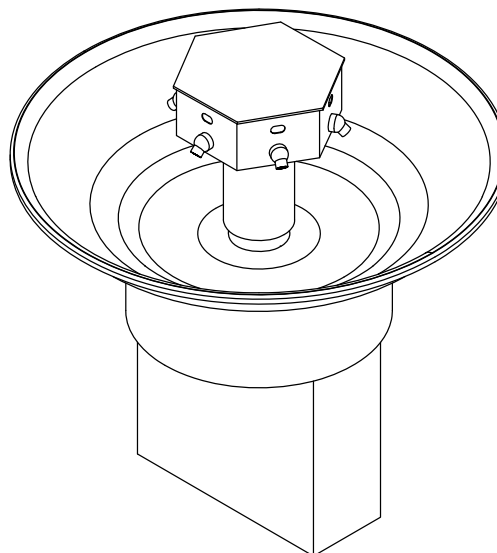


6 Station 42" Stainless Steel Deep Bowl Washfountain



✓	MODEL NUMBER	NUMBER OF STATIONS	PEDESTAL TYPE
	WWF-4206	6	FLOOR

Recommended Specifications

Stainless steel washfountain shall be Willoughby Model No. WWF-4206.

Washfountain shall accommodate from 1 to 6 users simultaneously. Washfountain bowl is constructed of **12 gauge stainless steel**. Pedestal and water distribution head shall be constructed of heavy gauge, type 304 stainless steel. Head cover shall be constructed of Aquasurf® solid surface material (gray-granite color). Exposed stainless steel surfaces shall be polished to a #4 satin finish. Pushbuttons and water spray nozzles shall be constructed of type 303 stainless steel. The sprayhead module shall be equipped with independent spray nozzles; each controlled by a separate pushbutton or infrared sensor. Flow restrictor shall maintain flow rates at 0.5 GPM per station. All washfountains shall be supplied with thermostatic mixing valves, check stops and strainers, drain spud, flexible supply hoses, control valves, color coded water lines, and Class II, 120/24 VAC plug-in transformer.* Operating supply water pressure range is 25-80 PSI. Unit is shipped pre-assembled.

Vandal Resistance:

All spray nozzles, pushbuttons, infrared sensors, and es-

cutcheons are secured to the unit from within the sprayhead. Valves, water supplies, and waste connections are concealed within the pedestal. The pedestal base is removable and secured with vandal resistant security torx screws.

ADA, TAS, UFAS and ANSI Compliant:

When the washfountain is mounted at standard 34" rim height, 2 stations are designed to comply with applicable ADA, TAS, UFAS and ANSI Z124.3 and Z124.6 accessibility guidelines. The remaining stations comply with most, but not all, accessibility guidelines.

Optional Features:

Willoughby washfountains offer liquid soap dispensers and stainless steel tops as optional accessories. Willoughby washfountains can also be supplied with a rim height of 28" for use by juveniles.

**Note: Plug-in transformer must be used with a ground fault interrupter (GFCI) receptacle to prevent possible electrical shock.*

Made In The **U.S.A.**



Visit our website at <http://www.willoughby-ind.com>

2210 West Morris Street • P.O. Box 21217 • Indianapolis, IN 46221

(317) 638-2381 • Fax: (317) 638-6110 • (800) 428-4065

MODEL NUMBER AND OPTIONS:

1.) Washfountain Type;

WWF

2.) Base Model Number:

4206 6 Sta

3.) Valve Selection:

PM1 Single Temp Pneu Metering

EL1 Single Temp Electronic

IR Infrared Sensor

4.) Water Supply:

SA Supply from above

SB Supply from below

SH Telescoping shroud
(for top supply only)

5.) Other Options:

LSD Liquid Soap Dispenser

JR Junior Height
(28" Rim Height)

SS Stainless Steel Cover

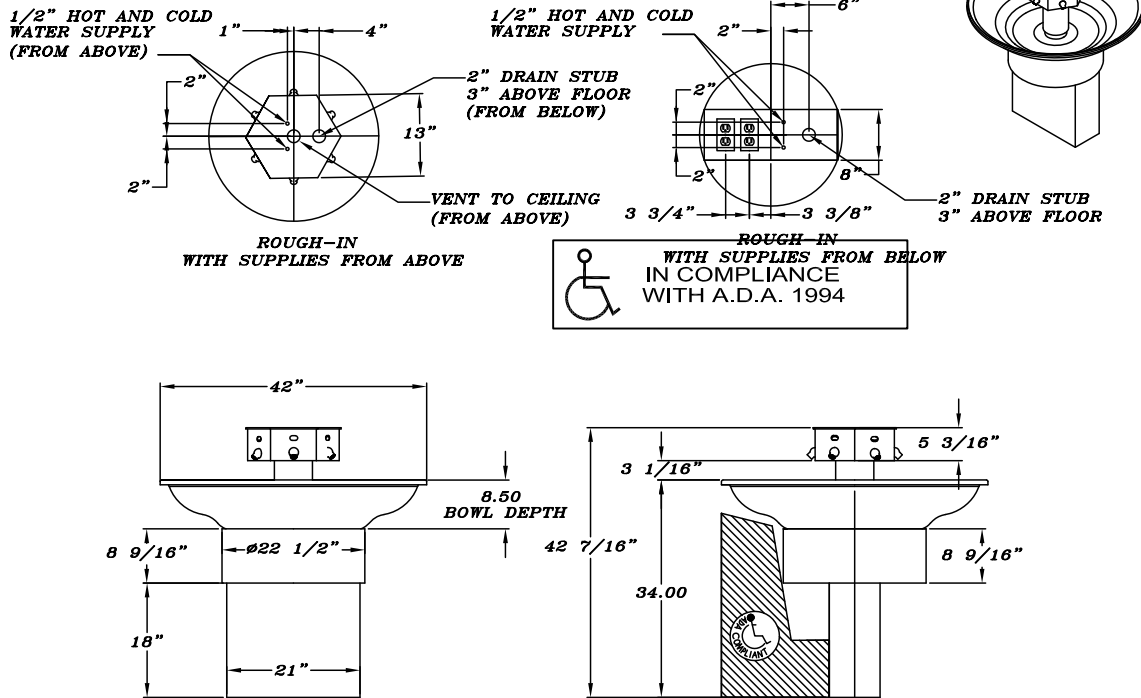
FO Foot Operated (Pneumatic)
(not ADA compliant)

Other _____

Other _____

Drawing Approved For Manufacturing By: _____ Date: _____ Company: _____
Wall Thickness: _____ Wall Type: _____

VERIFY ALL DIMENSIONS PRIOR TO ROUGH-IN



To specify fixture and accessories, use the Model Number and Options Guide.
Example: To specify a 42" stainless steel full round 6 station washfountain with infrared sensor, supplies from above with a telescoping shroud, and liquid soap dispenser, use the following Willoughby Model Number:
Willoughby Model Number: WWF-4206-SA-SH-IR-LSD

Willoughby Industries, Inc.

Made In The U.S.A.

