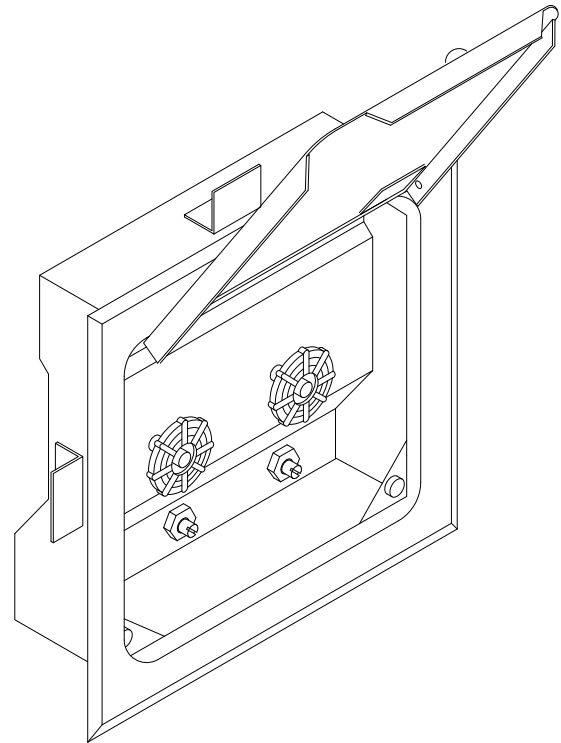


RSB Series Remote Supply Box

✓	MODEL NUMBER	DESCRIPTION
	RSB-8201	Dual Temp Remote Supply Box



Recommended Specifications

Remote Supply Box shall be Willoughby Model RSB-8201. Wall box to be type 304 stainless steel with exposed surfaces polished to a satin finish. Provide with removable stainless steel wall flange. Standard equipment shall include 1/2" compression valves, vacume breaker, and screwdriver stops.

Box is 18 gauge, type 304 stainless steel with a glass blast finish interior. Exterior of box includes mounting clips for anchoring box to the wall construction. Wall flange is 16 gauge, type 304 stainless steel and includes a removable locking door with cylinder lock. Exterior wall flange and door are polished to a satin finish.

Door is provided with cam and cylinder lock with key lock and two keys. Hinges are concealed type. Door can be easily removed after opening by releasing hinge pins with a screwdriver.

Valve and stop feature tamper-resistant lockshield bonnets and replaceable cartridges containing all wearing parts. Valve includes atmospheric vacuum breaker. Screwdriver stop allows servicing the control valve without shutting down the water supply. Supply inlet is 1/2" FIP.

Made In The U.S.A.



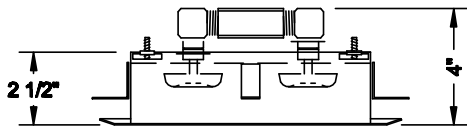
Visit our website at <http://www.willoughby-ind.com>

2210 West Morris Street • P.O. Box 21217 • Indianapolis, IN 46221

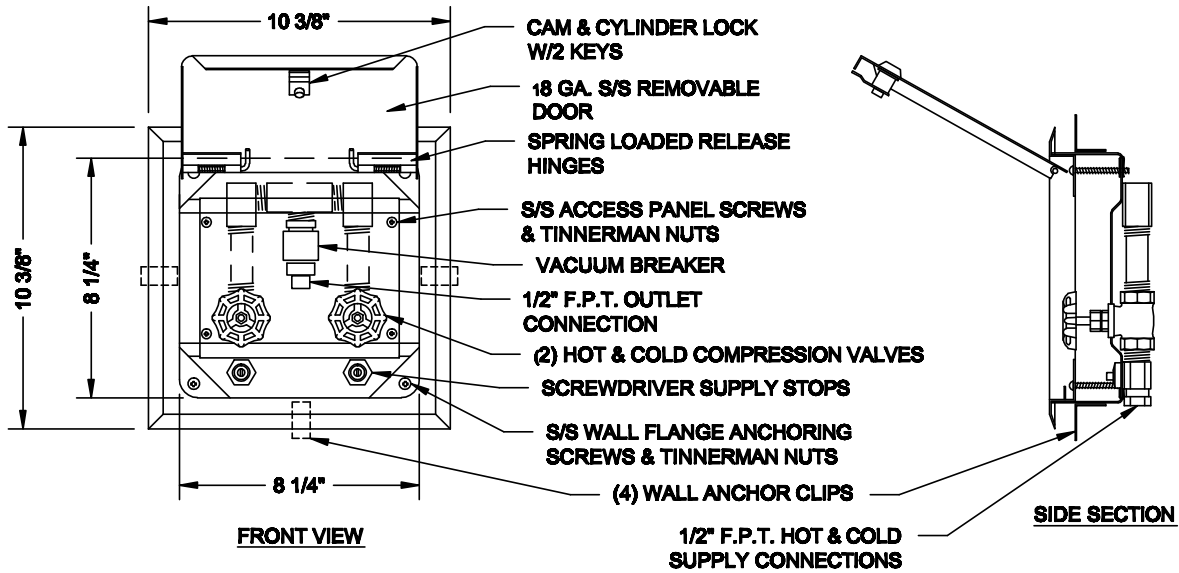
(317) 638-2381 • Fax: (317) 638-6110 • (800) 428-4065

MODEL NUMBER AND OPTIONS:

Drawing Approved For Manufacturing By: _____ Date: _____ Company: _____
 Wall Thickness: _____ Wall Type: _____



PLAN VIEW



Made In The U.S.A.



Willoughby Industries, Inc.