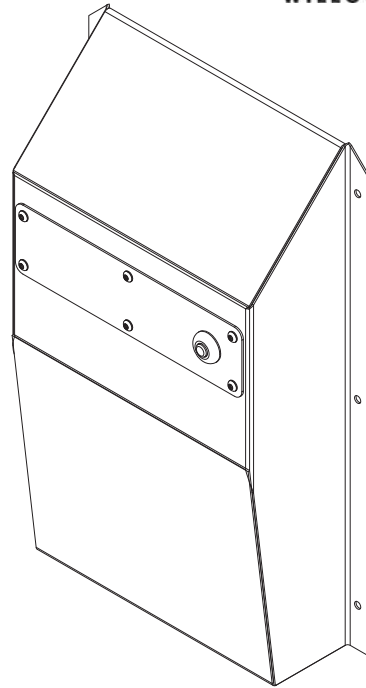


## ASUFVC Ligature-resistant Urinal Flush Valve Cover

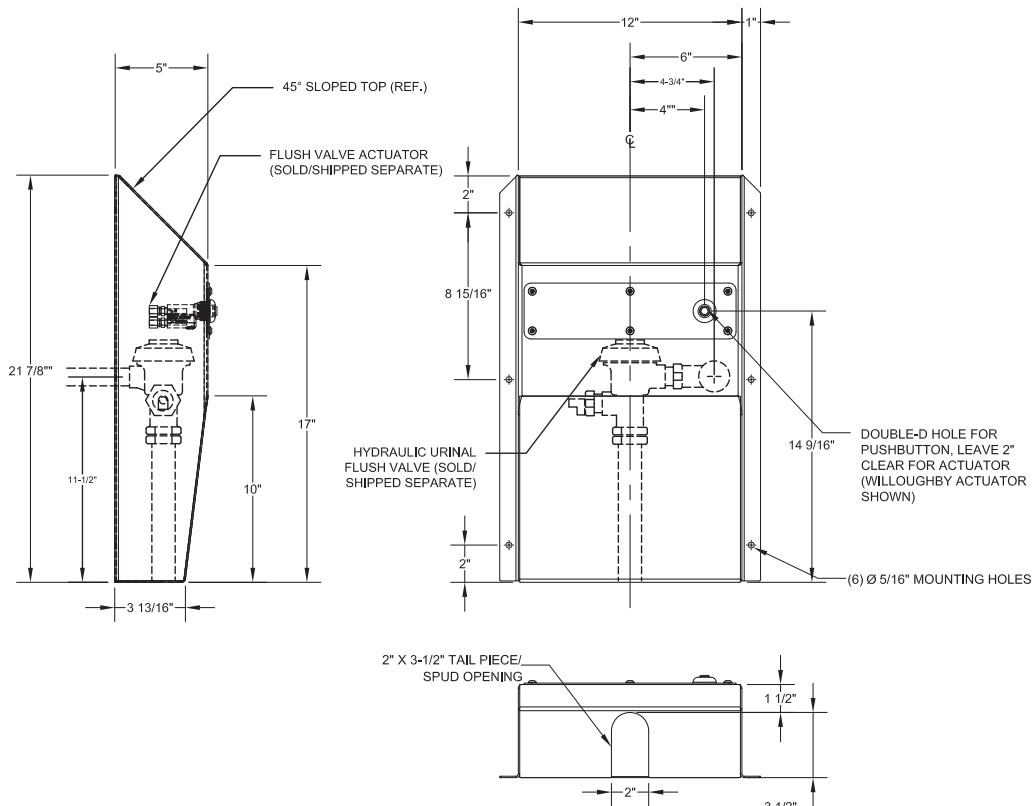


Stainless steel ligature-resistant urinal flush valve cover shall be:  
Willoughby Option No. **ASUFVC**

Urinal flush valve cover shall be fabricated from 14 GA, Type 304 stainless steel with exposed stainless steel surfaces polished to a #4 satin finish. Flush valve cover is supplied with  $\varnothing 5/16$ " mounting holes, anchoring hardware is provided by others. Flush valve cover shall have ligature-resistant sloped top and bottom and a single access cover with a single push button hole for right or left hand valve.

### Options:

- DC Decorator Color (Fixture exterior only- White)
- For use with Willoughby push button actuator (double 'D' hole required)
- For use with Sloan push button actuator ( $\varnothing 1-1/2$ " hole required)
- For use with another push button actuator (specify hole size: \_\_\_\_\_)



**WARNING: Cancer and Reproductive Harm**

- [www.P65Warnings.ca.gov](http://www.P65Warnings.ca.gov)

visit our website at [www.willoughby-ind.com](http://www.willoughby-ind.com)  
5105 West 78th Street • Indianapolis, IN. 46268  
(317) 875-0830 • Fax: (317) 875-0837 • (800) 428-4065



MADE IN THE U.S.A.