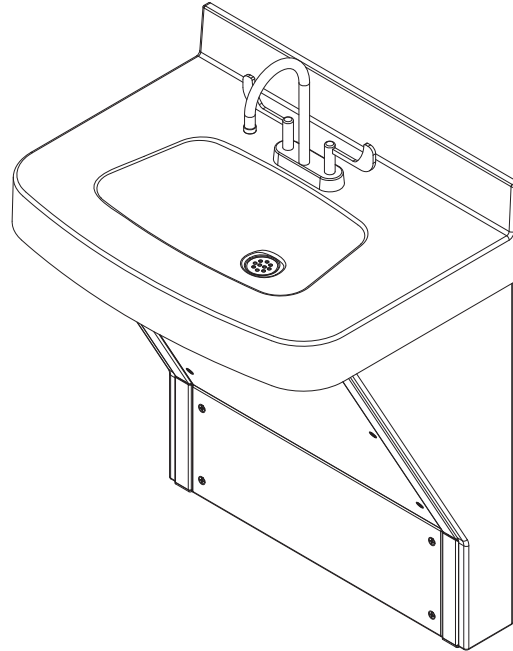


## BHS-3123 ADA-Compliant Solid Surface Bariatric Lavatory



To specify fixture and accessories, use the Model Number and Options page.

Example: To specify an ADA-Compliant, Solid Surface Bariatric Lavatory with a stainless steel pedestal, 4" CC, rigid 8" gooseneck, wristblade faucet, Sandstone color with Amati Walnut panels, and thermostatic mixing valve

Use the following Willoughby Model Number:  
**BHS-3123-WB1-SS-WL-TMV**

### Recommended Specifications

ADA-Compliant, Solid Surface Bariatric Lavatory shall be:  
Willoughby Model No: **BHS-3123**  
(Select from model number and options list on next page)

Floor mounted bariatric lavatory shall accommodate bariatric patient and be able to withstand a static downward force of 1,000 lbs at front edge of lavatory with no permanent physical damage.

Lavatory deck shall be constructed of Aquasur® molded cast polymer densified solid surface material composed of polyester/ acrylic resin, UV stabilizer, aluminum trihydrate, mineral fillers and antimicrobial additive\*. Lavatory deck shall have an integral "D-shaped" bowl with an integrally cast 4" cove backsplash and 4" apron included.

Lavatory pedestal shall be welded stainless steel; exterior panels shall be solid polymer. Optional wood grain exterior panels available.

Unit shall require no chase for installation and maintenance.

BHS-3123 Bariatric Lavatory shall be supplied with a 4"CC, rigid 8" gooseneck wristblade faucet; and an antimicrobial drain and offset tail piece\* (an optional antimicrobial trap is available). Optional infrared faucet models and thermostatic mixing valves are available.

#### ADA, TAS, UFAS, and ANSI Compliant:

Unit shall comply with IAPMO Z124 / CSA B45.5 requirements. It shall also comply with all applicable ADA, TAS, UFAS, and ANSI accessibility guidelines.

#### Mounting:

The lavatory shall be floor mounted with additional anchoring to back wall. Lavatory is designed to accommodate use of third party carrier should one be desired. (Carrier supplied by others). Proper backing and anchoring hardware for mounting of lavatory provided by others.

*\*Antimicrobial properties are built-in to inhibit the growth of bacteria that may affect this product. The antimicrobial properties do not protect users or others against bacteria, viruses, germs, or other disease organisms. Always use good hygienic cleaning practices.*



**WARNING:** Cancer and Reproductive Harm

- [www.P65Warnings.ca.gov](http://www.P65Warnings.ca.gov)

visit our website at [www.willoughby-ind.com](http://www.willoughby-ind.com)  
5105 West 78th Street • Indianapolis, IN. 46268  
(317) 875-0830 • Fax: (317) 875-0837 • (800) 428-4065



MADE IN THE U.S.A.

# MODEL NUMBER AND OPTIONS:

## 1.) Lavatory Model:

- BHS-3123 ADA-Compliant, Solid Surface Bariatric Lavatory

## 2.) Faucet:

- WB1 1.5 gpm, 4CC, Rigid 8" Gooseneck, Wristblade Faucet (Standard)  
 SSF Gooseneck Sensor Spout, Center Shank IR Operated, Laminar Flow (12v transformer is required)\*\*  
 SSFB Gooseneck Sensor Spout, Center Shank IR (Battery Operated), Laminar Flow  
 NV No Valve, No Faucet/Spout- Faucet by Others (Select Hole Punching if needed)

## 3.) Hole Drilling Selection (Faucet by Others):

**NOTE: If hole drilling is required, please submit faucet for approval**

- 4CC 4" Centerset, Ø1-1/4" Holes (Specify 2 or 3 holes:\_\_\_\_)  
 8CC 8" Centerset, Ø1-1/4" Holes (Specify 2 or 3 holes:\_\_\_\_)  
 1CC Center Shank, (1) Ø1-1/4" Hole  
 SP Special Punching/Drilling (Specify hole punching dim.)  
 SP: \_\_\_\_\_

## 4.) Lavatory Deck Colors:

- BN Bone  
 GW Glacier White  
 GG Grey Granite  
 SS Sandstone  
 WG White Granite  
 BG Black Granite  
 NB Nocturnal Blue  
 RC Red Coral  
 SG Sea Green

## 5.) Side Panels:

### Polymer Colors (Standard)

- AW Arctic White  
 SM Sea Foam  
 SN Sansshade (Almond)  
 WW White White

### Wood Grain Premium Colors (Optional- at additional cost)

- KM Kasei Maple  
 MW Majestic Walnut  
 WL Amati Walnut

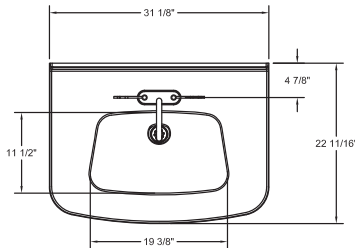
## 6.) Other:

- MT Wall Template  
 TMV Inline Thermostatic Mixing Valve  
 TF12PI 12v Plug-in Transformer (SSF faucet only)\*\*  
 TF12HW 12v Hard-wire Transformer (SSF faucet only)  
 AMT Antimicrobial Trap\*

**\*Antimicrobial properties are built-in to inhibit the growth of bacteria that may affect this product. The antimicrobial properties do not protect users or others against bacteria, viruses, germs, or other disease organisms. Always use good hygienic cleaning practices.**

\*\* (Req. 110V power through ground fault interrupter (GFCI) receptacle)

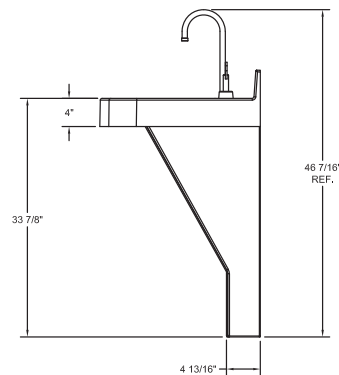
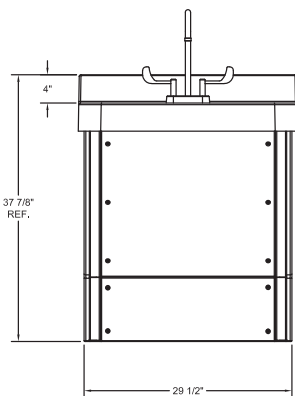
Approved For Manufacturing By: \_\_\_\_\_ Date: \_\_\_\_\_ Company: \_\_\_\_\_  
 Wall Thickness: \_\_\_\_\_ Wall Type: \_\_\_\_\_



NOTE: SINK BOWL AREA IS GREATER THAN 144 sq in.

**\*\* NOTICE: Faucet options for the BHS-3123 Bariatric Lavatory have been selected to specifically minimize splashing and aerosolization when used with the BHS-3123. Willoughby Industries will not be held liable for any unintended splashing resulting from use of a faucet not supplied by Willoughby Industries or without prior approval by Willoughby Industries.**

VERIFY ALL DIMENSIONS WITH FACTORY PRIOR TO ROUGH-IN  
 WILLOUGHBY RESERVES THE RIGHT TO MAKE CHANGES IN DESIGN AND DIMENSIONS WITHOUT FORMAL NOTICE AND WITHOUT INCURRING OBLIGATION.



visit our website at [www.willoughby-ind.com](http://www.willoughby-ind.com)  
 5105 West 78th Street • Indianapolis, IN. 46268  
 (317) 875-0830 • Fax: (317) 875-0837 • (800) 428-4065



MADE IN THE U.S.A.