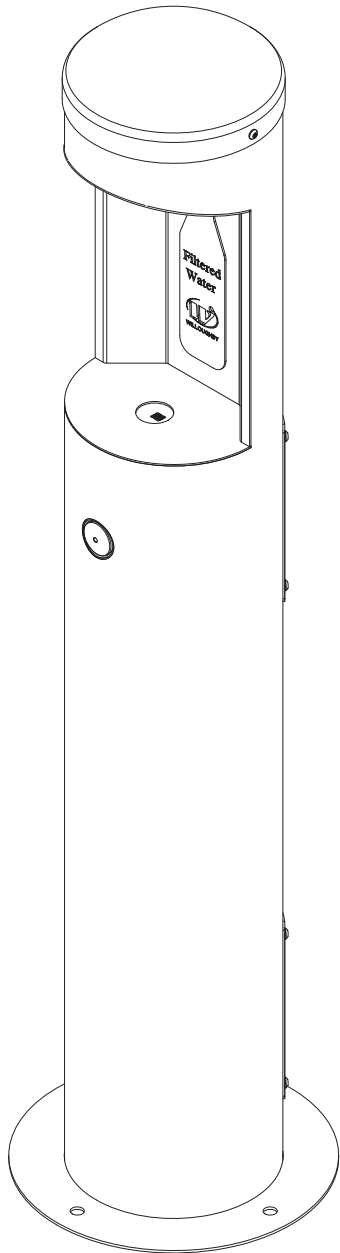


Installation & Operation Manual

CWBF Series

Outdoor Bottle Fillers Adjustable Push Button and Battery Operated Infrared



CWBF-1

Table of Contents

Pre-Installation Information.....	2
Standard Bottle Filler Configurations.....	3
Physical Dimensions	4
Rough-in Dimensions	5
Required Installation Supplies	6
Parts List and Exploded-view Drawings.....	7
Hardware Identification	10
Installation Instructions	
Step 1: Fixture Installation	11
Step 2A: Adjusting Drinking Spout Flow	12
Step 2B: Battery Operated Infrared Sensor Startup	12
Care and Maintenance	13
Troubleshooting	
Fixture Plumbing.....	14
Infrared Sensor.....	15
Drawings.....	
Physical Dimensions	16
Rough-in Dimensions	19
Push Button Details	21
Freeze Resistant Valve Installation Details.....	22
Warranty.....	25



Willoughby Industries, Inc.

5105 West 78th Street
Indianapolis, IN 46268
Toll Free: (800) 428-4065
Local: (317) 875-0830
Fax: (317) 875-0837
www.willoughby-ind.com

WILLOUGHBY

Rev. 10/2016

MADE IN THE U.S.A.



Pre-Installation Information

Installation notice!

Check Rough-In location **PRIOR** to installation

Flush lines thoroughly **PRIOR** to hook-up

When installing the **Willoughby Industries' CWBF Series** bottle filler system:

Before Step 1 of the installation instructions, ensure that rough-ins are in the correct location.

The valve assembly, including the spray head, **MUST NOT BE** connected until *after* all lines have been flushed to remove the small particles of debris that are inherent with new construction projects and all chemicals that are used in flushing are purged from the system.

Chemicals used in flushing plumbing systems can attack the internal components of the valve and spray head and severely damage them, so any flushing of the system must be followed by a full flushing with pure water to clear any harsh chemicals remaining in the system. Debris in the system if allowed to enter the valve assembly and spray head can cause poor performance or outright failure.

Again **DO NOT** attempt to connect the valve assembly and spray head until *after* all flushing is complete and pure water is the only media that will be passing through the system. Damage to the valve assembly or spray head caused by harsh chemicals or debris will not be covered by the manufacturer's warranty.

Any fittings provided by the installer should be made of plastic to electrically isolate the unit from the building or connected plumbing system.

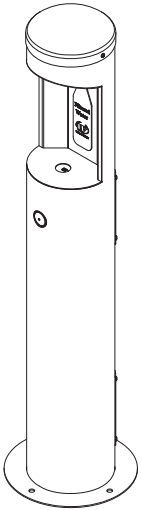
The grounding of electric equipment such as telephones, computers, etc, to water lines is a common procedure. This grounding can cause electrical feedback into a water fountain or similar fixture, causing electrolysis, which results in a metallic taste or an increase in the metal content of the water. This can easily be avoided by using the proper materials as indicated.

Installation notice!

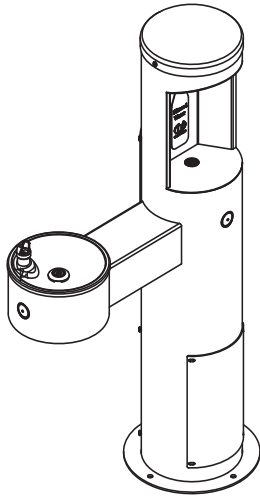
Check Rough-In location **PRIOR** to installation

Flush lines thoroughly **PRIOR** to hook-up

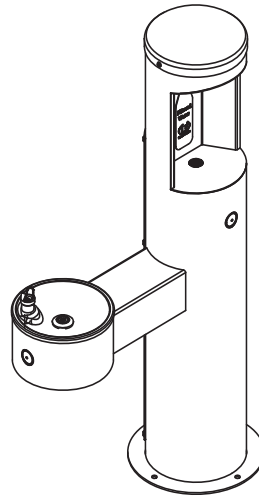
Standard Bottle Filler Configurations- CWBF Series



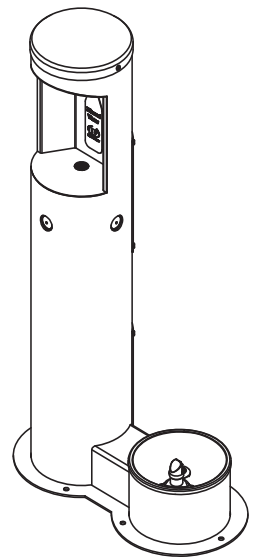
CWBF-1



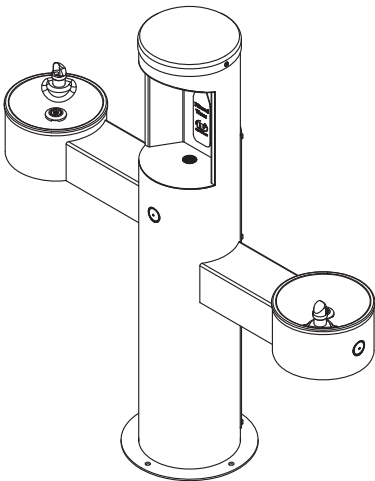
CWBF-2-RPB-HC



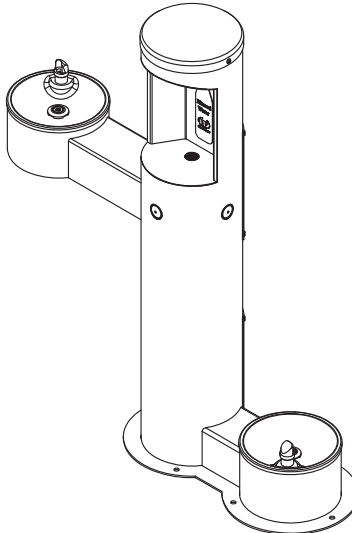
CWBF-2-RPB-CHD



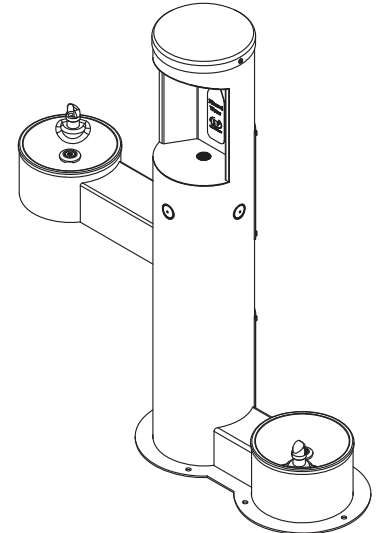
CWBF-2-RPB-PET



CWBF-3-RPB-HC-CHD



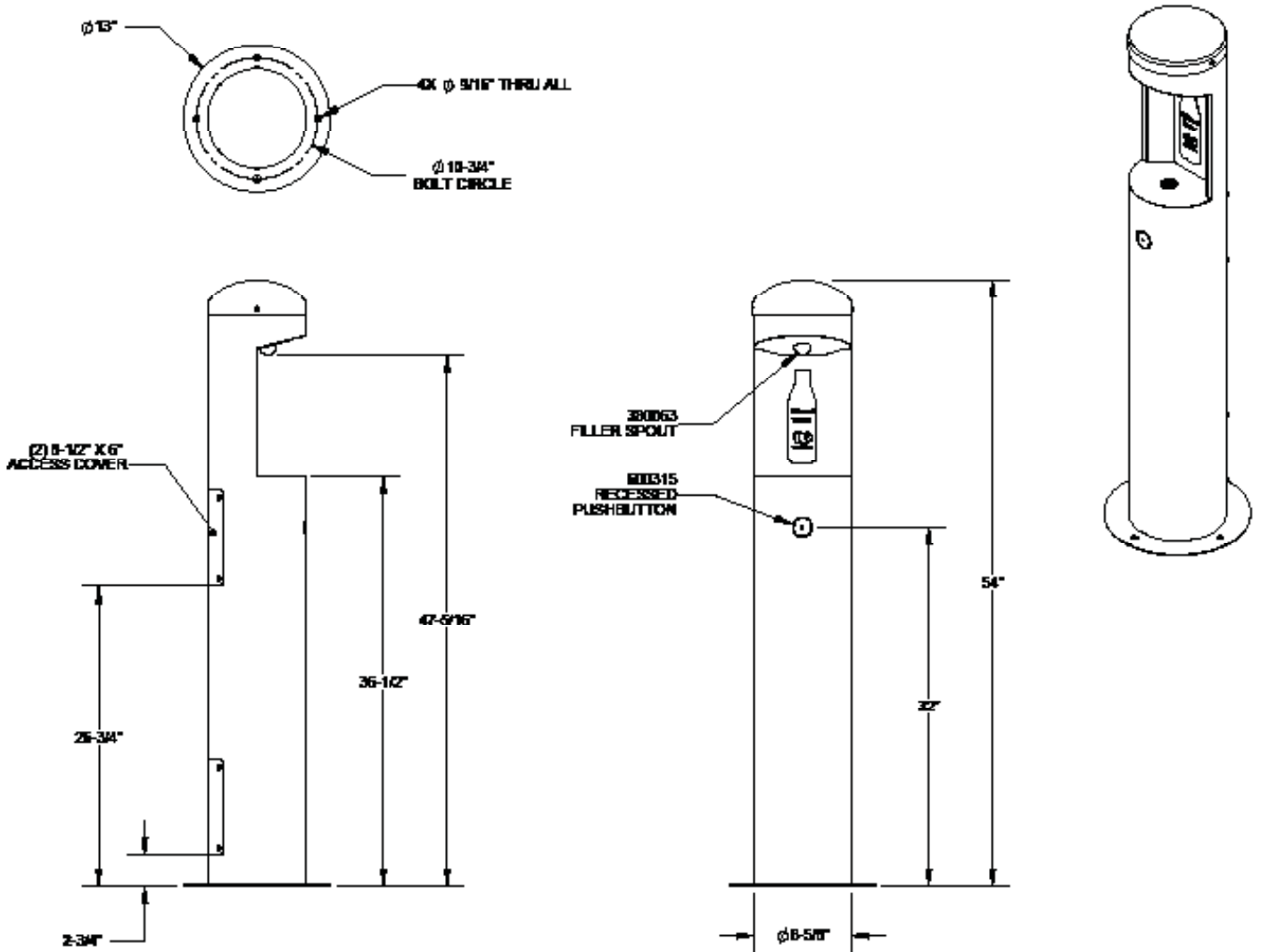
CWBF-3-RPB-HC-PET



CWBF-3-RPB-CHD-PET

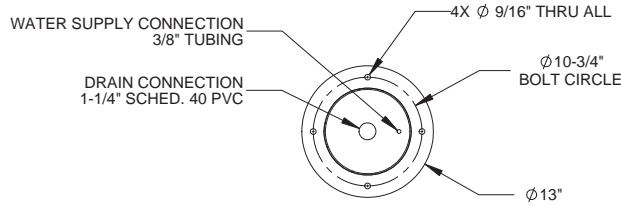
Physical Dimensions- CWBF-1

*CWBF-1 shown; for CWBF-2 and CWBF-3 model variations, refer to factory drawings. Contact Willoughby Ind. if further information is needed.



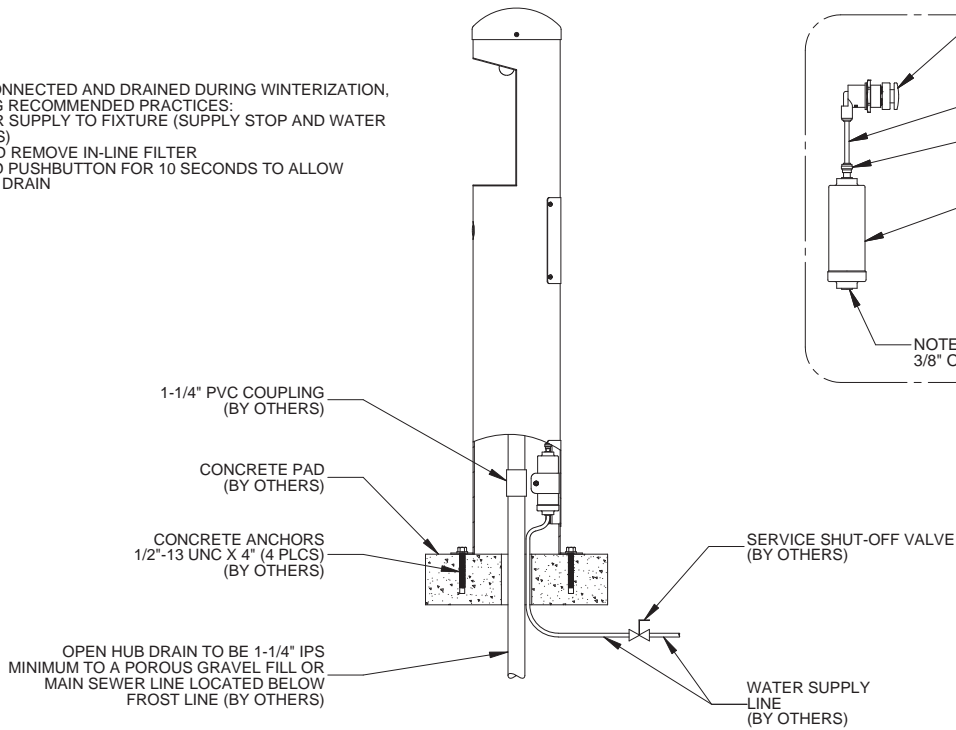
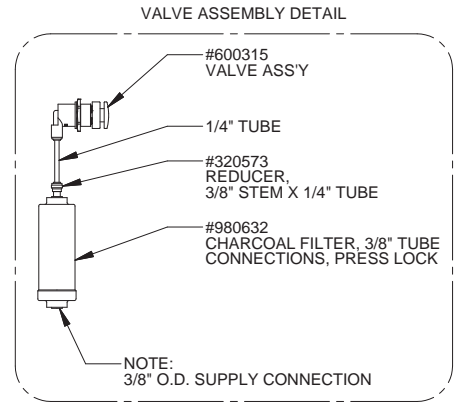
Rough-In Dimensions- CWBF-1

***CWBF-1 shown; for CWBF-2 and CWBF-3 model variations, refer to factory drawings. Contact Willoughby Ind. if further information is needed.**



NOTE:
UNIT MUST BE DISCONNECTED AND DRAINED DURING WINTERIZATION, PER THE FOLLOWING RECOMMENDED PRACTICES:

- SHUT OFF WATER SUPPLY TO FIXTURE (SUPPLY STOP AND WATER LINES BY OTHERS)
- DISCONNECT AND REMOVE IN-LINE FILTER
- PRESS AND HOLD PUSHBUTTON FOR 10 SECONDS TO ALLOW WATER LINES TO DRAIN

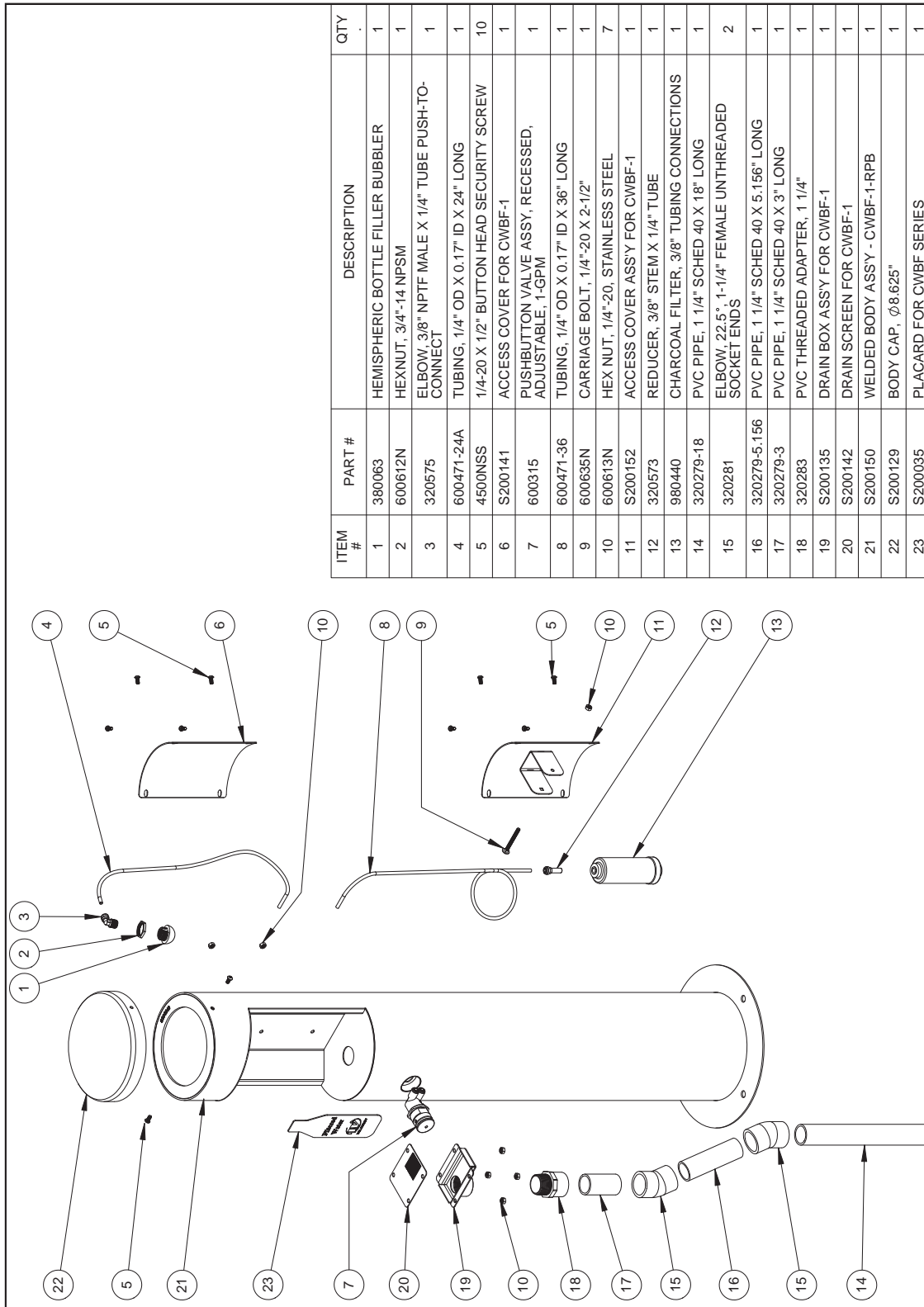


Required Installation Supplies

- Proper mounting hardware
- Proper plastic fittings as indicated
- Hardware for waste outlet connections
- Gasket for waste outlet connection
- Shims (for installation if necessary)
- Supply piping
- Silicone caulk
- Plumbers putty

WARNING: Willoughby Industries does not assume any responsibility for personal injury or damage to equipment due to an improperly installed CWBF Series Bottle Filler

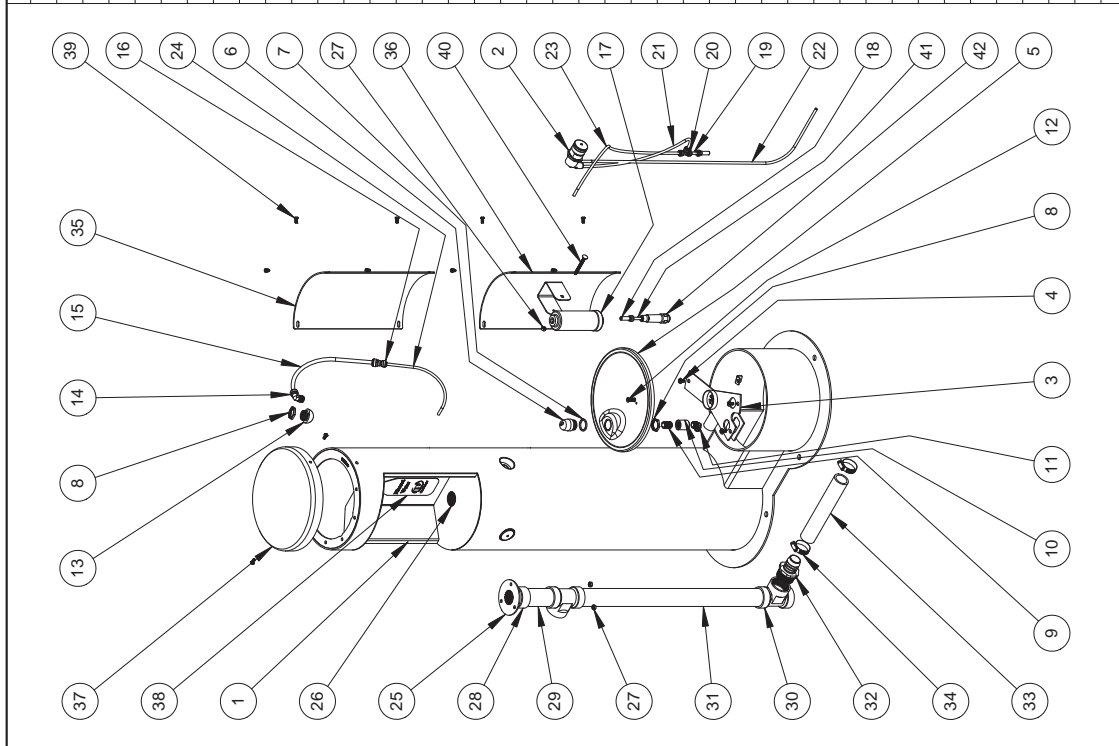
Parts List and Exploded-view Drawing- CWBF-1



ITEM #	PART #	DESCRIPTION	QTY
1	380063	HEMISPHERIC BOTTLE FILLER BUBBLER	1
2	600612N	HEX NUT, 3/4"-14 NPSM	1
3	320575	ELBOW, 3/8" NPTF MALE X 1/4" TUBE PUSH-TO-CONNECT	1
4	600471-24A	TUBING, 1/4" OD X 0.17" ID X 24" LONG	1
5	4500NSS	1/4-20 X 1/2" BUTTON HEAD SECURITY SCREW	10
6	S200141	ACCESS COVER FOR CWBF-1	1
7	600315	PUSHBUTTON VALVE ASSY, RECESSED, ADJUSTABLE, 1-GPM	1
8	600471-36	TUBING, 1/4" OD X 0.17" ID X 36" LONG	1
9	600635N	CARRIAGE BOLT, 1/4"-20 X 2-1/2"	1
10	600613N	HEX NUT, 1/4"-20, STAINLESS STEEL	7
11	S200152	ACCESS COVER ASSY FOR CWBF-1	1
12	320573	REDUCER, 3/8" STEM X 1/4" TUBE	1
13	980440	CHARCOAL FILTER, 3/8" TUBING CONNECTIONS	1
14	320279-18	PVC PIPE, 1 1/4" SCHED 40 X 18" LONG	1
15	320281	ELBOW, 22.5°, 1-1/4" FEMALE UNTHREADED SOCKET ENDS	2
16	320279-5.156	PVC PIPE, 1 1/4" SCHED 40 X 5.156" LONG	1
17	320279-3	PVC PIPE, 1 1/4" SCHED 40 X 3" LONG	1
18	320283	PVC THREADED ADAPTER, 1 1/4"	1
19	S200135	DRAIN BOX ASSY FOR CWBF-1	1
20	S200142	DRAIN SCREEN FOR CWBF-1	1
21	S200150	WELDED BODY ASSY - CWBF-1-RPB	1
22	S200129	BODY CAP, Ø8.625"	1
23	S200035	PLACARD FOR CWBF SERIES	1

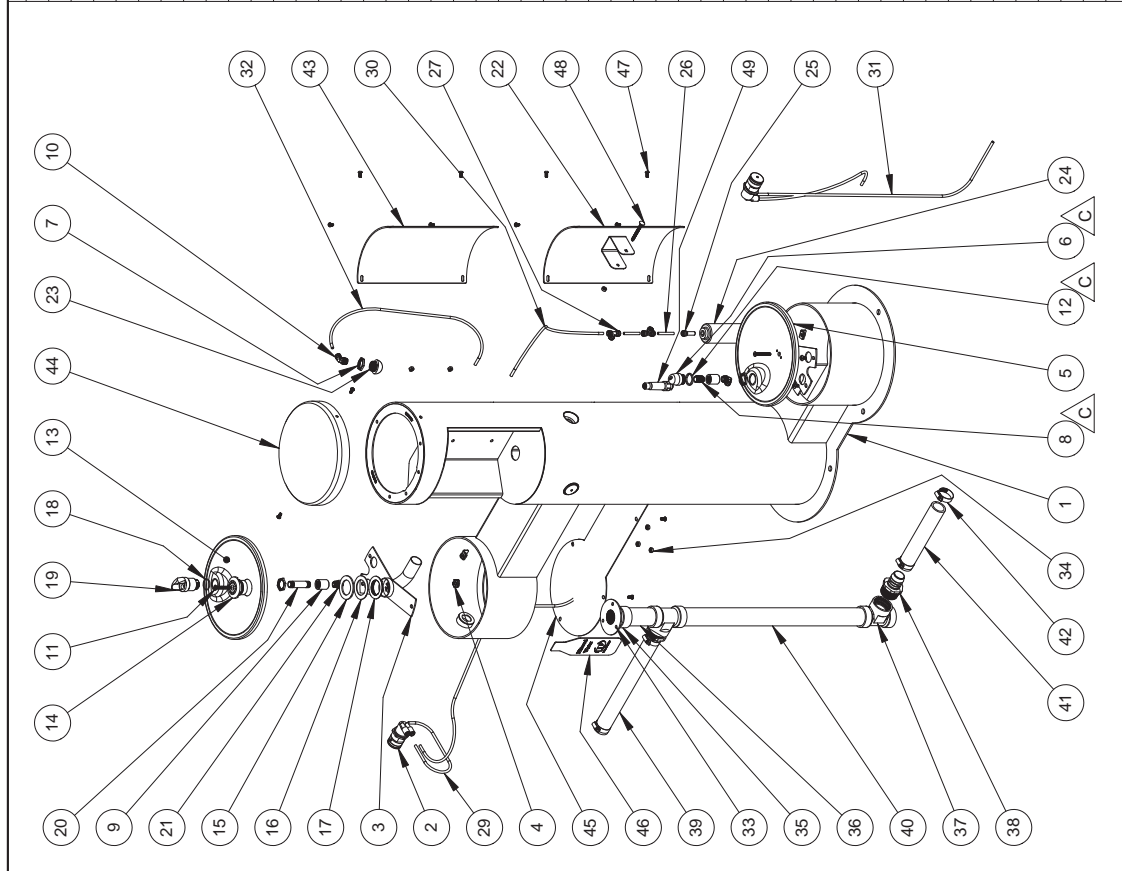
Parts List and Exploded-view Drawing- CWBF-2-PET

ITEM #	PART #	DESCRIPTION	QTY.
1	S200188	WELDED BODY ASSY - CWBF-2-RPB-PET	1
2	600315	VALVE ASSEMBLY, ADJUSTABLE	2
3	S200034	RECEPTOR SUPPORT ASSEMBLY w/DRAIN ELBOW	1
4	800144	1/4"-20 X 1/2" PHILLIPS TRUSS HEAD SCREW	3
5	S200237	PET BOWL - 1-3/4" DEPTH	1
6	380056	(PBB) 30 DEG. PET BOWL BUBBLER	1
7	S200290	SPACER, BUBBLER MOUNTING	1
8	600612N	HEX NUT, 3/4"-14 NPSM	2
9	320478	NIPPLE 3/8" x 1.0" T304 SS	1
10	320091	COUPLING, 3/8" FPT STAINLESS STEEL	1
11	320575	ELBOW, 3/8" NPTF MALE X 1/4" TUBE PUSH-TO-CONNECT	1
12	4509SSN	1/4"-20 x 2" FH SECURITY SCREW	1
13	380063	HEMISPHERIC BOTTLE FILLER BUBBLER	1
14	320401	ELBOW, 3/8" NPTF MALE X 3/8" TUBE PUSH-TO-CONNECT	1
15	600523-12A	TUBING, 1/4" OD X 0.17" ID X 24" LONG	1
16	320448	UNION, 3/8" X 1/4" TUBE, PUSH-IN TYPE	1
17	980440	CHARCOAL FILTER, 3/8" TUBING CONNECTIONS	1
18	320573	REDUCER, 3/8" STEM X 1/4" TUBE	2
19	600471	TUBING, 1/4" O.D. X 0.17" I.D. X 2" LONG	1
20	320438	TEE, 1/4" PUSH-TO-CONNECT	1
21	600471-32	TUBING, 1/4" OD X 0.17" ID X 32" LONG	1
22	600471-35	TUBING, 1/4" OD X 0.17" ID X 33" LONG	1
23	600471-24D	TUBING, 1/4" OD X 0.17" ID X 32" LONG	1
24	600471-12A	TUBING, 1/4" OD X 0.17" ID X 24" LONG	1
25	S200116	BOTTLE FILLER DRAIN ASSY	1
26	S200120	DRAIN SCREEN FOR CWBF-2 / CWBF-3	1
27	600613N	HEX NUT, 1/4"-20, STAINLESS STEEL	6
28	320284	PVC THREADED ADAPTER, 1-1/2"	1
29	320280-4.6875	PVC PIPE, 1-1/2" SCHED. 40 X 4-11/16" LONG	1
30	320282	CLEANOUT TEE, 1-1/2" PVC	2
31	320280-24.625	PVC PIPE, 1-1/2" SCHED. 40 X 24-5/8" LONG	1
32	320286	BARB ADAPTER, 1-1/2" MIP X 1-1/4" PVC	1
33	320288	NYLABRAID REINFORCED VINYL TUBING, 1-1/4" X 8.75" LONG	1
34	980617	WORM GEAR PIPE CLAMP, 2"	2
35	S200076	ACCESS COVER - 14" X 8-1/2"	1
36	S200163	FILTER ACCESS COVER ASSY FOR CWBF-2 / CWBF-3	1
37	S200113	BOTTLE FILLER CAP, 10-3/4"	1
38	S200035	PLACARD FOR CWBF SERIES	1
39	4500NSS	1/4"-20 X 1/2" BUTTON HEAD SECURITY SCREW	10
40	600635N	CARRIAGE BOLT, 1/4"-20 X 2-1/2"	1
41	600471-12	TUBING, 1/4" O.D. X 0.17" I.D. X 12" LONG	1
42	980632	STRAINER, IN-LINE, 1/4 TO 3/8 PRESS LOCK	1

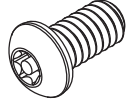


Parts List and Exploded-view Drawing- CWBF-3-HC-PET

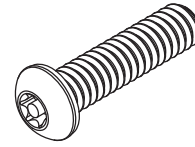
ITEM #	PART #	DESCRIPTION	QTY.
1	S200166	WELDED BODY - CWBF-3-RPB-HC-PET	1
2	600315	VALVE ASSEMBLY, ADJUSTABLE	3
3	S200034	RECEPTOR SUPPORT ASSEMBLY w/DRAIN ELBOW	2
4	800144	1/4-20 X 1/2" PHILLIPS TRUSS HEAD SCREW	6
5	S200237	PET BOWL - 1-3/4" DEPTH	1
6	380056	(PBB) 30 DEG. PET BOWL BUBBLER	1
7	600612N	HEX NUT, 3/4"-14 NPSM	3
8	320478	NIPPLE 3/8" X 1.0" T304 SS	1
9	320081	COUPLING, 3/8" FPT STAINLESS STEEL	2
10	320575	ELBOW, 3/8" NPTF MALE X 1/4" TUBE PUSH-TO-CONNECT	2
11	4509SSN	1/4"-20 X 2" FH SECURITY SCREW	2
12	S200290	SPACER, BUBBLER MOUNTING	1
13	S200033	ADA BOWL - 1-3/4" DEPTH	1
14	380284	DRAIN, 1-1/2"	1
15	380274	GASKET FOR 1-1/2" DRAINS	1
16	380273	DRAIN WASHER, 1-5/8"	1
17	600043	NUT, 1 5/8"-12 THD FOR 1-1/2" DRAIN	1
18	600116	O-RING, #023, Buna N-70	1
19	600601HE	(CDB) DECK MOUNTED DRINKING FOUNTAIN BUBBLER	1
20	320469	NIPPLE, 3/8" NPT X 2.5" LONG	1
21	320437	ADAPTER, 3/8" NPTF MALE X 1/4" TUBE PUSH-TO-CONNECT	1
22	S200163	FILTER ACCESS COVER ASSY FOR CWBF-2 / CWBF-3	1
23	380063	HEMISPHERIC BOTTLE FILLER BUBBLER	1
24	980440	CHARCOAL FILTER, 3/8" TUBING CONNECTIONS	1
25	320573	REDUCER, 3/8" STEM X 1/4" TUBE	1
26	600471	TUBING, 1/4" O.D. X 0.17" I.D. X 2' LONG	2
27	320438	TEE, 1/4" PUSH-TO-CONNECT	2
28	600471-48	TUBING, 1/4" OD X 0.17" ID X 48" LONG	1
29	600471	TUBING, 1/4" OD X 0.17" ID X 18" LONG	1
30	600471-32	TUBING, 1/4" OD X 0.17" ID X 32" LONG	2
31	600471-35	TUBING 1/4"OD X .170"ID X 33" LONG	1
32	600471-24B	TUBING 1/4" OD X 0.17" ID X 24" LONG	1
33	S200116	BOTTLE FILLER DRAIN ASSY	1
34	600613N	HEX NUT, 1/4"-20, STAINLESS STEEL	6
35	320284	PVC THREADED ADAPTER, 1-1/2"	1
36	320280-4.75	PVC PIPE, 1-1/2" SCHED. 40 X 4-3/4" LONG	1
37	320282	CLEANOUT TEE, 1-1/2" PVC	2
38	320286	BARB ADAPTER, 1-1/2" MIP X 1-1/4" PVC	2
39	320288-14	NYLABRAID REINFORCED VINYL TUBING, 1-1/4" X 14" LONG	1
40	320280-24.625	PVC PIPE, 1-1/2" SCHED. 40 X 24-5/8" LONG	1
41	320288	NYLABRAID REINFORCED VINYL TUBING, 1-1/4" X 8.75" LONG	1
42	980617	WORM GEAR PIPE CLAMP, 2"	4
43	S200076	ACCESS COVER - 14" X 8-1/2"	1
44	S200113	BOTTLE FILLER CAP, 10-3/4"	1
45	S200075	OUTER BOTTOM COVER - ADA / CHILD	1
46	S200035	PLACARD FOR CWBF SERIES	1
47	4500NSS	1/4-20 X 1/2" BUTTON HEAD SECURITY SCREW	15
48	600635N	CARRIAGE BOLT, 1/4"-20 X 2-1/2"	1
49	980632	STRAINER, IN-LINE, 1/4 TO 3/8 PRESS LOCK	1



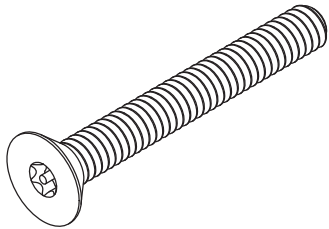
Hardware Identification Chart



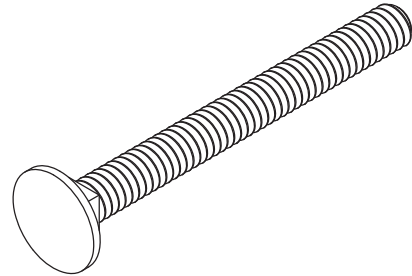
1/4-20 x 1/2"
SECURITY SCREW
4500NSS



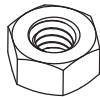
1/4-20 x 1"
SECURITY SCREW
800114



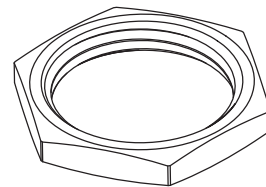
1/4"-20 x 2"
FLAT HEAD SECURITY SCREW
4509SSN



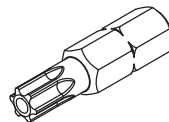
1/4"-20 x 2-1/2"
CARRIAGE BOLT
600635N



1/4"-20 HEX NUT
600613N



3/4" NPT
BRASS LOCKNUT
600612N



T27
1/4" PINNED TORX BIT
800115

Installation Instructions

Step 1: Fixture Installation

Note: the WODF outdoor drinking fountain is to be mounted on a flat, level surface (concrete or otherwise) with an adequate support structure.

Note: refer to Rough-In Dimensions for locating plumbing connections.

- 1.) Install service shut-off valve in water supply line (valve not furnished).
- 2.) Locate and install bottle filler using 1/2"-13 x 4" concrete anchors (anchors not furnished).
- 3.) As noted previously, flush the water supply line with clean drinking water before making final connections to the drinking fountain.
- 4.) Connect water supply line to inline strainer inside drinking fountain using 3/8" plastic tubing (extra tubing not furnished). Push tube straight into fitting on filter about 3/4" until it reaches a positive stop. Water supply connection must comply with local codes.
- 5.) Connect the drain line to drainage system. Drain is to be 1-1/2" IPS minimum to a porous gravel fill or main sewer line located below frost line. Installer to provide waste trap downstream of drain connection. Drain and waste trap must comply with local codes.
- 6.) Turn on water supply and check both the water supply lines and drain lines for leaks.*

*If you have a Push Button model fountain or bottle filler, go to **Step 2A**

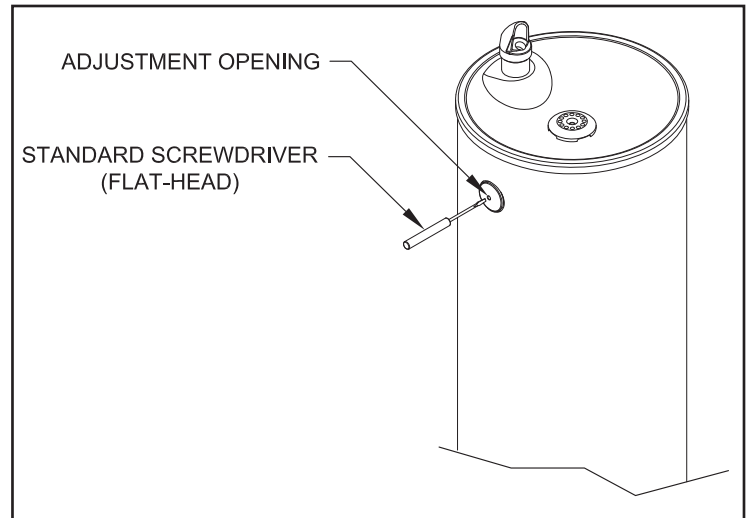
If you have a Battery Operated Infrared Sensor model bottle filler, go to **Step 2B**

Installation Instructions (cont.)

Step 2A: Adjusting Drinking Fountain Flow

- 1.) Insert a standard flat-head screwdriver into adjustment opening on face of pushbutton, as shown.
- 2.) Rotate screwdriver to adjust until desired flow is achieved:

Rotate clockwise to increase flow.
Rotate counterclockwise to decrease flow.



(WODF-1 shown)

Step 2B: Battery Operated Infrared Sensor Startup

- 1.) Remove the bottle filler body cap on the top of the fixture.
- 2.) Open the top of the battery box and insert 4X batteries. Replace the battery box, and check that all sensor, battery box, and valve connections are secure.
- 3.) Replace the body cap once the IR sensor has completed the start-up mode.

Care and Maintenance

Unit Care

Willoughby Industries' CWBF Outdoor Bottle Fillers are not freeze resistant without the FRV Freeze Resistant Valve option. The unit should be disconnected or shut off from the water supply and drained during the colder months. For more information, refer to the rough-in detail.

The charcoal water filter should be replaced every 6-12 months, depending on water quality. New charcoal filters can be ordered using Willoughby Part No. 980440.

Stainless Steel Care

Stainless Steels are basically alloys of iron and chromium and are corrosion resistant. Stainless steel has a bright surface that is easy to clean and is free from oxides. Therefore, cleaning of stainless steel is relatively simple and easy if done on a regular basis.

Frequency of cleaning should depend on the rate at which the fixture becomes dirty. Remember that fresh (soft) deposits of all kinds are relatively easy to remove, while removing older (hard) deposits are much more difficult. Establish a cleaning SCHEDULE.

Routine cleaning should involve ordinary soap or detergent and water, applied with a sponge, brush or cloth. Baking soda, borax or any of several non-abrasive commercial cleansing agents can help hasten the cleaning action. After scrubbing, rinse THOROUGHLY and wipe dry.

DO NOT use common steel wool, scouring pads, scrapers, wire brushes, files or other steel tools to clean stainless steel. Such items will scratch the surface or leave small particles of iron imbedded in the surface, which will eventually rust and stain the surface - even appearing as if the stainless itself was rusting.

Certain chemical compounds, if used on stainless steel, can give the appearance of rust and if allowed to stand for long periods of time, can pit the surface of even stainless. Products containing hydrochloric acid, muriatic acid or potassium hydrochloride can ruin the surface.

Troubleshooting- Fixture Plumbing

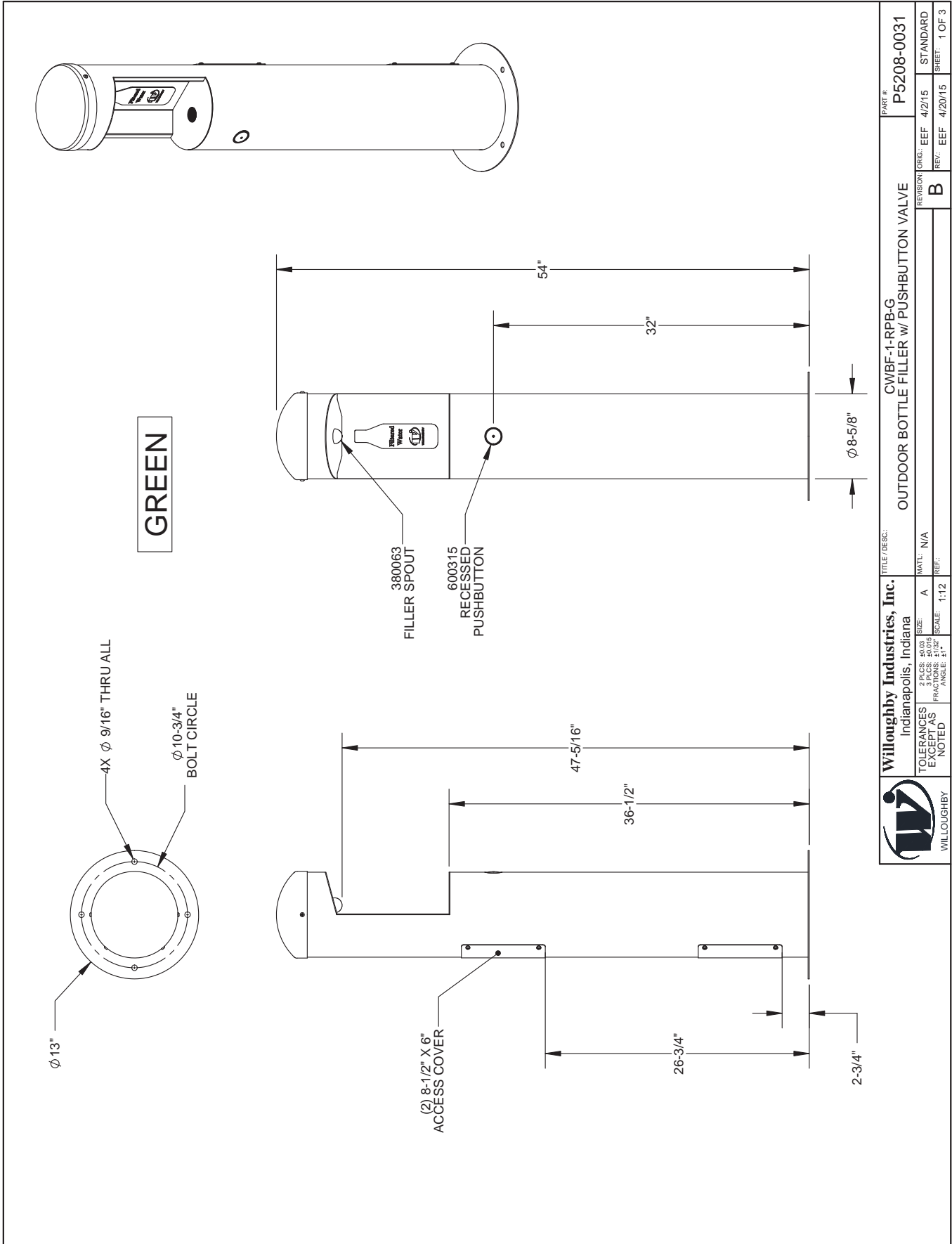
- I. Insufficient Flow
 - A. Ensure the service shut-off valve is fully open (provided by installer).
 - B. Ensure water supply is within the normal operating range of 40-60 psi.
 - 1. If pressure is too low, flow can be drastically reduced.
 - 2. If pressure is too high, the strainer and/or valve may have been damaged.
 - 3. The unit is rated for a maximum range of 30-105 psi.
 - C. Inspect the unit's valve for damage, and replace if necessary.
 - D. Inspect the inline strainer for damage and/or clogging, and clean or replace as necessary.
 - E. Check all fittings and tubing for damage and leaks. Replace components as necessary.

- II. Unit has problems draining
 - A. Remove and clean the drain screen.
 - B. Remove any debris from the drain.
 - C. Remove any debris from the PVC pipe and fittings.
 - D. Check and clear the waste trap (provided by installer).

Troubleshooting - Infrared Sensor

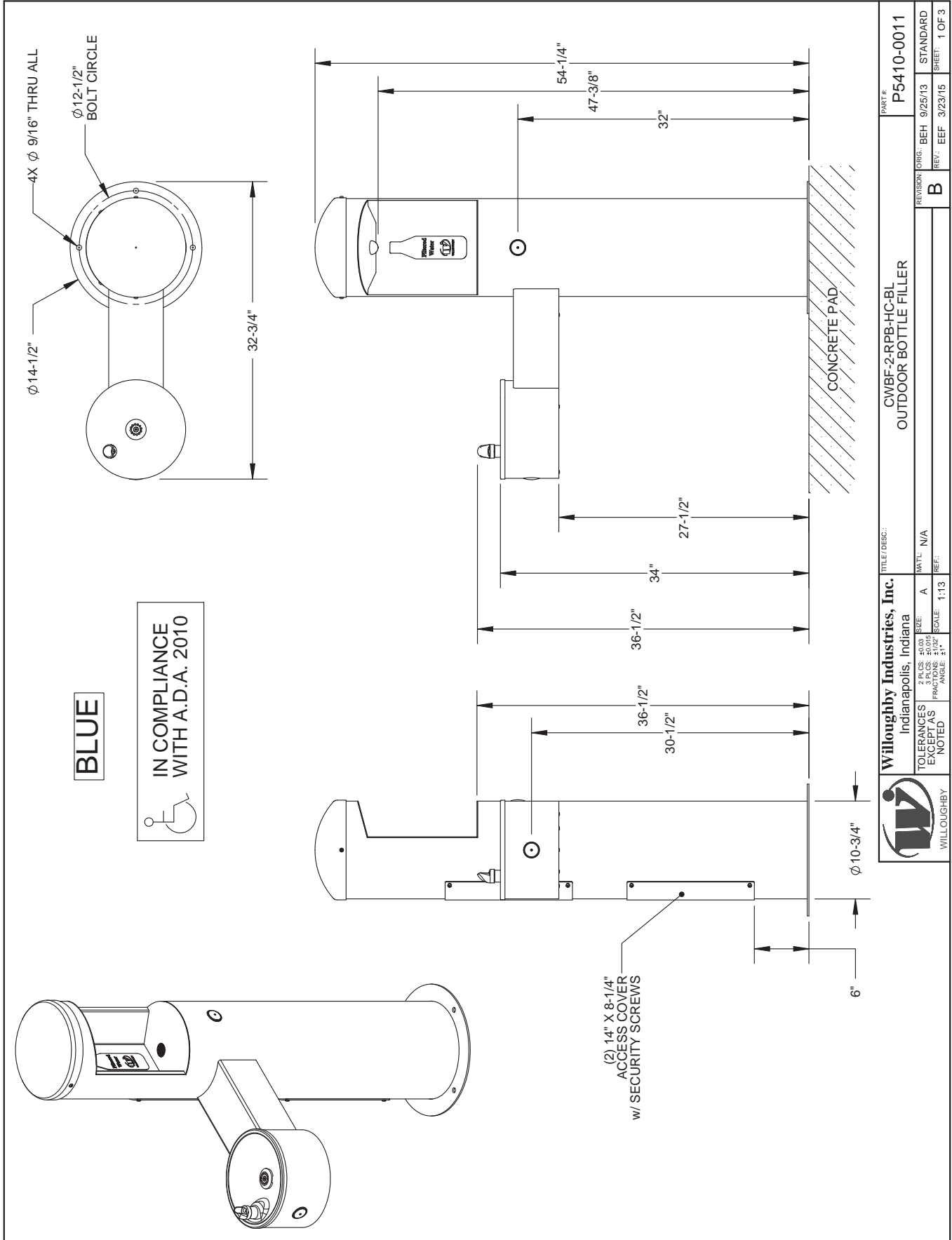
- I. Bottle filler does not function (red light does not appear when user steps in front of sensor)
 - A. No power to sensor. Make certain that power is on. Check battery power levels, contacts and connections. Repair or replace as necessary.
 - B. Willoughby IR Sensor not operating. Replace Willoughby IR Sensor (Part# 380188-1)
- II. Bottle filler does not function (red light appears when user steps in front of sensor and solenoid does not click)
 - A. Debris in solenoid; disassemble, clean, and flush.
 - B. Solenoid not wired correctly; check solenoid connections.
 - C. Solenoid problem; replace solenoid.
- III. No water when activated (valve clicks)
 - A. Make certain that water is turned on.
 - B. Valve clogged. Clean or replace filter.
- IV. Very low flow or slow dribble
 - A. Check supply stop(s); open if closed.
 - B. Debris in filter; remove, clean, and reinstall.
 - C. Debris in aerator or spray head; remove, clean and reinstall.
 - D. Disassemble solenoid; clean and flush.
- V. Continues to run (with power on and red light flashing)
 - A. Non-permanent target in range after user leaves. Remove non-permanent target. If this target is a new permanent target (i.e., a new wall or partition), remove batteries for fifteen (15) seconds. Turn power back on and let the sensor complete start-up mode.
 - B. Sensor failure; replace sensor.
- VI. Continues to run (even with power disconnected)
 - A. Solenoid valve installed backwards.
 - B. Debris in solenoid, won't close properly; remove operator and clean. Reassemble in the same manner.

DRAWING: Physical Dimensions



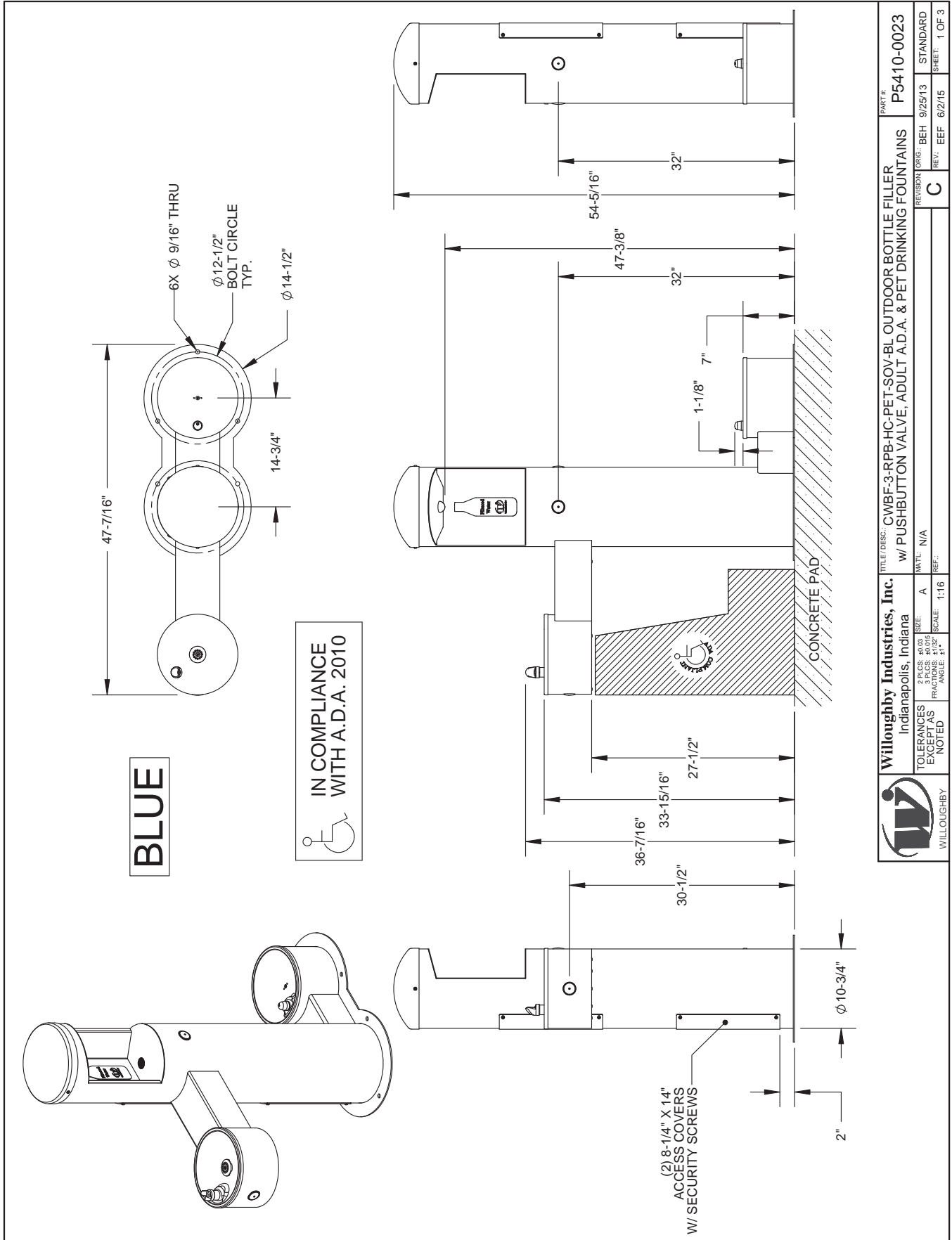
 Willoughby Industries, Inc. Indianapolis, Indiana TOLERANCES EXCEPT AS NOTED	TITLE / DESC.: CWBF-1-RPB-G OUTDOOR BOTTLE FILLER w/ PUSHBUTTON VALVE		PART #: P5208-0031	
	2 P.C.S. #0.05 2 P.C.S. #0.15 1 P.C.S. #1.0 1 P.C.S. #1.0	SIZE: A	MATL.: N/A	REVISION: DRG.: EEF 4/2/15 REV.: EEF 4/20/15

DRAWING: Physical Dimensions



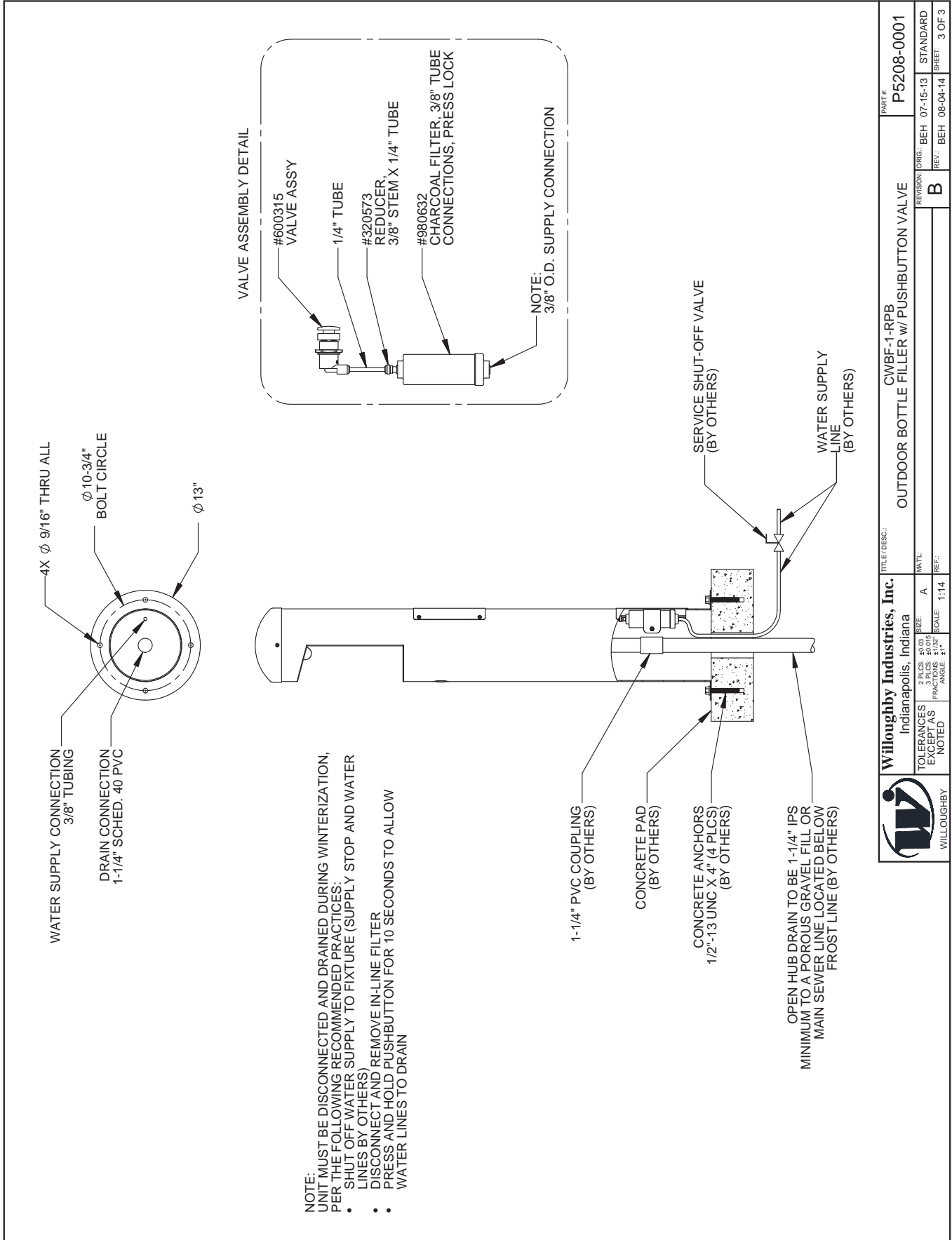
Willoughby Industries, Inc. Indianapolis, Indiana		TITLE/DESC: CWBF-2-RPB-HC-BL OUTDOOR BOTTLE FILLER		PART #: P5410-0011
TOLERANCES EXCEPT AS NOTED	2 PLCS: #0.00 FRACTIONS: #0.00 ANGLE: #1°	MATL: A	REV: B	STANDARD SHEET: 1 OF 3
SCALE: 1:13	REF: 1:13	REV: BEH 9/25/13	REV: EEF 3/23/15	

DRAWING: Physical Dimensions



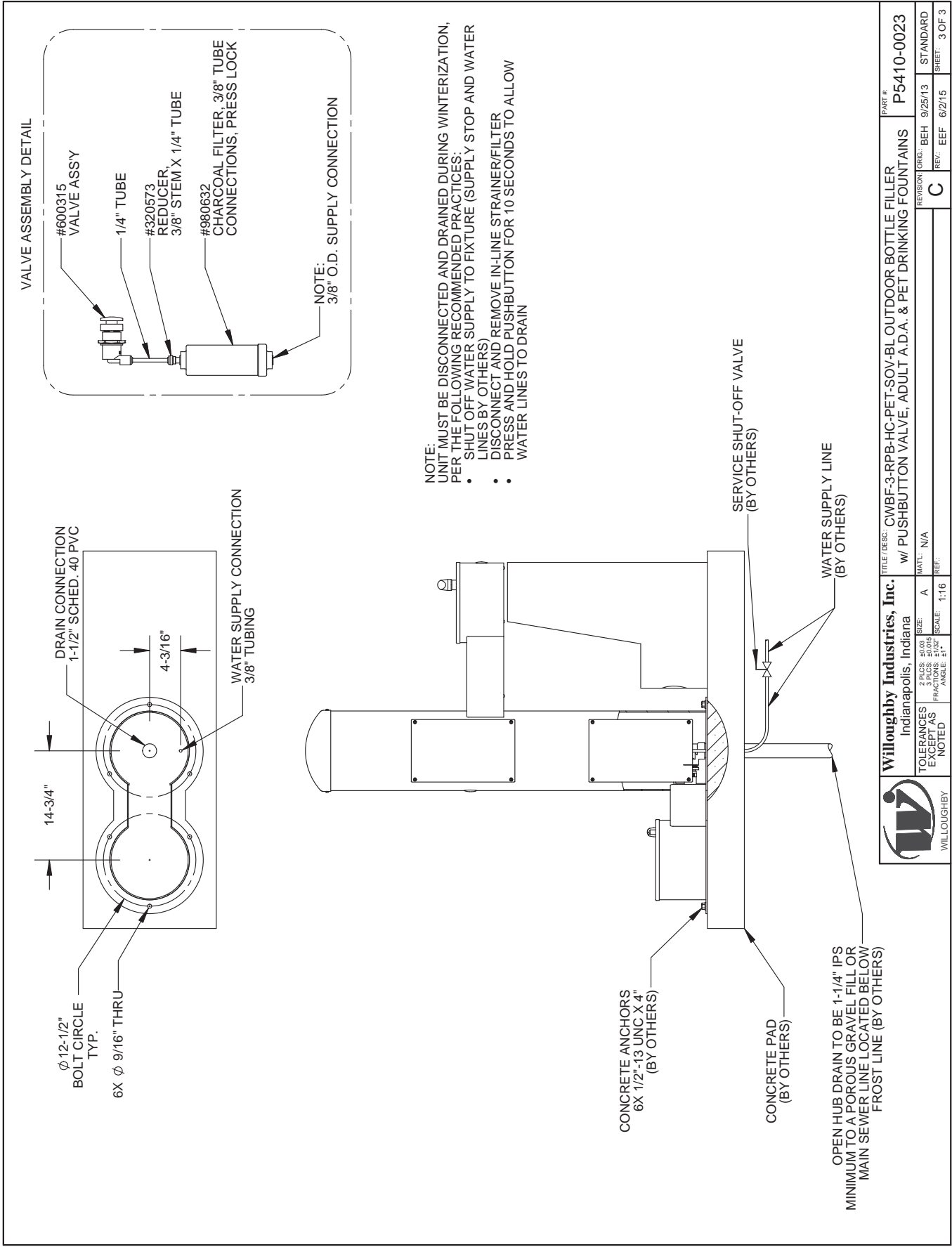
<p>Willoughby Industries, Inc. Indianapolis, Indiana</p>	TITLE/DESC: CWBF-3-RPB-HC-PET-SOV-BL OUTDOOR BOTTLE FILLER W/ PUSHBUTTON VALVE, ADULT A.D.A. & PET DRINKING FOUNTAINS	PART #: P5410-0023
	TOLERANCES EXCEPT AS NOTED 2 PLCS: 20/03 FRACTIONS: 2/32 ANGLE: 21°	MAT'L: N/A REF.:

DRAWING: Rough-in Dimensions

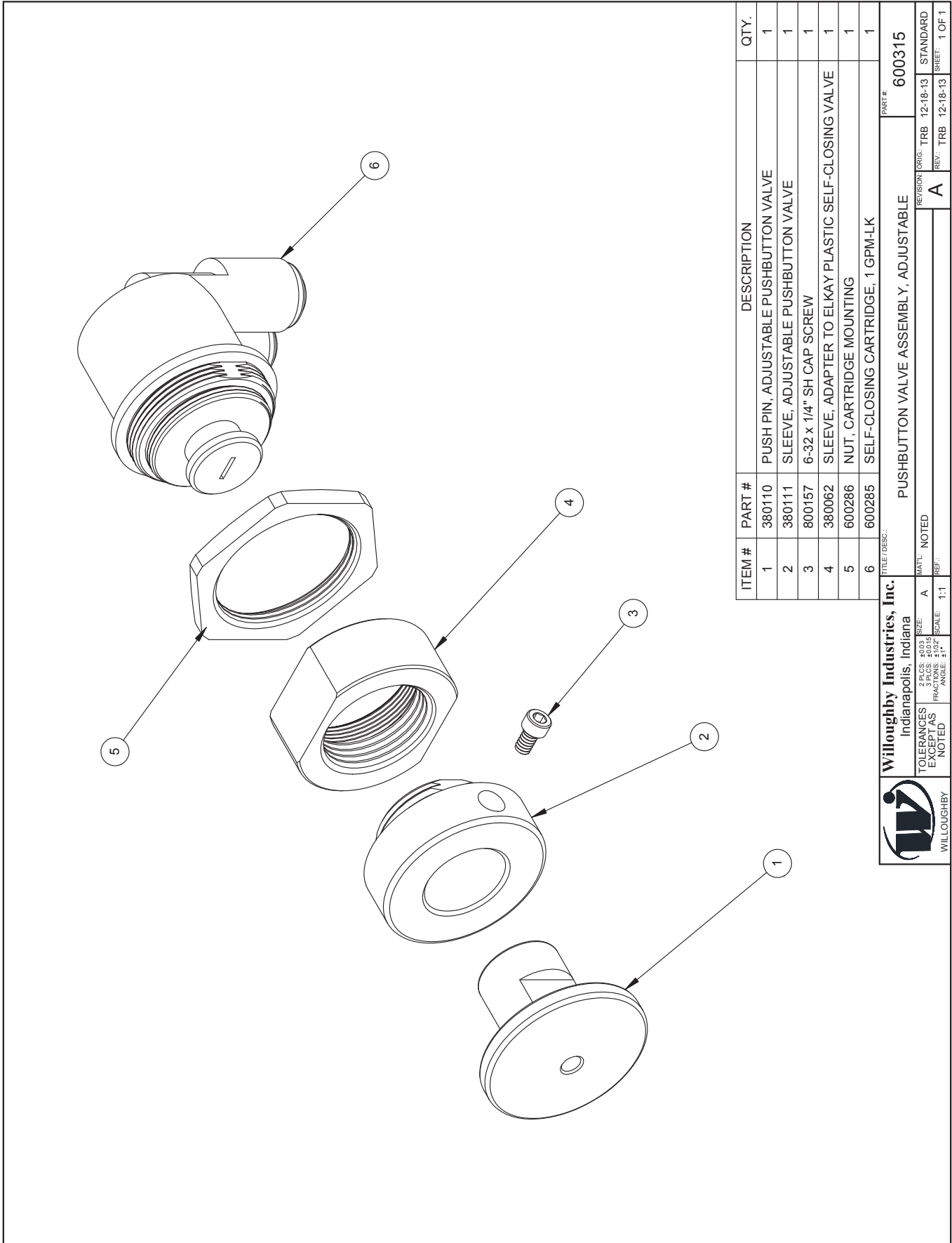


 <p>WILLOUGHBY</p>	<p>Willoughby Industries, Inc. Indianapolis, Indiana</p>	<p>TITLE/DESC: CWBF-1-RPB OUTDOOR BOTTLE FILLER w/ PUSHBUTTON VALVE</p>	<p>PART #: P5208-0001</p>
	<p>TOLERANCES EXCEPT AS NOTED</p> <p>2 PLCS #0.005 FRANCHISE #0.015 ANGLE #1°</p>	<p>MATL: A</p> <p>SCALE: 1:14</p>	<p>REVISION: B</p> <p>ORIG.: BEH 07-15-13 STANDARD</p> <p>REV.: BEH 08-04-14 SHEET: 3 OF 3</p>

DRAWING: Rough-in Dimensions



DRAWING: Push Button Detail



ITEM #	PART #	DESCRIPTION	QTY.
1	380110	PUSH PIN, ADJUSTABLE PUSHBUTTON VALVE	1
2	380111	SLEEVE, ADJUSTABLE PUSHBUTTON VALVE	1
3	800157	6-32 x 1/4" SH CAP SCREW	1
4	380062	SLEEVE, ADAPTER TO ELKAY PLASTIC SELF-CLOSING VALVE	1
5	600286	NUT, CARTRIDGE MOUNTING	1
6	600285	SELF-CLOSING CARTRIDGE, 1 GPM-LK	1

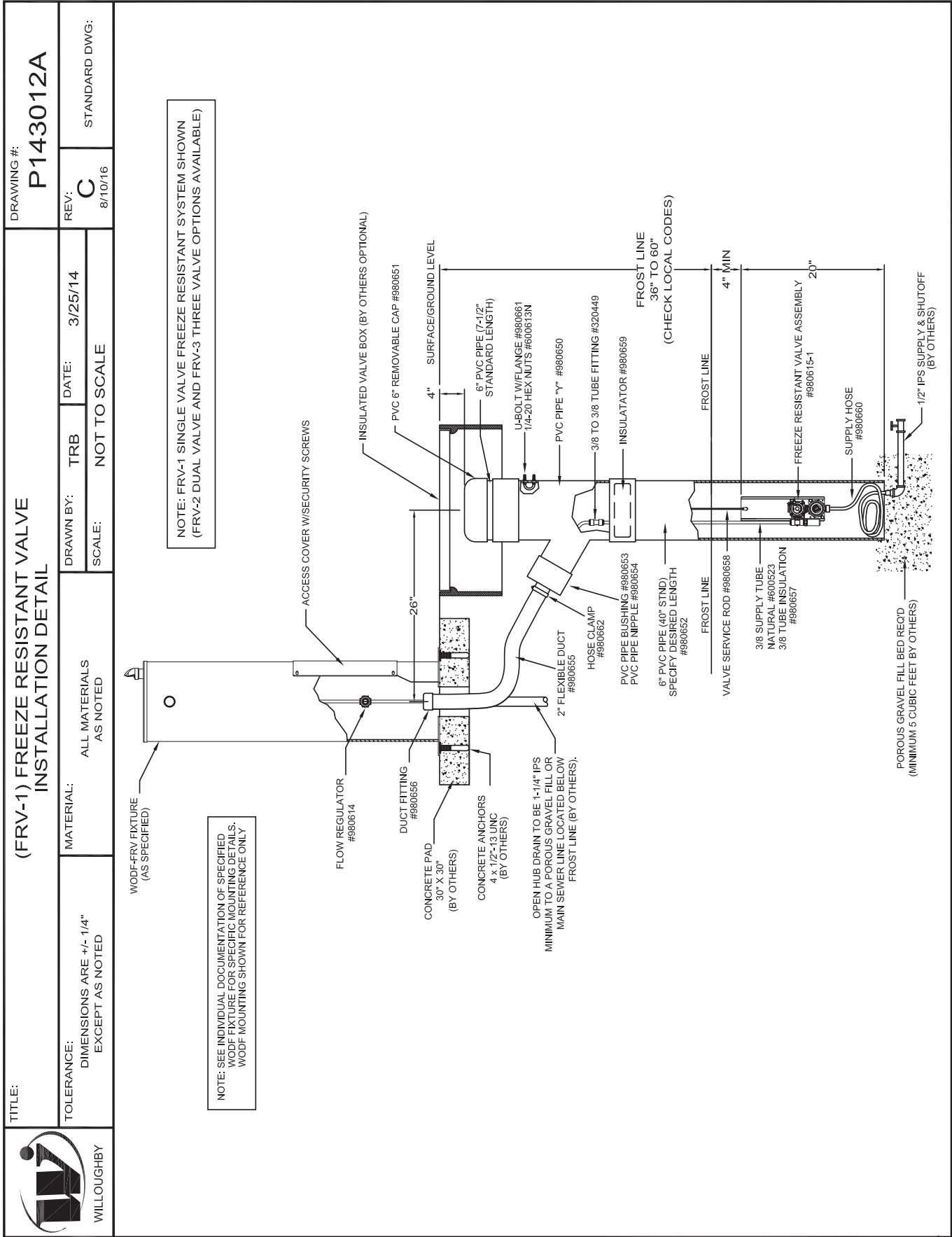
Willoughby Industries, Inc.
Indianapolis, Indiana

2 PAGES: 4003 SIZE: A
DATE: 12-18-13
FRAC: 1 OF 2 SCALE: 1:1
TOLERANCES EXCEPT AS NOTED
ANGLE: 31°

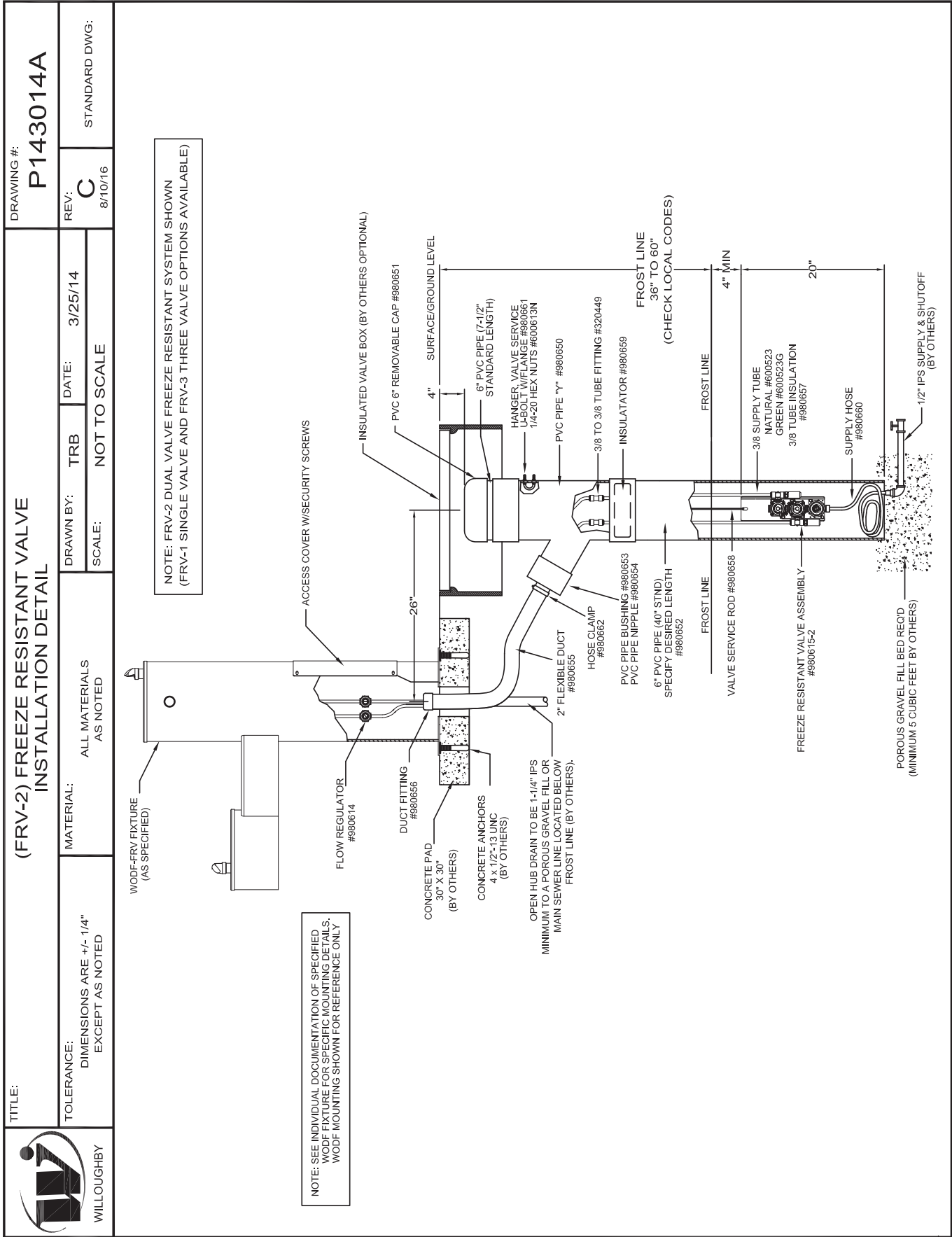
WILLOUGHBY

TITLE/DESC: PUSHBUTTON VALVE ASSEMBLY, ADJUSTABLE
PART #: 600315
MATERIAL: NOTED
REVISION: TRB 12-18-13 STANDARD
REV: TRB 12-18-13 SHEET: 1 OF 1

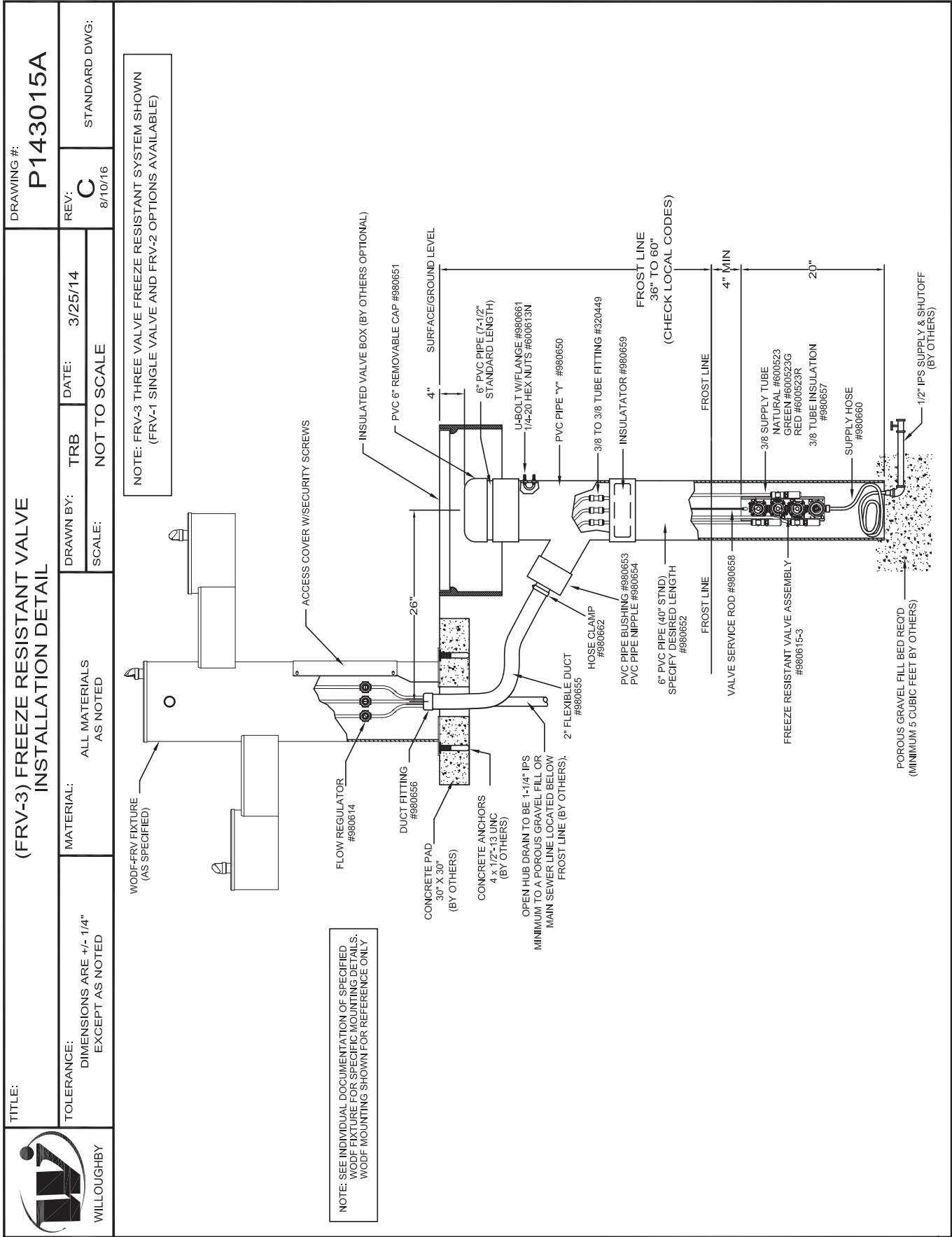
DRAWING: Freeze Resistant Valve Installation Detail



DRAWING: Freeze Resistant Valve Installation Detail



DRAWING: Freeze Resistant Valve Installation Detail



Warranty

Willoughby Industries, Inc. warrants to commercial and institutional purchasers only that each unit will be free from defects in workmanship and materials under normal use and service upon the following terms and conditions for a period of one (1) year from date of shipment.

This warranty excludes any defects in workmanship or materials under normal use for the charcoal filter, Willoughby Part No. 980440.

This warranty does not cover installation or any other labor charges and does not apply to any components damaged by accident, abuse, improper installation or improper maintenance. This warranty does not cover any installation that did not comply with national, state and local building, plumbing or electrical codes. The warranty is limited to replacing or repairing at manufacturer's option, transportation charges prepaid by the purchaser, any component or part which upon our inspection shall be deemed as defective within the limitations of this warranty. The replacement or repair of defective units as stated in this warranty shall constitute the sole remedy of the purchaser and the sole liability of Willoughby Industries, Inc. Willoughby Industries, Inc. shall not otherwise be liable under any indirect damages caused by defects in the repair or replacement thereof.

This warranty only extends to commercial and industrial purchasers and does not extend to any others, including consumer customers of commercial institutional purchasers. This warranty is in lieu of all other warranties, expressed or implied, including implied warranty of merchantability or fitness for a particular purpose or otherwise.