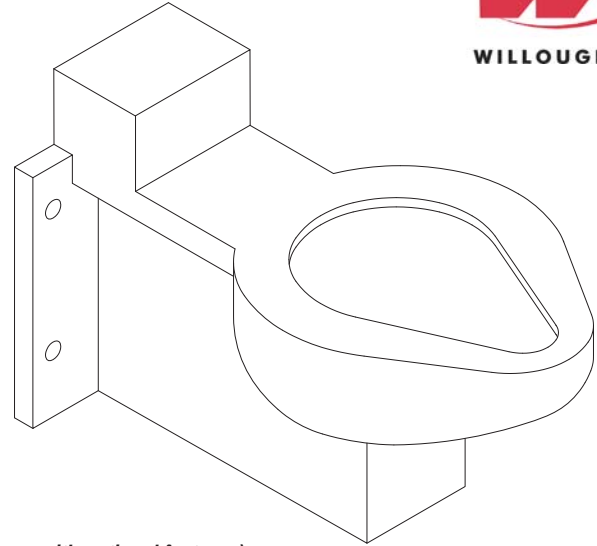




ETWS-1490-CM-RPF Replacement Carrier Mounted (4-bolt) Wall Outlet Siphon Jet Series Toilet



Recommended Specifications

(Unit may be shown with optional features)

Replacement, Carrier Mounted (4-bolt), Wall Outlet, Siphon Jet Series Toilet shall be: Willoughby Model No. **ETWS-1490-CM-RPF**

Fixture shall be fabricated from 14 GA, Type 304 stainless steel. The construction shall be an all welded, with exposed stainless surfaces polished to a #3 satin finish.

Standard toilet shall include: elongated toilet bowl with contoured seat, integral crevice-free self-draining flushing rim with positive afterfill and fully enclosed 2-3/8" O.D. trap which shall maintain a minimum 2" seal and pass a 2" ball. Toilet shall be siphon jet type which requires 35 psi minimum flushing pressure.

Fixture shall withstand loadings up to 2,000 lbs. with no measurable deflection and loadings up to 5,000 lbs. with no permanent damage.

Anchoring shall be by standard 4 bolt siphon jet carrier (carrier and fasteners by others).

Note: Unit will pass a 2" ball.

Note: Fixture should only be used with a listed high-efficiency flushometer to ensure the complete system meets the requirements of WaterSense.

On back to back fixture installations, do not use standard cross type waste fittings: cross flow may result due to blowout jet action. Use sanitary or offset type waste fittings.

✓	MANUFACTURER	MODEL #	X	Y	Z	
	AMERICAN STANDARD	2093.100	4-1/8"	14-1/2"	N/A	
		2254.127	5-1/4"	15"	11"	
		2256.194	5-1/4"	15"	—	
		2257.103	5-1/4"	15"	—	
		2258.125	5-1/4"	15"	11"	
		2294.011	5-1/4"	16-1/8"	N/A	
		2296.019	5-1/4"	16-1/8"	N/A	
		2324.100	—	—	—	
		2477.016	5-1/4"	14-3/4"	—	
		2478.014	5-1/4"	14-3/4"	11"	
		2500.015	5-1/4"	14-3/4"	11"	
		2502.011	5-1/4"	14-3/4"	—	
		ELJER	111-1405	5-1/4"	14-3/4"	—
			111-1405E	5-1/4"	15"	—
	111-1413E		5-1/4"	15"	—	
	111-1425		5-1/4"	14-3/4"	7-3/4"	
	111-1425E		5-1/4"	15"	7-3/4"	
	111-1455		5-1/4"	14-3/4"	—	
	111-1475		5-1/4"	14-3/4"	7-3/4"	
	111-1505		5-1/4"	15"	—	
	111-1513		5-1/4"	15"	—	
	111-2105		5-1/4"	15"	—	
	111-2110		5-1/4"	15"	7-3/4"	
	111-2113		5-1/4"	15"	—	
	111-2118		5-1/4"	15"	7-3/4"	
	111-2405E	5-1/4"	15"	—		
	111-2425E	5-1/4"	15"	11-3/4"		
	CRANE	3-217	4"	16-1/2"	—	
		3-446	5-1/2"	14-3/4"	—	
		3-446E	5-1/2"	15-1/2"	—	
		3-449	5-1/2"	14-3/4"	9"	
		3-449E	5-1/2"	15-1/2"	—	
		3-445	5-1/2"	17"	—	
		3H-445	5-1/2"	17"	—	
		3H-722E	5-1/2"	15-3/8"	—	
	KOHLER	K-4430-ET	5"	14-3/4"	—	
		K-4432-ER	5"	15"	10"	
		K-4330	5"	15"	—	



WARNING: Cancer and Reproductive Harm

- www.P65Warnings.ca.gov



MADE IN THE U.S.A.

visit our website at www.willoughby-ind.com
5105 West 78th Street • Indianapolis, IN. 46268
(317) 875-0830 • Fax: (317) 875-0837 • (800) 428-4065

MODEL NUMBER AND OPTIONS:

1.) Base Model Number:

- ETWS-1490-CM-RPF Replacement, Carrier Mounted (4-bolt), Wall Outlet, Siphon Jet Series Toilet

2.) Inlet Location:

- BS Back Spud
- TS Top Spud

3.) Flush Valve GPF (Must Specify):

- 1.28 GPF HET (4.8 Lpf) (WaterSense Labeled)
- 1.6 GPF ULF (6.0 Lpf)
- 3.5 GPF (13.2 Lpf)

4.) Toilet Waste:

- GWC Gasketed Waste Connection (Standard)

5.) Other Options:

- T4 Manual Reset Toilet Overflow Preventer, Requires: (FV) Hydraulic Flush Valve and Accessible Chase
- T4A Auto Reset Toilet Overflow Preventer, Requires: (FV) Hydraulic Flush Valve and Accessible Chase
- ET4 Electronic Toilet Overflow Preventer*, Requires (EFV), Accessible Chase, & (WUCC-3010) or (WMSII) control
- FV Hydraulic Flush Valve (Includes Actuator)
- EFV Electronic Flush Valve (Pick Control)*
- EFVP Electronic Flush Valve w/ (PZPB) Ligature-resistant Piezo Piezo Push Button (Pick Control)*
- FVT Flush Valve Connection (Back Spud Only)
- ASFVC Flush Valve Cover (Ligature-resistant, Top Spud Only)

[Other Options CONTINUED:]

- ASFVCADA Ligature-resistant ADA Flush Valve Cover (Top Spud Only)
- AP Flush Valve Access Panel (Allows access to chase-mounted flush valve from fixture side)
- HS Hinged White Plastic Seat (No Cover, not recommended for Maximum Security/Ligature-resistant use)
- DC Decorator Color (Fixture exterior only - White)
- TF24H Hard-wired Transformer, 110VAC to 24VAC*
- TF24P Plug-in Transformer, 110VAC to 24VAC*
- HPS High Polish Seat
- TSC Toilet Shipping Cover
- RTH1 Wall Mounted Recessed Tissue Holder (Rear Mounted, Requires Accessible Chase)
- RTH2 Wall Mounted Recessed Tissue Holder (Front Mounted, 4-1/2" Depth)
- RFVB Remote Flush Valve with Box
- REFVB Remote Electronic Flush Valve with Box*
- Other _____
- Other _____

6.) Electronic Controls* (Must Use Electronic Flush Valve):

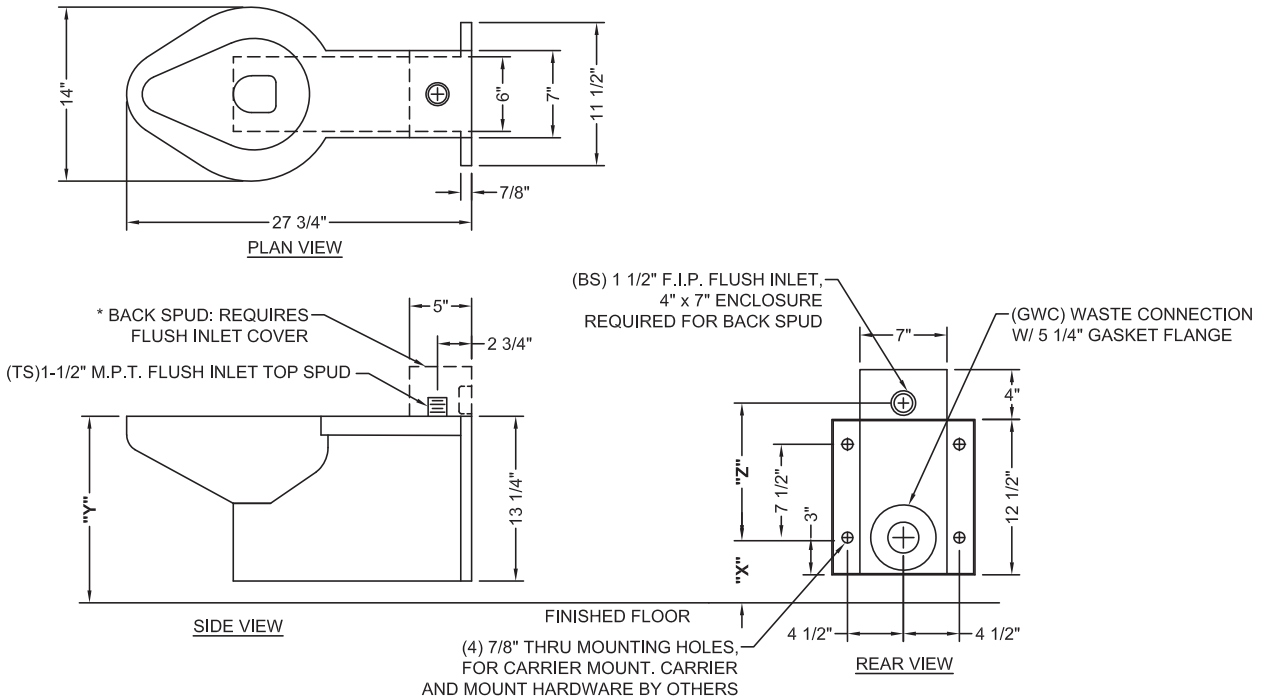
- WUFC-4000 Pneumatic WMSII
- WUCC-3010 (Select WUCC-3010 Control if pairing a Toilet with a Lavatory or if the Toilet is selected with an (ET4) overflow option)

*(Req. 110V power through ground fault interrupter (GFCI) receptacle)

[CONTINUED IN NEXT COLUMN:]

Approved For Manufacturing By: _____ Date: _____ Company: _____
 Wall Thickness: _____ Wall Type: _____

VERIFY ALL DIMENSIONS WITH FACTORY PRIOR TO ROUGH-IN
 WILLOUGHBY RESERVES THE RIGHT TO MAKE CHANGES IN DESIGN AND DIMENSIONS WITHOUT FORMAL NOTICE AND WITHOUT INCURRING OBLIGATION.



visit our website at www.willoughby-ind.com
 5105 West 78th Street • Indianapolis, IN. 46268
 (317) 875-0830 • Fax: (317) 875-0837 • (800) 428-4065



MADE IN THE U.S.A.