



WILLOUGHBY

COUNT ON US.



HEALTHCARE PRODUCT GUIDE

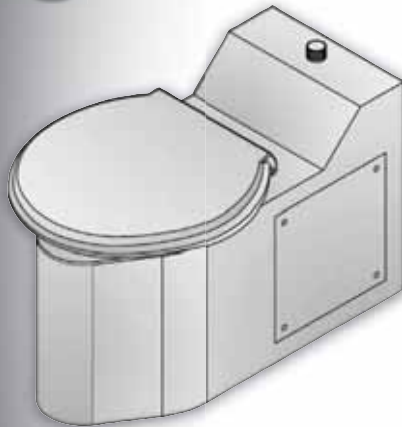
PLUMBING FIXTURES & ACCESSORIES



TABLE OF CONTENTS

Healthcare Product Guide: Plumbing Fixtures & Accessories

08



**BARIATRIC
TOILETS**


09



**ADA
SHOWER PANS**

SECTIONS


PATIENT CARE UNITS

The “free standing restroom.” Patient care units enable efficient use of space with durable, sanitary construction. **PAGE 2** 


HOSE & SUPPLY BOXES

Stainless steel remote supply, dialysis, and hose boxes. **PAGE 6** 

SCRUB SINKS

Stainless steel surgical scrub sinks. **PAGE 7** 

BARIATRIC TOILETS

Heavy gauge stainless steel fixtures that will withstand loads up to 2,000 lbs (less hinged seat). **PAGE 8** 

SHOWER PANS

Check out the multiple Aquasurf solid surface shower pans and wall sections. **PAGE 9** 

BEHAVIORAL HEALTHCARE

Vandal resistant fixtures with anti-suicide features, designed to meet the needs of behavioral health facilities. **PAGE 11** 

CERTIFICATIONS



PATIENT CARE UNITS

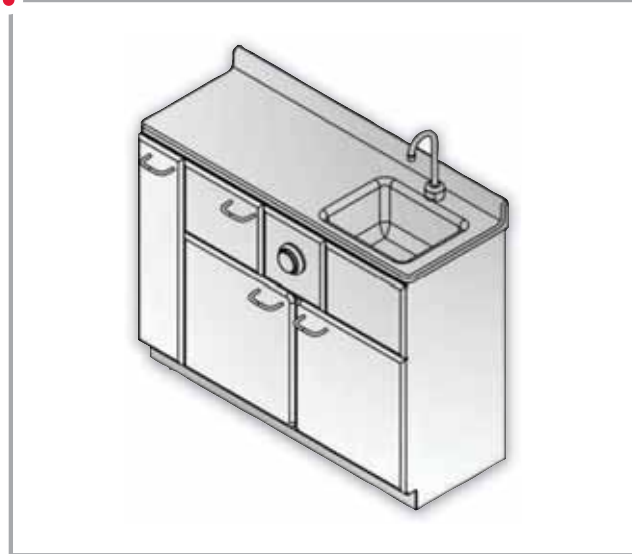


02

Willoughby patient care unit cabinet frames are fabricated from type 304 stainless steel. The cabinet's exterior is overlaid in solid polymer with rounded edges and equipped with an Aquasurf Solid Surface integral lavatory bowl and countertop. Each unit features a low flow, siphon jet, stainless steel toilet with an elongated bowl, integral flushing rim, and white hinged seat. Call a Willoughby sales representative today for details at 1-800-428-4065.

WH-1700

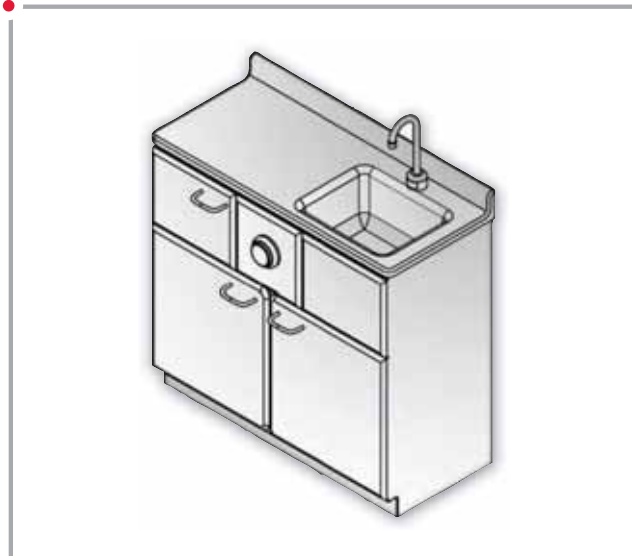
- 47" Wide Patient Care Unit
- Siphon Jet, Low Flow, 14 Gauge, Stainless Steel Swivel Toilet
- Welded, Type 304 Stainless Steel Cabinet
- Cabinet Exterior Overlay Doors and Panels, Rounded Edge, Solid Polymer
- Toilet Tissue Holder Mounted Inside Cabinet Door
- Aquasurf Solid Surface Integral Lavatory Bowl and Countertop with Raised Edge
- Wristblade Handle, 10" Gooseneck, Deck Mounted Faucet
- Bedpan Washer with Flexible Hose, Concealed within Separate Cabinet



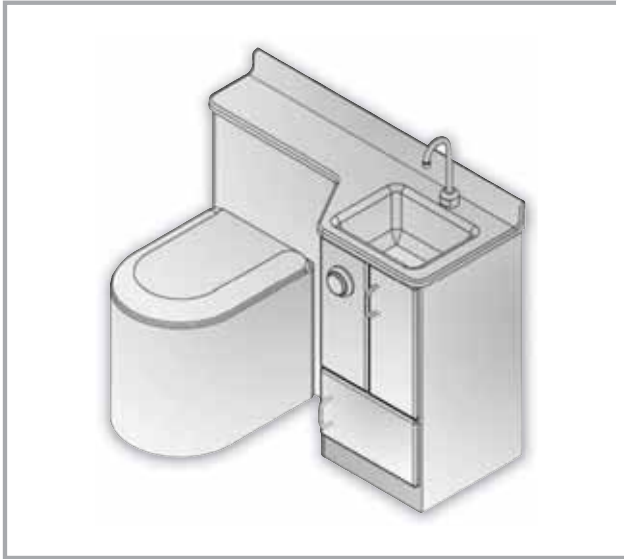
OPTIONS: Contrasting bowl upgrade, white finished toilet, foot pedal controls, no-touch sensor faucet, stainless steel countertop with bowl, bedpan washer volume control, bed pan lugs, single or dual valve dialysis box.

WH-1750

- 41" Wide Patient Care Unit
- Siphon Jet, Low Flow, 14 Gauge, Stainless Steel Swivel Toilet
- Welded, Type 304 Stainless Steel Cabinet
- Cabinet Exterior Overlay Doors and Panels, Rounded Edge, Solid Polymer
- Toilet Tissue Holder Mounted Inside Cabinet Door
- Aquasurf Solid Surface Integral Lavatory Bowl and Countertop with Raised Edge
- Wristblade Handle, 10" Gooseneck, Deck Mounted Faucet

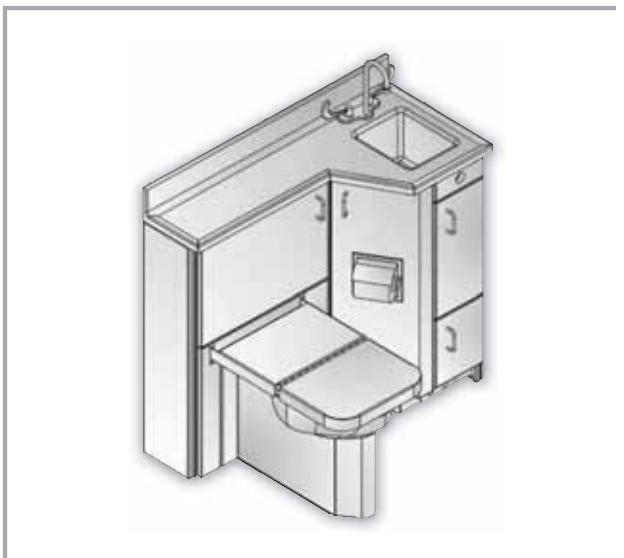


OPTIONS: Bedpan washer in storage cabinet, contrasting bowl upgrade, white finished toilet, foot pedal controls, no-touch sensor faucet, stainless steel countertop with bowl, bedpan washer volume control, bed pan lugs, single or dual valve dialysis box.

**WH-1900**

- 47" Wide Patient Care Unit
- Freestanding, Welded, Type 304 Stainless Steel Cabinet
- Cabinet Exterior Overlay Doors and Panels, Rounded Edge, Solid Polymer
- Recessed Toilet Tissue Holder Mounted within Cabinet Door Front
- Aquasurf Solid Surface Integral Lavatory Bowl and Countertop with Raised Edge
- Siphon Jet, Low Flow, 14 Gauge Stainless Steel Toilet with White Finish
- Wristblade Handle, 10" Gooseneck, Deck Mounted Faucet
- Bedpan Washer with Flexible Hose, Concealed within Separate Cabinet

OPTIONS: Foot pedal controls, no-touch sensor faucet, stainless steel countertop with bowl, bedpan washer volume control, bed pan lugs, single or dual valve dialysis box, roll away toilet cover.

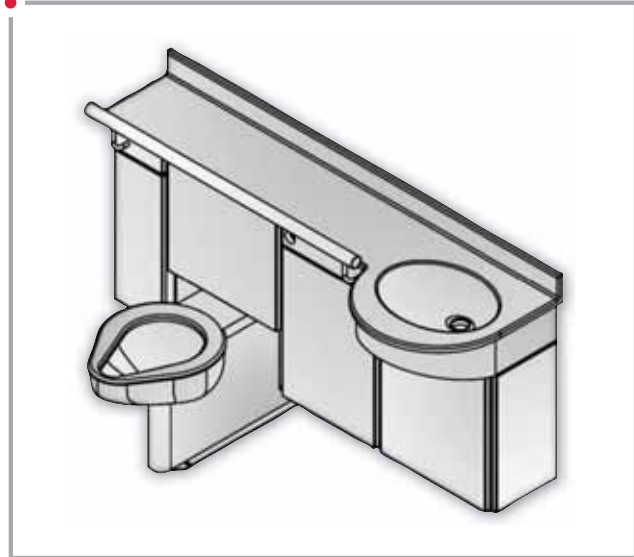
**WH-1950**

- 41" Wide Patient Care Unit
- Freestanding, Welded, Type 304 Stainless Steel Cabinet
- Cabinet Exterior Overlay Doors And Panels, Rounded Edge, Solid Polymer
- Recessed Toilet Tissue Holder Mounted Within Cabinet Door Front
- Aquasurf Solid Surface Integral Lavatory Bowl And Countertop with Raised Edge
- Siphon Jet, Low Flow, 14 Gauge Stainless Steel Toilet with White Finish
- Wristblade Handle, 10" Gooseneck, Deck Mounted Faucet

OPTIONS: No-touch sensor faucet, bedpan washer volume control, bed pan lugs, single or dual valve dialysis box, swing down grab bar.

WH-2100

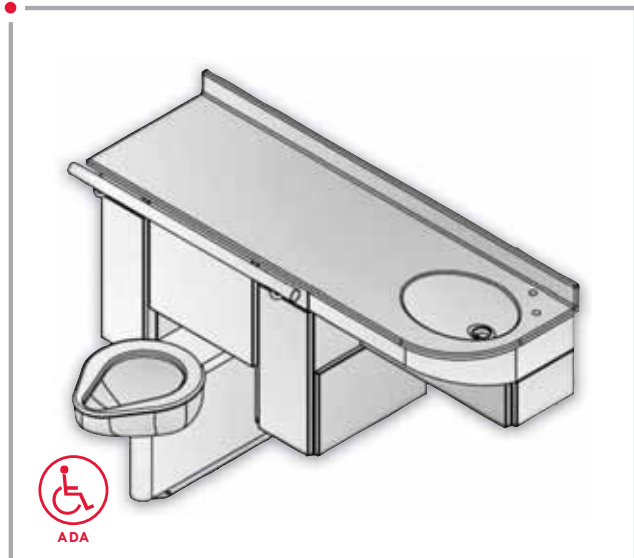
- 61" Wide Patient Care Unit
- Wall Hung, Welded, Type 304 Stainless Steel Cabinet
- Cabinet Exterior Overlay Doors And Panels, Rounded Edge, Solid Polymer
- Toilet Tissue Holder Mounted Inside Cabinet Door
- Aquasurf Solid Surface Integral Oval Lavatory Bowl And Countertop
- Siphon Jet, Low Flow, 14 Gauge Stainless Steel Toilet with White Finish
- Wristblade Handle, 10" Gooseneck, Deck Mounted Faucet
- Bedpan Washer With Flexible Hose, Concealed Within Separate Cabinet
- ADA Accessible



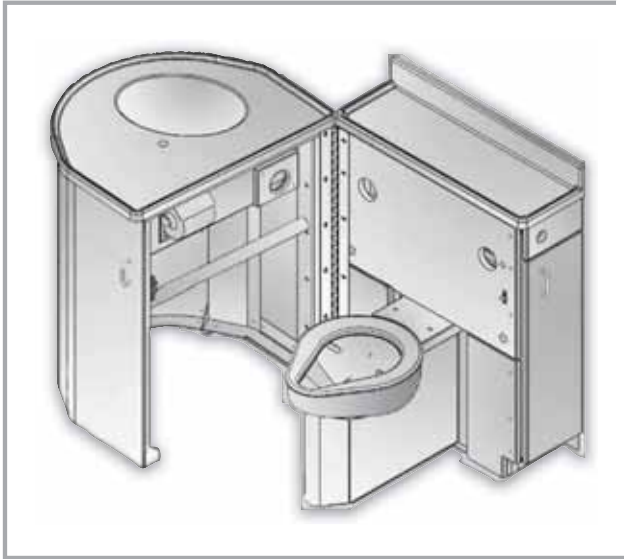
OPTIONS: No-touch sensor faucet, bedpan washer volume control, bed pan lugs, single or dual valve dialysis box, swing down grab bar. Available in modified widths of 37", 41" 47", and 54".

WH-2400

- 61" Wide Patient Care Unit
- Wall Hung, Welded, Type 304 Stainless Steel Cabinet
- Cabinet Exterior Overlay Doors And Panels, Rounded Edge, Solid Polymer
- Toilet Tissue Holder Mounted Inside Cabinet Door
- Aquasurf Solid Surface Integral Oval Lavatory Bowl And Countertop
- Siphon Jet, Low Flow, 14 Gauge Stainless Steel Toilet with White Finish
- Wristblade Handle, 10" Gooseneck, Deck Mounted Faucet
- Bedpan Washer With Flexible Hose, Concealed Within Separate Cabinet
- ADA/TAS Compliant



OPTIONS: No-touch sensor faucet, bedpan washer volume control, bed pan lugs, single or dual valve dialysis box, swing down grab bar.

**WH-2600**

- Swing-away Cabinet Patient Care Unit
- Freestanding, Welded, Type 304 Stainless Steel Cabinet And Frame
- Cabinet Exterior Overlay Doors And Panels, Rounded Edge, Solid Polymer
- Toilet Tissue Holder Mounted Inside Cabinet
- Aquasurf Solid Surface Integral Oval Lavatory Bowl And Countertop
- Siphon Jet, Low Flow, 14 Gauge Stainless Steel Toilet with White Finish
- Wristblade Handle, 10" Gooseneck, Deck Mounted Faucet

OPTIONS: Bedpan washer in side cabinet door, foot pedal controls, no-touch sensor faucet, bedpan washer volume control, bed pan lugs.

**WH-2800**

- 28" Wide Patient Care Unit
- Freestanding, Welded, Type 304 Stainless Steel Cabinet
- Cabinet Exterior Overlay Doors And Panels, Rounded Edge, Solid Polymer
- Hooded Toilet Tissue Holder Recess Mounted Within Cabinet Front
- Aquasurf Solid Surface Integral Lavatory Bowl And Countertop
- Siphon Jet, Low Flow, 14 Gauge Stainless Steel Toilet with White Finish
- Wristblade Handle, 10" Gooseneck, Deck Mounted Faucet

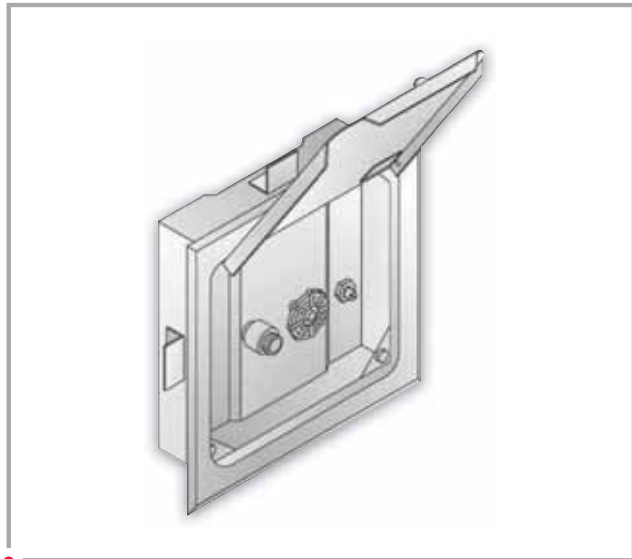
OPTIONS: Bedpan washer in side cabinet door, contrasting bowl upgrade, foot pedal controls, no-touch sensor faucet, stainless steel countertop with bowl, bedpan washer volume control, bed pan lugs, single or dual valve dialysis box, roll away toilet cover.

HOSE & SUPPLY BOXES



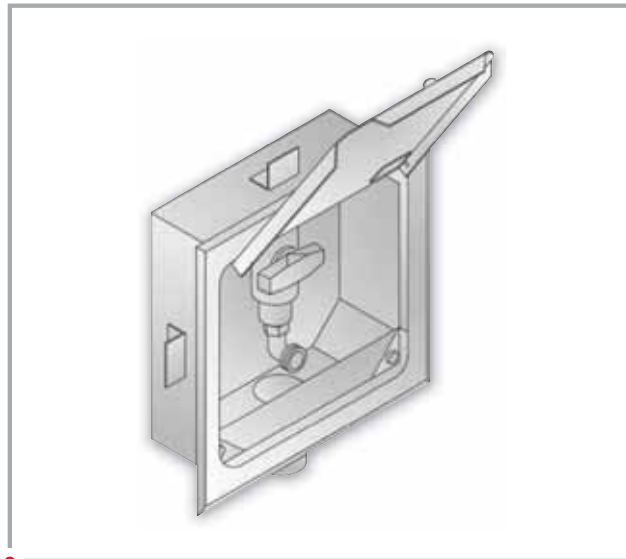
Willoughby supply boxes include wall flange and door (if applicable) are fabricated from type 304 stainless steel with surfaces flush to the supporting wall and polished to a #4 satin finish. Call a Willoughby sales representative today at 1-800-428-4065.

09



HB SERIES

- Recessed Hose Box
- Available With or Without Stainless Steel Door
- Single or Dual Temperature



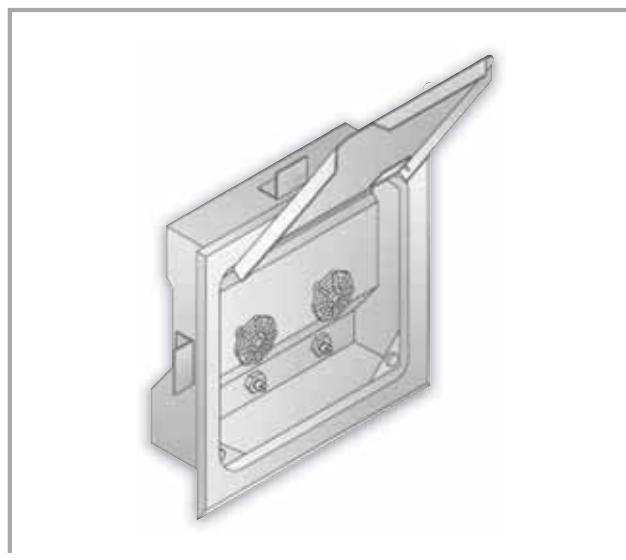
DB SERIES

- Recessed Dialysis Box
- Single or Dual Temperature



HBDB SERIES

- Recessed Hose Box With Boiler Drain Valve



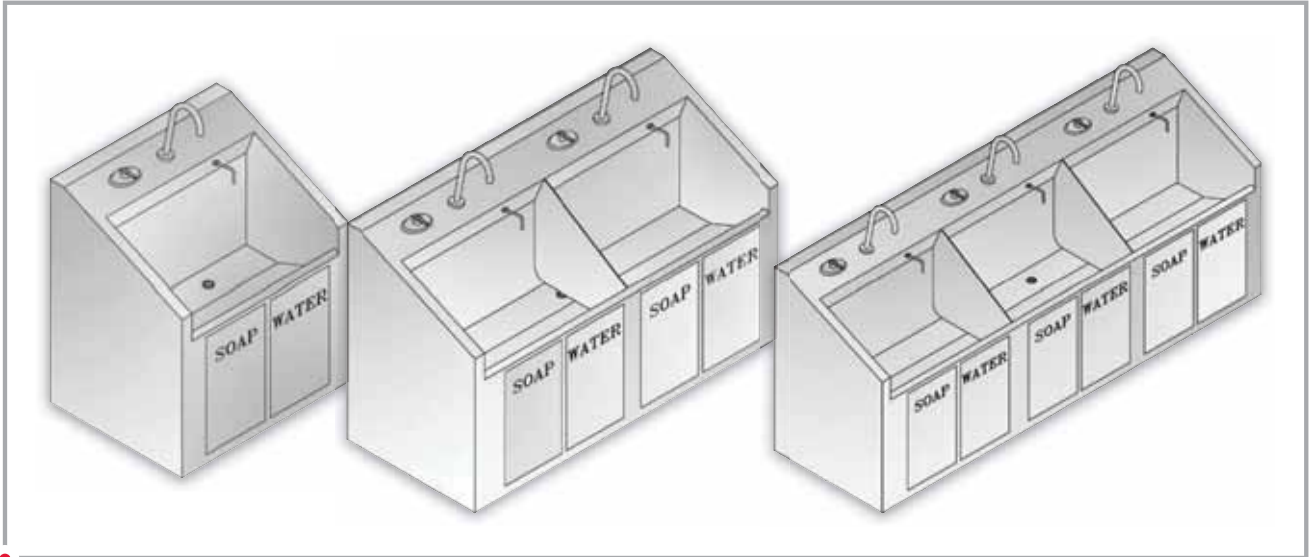
RSB SERIES

- Remote Supply Box



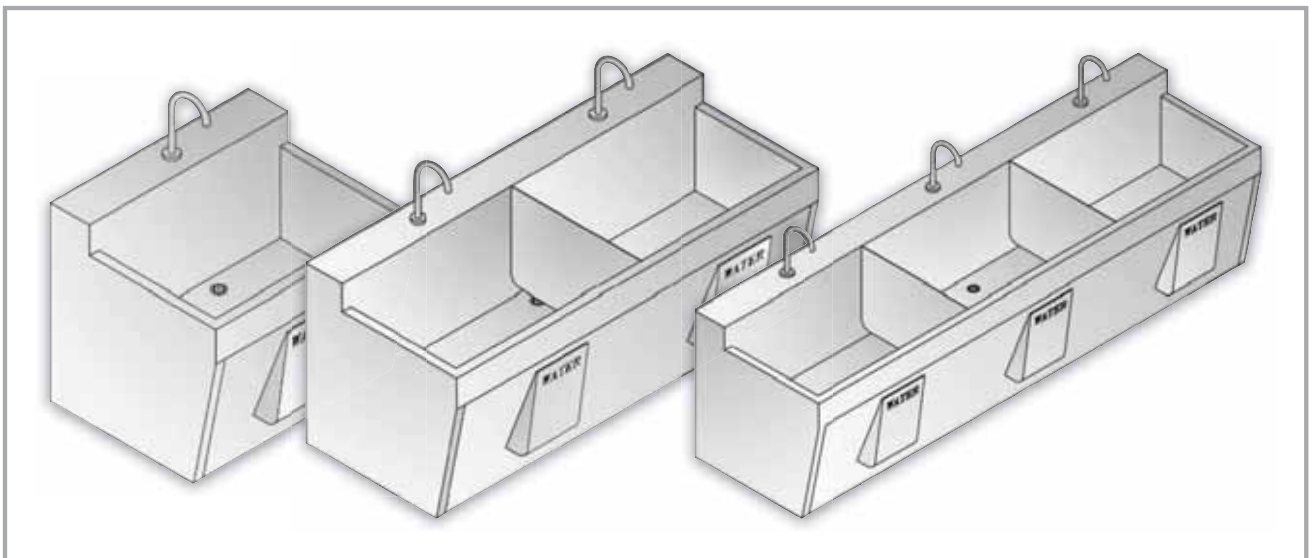
SCRUB SINKS

Willoughby Scrub Sinks are fabricated from all-welded 14 gauge type 304 stainless steel polished to a #4 satin finish with a bead-blast finish inside the bowl(s). Call a Willoughby sales representative today at 1-800-428-4065.



CWSSS

- Surgical Scrub Sink
- Knee Activated or Infrared Faucet
- Optional Knee Activated Liquid Soap
- Available in 1, 2, and 3 Station Configurations



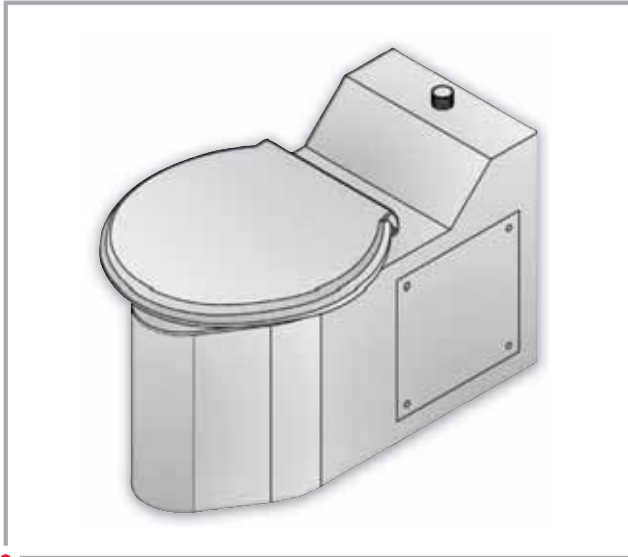
EWSSS

- Economy Surgical Scrub Sink
- Knee Activated or Infrared Faucet
- Available in 1, 2, and 3 Station Configurations

BARIATRIC TOILETS

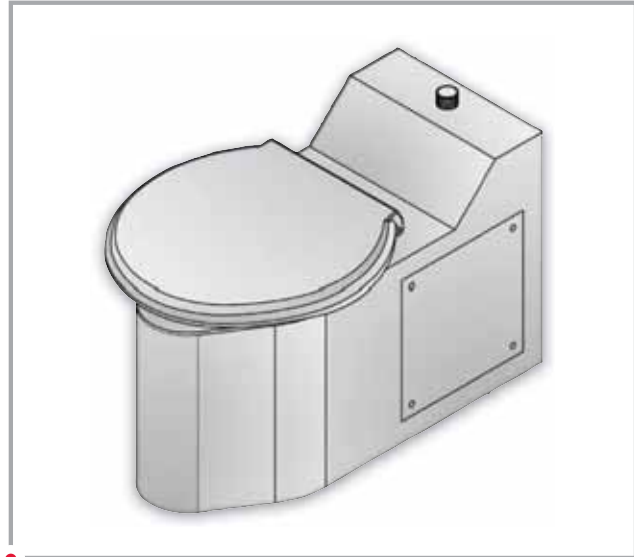


Willoughby Bariatric toilets are fabricated from heavy gauge, type 304 stainless steel with all-welded construction. The fixture exterior has a gloss white powder coat enamel finish. The toilet bowl interior has a sanitary bead blast stainless steel finish. The fixtures are rated for up to 2000 lbs., and the oversized bariatric seat is rated for up to 1200 lbs. Call a Willoughby sales representative today at 1-800-428-4065.



BETW-1490-FM-FA

- Floor Mount
- Wall Outlet
- Blowout Flush



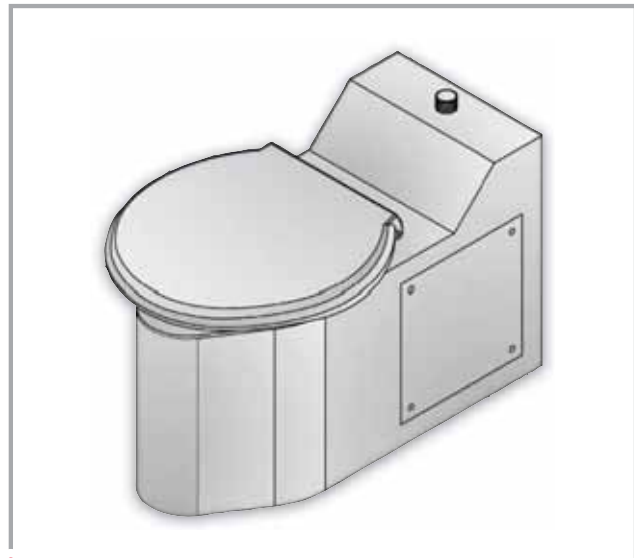
BETWS-1490-FM-FA

- Floor Mount
- Wall Outlet
- Siphon Jet Flush



BETF-1490-FM-FA

- Floor Mount
- Floor Outlet
- Siphon Jet Flush



BETF-1490-FM-10-FA

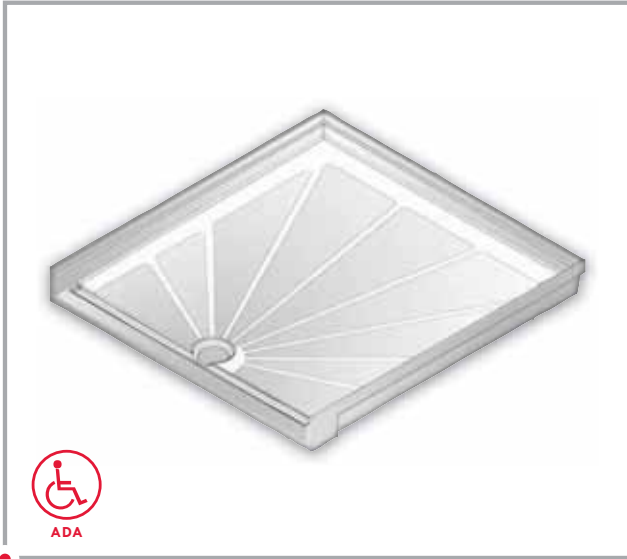
- Floor Mount
- 10" Floor Outlet
- Siphon Jet Flush

BETF-1490-FM-12-FA

- Floor Mount
- 12" Floor Outlet
- Siphon Jet Flush

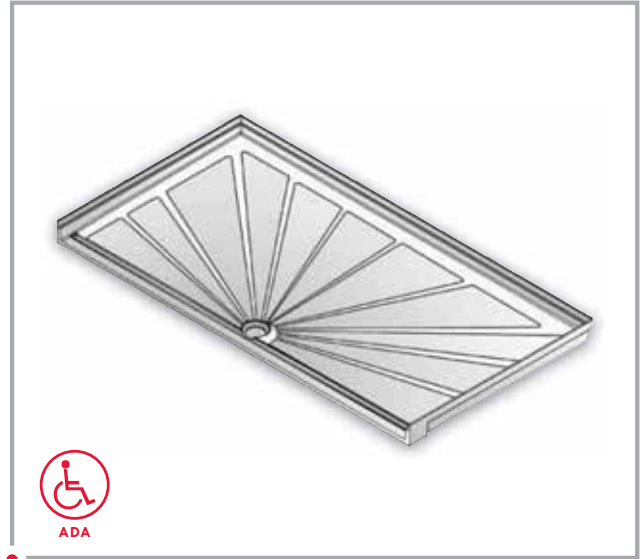


Willoughby shower pans are fabricated from Aquasurf solid surface material. Aquasurf is a molded cast polymer, densified, solid surface material composed of polyester/acrylic resin with UV stabilizer, aluminum trihydrate, and mineral fillers. The material is resistant to stains, impact, and burns. Scratches to the surface of this product are rare and can be easily repaired with a mild abrasive cleanser. Call a Willoughby sales representative today at 1-800-428-4065.



AS-S3840FA

- Transfer Shower Receptor With Integral Trench
- ADA Compliant
- Stainless Steel Trench Cover
- Anti-slip Surface



AS-S3462FA

- Roll-in Shower Receptor With Integral Trench
- ADA Compliant
- Stainless Steel Trench Cover
- Anti-slip Surface



AS-S36NEO

- Shower Receptor
- Neo-angle
- Anti-slip Surface
- Available in 36" or 42" models



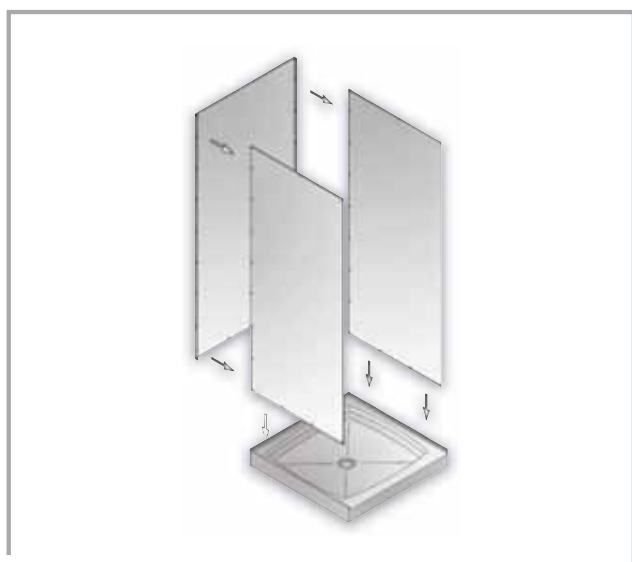
AS-S36RND

- Shower Receptor
- Round Front
- Anti-slip Surface



SQUARE & RECTANGLE SHOWER PANS

- Shower Receptor
- Available in 36"x36", 36"x48", or 36"x60"
- Anti-slip Surface



WALL KITS

- Solid Surface
- 1/4" or 3/8" Thick
- Sized to Fit Any Shower Pan

AQUASURF®

SOLID SURFACE SHOWER SYSTEMS

- Stain, Impact, And Burn Resistant
- Greater Durability And Less Maintenance Than Tile
- Non-Porous Material
- Available In Solid Or Granite Colors

COLOR SELECTION CHART

— STANDARD —



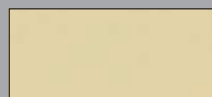
White Granite WG1



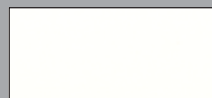
Sandstone SS1



Grey Granite GG1



Bone B1



Glacier White GW1

— OPTIONAL —



Red Coral RC1



Nocturnal Blue NB1



Black Granite BG1



Sea Green SG1





BEHAVIORAL HEALTHCARE

Willoughby behavioral healthcare fixtures are fabricated from heavy gauge, type 304 stainless steel with all-welded construction and exposed stainless surfaces polished to a satin finish. Call a Willoughby sales representative today at 1-800-428-4065.



WRS-FA-CSH

- Recessed Shower Panel
- Front Mounted



WRS-BF-FA-2HD-CSH

- Recessed Shower Panel
- Two Fixed Showerheads
- Front Mounted
- ADA Compliant



ASCWSMS-PB

- Wall Shower
- Surface Mount
- Sloped Top
- Anti-suicide



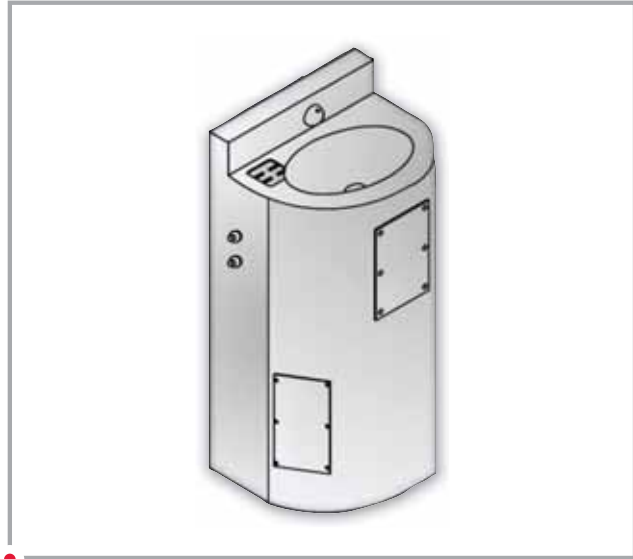
WAW-2311

- Single Station Lavatory
- Aquasurf Solid Surface Components
- Vandal Resistant, Non-removable Trim
- Available With Pushbutton or Infrared Actuation
- Welded Stainless Steel Trap Enclosure



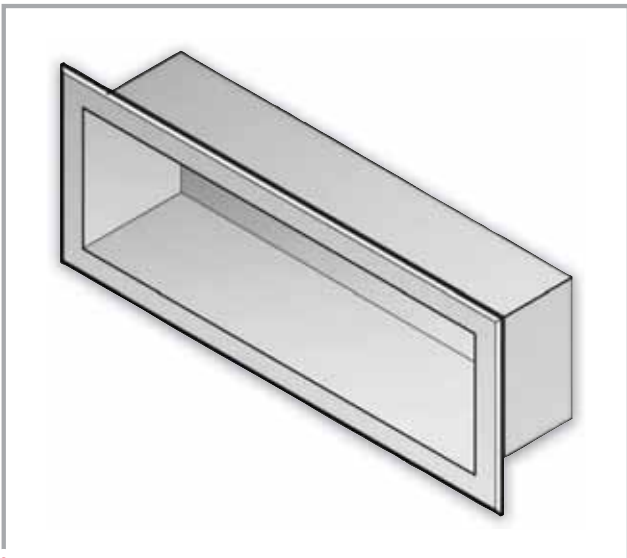
ECW-1806 SERIES

- Combination Lavatory and Toilet
- 18" Wide
- Rear Mounted
- Anti-suicide



ASHS-1013-06-FA

- Lavatory
- 18" Wide
- Front Mounted
- Anti-suicide



RS-1 SERIES

- Recessed Shelf
- Rear Mounted

RS-2 SERIES

- Recessed Shelf
- Front Mounted

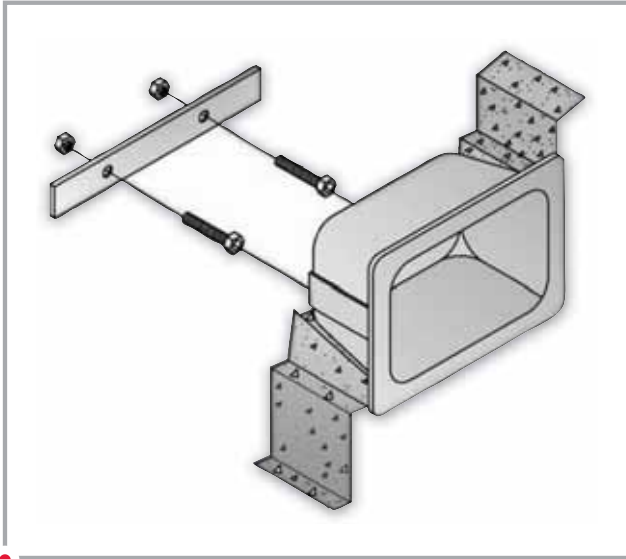


TH-3 SERIES

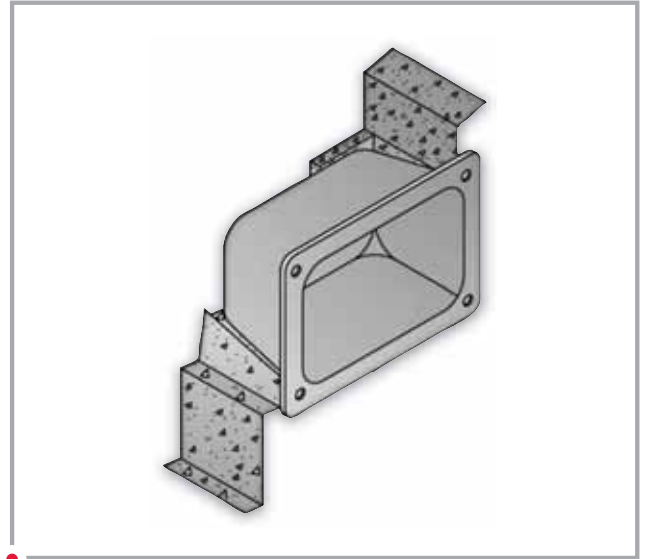
- One Hook
- Front Mounted
- Release Towel Hooks

TH-4 SERIES

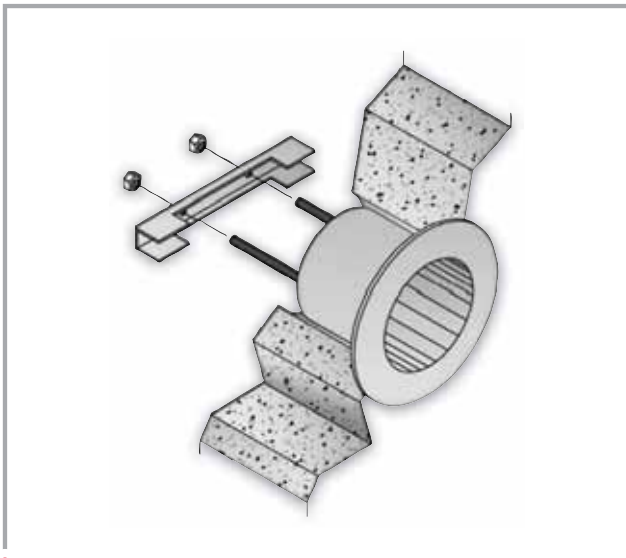
- Four Hooks
- Front Mounted
- Release Towel Hooks

**RSD-1 SERIES**

- Recessed Soap Dish
- Rear Mounted

**RSD-2 SERIES**

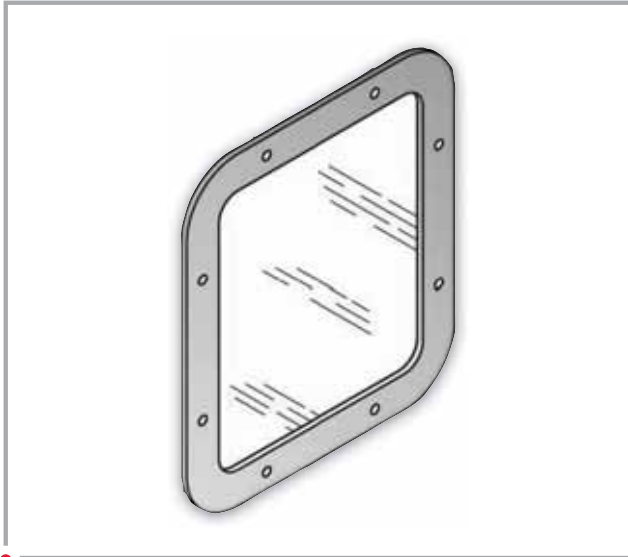
- Recessed Soap Dish
- Front Mounted

**RTH-1**

- Recessed Tissue Holder
- Rear Mounted

**RTH-2**

- Recessed Tissue Holder
- Front Mounted

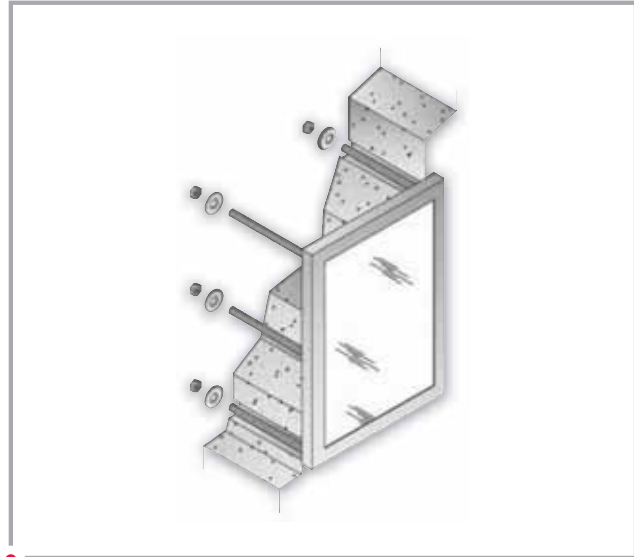


MR-1 SERIES

- 12" x 10.5"
- One-Piece Security Mirror
- Front Mounted

MR-2 SERIES

- 16.5" x 12.5"
- One-Piece Security Mirror
- Front Mounted



FMR-1

- 12" x 18"
- Framed Security Mirror
- Rear Mounted



ASGB SERIES

- Grab Bar
- Lengths of 24", 36", 42", and 48"
- Includes Anti-suicide Plate



ASGB-3318

- Grab Bar
- 33"x18" L-shaped.
- Includes Anti-suicide Plate



WILLOUGHBY

COUNT ON US.

Thank you for considering Willoughby products. With over sixty years in business, our focus rests solely on providing the finest commercial plumbing products and service available in the industry. We are proud of the fact that our products are manufactured in the U.S.A. and sold throughout the world.

Our two Indianapolis, Indiana manufacturing facilities employ craftspeople that are committed to the research, design and production of stainless steel and solid surface plumbing fixtures and accessories of the highest quality.

As you consider the selection and use of fixtures and/or accessories for your next project, we respectfully ask for your business. You can COUNT ON US to meet and exceed your expectations.



© 2010 Willoughby Industries Inc.