

WILLOUGHBY

2400 Series

Exceed the specification
with the premier all-in-one.



An ADA and TAS compliant fixture, the highly durable 2400 Series is the only patient care unit in the industry with 42 inches of unobstructed access to the water closet. It offers a fixed toilet, and a fully welded type 304 stainless steel cabinet. This 61" bedside unit gives you the compliance you need for your next ICU/CCU project.

Stainless steel cabinet.

The 2400 series features a fully welded, type 304 stainless steel cabinet.



Solid polymer panels.

The cabinet's exterior is overlaid with solid polymer doors and panels.



Stainless steel toilet.

The white finished toilet has been tested to withstand a 2500 lb. weight capacity.



Aquasurf® countertop.

A solid surface integral oval lavatory bowl and countertop are standard.



Great reasons to Count On Us.

The highest quality stainless steel and solid surface plumbing products, at a competitive price.

Get an exceptional customer experience by always having a skilled person available on the phone to resolve your issues or questions.

Countertop

- Made of non-porous Aquasurf solid surface material
- Integral oval lavatory bowl and countertop

Faucet

- Wristblade handle, 10" gooseneck, deck mounted

Cabinet

- Wall hung
- Fully welded, type 304 stainless steel
- Rounded edge, solid polymer overlay exterior doors and panels
- Doors will support up to a 250 lb. static load

ADA Grab Bar

Bed Pan Washer

- Concealed within separate cabinet, flexible hose allows for easy and sanitary clean up

Toilet

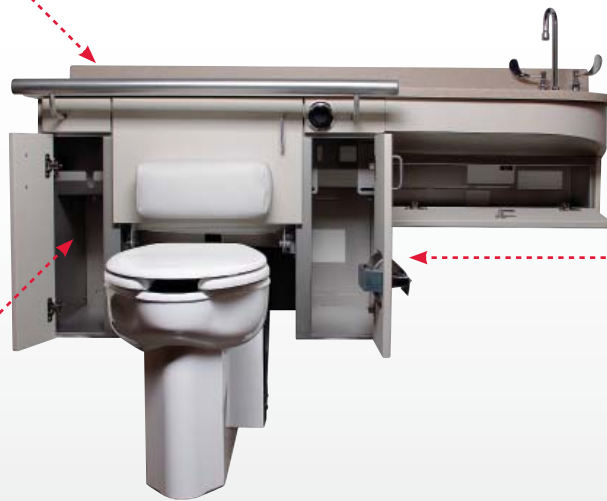
- White finished, stainless steel, low flow, siphon-jet
- Tested to support a 2500 lb. static load
- Fold-away toilet cover with padded seat

Tissue Holder

- Mounted inside cabinet door

Options

- No-touch sensor faucet
- Bedpan washer volume control
- Bedpan lugs
- Single or dual valve dialysis box
- Swing down grab bar



Model WH-2400



Technical Specification

Model WH-2400

Standard 61.5" wide x 41.125" deep x 37" tall

Willoughby Industries, Inc.

5105 West 78th Street, Indianapolis, IN 46268

phone 317.638.2381 | fax 317.638.6110 | toll free 800.428.4065

www.willoughby-ind.com



WILLOUGHBY