



PRODUCT CATALOG- TABLE OF CONTENTS

SECURITY PRODUCTS

- COMBINATIONS _____ S1-1
- TOILETS _____ S2-1
- URINALS _____ S3-1
- LAVATORIES _____ S4-1
- SECURITY SHOWERS _____ S5-1
- DRINKING FOUNTAINS _____ S6-1
- REPLACEMENT FIXTURES _____ S7-1
- VALVES _____ S8-1
- ELECTRONIC WATER MANAGEMENT _____ S9-1
- SECURITY ACCESSORIES _____ S10-1
- SUPPLEMENTAL INFORMATION _____ S11-1

COMMERCIAL WARE

- LAVATORIES, STAINLESS STEEL _____ C12-1
- LAVATORIES, SOLID SURFACE _____ C13-1
- COMMERCIAL SHOWERS _____ C14-1
- WASHFOUNTAINS, STAINLESS STEEL _____ C15-1
- WASHFOUNTAINS, SOLID SURFACE _____ C16-1
- SINKS _____ C17-1
- SHAMPOO BOWLS _____ C18-1
- HOSE / SUPPLY BOXES _____ C19-1



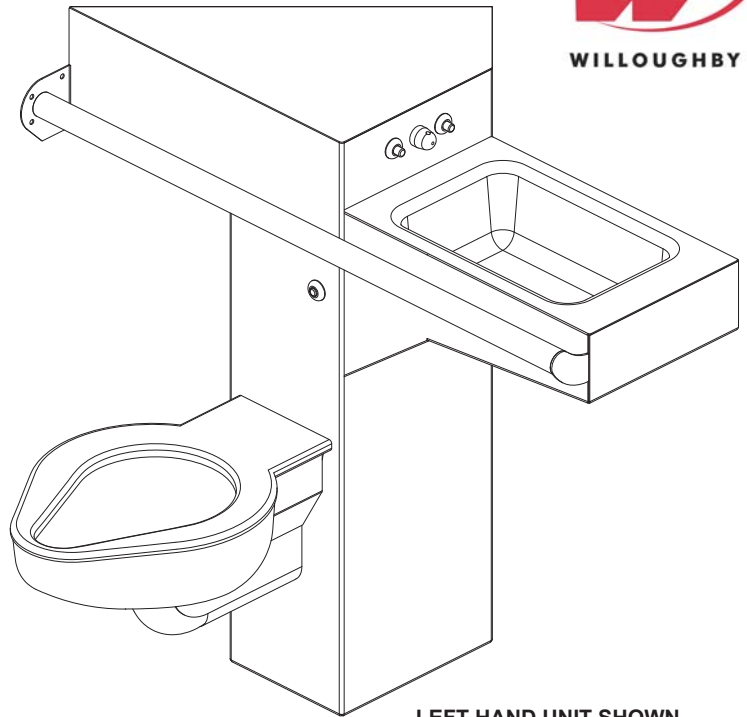
HEALTHCARE PRODUCTS

- SURGICAL SCRUB SINKS _____ H20-1
- BEHAVIOR (LIGATURE-RESISTANT) FIXTURES / ACCESSORIES _____ H21-1
- SHOWER BASES / WALL KITS _____ H22-1
- BARIATRIC FIXTURES _____ H23-1
- PATIENT CARE UNITS _____ H24-1
- DIALYSIS BOXES _____ H25-1
- INFECTION CONTROL FIXTURES _____ H26-1

PARKS AND RECREATION

- OUTDOOR DRINKING FOUNTAIN _____ PR27-1
- OUTDOOR BOTTLE FILLERS _____ PR28-1
- OUTDOOR SHOWERS _____ PR29-1
- WATERLESS TOILETS _____ PR30-1

1545 Series Handicap-ADA Compliant 15" Wide (for 45° Chase) Combination Units



LEFT HAND UNIT SHOWN
(Unit may be shown with optional features)



To specify fixture and accessories, use the Model Number and Options page.

Example: To specify a wall outlet 15" handicap combination unit with angled left toilet, on floor, standard penel filler/bubbler, 1.6 GPF, dual temp, pneumatic metering valve, standard push buttons, lav. elbow waste, lav. fast drain, toilet waste extension, 3" PVC waste coupling, hydraulic flush valve, flush valve connection, recessed tissue holder, and wall sleeve

Use the following Willoughby Model Number:
ECW-1545-L-ON-BP-1.6-PML2-PPB-EB-TWE-TWC3P-FV-FVT-RTH-WS

Recommended Specifications

Handicap 15" (45° chase) combination lavatory/toilet shall be:
Willoughby Model No. **EC__-1545**
(Select from model number and options list on next page)

Fixture shall be fabricated from 14 gauge, type 304 stainless steel, with an angled design for use on a 45° chase. The construction shall be all welded, with exposed stainless surfaces polished to a #4 satin finish.

Standard toilet shall include:

- Elongated toilet bowl with contoured seat
- Integral crevice-free self-draining flushing rim with positive afterfill
- Fully enclosed 2-1/2" O.D. trap which shall maintain a minimum 2" seal and pass a 2-1/8" ball
- Bead blast finish bowl interior

Toilet shall be blowout type, requiring 35 psi min. flushing pressure. Model shall meet the requirements of ASME A112.19.3/CSA B45.4.

Standard lavatory shall include:

- Rectangular-shaped bowl, 14" x 9-1/2" x 5" deep
- Stainless steel bubbler/filler
- Fast drain with air vent
- Elbow waste (1-1/2" F.I.P.)

Unit shall include a grab bar; the grab bar will be welded to the fixture and is intended to be anchored to the wall during installation (wall anchors by others).

Fixture shall withstand loadings of 5,000 lbs. without permanent damage.

Cabinet interior shall be sound deadened with fire-resistant material.

Anchoring shall be by standard 4-point system. Ø1/2" threaded rods, nuts and washers shall be furnished for walls up to 8" thick. Unit shall require chase area for installation and maintenance.

On back to back fixture installations, do not use standard cross type waste fitting: cross flow may result due to blowout jet action. Use sanitary or offset type waste fittings.

Note: For HET 1.28 GPF, unit will pass a 2" ball.

visit our website at www.willoughby-ind.com
5105 West 78th Street • Indianapolis, IN. 46268
(317) 875-0830 • Fax: (317) 875-0837 • (800) 428-4065



MADE IN THE U.S.A.

MODEL NUMBER AND OPTIONS:

1.) Toilet Waste Location:

- ECW Wall Outlet
- ECF Floor Outlet

2.) Base Model Number:

- 1545 15" 45° Handicap Lav-toilet Combination

3.) Toilet Orientation:

- L Angled Left
- R Angled Right

4.) Fixture Mounting:

- OF Off-Floor (ECW only)
- ON On-Floor

5.) Bubblers Selection:

- BP Penal Bubbler/Filler (Standard)
- BC Code Bubbler/Filler (w/ Mouth Guard)
- BPH Ligature-resistant Bubbler/Filler
- FL Penal Lav. Filler
- FLH Ligature-resistant Lav. Filler

6.) Flush Valve GPF (Must Specify):

- 1.28 GPF HET
- 1.6 GPF ULF (Standard)
- 3.5 GPF (3" waste tube required)

7.) Lavatory Valve Selection:

- NV No Valve
- PSL1 Single Temp. Pneumatic Non-metering
- PSL2 Dual Temp. Pneumatic Non-metering
- PML1 Single Temp. Pneumatic Metering
- PML2 Dual Temp. Pneumatic Metering
- E1L1 Single Temp. Electronic (Pick Control)
- E1L2 Dual Temp. Electronic (Pick Control)

Valve Manifold Options:

Pneumatic or Electronic Only:

- MA2 MA3 MA4

8.) Lavatory Push Button Selection:

- PPB Pneumatic Push Buttons
- PBH Ligature-resistant Push Buttons
- EPB Electronic Push Buttons
- EPBH Ligature-resistant Electronic Push Buttons
- PZPB Piezo Electronic Push Buttons

9.) Electronic Controls*

(Must Use Electronic Lavatory & Flush Valves):

- WUCC-3010 Pneutronic WMSII

10.) Lavatory Waste:

- EB Elbow Waste (1-1/2" F.I.P.) (Standard)
- PT Integral 'P'-Trap (1-1/2" F.I.P.)
- LWE Lavatory Waste Extension
- OV Lavatory Overflow
- CW1 Combined Waste w/o Clean-out
- CW2 Combined Waste w/ Clean-out
- LW1 Thru-Wall Extension, 'P'-Trap
- LW2 Thru-Wall Extension & Clean-out
- SLOW Slow Drain

11.) Toilet Waste:

- GWC Gasketed Waste Connection (Standard on ECF)
- TWE Toilet Waste Extension (Standard on ECW)
- TW3 3" Clean-out for (TWE)
- TW4 Floor Outlet Waste Connection
- TW5 4" Clean-out for (TWE)
- PC3 Pinned Clean-out Plug PVC-3"
- PCB3 Pinned Clean-out Plug Brass-3"
- PC4 Pinned Clean-out Plug PVC-4"
- PCB4 Pinned Clean-out Plug Brass-4"
- WO3 3" Toilet 'P'-Trap (3.5 GPF Only)
- COH4 4" Clean-out Hook, 4" PVC Plug

12.) Waste Coupling for (TWE) Toilet Waste Extension:

- TWC3P Connecting to 3" PVC
- TWC3C Connecting to 3" Cast Iron
- TWC4P Connecting to 4" PVC
- TWC4C Connecting to 4" Cast Iron

13.) Other Options:

- T4 Manual Reset Toilet Overflow Preventer, Req. (FV)
 - T4A Auto Reset Toilet Overflow Preventer, Req. (FV)
 - ET4 Electronic Toilet Overflow Preventer, Requires (EFV) & (WUCC-3010) or (WMSII)
 - FV Hydraulic Flush Valve (Includes Push Button)
 - EFV Electronic Flush Valve (Pick Control)
 - EFVP Electronic Flush Valve w/ (PZPB) (Pick Control)
 - TFE Toilet Flush Extension
 - FVT Flush Valve Connection
 - HS Hinged White Plastic Seat (Not recommended for Max. Security/Ligature-resistant use; No Cover)
 - RTHC Recessed Tissue Holder (**Not ADA Compliant**) (Behind Toilet)
 - TB1 Single Toothbrush Holder (Opposite toilet bowl)
 - TB2 Dual Toothbrush Holder (Opposite toilet bowl)
 - TH1 Single Towel Hook (Opposite toilet bowl)
 - TH2 Dual Towel Hook (Opposite toilet bowl)
 - DC Decorator Color (Fixture exterior only - White)
 - TF24H Hard-wired Transformer, 110VAC to 24VAC*
 - TF24P Plug-in Transformer, 110VAC to 24VAC*
 - HPS High Polish Seat
 - VG Vent Grille, 6-1/2"x 9-1/2" (13-3/4 in² free area) (Under Lav. Bowl)
 - MT Wall Template
 - WS Wall Sleeve (Requires Accessible Chase)
 - SK Ligature-resistant Toilet Skirt, (ON) On-Floor Only
 - TG 12 Gauge Cabinet
 - TSC Toilet Shipping Cover
 - GBC Ligature-resistant Grab Bar Closure Plate
 - LVCP Ligature-resistant Lavatory Closure Panel
 - LGB Less Grab Bar
 - PSL1-DMB Deck Mounted Bubbler/Filler**
 - PSL1-DMBH Ligature-resistant DM Bubbler/Filler**
- ** (Panel Mounted Push Button)

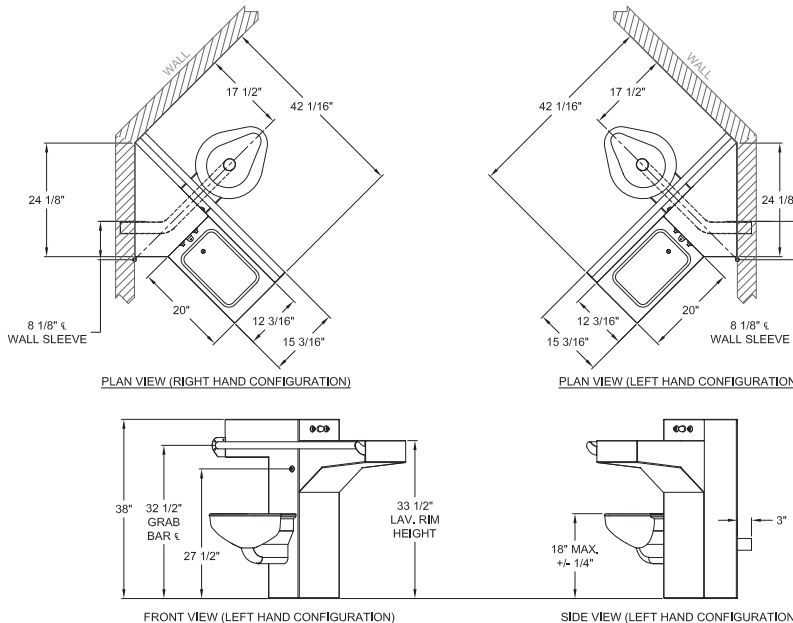
*(Req. 110V power through ground fault interrupter (GFCI) receptacle)

Other _____

Approved For Manufacturing By: _____ Date: _____ Company: _____

Wall Thickness: _____ Wall Type: _____

VERIFY ALL DIMENSIONS WITH FACTORY PRIOR TO ROUGH-IN
 WILLOUGHBY RESERVES THE RIGHT TO MAKE CHANGES IN DESIGN AND DIMENSIONS WITHOUT FORMAL NOTICE AND WITHOUT INCURRING OBLIGATION.



IN COMPLIANCE WITH A.D.A. 2010

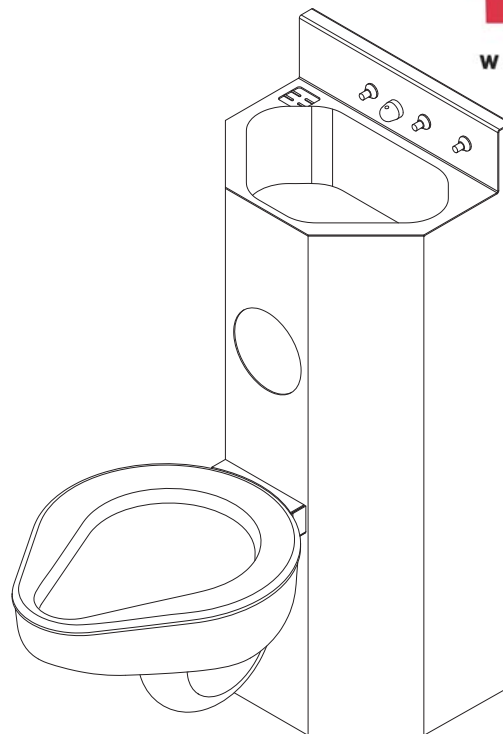
1.6 GPF SHOWN



visit our website at www.willoughby-ind.com
 5105 West 78th Street • Indianapolis, IN. 46268
 (317) 875-0830 • Fax: (317) 875-0837 • (800) 428-4065

MADE IN THE U.S.A.

1546 Series 15" Wide Combination Units



(Unit may be shown with optional features)

To specify fixture and accessories, use the Model Number and Options page.

Example: To specify a wall outlet 15" combination unit with centered toilet, on floor, standard penal filler/bubbler, 1.6 GPF, dual temp. pneumatic metering valve, standard push buttons, lav. elbow waste, lav. fast drain, toilet waste extension, 3" PVC waste coupling, hydraulic flush valve, flush valve connection, center recessed tissue holder, and wall sleeve

Use the following Willoughby Model Number:

ECW-1546-C-ON-BP-1.6-PML2-PPB-EB-TWE-TWC3P-FV-FVT-RTHC-S

Recommended Specifications

15" combination lavatory/toilet shall be:
Willoughby Model No. **EC__-1546**
(Select from model number and options list on next page)

Fixture shall be fabricated from 14 gauge, type 304 stainless steel. The construction shall be all welded, with exposed stainless surfaces polished to a #4 satin finish.

Standard toilet shall include:

- Elongated toilet bowl with contoured seat
- Integral crevice-free self-draining flushing rim with positive afterfill
- Fully enclosed 2-1/2" O.D. trap which shall maintain a minimum 2" seal and pass a 2-1/8" ball
- Bead blast finish bowl interior

Toilet shall be blowout type, requiring 35 psi min. flushing pressure. Model shall meet the requirements of ASME A112.19.3/CSA B45.4.

Standard lavatory shall include:

- Multi-sided bowl, 12-3/4" x 8-1/4" x 5" deep
- Stainless steel bubbler/filler
- Fast drain with air vent
- Elbow waste (1-1/2" F.I.P.)
- Self-draining soap dish

Fixture shall withstand loadings of 5,000 lbs. without permanent damage.

Cabinet interior shall be sound deadened with fire-resistant material.

Anchoring shall be by standard 4-point system. $\varnothing 1/2$ " threaded rods, nuts and washers shall be furnished for walls up to 8" thick. Unit shall require chase area for installation and maintenance.

On back to back fixture installations, do not use standard cross type waste fitting: cross flow may result due to blowout jet action. Use sanitary or offset type waste fittings.

Note: For HET 1.28 GPF, unit will pass a 2" ball.

MODEL NUMBER AND OPTIONS:

1.) Toilet Waste Location:

- ECW Wall Outlet
- ECF Floor Outlet

2.) Base Model Number:

- 1546 15" Lav-toilet Combination

3.) Toilet Orientation:

- L Angled Left
- R Angled Right
- C Centered

4.) Fixture Mounting:

- OF Off-Floor (ECW Only)
- ON On-Floor

5.) Bubblers Selection:

- BP Penal Bubbler/Filler (Standard)
- BC Code Bubbler/Filler (w/ Mouth Guard)
- BPH Ligature-resistant Bubbler/Filler
- FL Penal Lav. Filler
- FLH Ligature-resistant Lav. Filler

6.) Flush Valve GPF (Must Specify):

- 1.28 GPF HET
- 1.6 GPF ULF (Standard)
- 3.5 GPF (3" waste tube required)

7.) Lavatory Valve Selection:

- NV No Valve
- PSL1 Single Temp. Pneumatic Non-metering
- PSL2 Dual Temp. Pneumatic Non-metering
- PML1 Single Temp. Pneumatic Metering
- PML2 Dual Temp. Pneumatic Metering
- E1L1 Single Temp. Electronic (Pick Control)
- E1L2 Dual Temp. Electronic (Pick Control)

Valve Manifold Options:

Pneumatic or Electronic Only:

- MA2 MA3 MA4

8.) Lavatory Push Button Selection:

- PPB Pneumatic Push Buttons
- PBH Ligature-resistant Push Buttons
- EPB Electronic Push Buttons
- EPBH Ligature-resistant Electronic Push Buttons
- PZPB Piezo Electronic Push Buttons

9.) Electronic Controls*

(Must Use Electronic Lavatory & Flush Valves):

- WUCC-3010 Pneutronic WMSII

10.) Lavatory Waste:

- EB Elbow Waste (1-1/2" F.I.P.) (Standard)
- PT Integral 'P'-Trap (1-1/2" F.I.P.)
- LWE Lavatory Waste Extension
- OV Lavatory Overflow
- CW1 Combined Waste w/o Clean-out
- CW2 Combined Waste w/ Clean-out
- LW1 Thru-Wall Extension, 'P'-Trap
- LW2 Thru-Wall Extension & Clean-out
- SLOW Slow Drain

11.) Toilet Waste:

- GWC Gasketed Waste Connection (Standard on ECF)
- TWE Toilet Waste Extension (Standard on ECW)
- TW3 3" Clean-out for (TWE)
- TW4 Floor Outlet Waste Connection
- TW5 4" Clean-out for (TWE)
- PC3 Pinned Clean-out Plug PVC-3"
- PCB3 Pinned Clean-out Plug Brass-3"
- PC4 Pinned Clean-out Plug PVC-4"
- PCB4 Pinned Clean-out Plug Brass-4"
- WO3 3" Toilet 'P'-Trap (3.5 GPF Only)
- COH4 4" Clean-out Hook, 4" PVC Plug

**(Req. 110V power through ground fault interrupter (GFCI) receptacle)*

12.) Waste Coupling for (TWE) Toilet Waste Extension:

- TWC3P Connecting to 3" PVC
- TWC3C Connecting to 3" Cast Iron
- TWC4P Connecting to 4" PVC
- TWC4C Connecting to 4" Cast Iron

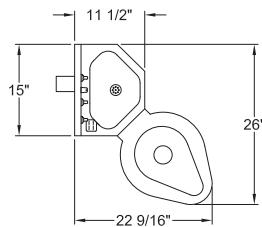
13.) Other Options:

- T4 Manual Reset Toilet Overflow Preventer, Req. (FV)
- T4A Auto Reset Toilet Overflow Preventer, Req. (FV)
- ET4 Electronic Toilet Overflow Preventer, Requires (EFV) & (WUCC-3010) or (WMSII)
- FV Hydraulic Flush Valve (Includes Push Button)
- EFV Electronic Flush Valve (Pick Control)
- EFVP Electronic Flush Valve w/ (PZPB) (Pick Control)
- TFE Toilet Flush Extension
- FVT Flush Valve Connection
- HS Hinged White Plastic Seat (Not recommended for Max. Security/Ligature-resistant use; No Cover)
- RTH__ Recessed Tissue Holder
 - L LF C RF R
- ISH Integral Shelf
- TB1__ Single Toothbrush Holder
 - L R
- TB2__ Dual Toothbrush Holder
 - L R
- TH1__ Single Towel Hook
 - L LF C RF R
- TH2__ Dual Towel Hook
 - L LF C RF R
- DC Decorator Color (Fixture exterior only - White)
- TF24H Hard-wired Transformer, 110VAC to 24VAC*
- TF24P Plug-in Transformer, 110VAC to 24VAC*
- HPS High Polish Seat
- VG Vent Grille, 6-1/2"x 9-1/2" (13-3/4 in² free area)
 - L LF RF R
- MT Wall Template
- WS Wall Sleeve (Requires Accessible Chase)
- SK Ligature-resistant Toilet Skirt, (ON) On-Floor Only
- TG 12 Gauge Cabinet
- TSC Toilet Shipping Cover
- Other _____
- Other _____

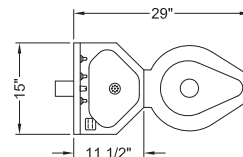
Approved For Manufacturing By: _____ Date: _____ Company: _____

Wall Thickness: _____ Wall Type: _____

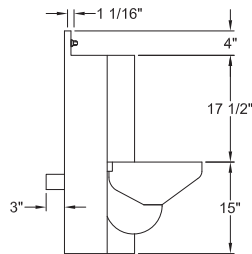
VERIFY ALL DIMENSIONS WITH FACTORY PRIOR TO ROUGH-IN
 WILLOUGHBY RESERVES THE RIGHT TO MAKE CHANGES IN DESIGN AND DIMENSIONS WITHOUT FORMAL NOTICE AND WITHOUT INCURRING OBLIGATION.



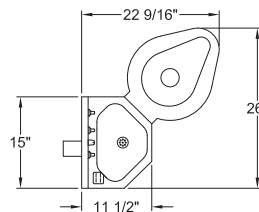
PLAN VIEW
LEFT HAND CONFIGURATION



PLAN VIEW
CENTER CONFIGURATION



SIDE VIEW



PLAN VIEW
RIGHT HAND CONFIGURATION

visit our website at www.willoughby-ind.com

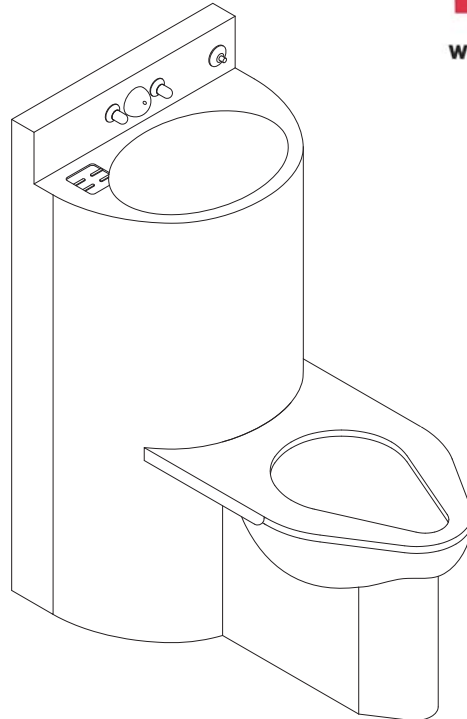
5105 West 78th Street • Indianapolis, IN. 46268

(317) 875-0830 • Fax: (317) 875-0837 • (800) 428-4065



MADE IN THE U.S.A.

1806 Series Ligature-resistant 18" Wide Combination Units



(Unit may be shown with optional features)

To specify fixture and accessories, use the Model Number and Options page.

Example: To specify a wall outlet ligature-resistant 18" combination unit with centered toilet, on floor, standard ligature-resistant filler/bubbler, 1.6 GPF, dual temp. pneumatic metering valve, standard ligature-resistant push buttons, lav. elbow waste, lav. slow drain, toilet waste extension, 3" PVC waste coupling, hydraulic flush valve, flush valve connection, and wall sleeve

Use the following Willoughby Model Number:

ECW-1806-C-ON-BPH-1.6-PML2-PBH-EB-SLOW-TWE-TWC3P-FV-FVT-WS

Recommended Specifications

Ligature-resistant 18" combination lavatory/toilet shall be:
Willoughby Model No. **EC__-1806**
(Select from model number and options list on next page)

Fixture shall be fabricated from 14 gauge, type 304 stainless steel, with a rounded, ligature-resistant design. The construction shall be all welded, with exposed stainless surfaces polished to a #4 satin finish.

Standard toilet shall include:

- Ligature resistant toilet skirt (extends to floor)
- Elongated toilet bowl with contoured seat
- Integral crevice-free self-draining flushing rim with positive afterfill
- Fully enclosed 2-1/2" O.D. trap which shall maintain a minimum 2" seal and pass a 2-1/8" ball
- Bead blast finish bowl interior

Toilet shall be blowout type, requiring 35 psi min. flushing pressure. Model shall meet the requirements of ASME A112.19.3/CSA B45.4.

Standard lavatory shall include:

- Oval-shaped bowl, 13" x 9-1/2" x 6" deep
- Stainless steel ligature-resistant bubbler/filler
- Slow drain with air vent
- Elbow waste (1-1/2" F.I.P.)
- Self-draining soap dish

Fixture shall withstand loadings of 5,000 lbs. without permanent damage.

Cabinet interior shall be sound deadened with fire-resistant material.

Anchoring shall be by standard 4-point system. \varnothing 1/2" threaded rods, nuts and washers shall be furnished for walls up to 8" thick. Unit shall require chase area for installation and maintenance.

On back to back fixture installations, do not use standard cross type waste fitting: cross flow may result due to blowout jet action. Use sanitary or offset type waste fittings.

Note: For HET 1.28 GPF, unit will pass a 2" ball.

visit our website at www.willoughby-ind.com
5105 West 78th Street • Indianapolis, IN. 46268
(317) 875-0830 • Fax: (317) 875-0837 • (800) 428-4065



MADE IN THE U.S.A.

MODEL NUMBER AND OPTIONS:

1.) Toilet Waste Location:

- ECW Wall Outlet
- ECF Floor Outlet

2.) Base Model Number:

- 1806 Ligature-resistant 18" Lav-toilet Combination

3.) Toilet Orientation:

- L Angled Left
- R Angled Right
- C Centered

4.) Fixture Mounting:

- ON On-Floor (Standard)

5.) Bubblers Selection:

- BPH Ligature-resistant Bubbler/Filler (Standard)
- FLH Ligature-resistant Lav. Filler

6.) Flush Valve GPF (Must Specify):

- 1.28 GPF HET
- 1.6 GPF ULF (Standard)
- 3.5 GPF (3" waste tube required)

7.) Lavatory Valve Selection:

- NV No Valve
- PSL1 Single Temp. Pneumatic Non-metering
- PSL2 Dual Temp. Pneumatic Non-metering
- PML1 Single Temp. Pneumatic Metering
- PML2 Dual Temp. Pneumatic Metering
- E1L1 Single Temp. Electronic (Pick Control)
- E1L2 Dual Temp. Electronic (Pick Control)

Valve Manifold Options:

Pneumatic or Electronic Only:

- MA2
- MA3
- MA4

8.) Lavatory Push Button Selection:

- PBH Ligature-resistant Push Buttons
- EPBH Ligature-resistant Electronic Push Buttons
- PZPB Piezo Electronic Push Buttons

9.) Electronic Controls*

(Must Use Electronic Lavatory & Flush Valves):

- WUCC-3010
- Pnautronic
- WMSII

10.) Lavatory Waste:

- EB Elbow Waste (1-1/2" F.I.P.) (Standard)
- PT Integral 'P'-Trap (1-1/2" F.I.P.)
- LWL Lavatory Waste Extension
- OV Lavatory Overflow
- CW1 Combined Waste w/o Clean-out
- CW2 Combined Waste w/ Clean-out
- LW1 Thru-Wall Extension, 'P'-Trap
- LW2 Thru-Wall Extension & Clean-out
- SLOW Slow Drain (Standard)

11.) Toilet Waste:

- GWC Gasketed Waste Connection (Standard on ECF)
- TWE Toilet Waste Extension (Standard on ECW)
- TW3 3" Clean-out for (TWE)
- TW4 Floor Outlet Waste Connection
- TW5 4" Clean-out for (TWE)
- PC3 Pinned Clean-out Plug PVC-3"
- PCB3 Pinned Clean-out Plug Brass-3"
- PC4 Pinned Clean-out Plug PVC-4"
- PCB4 Pinned Clean-out Plug Brass-4"
- WO3 3" Toilet 'P'-Trap (3.5 GPF Only)
- COH4 4" Clean-out Hook, 4" PVC Plug

12.) Waste Coupling for (TWE) Toilet Waste Extension:

- TWC3P Connecting to 3" PVC
- TWC3C Connecting to 3" Cast Iron
- TWC4P Connecting to 4" PVC
- TWC4C Connecting to 4" Cast Iron

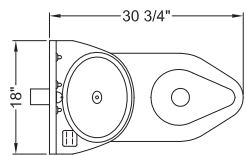
13.) Other Options:

- T4 Manual Reset Toilet Overflow Preventer, Req. (FV)
- T4A Auto Reset Toilet Overflow Preventer, Req. (FV)
- ET4 Electronic Toilet Overflow Preventer, Requires (EFV) & (WUCC-3010) or (WMSII)
- FV Hydraulic Flush Valve (Includes Push Button)
- EFV Electronic Flush Valve (Pick Control)
- EFVP Electronic Flush Valve w/ (PZPB) (Pick Control)
- TFE Toilet Flush Extension
- FVT Flush Valve Connection
- RTH__Recessed Tissue Holder
 - L
 - R
- TH1__Single Towel Hook
 - L
 - R
- TH2__Dual Towel Hook
 - L
 - R
- DC Decorator Color (Fixture exterior only - White)
- TF24H Hard-wired Transformer, 110VAC to 24VAC*
- TF24P Plug-in Transformer, 110VAC to 24VAC*
- HPS High Polish Seat
- MT Wall Template
- WS Wall Sleeve (Requires Accessible Chase)
- TG 12 Gauge Cabinet
- TSC Toilet Shipping Cover
- Other _____
- Other _____

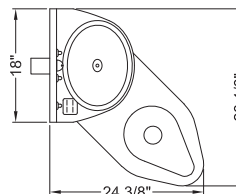
*(Req. 110V power through ground fault interrupter (GFCI) receptacle)

Approved For Manufacturing By: _____ Date: _____ Company: _____
 Wall Thickness: _____ Wall Type: _____

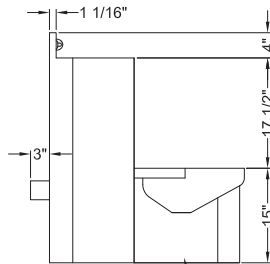
VERIFY ALL DIMENSIONS WITH FACTORY PRIOR TO ROUGH-IN
 WILLOUGHBY RESERVES THE RIGHT TO MAKE CHANGES IN DESIGN AND DIMENSIONS WITHOUT FORMAL NOTICE AND WITHOUT INCURRING OBLIGATION.



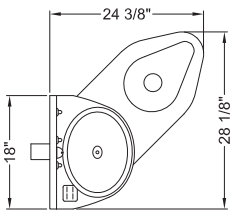
PLAN VIEW
CENTER CONFIGURATION



PLAN VIEW
LEFT HAND CONFIGURATION



SIDE VIEW
INTEGRAL LIGATURE-RESISTANT SKIRT



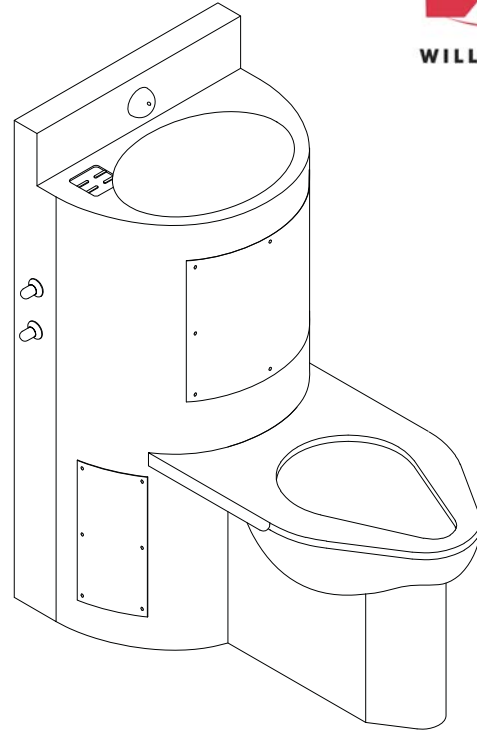
PLAN VIEW
RIGHT HAND CONFIGURATION

visit our website at www.willoughby-ind.com
 5105 West 78th Street • Indianapolis, IN. 46268
 (317) 875-0830 • Fax: (317) 875-0837 • (800) 428-4065



MADE IN THE U.S.A.

1806-FA Series Ligature-resistant Front Access 18" Wide Combination Unit



(Unit may be shown with optional features)

To specify fixture and accessories, use the Model Number and Options page.

Example: To specify a wall outlet ligature-resistant front-access 18" combination unit with center toilet, standard ligature-resistant filler/bubbler, 1.6 GPF, dual temp. pneumatic metering valve, standard ligature-resistant push buttons, removable lav. 'p' trap, lav. slow drain, standard gasketed waste connection, hydraulic flush valve, and wall template

Use the following Willoughby Model Number:

ECW-1806-FA-C-ON-BPH-1.6-PML2-PBH-RPT-SLOW-GWC-FV

Recommended Specifications

Ligature-resistant 18" front access combination lav./toilet shall be:
Willoughby Model No. **EC__-1806-FA**
(Select from model number and options list on next page)

Fixture shall be fabricated from 14 gauge, type 304 stainless steel. The construction shall be all welded, with exposed stainless surfaces polished to a #4 satin finish. Removable access panels, attached w/ security screws shall provide access to fixture interior.

Standard toilet shall include:

- Ligature resistant toilet skirt (extends to floor)
- Elongated toilet bowl with contoured seat
- Integral crevice-free self-draining flushing rim with positive afterfill
- Fully enclosed 2-1/2" O.D. trap which shall maintain a minimum 2" seal and pass a 2-1/8" ball

Toilet shall be blowout type which requires 35 psi minimum flushing pressure. Model shall meet the requirements of ASME A112.19.3/CSA B45.4.

Standard lavatory shall include:

- Oval shaped bowl, 13" x 9-1/2" x 6" deep
- Stainless steel ligature-resistant bubbler/filler
- Slow drain with air vent
- Slip-joint brass union 'P'-trap (1-1/2" N.P.T.)
- Self-draining soap dish

Fixture shall withstand loadings of 5,000 lbs. without permanent damage.

Cabinet interior shall be sound deadened with fire-resistant material.

Optionally selected lavatory valve and flush valve shall be factory installed inside fixture cabinet.

Anchoring shall be from the front, anchoring holes provided. Anchoring hardware provided by others. Standard unit requires no chase area for installation and maintenance, however certain non-standard options may require an accessible chase (see options list for details).

On back to back fixture installations, do not use standard cross type waste fitting: cross flow may result due to blowout jet action. Use sanitary or offset type waste fittings.

Note: For HET 1.28 GPF, unit will pass a 2" ball.

visit our website at www.willoughby-ind.com
5105 West 78th Street • Indianapolis, IN. 46268
(317) 875-0830 • Fax: (317) 875-0837 • (800) 428-4065



MADE IN THE U.S.A.

MODEL NUMBER AND OPTIONS:

1.) Toilet Waste Location:

- ECW Wall Outlet
- ECF Floor Outlet

2.) Base Model Number:

- 1806-FA Ligature-resistant Front Access 18" Lav-toilet Combination

3.) Toilet Orientation:

- L Angled Left
- R Angled Right
- C Centered

4.) Fixture Mounting:

- ON On-Floor

5.) Bubblor Selection:

- BPH Ligature-resistant Bubblor/Filler (Standard)
- FLH Ligature-resistant Lav. Filler

6.) Flush Valve GPF (Must Specify):

- 1.28 GPF HET
- 1.6 GPF ULF (Standard)
- 3.5 GPF (3" waste tube required)

7.) Lavatory Valve Selection:

- NV No Valve
- PSL1 Single Temp. Pneumatic Non-metering
- PSL2 Dual Temp. Pneumatic Non-metering
- PML1 Single Temp. Pneumatic Metering
- PML2 Dual Temp. Pneumatic Metering
- E1L1 Single Temp. Electronic (Pick Control)
- E1L2 Dual Temp. Electronic (Pick Control)

8.) Lavatory Push Button Selection:

- PBH Ligature-resistant Push Buttons
- EPBH Ligature-resistant Electronic Push Buttons
- PZPB Piezo Electronic Push Buttons

9.) Electronic Controls*

- (Must Use Electronic Lavatory & Flush Valves):
- WUCC-3010 Pneutronic WMSII

10.) Lavatory Waste:

- RPT Removable 'P'-Trap (1-1/2" N.P.T.) (Standard)
- OV Lavatory Overflow
- CW1 Combined Waste w/o Clean-out
- CW2 Combined Waste w/ Clean-out
- SLOW Slow Drain (Standard)

11.) Toilet Waste:

- GWC Gasketed Waste Connection (Standard)
- TWE Toilet Waste Extension (Requires Accessible Chase)
- WO3 3" Toilet 'P'-Trap (3.5 GPF Only)

12.) Waste Coupling for (TWE) Toilet Waste Extension:

- TWC3P Connecting to 3" PVC
- TWC3C Connecting to 3" Cast Iron
- TWC4P Connecting to 4" PVC
- TWC4C Connecting to 4" Cast Iron

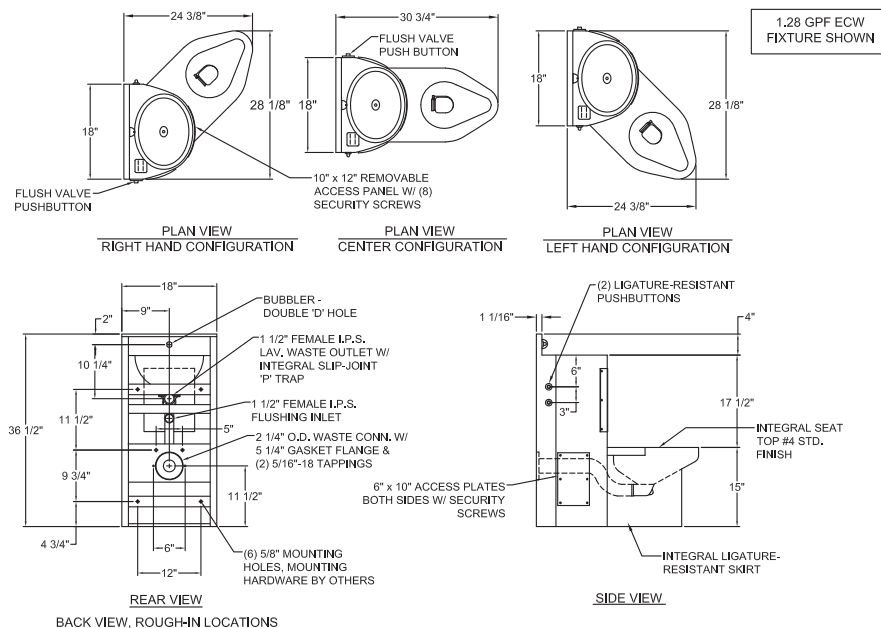
13.) Other Options:

- T4 Manual Reset Toilet Overflow Preventer, Req. (FV)
- T4A Auto Reset Toilet Overflow Preventer, Req. (FV)
- ET4 Electronic Toilet Overflow Preventer, Requires (EFV) & (WUCC-3010) or (WMSII)
- FV Hydraulic Flush Valve (Includes Push Button)
- EFV Electronic Flush Valve (Pick Control)
- EFVP Electronic Flush Valve w/ (PZPB) (Pick Control)
- RTH__Recessed Tissue Holder
 - LF -Left Front for C/R Toilet Orientation
 - RF -Right Front for L Toilet Orientation
- TH1__Single Towel Hook
 - L
 - R
- TH2__Dual Towel Hook
 - L
 - R
- DC Decorator Color (Fixture exterior only - White)
- TF24H Hard-wired Transformer, 110VAC to 24VAC*
- TF24P Plug-in Transformer, 110VAC to 24VAC*
- HPS High Polish Seat
- MT Wall Template
- WS Wall Sleeve (Requires Accessible Chase)
- TG 12 Gauge Cabinet
- TSC Toilet Shipping Cover
- Other _____
- Other _____

*(Req. 110V power through ground fault interrupter (GFCI) receptacle)

Approved For Manufacturing By: _____ Date: _____ Company: _____
 Wall Thickness: _____ Wall Type: _____

VERIFY ALL DIMENSIONS WITH FACTORY PRIOR TO ROUGH-IN
 WILLOUGHBY RESERVES THE RIGHT TO MAKE CHANGES IN DESIGN AND DIMENSIONS WITHOUT FORMAL NOTICE AND WITHOUT INCURRING OBLIGATION.

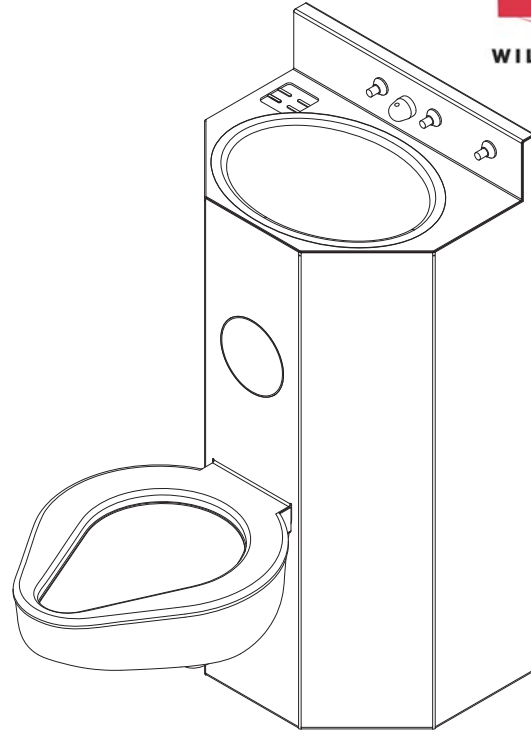


visit our website at www.willoughby-ind.com
 5105 West 78th Street • Indianapolis, IN. 46268
 (317) 875-0830 • Fax: (317) 875-0837 • (800) 428-4065



MADE IN THE U.S.A.

1846 Series 18" Wide Combination Units



(Unit may be shown with optional features)

To specify fixture and accessories, use the Model Number and Options page.

Example: To specify a wall outlet 18" combination unit with centered toilet, on floor, standard penal filler/bubbler, 1.6 GPF, dual temp. pneumatic metering valve, standard push buttons, lav. elbow waste, lav. fast drain, toilet waste extension, 3" PVC waste coupling, hydraulic flush valve, flush valve connection, center recessed tissue holder, and wall sleeve

Use the following Willoughby Model Number:

ECW-1846-C-ON-BP-1.6-PML2-PPB-EB-TWE-TWC3P-FV-FVT-RTHC-WS

Recommended Specifications

18" combination lavatory/toilet shall be:
Willoughby Model No. **EC__-1846**
(Select from model number and options list on next page)

Fixture shall be fabricated from 14 gauge, type 304 stainless steel. The construction shall be all welded, with exposed stainless surfaces polished to a #4 satin finish.

Standard toilet shall include:

- Elongated toilet bowl with contoured seat
- Integral crevice-free self-draining flushing rim with positive afterfill
- Fully enclosed 2-1/2" O.D. trap which shall maintain a minimum 2" seal and pass a 2-1/8" ball
- Bead blast finish bowl interior

Toilet shall be blowout type, requiring 35 psi min. flushing pressure. Model shall meet the requirements of ASME A112.19.3/CSA B45.4.

Standard lavatory shall include:

- Oval-shaped bowl, 13" x 9-1/2" x 5-1/2" deep
- Stainless steel bubbler/filler
- Fast drain with air vent
- Elbow waste (1-1/2" F.I.P.)
- Self-draining soap dish

Fixture shall withstand loadings of 5,000 lbs. without permanent damage.

Cabinet interior shall be sound deadened with fire-resistant material.

Anchoring shall be by standard 4-point system. Ø1/2" threaded rods, nuts and washers shall be furnished for walls up to 8" thick. Unit shall require chase area for installation and maintenance.

On back to back fixture installations, do not use standard cross type waste fitting: cross flow may result due to blowout jet action. Use sanitary or offset type waste fittings.

Note: For HET 1.28 GPF, unit will pass a 2" ball.

MODEL NUMBER AND OPTIONS:

1.) Toilet Waste Location:

- ECW Wall Outlet
- ECF Floor Outlet

2.) Base Model Number:

- 1846 18" Lav-toilet Combination

3.) Toilet Orientation:

- L Angled Left
- R Angled Right
- C Centered

4.) Fixture Mounting:

- OF Off-Floor (ECW Only)
- ON On-Floor

5.) Bubblers Selection:

- BP Penal Bubbler/Filler (Standard)
- BC Code Bubbler/Filler (w/ Mouth Guard)
- BPH Ligature-resistant Bubbler/Filler
- FL Penal Lav. Filler
- FLH Ligature-resistant Lav. Filler

6.) Flush Valve GPF (Must Specify):

- 1.28 GPF HET
- 1.6 GPF ULF (Standard)
- 3.5 GPF (3" waste tube required)

7.) Lavatory Valve Selection:

- NV No Valve
- PSL1 Single Temp. Pneumatic Non-metering
- PSL2 Dual Temp. Pneumatic Non-metering
- PML1 Single Temp. Pneumatic Metering
- PML2 Dual Temp. Pneumatic Metering
- E1L1 Single Temp. Electronic (Pick Control)
- E1L2 Dual Temp. Electronic (Pick Control)

Valve Manifold Options:

Pneumatic or Electronic Only:

- MA2 MA3 MA4

8.) Lavatory Push Button Selection:

- PPB Pneumatic Push Buttons
- PBH Ligature-resistant Push Buttons
- EPB Electronic Push Buttons
- EPBH Ligature-resistant Electronic Push Buttons
- PZPB Piezo Electronic Push Buttons

9.) Electronic Controls*

(Must Use Electronic Lavatory & Flush Valves):

- WUCC-3010 Pneutronic WMSII

10.) Lavatory Waste:

- EB Elbow Waste (1-1/2" F.I.P.) (Standard)
- PT Integral 'P'-Trap (1-1/2" F.I.P.)
- LWE Lavatory Waste Extension
- OV Lavatory Overflow
- CW1 Combined Waste w/o Clean-out
- CW2 Combined Waste w/ Clean-out
- LW1 Thru-Wall Extension, 'P'-Trap
- LW2 Thru-Wall Extension & Clean-out
- SLOW Slow Drain

11.) Toilet Waste:

- GWC Gasketed Waste Connection (Standard on ECF)
- TWE Toilet Waste Extension (Standard on ECW)
- TW3 3" Clean-out for (TWE)
- TW4 Floor Outlet Waste Connection
- TW5 4" Clean-out for (TWE)
- PC3 Pinned Clean-out Plug PVC-3"
- PCB3 Pinned Clean-out Plug Brass-3"
- PC4 Pinned Clean-out Plug PVC-4"
- PCB4 Pinned Clean-out Plug Brass-4"
- WO3 3" Toilet 'P'-Trap (3.5 GPF Only)
- COH4 4" Clean-out Hook, 4" PVC Plug

12.) Waste Coupling for (TWE) Toilet Waste Extension:

- TWC3P Connecting to 3" PVC
- TWC3C Connecting to 3" Cast Iron
- TWC4P Connecting to 4" PVC
- TWC4C Connecting to 4" Cast Iron

13.) Other Options:

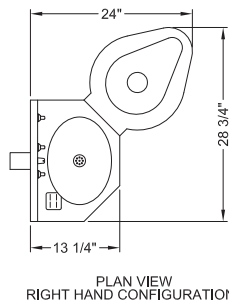
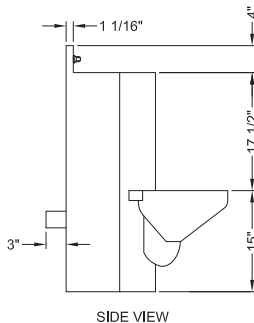
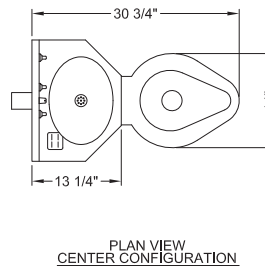
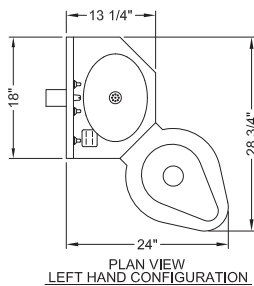
- T4 Manual Reset Toilet Overflow Preventer, Req. (FV)
- T4A Auto Reset Toilet Overflow Preventer, Req. (FV)
- ET4 Electronic Toilet Overflow Preventer, Requires (EFV) & (WUCC-3010) or (WMSII)
- FV Hydraulic Flush Valve (Includes Push Button)
- EFV Electronic Flush Valve (Pick Control)
- EFVP Electronic Flush Valve w/ (PZPB) (Pick Control)
- TFE Toilet Flush Extension
- FVT Flush Valve Connection
- HS Hinged White Plastic Seat (Not recommended for Max. Security/Ligature-resistant use; No Cover)
- RTH__Recessed Tissue Holder
 - L LF C RF R
- ISH Integral Shelf
- TB1__Single Toothbrush Holder
 - L R
- TB2__Dual Toothbrush Holder
 - L R
- TH1__Single Towel Hook
 - L LF C RF R
- TH2__Dual Towel Hook
 - L LF C RF R
- DC Decorator Color (Fixture exterior only - White)
- TF24H Hard-wired Transformer, 110VAC to 24VAC*
- TF24P Plug-in Transformer, 110VAC to 24VAC*
- HPS High Polish Seat
- VG Vent Grille, 6-1/2"x 9-1/2" (13-3/4 in² free area)
 - L LF RF R
- MT Wall Template
- WS Wall Sleeve (Requires Accessible Chase)
- SK Ligature-resistant Toilet Skirt, (ON) On-Floor Only
- TG 12 Gauge Cabinet
- TSC Toilet Shipping Cover
- Other _____
- Other _____

*(Req. 110V power through ground fault interrupter (GFCI) receptacle)

Approved For Manufacturing By: _____ Date: _____ Company: _____

Wall Thickness: _____ Wall Type: _____

VERIFY ALL DIMENSIONS WITH FACTORY PRIOR TO ROUGH-IN
 WILLOUGHBY RESERVES THE RIGHT TO MAKE CHANGES IN DESIGN AND DIMENSIONS WITHOUT FORMAL NOTICE AND WITHOUT INCURRING OBLIGATION.

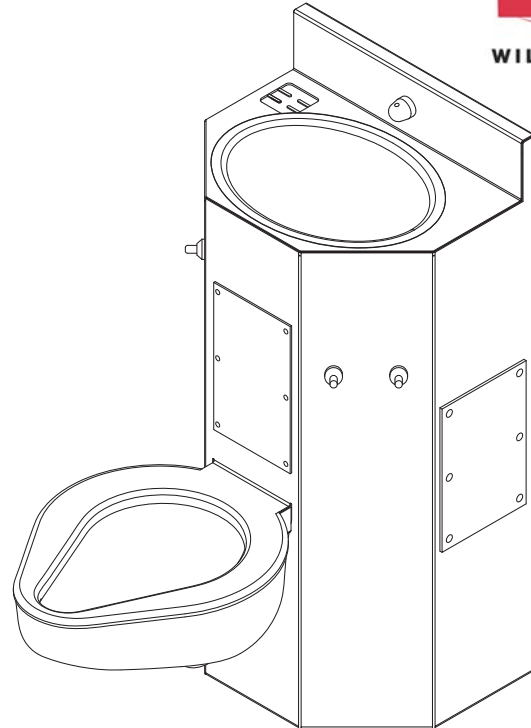


visit our website at www.willoughby-ind.com
 5105 West 78th Street • Indianapolis, IN. 46268
 (317) 875-0830 • Fax: (317) 875-0837 • (800) 428-4065



MADE IN THE U.S.A.

1846-FA Series Front Access 18" Wide Combination Units



(Unit may be shown with optional features)

To specify fixture and accessories, use the Model Number and Options page.

Example: To specify a wall outlet front access 18" combination unit with centered toilet, standard penal filler/bubbler, 1.6 GPF, dual temp, pneumatic metering valve, standard push buttons, removable lav. 'p' trap, lav. fast drain, standard gasketed waste connection, hydraulic flush valve, left recessed tissue holder (for Centered toilet), and wall template

Use the following Willoughby Model Number:

ECW-1846-FA-C-ON-BP-1.6-PML2-PPB-RPT-GWC-FV-RTHL-MT

Recommended Specifications

Front access 18" combination lavatory/toilet shall be:
Willoughby Model No. **EC__-1846-FA**
(Select from model number and options list on next page)

Fixture shall be fabricated from 14 gauge, type 304 stainless steel. The construction shall be all welded, with exposed stainless surfaces polished to a #4 satin finish. Removable access panels, attached w/ security screws, shall provide access to fixture interior.

Standard toilet shall include:

- Elongated toilet bowl with contoured seat
- Integral crevice-free self-draining flushing rim with positive afterfill
- Fully enclosed 2-1/2" O.D. trap which shall maintain a minimum 2" seal and pass a 2-1/8" ball
- Bead blast finish bowl interior

Toilet shall be blowout type, requiring 35 psi min. flushing pressure. Model shall meet the requirements of ASME A112.19.3/CSA B45.4.

Standard lavatory shall include:

- Oval-shaped bowl, 13" x 9-1/2" x 5-1/2" deep
- Stainless steel bubbler/filler
- Fast drain with air vent
- Removable slip-joint brass union 'P' trap (1-1/2" N.P.T.)
- Self-draining soap dish

Fixture shall withstand loadings of 5,000 lbs. without permanent damage.

Cabinet interior shall be sound deadened with fire-resistant material.

Optionally selected lavatory valve and flush valve shall be factory installed inside fixture cabinet.

Anchoring shall be from the front, anchoring holes provided. Anchoring hardware provided by others. Standard unit requires no chase area for installation and maintenance, however certain non-standard options may require an accessible chase (see options list for details).

On back to back fixture installations, do not use standard cross type waste fitting: cross flow may result due to blowout jet action. Use sanitary or offset type waste fittings.

Note: For HET 1.28 GPF, unit will pass a 2" ball.

MODEL NUMBER AND OPTIONS:

1.) Toilet Waste Location:

- ECW Wall Outlet
- ECF Floor Outlet

2.) Base Model Number:

- 1846-FA Front Access 18" Lav-toilet Combination

3.) Toilet Orientation:

- L Angled Left
- R Angled Right
- C Centered

4.) Fixture Mounting:

- ON On-Floor

5.) Bubblers Selection:

- BP Penal Bubbler/Filler (Standard)
- BC Code Bubbler/Filler (w/ Mouth Guard)
- BPH Ligature-resistant Bubbler/Filler
- FL Penal Lav. Filler
- FLH Ligature-resistant Lav. Filler

6.) Flush Valve GPF (Must Specify):

- 1.28 GPF HET
- 1.6 GPF ULF (Standard)
- 3.5 GPF (3" waste tube required)

7.) Lavatory Valve Selection:

- NV No Valve
- PSL1 Single Temp. Pneumatic Non-metering
- PSL2 Dual Temp. Pneumatic Non-metering
- PML1 Single Temp. Pneumatic Metering
- PML2 Dual Temp. Pneumatic Metering
- E1L1 Single Temp. Electronic (Pick Control)
- E1L2 Dual Temp. Electronic (Pick Control)

8.) Lavatory Push Button Selection:

- PPB Pneumatic Push Buttons
- PBH Ligature-resistant Push Buttons
- EPB Electronic Push Buttons
- EPBH Ligature-resistant Electronic Push Buttons
- PZPB Piezo Electronic Push Buttons

9.) Electronic Controls*

(Must Use Electronic Lavatory & Flush Valves):

- WUCC-3010 Pneutronic WMSII

10.) Lavatory Waste:

- RPT Removable 'P'-Trap (1-1/2" N.P.T.) (Standard)
- OV Lavatory Overflow
- CW1 Combined Waste w/o Clean-out
- CW2 Combined Waste w/ Clean-out
- SLOW Slow Drain

11.) Toilet Waste:

- GWC Gasketed Waste Connection (Standard)
- TWE Toilet Waste Extension (Requires Accessible Chase)
- TW4 Floor Outlet Waste Connection
- WO3 3" Toilet 'P' Trap (3.5 GPF Only)

12.) Waste Coupling for (TWE) Toilet Waste

Extension:

- TWC3P Connecting to 3" PVC
- TWC3C Connecting to 3" Cast Iron
- TWC4P Connecting to 4" PVC
- TWC4C Connecting to 4" Cast Iron

13.) Other Options:

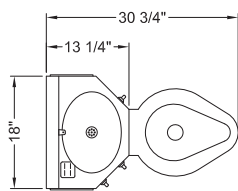
- T4 Manual Reset Toilet Overflow Preventer, Req. (FV)
- T4A Auto Reset Toilet Overflow Preventer, Req. (FV)
- ET4 Electronic Toilet Overflow Preventer, Requires (EFV) & (WUCC-3010) or (WMSII)
- FV Hydraulic Flush Valve (Includes Push Button)
- EFV Electronic Flush Valve (Pick Control)
- EFVP Electronic Flush Valve w/ (PZPB) (Pick Control)
- HS Hinged White Plastic Seat (Not recommended for Max. Security/Ligature-resistant use; No Cover)
- RTH__ Recessed Tissue Holder
 - L -Left Side Holder for C & R Toilet Orientation
 - R -Right Side Holder for L Toilet Orientation
- ISH Integral Shelf
- TB1__ Single Toothbrush Holder
 - L R
- TB2__ Dual Toothbrush Holder
 - L R
- TH1__ Single Towel Hook
 - L LF C RF R
- TH2__ Dual Towel Hook
 - L LF C RF R
- DC Decorator Color (Fixture exterior only - White)
- TF24H Hard-wired Transformer, 110VAC to 24VAC*
- TF24P Plug-in Transformer, 110VAC to 24VAC*
- HPS High Polish Seat
- VG Vent Grille, 6-1/2"x 9-1/2" (13-3/4 in² free area)
 - L LF RF R
- MT Wall Template
- WS Wall Sleeve (Requires Accessible Chase)
- SK Ligature-resistant Toilet Skirt
- TG 12 Gauge Cabinet
- TSC Toilet Shipping Cover
- Other _____
- Other _____

*(Req. 110V power through ground fault interrupter (GFCI) receptacle)

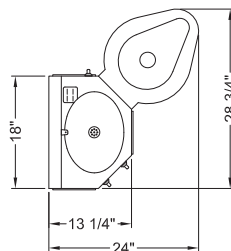
Approved For Manufacturing By: _____ Date: _____ Company: _____

Wall Thickness: _____ Wall Type: _____

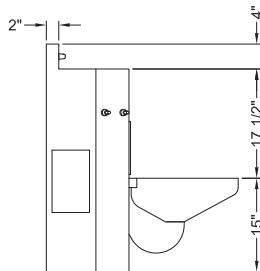
VERIFY ALL DIMENSIONS WITH FACTORY PRIOR TO ROUGH-IN
 WILLOUGHBY RESERVES THE RIGHT TO MAKE CHANGES IN DESIGN AND DIMENSIONS WITHOUT FORMAL NOTICE AND WITHOUT INCURRING OBLIGATION.



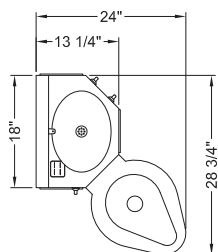
PLAN VIEW
CENTER CONFIGURATION



PLAN VIEW
RIGHT HAND CONFIGURATION



SIDE VIEW



PLAN VIEW
LEFT HAND CONFIGURATION

visit our website at www.willoughby-ind.com

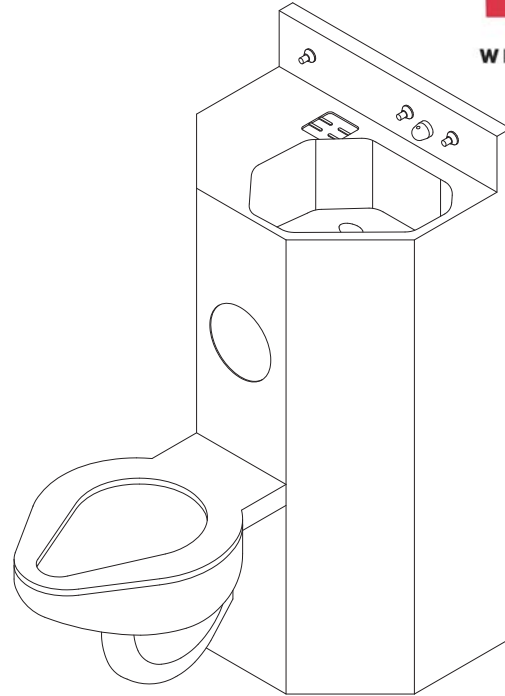
5105 West 78th Street • Indianapolis, IN. 46268

(317) 875-0830 • Fax: (317) 875-0837 • (800) 428-4065



MADE IN THE U.S.A.

1847 Series 18" Wide Angled Lav. Bowl Combination Units



ANGLED RIGHT LAV. UNIT SHOWN
(Unit may be shown with optional features)

To specify fixture and accessories, use the Model Number and Options page.

Example: To specify a wall outlet 18" combination unit with angled right lav. bowl, centered toilet, on floor, standard penal filler/bubbler, 1.6 GPF, dual temp. pneumatic metering valve, standard push buttons, lav. elbow waste, lav. fast drain, toilet waste extension, 3" PVC waste coupling, hydraulic flush valve, flush valve connection, center recessed tissue holder, and wall sleeve

Use the following Willoughby Model Number:

ECW-1847-R-C-ON-BP-1.6-PML2-PPB-EB-TWE-TWC3P-FV-FVT-RTHC-WS

Recommended Specifications

18" angled lav. bowl combination lavatory/toilet shall be:
Willoughby Model No. **EC__-1847**
(Select from model number and options list on next page)

Fixture shall be fabricated from 14 gauge, type 304 stainless steel. The construction shall be all welded, with exposed stainless surfaces polished to a #4 satin finish.

Standard toilet shall include:

- Elongated toilet bowl with contoured seat
- Integral crevice-free self-draining flushing rim with positive afterfill
- Fully enclosed 2-1/2" O.D. trap which shall maintain a minimum 2" seal and pass a 2-1/8" ball
- Bead blast finish bowl interior

Toilet shall be blowout type, requiring 35 psi min. flushing pressure. Model shall meet the requirements of ASME A112.19.3/CSA B45.4.

Standard lavatory shall include:

- Multi-sided bowl, 12-3/4" x 8-1/4" x 5" deep
- Stainless steel bubbler/filler
- Fast drain with air vent
- Elbow waste (1-1/2" F.I.P.)
- Self-draining soap dish

Fixture shall withstand loadings of 5,000 lbs. without permanent damage.

Cabinet interior shall be sound deadened with fire-resistant material.

Anchoring shall be by standard 4-point system. Ø1/2" threaded rods, nuts and washers shall be furnished for walls up to 8" thick. Unit shall require chase area for installation and maintenance.

On back to back fixture installations, do not use standard cross type waste fitting: cross flow may result due to blowout jet action. Use sanitary or offset type waste fittings.

Note: For HET 1.28 GPF, unit will pass a 2" ball.

MODEL NUMBER AND OPTIONS:

1.) Toilet Waste Location:

- ECW Wall Outlet
- ECF Floor Outlet

2.) Base Model Number:

- 1847 18" Angled Lav-toilet Combination

3.) Lav. Bowl Orientation:

- L -Angled Left
- R -Angled Right

4.) Toilet Orientation:

- L -Angled Left
- R -Angled Right
- C -Centered

5.) Fixture Mounting:

- OF Off-Floor (ECW Only)
- ON On-Floor

6.) Bubbler Selection:

- BP Penal Bubbler/Filler (Standard)
- BC Code Bubbler/Filler (w/ Mouth Guard)
- BPH Ligature-resistant Bubbler/Filler
- FL Penal Lav. Filler
- FLH Ligature-resistant Lav. Filler

7.) Flush Valve GPF (Must Specify):

- 1.28 GPF HET
- 1.6 GPF ULF (Standard)
- 3.5 GPF (3" waste tube required)

8.) Lavatory Valve Selection:

- NV No Valve
- PSL1 Single Temp. Pneumatic Non-metering
- PSL2 Dual Temp. Pneumatic Non-metering
- PML1 Single Temp. Pneumatic Metering
- PML2 Dual Temp. Pneumatic Metering
- E1L1 Single Temp. Electronic (Pick Control)
- E1L2 Dual Temp. Electronic (Pick Control)

Valve Manifold Options:

Pneumatic or Electronic Only:

- MA2
- MA3
- MA4

9.) Lavatory Push Button Selection:

- PPB Pneumatic Push Buttons
- PBH Ligature-resistant Push Buttons
- EPB Electronic Push Buttons
- EPBH Ligature-resistant Electronic Push Buttons
- PZPB Piezo Electronic Push Buttons

10.) Electronic Controls*

(Must Use Electronic Lavatory & Flush Valves):

- WUCC-3010
- Pneutronic
- WMSII

11.) Lavatory Waste:

- EB Elbow Waste (1-1/2" F.I.P.) (Standard)
- PT Integral 'P'-Trap (1-1/2" F.I.P.)
- LWE Lavatory Waste Extension
- OV Lavatory Overflow
- CW1 Combined Waste w/o Clean-out
- CW2 Combined Waste w/ Clean-out
- LW1 Thru-Wall Extension, 'P'-Trap
- LW2 Thru-Wall Extension & Clean-out
- SLOW Slow Drain

12.) Toilet Waste:

- GWC Gasketed Waste Connection (Standard on ECF)
- TWE Toilet Waste Extension (Standard on ECW)
- TW3 3" Clean-out for (TWE)
- TW4 Floor Outlet Waste Connection
- TW5 4" Clean-out for (TWE)
- PC3 Pinned Clean-out Plug PVC-3"
- PCB3 Pinned Clean-out Plug Brass-3"
- PC4 Pinned Clean-out Plug PVC-4"
- PCB4 Pinned Clean-out Plug Brass-4"
- WO3 3" Toilet 'P'-Trap (3.5 GPF Only)
- COH4 4" Clean-out Hook, 4" PVC Plug

13.) Waste Coupling for (TWE) Toilet Waste Extension:

- TWC3P Connecting to 3" PVC
- TWC3C Connecting to 3" Cast Iron
- TWC4P Connecting to 4" PVC
- TWC4C Connecting to 4" Cast Iron

14.) Other Options:

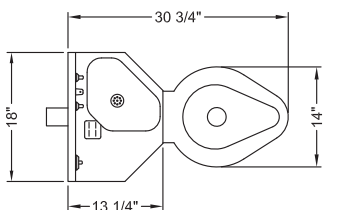
- T4 Manual Reset Toilet Overflow Preventer, Req. (FV)
- T4A Auto Reset Toilet Overflow Preventer, Req. (FV)
- ET4 Electronic Toilet Overflow Preventer, Requires (EFV) & (WUCC-3010) or (WMSII)
- FV Hydraulic Flush Valve (Includes Push Button)
- EFV Electronic Flush Valve (Pick Control)
- EFVP Electronic Flush Valve w/ (PZPB) (Pick Control)
- TFE Toilet Flush Extension
- FVT Flush Valve Connection
- HS Hinged White Plastic Seat (Not recommended for Max. Security/Ligature-resistant use; No Cover)
- RTH__Recessed Tissue Holder
 - L
 - LF
 - C
 - RF
 - R
- ISH Integral Shelf
- TB1__Single Toothbrush Holder
 - L
 - R
- TB2__Dual Toothbrush Holder
 - L
 - R
- TH1__Single Towel Hook
 - L
 - LF
 - RF
 - R
- TH2__Dual Towel Hook
 - L
 - LF
 - RF
 - R
- DC Decorator Color (Fixture exterior only - White)
- TF24H Hard-wired Transformer, 110VAC to 24VAC*
- TF24P Plug-in Transformer, 110VAC to 24VAC*
- HPS High Polish Seat
- VG Vent Grille, 6-1/2"x 9-1/2" (13-3/4 in² free area)
 - L
 - LF
 - RF
 - R
- MT Wall Template
- WS Wall Sleeve (Requires Accessible Chase)
- SK Ligature-resistant Toilet Skirt, (ON) On-Floor Only
- TG 12 Gauge Cabinet
- TSC Toilet Shipping Cover
- FA Front Access (For use when no chase exists)
- Other _____

* (Req. 110V power through ground fault interrupter (GFCI) receptacle)

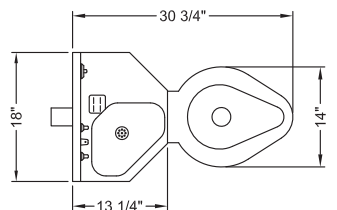
Approved For Manufacturing By: _____ Date: _____ Company: _____

Wall Thickness: _____ Wall Type: _____

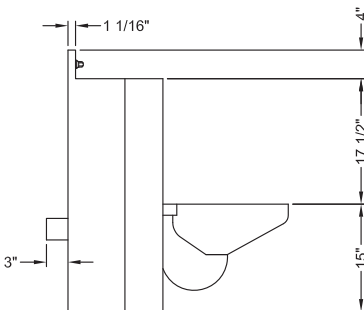
VERIFY ALL DIMENSIONS WITH FACTORY PRIOR TO ROUGH-IN
 WILLOUGHBY RESERVES THE RIGHT TO MAKE CHANGES IN DESIGN AND DIMENSIONS WITHOUT FORMAL NOTICE AND WITHOUT INCURRING OBLIGATION.



RIGHT HAND LAV BOWL PLAN VIEW



LEFT HAND LAV BOWL PLAN VIEW



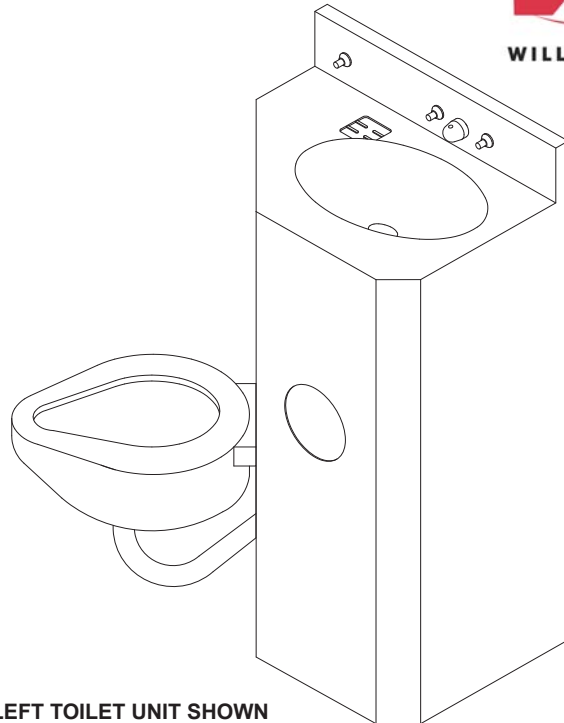
SIDE VIEW

visit our website at www.willoughby-ind.com
 5105 West 78th Street • Indianapolis, IN. 46268
 (317) 875-0830 • Fax: (317) 875-0837 • (800) 428-4065



MADE IN THE U.S.A.

2046 Series 20" Wide Angled Toilet Bowl Combination Units



ANGLED LEFT TOILET UNIT SHOWN
(Unit may be shown with optional features)

To specify fixture and accessories, use the Model Number and Options page.

Example: To specify a wall outlet 20" combination unit with angled left toilet, on floor, standard penel filler/bubbler, 1.6 GPF, dual temp. pneumatic metering valve, standard push buttons, lav. elbow waste, lav. fast drain, toilet waste extension, 3" PVC waste coupling, hydraulic flush valve, flush valve connection, center recessed tissue holder, and wall sleeve

Use the following Willoughby Model Number:

ECW-2046-L-ON-BP-1.6-PML2-PPB-EB-TWE-TWC3P-FV-FVT-RTHC-SW

Recommended Specifications

20" angled toilet bowl combination lavatory/toilet shall be:
Willoughby Model No. **EC__-2046**
(Select from model number and options list on next page)

Fixture shall be fabricated from 14 gauge, type 304 stainless steel. The construction shall be all welded, with exposed stainless surfaces polished to a #4 satin finish.

Standard toilet shall include:

- Elongated toilet bowl with contoured seat
- Integral crevice-free self-draining flushing rim with positive afterfill
- Fully enclosed 2-1/2" O.D. trap which shall maintain a minimum 2" seal and pass a 2-1/8" ball
- Bead blast finish bowl interior

Toilet shall be blowout type, requiring 35 psi min. flushing pressure. Model shall meet the requirements of ASME A112.19.3/CSA B45.4.

Standard lavatory shall include:

- Oval-shaped bowl, 13" x 9-1/2" x 6" deep
- Stainless steel bubbler/filler
- Fast drain with air vent
- Elbow waste (1-1/2" F.I.P.)
- Self-draining soap dish

Fixture shall withstand loadings of 5,000 lbs. without permanent damage.

Cabinet interior shall be sound deadened with fire-resistant material.

Anchoring shall be by standard 4-point system. Ø1/2" threaded rods, nuts and washers shall be furnished for walls up to 8" thick. Unit shall require chase area for installation and maintenance.

On back to back fixture installations, do not use standard cross type waste fitting: cross flow may result due to blowout jet action. Use sanitary or offset type waste fittings.

Note: For HET 1.28 GPF, unit will pass a 2" ball.

MODEL NUMBER AND OPTIONS:

1.) Toilet Waste Location:

- ECW Wall Outlet
- ECF Floor Outlet

2.) Base Model Number:

- 2046 20" Angled Lav-toilet Combination

3.) Toilet Orientation:

- L Angled Left
- R Angled Right

4.) Fixture Mounting:

- OF Off-Floor (ECW Only)
- ON On-Floor

5.) Bubblers Selection:

- BP Penal Bubbler/Filler (Standard)
- BC Code Bubbler/Filler (w/ Mouth Guard)
- BPH Ligature-resistant Bubbler/Filler
- FL Penal Lav. Filler
- FLH Ligature-resistant Lav. Filler

6.) Flush Valve GPF (Must Specify):

- 1.28 GPF HET
- 1.6 GPF ULF (Standard)
- 3.5 GPF (3" waste tube required)

7.) Lavatory Valve Selection:

- NV No Valve
- PSL1 Single Temp. Pneumatic Non-metering
- PSL2 Dual Temp. Pneumatic Non-metering
- PML1 Single Temp. Pneumatic Metering
- PML2 Dual Temp. Pneumatic Metering
- E1L1 Single Temp. Electronic (Pick Control)
- E1L2 Dual Temp. Electronic (Pick Control)

Valve Manifold Options:

Pneumatic or Electronic Only:

- MA2 MA3 MA4

8.) Lavatory Push Button Selection:

- PPB Pneumatic Push Buttons
- PBH Ligature-resistant Push Buttons
- EPB Electronic Push Buttons
- EPBH Ligature-resistant Electronic Push Buttons
- PZPB Piezo Electronic Push Buttons

9.) Electronic Controls*

(Must Use Electronic Lavatory & Flush Valves):

- WUCC-3010 Pneutronic WMSII

10.) Lavatory Waste:

- EB Elbow Waste (1-1/2" F.I.P.) (Standard)
- PT Integral 'P'-Trap (1-1/2" F.I.P.)
- LWE Lavatory Waste Extension
- OV Lavatory Overflow
- CW1 Combined Waste w/o Clean-out
- CW2 Combined Waste w/ Clean-out
- LW1 Thru-Wall Extension, 'P'-Trap
- LW2 Thru-Wall Extension & Clean-out
- SLOW Slow Drain

11.) Toilet Waste:

- GWC Gasketed Waste Connection (Standard on ECF)
- TWE Toilet Waste Extension (Standard on ECW)
- TW3 3" Clean-out for (TWE)
- TW4 Floor Outlet Waste Connection
- TW5 4" Clean-out for (TWE)
- PC3 Pinned Clean-out Plug PVC-3"
- PCB3 Pinned Clean-out Plug Brass-3"
- PC4 Pinned Clean-out Plug PVC-4"
- PCB4 Pinned Clean-out Plug Brass-4"
- WO3 3" Toilet 'P'-Trap (3.5 GPF Only)
- COH4 4" Clean-out Hook, 4" PVC Plug

12.) Waste Coupling for (TWE) Toilet Waste Extension:

- TWC3P Connecting to 3" PVC
- TWC3C Connecting to 3" Cast Iron
- TWC4P Connecting to 4" PVC
- TWC4C Connecting to 4" Cast Iron

13.) Other Options:

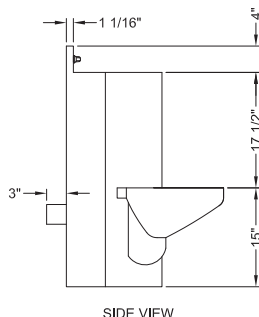
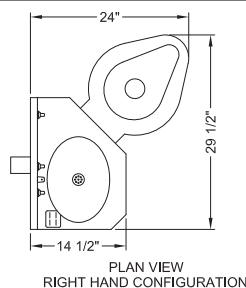
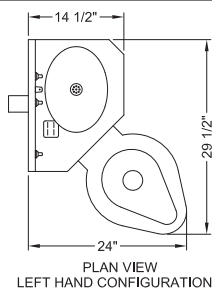
- T4 Manual Reset Toilet Overflow Preventer, Req. (FV)
- T4A Auto Reset Toilet Overflow Preventer, Req. (FV)
- ET4 Electronic Toilet Overflow Preventer, Requires (EFV) & (WUCC-3010) or (WMSII)
- FV Hydraulic Flush Valve (Includes Push Button)
- EFV Electronic Flush Valve (Pick Control)
- EFVP Electronic Flush Valve w/ (PZPB) (Pick Control)
- TFE Toilet Flush Extension
- FVT Flush Valve Connection
- HS Hinged White Plastic Seat (Not recommended for Max. Security/Ligature-resistant use; No Cover)
- RTH__ Recessed Tissue Holder
 - L LF C RF R
- ISH Integral Shelf
- TB1__ Single Toothbrush Holder
 - L R
- TB2__ Dual Toothbrush Holder
 - L R
- TH1__ Single Towel Hook
 - L LF C RF R
- TH2__ Dual Towel Hook
 - L LF C RF R
- DC Decorator Color (Fixture exterior only - White)
- TF24H Hard-wired Transformer, 110VAC to 24VAC*
- TF24P Plug-in Transformer, 110VAC to 24VAC*
- HPS High Polish Seat
- VG Vent Grille, 6-1/2"x 9-1/2" (13-3/4 in² free area)
 - L C R
- MT Wall Template
- WS Wall Sleeve (Requires Accessible Chase)
- SK Ligature-resistant Toilet Skirt, (ON) On-Floor Only
- TG 12 Gauge Cabinet
- TSC Toilet Shipping Cover
- FA Front Access (For use when no chase exists)
- Other _____

* (Req. 110V power through ground fault interrupter (GFCI) receptacle)

Approved For Manufacturing By: _____ Date: _____ Company: _____

Wall Thickness: _____ Wall Type: _____

VERIFY ALL DIMENSIONS WITH FACTORY PRIOR TO ROUGH-IN
WILLOUGHBY RESERVES THE RIGHT TO MAKE CHANGES IN DESIGN AND DIMENSIONS WITHOUT FORMAL NOTICE AND WITHOUT INCURRING OBLIGATION.

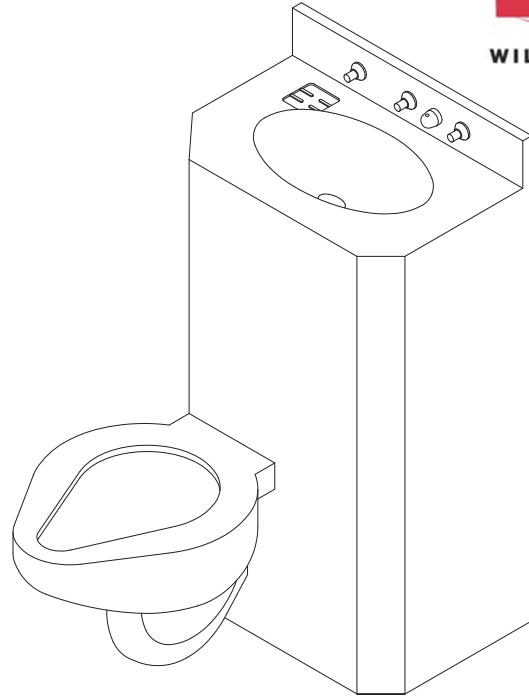


visit our website at www.willoughby-ind.com
5105 West 78th Street • Indianapolis, IN. 46268
(317) 875-0830 • Fax: (317) 875-0837 • (800) 428-4065



MADE IN THE U.S.A.

2096 Series 20" Wide Offset Toilet Bowl Combination Units



OFFSET LEFT TOILET UNIT SHOWN
(Unit may be shown with optional features)

To specify fixture and accessories, use the Model Number and Options page.

Example: To specify a wall outlet 20" combination unit with offset left toilet, on floor, standard penal filler/bubbler, 1.6 GPF, dual temp. pneumatic metering valve, standard push buttons, lav. elbow waste, lav. fast drain, toilet waste extension, 3" PVC waste coupling, hydraulic flush valve, flush valve connection, and wall sleeve

Use the following Willoughby Model Number:

ECW-2096-L-ON-BP-1.6-PML2-PPB-EB-TWE-TWC3P-FV-FVT-WS

Recommended Specifications

20" offset toilet bowl combination lavatory/toilet shall be:
Willoughby Model No. **EC__-2096**
(Select from model number and options list on next page)

Fixture shall be fabricated from 14 gauge, type 304 stainless steel. The construction shall be all welded, with exposed stainless surfaces polished to a #4 satin finish.

Standard toilet shall include:

- Elongated toilet bowl with contoured seat
- Integral crevice-free self-draining flushing rim with positive afterfill
- Fully enclosed 2-1/2" O.D. trap which shall maintain a minimum 2" seal and pass a 2-1/8" ball
- Bead blast finish bowl interior

Toilet shall be blowout type, requiring 35 psi min. flushing pressure. Model shall meet the requirements of ASME A112.19.3/CSA B45.4.

Standard lavatory shall include:

- Oval-shaped bowl, 13" x 9-1/2" x 6" deep
- Stainless steel bubbler/filler
- Fast drain with air vent
- Elbow waste (1-1/2" F.I.P.)
- Self-draining soap dish

Fixture shall withstand loadings of 5,000 lbs. without permanent damage.

Cabinet interior shall be sound deadened with fire-resistant material.

Anchoring shall be by standard 4-point system. Ø1/2" threaded rods, nuts and washers shall be furnished for walls up to 8" thick. Unit shall require chase area for installation and maintenance.

On back to back fixture installations, do not use standard cross type waste fitting: cross flow may result due to blowout jet action. Use sanitary or offset type waste fittings.

Note: For HET 1.28 GPF, unit will pass a 2" ball.

MODEL NUMBER AND OPTIONS:

1.) Toilet Waste Location:

- ECW Wall Outlet
- ECF Floor Outlet

2.) Base Model Number:

- 2096 20" Offset Lav-toilet Combination

3.) Toilet Orientation:

- L Offset Left
- R Offset Right

4.) Fixture Mounting:

- OF Off-Floor (ECW Only)
- ON On-Floor

5.) Bubblers Selection:

- BP Penal Bubbler/Filler (Standard)
- BC Code Bubbler/Filler (w/ Mouth Guard)
- BPH Ligature-resistant Bubbler/Filler
- FL Penal Lav. Filler
- FLH Ligature-resistant Lav. Filler

6.) Flush Valve GPF (Must Specify):

- 1.28 GPF HET
- 1.6 GPF ULF (Standard)
- 3.5 GPF (3" waste tube required)

7.) Lavatory Valve Selection:

- NV No Valve
- PSL1 Single Temp. Pneumatic Non-metering
- PSL2 Dual Temp. Pneumatic Non-metering
- PML1 Single Temp. Pneumatic Metering
- PML2 Dual Temp. Pneumatic Metering
- E1L1 Single Temp. Electronic (Pick Control)
- E1L2 Dual Temp. Electronic (Pick Control)

Valve Manifold Options:

Pneumatic or Electronic Only:

- MA2 MA3 MA4

8.) Lavatory Push Button Selection:

- PPB Pneumatic Push Buttons
- PBH Ligature-resistant Push Buttons
- EPB Electronic Push Buttons
- EPBH Ligature-resistant Electronic Push Buttons
- PZPB Piezo Electronic Push Buttons

9.) Electronic Controls*

(Must Use Electronic Lavatory & Flush Valves):

- WUCC-3010 Pneutronic WMSII

10.) Lavatory Waste:

- EB Elbow Waste (1-1/2" F.I.P.) (Standard)
- PT Integral 'P'-Trap (1-1/2" F.I.P.)
- LWE Lavatory Waste Extension
- OV Lavatory Overflow
- CW1 Combined Waste w/o Clean-out
- CW2 Combined Waste w/ Clean-out
- LW1 Thru-Wall Extension, 'P'-Trap
- LW2 Thru-Wall Extension & Clean-out
- SLOW Slow Drain

11.) Toilet Waste:

- GWC Gasketed Waste Connection (Standard on ECF)
- TWE Toilet Waste Extension (Standard on ECW)
- TW3 3" Clean-out for (TWE)
- TW4 Floor Outlet Waste Connection
- TW5 4" Clean-out for (TWE)
- PC3 Pinned Clean-out Plug PVC-3"
- PCB3 Pinned Clean-out Plug Brass-3"
- PC4 Pinned Clean-out Plug PVC-4"
- PCB4 Pinned Clean-out Plug Brass-4"
- WO3 3" Toilet 'P'-Trap (3.5 GPF Only)
- COH4 4" Clean-out Hook, 4" PVC Plug

12.) Waste Coupling for (TWE) Toilet Waste Extension:

- TWC3P Connecting to 3" PVC
- TWC3C Connecting to 3" Cast Iron
- TWC4P Connecting to 4" PVC
- TWC4C Connecting to 4" Cast Iron

13.) Other Options:

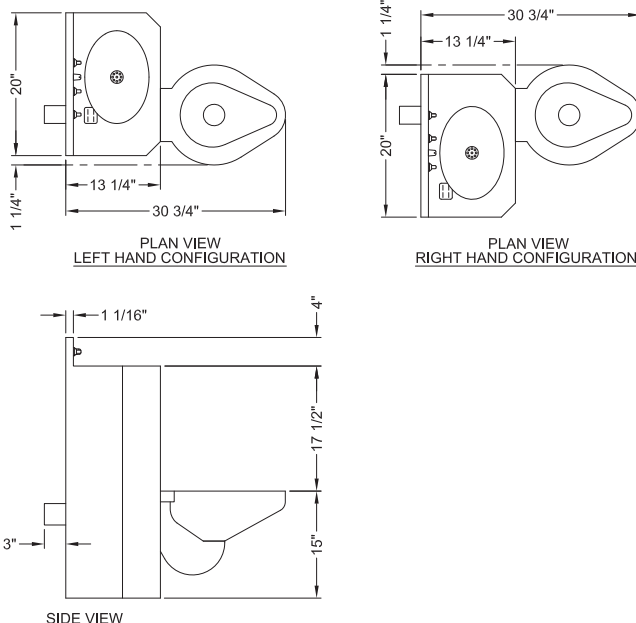
- T4 Manual Reset Toilet Overflow Preventer, Req. (FV)
- T4A Auto Reset Toilet Overflow Preventer, Req. (FV)
- ET4 Electronic Toilet Overflow Preventer, Requires (EFV) & (WUCC-3010) or (WMSII)
- FV Hydraulic Flush Valve (Includes Push Button)
- EFV Electronic Flush Valve (Pick Control)
- EFVP Electronic Flush Valve w/ (PZPB) (Pick Control)
- TFE Toilet Flush Extension
- FVT Flush Valve Connection
- HS Hinged White Plastic Seat (Not recommended for Max. Security/Ligature-resistant use; No Cover)
- RTH__ Recessed Tissue Holder
 - L LF RF R
- ISH Integral Shelf
- TB1__ Single Toothbrush Holder
 - L R
- TB2__ Dual Toothbrush Holder
 - L R
- TH1__ Single Towel Hook
 - L LF RF R
- TH2__ Dual Towel Hook
 - L LF RF R
- DC Decorator Color (Fixture exterior only - White)
- TF24H Hard-wired Transformer, 110VAC to 24VAC*
- TF24P Plug-in Transformer, 110VAC to 24VAC*
- HPS High Polish Seat
- VG Vent Grille, 6-1/2"x 9-1/2" (13-3/4 in² free area)
 - L LF RF R
- MT Wall Template
- WS Wall Sleeve (Requires Accessible Chase)
- SK Ligature-resistant Toilet Skirt, (ON) On-Floor Only
- TG 12 Gauge Cabinet
- TSC Toilet Shipping Cover
- FA Front Access (For use when no chase exists)
- Other _____

*(Req. 110V power through ground fault interrupter (GFCI) receptacle)

Approved For Manufacturing By: _____ Date: _____ Company: _____

Wall Thickness: _____ Wall Type: _____

VERIFY ALL DIMENSIONS WITH FACTORY PRIOR TO ROUGH-IN
 WILLOUGHBY RESERVES THE RIGHT TO MAKE CHANGES IN DESIGN AND DIMENSIONS WITHOUT FORMAL NOTICE AND WITHOUT INCURRING OBLIGATION.



visit our website at www.willoughby-ind.com

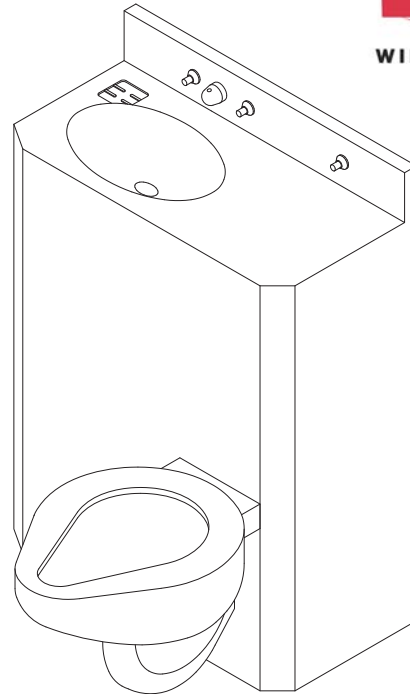
5105 West 78th Street • Indianapolis, IN. 46268

(317) 875-0830 • Fax: (317) 875-0837 • (800) 428-4065



MADE IN THE U.S.A.

2696 Series 26" Wide Offset Toilet Bowl Combination Units



OFFSET RIGHT TOILET UNIT SHOWN
(Unit may be shown with optional features)

To specify fixture and accessories, use the Model Number and Options page.

Example: To specify a wall outlet 26" combination unit with offset right toilet, on floor, standard penal filler/bubbler, 1.6 GPF, dual temp. pneumatic metering valve, standard push buttons, lav. elbow waste, lav. fast drain, toilet waste extension, 3" PVC waste coupling, hydraulic flush valve, flush valve connection, and wall sleeve

Use the following Willoughby Model Number:

ECW-2696-R-ON-BP-1.6-PML2-PPB-EB-TWE-TWC3P-FV-FVT-WS

Recommended Specifications

26" offset toilet bowl combination lavatory/toilet shall be:
Willoughby Model No. **EC__-2696**
(Select from model number and options list on next page)

Fixture shall be fabricated from 14 gauge, type 304 stainless steel. The construction shall be all welded, with exposed stainless surfaces polished to a #4 satin finish.

Standard toilet shall include:

- Elongated toilet bowl with contoured seat
- Integral crevice-free self-draining flushing rim with positive afterfill
- Fully enclosed 2-1/2" O.D. trap which shall maintain a minimum 2" seal and pass a 2-1/8" ball
- Bead blast finish bowl interior

Toilet shall be blowout type, requiring 35 psi min. flushing pressure. Model shall meet the requirements of ASME A112.19.3/CSA B45.4.

Standard lavatory shall include:

- Oval-shaped bowl, 13" x 9-1/2" x 6" deep
- Stainless steel bubbler/filler
- Fast drain with air vent
- Elbow waste (1-1/2" F.I.P.)
- Self-draining soap dish

Fixture shall withstand loadings of 5,000 lbs. without permanent damage.

Cabinet interior shall be sound deadened with fire-resistant material.

Anchoring shall be by standard 4-point system. Ø1/2" threaded rods, nuts and washers shall be furnished for walls up to 8" thick. Unit shall require chase area for installation and maintenance.

On back to back fixture installations, do not use standard cross type waste fitting: cross flow may result due to blowout jet action. Use sanitary or offset type waste fittings.

Note: For HET 1.28 GPF, unit will pass a 2" ball.

MODEL NUMBER AND OPTIONS:

1.) Toilet Waste Location:

- ECW Wall Outlet
- ECF Floor Outlet

2.) Base Model Number:

- 2696 26" Offset Lav-toilet Combination

3.) Toilet Orientation:

- L Offset Left
- R Offset Right

4.) Fixture Mounting:

- OF Off-Floor (ECW Only)
- ON On-Floor

5.) Bubblers Selection:

- BP Penal Bubbler/Filler (Standard)
- BC Code Bubbler/Filler (w/ Mouth Guard)
- BPH Ligature-resistant Bubbler/Filler
- FL Penal Lav. Filler
- FLH Ligature-resistant Lav. Filler

6.) Flush Valve GPF (Must Specify):

- 1.28 GPF HET
- 1.6 GPF ULF (Standard)
- 3.5 GPF (3" waste tube required)

7.) Lavatory Valve Selection:

- NV No Valve
- PSL1 Single Temp. Pneumatic Non-metering
- PSL2 Dual Temp. Pneumatic Non-metering
- PML1 Single Temp. Pneumatic Metering
- PML2 Dual Temp. Pneumatic Metering
- E1L1 Single Temp. Electronic (Pick Control)
- E1L2 Dual Temp. Electronic (Pick Control)

Valve Manifold Options:

Pneumatic or Electronic Only:

- MA2 MA3 MA4

8.) Lavatory Push Button Selection:

- PPB Pneumatic Push Buttons
- PBH Ligature-resistant Push Buttons
- EPB Electronic Push Buttons
- EPBH Ligature-resistant Electronic Push Buttons
- PZPB Piezo Electronic Push Buttons

9.) Electronic Controls*

(Must Use Electronic Lavatory & Flush Valves):

- WUCC-3010 Pneutronic WMSII

10.) Lavatory Waste:

- EB Elbow Waste (1-1/2" F.I.P.) (Standard)
- PT Integral 'P'-Trap (1-1/2" F.I.P.)
- LWE Lavatory Waste Extension
- OV Lavatory Overflow
- CW1 Combined Waste w/o Clean-out
- CW2 Combined Waste w/ Clean-out
- LW1 Thru-Wall Extension, 'P'-Trap
- LW2 Thru-Wall Extension & Clean-out
- SLOW Slow Drain

11.) Toilet Waste:

- GWC Gasketed Waste Connection (Standard on ECF)
- TWE Toilet Waste Extension (Standard on ECW)
- TW3 3" Clean-out for (TWE)
- TW4 Floor Outlet Waste Connection
- TW5 4" Clean-out for (TWE)
- PC3 Pinned Clean-out Plug PVC-3"
- PCB3 Pinned Clean-out Plug Brass-3"
- PC4 Pinned Clean-out Plug PVC-4"
- PCB4 Pinned Clean-out Plug Brass-4"
- WO3 3" Toilet 'P'-Trap (3.5 GPF Only)
- COH4 4" Clean-out Hook, 4" PVC Plug

12.) Waste Coupling for (TWE) Toilet Waste Extension:

- TWC3P Connecting to 3" PVC
- TWC3C Connecting to 3" Cast Iron
- TWC4P Connecting to 4" PVC
- TWC4C Connecting to 4" Cast Iron

13.) Other Options:

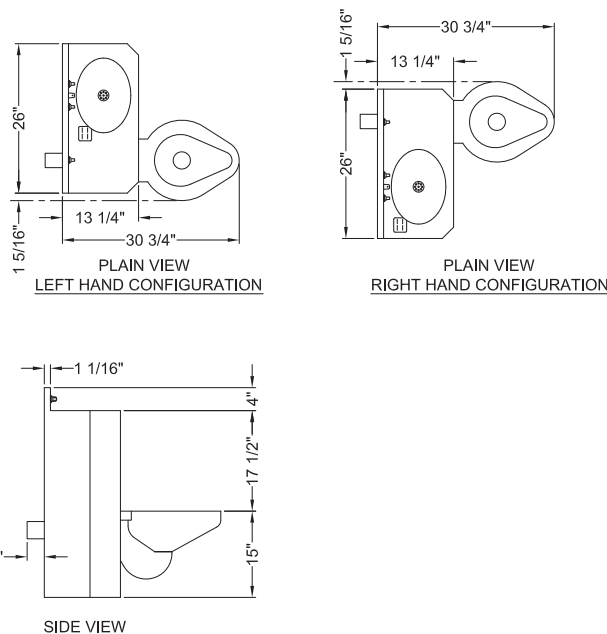
- T4 Manual Reset Toilet Overflow Preventer, Req. (FV)
- T4A Auto Reset Toilet Overflow Preventer, Req. (FV)
- ET4 Electronic Toilet Overflow Preventer, Requires (EFV) & (WUCC-3010) or (WMSII)
- FV Hydraulic Flush Valve (Includes Push Button)
- EFV Electronic Flush Valve (Pick Control)
- EFVP Electronic Flush Valve w/ (PZPB) (Pick Control)
- TFE Toilet Flush Extension
- FVT Flush Valve Connection
- HS Hinged White Plastic Seat (Not recommended for Max. Security/Ligature-resistant use; No Cover)
- RTH__ Recessed Tissue Holder
 - L LF R RF
- ISH Integral Shelf
- TB1__ Single Toothbrush Holder
 - L R
- TB2__ Dual Toothbrush Holder
 - L R
- TH1__ Single Towel Hook
 - L LF RF R
- TH2__ Dual Towel Hook
 - L LF RF R
- DC Decorator Color (Fixture exterior only - White)
- TF24H Hard-wired Transformer, 110VAC to 24VAC*
- TF24P Plug-in Transformer, 110VAC to 24VAC*
- HPS High Polish Seat
- VG Vent Grille, 6-1/2"x 9-1/2" (13-3/4 in² free area)
 - L LF RF R
- MT Wall Template
- WS Wall Sleeve (Requires Accessible Chase)
- SK Ligature-resistant Toilet Skirt, (ON) On-Floor Only
- TG 12 Gauge Cabinet
- TSC Toilet Shipping Cover
- FA Front Access (For use when no chase exists)
- Other _____

*(Req. 110V power through ground fault interrupter (GFCI) receptacle)

Approved For Manufacturing By: _____ Date: _____ Company: _____

Wall Thickness: _____ Wall Type: _____

VERIFY ALL DIMENSIONS WITH FACTORY PRIOR TO ROUGH-IN
 WILLOUGHBY RESERVES THE RIGHT TO MAKE CHANGES IN DESIGN AND DIMENSIONS WITHOUT FORMAL NOTICE AND WITHOUT INCURRING OBLIGATION.

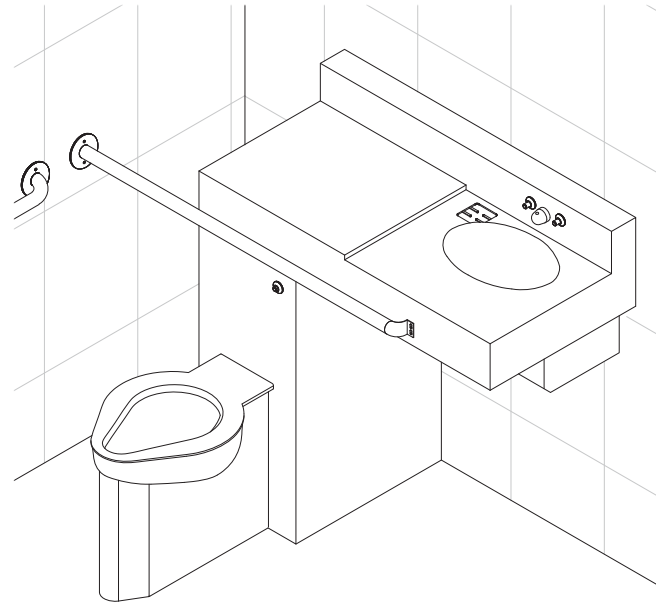


visit our website at www.willoughby-ind.com
 5105 West 78th Street • Indianapolis, IN. 46268
 (317) 875-0830 • Fax: (317) 875-0837 • (800) 428-4065



MADE IN THE U.S.A.

3696 Series Handicap-ADA Compliant* 36" Wide (for 90° Chase) Combination Units



OFFSET LEFT UNIT SHOWN
(Unit shown with optional features: (GB4296) ADA grab is not included standard)*

To specify fixture and accessories, use the Model Number and Options page.
Example: To specify a wall outlet 36" handicap combination unit with offset left toilet, on floor, standard penal filler/bubbler, 1.6 GPF, dual temp. pneumatic metering valve, standard push buttons, lav. elbow waste, lav. fast drain, toilet waste extension, 3" PVC waste coupling, 42" ADA grab bar, hydraulic flush valve, flush valve connection, and wall sleeve
Use the following Willoughby Model Number:
ECW-3696-L-ON-BP-1.6-PML2-PPB-EB-TWE-TWC3P-GB4296-FV-FVT-WS

Recommended Specifications

36" handicap-ADA compliant* combination lavatory/toilet shall be:
Willoughby Model No. **EC__-3696**
(Select from model number and options list on next page)

Fixture shall be fabricated from 14 gauge, type 304 stainless steel. The construction shall be all welded, with exposed stainless surfaces polished to a #4 satin finish.

Standard toilet shall include:

- Elongated toilet bowl with contoured seat
- Integral crevice-free self-draining flushing rim with positive afterfill
- Fully enclosed 2-1/2" O.D. trap which shall maintain a minimum 2" seal and pass a 2-1/8" ball
- Bead blast finish bowl interior

Toilet shall be blowout type, requiring 35 psi min. flushing pressure. Model shall meet the requirements of ASME A112.19.3/CSA B45.4.

Standard lavatory shall include:

- Oval-shaped bowl, 13" x 9-1/2" x 6" deep
- Stainless steel bubbler/filler
- Fast drain with air vent
- Elbow waste (1-1/2" F.I.P.)
- Self-draining soap dish
- Ligation-resistant toilet skirt

Fixture shall withstand loadings of 5,000 lbs. without permanent damage. Cabinet interior shall be sound deadened with fire-resistant material.

Anchoring shall be by standard 6-point system. Ø1/2" threaded rods, nuts and washers shall be furnished for walls up to 8" thick. Unit shall require chase area for installation and maintenance.

On back to back fixture installations, do not use standard cross type waste fitting: cross flow may result due to blowout jet action. Use sanitary or offset type waste fittings.

Note: For HET 1.28 GPF, unit will pass a 2" ball.

- *1.) ADA Compliance requires the addition of Grab Bar #(GB4296); see Section S11-SUPPLEMENTAL INFORMATION for 3696 Series ADA Diagram.**
- 2.) (RTH)- Recessed Tissue Holder option is not ADA Compliant.**

visit our website at www.willoughby-ind.com
5105 West 78th Street • Indianapolis, IN. 46268
(317) 875-0830 • Fax: (317) 875-0837 • (800) 428-4065



MADE IN THE U.S.A.

MODEL NUMBER AND OPTIONS:

1.) Toilet Waste Location:

- ECW Wall Outlet
- ECF Floor Outlet

2.) Base Model Number:

- 3696 36" Handicap* Lav-toilet Combination

3.) Toilet Orientation:

- L Offset Left
- R Offset Right

4.) Fixture Mounting:

- OF Off-Floor (ECW Only, no ligature-resistant toilet skirt)
- ON On-Floor

5.) Bubblers Selection:

- BP Penal Bubbler/Filler (Standard)
- BC Code Bubbler/Filler (w/ Mouth Guard)
- BPH Ligature-resistant Bubbler/Filler
- FL Penal Lav. Filler
- FLH Ligature-resistant Lav. Filler

6.) Flush Valve GPF (Must Specify):

- 1.28 GPF HET
- 1.6 GPF ULF (Standard)
- 3.5 GPF (3" waste tube required)

7.) Lavatory Valve Selection:

- NV No Valve
- PSL1 Single Temp. Pneumatic Non-metering
- PSL2 Dual Temp. Pneumatic Non-metering
- PML1 Single Temp. Pneumatic Metering
- PML2 Dual Temp. Pneumatic Metering
- E1L1 Single Temp. Electronic (Pick Control)
- E1L2 Dual Temp. Electronic (Pick Control)

Valve Manifold Options:

Pneumatic or Electronic Only:

- MA2 MA3 MA4

8.) Lavatory Push Button Selection:

- PPB Pneumatic Push Buttons
- PBH Ligature-resistant Push Buttons
- EPB Electronic Push Buttons
- EPBH Ligature-resistant Electronic Push Buttons
- PZPB Piezo Electronic Push Buttons

9.) Electronic Controls*

(Must Use Electronic Lavatory & Flush Valves):

- WUCC-3010 Pneutronic WMSII

10.) Lavatory Waste:

- EB Elbow Waste (1-1/2" F.I.P.) (Standard)
- PT Integral 'P'-Trap (1-1/2" F.I.P.)
- LWE Lavatory Waste Extension
- OV Lavatory Overflow
- CW1 Combined Waste w/o Clean-out
- CW2 Combined Waste w/ Clean-out
- LW1 Thru-Wall Extension, 'P'-Trap
- LW2 Thru-Wall Extension & Clean-out
- SLOW Slow Drain

11.) Toilet Waste:

- GWC Gasketed Waste Connection (Standard on ECF)
- TWE Toilet Waste Extension (Standard on ECW)
- TW3 3" Clean-out for (TWE)
- TW4 Floor Outlet Waste Connection
- TW5 4" Clean-out for (TWE)
- PC3 Pinned Clean-out Plug PVC-3"
- PCB3 Pinned Clean-out Plug Brass-3"
- PC4 Pinned Clean-out Plug PVC-4"
- PCB4 Pinned Clean-out Plug Brass-4"
- WO3 3" Toilet 'P'-Trap (3.5 GPF Only)
- COH4 4" Clean-out Hook, 4" PVC Plug

12.) Waste Coupling for (TWE) Toilet Waste Extension:

- TWC3P Connecting to 3" PVC
- TWC3C Connecting to 3" Cast Iron
- TWC4P Connecting to 4" PVC
- TWC4C Connecting to 4" Cast Iron

13.) Grab Bar Option:

- GB4296 42" ADA Grab Bar **(Req. for ADA Compliance)***

14.) Other Options:

- T4 Manual Reset Toilet Overflow Preventer, Req. (FV)
 - T4A Auto Reset Toilet Overflow Preventer, Req. (FV)
 - ET4 Electronic Toilet Overflow Preventer, Requires (EFV) & (WUCC-3010) or (WMSII)
 - FV Hydraulic Flush Valve (Includes Push Button)
 - EFV Electronic Flush Valve (Pick Control)
 - EFVP Electronic Flush Valve w/ (PZPB) (Pick Control)
 - TFE Toilet Flush Extension
 - FVT Flush Valve Connection
 - HS Hinged White Plastic Seat (Not recommended for Max. Security/Ligature-resistant use; No Cover)
 - RTH Recessed Tissue Holder **(Not ADA Compliant)** (Underneath Lav. Bowl)
 - TB1 Single Toothbrush Holder (Opposite Toilet)
 - TB2 Dual Toothbrush Holder (Opposite Toilet)
 - TH1 Single Towel Hook (Opposite Toilet)
 - TH2 Dual Towel Hook (Opposite Toilet)
 - DC Decorator Color (Fixture exterior only - White)
 - TF24H Hard-wired Transformer, 110VAC to 24VAC*
 - TF24P Plug-in Transformer, 110VAC to 24VAC*
 - HPS High Polish Seat
 - VG Vent Grille, 6-1/2"x 9-1/2" (13-3/4 in² free area)
 - L R
 - MT Wall Template
 - WS Wall Sleeve (Requires Accessible Chase)
 - LSK Less Ligature-resistant Toilet Skirt
 - TG 12 Gauge Cabinet
 - TSC Toilet Shipping Cover
 - PSL1-DMB Deck Mounted Bubbler/Filler**
 - PSL1-DMBH Ligature-resistant DM Bubbler/Filler**
- ** (Panel Mounted Push Button)

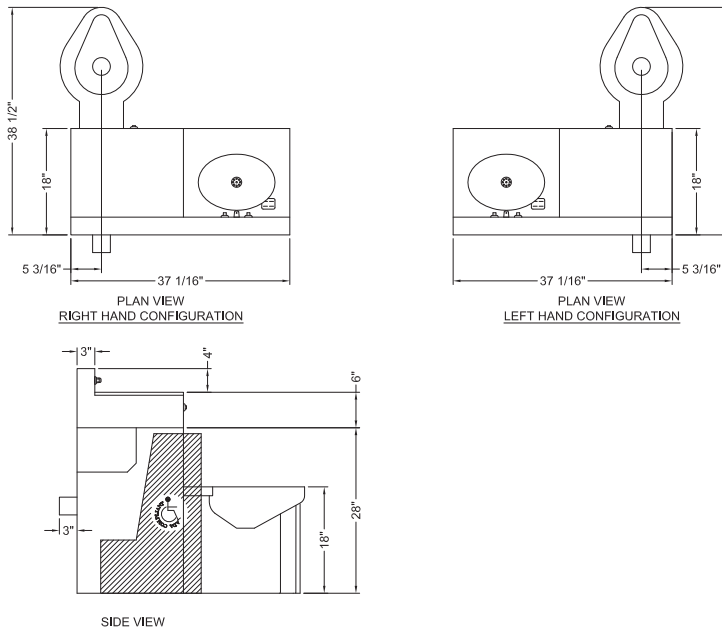
*(Req. 110V power through ground fault interrupter (GFCI) receptacle)

Other _____

Approved For Manufacturing By: _____ Date: _____ Company: _____

Wall Thickness: _____ Wall Type: _____

VERIFY ALL DIMENSIONS WITH FACTORY PRIOR TO ROUGH-IN
WILLOUGHBY RESERVES THE RIGHT TO MAKE CHANGES IN DESIGN AND DIMENSIONS WITHOUT FORMAL NOTICE AND WITHOUT INCURRING OBLIGATION.

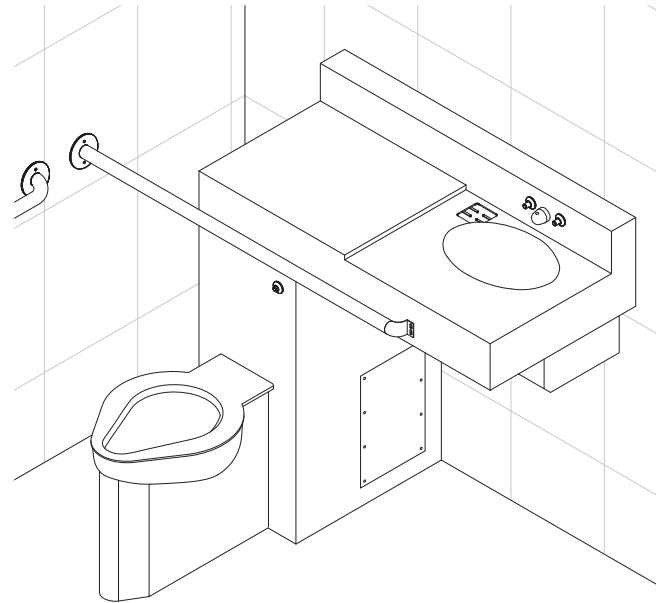


visit our website at www.willoughby-ind.com
5105 West 78th Street • Indianapolis, IN. 46268
(317) 875-0830 • Fax: (317) 875-0837 • (800) 428-4065



MADE IN THE U.S.A.

3696-FA Series Front Access Handicap-ADA Compliant* 36" Wide (for 90° Chase) Combination Units



OFFSET LEFT UNIT SHOWN
(Unit shown with optional features: (GB4296) ADA grab is not included standard)*



Recommended Specifications

To specify fixture and accessories, use the Model Number and Options page.

Example: To specify a wall outlet front access 36" handicap combination unit with offset left toilet, standard penal filler/bubbler, 1.6 GPF, dual temp. pneumatic metering valve, standard push buttons, removable lav. 'p' trap, lav. fast drain, standard gasketed waste connection, 42" ADA grab bar, hydraulic flush valve, and wall template

Use the following Willoughby Model Number:
ECW-3696-FA-L-ON-BP-1.6-PML2-PPB-RPT-GWC-GB4296-FV-MT

Front access 36" handicap-ADA compliant* combination lavatory/toilet shall be: Willoughby Model No. **EC__-3696-FA**
(Select from model number and options list on next page)

Fixture shall be fabricated from 14 gauge, type 304 stainless steel. The construction shall be all welded, with exposed stainless surfaces polished to a #4 satin finish. Removable access panels, attached w/ security screws shall provide access to fixture interior.

Standard toilet shall include:

- Elongated toilet bowl with contoured seat
- Integral crevice-free self-draining flushing rim with positive afterfill
- Fully enclosed 2-1/2" O.D. trap which shall maintain a minimum 2" seal and pass a 2-1/8" ball
- Bead blast finish bowl interior

Toilet shall be blowout type, requiring 35 psi min. flushing pressure. Model shall meet the requirements of ASME A112.19.3/CSA B45.4.

Standard lavatory shall include:

- Oval-shaped bowl, 13" x 9-1/2" x 6" deep
- Stainless steel bubbler/filler
- Fast drain with air vent
- Removable slip-joint brass union 'P' trap (1-1/2" N.P.T.)
- Self-draining soap dish
- Ligature-resistant toilet skirt

Fixture shall withstand loadings of 5,000 lbs. without permanent damage. Cabinet interior shall be sound deadened with fire-resistant material.

Optionally selected lavatory valve and flush valve shall be factory installed inside fixture cabinet.

Anchoring shall be from the front, anchoring holes provided. Anchoring hardware provided by others. Standard unit requires no chase area for installation and maintenance, however certain non-standard options may require an accessible chase (see options list for details).

On back to back fixture installations, do not use standard cross type waste fitting: cross flow may result due to blowout jet action. Use sanitary or offset type waste fittings.

Note: For HET 1.28 GPF, unit will pass a 2" ball.

***1.) ADA Compliance requires the addition of Grab Bar #(GB4296); see Section S11-SUPPLEMENTAL INFORMATION for 3696 Series ADA Diagram.**

2.) (RTH)- Recessed Tissue Holder option is not ADA Compliant.

visit our website at www.willoughby-ind.com
5105 West 78th Street • Indianapolis, IN. 46268
(317) 875-0830 • Fax: (317) 875-0837 • (800) 428-4065



MADE IN THE U.S.A.

MODEL NUMBER AND OPTIONS:

1.) Toilet Waste Location:

- ECW Wall Outlet
- ECF Floor Outlet

2.) Base Model Number:

- 3696-FA 36" Front Access Handicap*
Lav-toilet Combination

3.) Toilet Orientation:

- L Offset Left
- R Offset Right

4.) Fixture Mounting:

- ON On-Floor

5.) Bubbler Selection:

- BP Penal Bubbler/Filler (Standard)
- BC Code Bubbler/Filler (w/ Mouth Guard)
- BPH Ligature-resistant Bubbler/Filler
- FL Penal Lav. Filler
- FLH Ligature-resistant Lav. Filler

6.) Flush Valve GPF (Must Specify):

- 1.28 GPF HET
- 1.6 GPF ULF (Standard)
- 3.5 GPF (3" waste tube required)

7.) Lavatory Valve Selection:

- NV No Valve
- PSL1 Single Temp. Pneumatic Non-metering
- PSL2 Dual Temp. Pneumatic Non-metering
- PML1 Single Temp. Pneumatic Metering
- PML2 Dual Temp. Pneumatic Metering
- E1L1 Single Temp. Electronic (Pick Control)
- E1L2 Dual Temp. Electronic (Pick Control)

8.) Lavatory Push Button Selection:

- PPB Pneumatic Push Buttons
- PBH Ligature-resistant Push Buttons
- EPB Electronic Push Buttons
- EPBH Ligature-resistant Electronic Push Buttons
- PZPB Piezo Electronic Push Buttons

9.) Electronic Controls*

(Must Use Electronic Lavatory & Flush Valves):

- WUCC-3010 Pneutronic WMSII

10.) Lavatory Waste:

- RPT Removable 'P'-Trap (1-1/2" N.P.T.) (Standard)
- OV Lavatory Overflow
- CW1 Combined Waste w/o Clean-out
- CW2 Combined Waste w/ Clean-out
- SLOW Slow Drain

11.) Toilet Waste:

- GWC Gasketed Waste Connection (Standard)
- TWE Toilet Waste Extension (Requires Accessible Chase)
- TW4 Floor Outlet Waste Connection
- WO3 3" Toilet 'P'-Trap (3.5 GPF Only)

12.) Waste Coupling for (TWE) Toilet Waste

Extension:

- TWC3P Connecting to 3" PVC
- TWC3C Connecting to 3" Cast Iron
- TWC4P Connecting to 4" PVC
- TWC4C Connecting to 4" Cast Iron

13.) Grab Bar Options:

- GB4296 42" ADA Grab Bar (Req. for ADA Compliance)*

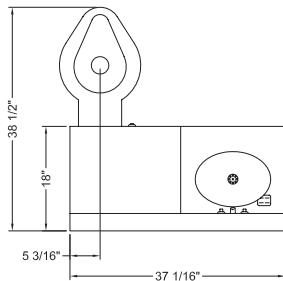
14.) Other Options:

- T4 Manual Reset Toilet Overflow Preventer, Req. (FV)
- T4A Auto Reset Toilet Overflow Preventer, Req. (FV)
- ET4 Electronic Toilet Overflow Preventer, Requires (EFV) & (WUCC-3010) or (WMSII)
- FV Hydraulic Flush Valve (Includes Push Button)
- EFV Electronic Flush Valve (Pick Control)
- EFVP Electronic Flush Valve w/ (PZPB) (Pick Control)
- HS Hinged White Plastic Seat (Not recommended for Max. Security/Ligature-resistant use; No Cover)
- RTH Recessed Tissue Holder (Not ADA Compliant) (Underneath Lav. Bowl)
- TB1 Single Toothbrush Holder (Located beside Lav. Bowl, opposite Toilet)
- TB2 Dual Toothbrush Holder (Located beside Lav. Bowl, opposite Toilet)
- TH1 Single Towel Hook (Located beside Lav. Bowl, opposite Toilet)
- TH2 Dual Towel Hook (Located beside Lav. Bowl, opposite Toilet)
- DC Decorator Color (Fixture exterior only - White)
- TF24H Hard-wired Transformer, 110VAC to 24VAC*
- TF24P Plug-in Transformer, 110VAC to 24VAC*
- HPS High Polish Seat
- VG Vent Grille, 6-1/2"x 9-1/2" (13-3/4 in² free area)
 - L R
- MT Wall Template
- WS Wall Sleeve (Requires Accessible Chase)
- LSK Less Ligature-resistant Toilet Skirt
- TG 12 Gauge Cabinet
- TSC Toilet Shipping Cover
- PSL1-DMB Deck Mounted Bubbler/Filler**
- PSL1-DMBH Ligature-resistant DM Bubbler/Filler** (**Panel Mounted Push Button)
- Other _____
- Other _____

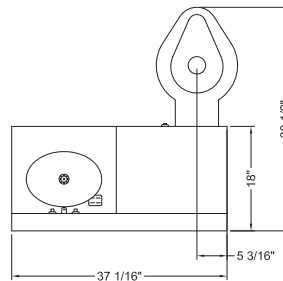
*(Req. 110V power through ground fault interrupter (GFCI) receptacle)

Approved For Manufacturing By: _____ Date: _____ Company: _____
 Wall Thickness: _____ Wall Type: _____

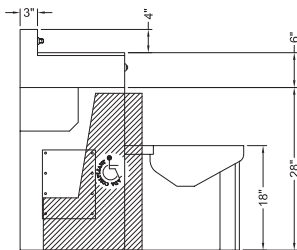
VERIFY ALL DIMENSIONS WITH FACTORY PRIOR TO ROUGH-IN
 WILLOUGHBY RESERVES THE RIGHT TO MAKE CHANGES IN DESIGN AND DIMENSIONS WITHOUT FORMAL NOTICE AND WITHOUT INCURRING OBLIGATION.



PLAN VIEW
RIGHT HAND CONFIGURATION



PLAN VIEW
LEFT HAND CONFIGURATION



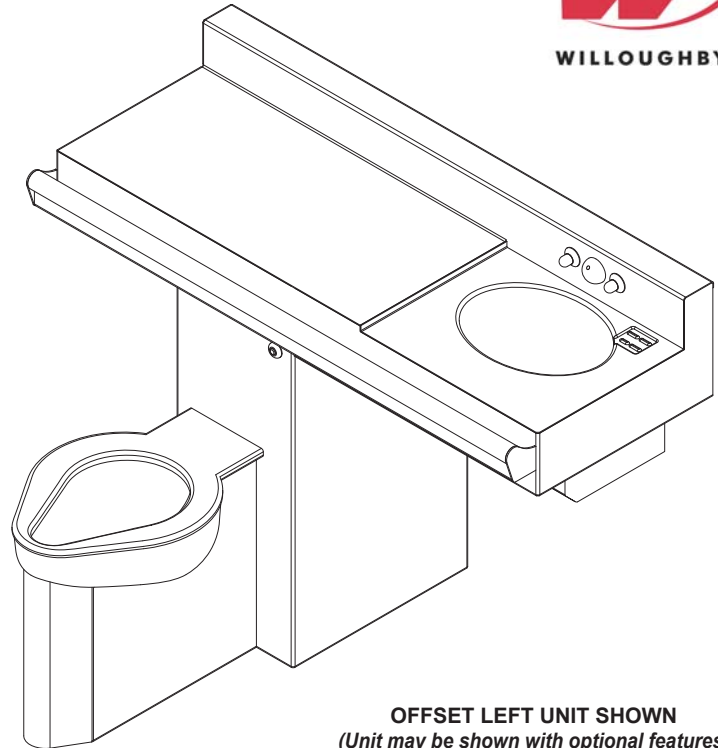
SIDE VIEW

visit our website at www.willoughby-ind.com
 5105 West 78th Street • Indianapolis, IN. 46268
 (317) 875-0830 • Fax: (317) 875-0837 • (800) 428-4065



MADE IN THE U.S.A.

4896 Series Ligature-resistant Handicap-ADA Compliant 49" Wide (90° Chase) Combination Units



OFFSET LEFT UNIT SHOWN
(Unit may be shown with optional features)



To specify fixture and accessories, use the Model Number and Options page.

Example: To specify a Ligature-resistant Handicap-ADA Compliant 49" Wide (90° Chase) Combination Lavatory/Toilet with wall outlet, offset left toilet, standard ligature-resistant filler/bubbler, 1.6 GPF, dual temp. pneumatic metering valve, standard ligature-resistant push buttons, lav. elbow waste, lav. slow drain, toilet waste extension, 3" PVC waste coupling, hydraulic flush valve, flush valve connection, and wall sleeve

Use the following Willoughby Model Number:

ECW-4896-L-ON-BPH-1.6-PML2-PBH-EB-SLOW-TWE-TWC3P-FV-FVT-WS

Recommended Specifications

Ligature-resistant Handicap-ADA Compliant 49" Wide (90° Chase) Combination Lavatory/Toilet shall be:

Willoughby Model No. **EC__-4896**

(Select from model number and options list on next page)

Fixture shall be fabricated from 14 gauge, type 304 stainless steel. The construction shall be all welded, with exposed stainless surfaces polished to a #4 satin finish.

Standard toilet shall include:

- Ligature resistant toilet skirt (extends to floor)
- Elongated toilet bowl with contoured seat
- Integral crevice-free self-draining flushing rim with positive afterfill
- Fully enclosed 2-1/2" O.D. trap which shall maintain a minimum 2" seal and pass a 2-1/8" ball
- Bead blast finish bowl interior

Toilet shall be blowout type, requiring 35 psi min. flushing pressure. Model shall meet the requirements of ASME A112.19.3/CSA B45.4.

Standard lavatory shall include:

- Oval-shaped bowl, 13" x 9-1/2" x 6" deep
- Stainless steel ligature-resistant bubbler/filler
- Slow drain with air vent
- Elbow waste (1-1/2" F.I.P.)
- Self-draining soap dish

An integral behind-toilet grab bar with ligature-resistant closure plate is provided standard.

Fixture shall withstand loadings of 5,000 lbs. without permanent damage.

Cabinet interior shall be sound deadened with fire-resistant material.

Anchoring shall be by standard 6-point system. Ø1/2" threaded rods, nuts and washers shall be furnished for walls up to 8" thick. Unit shall require chase area for installation and maintenance.

On back to back fixture installations, do not use standard cross type waste fitting: cross flow may result due to blowout jet action. Use sanitary or offset type waste fittings.

Note: For HET 1.28 GPF, unit will pass a 2" ball.

visit our website at www.willoughby-ind.com
5105 West 78th Street • Indianapolis, IN. 46268
(317) 875-0830 • Fax: (317) 875-0837 • (800) 428-4065



MADE IN THE U.S.A.

MODEL NUMBER AND OPTIONS:

1.) Toilet Waste Location:

- ECW Wall Outlet
- ECF Floor Outlet

2.) Base Model Number:

- 4896 Ligature-resistant Handicap-ADA Compliant 49" Wide (90°Chase) Combination Lav./Toilet

3.) Toilet Orientation:

- L Offset Left
- R Offset Right

4.) Fixture Mounting:

- ON On-Floor

5.) Bubblers Selection:

- BPH Ligature-resistant Bubbler/Filler (Standard)
- FLH Ligature-resistant Lav. Filler

6.) Flush Valve GPF (Must Specify):

- 1.28 GPF HET
- 1.6 GPF ULF (Standard)
- 3.5 GPF (3" waste tube required)

7.) Lavatory Valve Selection:

- NV No Valve
- PSL1 Single Temp. Pneumatic Non-metering
- PSL2 Dual Temp. Pneumatic Non-metering
- PML1 Single Temp. Pneumatic Metering
- PML2 Dual Temp. Pneumatic Metering
- E1L1 Single Temp. Electronic (Pick Control)
- E1L2 Dual Temp. Electronic (Pick Control)

Valve Manifold Options:

Pneumatic or Electronic Only:

- MA2
- MA3
- MA4

8.) Lavatory Push Button Selection:

- PBH Ligature-resistant Push Buttons
- EPBH Ligature-resistant Electronic Push Buttons
- PZPB Piezo Electronic Push Buttons

9.) Electronic Controls*

(Must Use Electronic Lavatory & Flush Valves):

- WUCC-3010
- Pnautronic
- WMSII

10.) Lavatory Waste:

- EB Elbow Waste (1-1/2" F.I.P.) (Standard)
- PT Integral 'P'-Trap (1-1/2" F.I.P.)
- LWL Lavatory Waste Extension
- OV Lavatory Overflow
- CW1 Combined Waste w/o Clean-out
- CW2 Combined Waste w/ Clean-out
- LW1 Thru-Wall Extension, 'P'-Trap
- LW2 Thru-Wall Extension & Clean-out
- SLOW Slow Drain (Standard)

11.) Toilet Waste:

- GWC Gasketed Waste Connection (Standard on ECF)
- TWE Toilet Waste Extension (Standard on ECW)
- TW3 3" Clean-out for (TWE)
- TW4 Floor Outlet Waste Connection
- TW5 4" Clean-out for (TWE)
- PC3 Pinned Clean-out Plug PVC-3"
- PCB3 Pinned Clean-out Plug Brass-3"
- PC4 Pinned Clean-out Plug PVC-4"
- PCB4 Pinned Clean-out Plug Brass-4"
- WO3 3" Toilet 'P'-Trap (3.5 GPF Only)
- COH4 4" Clean-out Hook, 4" PVC Plug

12.) Waste Coupling for (TWE) Toilet Waste Extension:

- TWC3P Connecting to 3" PVC
- TWC3C Connecting to 3" Cast Iron
- TWC4P Connecting to 4" PVC
- TWC4C Connecting to 4" Cast Iron

13.) Other Options:

- T4 Manual Reset Toilet Overflow Preventer, Req. (FV)
- T4A Auto Reset Toilet Overflow Preventer, Req. (FV)
- ET4 Electronic Toilet Overflow Preventer, Requires (EFV) & (WUCC-3010) or (WMSII)
- FV Hydraulic Flush Valve (Includes Push Button)
- EFV Electronic Flush Valve (Pick Control)
- EFVP Electronic Flush Valve w/ (PZPB) (Pick Control)
- HS Hinged White Plastic Seat (Not recommended for Max. Security/Ligature-resistant use; No Cover)
- TFE Toilet Flush Extension
- FVT Flush Valve Connection
- RTH Recessed Tissue Holder (**Not ADA Compliant**) (Underneath Lav. Bowl)
- TB1 Single Toothbrush Holder (Not Ligature-resistant), (Located beside Lav. Bowl, opposite Toilet)
- TB2 Dual Toothbrush Holder (Not Ligature-resistant), (Located beside Lav. Bowl, opposite Toilet)
- TH1 Single Towel Hook (Located beside Lav. Bowl, opposite Toilet)
- TH2 Dual Towel Hook (Located beside Lav. Bowl, opposite Toilet)
- DC Decorator Color (Fixture exterior only - White)
- TF24H Hard-wired Transformer, 110VAC to 24VAC*
- TF24P Plug-in Transformer, 110VAC to 24VAC*
- HPS High Polish Seat
- MT Wall Template
- WS Wall Sleeve (Requires Accessible Chase)
- TG 12 Gauge Cabinet
- TSC Toilet Shipping Cover
- LSK Less Ligature-resistant Toilet Skirt
- PSL1-DMBH Ligature-resistant DM Bubbler/Filler**

- Other _____
- Other _____

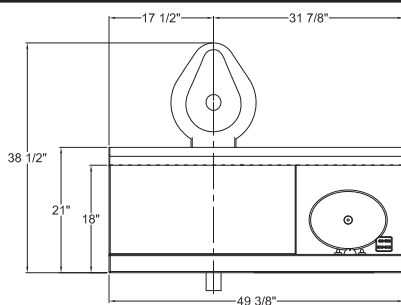
*(Req. 110V power through ground fault interrupter (GFCI) receptacle)

** (Panel Mounted Push Button)

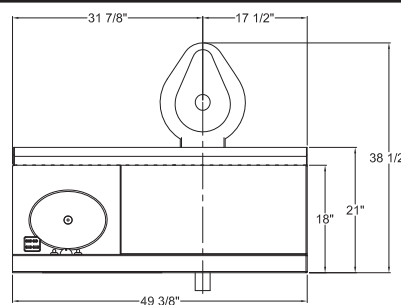
Approved For Manufacturing By: _____ Date: _____ Company: _____

Wall Thickness: _____ Wall Type: _____

VERIFY ALL DIMENSIONS WITH FACTORY PRIOR TO ROUGH-IN
 WILLOUGHBY RESERVES THE RIGHT TO MAKE CHANGES IN DESIGN AND DIMENSIONS WITHOUT FORMAL NOTICE AND WITHOUT INCURRING OBLIGATION.

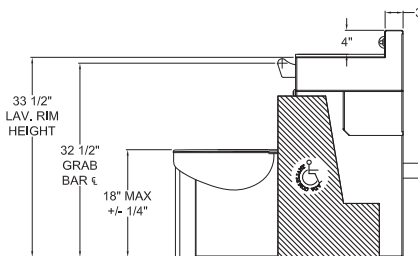


PLAN VIEW- RIGHT HAND CONFIGURATION



PLAN VIEW- LEFT HAND CONFIGURATION

IN COMPLIANCE WITH A.D.A. 2010
 1.6 GPF SHOWN



SIDE VIEW (LEFT HAND CONFIGURATION)

visit our website at www.willoughby-ind.com

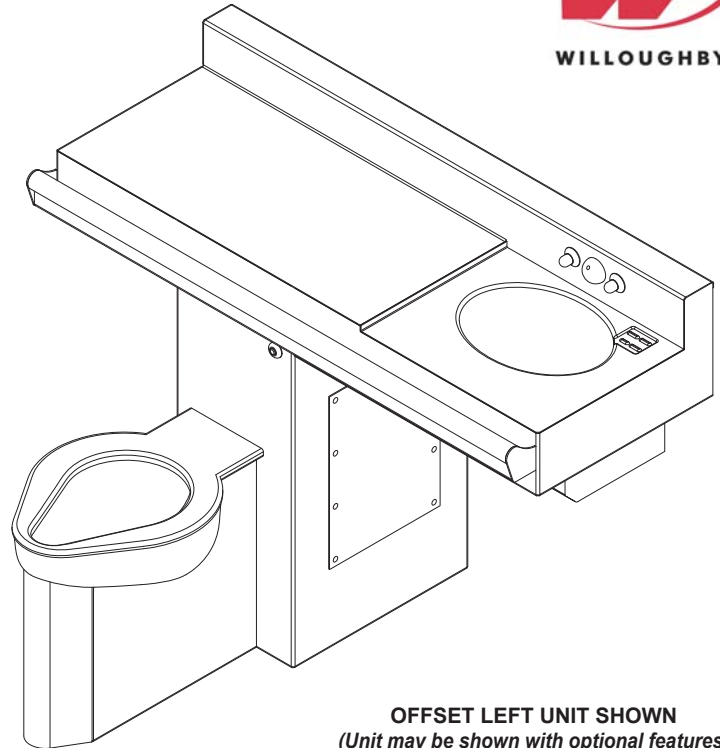
5105 West 78th Street • Indianapolis, IN. 46268

(317) 875-0830 • Fax: (317) 875-0837 • (800) 428-4065



MADE IN THE U.S.A.

4896-FA Series Front Access Ligature-resistant Handicap-ADA Compliant 49" Wide (90° Chase) Combination Units



To specify fixture and accessories, use the Model Number and Options page.
Example: To specify a Front Access Ligature-resistant Handicap-ADA Compliant 49" Wide (90° Chase) Combination Lavatory/Toilet with wall outlet, offset left toilet, standard ligature-resistant filler/bubbler, 1.6 GPF, dual temp. pneumatic metering valve, standard ligature-resistant push buttons, removable lav. 'p' trap, lav. slow drain, toilet waste extension, standard gasketed waste connection, hydraulic flush valve, and wall template
Use the following Willoughby Model Number:
ECW-4896-FA-L-ON-BPH-1.6-PML2-PBH-RPT-SLOW-GWC-FV-MT

Recommended Specifications

Front Access Ligature-resistant Handicap-ADA Compliant 49" Wide (90° Chase) Combination Lavatory/Toilet shall be:
Willoughby Model No. **EC__-4896-FA**
(Select from model number and options list on next page)

Fixture shall be fabricated from 14 gauge, type 304 stainless steel. The construction shall be all welded, with exposed stainless surfaces polished to a #4 satin finish. Removable access panels, attached w/ security screws shall provide access to fixture interior.

Standard toilet shall include:

- Ligature resistant toilet skirt (extends to floor)
- Elongated toilet bowl with contoured seat
- Integral crevice-free self-draining flushing rim with positive afterfill
- Fully enclosed 2-1/2" O.D. trap which shall maintain a minimum 2" seal and pass a 2-1/8" ball
- Bead blast finish bowl interior

Toilet shall be blowout type, requiring 35 psi min. flushing pressure. Model shall meet the requirements of ASME A112.19.3/CSA B45.4.

Standard lavatory shall include:

- Oval-shaped bowl, 13" x 9-1/2" x 6" deep
- Stainless steel ligature-resistant bubbler/filler
- Slow drain with air vent
- Self-draining soap dish
- Removable slip-joint brass union 'P' trap (1-1/2" N.P.T.)

An integral behind-toilet grab bar with ligature-resistant closure plate is provided standard.

Fixture shall withstand loadings of 5,000 lbs. without permanent damage. Cabinet interior shall be sound deadened with fire-resistant material.

Optionally selected lavatory valve and flush valve shall be factory installed inside fixture cabinet.

Anchoring shall be from the front, anchoring holes provided. Anchoring hardware provided by others. Standard unit requires no chase area for installation and maintenance, however certain non-standard options may require an accessible chase (see options list for details).

On back to back fixture installations, do not use standard cross type waste fitting: cross flow may result due to blowout jet action. Use sanitary or offset type waste fittings.

Note: For HET 1.28 GPF, unit will pass a 2" ball.

visit our website at www.willoughby-ind.com
5105 West 78th Street • Indianapolis, IN. 46268
(317) 875-0830 • Fax: (317) 875-0837 • (800) 428-4065



MADE IN THE U.S.A.

MODEL NUMBER AND OPTIONS:

1.) Toilet Waste Location:

- ECW Wall Outlet
- ECF Floor Outlet

2.) Base Model Number:

- 4896-FA Front Access Ligature-resistant Handicap-ADA Compliant 49" Wide (90°Chase) Combination Lav./Toilet

3.) Toilet Orientation:

- L Offset Left
- R Offset Right

4.) Fixture Mounting:

- ON On-Floor

5.) Bubblers Selection:

- BPH Ligature-resistant Bubbler/Filler (Standard)
- FLH Ligature-resistant Lav. Filler

6.) Flush Valve GPF (Must Specify):

- 1.28 GPF HET
- 1.6 GPF ULF (Standard)
- 3.5 GPF (3" waste tube required)

7.) Lavatory Valve Selection:

- NV No Valve
- PSL1 Single Temp. Pneumatic Non-metering
- PSL2 Dual Temp. Pneumatic Non-metering
- PML1 Single Temp. Pneumatic Metering
- PML2 Dual Temp. Pneumatic Metering
- E1L1 Single Temp. Electronic (Pick Control)
- E1L2 Dual Temp. Electronic (Pick Control)

8.) Lavatory Push Button Selection:

- PBH Ligature-resistant Push Buttons
- EPBH Ligature-resistant Electronic Push Buttons
- PZPB Piezo Electronic Push Buttons

9.) Electronic Controls*

- (Must Use Electronic Lavatory & Flush Valves):**
- WUCC-3010 Pneutronic WMSII

10.) Lavatory Waste:

- RPT Removable 'P'-Trap (1-1/2" N.P.T.) (Standard)
- OV Lavatory Overflow
- CW1 Combined Waste w/o Clean-out
- CW2 Combined Waste w/ Clean-out
- SLOW Slow Drain (Standard)

11.) Toilet Waste:

- GWC Gasketed Waste Connection (Standard)
- TWE Toilet Waste Extension (Requires Accessible Chase)
- TW4 Floor Outlet Waste Connection
- WO3 3" Toilet 'P'-Trap (3.5 GPF Only)

12.) Waste Coupling for (TWE) Toilet Waste Extension:

- TWC3P Connecting to 3" PVC
- TWC3C Connecting to 3" Cast Iron
- TWC4P Connecting to 4" PVC
- TWC4C Connecting to 4" Cast Iron

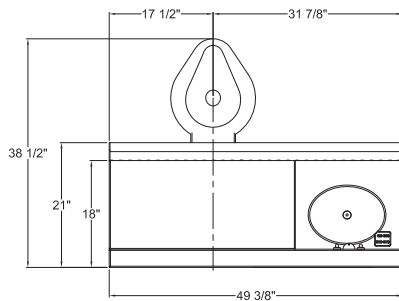
*(Req. 110V power through ground fault interrupter (GFCI) receptacle)

13.) Other Options:

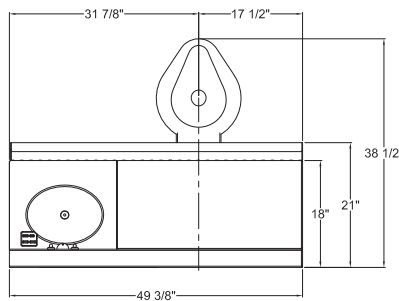
- T4 Manual Reset Toilet Overflow Preventer, Req. (FV)
- T4A Auto Reset Toilet Overflow Preventer, Req. (FV)
- ET4 Electronic Toilet Overflow Preventer, Requires (EFV) & (WUCC-3010) or (WMSII)
- FV Hydraulic Flush Valve (Includes Push Button)
- EFV Electronic Flush Valve (Pick Control)
- EFVP Electronic Flush Valve w/ (PZPB) (Pick Control)
- HS Hinged White Plastic Seat (Not recommended for Max. Security/Ligature-resistant use; No Cover)
- RTH Recessed Tissue Holder (**Not ADA Compliant**) (Underneath Lav. Bowl)
- TB1 Single Toothbrush Holder (Not Ligature-resistant), (Located beside Lav. Bowl, opposite Toilet)
- TB2 Dual Toothbrush Holder (Not Ligature-resistant), (Located beside Lav. Bowl, opposite Toilet)
- TH1 Single Towel Hook (Located beside Lav. Bowl, opposite Toilet)
- TH2 Dual Towel Hook (Located beside Lav. Bowl, opposite Toilet)
- DC Decorator Color (Fixture exterior only - White)
- TF24H Hard-wired Transformer, 110VAC to 24VAC*
- TF24P Plug-in Transformer, 110VAC to 24VAC*
- HPS High Polish Seat
- MT Wall Template
- WS Wall Sleeve (Requires Accessible Chase)
- TG 12 Gauge Cabinet
- TSC Toilet Shipping Cover
- LSK Less Ligature-resistant Toilet Skirt
- PSL1-DMBH Ligature-resistant DM Bubbler/Filler**
** (Panel Mounted Push Button)
- Other _____
- Other _____

Approved For Manufacturing By: _____ Date: _____ Company: _____
 Wall Thickness: _____ Wall Type: _____

VERIFY ALL DIMENSIONS WITH FACTORY PRIOR TO ROUGH-IN
 WILLOUGHBY RESERVES THE RIGHT TO MAKE CHANGES IN DESIGN AND DIMENSIONS WITHOUT FORMAL NOTICE AND WITHOUT INCURRING OBLIGATION.

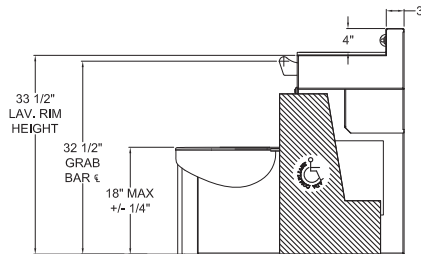


PLAN VIEW- RIGHT HAND CONFIGURATION



PLAN VIEW- LEFT HAND CONFIGURATION

IN COMPLIANCE WITH A.D.A. 2010
 1.6 GPF SHOWN



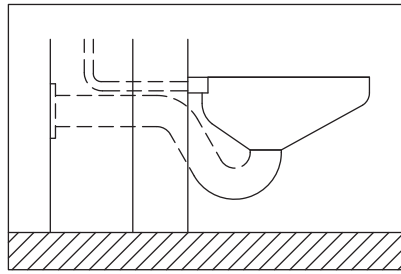
SIDE VIEW (LEFT HAND CONFIGURATION)

visit our website at www.willoughby-ind.com
 5105 West 78th Street • Indianapolis, IN. 46268
 (317) 875-0830 • Fax: (317) 875-0837 • (800) 428-4065

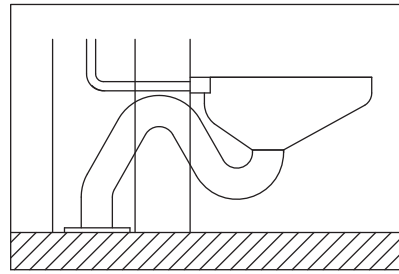


MADE IN THE U.S.A.

TOILET WASTE LOCATION

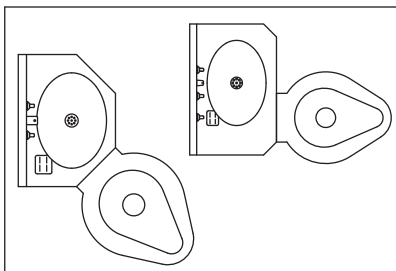


(ECW)- WALL OUTLET

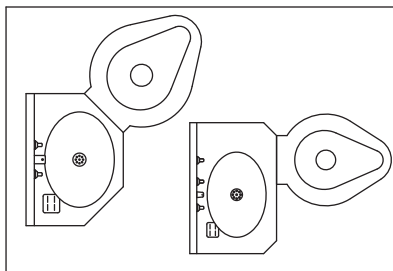


(ECF)- FLOOR OUTLET

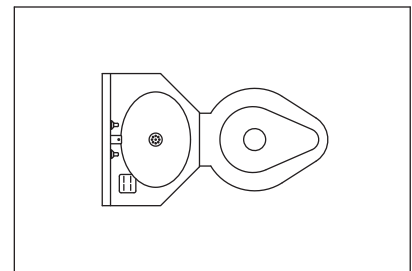
TOILET ORIENTATION



(L)- ANGLED LEFT
(L)- OFFSET LEFT

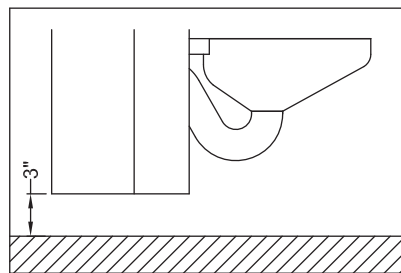


(R)- ANGLED RIGHT
(R)- OFFSET RIGHT

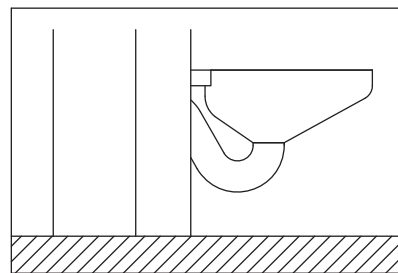


(C)- CENTER

FIXTURE MOUNTING

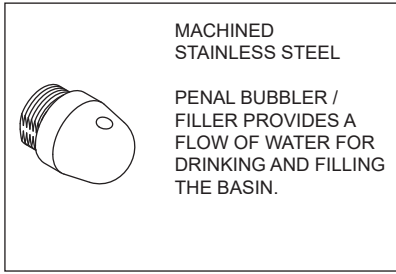


(OF)- OFF FLOOR

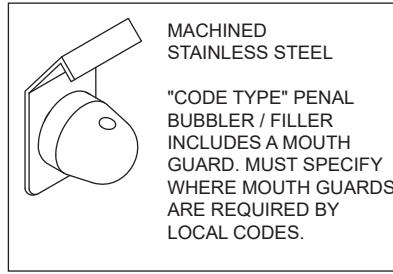


(ON)- ON FLOOR

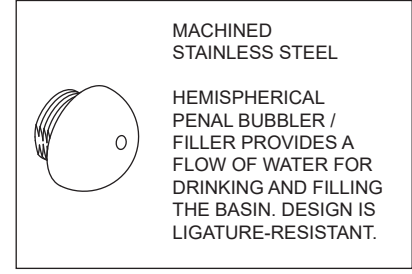
LAVATORY BUBBLER SELECTION



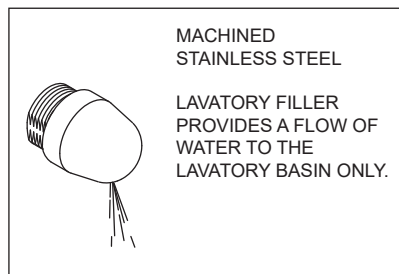
(BP)- PENAL BUBBLER / FILLER



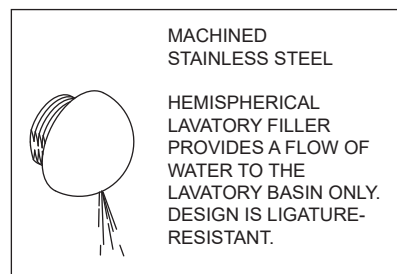
(BC)- CODE BUBBLER / FILLER



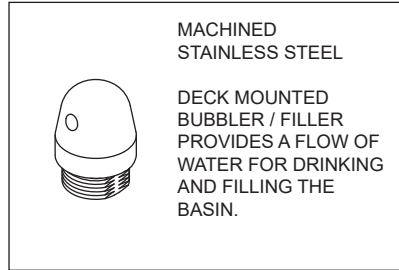
(BPH)- LIGATURE-RESISTANT
BUBBLER / FILLER



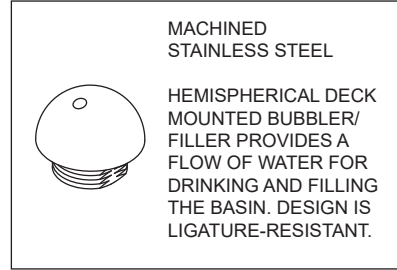
(FL)- PENAL LAV. FILLER



(FLH)- LIGATURE-RESISTANT
LAV. FILLER



(DMB)- DECK MOUNTED BUBBLER /
FILLER



(DMBH)- LIGATURE-RESISTANT DECK
MOUNTED BUBBLER / FILLER

visit our website at www.willoughby-ind.com

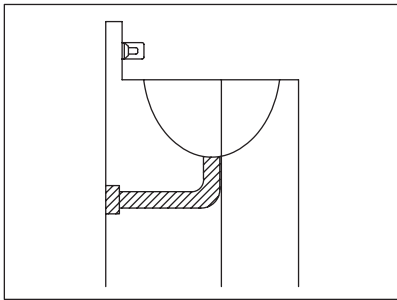
5105 West 78th Street • Indianapolis, IN. 46268

(317) 875-0830 • Fax: (317) 875-0837 • (800) 428-4065

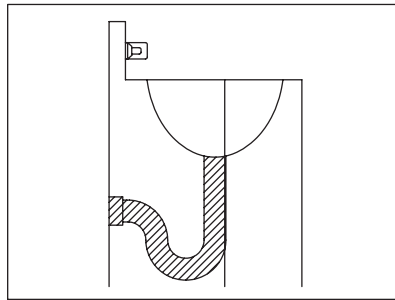


MADE IN THE U.S.A.

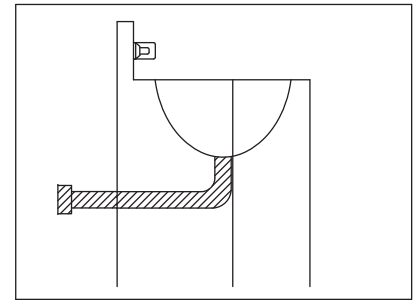
LAVATORY WASTE



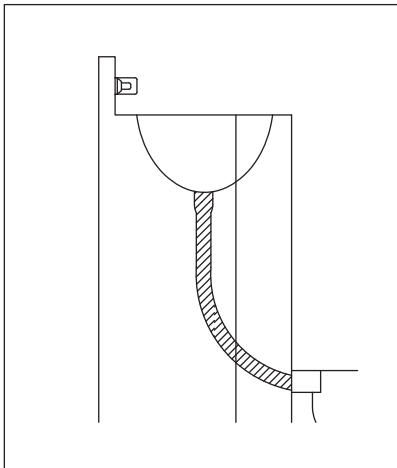
(EB)- ELBOW WASTE
(1-1/2" F.I.P.)



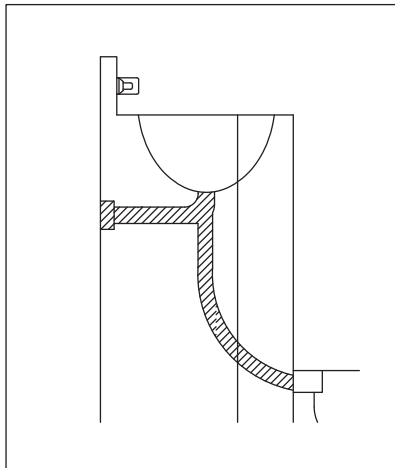
(PT)- INTEGRAL P-TRAP
(1-1/2" F.I.P.)



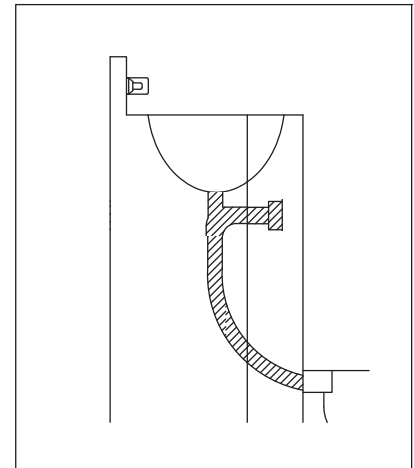
(LWE)- LAVATORY WASTE EXTENSION
(1-1/2" F.I.P.)



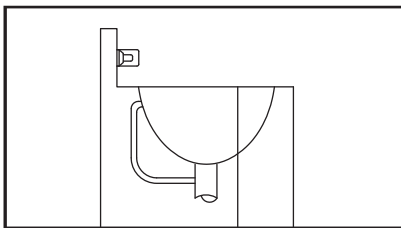
(CW1)- COMBINED WASTE
W/O CLEANOUT
(CHECK CODES FOR ACCEPTANCE)



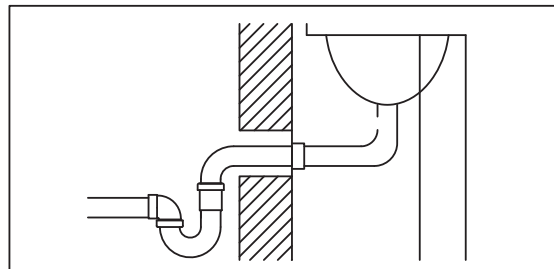
(CW2)- COMBINED WASTE
W/ CLEANOUT (1-1/2" F.I.P.)
(CHECK CODES FOR ACCEPTANCE)



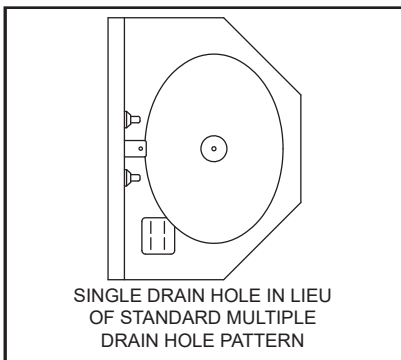
(CW2) FOR "FA"- COMBINED WASTE
W/ "FA" CLEANOUT (1-1/2" F.I.P.)
(CHECK CODES FOR ACCEPTANCE)



(OV)- LAVATORY OVERFLOW

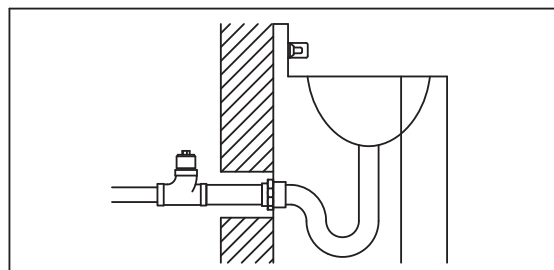


(LW1)- BRASS THRU-WALL EXTENSION P-TRAP
(FOR USE W/ (EB) ELBOW WASTE)



SINGLE DRAIN HOLE IN LIEU
OF STANDARD MULTIPLE
DRAIN HOLE PATTERN

(SLOW)- SLOW DRAIN



(LW2)- BRASS THRU-WALL EXTENSION P-TRAP
(FOR USE W/ (PT) INTEGRAL 'P'-TRAP)

visit our website at www.willoughby-ind.com

5105 West 78th Street • Indianapolis, IN. 46268

(317) 875-0830 • Fax: (317) 875-0837 • (800) 428-4065

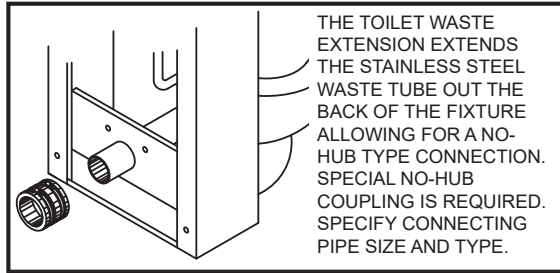


MADE IN THE U.S.A.



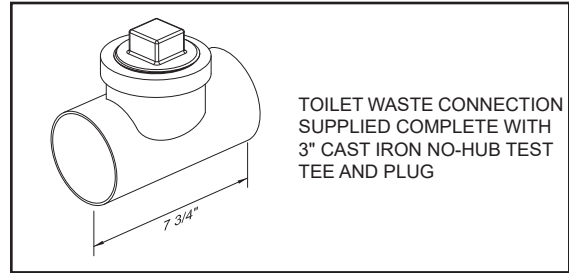
WILLOUGHBY

TOILET WASTE



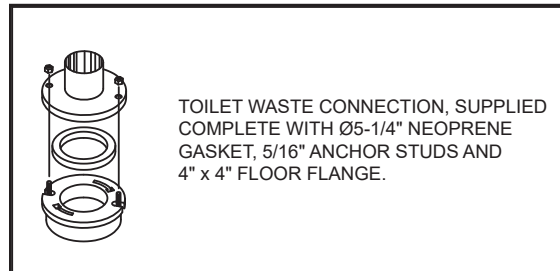
THE TOILET WASTE EXTENSION EXTENDS THE STAINLESS STEEL WASTE TUBE OUT THE BACK OF THE FIXTURE ALLOWING FOR A NO-HUB TYPE CONNECTION. SPECIAL NO-HUB COUPLING IS REQUIRED. SPECIFY CONNECTING PIPE SIZE AND TYPE.

(TWE)- TOILET WASTE EXTENSION



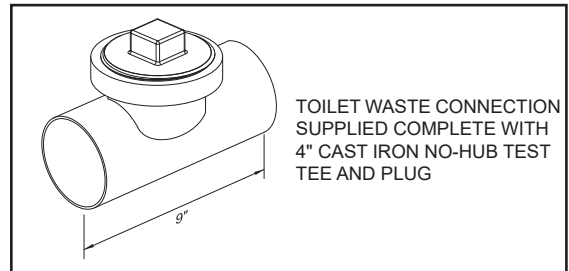
TOILET WASTE CONNECTION SUPPLIED COMPLETE WITH 3" CAST IRON NO-HUB TEST TEE AND PLUG

(TW3)- NO-HUB WASTE W/ 3" CLEAN-OUT



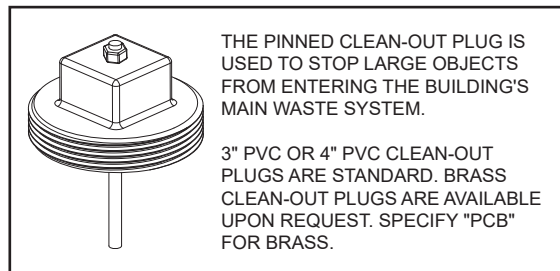
TOILET WASTE CONNECTION, SUPPLIED COMPLETE WITH Ø5-1/4" NEOPRENE GASKET, 5/16" ANCHOR STUDS AND 4" x 4" FLOOR FLANGE.

(TW4) FLOOR OUTLET WASTE CONNECTION



TOILET WASTE CONNECTION SUPPLIED COMPLETE WITH 4" CAST IRON NO-HUB TEST TEE AND PLUG

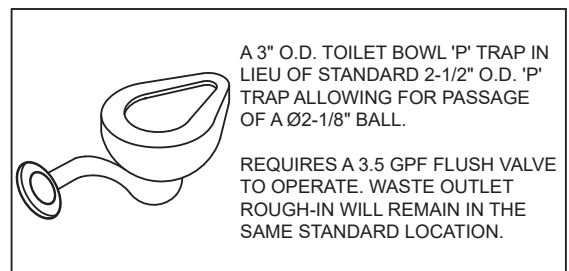
(TW5)- NO-HUB WASTE W/ 4" CLEAN-OUT



THE PINNED CLEAN-OUT PLUG IS USED TO STOP LARGE OBJECTS FROM ENTERING THE BUILDING'S MAIN WASTE SYSTEM.

3" PVC OR 4" PVC CLEAN-OUT PLUGS ARE STANDARD. BRASS CLEAN-OUT PLUGS ARE AVAILABLE UPON REQUEST. SPECIFY "PCB" FOR BRASS.

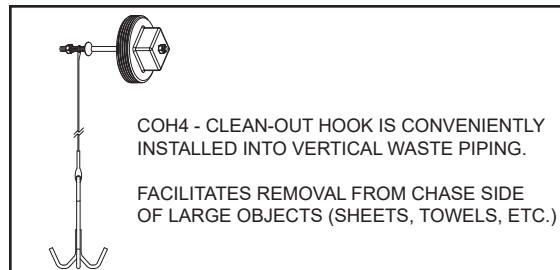
(PC_) - PINNED CLEAN-OUT PLUG



A 3" O.D. TOILET BOWL 'P' TRAP IN LIEU OF STANDARD 2-1/2" O.D. 'P' TRAP ALLOWING FOR PASSAGE OF A Ø2-1/8" BALL.

REQUIRES A 3.5 GPF FLUSH VALVE TO OPERATE. WASTE OUTLET ROUGH-IN WILL REMAIN IN THE SAME STANDARD LOCATION.

(WO3) TOILET 'P'-TRAP (3.5 GPF ONLY)



COH4 - CLEAN-OUT HOOK IS CONVENIENTLY INSTALLED INTO VERTICAL WASTE PIPING.

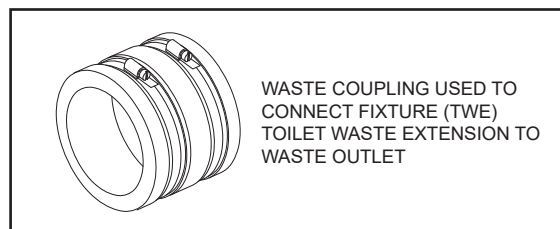
FACILITATES REMOVAL FROM CHASE SIDE OF LARGE OBJECTS (SHEETS, TOWELS, ETC.)

(COH4) CLEAN-OUT HOOK



GASKETED TOILET WASTE CONNECTION TO MATE WITH INSTALLER-SUPPLIED FLANGE

(GWC)- GASKETED WASTE CONNECTION (WALL OUTLET SHOWN)



WASTE COUPLING USED TO CONNECT FIXTURE (TWE) TOILET WASTE EXTENSION TO WASTE OUTLET

(TWC_) - TOILET WASTE COUPLING

visit our website at www.willoughby-ind.com

5105 West 78th Street • Indianapolis, IN. 46268

(317) 875-0830 • Fax: (317) 875-0837 • (800) 428-4065

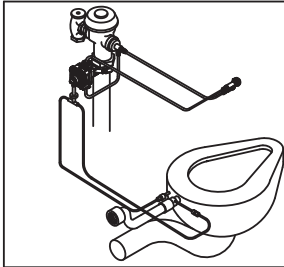


MADE IN THE U.S.A.



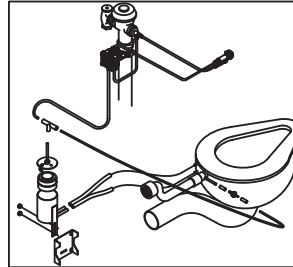
WILLOUGHBY

OTHER OPTIONS



THE TOILET OVERFLOW PREVENTER IS RECOMMENDED FOR FACILITIES WITH HIGH VANDALISM. (T4) IS NORMALLY USED IN CONJUNCTION WITH A BACK SUPPLY TOILET OR COMBINATION UNIT WHERE AN ACCESSIBLE PIPE CHASE IS PROVIDED

(T4)- MANUAL RESET TOP FOUR OVERFLOW PREVENTER
(REQUIRES HYDRAULIC FLUSH VALVE)



THE TOILET OVERFLOW PREVENTER IS RECOMMENDED FOR FACILITIES WITH HIGH VANDALISM. (T4A) IS NORMALLY USED IN CONJUNCTION WITH A BACK SUPPLY TOILET OR COMBINATION UNIT WHERE AN ACCESSIBLE PIPE CHASE IS PROVIDED

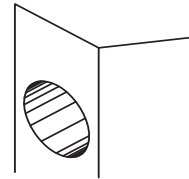
(T4A)- AUTO RESET TOP FOUR OVERFLOW PREVENTER
(REQUIRES HYDRAULIC FLUSH VALVE)



ELONGATED PLASTIC SEAT IS OF SANITARY, OPEN FRONT DESIGN, NOT RECOMMENDED IN MAXIMUM SECURITY AREAS

(AVAILABLE IN WHITE)

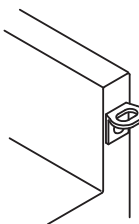
(HS)- HINGED PLASTIC SEAT



DESIGNED TO ACCOMMODATE A STANDARD TISSUE ROLL. THE TISSUE HOLDER IS WELDED INTO THE CABINET, GROUND SMOOTH AND POLISHED.

(MUST SPECIFY LOCATION)

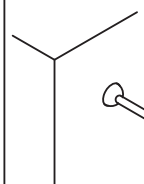
(RTH __)- RECESSED TISSUE HOLDER



TOOTHBRUSH HOLDER(S) CAN BE MOUNTED TO EITHER SIDE OR BOTH SIDES OF THE FIXTURE BACKSPASH, THE TOOTHBRUSH HOLDER IS FASTENED TO THE FIXTURE CABINET.

(MUST SPECIFY LOCATION)

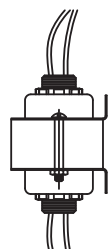
(TB1 __)- SINGLE TOOTHBRUSH HOLDER
(TB2 __)- DUAL TOOTHBRUSH HOLDER



THIS PRESSURE ACTIVATED RELEASE TOWEL HOOK WILL SUPPORT LIGHT CLOTHING & TOWEL LOADS, HOWEVER, EXCESSIVE LOADS PLACED ON THE HOOK WILL CAUSE IT TO RELEASE DOWNWARD.

(MUST SPECIFY LOCATION)

(TH1 __)- SINGLE TOWEL HOOK
(TH2 __)- DUAL TOWEL HOOK



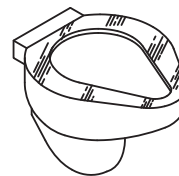
JACKSON CONTROL OR EQUIVALENT 24VAC, 40A TRANSFORMER.

(TF24H) HARDWIRE: FOOT MOUNT END COVERS, VERTICAL W/ 1/2" THREADED CONDUIT HUBS & LOCK NUTS ON BOTH EXITS

(TF24P) PLUG-IN: FOR 110VAC GFCI OUTLET

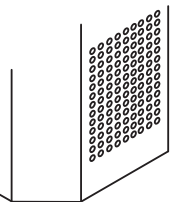
TRANSFORMER TO BE LABELED WITH "UL" AND "CSA" CERTIFICATION MARKS.

(TF24 __)- TRANSFORMER, 110VAC TO 24VAC



TOILET SEAT TOP IS POLISHED TO A #7 MIRROR FINISH.

(HPS)- HIGH POLISH SEAT



A SERIES OF 1/4" HOLES PUNCHED ON 1/2" CENTERS PROVIDES AN ECONOMICAL MEANS OF PROVIDING A RETURN AIR SOURCE THROUGH THE FIXTURE AND WALL OPENING. (DUCT WORK AND DUCT FLANGES BY OTHERS).

(MUST SPECIFY LOCATION AND FREE AREA REQUIREMENTS.)

(VG)- VENTILATION GRILLE



CONSTRUCTED OF 18 GAUGE GALVANIZED STEEL.

METAL WALL TEMPLATES PROVIDE FOR FIXTURE ROUGH-IN CUT-OUTS IN A STEEL WALL. THE TEMPLATE HAS INTEGRAL LAYOUT PATTERNS FOR CUTTING OR DRILLING WALL OPENINGS.

(MT)- WALL TEMPLATE

visit our website at www.willoughby-ind.com

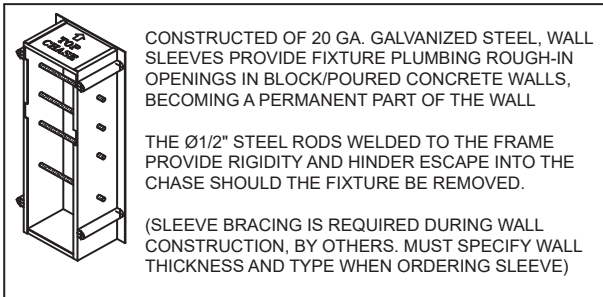
5105 West 78th Street • Indianapolis, IN. 46268

(317) 875-0830 • Fax: (317) 875-0837 • (800) 428-4065

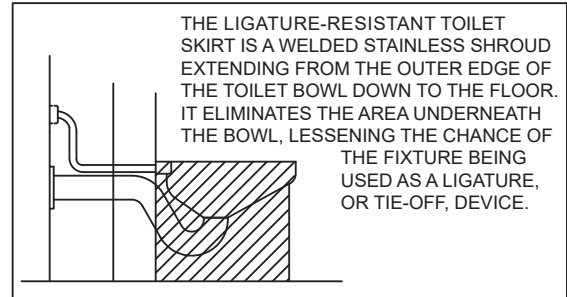


MADE IN THE U.S.A.

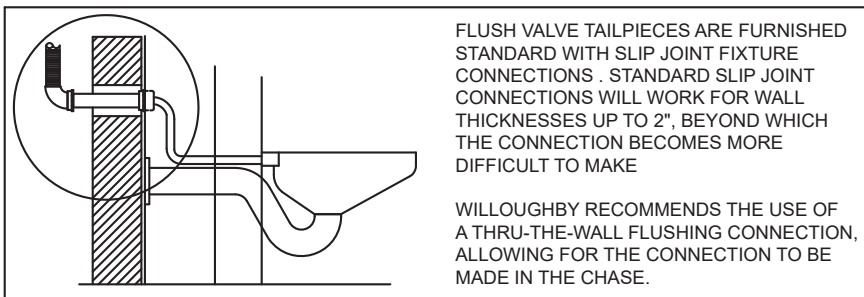
OTHER OPTIONS (CONTINUED)



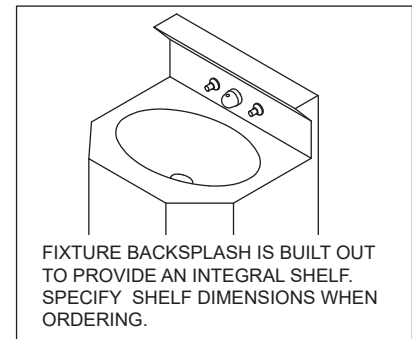
(WS)- WALL SLEEVE



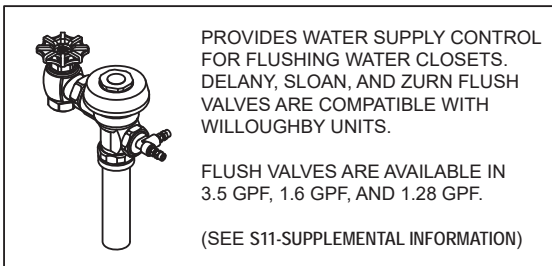
(SK)- LIGATURE-RESISTANT TOILET SKIRT



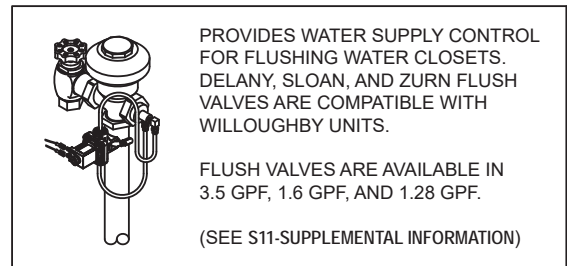
(FVT)- FLUSH VALVE THROUGH WALL CONNECTION



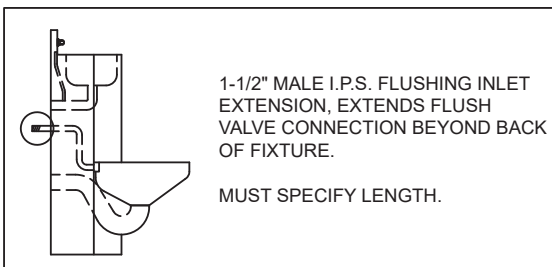
(ISH)- INTEGRAL SHELF



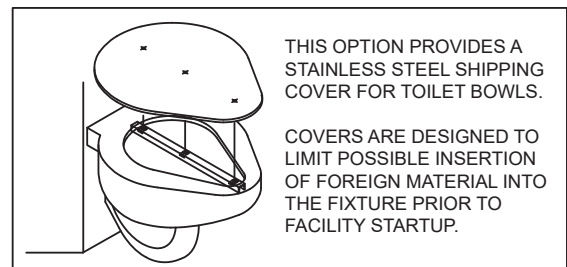
(FV)- FLUSH VALVE



(EFV)- ELECTRONIC FLUSH VALVE
(FOR USE W/ WILLOUGHBY ELECTRONIC CONTROLS)

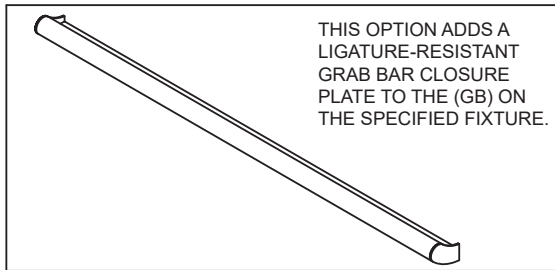


(TFE)- TOILET FLUSH EXTENSION

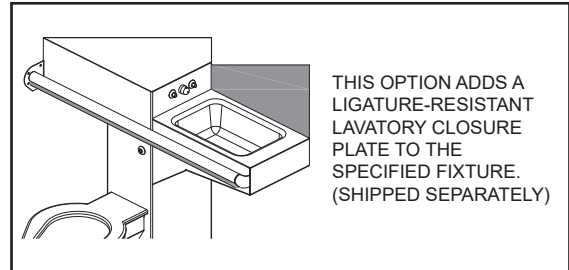


(TSC)- TOILET SHIPPING COVER

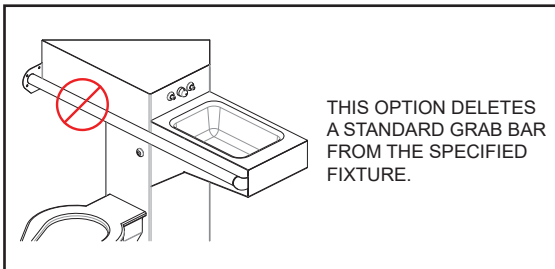
OTHER OPTIONS (CONTINUED)



(GBC)- GRAB BAR CLOSURE PLATE



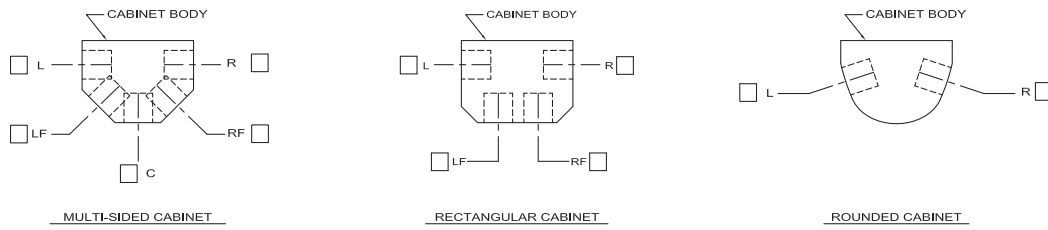
(LVCP)- LAVATORY CLOSURE PLATE



(LGB)- LESS GRAB BAR (ON (GB)-STANDARD COMBI)

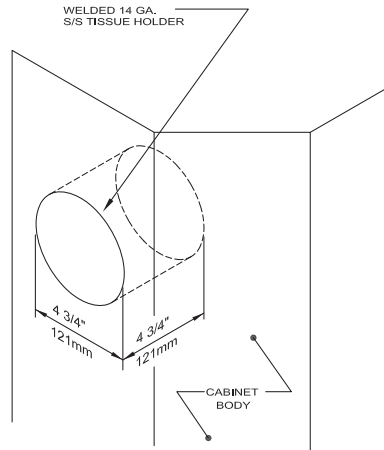
PLACEMENT DIAGRAMS

(RTH__)

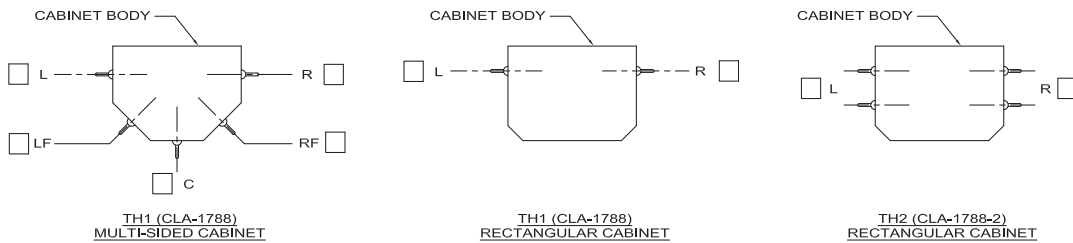


RTH - Designed to accommodate a tissue roll and to facilitate the detection of hidden contraband. The tissue holder is integrally welded into the cabinet, ground smooth and polished to match the standard cabinet finish.

IF NO SELECTION IS MADE, TISSUE HOLDER WILL BE PLACED IN FRONT (C) LOCATION FOR UNITS WITH ANGLED TOILET BOWLS, AND IN LEFT FRONT (LF) LOCATION FOR UNITS WITH CENTERED TOILET BOWLS.

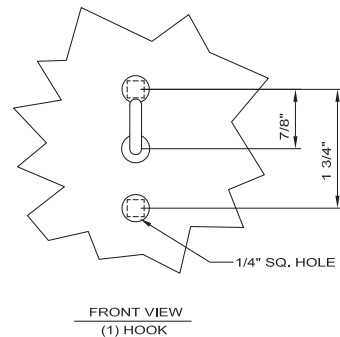
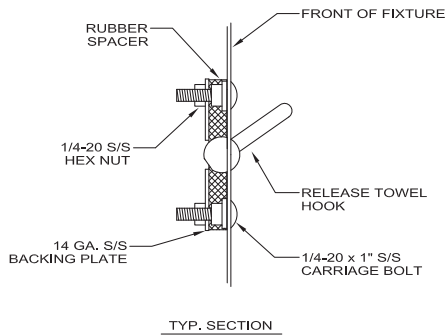


(TH__)

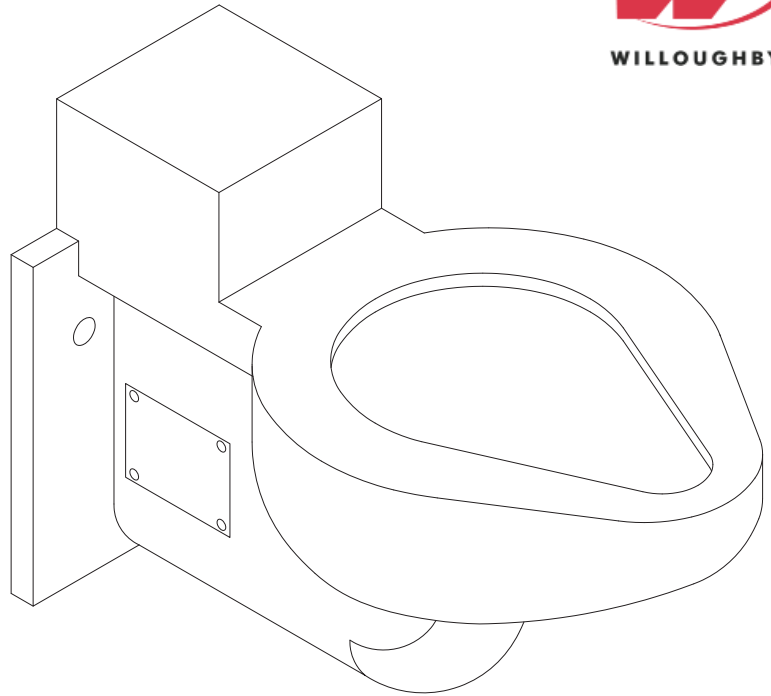


CLA-1788 - This ligature-resistant pressure activated release towel hook will support light clothing and towel loads, however, excessive loads placed on the hook will render its function useless.

IF NO SELECTION IS MADE, TOWEL HOOK WILL BE PLACED ON SIDE OPPOSITE FLUSH VALVE.



ETW-1490-CM Wall Outlet Carrier Mounted (3-bolt) Blowout Series Water Closet



 **IN COMPLIANCE***
WITH ADA 2010
& CBC 2013, 11B

* IF MOUNTING FIXTURE WITH
FINISHED TOILET SEAT HEIGHT
BETWEEN 17"-19" A.F.F.

(1.6 GPF UNIT SHOWN)
(Unit may be shown with optional features)

To specify fixture and accessories, use the Model Number and Options page.
Example: To specify a Wall Outlet, Carrier Mounted (3-bolt), Blowout Series Toilet with top spud, 1.6 GPF, gasketed waste connection, hydraulic flush valve, flush valve cover, high polish seat, and toilet shipping cover
Use the following Willoughby Model Number:
ETW-1490-CM-TS-1.6-GWC-FV-FVC-HPS-TSC

Recommended Specifications

Wall Outlet, Carrier Mounted (3-bolt), Blowout Series Toilet shall be:
Willoughby Model No. **ETW-1490-CM**
(Select from model number and options list on next page)

Fixture shall be fabricated from 14 gauge, T304 stainless steel. The construction shall be all welded, with exposed stainless surfaces polished to a #4 satin finish.

Standard toilet shall include:

- Elongated toilet bowl with contoured seat
- Integral crevice-free self-draining flushing rim with positive afterfill
- Fully enclosed 2-1/2" O.D. trap which shall maintain a minimum 2" seal and pass a 2-1/8" ball
- Bead blast finish bowl interior

Toilet shall be blowout type, requiring 35 PSI minimum flushing pressure. Model shall meet the requirements of ASME A112.19.3/CSA B45.4.

Fixture shall withstand loadings of 5,000 lbs. without permanent damage.

Anchoring shall be by standard 3-bolt blowout carrier. (Carrier and fasteners by others).

Unit requires no chase area for installation and maintenance unless specified with any Toilet Waste Extension options or Toilet Overflow Preventer options.

On back to back fixture installations, do not use standard cross type waste fitting: cross flow may result due to blowout jet action. Use sanitary or off-set type waste fittings.

Note: For HET 1.28 GPF, unit will pass a 2" ball.



MODEL NUMBER AND OPTIONS:

1.) Base Model Number:

- ETW-1490-CM Wall Outlet, Carrier Mounted (3-bolt), Blowout Series Toilet

2.) Inlet Location:

- BS Back Spud
- TS Top Spud

3.) Flush Valve GPF (Must Specify):

- 1.28 GPF HET
- 1.6 GPF ULF (Standard)
- 3.5 GPF (3" waste tube required)

4.) Toilet Waste:

- GWC Gasketed Waste Connection (Standard)

5.) Other Options:

- T4 Manual Reset Toilet Overflow Preventer, Requires: (FV) Hydraulic Flush Valve and Accessible Chase
- T4A Auto Reset Toilet Overflow Preventer, Requires: (FV) Hydraulic Flush Valve and Accessible Chase
- ET4 Electronic Toilet Overflow Preventer*, Requires (EFV), Accessible Chase, & (WUCC-3010) or (WMSII) control
- FV Hydraulic Flush Valve (Includes Actuator)
- EFV Electronic Flush Valve (Pick Control)*
- EFVP Electronic Flush Valve w/ (PZPB) Piezo Push Button (Pick Control)*
- FVT Flush Valve Connection (Back Spud Only)

[CONTINUED IN NEXT COLUMN:]

[Other Options CONTINUED:]

- ASFVC Flush Valve Cover (Ligature-resistant, Top Spud Only)
- ASFVCADA Ligature-resistant ADA Flush Valve Cover (Top Spud Only)
- AP Flush Valve Access Panel (Allows access to chase-mounted flush valve from fixture side)
- HS Hinged White Plastic Seat (No Cover, not recommended for Maximum Security/Ligature-resistant use)
- DC Decorator Color (Fixture exterior only - White)
- TF24H Hard-wired Transformer, 110VAC to 24VAC*
- TF24P Plug-in Transformer, 110VAC to 24VAC*
- HPS High Polish Seat
- TSC Toilet Shipping Cover
- RTH1 Wall Mounted Recessed Tissue Holder (Rear Mounted, Requires Accessible Chase)
- RTH2 Wall Mounted Recessed Tissue Holder (Front Mounted, 4-1/2" Depth)
- Other _____
- Other _____

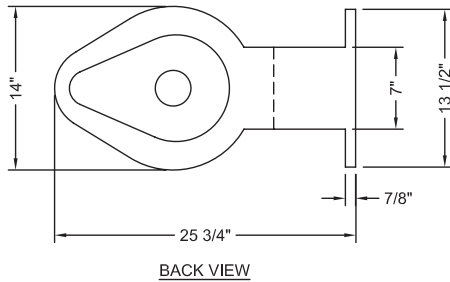
6.) Electronic Controls* (Must Use Electronic Flush Valve):

- WUFC-4000 Pneumatic WMSII
- WUCC-3010 (Select WUCC-3010 Control if pairing a Toilet with a Lavatory or if the Toilet is selected with an (ET4) overflow option)

* (Req. 110V power through ground fault interrupter (GFCI) receptacle)

Approved For Manufacturing By: _____ Date: _____ Company: _____
 Wall Thickness: _____ Wall Type: _____

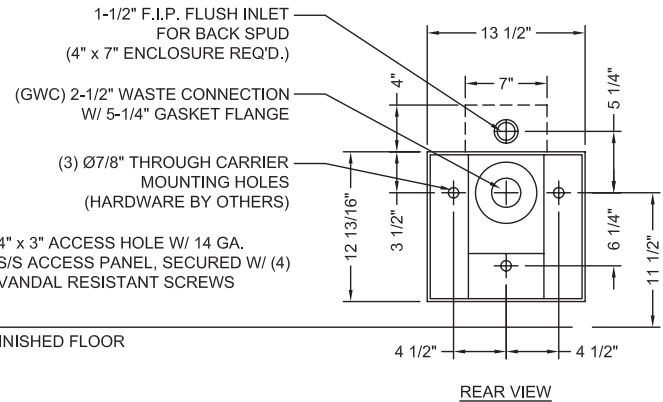
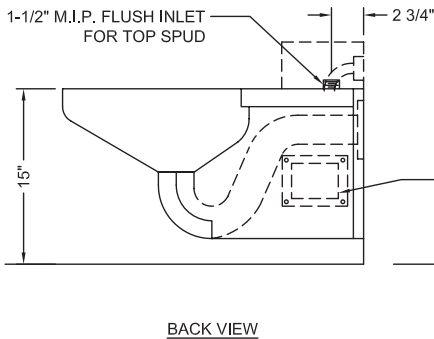
VERIFY ALL DIMENSIONS WITH FACTORY PRIOR TO ROUGH-IN
 WILLOUGHBY RESERVES THE RIGHT TO MAKE CHANGES IN DESIGN AND DIMENSIONS WITHOUT FORMAL NOTICE AND WITHOUT INCURRING OBLIGATION.



IN COMPLIANCE*
WITH ADA 2010
& CBC 2013, 11B
 * IF MOUNTING FIXTURE WITH FINISHED TOILET SEAT HEIGHT BETWEEN 17"-19" A.F.F.

1.6 GPF VERSION SHOWN

3.5 AND 1.28 MAY VARY IN SIZE

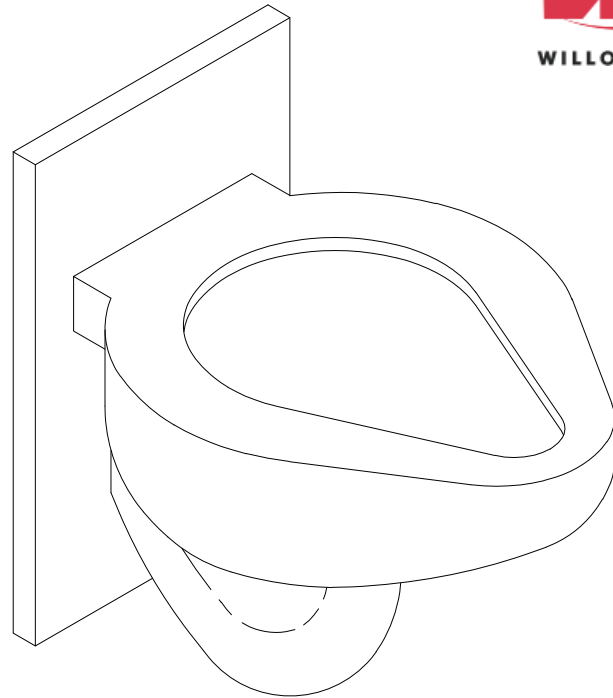


visit our website at www.willoughby-ind.com
 5105 West 78th Street • Indianapolis, IN. 46268
 (317) 875-0830 • Fax: (317) 875-0837 • (800) 428-4065



MADE IN THE U.S.A.

ETW-1490-ES Wall Outlet Compact Blowout Series Water Closet



(1.6 GPF UNIT SHOWN)

(Unit may be shown with optional features)



IN COMPLIANCE
WITH A.D.A. 2010

* IF MOUNTING WITH
SEAT HEIGHT BETWEEN
17"-19" A.F.F.

To specify fixture and accessories, use the Model Number and Options page.

Example: To specify a Wall Outlet, Compact Blowout Series Toilet with standard back spud, 1.6 GPF, toilet waste extension, 3" PVC waste connection, hydraulic flush valve, flush valve connection, high polish seat, wall sleeve, and toilet shipping cover

Use the following Willoughby Model Number:

ETW-1490-ES-BS-1.6-TWE-TWC3P-FV-FVT-HPS-WS-TSC

Recommended Specifications

Wall Outlet, Compact Blowout Series Toilet shall be:
Willoughby Model No. **ETW-1490-ES**
(Select from model number and options list on next page)

Fixture shall be fabricated from 14 gauge, type 304 stainless steel.
The construction shall be all welded, with exposed stainless surfaces
polished to a #4 satin finish.

Standard toilet shall include:

- Elongated toilet bowl with contoured seat
- Integral crevice-free self-draining flushing rim with positive afterfill
- Fully enclosed 2-1/2" O.D. trap which shall maintain a minimum 2" seal and pass a 2-1/8" ball
- Bead blast finish bowl interior

Toilet shall be blowout type, requiring 35 PSI minimum flushing pressure. Model shall meet the requirements of ASME A112.19.3/CSA B45.4.

Fixture shall withstand loadings of 5,000 lbs. without permanent damage.

Anchoring shall be by standard 6-point system: threaded rods, nuts and washers shall be furnished for walls up to 8" thick.

Unit shall require chase area for installation and maintenance.

On back to back fixture installations, do not use standard cross type waste fitting: cross flow may result due to blowout jet action. Use sanitary or off-set type waste fittings.

Note: For HET 1.28 GPF, unit will pass a 2" ball.

visit our website at www.willoughby-ind.com

5105 West 78th Street • Indianapolis, IN. 46268
(317) 875-0830 • Fax: (317) 875-0837 • (800) 428-4065



MADE IN THE U.S.A.

MODEL NUMBER AND OPTIONS:

1.) Base Model Number:

- ETW-1490-ES Wall Outlet, Compact Blowout Series Toilet

2.) Inlet Location:

- BS Back Spud

3.) Flush Valve GPF (Must Specify):

- 1.28 GPF HET
- 1.6 GPF ULF (Standard)
- 3.5 GPF (3" waste tube required)

4.) Toilet Waste:

- TWE Toilet Waste Extension (Standard)
- TW3 3" Clean-out for (TWE)
- TW5 4" Clean-out for (TWE)
- GWC Gasketed Waste Connection
- WO3 3" Toilet 'P' Trap (3.5 GPF Only)
- PC3 Pinned Clean-out Plug PVC-3"
- PCB3 Pinned Clean-out Plug Brass-3"
- PC4 Pinned Clean-out Plug PVC-4"
- PCB4 Pinned Clean-out Plug Brass-4"
- COH4 4" Clean-out Hook, 4" PVC Plug

5.) Waste Coupling for (TWE) Toilet Waste Extension:

- TWC3P Connecting to 3" PVC
- TWC3C Connecting to 3" Cast Iron
- TWC4P Connecting to 4" PVC
- TWC4C Connecting to 4" Cast Iron

6.) Other Options:

- T4 Manual Reset Toilet Overflow Preventer, Requires: (FV) Hydraulic Flush Valve and Accessible Chase
- T4A Auto Reset Toilet Overflow Preventer, Requires: (FV) Hydraulic Flush Valve and Accessible Chase
- ET4 Electronic Toilet Overflow Preventer*, Requires (EFV), Accessible Chase, & (WUCC-3010) or (WMSII) control
- FV Hydraulic Flush Valve (Includes Actuator)
- EFV Electronic Flush Valve (Pick Control)*
- EFVP Electronic Flush Valve w/ (PZPB) Piezo Push Button (Pick Control)*
- TFE Toilet Flush Extension
- FVT Flush Valve Connection (Back Spud Only)
- AP Flush Valve Access Panel (Allows access to chase mounted flush valve from fixture side)
- DC Decorator Color (Fixture exterior only - White)
- TF24H Hard-wired Transformer, 110VAC to 24VAC*
- TF24P Plug-in Transformer, 110VAC to 24VAC*
- HPS High Polish Seat
- MT Wall Template
- WS Wall Sleeve (Requires Accessible Chase)
- TSC Toilet Shipping Cover
- RTH1 Wall Mounted Recessed Tissue Holder (Rear Mounted, Requires Accessible Chase)
- RTH2 Wall Mounted Recessed Tissue Holder (Front Mounted, 4-1/2" Depth)
- Other _____
- Other _____

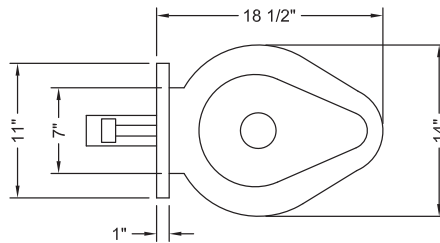
7.) Electronic Controls* (Must Use Electronic Flush Valve):

- WUFC-4000 Pneutronic WMSII
- WUCC-3010 (Select WUCC-3010 Control if pairing a Toilet with a Lavatory or if the Toilet is selected with an (ET4) overflow option)

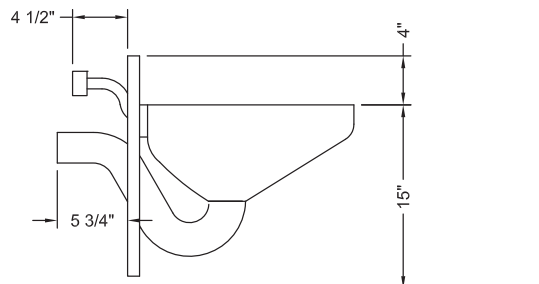
*(Req. 110V power through ground fault interrupter (GFCI) receptacle)

Approved For Manufacturing By: _____ Date: _____ Company: _____
 Wall Thickness: _____ Wall Type: _____

VERIFY ALL DIMENSIONS WITH FACTORY PRIOR TO ROUGH-IN
 WILLOUGHBY RESERVES THE RIGHT TO MAKE CHANGES IN DESIGN AND DIMENSIONS WITHOUT FORMAL NOTICE AND WITHOUT INCURRING OBLIGATION.



PLAN VIEW



SIDE VIEW

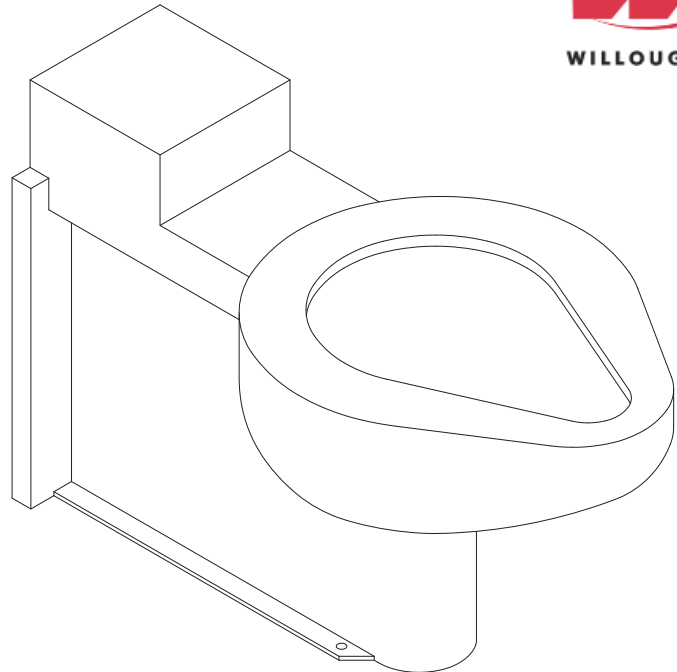
1.6 GPF VERSION SHOWN,
 3.5 AND 1.28 MAY VARY
 IN SIZE.

visit our website at www.willoughby-ind.com
 5105 West 78th Street • Indianapolis, IN. 46268
 (317) 875-0830 • Fax: (317) 875-0837 • (800) 428-4065



MADE IN THE U.S.A.

ETW-1490-FM Wall Outlet Floor Mounted Blowout Series Water Closet



IN COMPLIANCE
WITH A.D.A. 2010

* USE "HC" SUFFIX FOR
18" A.F.F. SEAT HEIGHT

(1.6 GPF UNIT W/ 15" A.F.F.
SEAT HEIGHT* SHOWN)
(Unit may be shown with optional features)

To specify fixture and accessories, use the Model Number and Options page.

Example: To specify a Wall Outlet, Floor Mounted, Blowout Series Toilet with back spud, standard 15" seat height, 1.6 GPF, toilet waste extension, 3" PVC waste connection, hydraulic flush valve, flush valve connection, high polish seat, wall sleeve, and toilet shipping cover

Use the following Willoughby Model Number:

ETW-1490-FM-BS-1.6-TWE-TWC3P-FV-FVT-HPS-WS-TSC

Recommended Specifications

Wall Outlet, Floor Mounted, Blowout Series Toilet shall be:
Willoughby Model No. **ETW-1490-FM**
(Select from model number and options list on next page)

Fixture shall be fabricated from 14 gauge, type 304 stainless steel.
The construction shall be all welded, with exposed stainless surfaces polished to a #4 satin finish.

Standard toilet shall include:

- Elongated toilet bowl with contoured seat
- Integral crevice-free self-draining flushing rim with positive afterfill
- Fully enclosed 2-1/2" O.D. trap which shall maintain a minimum 2" seal and pass a 2-1/8" ball
- Bead blast finish bowl interior

Toilet shall be blowout type, requiring 35 PSI minimum flushing pressure. Model shall meet the requirements of ASME A112.19.3/CSA B45.4.

Fixture shall withstand loadings of 5,000 lbs. without permanent damage.

Anchoring shall be by standard 6-point system (4 in the wall and 2 in the floor): threaded rods, nuts and washers shall be furnished for walls up to 8" thick. Floor anchoring by others.

Unit shall require chase area for installation and maintenance.

On back to back fixture installations, do not use standard cross type waste fitting: cross flow may result due to blowout jet action. Use sanitary or offset type waste fittings.

Note: For HET 1.28 GPF, unit will pass a 2" ball.

visit our website at www.willoughby-ind.com

5105 West 78th Street • Indianapolis, IN. 46268
(317) 875-0830 • Fax: (317) 875-0837 • (800) 428-4065



MADE IN THE U.S.A.

MODEL NUMBER AND OPTIONS:

1.) Base Model Number:

ETW-1490-FM Wall Outlet, Floor Mounted, Blowout Series Toilet

2.) Inlet Location:

BS Back Spud
 TS Top Spud

3.) Toilet Seat Height:

15" Seat Height (Standard)
 HC 18" Seat Height, Handicap-ADA Compliant

4.) Flush Valve GPF (Must Specify):

1.28 GPF HET
 1.6 GPF ULF (Standard)
 3.5 GPF (3" waste tube required)

5.) Toilet Waste:

TWE Toilet Waste Extension (Standard)
 TW3 3" Clean-out for (TWE)
 TW5 4" Clean-out for (TWE)
 GWC Gasketed Waste Connection
 WO3 3" Toilet 'P' Trap (3.5 GPF Only)
 PC3 Pinned Clean-out Plug PVC-3"
 PCB3 Pinned Clean-out Plug Brass-3"
 PC4 Pinned Clean-out Plug PVC-4"
 PCB4 Pinned Clean-out Plug Brass-4"
 COH4 4" Clean-out Hook, 4" PVC Plug

6.) Waste Coupling for (TWE) Toilet Waste Extension:

TWC3P Connecting to 3" PVC
 TWC3C Connecting to 3" Cast Iron
 TWC4P Connecting to 4" PVC
 TWC4C Connecting to 4" Cast Iron

7.) Other Options:

T4 Manual Reset Toilet Overflow Preventer, Requires: (FV) Hydraulic Flush Valve and Accessible Chase
 T4A Auto Reset Toilet Overflow Preventer, Requires: (FV) Hydraulic Flush Valve and Accessible Chase
 ET4 Electronic Toilet Overflow Preventer*, Requires (EFV), Accessible Chase, & (WUCC-3010) or (WMSII) control Hydraulic Flush Valve (Includes Actuator)
 FV Hydraulic Flush Valve (Includes Actuator)
 EFV Electronic Flush Valve (Pick Control)*
 EFVP Electronic Flush Valve w/ (PZPB) Piezo Push Button (Pick Control)*
 TFE Toilet Flush Extension
 FVT Flush Valve Connection (Back Spud Only)
 ASFVC Flush Valve Cover (Ligature-resistant, Top Spud Only)
 ASFVCADA Ligature-resistant ADA Flush Valve Cover (Top Spud Only)
 AP Flush Valve Access Panel (Allows access to chase mounted flush valve from fixture side)
 HS Hinged White Plastic Seat (No Cover, not recommended for Maximum Security/Ligature-resistant use)
 DC Decorator Color (Fixture exterior only - White)
 TF24H Hard-wired Transformer, 110VAC to 24VAC*
 TF24P Plug-in Transformer, 110VAC to 24VAC*
 HPS High Polish Seat
 MT Wall Template
 WS Wall Sleeve (Requires Accessible Chase)
 TSC Toilet Shipping Cover
 RTH1 Wall Mounted Recessed Tissue Holder (Rear Mounted, Requires Accessible Chase)
 RTH2 Wall Mounted Recessed Tissue Holder (Front Mounted, 4-1/2" Depth)
 Other _____

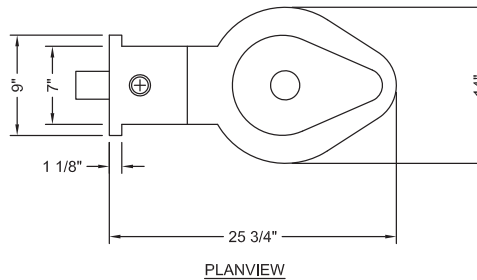
8.) Electronic Controls* (Must Use Electronic Flush Valve):

WUFC-4000 Pneutronic WMSII
 WUCC-3010 (Select WUCC-3010 Control if pairing a Toilet with a Lavatory or if the Toilet is selected with an (ET4) overflow option)

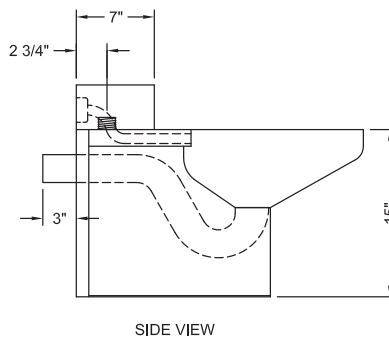
*(Req. 110V power through ground fault interrupter (GFCI) receptacle)

Approved For Manufacturing By: _____ Date: _____ Company: _____
 Wall Thickness: _____ Wall Type: _____

VERIFY ALL DIMENSIONS WITH FACTORY PRIOR TO ROUGH-IN
 WILLOUGHBY RESERVES THE RIGHT TO MAKE CHANGES IN DESIGN AND DIMENSIONS WITHOUT FORMAL NOTICE AND WITHOUT INCURRING OBLIGATION.



1.6 GPF VERSION SHOWN,
 3.5 AND 1.28 MAY VARY
 IN SIZE.



visit our website at www.willoughby-ind.com

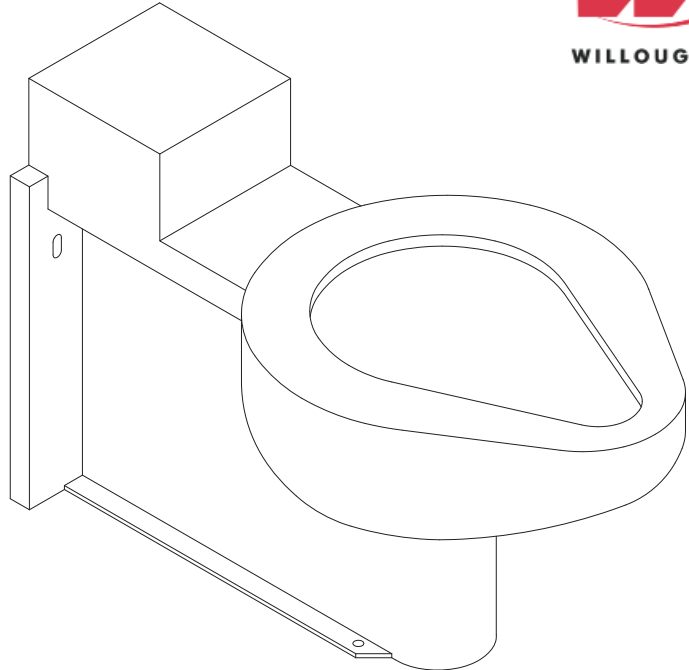
5105 West 78th Street • Indianapolis, IN. 46268

(317) 875-0830 • Fax: (317) 875-0837 • (800) 428-4065



MADE IN THE U.S.A.

ETW-1490-FM-FA Front Access Wall Outlet Floor Mounted Blowout Series Water Closet



IN COMPLIANCE
WITH A.D.A. 2010

* USE "HC" SUFFIX FOR
18" A.F.F. SEAT HEIGHT

(1.6 GPF UNIT W/ 15" A.F.F.
SEAT HEIGHT* SHOWN)
(Unit may be shown with optional features)

To specify fixture and accessories, use the Model Number and Options page.

Example: To specify a Front Access, Wall Outlet, Floor Mounted, Blowout Series Toilet with back spud, standard 15" seat height, 1.6 GPF, gasketed waste connection, hydraulic flush valve, flush valve connection, high polish seat, wall template, and toilet shipping cover

Use the following Willoughby Model Number:

ETW-1490-FM-FA-BS-1.6-GWC-FV-FVT-HPS-MT-TSC

Recommended Specifications

Front Access, Wall Outlet, Floor Mounted, Blowout Series Toilet shall be: Willoughby Model No. **ETW-1490-FM-FA**
(Select from model number and options list on next page)

Fixture shall be fabricated from 14 gauge, type 304 stainless steel. The construction shall be all welded, with exposed stainless surfaces polished to a #4 satin finish.

Standard toilet shall include:

- Elongated toilet bowl with contoured seat
- Integral crevice-free self-draining flushing rim with positive afterfill
- Fully enclosed 2-1/2" O.D. trap which shall maintain a minimum 2" seal and pass a 2-1/8" ball
- Bead blast finish bowl interior

Toilet shall be blowout type, requiring 35 PSI minimum flushing pressure. Model shall meet the requirements of ASME A112.19.3/CSA B45.4.

Fixture shall withstand loadings of 5,000 lbs. without permanent damage.

Anchoring shall be through the front and through the floor (anchoring hardware provided by others).

Unit requires no chase area for installation and maintenance unless specified with any Toilet Waste Extension options or Toilet Overflow Preventer options.

On back to back fixture installations, do not use standard cross type waste fitting: cross flow may result due to blowout jet action. Use sanitary or off-set type waste fittings.

Note: For HET 1.28 GPF, unit will pass a 2" ball.

visit our website at www.willoughby-ind.com

5105 West 78th Street • Indianapolis, IN. 46268
(317) 875-0830 • Fax: (317) 875-0837 • (800) 428-4065



MADE IN THE U.S.A.

MODEL NUMBER AND OPTIONS:

1.) Base Model Number:

- ETW-1490-FM-FA Front Access, Wall Outlet, Floor Mounted, Blowout Series Toilet

2.) Inlet Location:

- BS Back Spud
 TS Top Spud

3.) Toilet Seat Height:

- 15" Seat Height (Standard)
 HC 18" Seat Height, Handicap-ADA Compliant

4.) Flush Valve GPF (Must Specify):

- 1.28 GPF HET
 1.6 GPF ULF (Standard)
 3.5 GPF (3" waste tube required)

5.) Toilet Waste:

- GWC Gasketed Waste Connection (Standard)
 WO3 3" Toilet 'P' Trap (3.5 GPF Only)
 PC3 Pinned Clean-out Plug PVC-3"
 PCB3 Pinned Clean-out Plug Brass-3"
 PC4 Pinned Clean-out Plug PVC-4"
 PCB4 Pinned Clean-out Plug Brass-4"

6.) Other Options:

- T4 Manual Reset Toilet Overflow Preventer, Requires: (FV) Hydraulic Flush Valve and Accessible Chase
 T4A Auto Reset Toilet Overflow Preventer, Requires: (FV) Hydraulic Flush Valve and Accessible Chase
 ET4 Electronic Toilet Overflow Preventer*, Requires (EFV), Accessible Chase, & (WUCC-3010) or (WMSII) control
 FV Hydraulic Flush Valve (Includes Actuator)
 EFV Electronic Flush Valve (Pick Control)*
 EFVP Electronic Flush Valve w/ (PZPB) Piezo Push Button (Pick Control)*
 FVT Flush Valve Connection (Back Spud Only)
 ASFVC Flush Valve Cover (Ligature-resistant, Top Spud Only)
 ASFVCADA Ligature-resistant ADA Flush Valve Cover (Top Spud Only)
 AP Flush Valve Access Panel (Allows access to chase mounted flush valve from fixture side)
 HS Hinged White Plastic Seat (No Cover, not recommended for Maximum Security/Ligature-resistant use)
 DC Decorator Color (Fixture exterior only - White)
 TF24H Hard-wired Transformer, 110VAC to 24VAC*
 TF24P Plug-in Transformer, 110VAC to 24VAC*
 HPS High Polish Seat
 MT Wall Template
 TSC Toilet Shipping Cover
 RTH1 Wall Mounted Recessed Tissue Holder (Rear Mounted, Requires Accessible Chase)
 RTH2 Wall Mounted Recessed Tissue Holder (Front Mounted, 4-1/2" Depth)
 Other _____

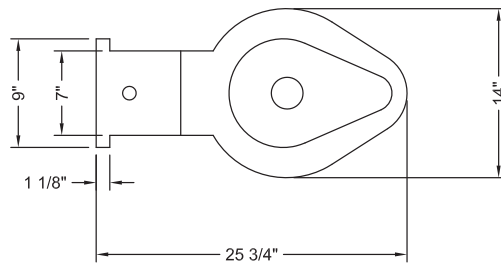
7.) Electronic Controls* (Must Use Electronic Flush Valve):

- WUFC-4000 Pneutronic WMSII
 WUCC-3010 (Select WUCC-3010 Control if pairing a Toilet with a Lavatory or if the Toilet is selected with an (ET4) overflow option)

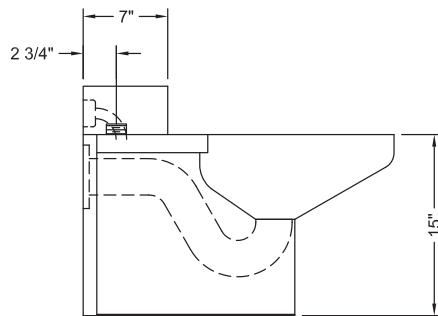
*(Req. 110V power through ground fault interrupter (GFCI) receptacle)

Approved For Manufacturing By: _____ Date: _____ Company: _____
 Wall Thickness: _____ Wall Type: _____

VERIFY ALL DIMENSIONS WITH FACTORY PRIOR TO ROUGH-IN
 WILLOUGHBY RESERVES THE RIGHT TO MAKE CHANGES IN DESIGN AND DIMENSIONS WITHOUT FORMAL NOTICE AND WITHOUT INCURRING OBLIGATION.



TOP VIEW



SIDE VIEW

1.6 GPF VERSION SHOWN,
 3.5 AND 1.28 MAY VARY
 IN SIZE.

visit our website at www.willoughby-ind.com
 5105 West 78th Street • Indianapolis, IN. 46268
 (317) 875-0830 • Fax: (317) 875-0837 • (800) 428-4065



MADE IN THE U.S.A.

ETW-1490-OF Wall Outlet Off Floor Mounted Blowout Series Water Closet



IN COMPLIANCE
WITH A.D.A. 2010

* IF MOUNTING WITH
SEAT HEIGHT BETWEEN
17"-19" A.F.F.

(1.6 GPF UNIT SHOWN)

(Unit may be shown with optional features)

To specify fixture and accessories, use the Model Number and Options page.

Example: To specify a Wall Outlet, Off Floor Mounted, Blowout Series Toilet with back spud, 1.6 GPF, toilet waste extension, 3" PVC waste coupling, hydraulic flush valve, flush valve connection, high polish seat, wall sleeve, and toilet shipping cover

Use the following Willoughby Model Number:

ETW-1490-OF-BS-1.6-TWE-TWC3P-FV-FVT-HPS-WS-TSC

Recommended Specifications

Wall Outlet, Off Floor Mounted, Blowout Series Toilet shall be:
Willoughby Model No. **ETW-1490-OF**
(Select from model number and options list on next page)

Fixture shall be fabricated from 14 gauge, type 304 stainless steel.
The construction shall be all welded, with exposed stainless surfaces
polished to a #4 satin finish.

Standard toilet shall include:

- Elongated toilet bowl with contoured seat
- Integral crevice-free self-draining flushing rim with positive afterfill
- Fully enclosed 2-1/2" O.D. trap which shall maintain a minimum
2" seal and pass a 2-1/8" ball
- Bead blast finish bowl interior

Toilet shall be blowout type, requiring 35 PSI minimum flushing
pressure. Model shall meet the requirements of ASME A112.19.3/
CSA B45.4.

Fixture shall withstand loadings of 5,000 lbs. without
permanent damage.

Anchoring shall be by standard 4-point system:
threaded rods, nuts and washers shall be furnished for
walls up to 8" thick.

Unit shall require chase area for installation and
maintenance.

***On back to back fixture installations, do not use
standard cross type waste fitting: cross flow may
result due to blowout jet action. Use sanitary or off-
set type waste fittings.***

Note: For HET 1.28 GPF, unit will pass a 2" ball.

visit our website at www.willoughby-ind.com

5105 West 78th Street • Indianapolis, IN. 46268

(317) 875-0830 • Fax: (317) 875-0837 • (800) 428-4065



MADE IN THE U.S.A.

MODEL NUMBER AND OPTIONS:

1.) Base Model Number:

ETW-1490-OF Wall Outlet, Off Floor Mounted, Blowout Series Toilet

2.) Inlet Location:

BS Back Spud
 TS Top Spud

3.) Flush Valve GPF (Must Specify):

1.28 GPF HET
 1.6 GPF ULF (Standard)
 3.5 GPF (3" waste tube required)

4.) Toilet Waste:

TWE Toilet Waste Extension (Standard)
 TW3 3" Clean-out for (TWE)
 TW5 4" Clean-out for (TWE)
 GWC Gasketed Waste Connection
 WO3 3" Toilet 'P' Trap (3.5 GPF Only)
 PC3 Pinned Clean-out Plug PVC-3"
 PCB3 Pinned Clean-out Plug Brass-3"
 PC4 Pinned Clean-out Plug PVC-4"
 PCB4 Pinned Clean-out Plug Brass-4"
 COH4 4" Clean-out Hook, 4" PVC Plug

5.) Waste Coupling for (TWE) Toilet Waste Extension:

TWC3P Connecting to 3" PVC
 TWC3C Connecting to 3" Cast Iron
 TWC4P Connecting to 4" PVC
 TWC4C Connecting to 4" Cast Iron

6.) Other Options:

T4 Manual Reset Toilet Overflow Preventer, Requires: (FV) Hydraulic Flush Valve and Accessible Chase
 T4A Auto Reset Toilet Overflow Preventer, Requires: (FV) Hydraulic Flush Valve and Accessible Chase
 ET4 Electronic Toilet Overflow Preventer*, Requires (EFV), Accessible Chase, & (WUCC-3010) or (WMSII) control
 FV Hydraulic Flush Valve (Includes Actuator)
 EFV Electronic Flush Valve (Pick Control)*
 EFVP Electronic Flush Valve w/ (PZPB) Piezo Push Button (Pick Control)*
 TFE Toilet Flush Extension
 FVT Flush Valve Connection (Back Spud Only)
 ASFVC Flush Valve Cover (Ligature-resistant, Top Spud Only)
 ASFVCADA Ligature-resistant ADA Flush Valve Cover (Top Spud Only)
 AP Flush Valve Access Panel (Allows access to chase mounted flush valve from fixture side)
 HS Hinged White Plastic Seat (No Cover, not recommended for Maximum Security/Ligature-resistant use)
 DC Decorator Color (Fixture exterior only - White)
 TF24H Hard-wired Transformer, 110VAC to 24VAC*
 TF24P Plug-in Transformer, 110VAC to 24VAC*
 HPS High Polish Seat
 MT Wall Template
 WS Wall Sleeve (Requires Accessible Chase)
 TSC Toilet Shipping Cover
 RTH1 Wall Mounted Recessed Tissue Holder (Rear Mounted, Requires Accessible Chase)
 RTH2 Wall Mounted Recessed Tissue Holder (Front Mounted, 4-1/2" Depth)
 Other _____

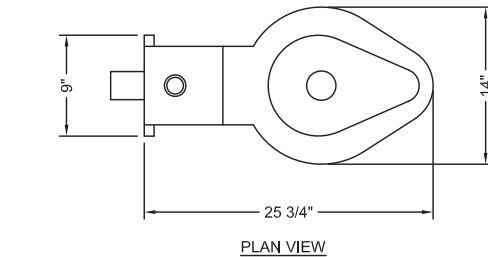
7.) Electronic Controls* (Must Use Electronic Flush Valve):

WUFC-4000 Pneutronic WMSII
 WUCC-3010 (Select WUCC-3010 Control if pairing a Toilet with a Lavatory or if the Toilet is selected with an (ET4) overflow option)

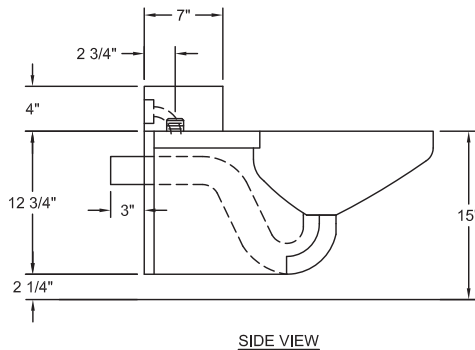
*(Req. 110V power through ground fault interrupter (GFCI) receptacle)

Approved For Manufacturing By: _____ Date: _____ Company: _____
 Wall Thickness: _____ Wall Type: _____

VERIFY ALL DIMENSIONS WITH FACTORY PRIOR TO ROUGH-IN
 WILLOUGHBY RESERVES THE RIGHT TO MAKE CHANGES IN DESIGN AND DIMENSIONS WITHOUT FORMAL NOTICE AND WITHOUT INCURRING OBLIGATION.



1.6 GPF VERSION SHOWN,
3.5 AND 1.28 MAY VARY
IN SIZE.

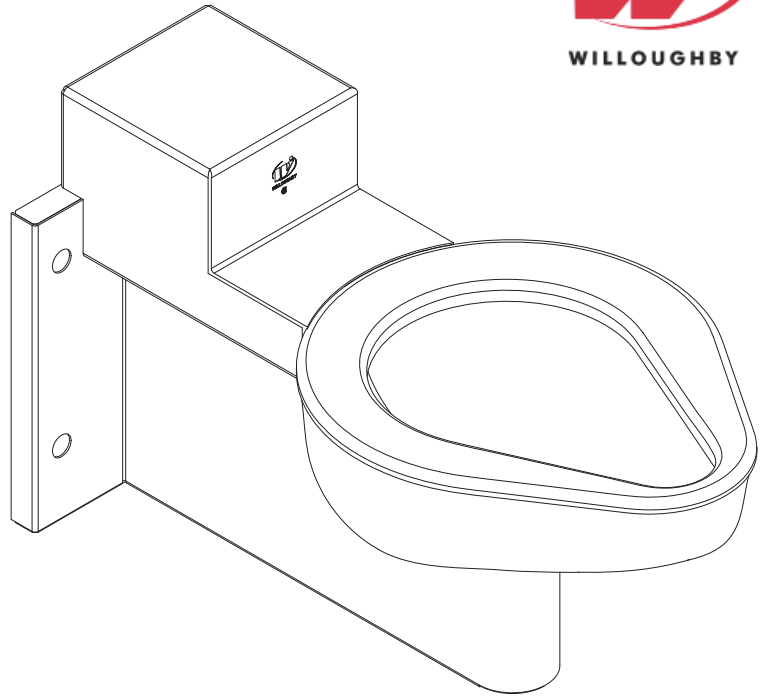


visit our website at www.willoughby-ind.com
 5105 West 78th Street • Indianapolis, IN. 46268
 (317) 875-0830 • Fax: (317) 875-0837 • (800) 428-4065



MADE IN THE U.S.A.

ETWS-1490-CM Wall Outlet Carrier Mounted (4-bolt) Siphon Jet Series Water Closet



IN COMPLIANCE
WITH A.D.A. 2010

* IF MOUNTING WITH
SEAT HEIGHT BETWEEN
17"-19" A.F.F.

(1.6 GPF UNIT SHOWN)

(Unit may be shown with optional features)

To specify fixture and accessories, use the Model Number and Options page.

Example: To specify a Wall Outlet, Carrier Mounted (4-bolt) Siphon Jet Toilet with back spud, 1.6 GPF, gas-ketted waste connection, hydraulic flush valve, flush valve connection, high polish seat, and toilet shipping cover

Use the following Willoughby Model Number:

ETWS-1490-CM-BS-1.6-GWC-FV-FVT-HPS-TSC

Recommended Specifications

Wall Outlet, Carrier Mounted (4-bolt) Siphon Jet Toilet shall be:
Willoughby Model No. **ETWS-1490-CM**
(Select from model number and options list on next page)

Fixture shall be fabricated from 14 gauge, type 304 stainless steel.
The construction shall be all welded, with exposed stainless surfaces
polished to a #4 satin finish.

Standard toilet shall include:

- Elongated toilet bowl with contoured seat
- Integral crevice-free self-draining flushing rim with positive afterfill
- Fully enclosed 2-1/2" O.D. trap which shall maintain a minimum 2" seal and pass a 2-1/8" ball
- Bead blast finish bowl interior

Toilet shall be siphon jet type, requiring 35 PSI minimum flushing pressure. Model shall meet the requirements of ASME A112.19.3/CSA B45.4.

Fixture shall withstand loadings of 5,000 lbs. without permanent damage.

Anchoring shall be by standard 4-bolt siphon jet carrier. (Carrier and fasteners by others).

Unit requires no chase area for installation and maintenance unless specified with any Toilet Waste Extension options or Toilet Overflow Preventer options.

On back to back fixture installations, do not use standard cross type waste fitting: cross flow may result due to blowout jet action. Use sanitary or off-set type waste fittings.

Note: For HET 1.28 GPF, unit will pass a 2" ball.

visit our website at www.willoughby-ind.com

5105 West 78th Street • Indianapolis, IN. 46268

(317) 875-0830 • Fax: (317) 875-0837 • (800) 428-4065



MADE IN THE U.S.A.

MODEL NUMBER AND OPTIONS:

1.) Base Model Number:

- ETWS-1490-CM Wall Outlet, Carrier Mounted (4-bolt) Siphon Jet Toilet

2.) Inlet Location:

- BS Back Spud
 TS Top Spud

3.) Flush Valve GPF (Must Specify):

- 1.28 GPF HET
 1.6 GPF ULF (Standard)
 3.5 GPF (3" waste tube required)

4.) Toilet Waste:

- GWC Gasketed Waste Connection (Standard)

5.) Other Options:

- T4 Manual Reset Toilet Overflow Preventer, Requires: (FV) Hydraulic Flush Valve and Accessible Chase
 T4A Auto Reset Toilet Overflow Preventer, Requires: (FV) Hydraulic Flush Valve and Accessible Chase
 ET4 Electronic Toilet Overflow Preventer*, Requires (EFV), Accessible Chase, & (WUCC-3010) or (WMSII) control
 FV Hydraulic Flush Valve (Includes Actuator)
 EFV Electronic Flush Valve (Pick Control)*
 EFVP Electronic Flush Valve w/ (PZPB) Piezo Push Button (Pick Control)*
 FVT Flush Valve Connection (Back Spud Only)
 ASFVC Flush Valve Cover (Ligature-resistant, Top Spud Only)
 ASFVCADA Ligature-resistant ADA Flush Valve Cover (Top Spud Only)
 AP Flush Valve Access Panel (Allows access to chase-mounted flush valve from fixture side)
 HS Hinged White Plastic Seat (No Cover, not recommended for Maximum Security/Ligature-resistant use)
 DC Decorator Color (Fixture exterior only - White)
 TF24H Hard-wired Transformer, 110VAC to 24VAC*
 TF24P Plug-in Transformer, 110VAC to 24VAC*
 HPS High Polish Seat
 TSC Toilet Shipping Cover
 RTH1 Wall Mounted Recessed Tissue Holder (Rear Mounted, Requires Accessible Chase)
 RTH2 Wall Mounted Recessed Tissue Holder (Front Mounted, 4-1/2" Depth)
 Other _____
 Other _____

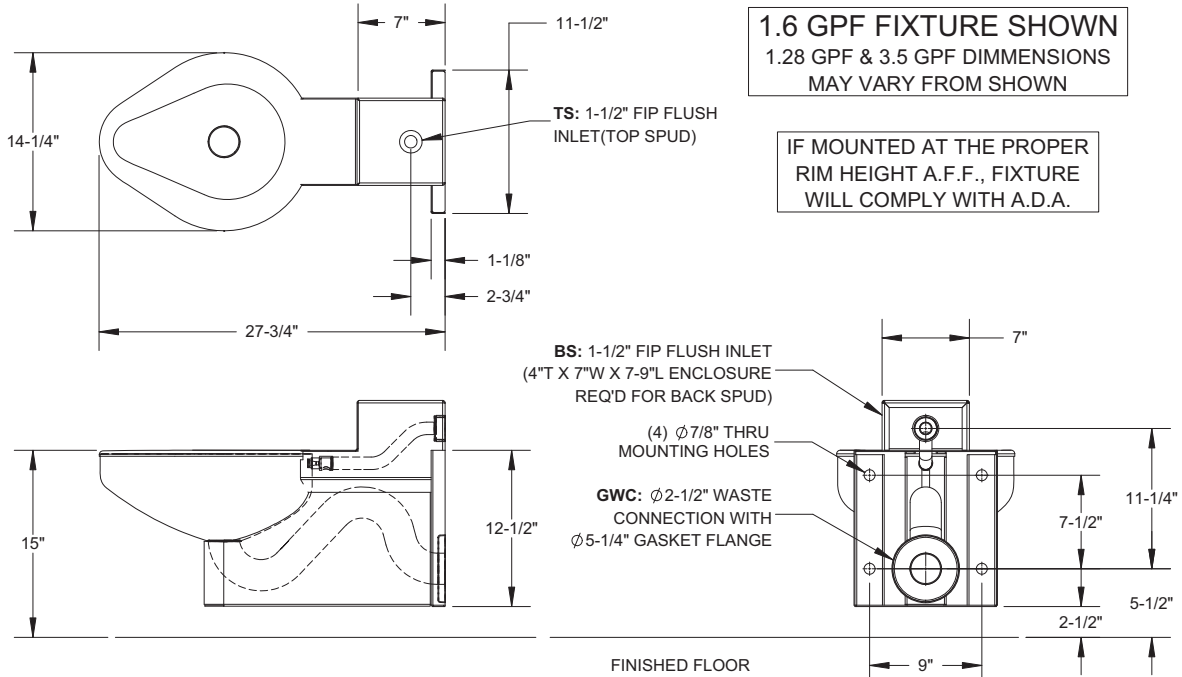
6.) Electronic Controls* (Must Use Electronic Flush Valve):

- WUFC-4000 Pneumatic WMSII
 WUCC-3010 (Select WUCC-3010 Control if pairing a Toilet with a Lavatory or if the Toilet is selected with an (ET4) overflow option)

*(Req. 110V power through ground fault interrupter (GFCI) receptacle)

Approved For Manufacturing By: _____ Date: _____ Company: _____
 Wall Thickness: _____ Wall Type: _____

VERIFY ALL DIMENSIONS WITH FACTORY PRIOR TO ROUGH-IN
 WILLOUGHBY RESERVES THE RIGHT TO MAKE CHANGES IN DESIGN AND DIMENSIONS WITHOUT FORMAL NOTICE AND WITHOUT INCURRING OBLIGATION.

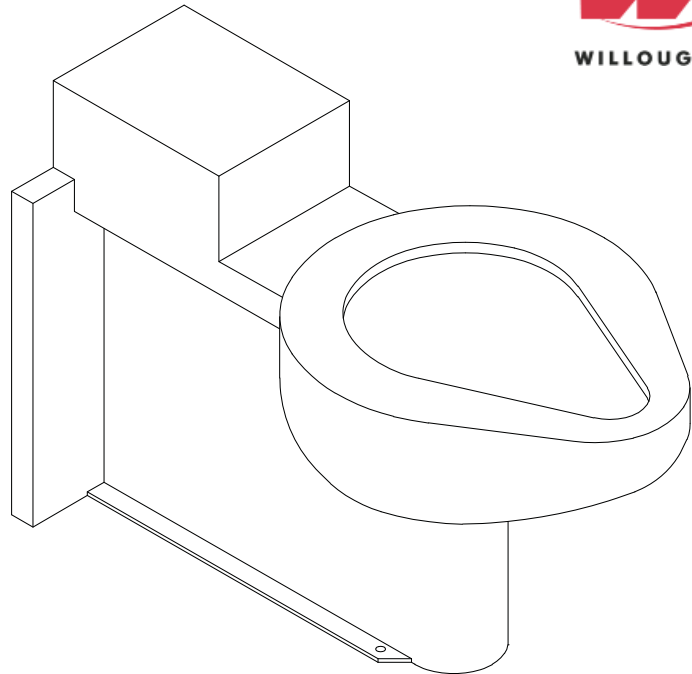


visit our website at www.willoughby-ind.com
 5105 West 78th Street • Indianapolis, IN. 46268
 (317) 875-0830 • Fax: (317) 875-0837 • (800) 428-4065



MADE IN THE U.S.A.

ETWS-1490-FM Wall Outlet Floor Mounted Siphon Jet Series Water Closet



IN COMPLIANCE
WITH A.D.A. 2010

* USE "HC" SUFFIX FOR
18" A.F.F. SEAT HEIGHT

(1.6 GPF UNIT W/ 15" A.F.F.
SEAT HEIGHT* SHOWN)
(Unit may be shown with optional features)

To specify fixture and accessories, use the Model Number and Options page.

Example: To specify a Wall Outlet, Floor Mounted, Siphon Jet Series Toilet with back spud, standard 15" seat height, 1.6 GPF, toilet waste extension, 3" PVC waste connection, hydraulic flush valve, flush valve connection, high polish seat, wall sleeve, and toilet shipping cover

Use the following Willoughby Model Number:
ETWS-1490-FM-BS-1.6-TWE-TWC3P-FV-FVT-HPS-WS-TSC

Recommended Specifications

Wall Outlet, Floor Mounted, Siphon Jet Series Toilet shall be:
Willoughby Model No. **ETWS-1490-FM**
(Select from model number and options list on next page)

Fixture shall be fabricated from 14 gauge, type 304 stainless steel.
The construction shall be all welded, with exposed stainless surfaces polished to a #4 satin finish.

Standard toilet shall include:

- Elongated toilet bowl with contoured seat
- Integral crevice-free self-draining flushing rim with positive afterfill
- Fully enclosed 2-1/2" O.D. trap which shall maintain a minimum 2" seal and pass a 2-1/8" ball
- Bead blast finish bowl interior

Toilet shall be siphon jet type, requiring 35 PSI minimum flushing pressure. Model shall meet the requirements of ASME A112.19.3/CSA B45.4.

Fixture shall withstand loadings of 5,000 lbs. without permanent damage.

Anchoring shall be by standard 6-point system (4 in the wall and 2 in the floor): threaded rods, nuts and washers shall be furnished for walls up to 8" thick. Floor anchoring hardware by others.

Unit shall require chase area for installation and maintenance.

On back to back fixture installations, do not use standard cross type waste fitting: cross flow may result due to blowout jet action. Use sanitary or off-set type waste fittings.

Note: For HET 1.28 GPF, unit will pass a 2" ball.

visit our website at www.willoughby-ind.com

5105 West 78th Street • Indianapolis, IN. 46268
(317) 875-0830 • Fax: (317) 875-0837 • (800) 428-4065



MADE IN THE U.S.A.

MODEL NUMBER AND OPTIONS:

1.) Base Model Number:

ETWS-1490-FM Wall Outlet, Floor Mounted, Siphon Jet Series Toilet

2.) Inlet Location:

BS Back Spud
 TS Top Spud

3.) Toilet Seat Height:

15" Seat Height (Standard)
 HC 18" Seat Height, Handicap-ADA Compliant

4.) Flush Valve GPF (Must Specify):

1.28 GPF HET
 1.6 GPF ULF (Standard)
 3.5 GPF (3" waste tube required)

5.) Toilet Waste:

TWE Toilet Waste Extension (Standard)
 TW3 3" Clean-out for (TWE)
 TW5 4" Clean-out for (TWE)
 GWC Gasketed Waste Connection
 WO3 3" Toilet 'P' Trap (3.5 GPF Only)
 PC3 Pinned Clean-out Plug PVC-3"
 PCB3 Pinned Clean-out Plug Brass-3"
 PC4 Pinned Clean-out Plug PVC-4"
 PCB4 Pinned Clean-out Plug Brass-4"
 COH4 4" Clean-out Hook, 4" PVC Plug

6.) Waste Coupling for (TWE) Toilet Waste Extension:

TWC3P Connecting to 3" PVC
 TWC3C Connecting to 3" Cast Iron
 TWC4P Connecting to 4" PVC
 TWC4C Connecting to 4" Cast Iron

7.) Other Options:

T4 Manual Reset Toilet Overflow Preventer, Requires: (FV) Hydraulic Flush Valve and Accessible Chase
 T4A Auto Reset Toilet Overflow Preventer, Requires: (FV) Hydraulic Flush Valve and Accessible Chase
 ET4 Electronic Toilet Overflow Preventer*, Requires (EFV), Accessible Chase, & (WUCC-3010) or (WMSII) control
 FV Hydraulic Flush Valve (Includes Actuator)
 EFV Electronic Flush Valve (Pick Control)*
 EFVP Electronic Flush Valve w/ (PZPB) Piezo Push Button (Pick Control)*
 TFE Toilet Flush Extension
 FVT Flush Valve Connection (Back Spud Only)
 ASFVC Flush Valve Cover (Ligature-resistant, Top Spud Only)
 ASFVCADA Ligature-resistant ADA Flush Valve Cover (Top Spud Only)
 AP Flush Valve Access Panel (Allows access to chase mounted flush valve from fixture side)
 HS Hinged White Plastic Seat (No Cover, not recommended for Maximum Security/Ligature-resistant use)
 DC Decorator Color (Fixture exterior only - White)
 TF24H Hard-wired Transformer, 110VAC to 24VAC*
 TF24P Plug-in Transformer, 110VAC to 24VAC*
 HPS High Polish Seat
 MT Wall Template
 WS Wall Sleeve (Requires Accessible Chase)
 TSC Toilet Shipping Cover
 RTH1 Wall Mounted Recessed Tissue Holder (Rear Mounted, Requires Accessible Chase)
 RTH2 Wall Mounted Recessed Tissue Holder (Front Mounted, 4-1/2" Depth)
 Other _____

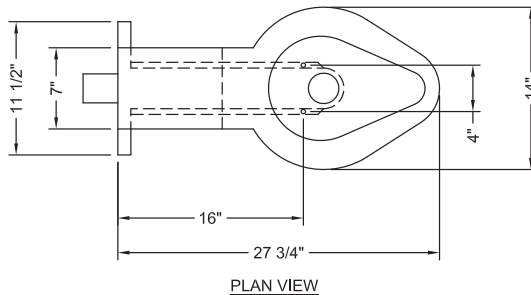
8.) Electronic Controls* (Must Use Electronic Flush Valve):

WUFC-4000 Pneutronic WMSII
 WUCC-3010 (Select WUCC-3010 Control if pairing a Toilet with a Lavatory or if the Toilet is selected with an (ET4) overflow option)

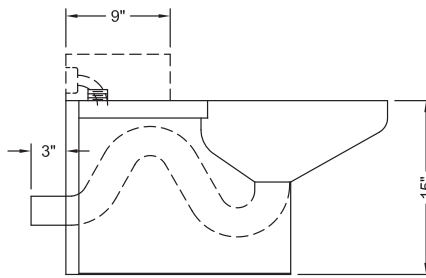
*(Req. 110V power through ground fault interrupter (GFCI) receptacle)

Approved For Manufacturing By: _____ Date: _____ Company: _____
 Wall Thickness: _____ Wall Type: _____

VERIFY ALL DIMENSIONS WITH FACTORY PRIOR TO ROUGH-IN
 WILLOUGHBY RESERVES THE RIGHT TO MAKE CHANGES IN DESIGN AND DIMENSIONS WITHOUT FORMAL NOTICE AND WITHOUT INCURRING OBLIGATION.



1.6 GPF VERSION SHOWN,
 3.5 AND 1.28 MAY VARY
 IN SIZE.

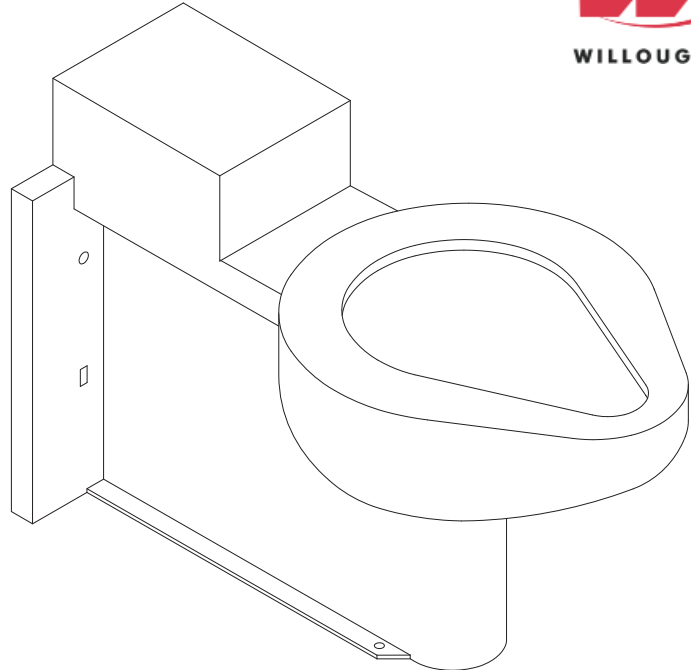


visit our website at www.willoughby-ind.com
 5105 West 78th Street • Indianapolis, IN. 46268
 (317) 875-0830 • Fax: (317) 875-0837 • (800) 428-4065



MADE IN THE U.S.A.

ETWS-1490-FM-FA Front Access Wall Outlet Floor Mounted Siphon Jet Series Water Closet



IN COMPLIANCE
WITH A.D.A. 2010

* USE "HC" SUFFIX FOR
18" A.F.F. SEAT HEIGHT

(1.6 GPF UNIT W/ 15" A.F.F.
SEAT HEIGHT* SHOWN)
(Unit may be shown with optional features)

To specify fixture and accessories, use the Model Number and Options page.

Example: To specify a Front Access, Wall Outlet, Floor Mounted Siphon Jet Series Toilet with back spud, standard 15" seat height, 1.6 GPF, gasketed waste connection, hydraulic flush valve, flush valve connection, high polish seat, and toilet shipping cover

Use the following Willoughby Model Number:
ETWS-1490-FM-FA-BS-1.6-GWC-FV-FVT-HPS-TSC

Recommended Specifications

Front Access, Wall Outlet, Floor Mounted Siphon Jet Series Toilet shall be: Willoughby Model No. **ETWS-1490-FM-FA**
(Select from model number and options list on next page)

Fixture shall be fabricated from 14 gauge, type 304 stainless steel. The construction shall be all welded, with exposed stainless surfaces polished to a #4 satin finish.

Standard toilet shall include:

- Elongated toilet bowl with contoured seat
- Integral crevice-free self-draining flushing rim with positive afterfill
- Fully enclosed 2-1/2" O.D. trap which shall maintain a minimum 2" seal and pass a 2-1/8" ball
- Bead blast finish bowl interior

Toilet shall be siphon jet type, requiring 35 PSI minimum flushing pressure. Model shall meet the requirements of ASME A112.19.3/CSA B45.4.

Fixture shall withstand loadings of 5,000 lbs. without permanent damage.

Anchoring shall be through the front and through the floor (anchoring hardware provided by others).

Unit requires no chase area for installation and maintenance unless specified with any Toilet Waste Extension options or Toilet Overflow Preventer options.

On back to back fixture installations, do not use standard cross type waste fitting: cross flow may result due to blowout jet action. Use sanitary or off-set type waste fittings.

Note: For HET 1.28 GPF, unit will pass a 2" ball.

visit our website at www.willoughby-ind.com

5105 West 78th Street • Indianapolis, IN. 46268
(317) 875-0830 • Fax: (317) 875-0837 • (800) 428-4065



MADE IN THE U.S.A.

MODEL NUMBER AND OPTIONS:

1.) Base Model Number:

- ETWS-1490-FM-FA Front Access, Wall Outlet, Floor Mounted
Siphon Jet Series Toilet

2.) Inlet Location:

- BS Back Spud
 TS Top Spud

3.) Toilet Seat Height:

- 15" Seat Height (Standard)
 HC 18" Seat Height, Handicap-ADA Compliant

4.) Flush Valve GPF (Must Specify):

- 1.28 GPF HET
 1.6 GPF ULF (Standard)
 3.5 GPF (3" waste tube required)

5.) Toilet Waste:

- GWC Gasketed Waste Connection (Standard)
 WO3 3" Toilet 'P' Trap (3.5 GPF Only)
 PC3 Pinned Clean-out Plug PVC-3"
 PCB3 Pinned Clean-out Plug Brass-3"
 PC4 Pinned Clean-out Plug PVC-4"
 PCB4 Pinned Clean-out Plug Brass-4"

6.) Other Options:

- T4 Manual Reset Toilet Overflow Preventer, Requires:
(FV) Hydraulic Flush Valve and Accessible Chase
- T4A Auto Reset Toilet Overflow Preventer, Requires:
(FV) Hydraulic Flush Valve and Accessible Chase
- ET4 Electronic Toilet Overflow Preventer*, Requires (EFV),
Accessible Chase, & (WUCC-3010) or (WMSII) control
- FV Hydraulic Flush Valve (Includes Actuator)
- EFV Electronic Flush Valve (Pick Control)*
- EFVP Electronic Flush Valve w/ (PZPB) Piezo Push Button (Pick Control)*
- FVT Flush Valve Connection (Back Spud Only)
- ASFVC Flush Valve Cover (Ligature-resistant, Top Spud Only)
- ASFVCADA Ligature-resistant ADA Flush Valve Cover (Top Spud Only)
- AP Flush Valve Access Panel (Allows access to chase mounted
flush valve from fixture side)
- HS Hinged White Plastic Seat (No Cover, not recommended
for Maximum Security/Ligature-resistant use)
- DC Decorator Color (Fixture exterior only - White)
- TF24H Hard-wired Transformer, 110VAC to 24VAC*
- TF24P Plug-in Transformer, 110VAC to 24VAC*
- HPS High Polish Seat
- MT Wall Template
- TSC Toilet Shipping Cover
- RTH1 Wall Mounted Recessed Tissue Holder
(Rear Mounted, Requires Accessible Chase)
- RTH2 Wall Mounted Recessed Tissue Holder
(Front Mounted, 4-1/2" Depth)
- Other _____

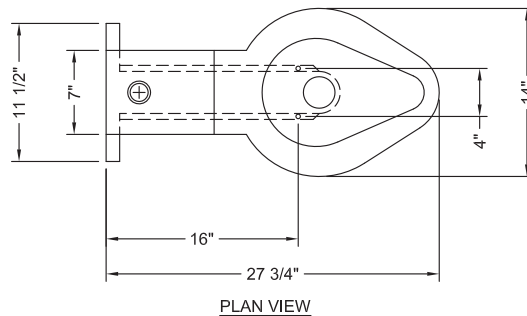
7.) Electronic Controls* (Must Use Electronic Flush Valve):

- WUFC-4000 Pneumatic WMSII
- WUCC-3010 (Select WUCC-3010 Control if pairing a Toilet with a Lavatory
or if the Toilet is selected with an (ET4) overflow option)

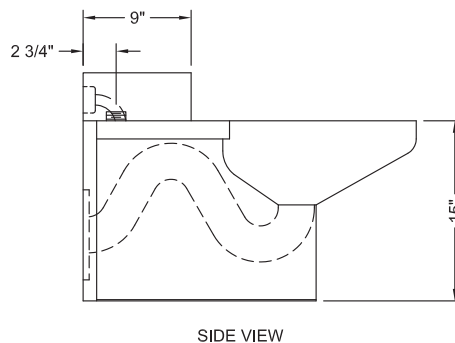
*(Req. 110V power through ground fault interrupter (GFCI) receptacle)

Approved For Manufacturing By: _____ Date: _____ Company: _____
Wall Thickness: _____ Wall Type: _____

VERIFY ALL DIMENSIONS WITH FACTORY PRIOR TO ROUGH-IN
 WILLOUGHBY RESERVES THE RIGHT TO MAKE CHANGES IN DESIGN AND
 DIMENSIONS WITHOUT FORMAL NOTICE AND WITHOUT INCURRING OBLIGATION.



1.6 GPF VERSION SHOWN,
3.5 AND 1.28 MAY VARY
IN SIZE.

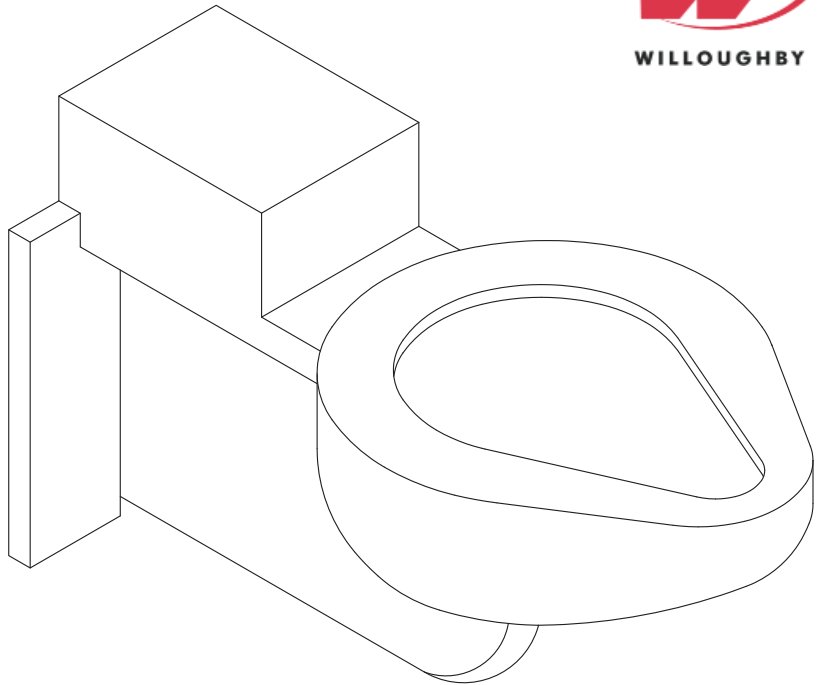


visit our website at www.willoughby-ind.com
 5105 West 78th Street • Indianapolis, IN. 46268
 (317) 875-0830 • Fax: (317) 875-0837 • (800) 428-4065



MADE IN THE U.S.A.

ETWS-1490-OF Wall Outlet Off Floor Mounted Siphon Jet Series Water Closet



IN COMPLIANCE
WITH A.D.A. 2010

* IF MOUNTING WITH
SEAT HEIGHT BETWEEN
17"-19" A.F.F.

(1.6 GPF UNIT SHOWN)

(Unit may be shown with optional features)

To specify fixture and accessories, use the Model Number and Options page.

Example: To specify a Wall Outlet, Off Floor Mounted, Siphon Jet Series Toilet with back spud, 1.6 GPF, toilet waste extension, 3" PVC waste connection, hydraulic flush valve, flush valve connection, high polish seat, wall sleeve, and toilet shipping cover

Use the following Willoughby Model Number:

ETWS-1490-OF-BS-1.6-TWE-TWC3P-FV-FVT-HPS-WS-TSC

Recommended Specifications

Wall Outlet, Off Floor Mounted, Siphon Jet Series Toilet shall be:
Willoughby Model No. **ETWS-1490-OF**
(Select from model number and options list on next page)

Fixture shall be fabricated from 14 gauge, type 304 stainless steel.
The construction shall be all welded, with exposed stainless surfaces
polished to a #4 satin finish.

Standard toilet shall include:

- Elongated toilet bowl with contoured seat
- Integral crevice-free self-draining flushing rim with positive afterfill
- Fully enclosed 2-1/2" O.D. trap which shall maintain a minimum 2" seal and pass a 2-1/8" ball
- Bead blast finish bowl interior

Toilet shall be siphon jet type, requiring 35 PSI minimum flushing pressure. Model shall meet the requirements of ASME A112.19.3/CSA B45.4.

Fixture shall withstand loadings of 5,000 lbs. without permanent damage.

Anchoring shall be by standard 4-point system: threaded rods, nuts and washers shall be furnished for walls up to 8" thick.

Unit shall require chase area for installation and maintenance.

On back to back fixture installations, do not use standard cross type waste fitting: cross flow may result due to blowout jet action. Use sanitary or off-set type waste fittings.

Note: For HET 1.28 GPF, unit will pass a 2" ball.

visit our website at www.willoughby-ind.com

5105 West 78th Street • Indianapolis, IN. 46268

(317) 875-0830 • Fax: (317) 875-0837 • (800) 428-4065



MADE IN THE U.S.A.

MODEL NUMBER AND OPTIONS:

1.) Base Model Number:

ETWS-1490-OF Wall Outlet, Off Floor Mounted, Siphon Jet Series Toilet

2.) Inlet Location:

BS Back Spud
 TS Top Spud

3.) Flush Valve GPF (Must Specify):

1.28 GPF HET
 1.6 GPF ULF (Standard)
 3.5 GPF (3" waste tube required)

4.) Toilet Waste:

TWE Toilet Waste Extension (Standard)
 TW3 3" Clean-out for (TWE)
 TW5 4" Clean-out for (TWE)
 GWC Gasketed Waste Connection
 WO3 3" Toilet 'P' Trap (3.5 GPF Only)
 PC3 Pinned Clean-out Plug PVC-3"
 PCB3 Pinned Clean-out Plug Brass-3"
 PC4 Pinned Clean-out Plug PVC-4"
 PCB4 Pinned Clean-out Plug Brass-4"
 COH4 4" Clean-out Hook, 4" PVC Plug

5.) Waste Coupling for (TWE) Toilet Waste Extension:

TWC3P Connecting to 3" PVC
 TWC3C Connecting to 3" Cast Iron
 TWC4P Connecting to 4" PVC
 TWC4C Connecting to 4" Cast Iron

6.) Other Options:

T4 Manual Reset Toilet Overflow Preventer, Requires: (FV) Hydraulic Flush Valve and Accessible Chase
 T4A Auto Reset Toilet Overflow Preventer, Requires: (FV) Hydraulic Flush Valve and Accessible Chase
 ET4 Electronic Toilet Overflow Preventer*, Requires (EFV), Accessible Chase, & (WUCC-3010) or (WMSII) control
 FV Hydraulic Flush Valve (Includes Actuator)
 EFV Electronic Flush Valve (Pick Control)*
 EFVP Electronic Flush Valve w/ (PZPB) Piezo Push Button (Pick Control)*
 TFE Toilet Flush Extension
 FVT Flush Valve Connection (Back Spud Only)
 ASFVC Flush Valve Cover (Ligature-resistant, Top Spud Only)
 ASFVCADA Ligature-resistant ADA Flush Valve Cover (Top Spud Only)
 AP Flush Valve Access Panel (Allows access to chase mounted flush valve from fixture side)
 HS Hinged White Plastic Seat (No Cover, not recommended for Maximum Security/Ligature-resistant use)
 DC Decorator Color (Fixture exterior only - White)
 TF24H Hard-wired Transformer, 110VAC to 24VAC*
 TF24P Plug-in Transformer, 110VAC to 24VAC*
 HPS High Polish Seat
 MT Wall Template
 WS Wall Sleeve (Requires Accessible Chase)
 TSC Toilet Shipping Cover
 RTH1 Wall Mounted Recessed Tissue Holder (Rear Mounted, Requires Accessible Chase)
 RTH2 Wall Mounted Recessed Tissue Holder (Front Mounted, 4-1/2" Depth)
 Other _____

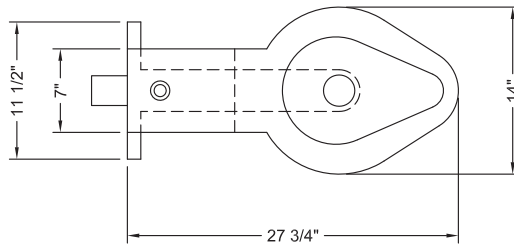
7.) Electronic Controls* (Must Use Electronic Flush Valve):

WUFC-4000 Pneutronic WMSII
 WUCC-3010 (Select WUCC-3010 Control if pairing a Toilet with a Lavatory or if the Toilet is selected with an (ET4) overflow option)

*(Req. 110V power through ground fault interrupter (GFCI) receptacle)

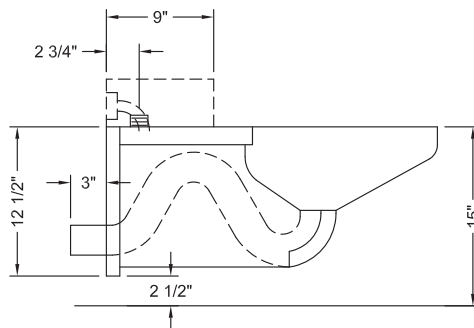
Approved For Manufacturing By: _____ Date: _____ Company: _____
 Wall Thickness: _____ Wall Type: _____

VERIFY ALL DIMENSIONS WITH FACTORY PRIOR TO ROUGH-IN
 WILLOUGHBY RESERVES THE RIGHT TO MAKE CHANGES IN DESIGN AND DIMENSIONS WITHOUT FORMAL NOTICE AND WITHOUT INCURRING OBLIGATION.



PLAN VIEW

1.6 GPF VERSION SHOWN,
 3.5 AND 1.28 MAY VARY
 IN SIZE.



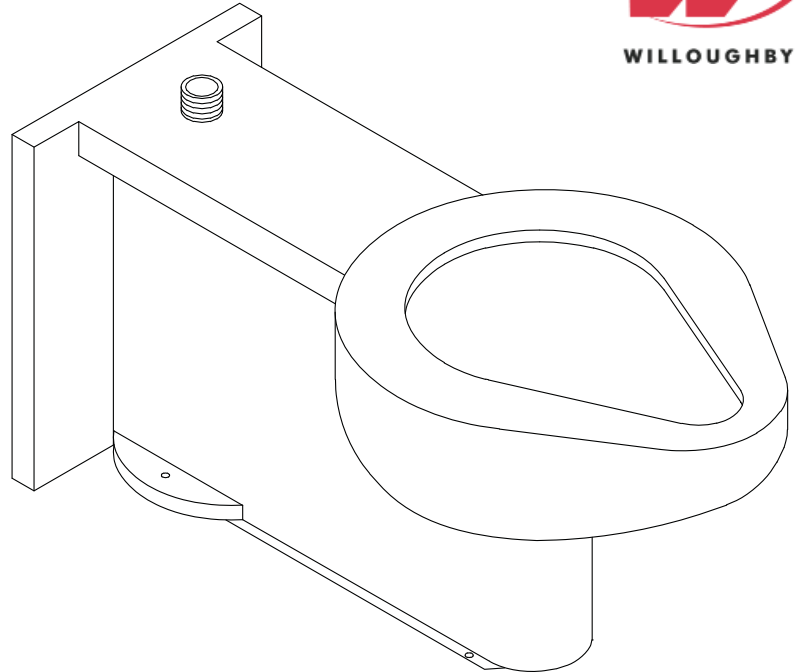
SIDE VIEW

visit our website at www.willoughby-ind.com
 5105 West 78th Street • Indianapolis, IN. 46268
 (317) 875-0830 • Fax: (317) 875-0837 • (800) 428-4065



MADE IN THE U.S.A.

ETF-1490-FM Floor Outlet Floor Mounted Siphon Jet Series Water Closet



IN COMPLIANCE
WITH A.D.A. 2010

* USE "HC" SUFFIX FOR
18" A.F.F. SEAT HEIGHT

(1.6 GPF UNIT W/ 15" A.F.F.
SEAT HEIGHT* SHOWN)
(Unit may be shown with optional features)

To specify fixture and accessories, use the Model Number and Options page.

Example: To specify an ETF-1490-FM floor mounted, floor outlet siphon jet toilet with top spud, standard 15" seat height, 1.6 GPF, standard gasketed waste connection, floor outlet waste connection, hydraulic flush valve, flush valve cover, high polish seat, wall sleeve, and toilet shipping cover

Use the following Willoughby Model Number:

ETF-1490-FM-TS-1.6-GWC-TW4-FV-FVC-HPS-WS-TSC

Recommended Specifications

Floor Outlet, Floor Mounted, Siphon Jet Series Toilet shall be:
Willoughby Model No. **ETF-1490-FM**
(Select from model number and options list on next page)

Fixture shall be fabricated from 14 gauge, type 304 stainless steel.
The construction shall be all welded, with exposed stainless surfaces
polished to a #4 satin finish.

Standard toilet shall include:

- Elongated toilet bowl with contoured seat
- Integral crevice-free self-draining flushing rim with positive afterfill
- Fully enclosed 2-1/2" O.D. trap which shall maintain a minimum 2" seal and pass a 2-1/8" ball
- Bead blast finish bowl interior

Toilet shall be siphon jet type, requiring 35 PSI minimum flushing pressure. Model shall meet the requirements of ASME A112.19.3/CSA B45.4.

Fixture shall withstand loadings of 5,000 lbs. without permanent damage.

Anchoring shall be by standard 4-point system: threaded rods, nuts and washers shall be furnished for walls up to 8" thick. Floor anchoring hardware by others.

Unit shall require chase area for installation and maintenance.

Note: For HET 1.28 GPF, unit will pass a 2" ball.

visit our website at www.willoughby-ind.com

5105 West 78th Street • Indianapolis, IN. 46268
(317) 875-0830 • Fax: (317) 875-0837 • (800) 428-4065



MADE IN THE U.S.A.

MODEL NUMBER AND OPTIONS:

1.) Base Model Number:

ETF-1490-FM Floor Outlet, Floor Mounted, Siphon Jet Series Toilet

2.) Inlet Location:

BS Back Spud
 TS Top Spud

3.) Toilet Seat Height:

15" Seat Height (Standard)
 HC 18" Seat Height, Handicap-ADA Compliant

4.) Flush Valve GPF (Must Specify):

1.28 GPF HET
 1.6 GPF ULF (Standard)
 3.5 GPF (3" waste tube required)

5.) Toilet Waste:

GWC Gasketed Waste Connection (Standard)
 TW4 Floor Outlet Waste Connection
 WO3 3" Toilet 'P' Trap (3.5 GPF Only)

6.) Other Options:

T4 Manual Reset Toilet Overflow Preventer, Requires: (FV) Hydraulic Flush Valve and Accessible Chase
 T4A Auto Reset Toilet Overflow Preventer, Requires: (FV) Hydraulic Flush Valve and Accessible Chase
 ET4 Electronic Toilet Overflow Preventer*, Requires (EFV), Accessible Chase, & (WUCC-3010) or (WMSII) control Hydraulic Flush Valve (Includes Actuator)
 FV Hydraulic Flush Valve (Includes Actuator)
 EFV Electronic Flush Valve (Pick Control)*
 EFVP Electronic Flush Valve w/ (PZPB) Piezo Push Button (Pick Control)*
 TFE Toilet Flush Extension
 FVT Flush Valve Connection (Back Spud Only)
 ASFVC Flush Valve Cover (Ligature-resistant, Top Spud Only)
 ASFVCADA Ligature-resistant ADA Flush Valve Cover (Top Spud Only)
 AP Flush Valve Access Panel (Allows access to chase mounted flush valve from fixture side)
 HS Hinged White Plastic Seat (No Cover, not recommended for Maximum Security/Ligature-resistant use)
 DC Decorator Color (Fixture exterior only - White)
 TF24H Hard-wired Transformer, 110VAC to 24VAC*
 TF24P Plug-in Transformer, 110VAC to 24VAC*
 HPS High Polish Seat
 MT Wall Template
 WS Wall Sleeve (Requires Accessible Chase)
 TSC Toilet Shipping Cover
 RTH1 Wall Mounted Recessed Tissue Holder (Rear Mounted, Requires Accessible Chase)
 RTH2 Wall Mounted Recessed Tissue Holder (Front Mounted, 4-1/2" Depth)
 Other _____

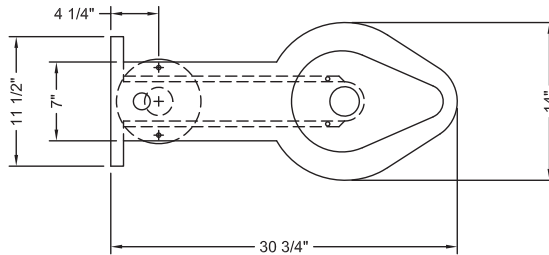
7.) Electronic Controls* (Must Use Electronic Flush Valve):

WUFC-4000 Pneutronic WMSII
 WUCC-3010 (Select WUCC-3010 Control if pairing a Toilet with a Lavatory or if the Toilet is selected with an (ET4) overflow option)

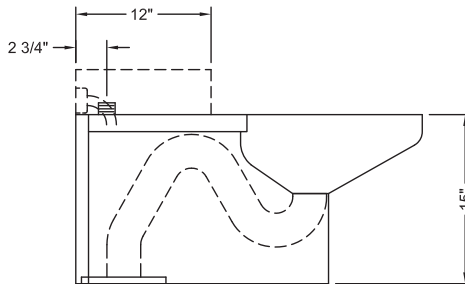
*(Req. 110V power through ground fault interrupter (GFCI) receptacle)

Approved For Manufacturing By: _____ Date: _____ Company: _____
 Wall Thickness: _____ Wall Type: _____

VERIFY ALL DIMENSIONS WITH FACTORY PRIOR TO ROUGH-IN
 WILLOUGHBY RESERVES THE RIGHT TO MAKE CHANGES IN DESIGN AND DIMENSIONS WITHOUT FORMAL NOTICE AND WITHOUT INCURRING OBLIGATION.



PLAN VIEW



SIDE VIEW

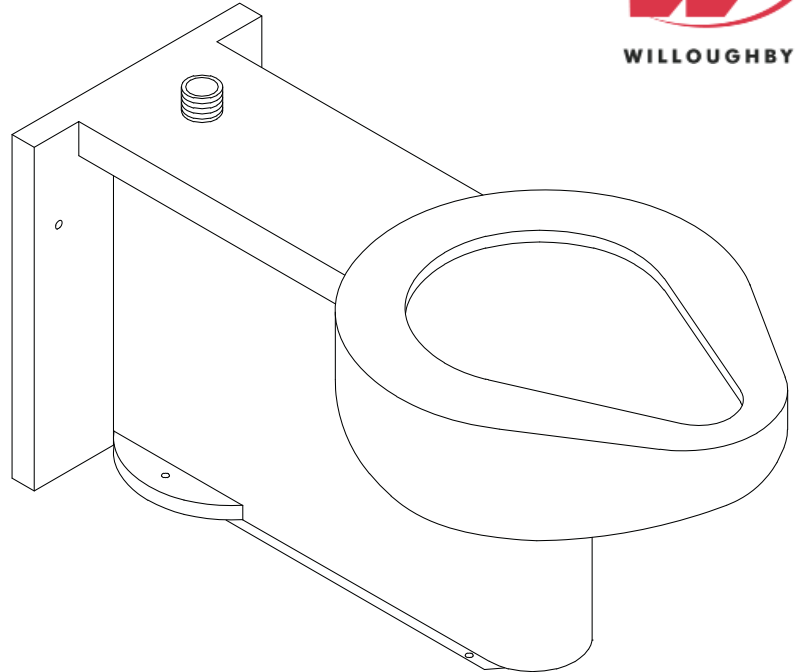
1.6 GPF VERSION SHOWN,
 3.5 AND 1.28 MAY VARY
 IN SIZE.

visit our website at www.willoughby-ind.com
 5105 West 78th Street • Indianapolis, IN. 46268
 (317) 875-0830 • Fax: (317) 875-0837 • (800) 428-4065



MADE IN THE U.S.A.

ETF-1490-FM-FA Front Access Floor Outlet Floor Mounted Siphon Jet Series Water Closet



IN COMPLIANCE
WITH A.D.A. 2010

* USE "HC" SUFFIX FOR
18" A.F.F. SEAT HEIGHT

(1.6 GPF UNIT W/ 15" A.F.F.
SEAT HEIGHT* SHOWN)
(Unit may be shown with optional features)

To specify fixture and accessories, use the Model Number and Options page.

Example: To specify a Front Access, Floor Outlet, Floor Mounted Siphon Jet Series Toilet with top spud, standard 15" seat height, 1.6 GPF, standard gasketed waste connection, floor outlet waste connection, hydraulic flush valve, flush valve cover, high polish seat, and toilet shipping cover

Use the following Willoughby Model Number:
ETF-1490-FM-FA-TS-1.6-GWC-TW4-FV-FVC-HPS-TSC

Recommended Specifications

Front Access, Floor Outlet, Floor Mounted Siphon Jet Series Toilet shall be: Willoughby Model No. **ETF-1490-FM-FA**
(Select from model number and options list on next page)

Fixture shall be fabricated from 14 gauge, type 304 stainless steel. The construction shall be all welded, with exposed stainless surfaces polished to a #4 satin finish.

Standard toilet shall include:

- Elongated toilet bowl with contoured seat
- Integral crevice-free self-draining flushing rim with positive afterfill
- Fully enclosed 2-1/2" O.D. trap which shall maintain a minimum 2" seal and pass a 2-1/8" ball
- Bead blast finish bowl interior

Toilet shall be siphon jet type, requiring 35 PSI minimum flushing pressure. Model shall meet the requirements of ASME A112.19.3/CSA B45.4.

Fixture shall withstand loadings of 5,000 lbs. without permanent damage.

Anchoring shall be through the front and through the floor (anchoring hardware provided by others).

Unit requires no chase area for installation and maintenance unless specified with any Toilet Waste Extension options or Toilet Overflow Preventer options.

Note: For HET 1.28 GPF, unit will pass a 2" ball.

visit our website at www.willoughby-ind.com

5105 West 78th Street • Indianapolis, IN. 46268
(317) 875-0830 • Fax: (317) 875-0837 • (800) 428-4065



MADE IN THE U.S.A.

MODEL NUMBER AND OPTIONS:

1.) Base Model Number:

- ETF-1490-FM-FA Front Access, Floor Outlet, Floor Mounted Siphon Jet Series Toilet

2.) Floor Outlet Rough-In:

- 4-1/4" Fixture Rough-In (Shown, Standard)
 10" 10" Fixture Rough-In
 12" 12" Fixture Rough-In (Changes Overall Fixture Length to 32-3/4")

3.) Inlet Location:

- BS Back Spud
 TS Top Spud

4.) Toilet Seat Height:

- 15" Seat Height (Standard)
 HC 18" Seat Height, Handicap-ADA Compliant

5.) Flush Valve GPF (Must Specify):

- 1.28 GPF HET
 1.6 GPF ULF (Standard)
 3.5 GPF (3" waste tube required)

6.) Toilet Waste:

- GWC Gasketed Waste Connection (Standard)
 TW4 Floor Outlet Waste Connection
 WO3 3" Toilet 'P' Trap (3.5 GPF Only)

7.) Other Options:

- T4 Manual Reset Toilet Overflow Preventer, Requires: (FV) Hydraulic Flush Valve and Accessible Chase
 T4A Auto Reset Toilet Overflow Preventer, Requires: (FV) Hydraulic Flush Valve and Accessible Chase
 ET4 Electronic Toilet Overflow Preventer*, Requires (EFV), Accessible Chase, & (WUCC-3010) or (WMSII) control Hydraulic Flush Valve (Includes Actuator)
 FV Hydraulic Flush Valve (Includes Actuator)
 EFV Electronic Flush Valve (Pick Control)*
 EFVP Electronic Flush Valve w/ (PZPB) Piezo Push Button (Pick Control)*
 FVT Flush Valve Connection (Back Spud Only)
 ASFVC Flush Valve Cover (Ligature-resistant, Top Spud Only)
 ASFVCADA Ligature-resistant ADA Flush Valve Cover (Top Spud Only)
 AP Flush Valve Access Panel (Allows access to chase mounted flush valve from fixture side)
 HS Hinged White Plastic Seat (No Cover, not recommended for Maximum Security/Ligature-resistant use)
 DC Decorator Color (Fixture exterior only - White)
 TF24H Hard-wired Transformer, 110VAC to 24VAC*
 TF24P Plug-in Transformer, 110VAC to 24VAC*
 HPS High Polish Seat
 MT Wall Template
 TSC Toilet Shipping Cover
 RTH1 Wall Mounted Recessed Tissue Holder (Rear Mounted, Requires Accessible Chase)
 RTH2 Wall Mounted Recessed Tissue Holder (Front Mounted, 4-1/2" Depth)
 Other _____
 Other _____

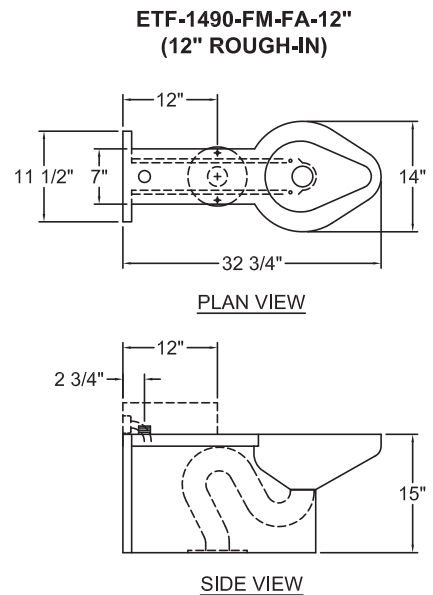
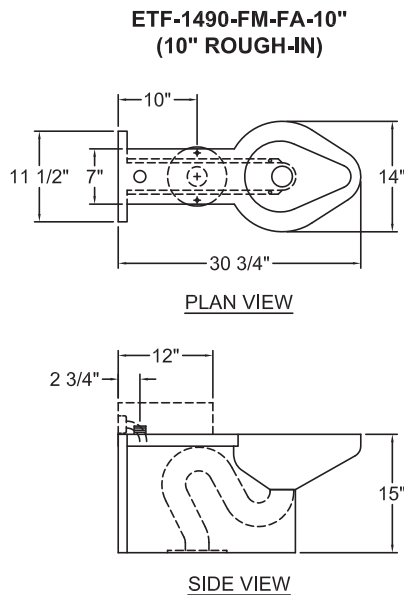
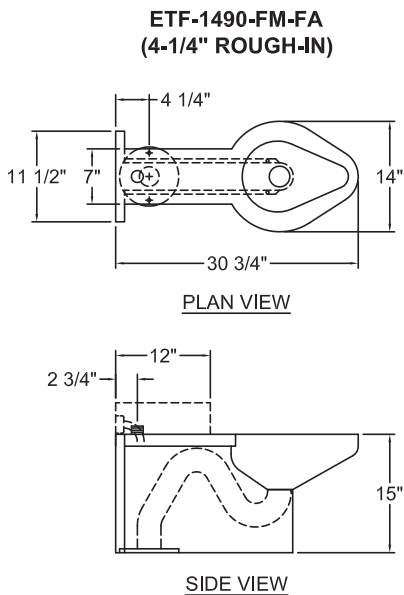
8.) Electronic Controls* (Must Use Electronic Flush Valve):

- WUFC-4000 Pneutronic WMSII
 WUCC-3010 (Select WUCC-3010 Control if pairing a Toilet with a Lavatory or if the Toilet is selected with an (ET4) overflow option)

*(Req. 110V power through ground fault interrupter (GFCI) receptacle)

Approved For Manufacturing By: _____ Date: _____ Company: _____
 Wall Thickness: _____ Wall Type: _____

VERIFY ALL DIMENSIONS WITH FACTORY PRIOR TO ROUGH-IN
 WILLOUGHBY RESERVES THE RIGHT TO MAKE CHANGES IN DESIGN AND DIMENSIONS WITHOUT FORMAL NOTICE AND WITHOUT INCURRING OBLIGATION.



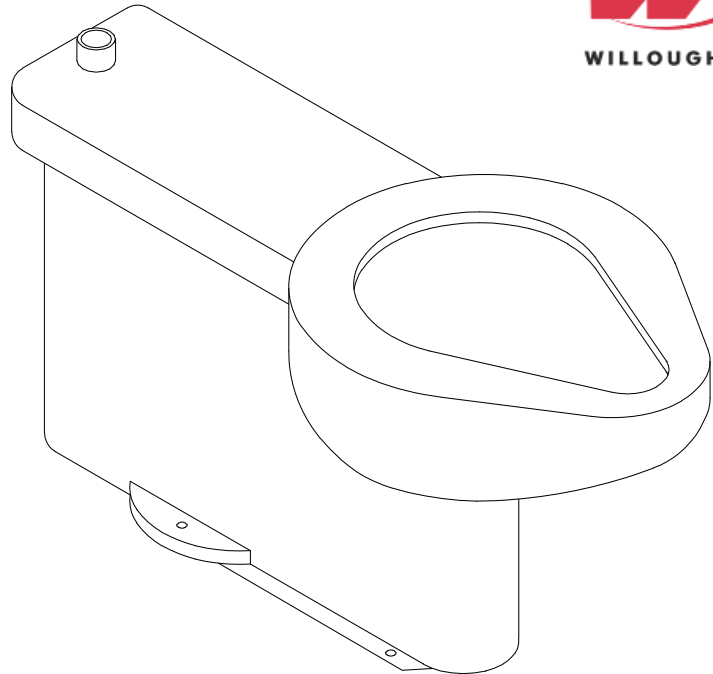
1.6 GPF VERSIONS SHOWN.
 3.5 AND 1.28 MAY VARY IN SIZE

visit our website at www.willoughby-ind.com
 5105 West 78th Street • Indianapolis, IN. 46268
 (317) 875-0830 • Fax: (317) 875-0837 • (800) 428-4065



MADE IN THE U.S.A.

ETF-1490-OW Floor Outlet Off Wall Mounted Siphon Jet Series Water Closet



IN COMPLIANCE
WITH A.D.A. 2010

* USE "HC" SUFFIX FOR
18" A.F.F. SEAT HEIGHT

(1.6 GPF UNIT W/ 15" A.F.F.
SEAT HEIGHT* SHOWN)
(Unit may be shown with optional features)

To specify fixture and accessories, use the Model Number and Options page.

Example: To specify a Floor Outlet, Off Wall Mounted, Siphon Jet Series Toilet with top spud, standard 15" seat height, 1.6 GPF, floor outlet waste connection, high polish seat, and toilet shipping cover

Use the following Willoughby Model Number:

ETF-1490-OW-TS-1.6-TW4-HPS-TSC

Recommended Specifications

Floor Outlet, Off Wall Mounted, Siphon Jet Series Toilet shall be:
Willoughby Model No. **ETF-1490-OW**
(Select from model number and options list on next page)

Fixture shall be fabricated from 14 gauge, type 304 stainless steel.
The construction shall be all welded, with exposed stainless surfaces
polished to a #4 satin finish.

Standard toilet shall include:

- Elongated toilet bowl with contoured seat
- Integral crevice-free self-draining flushing rim with positive afterfill
- Fully enclosed 2-1/2" O.D. trap which shall maintain a minimum 2" seal and pass a 2-1/8" ball
- Bead blast finish bowl interior

Toilet shall be siphon jet type, requiring 35 PSI minimum flushing pressure. Model shall meet the requirements of ASME A112.19.3/ CSA B45.4.

Fixture shall withstand loadings of 5,000 lbs. without permanent damage.

Anchoring shall be through the floor (anchoring hardware provided by others).

Unit requires no chase area for installation and maintenance.

Note: For HET 1.28 GPF, unit will pass a 2" ball.

visit our website at www.willoughby-ind.com

5105 West 78th Street • Indianapolis, IN. 46268

(317) 875-0830 • Fax: (317) 875-0837 • (800) 428-4065



MADE IN THE U.S.A.

MODEL NUMBER AND OPTIONS:

1.) Base Model Number:

ETF-1490-OW Floor Outlet, Off Wall Mounted, Siphon Jet Series Toilet

2.) Inlet Location:

TS Top Spud

3.) Toilet Seat Height:

15" Seat Height (Standard)
 HC 18" Seat Height, Handicap-ADA Compliant

4.) Flush Valve GPF (Must Specify):

1.28 GPF HET
 1.6 GPF ULF (Standard)
 3.5 GPF (3" waste tube required)

5.) Toilet Waste:

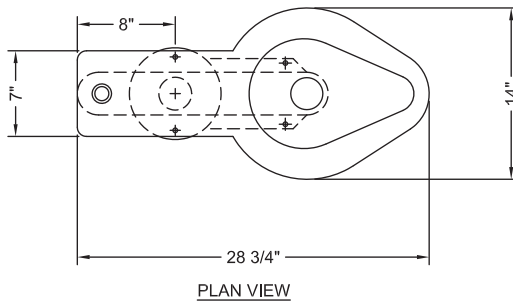
GWC Gasketed Waste Connection (Standard)
 TW4 Floor Outlet Waste Connection
 WO3 3" Toilet 'P' Trap (3.5 GPF Only)

6.) Other Options:

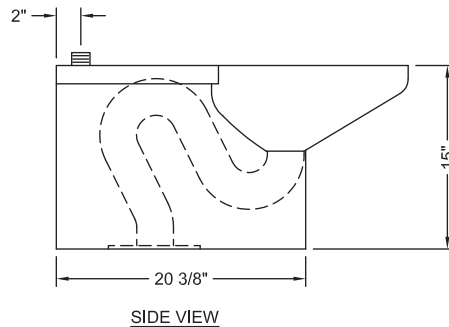
HS Hinged White Plastic Seat (No Cover, not recommended for Maximum Security/Ligature-resistant use)
 DC Decorator Color (Fixture exterior only - White)
 HPS High Polish Seat
 TSC Toilet Shipping Cover
 RTH1 Wall Mounted Recessed Tissue Holder (Rear Mounted, Requires Accessible Chase)
 RTH2 Wall Mounted Recessed Tissue Holder (Front Mounted, 4-1/2" Depth)
 Other _____
 Other _____

Approved For Manufacturing By: _____ Date: _____ Company: _____
 Wall Thickness: _____ Wall Type: _____

VERIFY ALL DIMENSIONS WITH FACTORY PRIOR TO ROUGH-IN
 WILLOUGHBY RESERVES THE RIGHT TO MAKE CHANGES IN DESIGN AND DIMENSIONS WITHOUT FORMAL NOTICE AND WITHOUT INCURRING OBLIGATION.



1.6 GPF VERSION SHOWN,
 3.5 AND 1.28 MAY VARY
 IN SIZE.

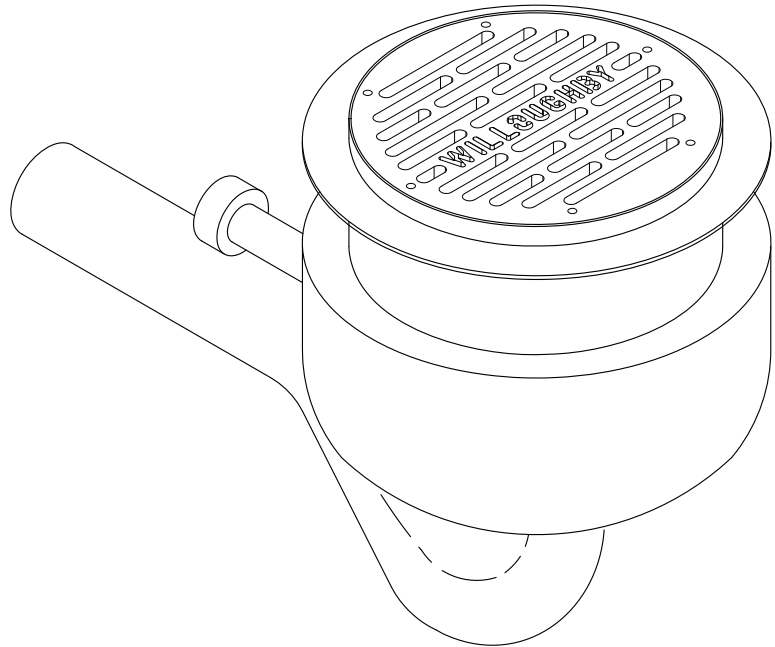


visit our website at www.willoughby-ind.com
 5105 West 78th Street • Indianapolis, IN. 46268
 (317) 875-0830 • Fax: (317) 875-0837 • (800) 428-4065



MADE IN THE U.S.A.

FD-1400 Detox Toilet



(Unit may be shown with optional features)

To specify fixture and accessories, use the Model Number and Options page.

Example: To specify an FD-1400 detox with flange, 3.5 GPF, and remote flush valve with wall box

Use the following Willoughby Model Number:

FD-1400-WF-3.5-RFVB

Recommended Specifications

Detox Toilet shall be:

Willoughby Model No. **FD-1400**

(Select from model number and options list on next page)

Fixture shall be fabricated from 14 gauge, type 304 stainless steel.

The construction shall be all welded, with exposed stainless surfaces polished to a #4 satin finish.

Standard equipment shall include:

- 14" diameter round bowl with 2" top band
- Removable 7 GA. S/S top grate for access to bowl interior
- Integral crevice free flushing rim with positive afterfill
(1" wide full perimeter flange is standard on FD-1400-WF fixture for padded cell installations)

Toilet shall be blowout type, requiring 35 PSI minimum flushing pressure. Trap shall be fully enclosed, maintain a minimum 3-1/2" seal and pass a 2-5/8" ball.

Note: For ULF 1.6 GPF, unit will pass a 2-1/8" ball.

visit our website at www.willoughby-ind.com

5105 West 78th Street • Indianapolis, IN. 46268

(317) 875-0830 • Fax: (317) 875-0837 • (800) 428-4065



MADE IN THE U.S.A.

MODEL NUMBER AND OPTIONS:

1.) Base Model Number:

FD-1400

2.) Flange:

LFL Less Flange
 WF With Flange

3.) Flush Valve GPF (Must Specify):

3.5 GPF (Standard, 3" waste tube required)
 1.6 GPF ULF

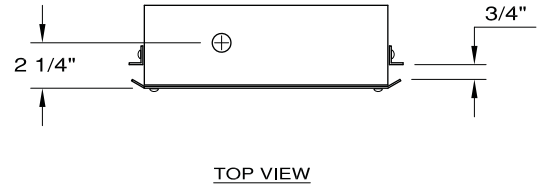
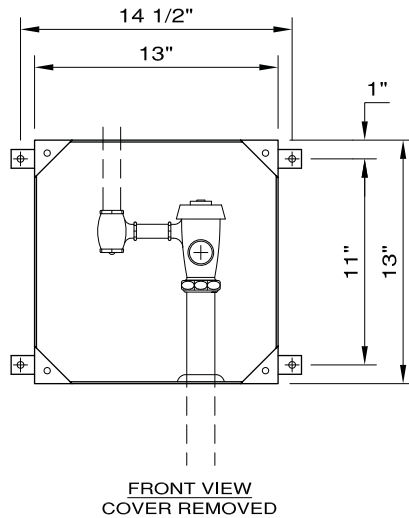
4.) Other Options:

FV Hydraulic Flush Valve (Includes Actuator)
 AP Flush Valve Access Panel
 RFVB Remote Flush Valve with Box
 REFVB Remote Electronic Flush Valve with Box*
 RMPB Remote Mounted Flush Valve Push Button (Must be located within 10' of Flush Valve)
 HB-8156 Dual Temp. Single Outlet Hose Box
 EFV Electronic Flush Valve (Pick Control)*
 EFVP Electronic Flush Valve w/ (PZPB) Piezo Push Button (Pick Control)*
 TF24H Hard-wired Transformer, 110/24VAC*
 TF24P Plug-in Transformer, 110/24VAC*
 Other _____

5.) Electronic Controls (Must Use Electronic Flush Valve):

WUFC-4000 Pneutronic WMSII
 WUCC-3010 (Select WUCC-3010 Control if pairing a Detox Toilet with a Lavatory)

*(Req. 110V power through ground fault interrupter (GFCI) receptacle)



Recommended Specifications: RFVB

Remote flush box with integral flush valve shall be:
 Willoughby Model No. **RFVB**

The front cover shall be fabricated from 14 gauge, type 304 stainless steel with exposed surfaces polished to a #4 satin finish.

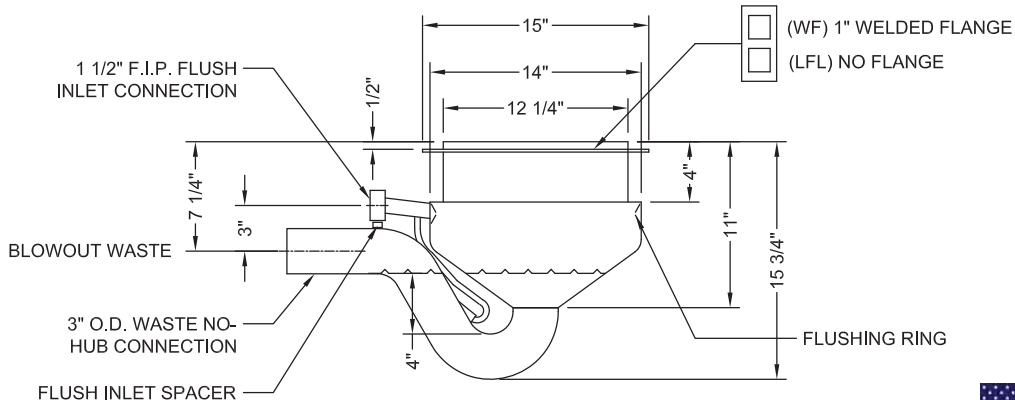
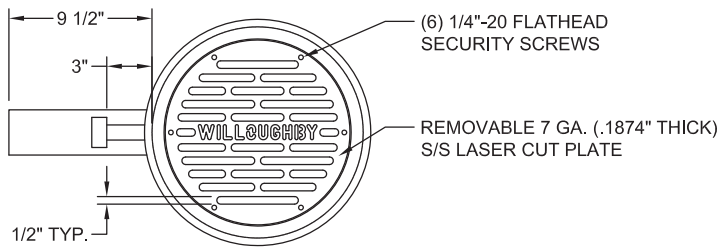
The cover shall be mounted to the wall box with security screws. The wall box and wall brackets shall be fabricated from 20 gauge galvanized steel.

The integral flush valve shall be non-hold open type.

Approved For Manufacturing By: _____ Date: _____ Company: _____
 Wall Thickness: _____ Wall Type: _____

VERIFY ALL DIMENSIONS WITH FACTORY PRIOR TO ROUGH-IN
 WILLOUGHBY RESERVES THE RIGHT TO MAKE CHANGES IN DESIGN AND DIMENSIONS WITHOUT FORMAL NOTICE AND WITHOUT INCURRING OBLIGATION.

3.5 GPF VERSION SHOWN

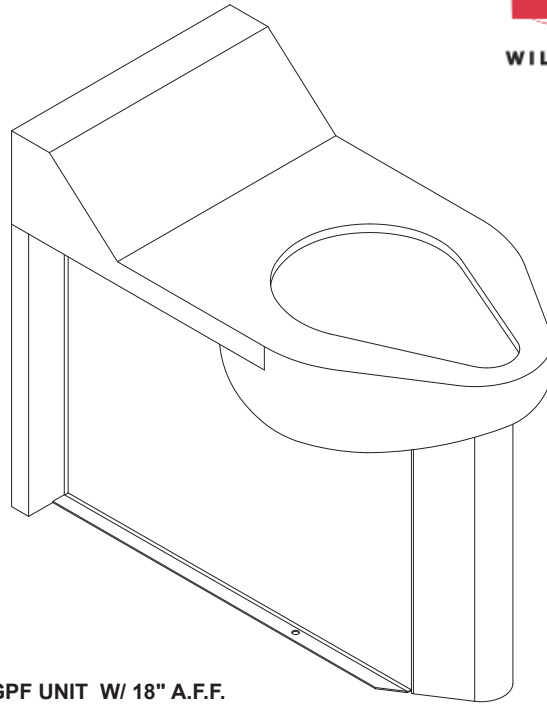


visit our website at www.willoughby-ind.com
 5105 West 78th Street • Indianapolis, IN. 46268
 (317) 875-0830 • Fax: (317) 875-0837 • (800) 428-4065



MADE IN THE U.S.A.

ASETW-1490-FM Ligature-resistant Wall Outlet Floor Mounted Blowout Series Water Closet



IN COMPLIANCE
WITH A.D.A. 2010

* USE "HC" SUFFIX FOR
18" A.F.F. SEAT HEIGHT

(1.28 GPF UNIT W/ 18" A.F.F.
SEAT HEIGHT* SHOWN)
(Unit may be shown with optional features)

To specify fixture and accessories, use the Model Number and Options page.

Example: To specify a Ligature-resistant, Wall Outlet, Floor Mounted, Blowout Series Toilet with back spud, 18" ADA seat height, 1.28 GPF, toilet waste extension, 3" PVC waste coupling, hydraulic flush valve, flush valve connection, high polish seat, wall sleeve, and toilet shipping cover

Use the following Willoughby Model Number:
ASETW-1490-FM-BS-HC-1.28-TWE-TWC3P-FV-FVT-HPS-WS-TSC

Recommended Specifications

Ligature-resistant, Wall Outlet, Floor Mounted, Blowout Series Toilet shall be: Willoughby Model No. **ASETW-1490-FM**
(Select from model number and options list on next page)

Fixture shall be fabricated from 14 gauge, type 304 stainless steel. The construction shall be all welded, with exposed stainless surfaces polished to a #4 satin finish.

Standard toilet shall include:

- Elongated toilet bowl with contoured seat
- Integral crevice-free self-draining flushing rim with positive afterfill
- Fully enclosed 2-1/2" O.D. trap which shall maintain a minimum 2" seal and pass a 2-1/8" ball
- Bead blast finish bowl interior

Toilet shall be blowout type, requiring 35 PSI minimum flushing pressure. Model shall meet the requirements of ASME A112.19.3/CSA B45.4.

Fixture shall withstand loadings of 5,000 lbs. without permanent damage.

Standard ligature-resistant toilet skirt shall extend to floor as close to front of toilet bowl as possible, virtually eliminating open space under the fixture.

Anchoring shall be by standard 6-point system: (4 in the wall and 2 in the floor): threaded rods, nuts and washers shall be furnished for walls up to 8" thick. Floor anchoring hardware by others.

Unit shall require chase area for installation and maintenance.

On back to back fixture installations, do not use standard cross type waste fitting: cross flow may result due to blowout jet action. Use sanitary or off-set type waste fittings.

Note: For HET 1.28 GPF, unit will pass a 2" ball.



MODEL NUMBER AND OPTIONS:

1.) Base Model Number:

- ASETW-1490-FM Ligature-resistant, Wall Outlet, Floor Mounted, Blowout Series Toilet

2.) Inlet Location:

- BS Back Spud
 TS Top Spud

3.) Toilet Seat Height:

- 15" Seat Height (Standard)
 HC 18" Seat Height, Handicap-ADA Compliant

4.) Flush Valve GPF (Must Specify):

- 1.28 GPF HET
 1.6 GPF ULF (Standard)
 3.5 GPF (3" waste tube required)

5.) Toilet Waste:

- TWE Toilet Waste Extension (Standard)
 TW3 3" Clean-out for (TWE)
 TW5 4" Clean-out for (TWE)
 GWC Gasketed Waste Connection
 WO3 3" Toilet 'P' Trap (3.5 GPF Only)
 PC3 Pinned Clean-out Plug PVC-3"
 PCB3 Pinned Clean-out Plug Brass-3"
 PC4 Pinned Clean-out Plug PVC-4"
 PCB4 Pinned Clean-out Plug Brass-4"
 COH4 4" Clean-out Hook, 4" PVC Plug

6.) Waste Coupling for (TWE) Toilet Waste Extension:

- TWC3P Connecting to 3" PVC
 TWC3C Connecting to 3" Cast Iron
 TWC4P Connecting to 4" PVC
 TWC4C Connecting to 4" Cast Iron

7.) Other Options:

- T4 Manual Reset Toilet Overflow Preventer, Requires: (FV) Hydraulic Flush Valve and Accessible Chase
 T4A Auto Reset Toilet Overflow Preventer, Requires: (FV) Hydraulic Flush Valve and Accessible Chase
 ET4 Electronic Toilet Overflow Preventer*, Requires (EFV), Accessible Chase, & (WUCC-3010) or (WMSII) control
 FV Hydraulic Flush Valve (Includes Actuator)
 EFV Electronic Flush Valve (Pick Control)*
 EFVP Electronic Flush Valve w/ (PZPB) Piezo Push Button (Pick Control)*
 TFE Toilet Flush Extension
 FVT Flush Valve Connection (Back Spud Only)
 ASFVC Ligature-resistant Flush Valve Cover (Top Spud Only)
 ASFVCADA Ligature-resistant ADA Flush Valve Cover (Top Spud Only)
 AP Flush Valve Access Panel (Allows access to chase mounted flush valve from fixture side)
 DC Decorator Color (Fixture exterior only - White)
 TF24H Hard-wired Transformer, 110VAC to 24VAC*
 TF24P Plug-in Transformer, 110VAC to 24VAC*
 HPS High Polish Seat
 MT Wall Template
 WS Wall Sleeve (Requires Accessible Chase)
 TSC Toilet Shipping Cover
 ASRTH1 Ligature-resistant Wall Mounted Recessed Tissue Holder (Rear Mounted, Requires Accessible Chase)
 ASRTH2 Ligature-resistant Wall Mounted Recessed Tissue Holder (Front Mounted, 4-1/2" Depth)
 ASRTH3 Ligature-resistant Wall Mounted Recessed Tissue Holder For 4" Stud Wall (Front Mounted, 3-1/2" Depth)
 Other _____

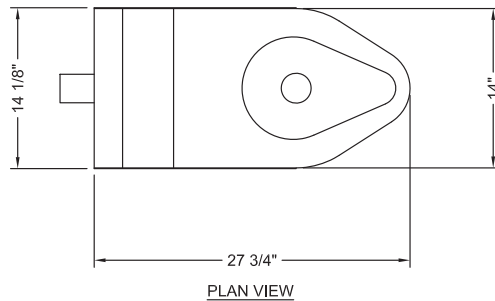
8.) Electronic Controls* (Must Use Electronic Flush Valve):

- WUFC-4000 Pneutronic WMSII
 WUCC-3010 (Select WUCC-3010 Control if pairing a Toilet with a Lavatory or if the Toilet is selected with an (ET4) overflow option)

*(Req. 110V power through ground fault interrupter (GFCI) receptacle)

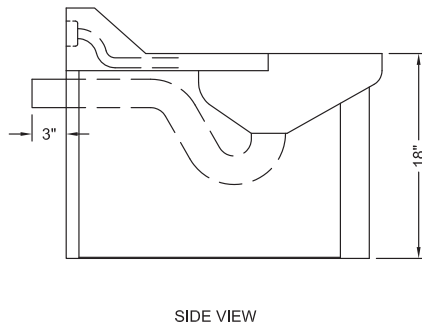
Approved For Manufacturing By: _____ Date: _____ Company: _____
 Wall Thickness: _____ Wall Type: _____

VERIFY ALL DIMENSIONS WITH FACTORY PRIOR TO ROUGH-IN
 WILLOUGHBY RESERVES THE RIGHT TO MAKE CHANGES IN DESIGN AND DIMENSIONS WITHOUT FORMAL NOTICE AND WITHOUT INCURRING OBLIGATION.



1.28 GP VERSION SHOWN,
 3.5 AND 1.6 MAY VARY
 IN SIZE

UNIT SHOWN IS A.D.A. COMPLIANT
 "HC" MODEL (18" A.F.F. SEAT HEIGHT);
 SEE A.D.A. NOTE FROM FRONT PAGE

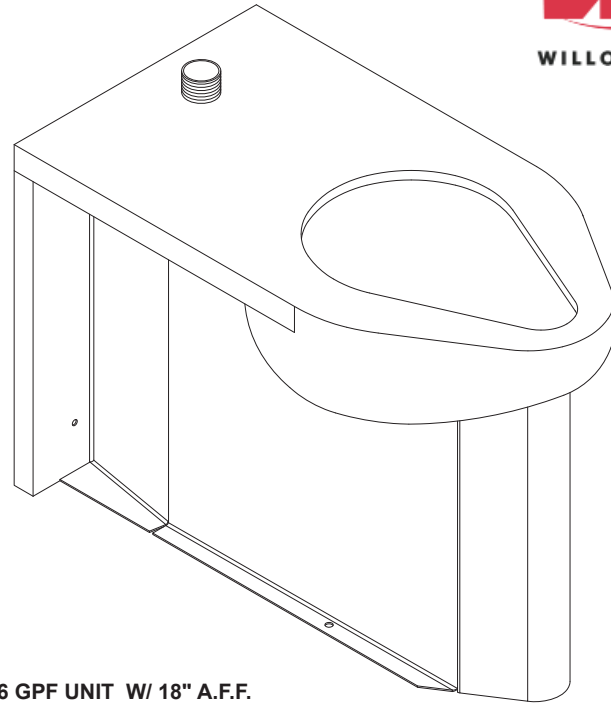


visit our website at www.willoughby-ind.com
 5105 West 78th Street • Indianapolis, IN. 46268
 (317) 875-0830 • Fax: (317) 875-0837 • (800) 428-4065



MADE IN THE U.S.A.

ASETW-1490-FM-FA Front Access Ligature-resistant Wall Outlet Floor Mounted Blowout Series Water Closet



IN COMPLIANCE
WITH A.D.A. 2010

* USE "HC" SUFFIX FOR
18" A.F.F. SEAT HEIGHT

(1.6 GPF UNIT W/ 18" A.F.F.
SEAT HEIGHT* SHOWN)
(Unit may be shown with optional features)

To specify fixture and accessories, use the Model Number and Options page.

Example: To specify a Front Access, Ligature-resistant, Wall Outlet, Floor Mounted Blowout Series Toilet with top spud, 18" ADA seat height, 1.6 GPF, gasketed waste connection, hydraulic flush valve, ligature-resistant ADA compliant flush valve cover, high polish seat, and toilet shipping cover

Use the following Willoughby Model Number:
ASETWS-1490-FM-FA-TS-HC-1.6-GWC-FV-ASFVC-ADA-HPS-TSC

Recommended Specifications

Front Access, Ligature-resistant, Wall Outlet, Floor Mounted Blowout Series Toilet shall be:

Willoughby Model No. **ASETW-1490-FM-FA**

(Select from model number and options list on next page)

Fixture shall be fabricated from 14 gauge, type 304 stainless steel. The construction shall be all welded, with exposed stainless surfaces polished to a #4 satin finish.

Standard toilet shall include:

- Elongated toilet bowl with contoured seat
- Integral crevice-free self-draining flushing rim with positive afterfill
- Fully enclosed 2-1/2" O.D. trap which shall maintain a minimum 2" seal and pass a 2-1/8" ball
- Bead blast finish bowl interior

Toilet shall be blowout type, requiring 35 PSI minimum flushing pressure. Model shall meet the requirements of ASME A112.19.3/CSA B45.4.

Fixture shall withstand loadings of 5,000 lbs. without permanent damage.

Standard ligature-resistant toilet skirt shall extend to floor as close to front of toilet bowl as possible, virtually eliminating open space under the fixture.

Anchoring shall be through the front and through the floor (anchoring hardware provided by others).

Unit requires no chase area for installation and maintenance unless specified with any Toilet Waste Extension options or Toilet Overflow Preventer options.

On back to back fixture installations, do not use standard cross type waste fitting: cross flow may result due to blowout jet action. Use sanitary or offset type waste fittings.

Note: For HET 1.28 GPF, unit will pass a 2" ball.

visit our website at www.willoughby-ind.com

5105 West 78th Street • Indianapolis, IN. 46268

(317) 875-0830 • Fax: (317) 875-0837 • (800) 428-4065



MADE IN THE U.S.A.

MODEL NUMBER AND OPTIONS:

1.) Base Model Number:

- ASETW-1490-FM-FA Front Access, Ligature-resistant, Wall Outlet, Floor Mounted Blowout Series Toilet

2.) Inlet Location:

- BS Back Spud
 TS Top Spud

3.) Toilet Seat Height:

- 15" Seat Height (Standard)
 HC 18" Seat Height, Handicap-ADA Compliant

4.) Flush Valve GPF (Must Specify):

- 1.28 GPF HET
 1.6 GPF ULF (Standard)
 3.5 GPF (3" waste tube required)

5.) Toilet Waste:

- GWC Gasketed Waste Connection (Standard)
 WO3 3" Toilet 'P' Trap (3.5 GPF Only)
 PC3 Pinned Clean-out Plug PVC-3"
 PCB3 Pinned Clean-out Plug Brass-3"
 PC4 Pinned Clean-out Plug PVC-4"
 PCB4 Pinned Clean-out Plug Brass-4"

6.) Other Options:

- T4 Manual Reset Toilet Overflow Preventer, Requires: (FV) Hydraulic Flush Valve and Accessible Chase
 T4A Auto Reset Toilet Overflow Preventer, Requires: (FV) Hydraulic Flush Valve and Accessible Chase
 ET4 Electronic Toilet Overflow Preventer*, Requires (EFV), Accessible Chase, & (WUCC-3010) or (WMSII) control
 FV Hydraulic Flush Valve (Includes Actuator)
 EFV Electronic Flush Valve (Pick Control)*
 EFVP Electronic Flush Valve w/ (PZPB) Piezo Push Button (Pick Control)**
 FVT Flush Valve Connection (Back Spud Only)
 ASFVC Ligature-resistant Flush Valve Cover (Top Spud Only)
 ASFVCADA Ligature-resistant ADA Flush Valve Cover (Top Spud Only)
 AP Flush Valve Access Panel (Allows access to chase mounted flush valve from fixture side)
 DC Decorator Color (Fixture exterior only - White)
 TF24H Hard-wired Transformer, 110VAC to 24VAC*
 TF24P Plug-in Transformer, 110VAC to 24VAC*
 HPS High Polish Seat
 MT Wall Template
 TSC Toilet Shipping Cover
 ASRTH1 Ligature-resistant Wall Mounted Recessed Tissue Holder (Rear Mounted, Requires Accessible Chase)
 ASRTH2 Ligature-resistant Wall Mounted Recessed Tissue Holder (Front Mounted, 4-1/2" Depth)
 ASRTH3 Ligature-resistant Wall Mounted Recessed Tissue Holder For 4" Stud Wall (Front Mounted, 3-1/2" Depth)
 Other _____
 Other _____

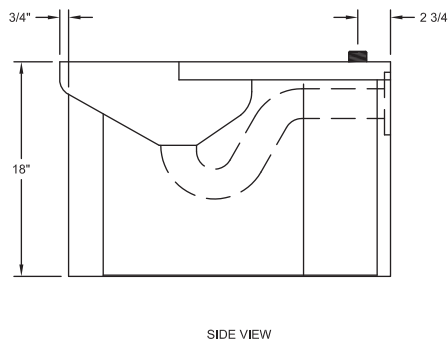
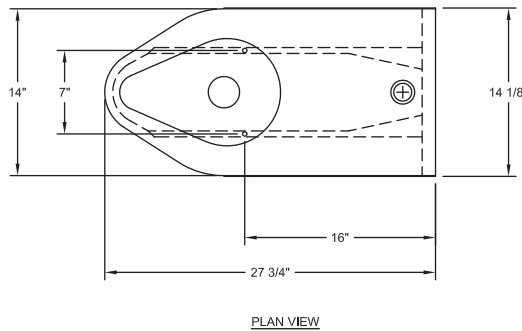
7.) Electronic Controls* (Must Use Electronic Flush Valve):

- WUFC-4000 Pneutronic WMSII
 WUCC-3010 (Select WUCC-3010 Control if pairing a Toilet with a Lavatory or if the Toilet is selected with an (ET4) overflow option)

*(Req. 110V power through ground fault interrupter (GFCI) receptacle)

Approved For Manufacturing By: _____ Date: _____ Company: _____
 Wall Thickness: _____ Wall Type: _____

VERIFY ALL DIMENSIONS WITH FACTORY PRIOR TO ROUGH-IN
 WILLOUGHBY RESERVES THE RIGHT TO MAKE CHANGES IN DESIGN AND DIMENSIONS WITHOUT FORMAL NOTICE AND WITHOUT INCURRING OBLIGATION.



1.6 GPF MODEL SHOWN;
 1.28 GPF AND 3.5 GPF MODELS
 MAY VARY IN SIZE FROM SHOWN

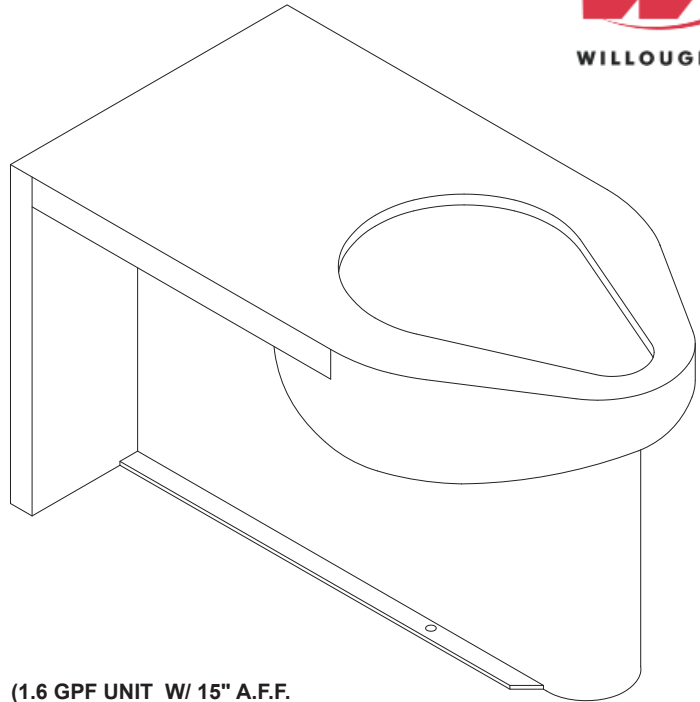
UNIT SHOWN IS ADA COMPLIANT
 (HC) MODEL (18" AFF RIM HEIGHT).
 SEE ADA NOTE ON FRONT PAGE.

visit our website at www.willoughby-ind.com
 5105 West 78th Street • Indianapolis, IN. 46268
 (317) 875-0830 • Fax: (317) 875-0837 • (800) 428-4065



MADE IN THE U.S.A.

ASETWS-1490-FM Ligature-resistant Wall Outlet Floor Mounted Siphon Jet Series Water Closet



(1.6 GPF UNIT W/ 15" A.F.F.
SEAT HEIGHT* SHOWN)
(Unit may be shown with optional features)



IN COMPLIANCE
WITH A.D.A. 2010

* USE "HC" SUFFIX FOR
18" A.F.F. SEAT HEIGHT

To specify fixture and accessories, use the Model Number and Options page.

Example: To specify a Ligature-resistant, Wall Outlet, Floor Mounted Siphon Jet Series Toilet with back spud, standard 15" seat height, 1.6 GPF, toilet waste extension, 3" PVC waste coupling, hydraulic flush valve, flush valve connection, high polish seat, wall sleeve, and toilet shipping cover

Use the following Willoughby Model Number:

ASETWS-1490-FM-BS-1.6-TWE-TWC3P-FV-FVT-HPS-WS-TSC

Recommended Specifications

Ligature-resistant, Wall Outlet, Floor Mounted, Siphon Jet Series Toilet shall be: Willoughby Model No. **ASETWS-1490-FM** (Select from model number and options list on next page)

Fixture shall be fabricated from 14 gauge, type 304 stainless steel. The construction shall be all welded, with exposed stainless surfaces polished to a #4 satin finish.

Standard toilet shall include:

- Elongated toilet bowl with contoured seat
- Integral crevice-free self-draining flushing rim with positive afterfill
- Fully enclosed 2-1/2" O.D. trap which shall maintain a minimum 2" seal and pass a 2-1/8" ball
- Bead blast finish bowl interior

Toilet shall be siphon jet type, requiring 35 PSI minimum flushing pressure. Model shall meet the requirements of ASME A112.19.3/CSA B45.4.

Fixture shall withstand loadings of 5,000 lbs. without permanent damage.

Standard ligature-resistant toilet skirt shall extend to floor as close to front of toilet bowl as possible, virtually eliminating open space under the fixture.

Anchoring shall be by standard 6-point system: (4 in the wall and 2 in the floor): threaded rods, nuts and washers shall be furnished for walls up to 8" thick. Floor anchoring hardware by others.

Unit shall require chase area for installation and maintenance.

On back to back fixture installations, do not use standard cross type waste fitting: cross flow may result due to blowout jet action. Use sanitary or off-set type waste fittings.

Note: For HET 1.28 GPF, unit will pass a 2" ball.

visit our website at www.willoughby-ind.com

5105 West 78th Street • Indianapolis, IN. 46268
(317) 875-0830 • Fax: (317) 875-0837 • (800) 428-4065



MADE IN THE U.S.A.

MODEL NUMBER AND OPTIONS:

1.) Base Model Number:

- ASETWS-1490-FM Ligature-resistant, Wall Outlet, Floor Mounted, Siphon Jet Series Toilet

2.) Inlet Location:

- BS Back Spud
 TS Top Spud

3.) Toilet Seat Height:

- 15" Seat Height (Standard)
 HC 18" Seat Height, Handicap-ADA Compliant

4.) Flush Valve GPF (Must Specify):

- 1.28 GPF HET
 1.6 GPF ULF (Standard)
 3.5 GPF (3" waste tube required)

5.) Toilet Waste:

- TWE Toilet Waste Extension (Standard)
 TW3 3" Clean-out for (TWE)
 TW5 4" Clean-out for (TWE)
 GWC Gasketed Waste Connection
 WO3 3" Toilet 'P' Trap (3.5 GPF Only)
 PC3 Pinned Clean-out Plug PVC-3"
 PCB3 Pinned Clean-out Plug Brass-3"
 PC4 Pinned Clean-out Plug PVC-4"
 PCB4 Pinned Clean-out Plug Brass-4"
 COH4 4" Clean-out Hook, 4" PVC Plug

6.) Waste Coupling for (TWE) Toilet Waste Extension:

- TWC3P Connecting to 3" PVC
 TWC3C Connecting to 3" Cast Iron
 TWC4P Connecting to 4" PVC
 TWC4C Connecting to 4" Cast Iron

7.) Other Options:

- T4 Manual Reset Toilet Overflow Preventer, Requires: (FV) Hydraulic Flush Valve and Accessible Chase
 T4A Auto Reset Toilet Overflow Preventer, Requires: (FV) Hydraulic Flush Valve and Accessible Chase
 ET4 Electronic Toilet Overflow Preventer*, Requires (EFV), Accessible Chase, & (WUCC-3010) or (WMSII) control
 FV Hydraulic Flush Valve (Includes Actuator)
 EFV Electronic Flush Valve (Pick Control)*
 EFVP Electronic Flush Valve w/ (PZPB) Piezo Push Button (Pick Control)*
 TFE Toilet Flush Extension
 FVT Flush Valve Connection (Back Spud Only)
 ASFVC Ligature-resistant Flush Valve Cover (Top Spud Only)
 ASFVCADA Ligature-resistant ADA Flush Valve Cover (Top Spud Only)
 AP Flush Valve Access Panel (Allows access to chase mounted flush valve from fixture side)
 DC Decorator Color (Fixture exterior only - White)
 TF24H Hard-wired Transformer, 110VAC to 24VAC*
 TF24P Plug-in Transformer, 110VAC to 24VAC*
 HPS High Polish Seat
 MT Wall Template
 WS Wall Sleeve (Requires Accessible Chase)
 TSC Toilet Shipping Cover
 ASRTH1 Ligature-resistant Wall Mounted Recessed Tissue Holder (Rear Mounted, Requires Accessible Chase)
 ASRTH2 Ligature-resistant Wall Mounted Recessed Tissue Holder (Front Mounted, 4-1/2" Depth)
 ASRTH3 Ligature-resistant Wall Mounted Recessed Tissue Holder For 4" Stud Wall (Front Mounted, 3-1/2" Depth)
 Other _____

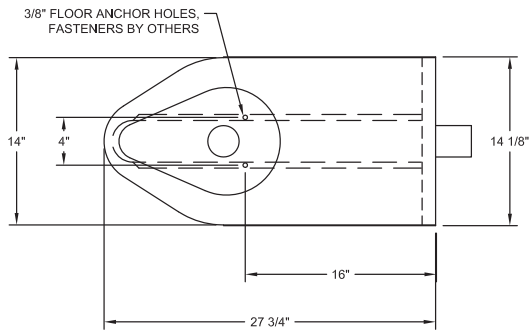
8.) Electronic Controls* (Must Use Electronic Flush Valve):

- WUFC-4000 Pneutronic WMSII
 WUCC-3010 (Select WUCC-3010 Control if pairing a Toilet with a Lavatory or if the Toilet is selected with an (ET4) overflow option)

*(Req. 110V power through ground fault interrupter (GFCI) receptacle)

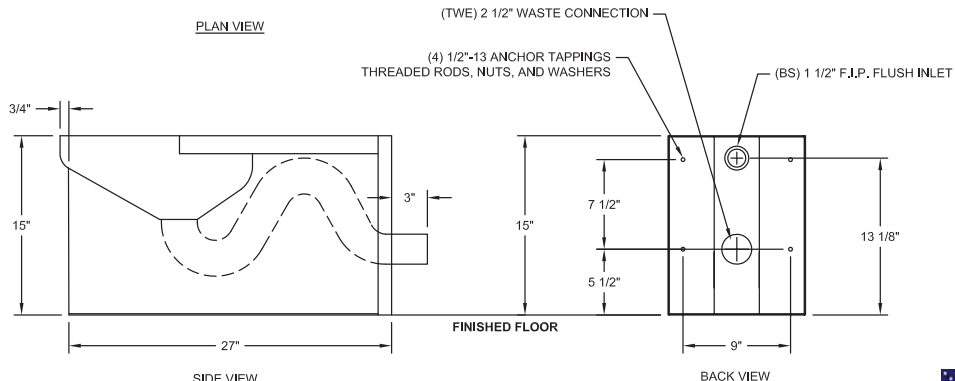
Approved For Manufacturing By: _____ Date: _____ Company: _____
 Wall Thickness: _____ Wall Type: _____

VERIFY ALL DIMENSIONS WITH FACTORY PRIOR TO ROUGH-IN
 WILLOUGHBY RESERVES THE RIGHT TO MAKE CHANGES IN DESIGN AND DIMENSIONS WITHOUT FORMAL NOTICE AND WITHOUT INCURRING OBLIGATION.



1.6 GPF VERSION SHOWN; 1.28 GPF AND 3.5 GPF MAY VARY IN SIZE

UNIT SHOWN IS NOT A.D.A. COMPLIANT (15" SEAT HEIGHT); SEE A.D.A. NOTE FROM FRONT PAGE

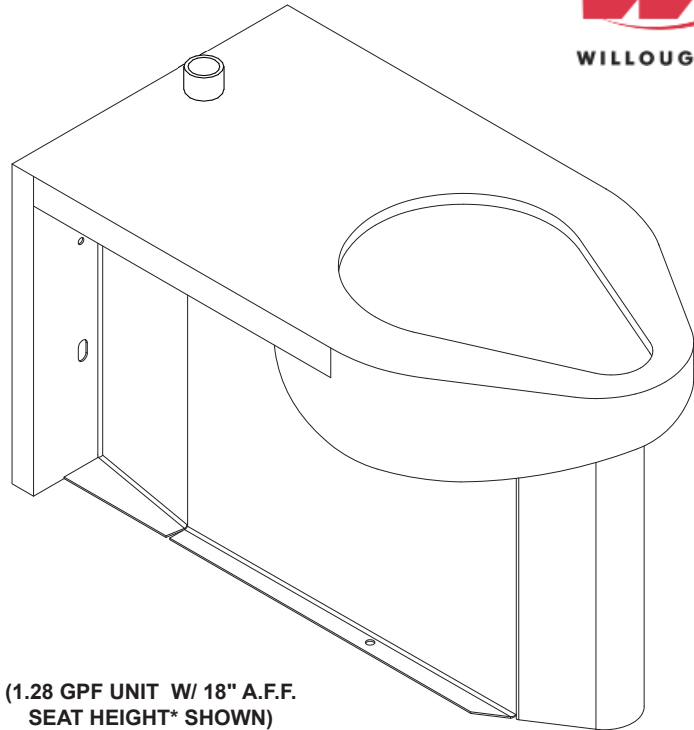


visit our website at www.willoughby-ind.com
 5105 West 78th Street • Indianapolis, IN. 46268
 (317) 875-0830 • Fax: (317) 875-0837 • (800) 428-4065



MADE IN THE U.S.A.

ASETWS-1490-FM-FA Front Access Ligature-resistant Wall Outlet Floor Mounted Siphon Jet Series Water Closet



IN COMPLIANCE
WITH A.D.A. 2010

* USE "HC" SUFFIX FOR
18" A.F.F. SEAT HEIGHT

(1.28 GPF UNIT W/ 18" A.F.F.
SEAT HEIGHT* SHOWN)
(Unit may be shown with optional features)

To specify fixture and accessories, use the Model Number and Options page.

Example: To specify a Front Access, Ligature-resistant, Wall Outlet, Floor Mounted Siphon Jet Series Toilet with top spud, 18" ADA seat height, 1.28 GPF, gasketed waste connection, hydraulic flush valve, ligature-resistant ADA compliant flush valve cover, high polish seat, and toilet shipping cover

Use the following Willoughby Model Number:
ASETWS-1490-FM-FA-TS-HC-1.28-GWC-FV-ASFVC-ADA-HPS-TSC

Recommended Specifications

Front Access, Ligature-resistant, Wall Outlet, Floor Mounted Siphon Jet Series Toilet shall be:

Willoughby Model No. **ASETWS-1490-FM-FA**

(Select from model number and options list on next page)

Fixture shall be fabricated from 14 gauge, type 304 stainless steel. The construction shall be all welded, with exposed stainless surfaces polished to a #4 satin finish.

Standard toilet shall include:

- Elongated toilet bowl with contoured seat
- Integral crevice-free self-draining flushing rim with positive afterfill
- Fully enclosed 2-1/2" O.D. trap which shall maintain a minimum 2" seal and pass a 2-1/8" ball
- Bead blast finish bowl interior

Toilet shall be siphon jet type, requiring 35 PSI minimum flushing pressure. Model shall meet the requirements of ASME A112.19.3/ CSA B45.4.

Fixture shall withstand loadings of 5,000 lbs. without permanent damage.

Standard ligature-resistant toilet skirt shall extend to floor as close to front of toilet bowl as possible, virtually eliminating open space under the fixture.

Anchoring shall be through the front and through the floor (anchoring hardware provided by others).

Unit requires no chase area for installation and maintenance unless specified with any Toilet Waste Extension options or Toilet Overflow Preventer options.

On back to back fixture installations, do not use standard cross type waste fitting: cross flow may result due to blowout jet action. Use sanitary or offset type waste fittings.

Note: For HET 1.28 GPF, unit will pass a 2" ball.

visit our website at www.willoughby-ind.com

5105 West 78th Street • Indianapolis, IN. 46268

(317) 875-0830 • Fax: (317) 875-0837 • (800) 428-4065



MADE IN THE U.S.A.

MODEL NUMBER AND OPTIONS:

1.) Base Model Number:

- ASETWS-1490-FM-FA Front Access, Ligature-resistant, Wall Outlet, Floor Mounted Siphon Jet Series Toilet

2.) Inlet Location:

- BS Back Spud
 TS Top Spud

3.) Toilet Seat Height:

- 15" Seat Height (Standard)
 HC 18" Seat Height, Handicap-ADA Compliant

4.) Flush Valve GPF (Must Specify):

- 1.28 GPF HET
 1.6 GPF ULF (Standard)
 3.5 GPF (3" waste tube required)

5.) Toilet Waste:

- GWC Gasketed Waste Connection (Standard)
 WO3 3" Toilet 'P' Trap (3.5 GPF Only)
 PC3 Pinned Clean-Out Plug PVC-3"
 PCB3 Pinned Clean-Out Plug Brass-3"
 PC4 Pinned Clean-Out Plug PVC-4"
 PCB4 Pinned Clean-Out Plug Brass-4"

6.) Other Options:

- T4 Manual Reset Toilet Overflow Preventer, Requires: (FV) Hydraulic Flush Valve and Accessible Chase
 T4A Auto Reset Toilet Overflow Preventer, Requires: (FV) Hydraulic Flush Valve and Accessible Chase
 ET4 Electronic Toilet Overflow Preventer*, Requires (EFV), Accessible Chase, & (WUCC-3010) or (WMSII) control
 FV Hydraulic Flush Valve (Includes Actuator)
 EFV Electronic Flush Valve (Pick Control)*
 EFVP Electronic Flush Valve w/ (PZPB) Piezo Push Button (Pick Control)*
 FVT Flush Valve Connection (Back Spud Only)
 ASFVC Ligature-resistant Flush Valve Cover (Top Spud Only)
 ASFVCADA Ligature-resistant ADA Flush Valve Cover (Top Spud Only)
 AP Flush Valve Access Panel (Allows access to chase mounted flush valve from fixture side)
 DC Decorator Color (Fixture exterior only - White)
 TF24H Hard-wired Transformer, 110VAC to 24VAC*
 TF24P Plug-in Transformer, 110VAC to 24VAC*
 HPS High Polish Seat
 MT Wall Template
 TSC Toilet Shipping Cover
 ASRTH1 Ligature-resistant Wall Mounted Recessed Tissue Holder (Rear Mounted, Requires Accessible Chase)
 ASRTH2 Ligature-resistant Wall Mounted Recessed Tissue Holder (Front Mounted, 4-1/2" Depth)
 ASRTH3 Ligature-resistant Wall Mounted Recessed Tissue Holder For 4" Stud Wall (Front Mounted, 3-1/2" Depth)
 Other _____
 Other _____

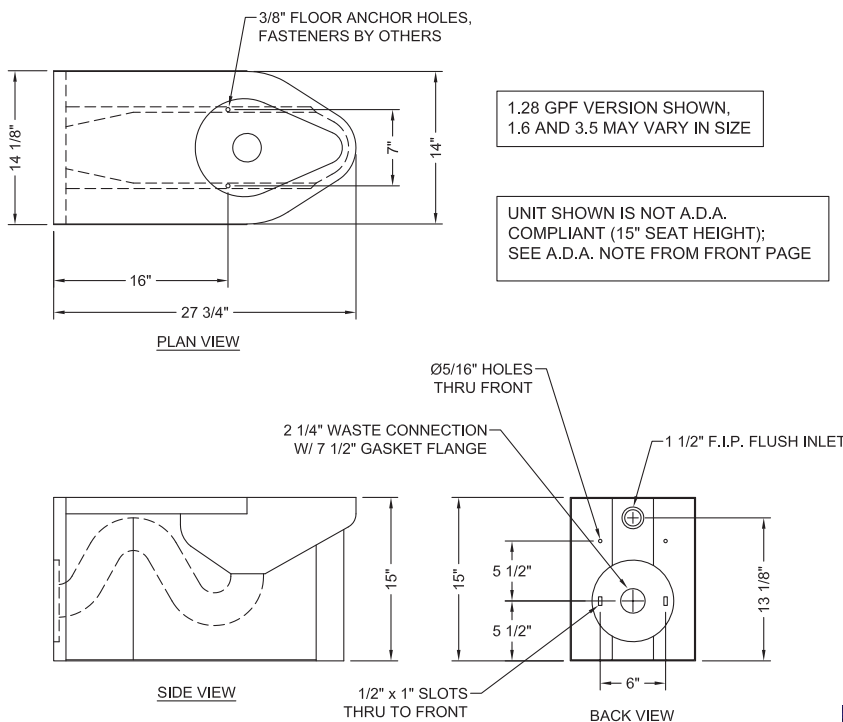
7.) Electronic Controls* (Must Use Electronic Flush Valve):

- WUFC-4000 Pneutronic WMSII
 WUCC-3010 (Select WUCC-3010 Control if pairing a Toilet with a Lavatory or if the Toilet is selected with an (ET4) overflow option)

*(Req. 110V power through ground fault interrupter (GFCI) receptacle)

Approved For Manufacturing By: _____ Date: _____ Company: _____
 Wall Thickness: _____ Wall Type: _____

VERIFY ALL DIMENSIONS WITH FACTORY PRIOR TO ROUGH-IN
 WILLOUGHBY RESERVES THE RIGHT TO MAKE CHANGES IN DESIGN AND DIMENSIONS WITHOUT FORMAL NOTICE AND WITHOUT INCURRING OBLIGATION.

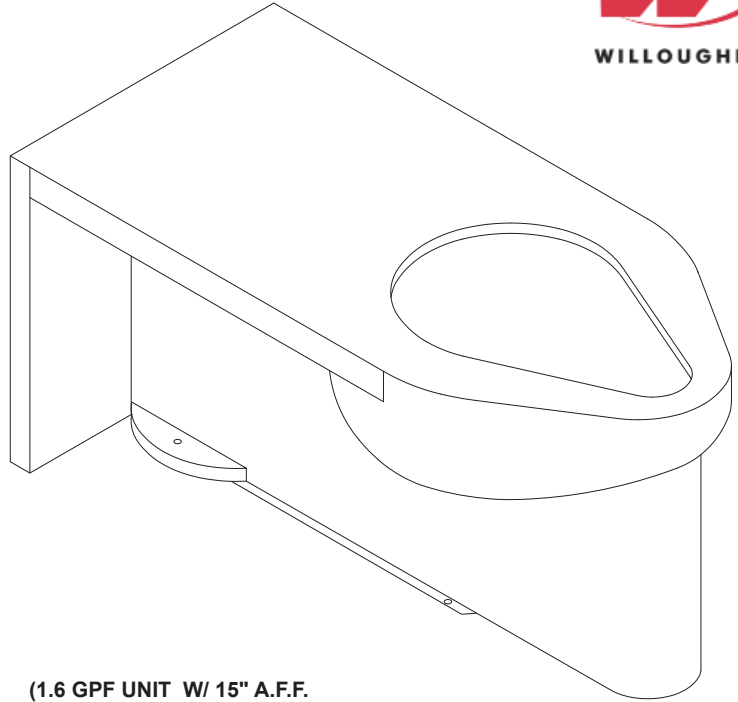


visit our website at www.willoughby-ind.com
 5105 West 78th Street • Indianapolis, IN. 46268
 (317) 875-0830 • Fax: (317) 875-0837 • (800) 428-4065



MADE IN THE U.S.A.

ASETf-1490-FM Ligature-resistant Floor Outlet Floor Mounted Siphon Jet Series Water Closet



IN COMPLIANCE
WITH A.D.A. 2010

* USE "HC" SUFFIX FOR
18" A.F.F. SEAT HEIGHT

(1.6 GPF UNIT W/ 15" A.F.F.
SEAT HEIGHT* SHOWN)
(Unit may be shown with optional features)

To specify fixture and accessories, use the Model Number and Options page.

Example: To specify a Ligature-resistant, Floor Outlet, Floor Mounted, Siphon Jet Series Toilet with back spud, standard 15" seat height, 1.6 GPF, standard gasketed waste connection, floor outlet waste connection, hydraulic flush valve, flush valve connection, high polish seat, wall sleeve, and toilet shipping cover

Use the following Willoughby Model Number:

ASETf-1490-FM-BS-1.6-GWC-TW4-FV-FVT-HPS-WS-TSC

Recommended Specifications

Ligature-resistant, Floor Outlet, Floor Mounted, Siphon Jet Series Toilet shall be: Willoughby Model No. **ASETf-1490-FM**
(Select from model number and options list on next page)

Fixture shall be fabricated from 14 gauge, type 304 stainless steel. The construction shall be all welded, with exposed stainless surfaces polished to a #4 satin finish.

Standard toilet shall include:

- Elongated toilet bowl with contoured seat
- Integral crevice-free self-draining flushing rim with positive afterfill
- Fully enclosed 2-1/2" O.D. trap which shall maintain a minimum 2" seal and pass a 2-1/8" ball
- Bead blast finish bowl interior

Toilet shall be siphon jet type, requiring 35 PSI minimum flushing pressure. Model shall meet the requirements of ASME A112.19.3/CSA B45.4.

Fixture shall withstand loadings of 5,000 lbs. without permanent damage.

Standard ligature-resistant toilet skirt shall extend to floor as close to front of toilet bowl as possible, virtually eliminating open space under the fixture.

Anchoring shall be by standard 4-point system: threaded rods, nuts and washers shall be furnished for walls up to 8" thick. Floor anchoring hardware by others.

Unit shall require chase area for installation and maintenance.

Note: For HET 1.28 GPF, unit will pass a 2" ball.

visit our website at www.willoughby-ind.com

5105 West 78th Street • Indianapolis, IN. 46268

(317) 875-0830 • Fax: (317) 875-0837 • (800) 428-4065



MADE IN THE U.S.A.

MODEL NUMBER AND OPTIONS:

1.) Base Model Number:

- ASETF-1490-FM Ligature-resistant, Floor Outlet, Floor Mounted, Siphon Jet Series Toilet

2.) Inlet Location:

- BS Back Spud
 TS Top Spud

3.) Toilet Seat Height:

- 15" Seat Height (Standard)
 HC 18" Seat Height, Handicap-ADA Compliant

4.) Flush Valve GPF (Must Specify):

- 1.28 GPF HET
 1.6 GPF ULF (Standard)
 3.5 GPF (3" waste tube required)

5.) Toilet Waste:

- GWC Gasketed Waste Connection (Standard)
 TW4 Floor Outlet Waste Connection
 WO3 3" Toilet 'P' Trap (3.5 GPF Only)

6.) Other Options:

- T4 Manual Reset Toilet Overflow Preventer, Requires: (FV) Hydraulic Flush Valve and Accessible Chase
- T4A Auto Reset Toilet Overflow Preventer, Requires: (FV) Hydraulic Flush Valve and Accessible Chase
- ET4 Electronic Toilet Overflow Preventer*, Requires (EFV), Accessible Chase, & (WUCC-3010) or (WMSII) control
- FV Hydraulic Flush Valve (Includes Actuator)
- EFV Electronic Flush Valve (Pick Control)*
- EFVP Electronic Flush Valve w/ (PZPB) Piezo Push Button (Pick Control)*
- FVT Flush Valve Connection (Back Spud Only)
- ASFVC Ligature-resistant Flush Valve Cover (Top Spud Only)
- ASFVCADA Ligature-resistant ADA Flush Valve Cover (Top Spud Only)
- AP Flush Valve Access Panel (Allows access to chase mounted flush valve from fixture side)
- DC Decorator Color (Fixture exterior only - White)
- TF24H Hard-wired Transformer, 110VAC to 24VAC*
- TF24P Plug-in Transformer, 110VAC to 24VAC*
- HPS High Polish Seat
- MT Wall Template
- WS Wall Sleeve (Requires Accessible Chase)
- TSC Toilet Shipping Cover
- ASRTH1 Ligature-resistant Wall Mounted Recessed Tissue Holder (Rear Mounted, Requires Accessible Chase)
- ASRTH2 Ligature-resistant Wall Mounted Recessed Tissue Holder (Front Mounted, 4-1/2" Depth)
- ASRTH3 Ligature-resistant Wall Mounted Recessed Tissue Holder For 4" Stud Wall (Front Mounted, 3-1/2" Depth)
- Other _____
- Other _____

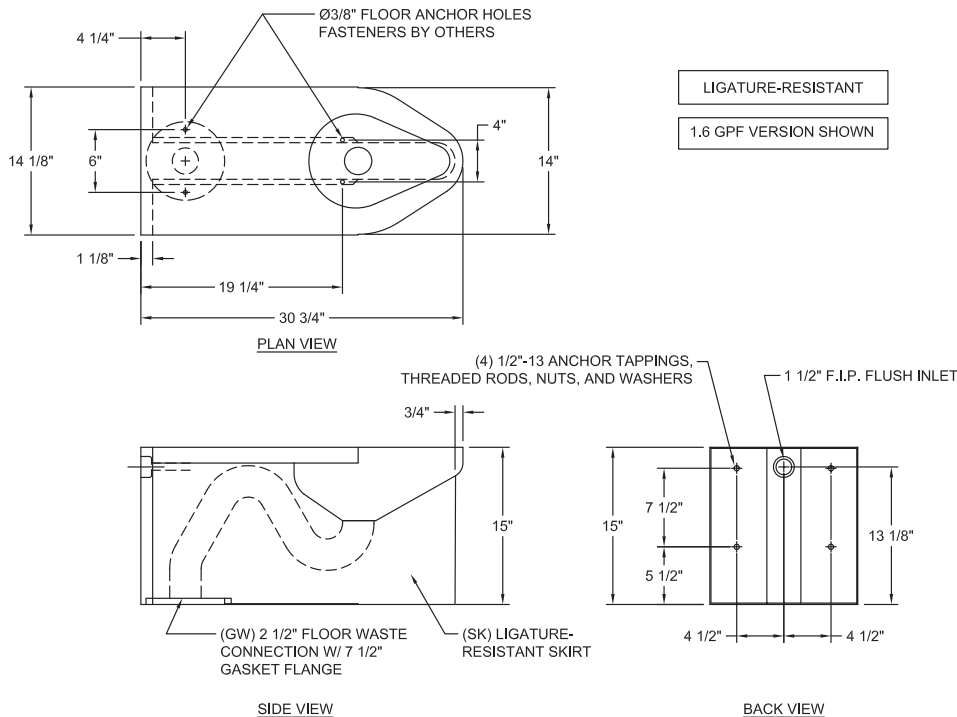
7.) Electronic Controls* (Must Use Electronic Flush Valve):

- WUFC-4000 Pneutronic WMSII
- WUCC-3010 (Select WUCC-3010 Control if pairing a Toilet with a Lavatory or if the Toilet is selected with an (ET4) overflow option)

* (Req. 110V power through ground fault interrupter (GFCI) receptacle)

Approved For Manufacturing By: _____ Date: _____ Company: _____
 Wall Thickness: _____ Wall Type: _____

VERIFY ALL DIMENSIONS WITH FACTORY PRIOR TO ROUGH-IN
 WILLOUGHBY RESERVES THE RIGHT TO MAKE CHANGES IN DESIGN AND DIMENSIONS WITHOUT FORMAL NOTICE AND WITHOUT INCURRING OBLIGATION.

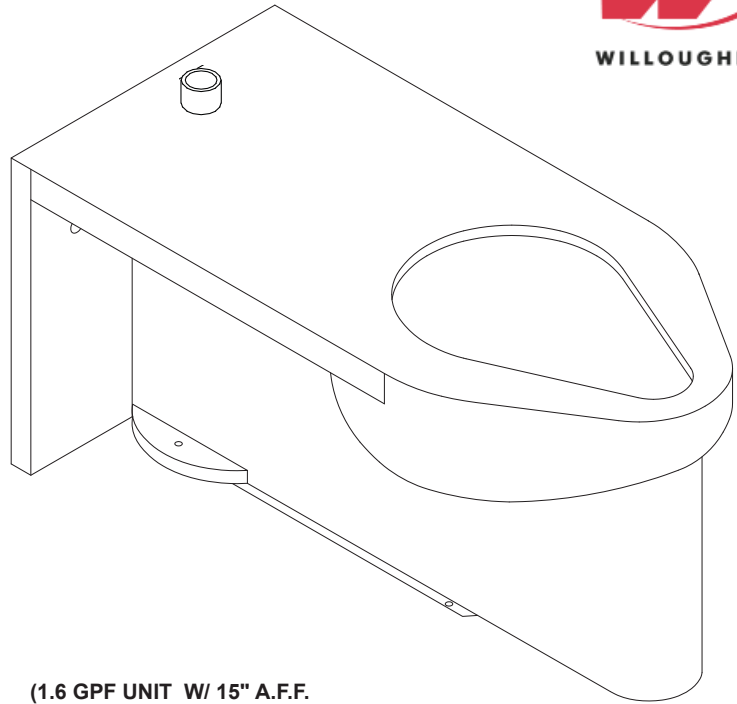


visit our website at www.willoughby-ind.com
 5105 West 78th Street • Indianapolis, IN. 46268
 (317) 875-0830 • Fax: (317) 875-0837 • (800) 428-4065



MADE IN THE U.S.A.

ASETf-1490-FM-FA Front Access Ligature-resistant Floor Outlet Floor Mounted Siphon Jet Series Water Closet



IN COMPLIANCE
WITH A.D.A. 2010

* USE "HC" SUFFIX FOR
18" A.F.F. SEAT HEIGHT

(1.6 GPF UNIT W/ 15" A.F.F.
SEAT HEIGHT* SHOWN)
(Unit may be shown with optional features)

To specify fixture and accessories, use the Model Number and Options page.

Example: To specify a Front Access, Ligature-resistant, Floor Outlet, Floor Mounted Siphon Jet Series Toilet with top spud, standard 15" seat height, 1.6 GPF, standard gasketed waste connection, floor outlet waste connection, hydraulic flush valve, ligature-resistant flush valve cover, high polish seat, and toilet shipping cover

Use the following Willoughby Model Number:
ASETf-1490-FM-FA-TS-1.6-GWC-TW4-FV-ASFVC-HPS-TSC

Recommended Specifications

Front Access, Ligature-resistant, Floor Outlet, Floor Mounted Siphon Jet Series Toilet shall be:

Willoughby Model No. **ASETf-1490-FM-FA**

(Select from model number and options list on next page)

Fixture shall be fabricated from 14 gauge, type 304 stainless steel. The construction shall be all welded, with exposed stainless surfaces polished to a #4 satin finish.

Standard toilet shall include:

- Elongated toilet bowl with contoured seat
- Integral crevice-free self-draining flushing rim with positive afterfill
- Fully enclosed 2-1/2" O.D. trap which shall maintain a minimum 2" seal and pass a 2-1/8" ball
- Bead blast finish bowl interior

Toilet shall be siphon jet type, requiring 35 PSI minimum flushing pressure. Model shall meet the requirements of ASME A112.19.3/CSA B45.4.

Fixture shall withstand loadings of 5,000 lbs. without permanent damage.

Standard ligature-resistant toilet skirt shall extend to floor as close to front of toilet bowl as possible, virtually eliminating open space under the fixture.

Anchoring shall be through the front and through the floor (anchoring hardware provided by others).

Unit requires no chase area for installation and maintenance unless specified with any Toilet Waste Extension options or Toilet Overflow Preventer options.

Note: For HET 1.28 GPF, unit will pass a 2" ball.

visit our website at www.willoughby-ind.com

5105 West 78th Street • Indianapolis, IN. 46268

(317) 875-0830 • Fax: (317) 875-0837 • (800) 428-4065



MADE IN THE U.S.A.

MODEL NUMBER AND OPTIONS:

1.) Base Model Number:

- ASETF-1490-FM-FA Front Access, Ligature-resistant, Floor Outlet, Floor Mounted Siphon Jet Series Toilet

2.) Floor Outlet Rough-In:

- 4-1/4" Fixture Rough-In (Shown, Standard)
 10" 10" Fixture Rough-In
 12" 12" Fixture Rough-In (Changes Overall Fixture Length to 32-3/4")

3.) Inlet Location:

- BS Back Spud
 TS Top Spud

4.) Toilet Seat Height:

- 15" Seat Height (Standard)
 HC 18" Seat Height, Handicap-ADA Compliant

5.) Flush Valve GPF (Must Specify):

- 1.28 GPF HET
 1.6 GPF ULF (Standard)
 3.5 GPF (3" waste tube required)

6.) Toilet Waste:

- GWC Gasketed Waste Connection (Standard)
 TW4 Floor Outlet Waste Connection
 WO3 3" Toilet 'P' Trap (3.5 GPF Only)

7.) Other Options:

- T4 Manual Reset Toilet Overflow Preventer, Requires: (FV) Hydraulic Flush Valve and Accessible Chase
 T4A Auto Reset Toilet Overflow Preventer, Requires: (FV) Hydraulic Flush Valve and Accessible Chase
 ET4 Electronic Toilet Overflow Preventer*, Requires (EFV), Accessible Chase, & (WUCC-3010) or (WMSII) control
 FV Hydraulic Flush Valve (Includes Actuator)
 EFV Electronic Flush Valve (Pick Control)*
 EFVP Electronic Flush Valve w/ (PZPB) Piezo Push Button (Pick Control)*
 FVT Flush Valve Connection (Back Spud Only)
 ASFVC Ligature-resistant Flush Valve Cover (Top Spud Only)
 ASFVCADA Ligature-resistant ADA Flush Valve Cover (Top Spud Only)
 AP Flush Valve Access Panel (Allows access to chase mounted flush valve from fixture side)
 DC Decorator Color (Fixture exterior only - White)
 TF24H Hard-wired Transformer, 110VAC to 24VAC*
 TF24P Plug-in Transformer, 110VAC to 24VAC*
 HPS High Polish Seat
 MT Wall Template
 TSC Toilet Shipping Cover
 ASRTH1 Ligature-resistant Wall Mounted Recessed Tissue Holder (Rear Mounted, Requires Accessible Chase)
 ASRTH2 Ligature-resistant Wall Mounted Recessed Tissue Holder (Front Mounted, 4-1/2" Depth)
 ASRTH3 Ligature-resistant Wall Mounted Recessed Tissue Holder For 4" Stud Wall (Front Mounted, 3-1/2" Depth)
 Other _____
 Other _____

8.) Electronic Controls* (Must Use Electronic Flush Valve):

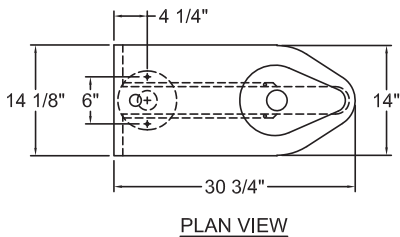
- WUFC-4000 Pneutronic WMSII
 WUCC-3010 (Select WUCC-3010 Control if pairing a Toilet with a Lavatory or if the Toilet is selected with an (ET4) overflow option)

*(Req. 110V power through ground fault interrupter (GFCI) receptacle)

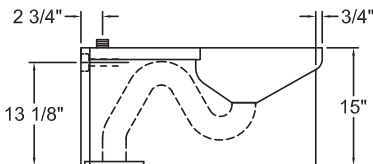
Approved For Manufacturing By: _____ Date: _____ Company: _____
 Wall Thickness: _____ Wall Type: _____

VERIFY ALL DIMENSIONS WITH FACTORY PRIOR TO ROUGH-IN
 WILLOUGHBY RESERVES THE RIGHT TO MAKE CHANGES IN DESIGN AND DIMENSIONS WITHOUT FORMAL NOTICE AND WITHOUT INCURRING OBLIGATION.

**ASETf-1490-FM-FA
(4-1/4" ROUGH-IN)**



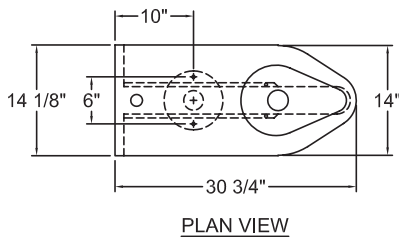
PLAN VIEW



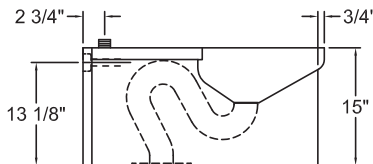
SIDE VIEW

LIGATURE-RESISTANT

**ASETf-1490-FM-FA-10"
(10" ROUGH-IN)**



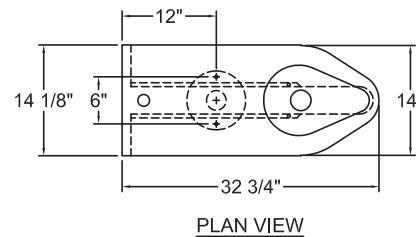
PLAN VIEW



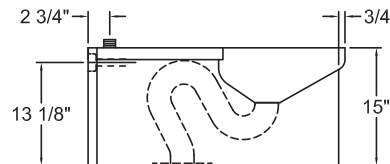
SIDE VIEW

1.6 GPF VERSIONS SHOWN.
3.5 AND 1.28 MAY VARY IN SIZE

**ASETf-1490-FM-FA-12"
(12" ROUGH-IN)**



PLAN VIEW



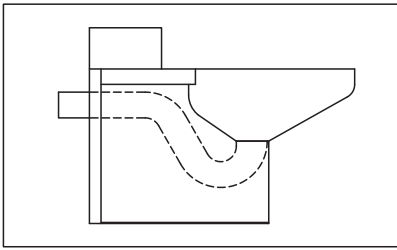
SIDE VIEW

visit our website at www.willoughby-ind.com
 5105 West 78th Street • Indianapolis, IN. 46268
 (317) 875-0830 • Fax: (317) 875-0837 • (800) 428-4065

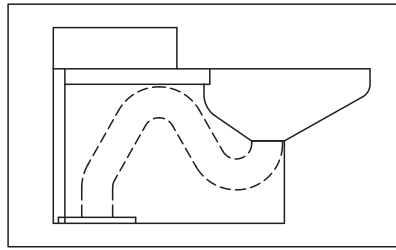


MADE IN THE U.S.A.

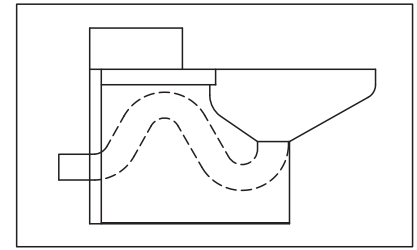
TOILET WASTE LOCATION



(ETW)- WALL OUTLET, BLOWOUT

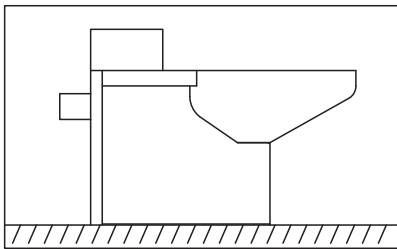


(ETF)- FLOOR OUTLET, SIPHON JET

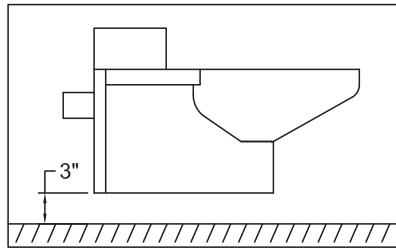


(ETWS)- WALL OUTLET, SIPHON JET

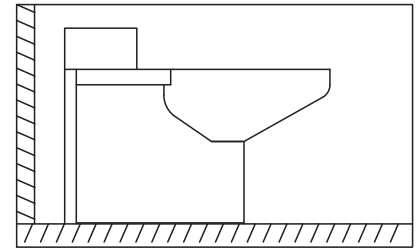
FIXTURE MOUNTING



(FM)- FLOOR MOUNTED

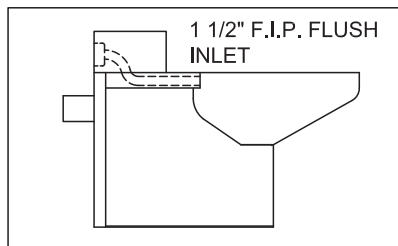


(OF)- OFF FLOOR MOUNTED

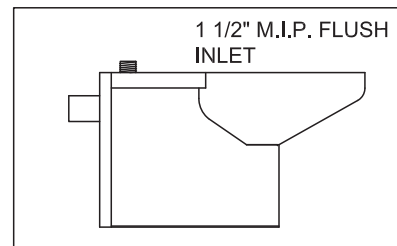


(OW)- OFF WALL MOUNTED

INLET LOCATION

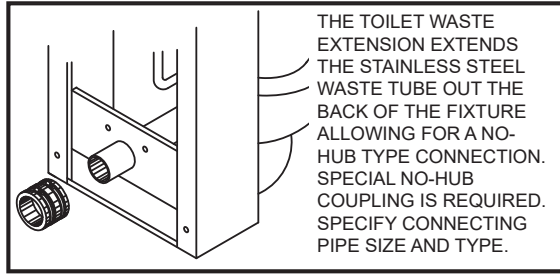


(BS)- BACK SPUD

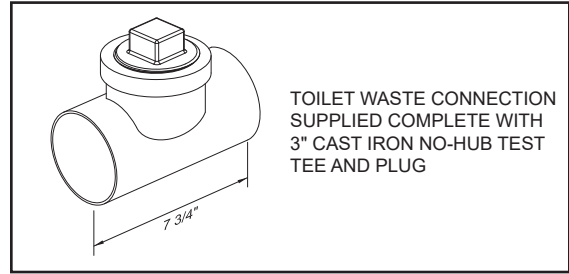


(TS)- TOP SPUD

TOILET WASTE OPTIONS



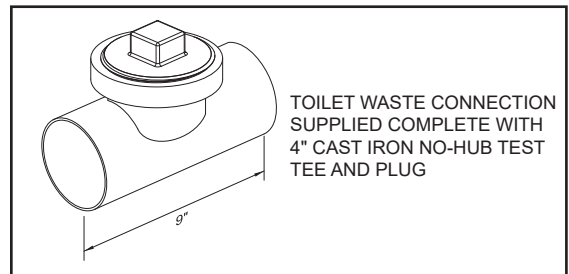
(TWE)- TOILET WASTE EXTENSION



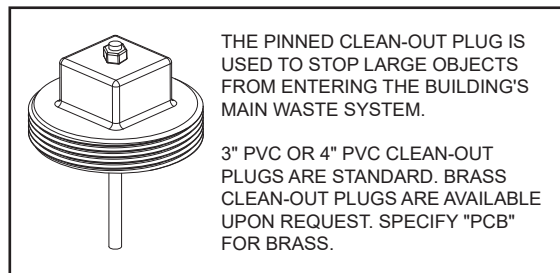
(TW3)- NO-HUB WASTE W/ 3" CLEAN-OUT



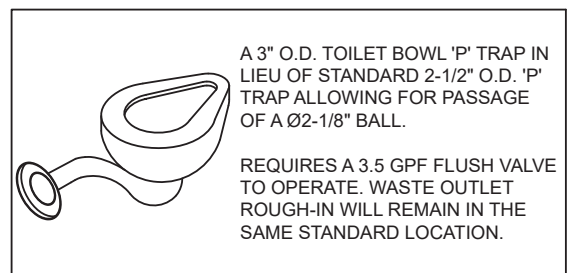
(TW4) FLOOR OUTLET WASTE CONNECTION



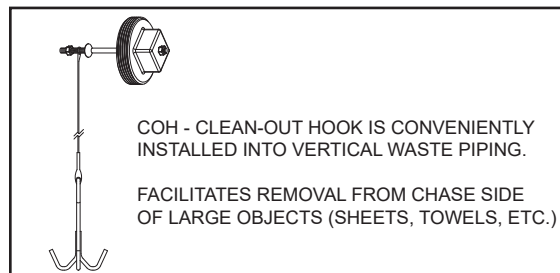
(TW5)- NO-HUB WASTE W/ 4" CLEAN-OUT



(PC_) - PINNED CLEAN-OUT PLUG



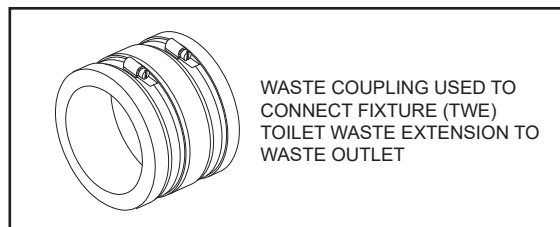
(WO3) TOILET 'P'-TRAP (3.5 GPF ONLY)



(COH4) CLEAN-OUT HOOK

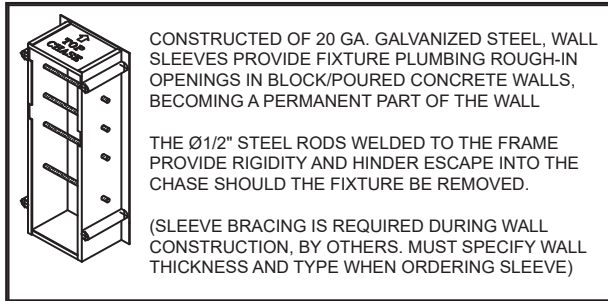


(GWC)- GASKETED WASTE CONNECTION (WALL OUTLET SHOWN)

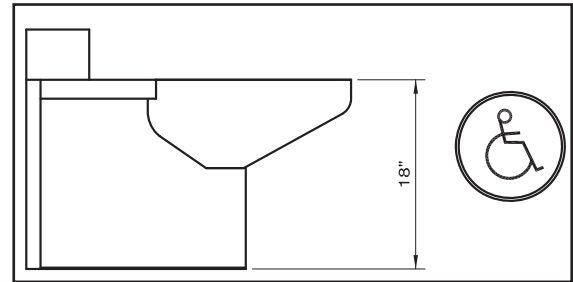


(TWC_) - TOILET WASTE COUPLING

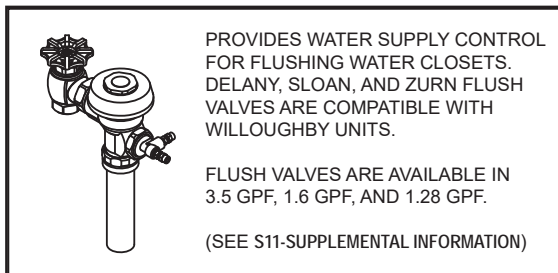
OPTIONS



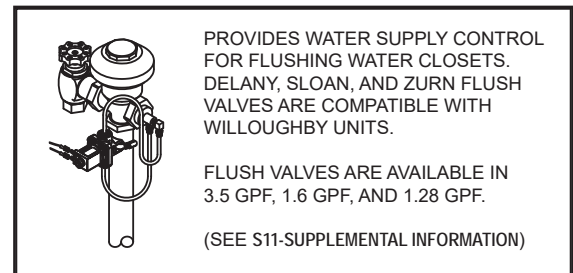
(WS)- WALL SLEEVE



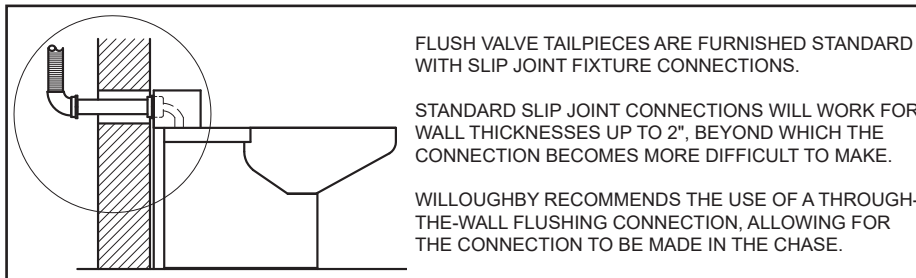
(HC)- 18" ADA-COMPLIANT HANDICAP SEAT HEIGHT



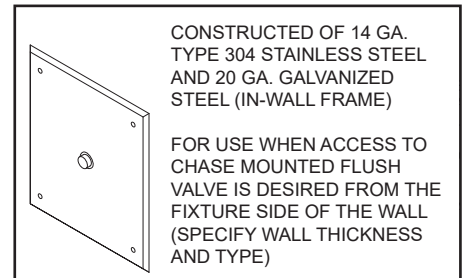
(FV)- HYDRAULIC FLUSH VALVE
(INCLUDES ACTUATOR)



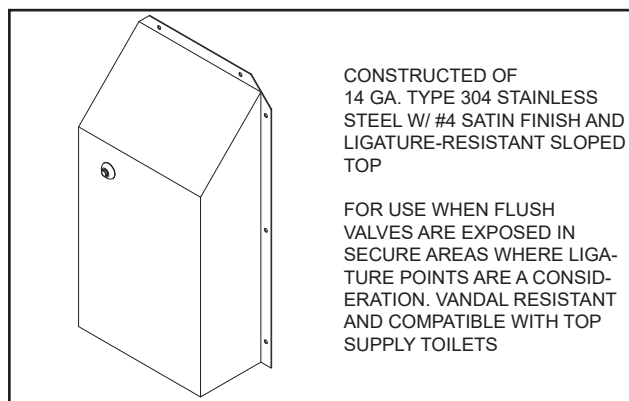
(EFV)- ELECTRONIC FLUSH VALVE
(FOR USE W/ WILLOUGHBY ELECTRONIC CONTROLS)



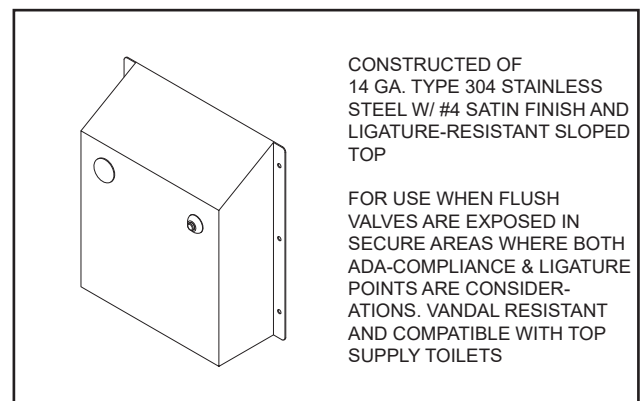
(FVT)- FLUSH VALVE THROUGH WALL CONNECTION



(AP)- FLUSH VALVE ACCESS PANEL



(ASFVC)- LIGATURE-RESISTANT
FLUSH VALVE COVER



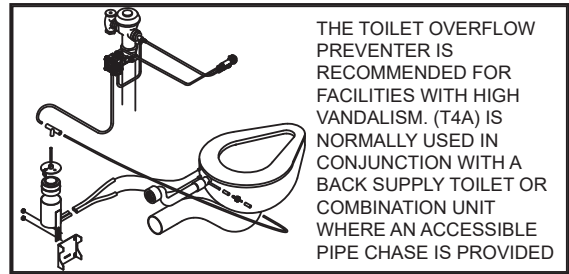
(ASFVCADA)- LIGATURE-RESISTANT
ADA FLUSH VALVE COVER

OPTIONS (CONTINUED)



THE TOILET OVERFLOW PREVENTER IS RECOMMENDED FOR FACILITIES WITH HIGH VANDALISM. (T4) IS NORMALLY USED IN CONJUNCTION WITH A BACK SUPPLY TOILET OR COMBINATION UNIT WHERE AN ACCESSIBLE PIPE CHASE IS PROVIDED

(T4)- MANUAL RESET TOP FOUR OVERFLOW PREVENTER (REQUIRES (FV) HYDRAULIC FLUSH VALVE AND ACCESSIBLE CHASE)



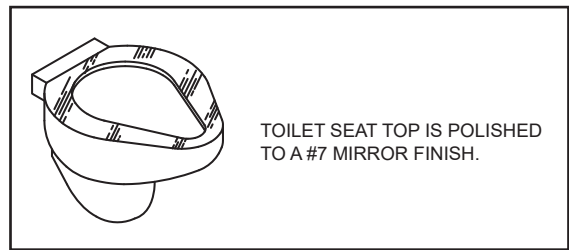
THE TOILET OVERFLOW PREVENTER IS RECOMMENDED FOR FACILITIES WITH HIGH VANDALISM. (T4A) IS NORMALLY USED IN CONJUNCTION WITH A BACK SUPPLY TOILET OR COMBINATION UNIT WHERE AN ACCESSIBLE PIPE CHASE IS PROVIDED

(T4A)- AUTO RESET TOP FOUR OVERFLOW PREVENTER (REQUIRES (FV) HYDRAULIC FLUSH VALVE AND ACCESSIBLE CHASE)



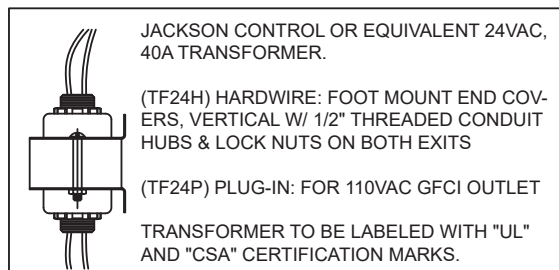
ELONGATED PLASTIC SEAT IS OF SANITARY, OPEN FRONT DESIGN, NOT RECOMMENDED IN MAXIMUM SECURITY AREAS
(AVAILABLE IN WHITE)

(HS)- HINGED PLASTIC SEAT



TOILET SEAT TOP IS POLISHED TO A #7 MIRROR FINISH.

(HPS)- HIGH POLISH SEAT



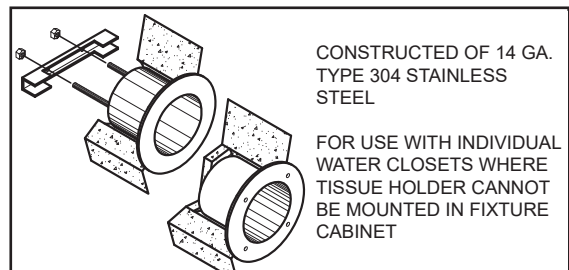
JACKSON CONTROL OR EQUIVALENT 24VAC, 40A TRANSFORMER.

(TF24H) HARDWIRE: FOOT MOUNT END COVERS, VERTICAL W/ 1/2" THREADED CONDUIT HUBS & LOCK NUTS ON BOTH EXITS

(TF24P) PLUG-IN: FOR 110VAC GFCI OUTLET

TRANSFORMER TO BE LABELED WITH "UL" AND "CSA" CERTIFICATION MARKS.

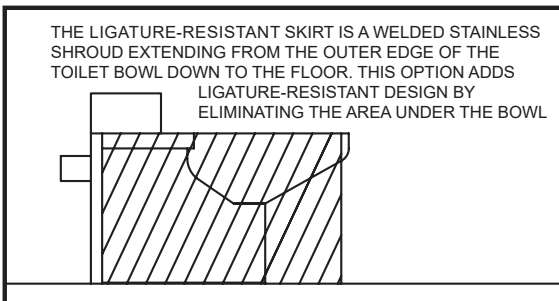
(TF24__)- TRANSFORMER, 110VAC TO 24VAC



CONSTRUCTED OF 14 GA. TYPE 304 STAINLESS STEEL

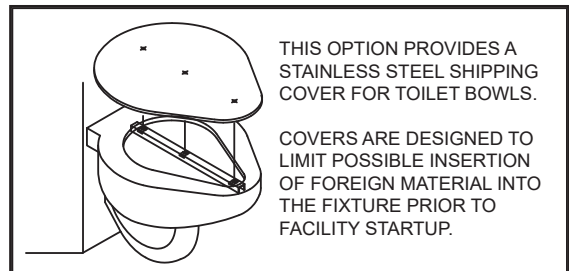
FOR USE WITH INDIVIDUAL WATER CLOSETS WHERE TISSUE HOLDER CANNOT BE MOUNTED IN FIXTURE CABINET

(RTH1)- RECESSED TISSUE HOLDER (REAR MOUNT)
(RTH2)- RECESSED TISSUE HOLDER (FRONT MOUNT)
(ASRTH1)- LIGATURE-RESISTANT RECESSED TISSUE HOLDER (REAR MOUNT)
(ASRTH2)- LIGATURE-RESISTANT RECESSED TISSUE HOLDER (FRONT MOUNT)
(ASRTH3)- LIGATURE-RESISTANT STUD WALL RECESSED TISSUE HOLDER (FRONT MOUNT)



THE LIGATURE-RESISTANT SKIRT IS A WELDED STAINLESS SHROUD EXTENDING FROM THE OUTER EDGE OF THE TOILET BOWL DOWN TO THE FLOOR. THIS OPTION ADDS LIGATURE-RESISTANT DESIGN BY ELIMINATING THE AREA UNDER THE BOWL

(SK)- LIGATURE-RESISTANT TOILET SKIRT

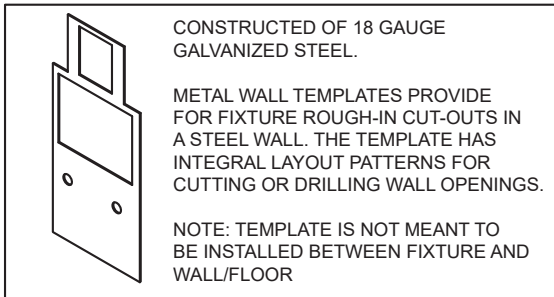


THIS OPTION PROVIDES A STAINLESS STEEL SHIPPING COVER FOR TOILET BOWLS.

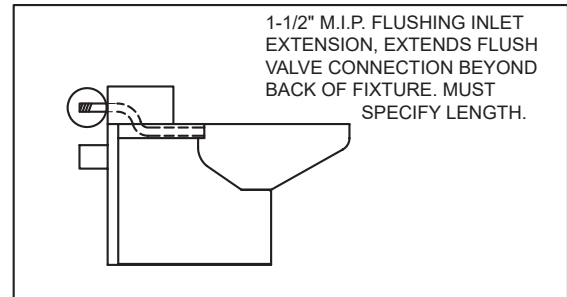
COVERS ARE DESIGNED TO LIMIT POSSIBLE INSERTION OF FOREIGN MATERIAL INTO THE FIXTURE PRIOR TO FACILITY STARTUP.

(TSC)- TOILET SHIPPING COVER

OPTIONS (CONTINUED)



(MT)- WALL TEMPLATE



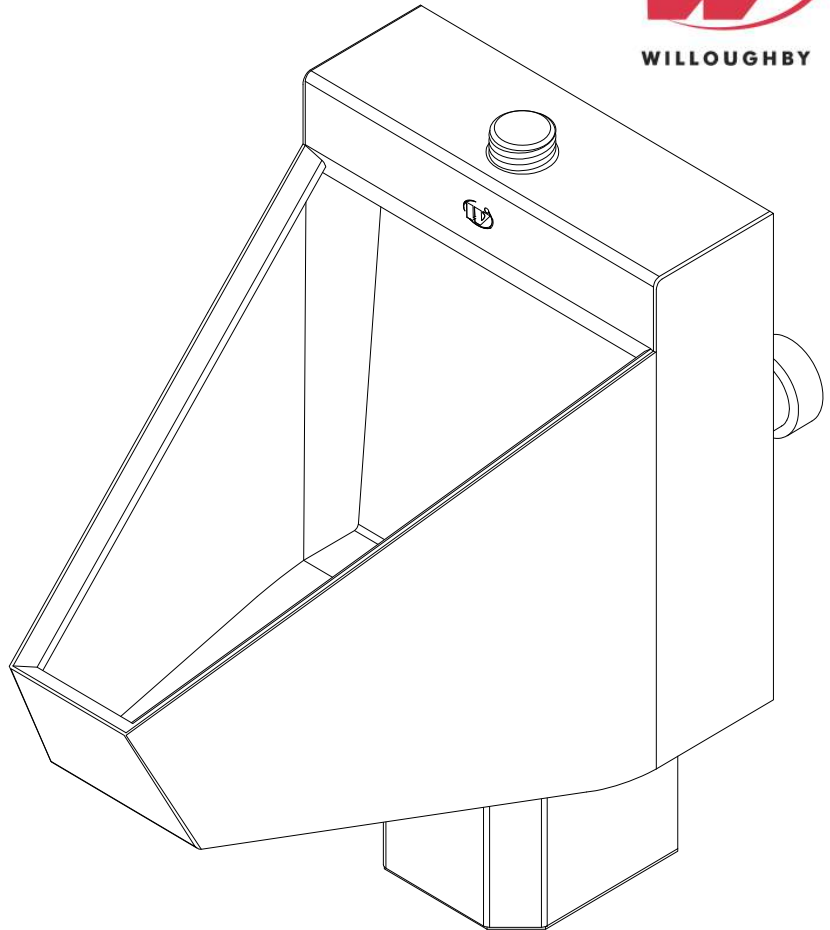
(TFE)- TOILET FLUSH EXTENSION



(Page Intentionally Left Blank)



UW-1412-BJ Single Person Rear Mounted Blowout Flush Straddle Urinal



(Unit may be shown with optional features)

To specify fixture and accessories, use the Model Number and Options page.
Example: To specify a Single Person, Rear Mounted, Blowout Flush Straddle Urinal with top spud, wall sleeve, and hydraulic flush valve
Use the following Willoughby Model Number:
UW-1412-BJ-TS-WS-FV

Recommended Specifications

Single Person, Rear Mounted, Blowout Flush Straddle Urinal shall be: Willoughby Model No. **UW-1412-BJ**
(Select from model number and options list on next page)

Fixture is fabricated from 14 GA., Type 304 stainless steel. The construction shall be all-welded with exposed stainless surfaces polished to a #4 satin finish.

Standard equipment shall include:
- Full perimeter 360° flushing rim
- Integral stainless steel P-trap

Urinal shall be blowout type which requires 25 PSI minimum flushing pressure. Trap shall be fully enclosed and maintain a 3" seal.

Anchoring shall be by a standard 4-point system: threaded rods, nuts and washers furnished for walls up to 8" thick.

Unit requires chase area for installation and maintenance.

visit our website at www.willoughby-ind.com
5105 West 78th Street • Indianapolis, IN. 46268
(317) 875-0830 • Fax: (317) 875-0837 • (800) 428-4065



MADE IN THE U.S.A.

MODEL NUMBER AND OPTIONS:

1.) Base Model Number:

- UW-1412-BJ Single Person, Rear Mounted, Blowout Flush Straddle Urinal

2.) Inlet Location:

- BS Back Spud
 TS Top Spud

3.) Flush Valve GPF (Must Specify):

- 1.5 GPF
 1.0 GPF Low Flow

4.) Options:

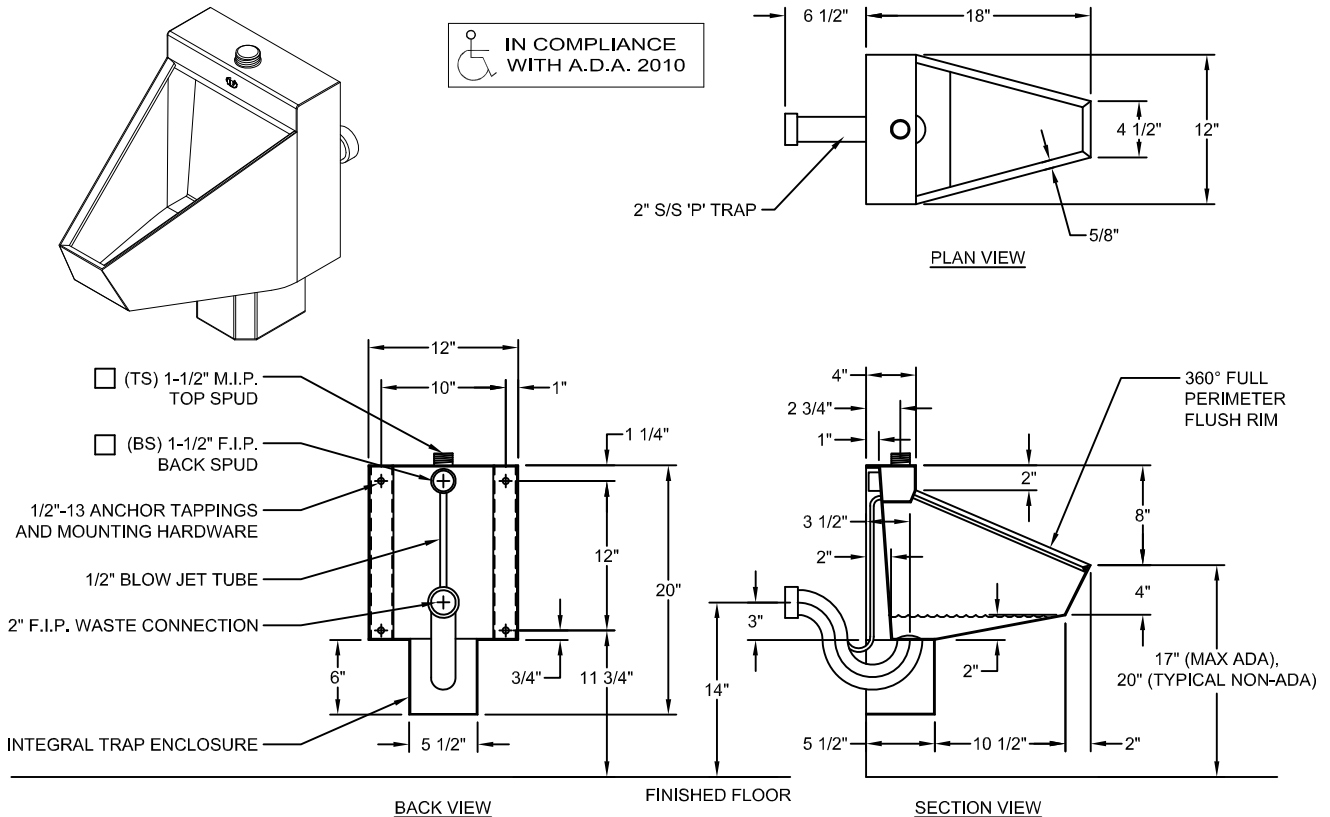
- MT Wall Template
 WS Wall Sleeve (Requires Accessible Chase)
 FV Hydraulic Flush Valve (Includes Actuator)
 EFV Electronic Flush Valve (Pick Control)*
 EFVP Electronic Flush Valve w/ (PZPB) Piezo Push Button (Pick Control)*
 ASUFVC Ligature-resistant Urinal Flush Valve Cover (Top Spud Only)
 FVT Flush Valve Connection (Back Spud Only)
 AP Flush Valve Access Panel (Allows access to chase mounted flush valve from fixture side)
 TF24H Hard-wired Transformer, 110VAC to 24VAC*
 TF24P Plug-in Transformer, 110VAC to 24VAC*
 Other _____
 Other _____

5.) Electronic Controls* (Must Use Electronic Flush Valve):

- WUFC-4000 Pneutronic WMSII
 *(Req. 110V power through ground fault interrupter (GFCI) receptacle)

Approved For Manufacturing By: _____ Date: _____ Company: _____
 Wall Thickness: _____ Wall Type: _____

VERIFY ALL DIMENSIONS WITH FACTORY PRIOR TO ROUGH-IN
 WILLOUGHBY RESERVES THE RIGHT TO MAKE CHANGES IN DESIGN AND DIMENSIONS WITHOUT FORMAL NOTICE AND WITHOUT INCURRING OBLIGATION.

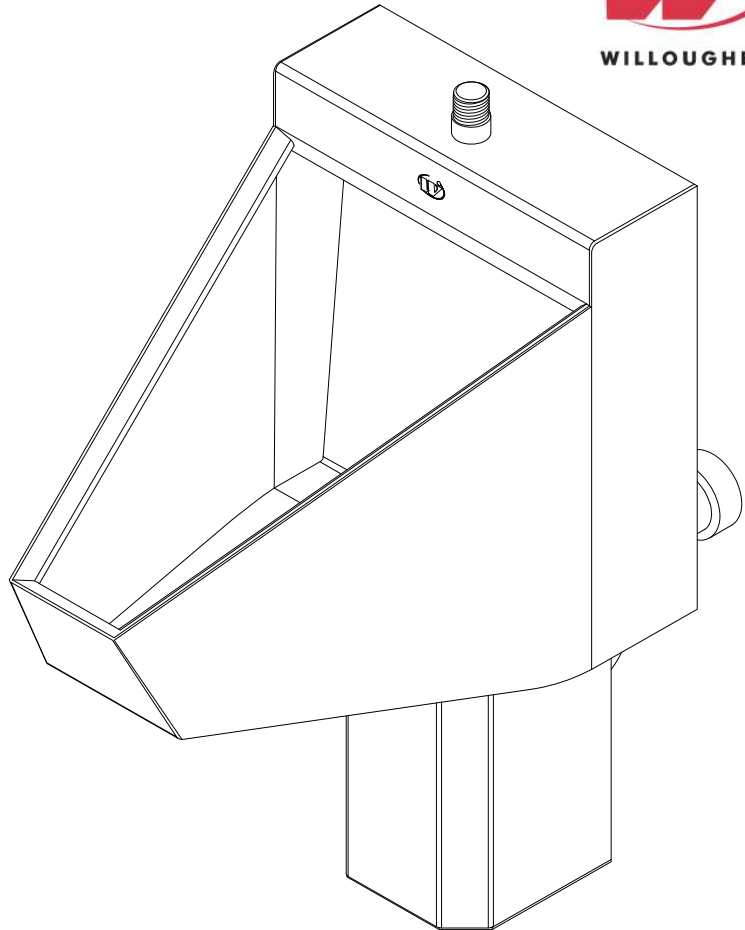


visit our website at www.willoughby-ind.com
 5105 West 78th Street • Indianapolis, IN. 46268
 (317) 875-0830 • Fax: (317) 875-0837 • (800) 428-4065



MADE IN THE U.S.A.

UW-1412-WO Single Person Rear Mounted Washout Flush Straddle Urinal



(Unit may be shown with optional features)

To specify fixture and accessories, use the Model Number and Options page.

Example: To specify a Single Person, Rear Mounted, Washout Flush Straddle Urinal with top spud, 1.0 GPF, wall sleeve, and hydraulic flush valve

Use the following Willoughby Model Number:
UW-1412-WO-TS-1.0-WS-FV

Recommended Specifications

Single Person, Rear Mounted, Washout Flush Straddle Urinal shall be: Willoughby Model No. **UW-1412-WO** (Select from model number and options list on next page)

Fixture is fabricated from 14 GA., Type 304 stainless steel. The construction shall be all-welded with exposed stainless surfaces polished to a #4 satin finish.

Standard equipment shall include:

- Full perimeter 360° flushing rim
- Beehive strainer
- Integral stainless steel P-trap

Urinal shall be washout type which requires 25 PSI minimum flushing pressure. Trap shall be fully enclosed and maintain a 3" seal.

Anchoring shall be by a standard 4-point system: threaded rods, nuts and washers furnished for walls up to 8" thick.

Unit requires chase area for installation and maintenance.

MODEL NUMBER AND OPTIONS:

1.) Base Model Number:

- UW-1412-WO Single Person, Rear Mounted, Washout Flush Straddle Urinal

2.) Inlet Location:

- BS Back Spud
 TS Top Spud

3.) Flush Valve GPF (Must Specify):

- 1.0 GPF Low Flow
 0.5 GPF High Efficiency (HEU)

4.) Options:

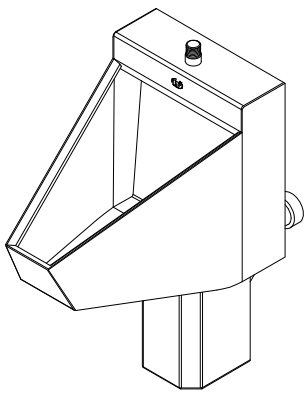
- MT Wall Template
 WS Wall Sleeve (Requires Accessible Chase)
 FV Hydraulic Flush Valve (Includes Actuator)
 EFV Electronic Flush Valve (Pick Control)*
 EFVP Electronic Flush Valve w/ (PZPB) Piezo Push Button (Pick Control)*
 ASUFVC Ligature-resistant Urinal Flush Valve Cover (Top Spud Only)
 FVT Flush Valve Connection (Back Spud Only)
 AP Flush Valve Access Panel (Allows access to chase mounted flush valve from fixture side)
 TF24H Hard-wired Transformer, 110VAC to 24VAC*
 TF24P Plug-in Transformer, 110VAC to 24VAC*
 Other _____
 Other _____

5.) Electronic Controls* (Must Use Electronic Flush Valve):

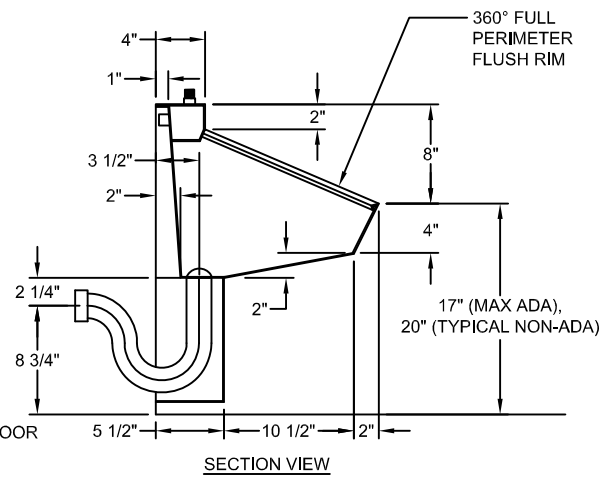
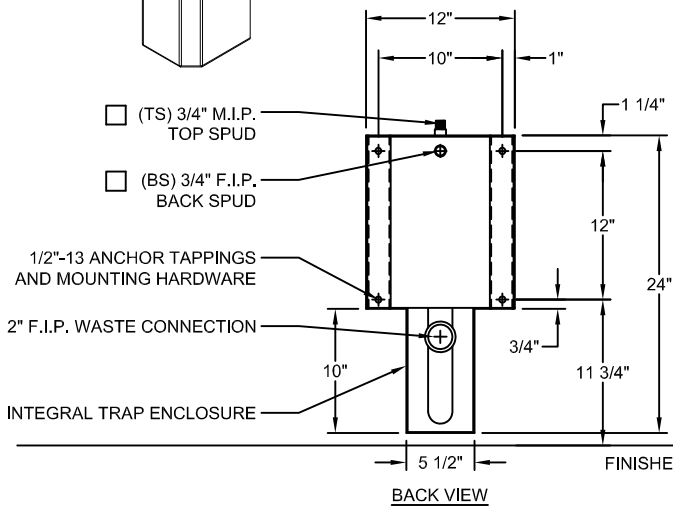
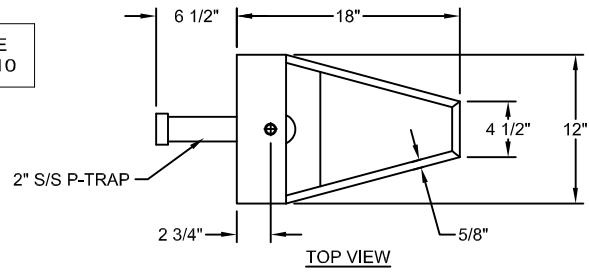
- WUFC-4000 Pneutronic WMSII
 *(Req. 110V power through ground fault interrupter (GFCI) receptacle)

Approved For Manufacturing By: _____ Date: _____ Company: _____
 Wall Thickness: _____ Wall Type: _____

VERIFY ALL DIMENSIONS WITH FACTORY PRIOR TO ROUGH-IN
 WILLOUGHBY RESERVES THE RIGHT TO MAKE CHANGES IN DESIGN AND DIMENSIONS WITHOUT FORMAL NOTICE AND WITHOUT INCURRING OBLIGATION.



IN COMPLIANCE WITH A.D.A. 2010

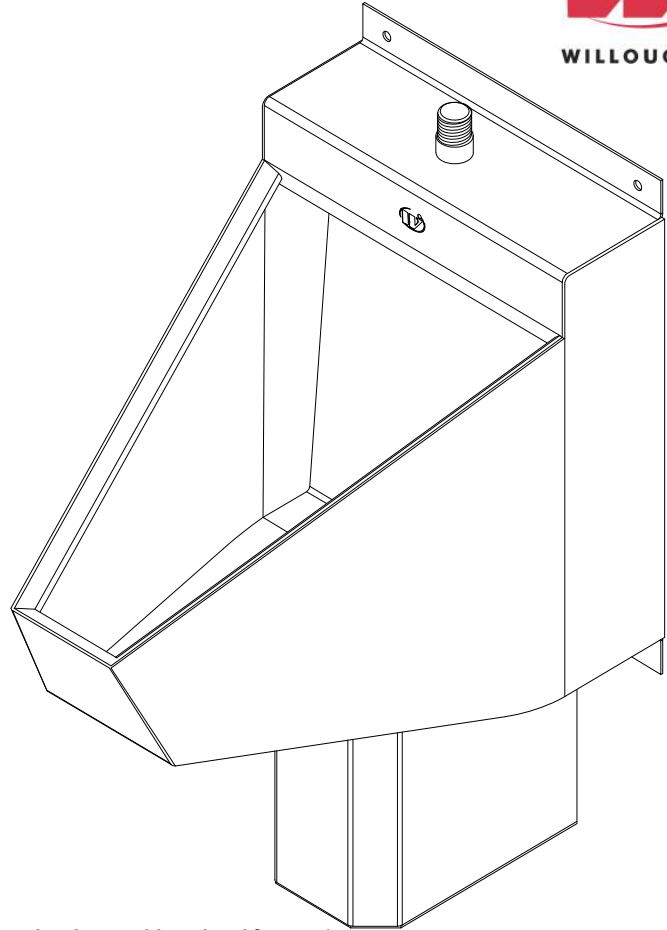


visit our website at www.willoughby-ind.com
 5105 West 78th Street • Indianapolis, IN. 46268
 (317) 875-0830 • Fax: (317) 875-0837 • (800) 428-4065



MADE IN THE U.S.A.

UW-1412-WO-FA Single Person Front Mounted Washout Flush Straddle Urinal



(Unit may be shown with optional features)

To specify fixture and accessories, use the Model Number and Options page.

Example: To specify a Single Person, Front Mounted, Washout Flush Straddle Urinal with top spud, 1.0 GPF, wall template, and hydraulic flush valve

Use the following Willoughby Model Number:
UW-1412-WO-FA-TS-1.0-MT-FV

Recommended Specifications

Single Person, Front Mounted, Washout Flush Straddle Urinal shall be: Willoughby Model No. **UW-1412-WO-FA** (Select from model number and options list on next page)

Fixture is fabricated from 14 GA., Type 304 stainless steel. The construction shall be all-welded with exposed stainless surfaces polished to a #4 satin finish.

Standard equipment shall include:

- Full perimeter 360° flushing rim
- Beehive strainer
- 1-1/2" F.I.P. slip-joint P-trap
- Removable P-trap access

Urinal shall be washout type which requires 25 PSI minimum flushing pressure. Trap shall be fully enclosed and maintain a 3" seal.

Anchoring shall be from the front with anchoring hardware by others.

Unit requires no chase area for installation and maintenance unless specified with any options requiring an accessible chase.



MODEL NUMBER AND OPTIONS:

1.) Base Model Number:

UW-1412-WO-FA Single Person, Front Mounted, Washout Flush Straddle Urinal

2.) Inlet Location:

BS Back Spud
 TS Top Spud

3.) Flush Valve GPF (Must Specify):

1.0 GPF Low Flow
 0.5 GPF High Efficiency (HEU)

4.) Options:

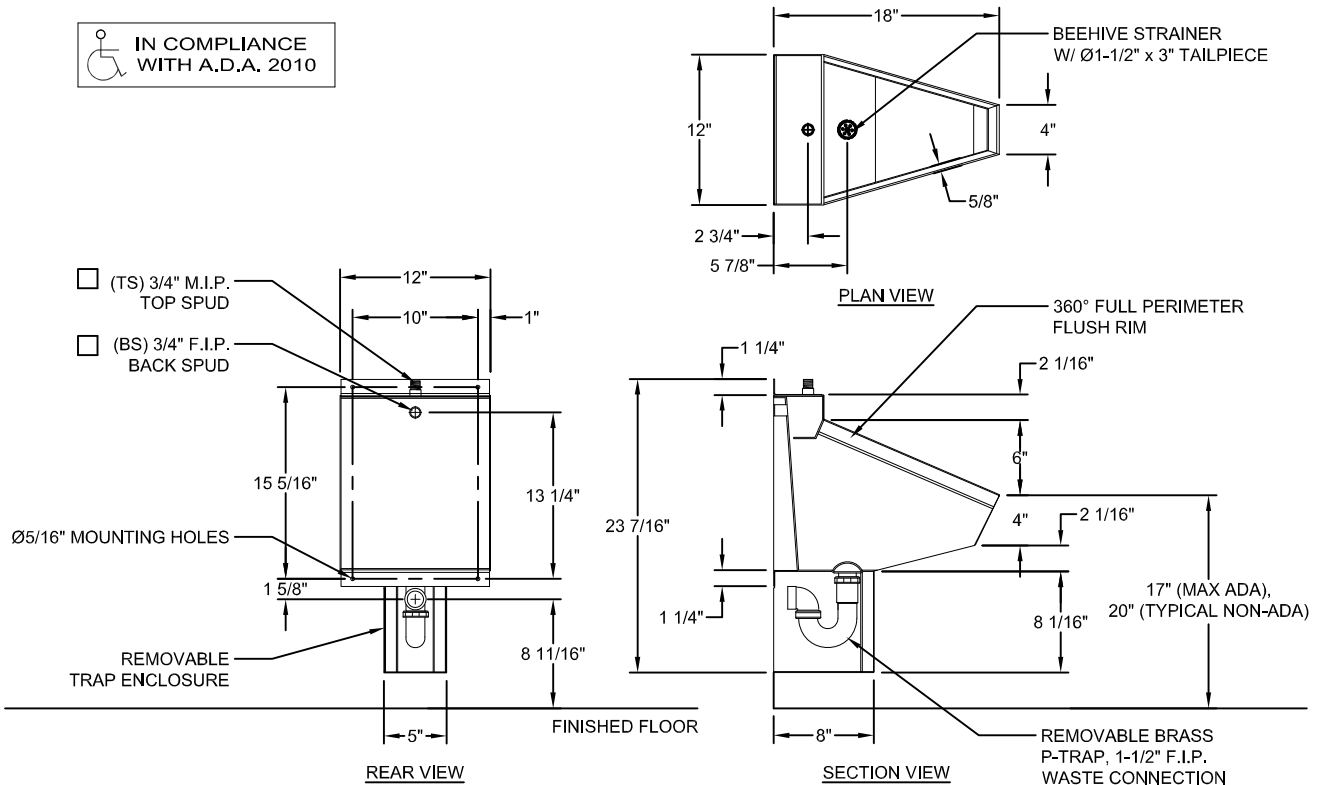
MT Wall Template
 FV Hydraulic Flush Valve (Includes Actuator)
 EFV Electronic Flush Valve (Pick Control)*
 EFVP Electronic Flush Valve w/ (PZPB) Piezo Push Button (Pick Control)*
 ASUFVC Ligature-resistant Urinal Flush Valve Cover (Top Spud Only)
 FVT Flush Valve Connection (Back Spud Only)
 AP Flush Valve Access Panel (Allows access to chase mounted flush valve from fixture side)
 TF24H Hard-wired Transformer, 110VAC to 24VAC*
 TF24P Plug-in Transformer, 110VAC to 24VAC*
 Other _____
 Other _____

5.) Electronic Controls* (Must Use Electronic Flush Valve):

WUFC-4000 Pneutronic WMSII
 *(Req. 110V power through ground fault interrupter (GFCI) receptacle)

Approved For Manufacturing By: _____ Date: _____ Company: _____
 Wall Thickness: _____ Wall Type: _____

VERIFY ALL DIMENSIONS WITH FACTORY PRIOR TO ROUGH-IN
 WILLOUGHBY RESERVES THE RIGHT TO MAKE CHANGES IN DESIGN AND DIMENSIONS WITHOUT FORMAL NOTICE AND WITHOUT INCURRING OBLIGATION.

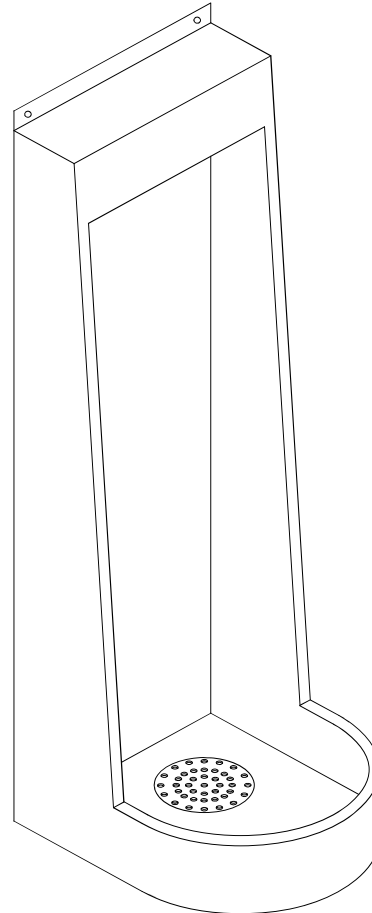


visit our website at www.willoughby-ind.com
 5105 West 78th Street • Indianapolis, IN. 46268
 (317) 875-0830 • Fax: (317) 875-0837 • (800) 428-4065



MADE IN THE U.S.A.

UF-1438 Single Person Floor Mounted Stall Urinal



(Unit may be shown with optional features)

To specify fixture and accessories, use the Model Number and Options page.

Example: To specify a Single Person, Floor Mounted Stall Urinal with back spud, hydraulic flush valve, flush valve connection, and flush valve access panel

Use the following Willoughby Model Number:
UF-1438-BS-FV-FVT-AP

Recommended Specifications

Single Person, Floor Mounted Stall Urinal shall be:
Willoughby Model No. **UF-1438**
(Select from model number and options list on next page)

Fixture is fabricated from 14 GA., Type 304 stainless steel. The construction shall be all-welded with exposed stainless surfaces polished to a #4 satin finish.

Standard equipment shall include:
- Full perimeter 360° flushing rim
- Flat strainer

Urinal shall be washout type which requires 25 PSI minimum flushing pressure. Waste connection shall be 2" caulk type.

Anchoring shall be from the front with anchoring hardware by others.

Unit requires no chase area for installation and maintenance unless specified with (BS) Back Spud or any other options requiring an accessible chase.

visit our website at www.willoughby-ind.com

5105 West 78th Street • Indianapolis, IN. 46268
(317) 875-0830 • Fax: (317) 875-0837 • (800) 428-4065



MADE IN THE U.S.A.

MODEL NUMBER AND OPTIONS:

1.) Base Model Number:

UF-1438 Single Person, Floor Mounted Stall Urinal

2.) Inlet Location:

BS Back Spud
 TS Top Spud

3.) Flush Valve GPF (Must Specify):

1.0 GPF Low Flow

4.) Options:

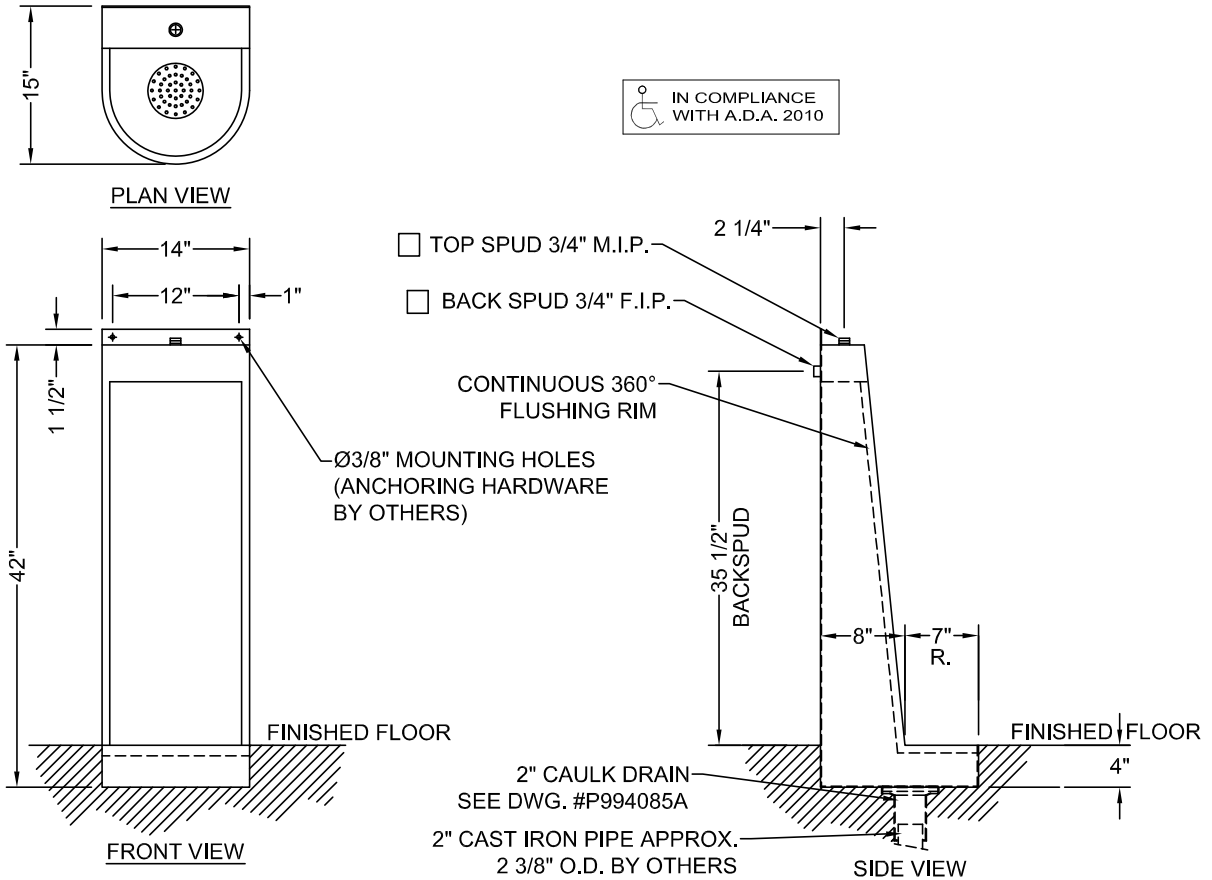
MT Wall Template
 FV Hydraulic Flush Valve (Includes Actuator)
 EFV Electronic Flush Valve (Pick Control)*
 EFVP Electronic Flush Valve w/ (PZPB) Piezo Push Button (Pick Control)*
 ASUFVC Ligature-resistant Urinal Flush Valve Cover (Top Spud Only)
 FVT Flush Valve Connection (Back Spud Only)
 AP Flush Valve Access Panel (Allows access to chase mounted flush valve from fixture side)
 TF24H Hard-wired Transformer, 110VAC to 24VAC*
 TF24P Plug-in Transformer, 110VAC to 24VAC*
 Other _____
 Other _____

5.) Electronic Controls* (Must Use Electronic Flush Valve):

WUFC-4000 Pneutronic WMSII
 *(Req. 110V power through ground fault interrupter (GFCI) receptacle)

Approved For Manufacturing By: _____ Date: _____ Company: _____
 Wall Thickness: _____ Wall Type: _____

VERIFY ALL DIMENSIONS WITH FACTORY PRIOR TO ROUGH-IN
 WILLOUGHBY RESERVES THE RIGHT TO MAKE CHANGES IN DESIGN AND DIMENSIONS WITHOUT FORMAL NOTICE AND WITHOUT INCURRING OBLIGATION.

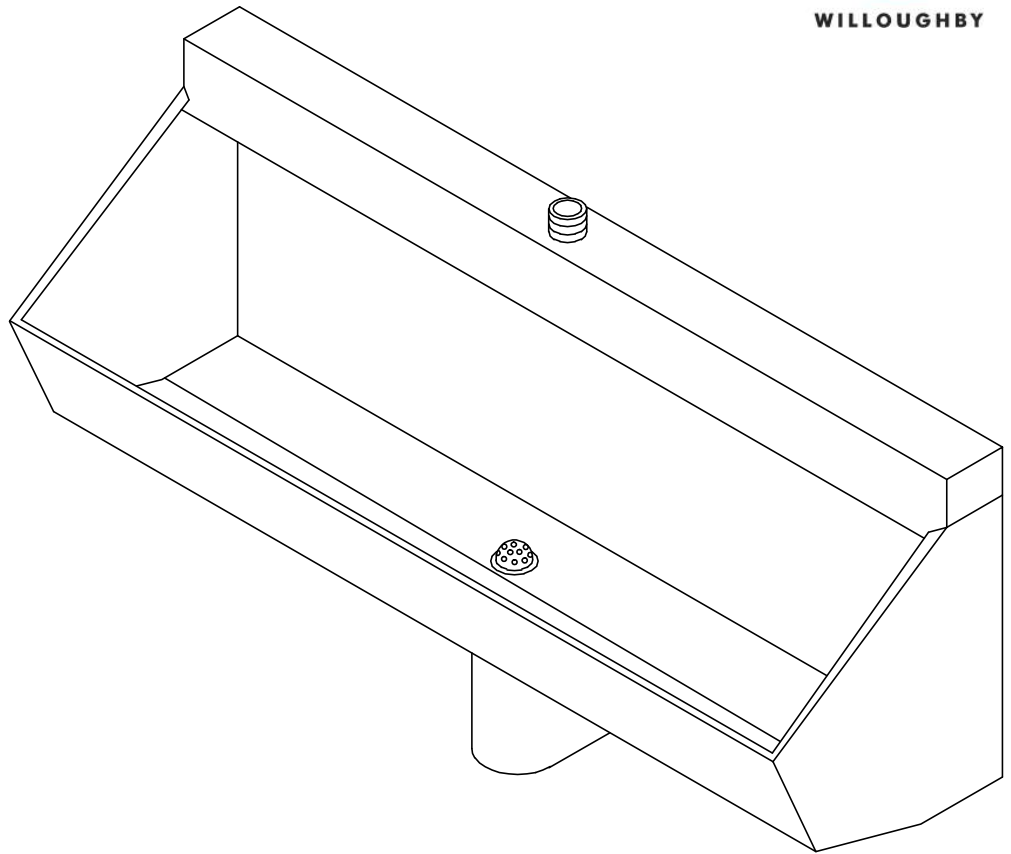


visit our website at www.willoughby-ind.com
 5105 West 78th Street • Indianapolis, IN. 46268
 (317) 875-0830 • Fax: (317) 875-0837 • (800) 428-4065



MADE IN THE U.S.A.

UW-1800 Series Multi-Person Rear Mounted Washout Trough Urinal



(Unit may be shown with optional features)

To specify fixture and accessories, use the Model Number and Options page.

Example: To specify a Multi-Person, Rear Mounted, Washout Trough Urinal, 36" length with top spud, wall sleeve, and hydraulic flush valve

Use the following Willoughby Model Number:

UW-1836-TS-WS-FV

Recommended Specifications

Multi-Person, Rear Mounted, Washout Trough Urinal shall be:
Willoughby Model No. **UW-18**____
(Select from model number and options list on next page)

Fixture is fabricated from 14 GA., Type 304 stainless steel. The construction shall be all-welded with exposed stainless surfaces polished to a #4 satin finish.

Standard equipment shall include:

- Full perimeter 360° flushing rim
- Beehive strainer
- Integral stainless steel P-trap

Urinal shall be washout type which requires 25 PSI minimum flushing pressure. Trap shall be fully enclosed (with a removable access cover) and maintain a 3" seal.

Anchoring shall be by a standard 8-point system: threaded rods, nuts and washers furnished for walls up to 8" thick.

Unit requires chase area for installation and maintenance.

visit our website at www.willoughby-ind.com

5105 West 78th Street • Indianapolis, IN. 46268

(317) 875-0830 • Fax: (317) 875-0837 • (800) 428-4065



MADE IN THE U.S.A.

MODEL NUMBER AND OPTIONS:

1.) Base Model Number:

- UW-1836 36" Multi-Person, Rear Mounted, Washout Trough Urinal (Wall Outlet)
- UW-1848 48" Multi-Person, "
- UW-1860 60" Multi-Person, "
- UW-1872 72" Multi-Person, "
- UW-1896 96" Multi-Person, "

2.) Inlet Location:

- BS Back Spud
- TS Top Spud

3.) Flush Valve GPF (Must Specify):

- 1.0 GPF Low Flow

4.) Options:

- MT Wall Template
- WS Wall Sleeve (Requires Accessible Chase)
- FV Hydraulic Flush Valve (Includes Actuator)
- EFV Electronic Flush Valve (Pick Control)*
- EFVP Electronic Flush Valve w/ (PZPB) Piezo Push Button (Pick Control)*
- ASUFVC Ligature-resistant Urinal Flush Valve Cover (Top Spud Only)
- FVT Flush Valve Connection (Back Spud Only)
- AP Flush Valve Access Panel (Allows access to chase mounted flush valve from fixture side)
- TF24H Hard-wired Transformer, 110VAC to 24VAC*
- TF24P Plug-in Transformer, 110VAC to 24VAC*
- Other _____

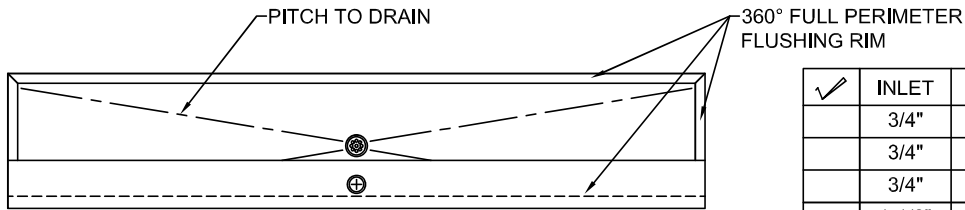
5.) Electronic Controls* (Must Use Electronic Flush Valve):

- WUFC-4000 Pneutronic WMSII

*(Req. 110V power through ground fault interrupter (GFCI) receptacle)

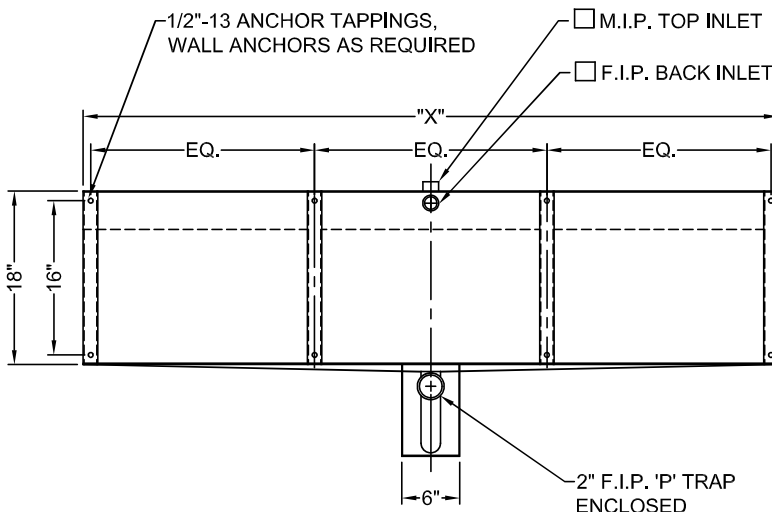
Approved For Manufacturing By: _____ Date: _____ Company: _____
 Wall Thickness: _____ Wall Type: _____

VERIFY ALL DIMENSIONS WITH FACTORY PRIOR TO ROUGH-IN
 WILLOUGHBY RESERVES THE RIGHT TO MAKE CHANGES IN DESIGN AND DIMENSIONS WITHOUT FORMAL NOTICE AND WITHOUT INCURRING OBLIGATION.

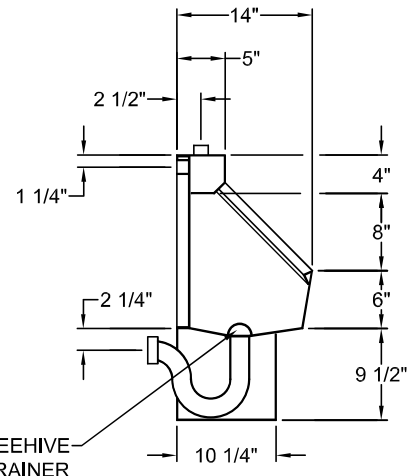


PLAN VIEW

	INLET	MODEL NO.	"X" DIM.
✓	3/4"	UW-1836	36"
	3/4"	UW-1848	48"
	3/4"	UW-1860	60"
	1-1/2"	UW-1872	72"
	1-1/2"	UW-1896	96"



REAR ELEVATION



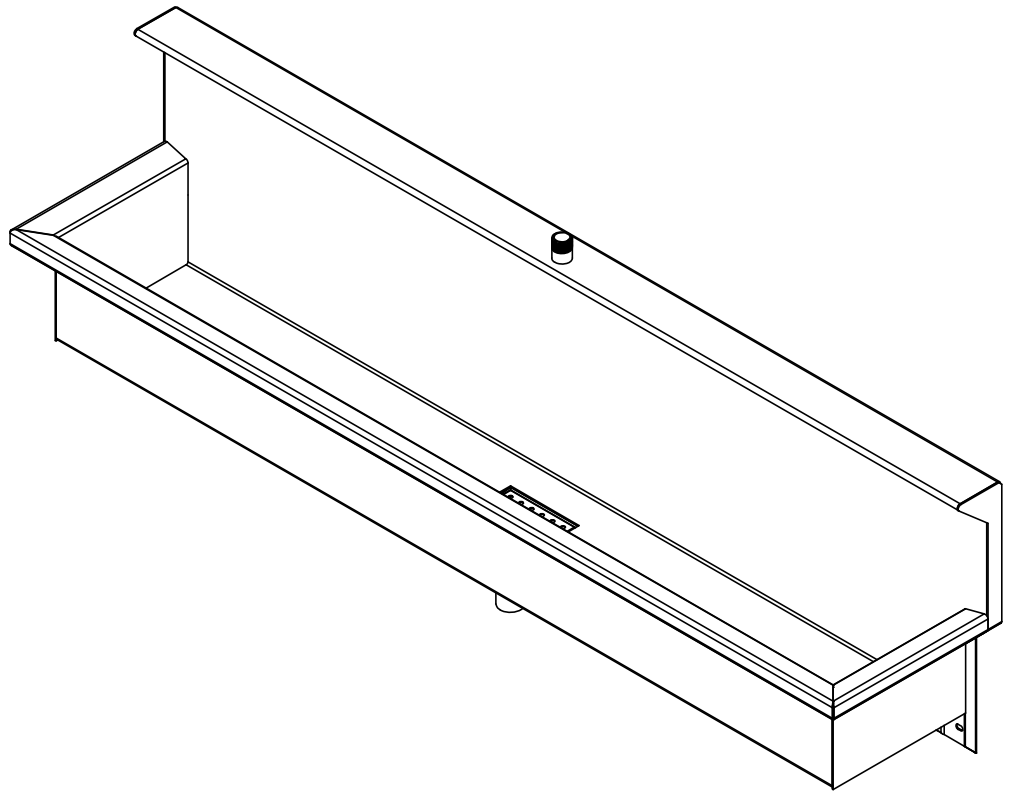
TYP. SECTION

visit our website at www.willoughby-ind.com
 5105 West 78th Street • Indianapolis, IN. 46268
 (317) 875-0830 • Fax: (317) 875-0837 • (800) 428-4065



MADE IN THE U.S.A.

UW-1800-FA Series Multi-Person Front Mounted Washout Trough Urinal



(Unit may be shown with optional features)

To specify fixture and accessories, use the Model Number and Options page.

Example: To specify a Multi-Person, Front Mounted Trough Urinal, 60" length with Top Spud

Use the following Willoughby Model Number: **UW-1860-FA-TS**

Recommended Specifications

Multi-Person, Front Mounted Trough Urinal shall be:
Willoughby Model No. **UW-18__-FA**
(Select from model number and options list on next page)

Fixture is fabricated from 14 gauge, Type 304 stainless steel.
The construction shall be all-welded with exposed stainless
surfaces polished to a #4 satin finish.

Standard equipment shall include:
- Beehive strainer with tailpiece
- Full length back wall flushing chamber with
Ø1/4" holes, spaced 1" apart

Anchoring shall be from Z-clip and anchoring holes provided.
Anchoring hardware by others.

Unit requires no chase area for installation and maintenance
unless specified with any options requiring an accessible
chase.

visit our website at www.willoughby-ind.com

5105 West 78th Street • Indianapolis, IN. 46268
(317) 875-0830 • Fax: (317) 875-0837 • (800) 428-4065



MADE IN THE U.S.A.

MODEL NUMBER AND OPTIONS:

1.) Base Model Number:

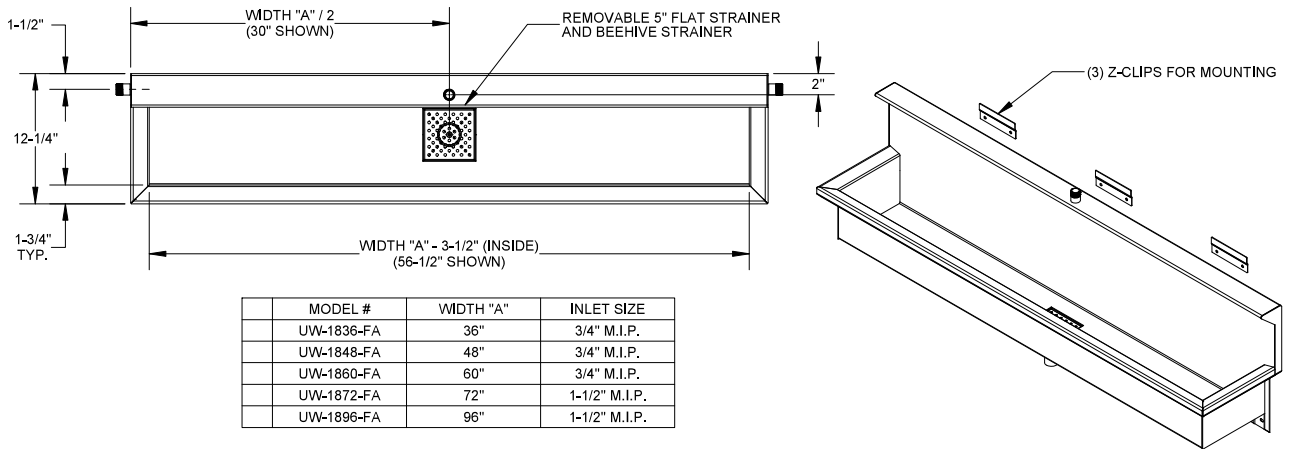
- UW-1836-FA 36" Multi-Person, Front Mounted, Washout Trough Urinal (Wall Outlet)
- UW-1848-FA 48" Multi-Person, "
- UW-1860-FA 60" Multi-Person, "
- UW-1872-FA 72" Multi-Person, "
- UW-1896-FA 96" Multi-Person, "

2.) Inlet Location:

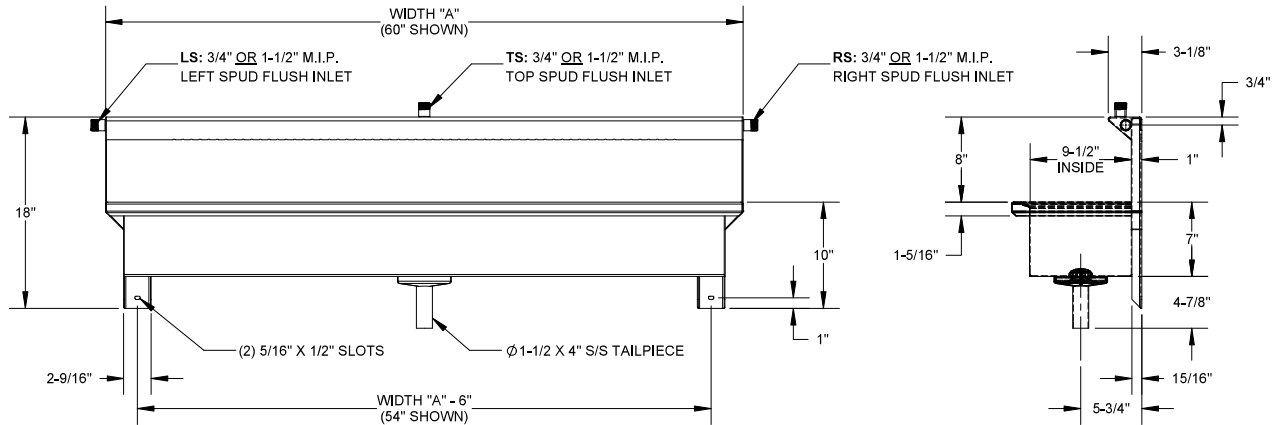
- TS Top Spud
- LS Left Spud
- RS Right Spud

Approved For Manufacturing By: _____ Date: _____ Company: _____
 Wall Thickness: _____ Wall Type: _____

VERIFY ALL DIMENSIONS WITH FACTORY PRIOR TO ROUGH-IN
 WILLOUGHBY RESERVES THE RIGHT TO MAKE CHANGES IN DESIGN AND DIMENSIONS WITHOUT FORMAL NOTICE AND WITHOUT INCURRING OBLIGATION.



MODEL #	WIDTH "A"	INLET SIZE
UW-1836-FA	36"	3/4" M.I.P.
UW-1848-FA	48"	3/4" M.I.P.
UW-1860-FA	60"	3/4" M.I.P.
UW-1872-FA	72"	1-1/2" M.I.P.
UW-1896-FA	96"	1-1/2" M.I.P.

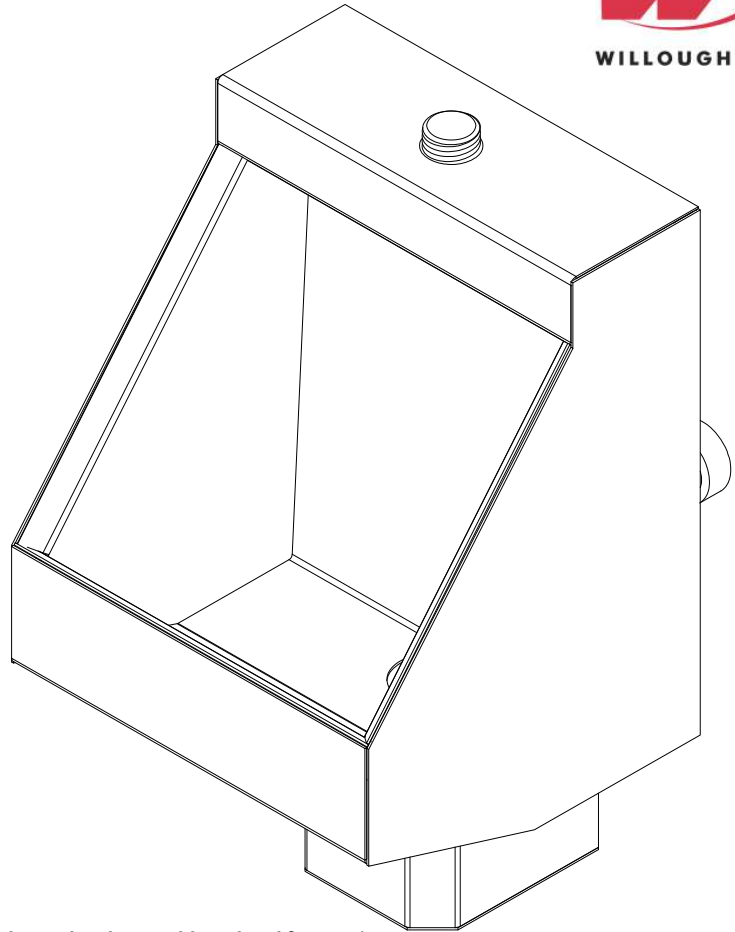


visit our website at www.willoughby-ind.com
 5105 West 78th Street • Indianapolis, IN. 46268
 (317) 875-0830 • Fax: (317) 875-0837 • (800) 428-4065



MADE IN THE U.S.A.

UW-1814-BJ Single Person Rear Mounted Blowout Flush Trough Urinal



(Unit may be shown with optional features)

To specify fixture and accessories, use the Model Number and Options page.

Example: To specify a Single Person, Rear Mounted, Blowout Flush Trough Urinal with top spud, hydraulic flush valve, and wall sleeve

Use the following Willoughby Model Number:

UW-1814-BJ-TS-FV-WS

Recommended Specifications

Single Person, Rear Mounted, Blowout Flush Trough Urinal shall be: Willoughby Model No. **UW-1814-BJ**
(Select from model number and options list on next page)

Fixture is fabricated from 14 GA., Type 304 stainless steel. The construction shall be all-welded with exposed stainless surfaces polished to a #4 satin finish.

Standard equipment shall include:

- Full perimeter 360° flushing rim
- Integral stainless steel P-trap

Urinal shall be blowout type which requires 25 PSI minimum flushing pressure. Trap shall be fully enclosed and maintain a 3" seal.

Anchoring shall be by a standard 4-point system: threaded rods, nuts and washers furnished for walls up to 8" thick.

Unit requires chase area for installation and maintenance.

visit our website at www.willoughby-ind.com

5105 West 78th Street • Indianapolis, IN. 46268

(317) 875-0830 • Fax: (317) 875-0837 • (800) 428-4065



MADE IN THE U.S.A.

MODEL NUMBER AND OPTIONS:

1.) Base Model Number:

UW-1814-BJ Single Person, Rear Mounted, Blowout Flush Trough Urinal

2.) Inlet Location:

BS Back Spud
 TS Top Spud

3.) Flush Valve GPF (Must Specify):

1.5 GPF
 1.0 GPF Low Flow

4.) Options:

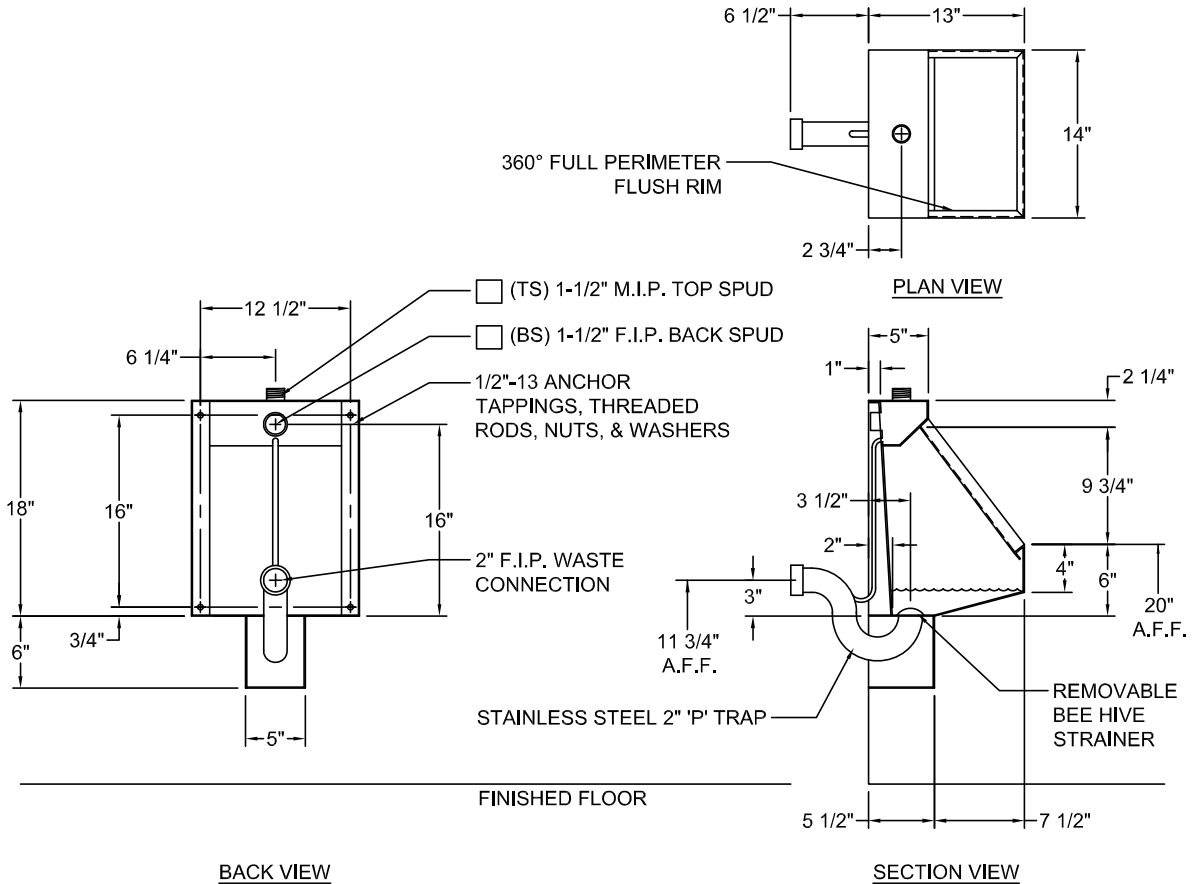
MT Wall Template
 WS Wall Sleeve (Requires Accessible Chase)
 FV Hydraulic Flush Valve (Includes Actuator)
 EFV Electronic Flush Valve (Pick Control)*
 EFVP Electronic Flush Valve w/ (PZPB) Piezo Push Button (Pick Control)*
 ASUFVC Ligature-resistant Urinal Flush Valve Cover (Top Spud Only)
 FVT Flush Valve Connection (Back Spud Only)
 AP Flush Valve Access Panel (Allows access to chase mounted flush valve from fixture side)
 TF24H Hard-wired Transformer, 110VAC to 24VAC*
 TF24P Plug-in Transformer, 110VAC to 24VAC*
 Other _____
 Other _____

5.) Electronic Controls* (Must Use Electronic Flush Valve):

WUFC-4000 Pneutronic WMSII
 *(Req. 110V power through ground fault interrupter (GFCI) receptacle)

Approved For Manufacturing By: _____ Date: _____ Company: _____
 Wall Thickness: _____ Wall Type: _____

VERIFY ALL DIMENSIONS WITH FACTORY PRIOR TO ROUGH-IN
 WILLOUGHBY RESERVES THE RIGHT TO MAKE CHANGES IN DESIGN AND DIMENSIONS WITHOUT FORMAL NOTICE AND WITHOUT INCURRING OBLIGATION.

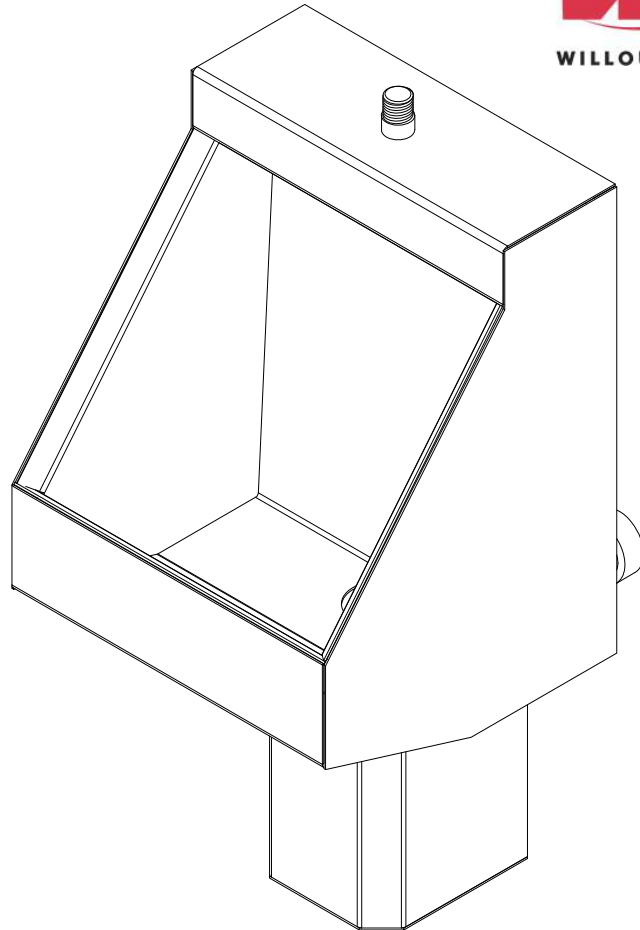


visit our website at www.willoughby-ind.com
 5105 West 78th Street • Indianapolis, IN. 46268
 (317) 875-0830 • Fax: (317) 875-0837 • (800) 428-4065



MADE IN THE U.S.A.

UW-1814-WO Single Person Rear Mounted Washout Flush Trough Urinal



(Unit may be shown with optional features)

To specify fixture and accessories, use the Model Number and Options page.

Example: To specify a Single Person, Rear Mounted, Washout Flush Trough Urinal with top spud, 1.0 GPF, wall sleeve, and hydraulic flush valve

Use the following Willoughby Model Number:

UW-1814-WO-TS-1.0-WS-FV

Recommended Specifications

Single Person, Rear Mounted, Washout Flush Trough Urinal shall be: Willoughby Model No. **UW-1814-WO**
(Select from model number and options list on next page)

Fixture is fabricated from 14 GA., Type 304 stainless steel. The construction shall be all-welded with exposed stainless surfaces polished to a #4 satin finish.

Standard equipment shall include:

- Full perimeter 360° flushing rim
- Beehive strainer
- Integral stainless steel P-trap

Urinal shall be washout type which requires 25 PSI minimum flushing pressure. Trap shall be fully enclosed and maintain a 3" seal. Urinal is manufactured to ASME A112.19.3/ CSA B45.4.

Anchoring shall be by a standard 4-point system: threaded rods, nuts and washers furnished for walls up to 8" thick.

Unit requires chase area for installation and maintenance.

visit our website at www.willoughby-ind.com

5105 West 78th Street • Indianapolis, IN. 46268

(317) 875-0830 • Fax: (317) 875-0837 • (800) 428-4065



MADE IN THE U.S.A.

MODEL NUMBER AND OPTIONS:

1.) Base Model Number:

- UW-1814-WO Single Person, Rear Mounted, Washout Flush Trough Urinal

2.) Inlet Location:

- BS Back Spud
 TS Top Spud

3.) Flush Valve GPF (Must Specify):

- 1.0 GPF Low Flow
 0.5 GPF High Efficiency (HEU)

4.) Options:

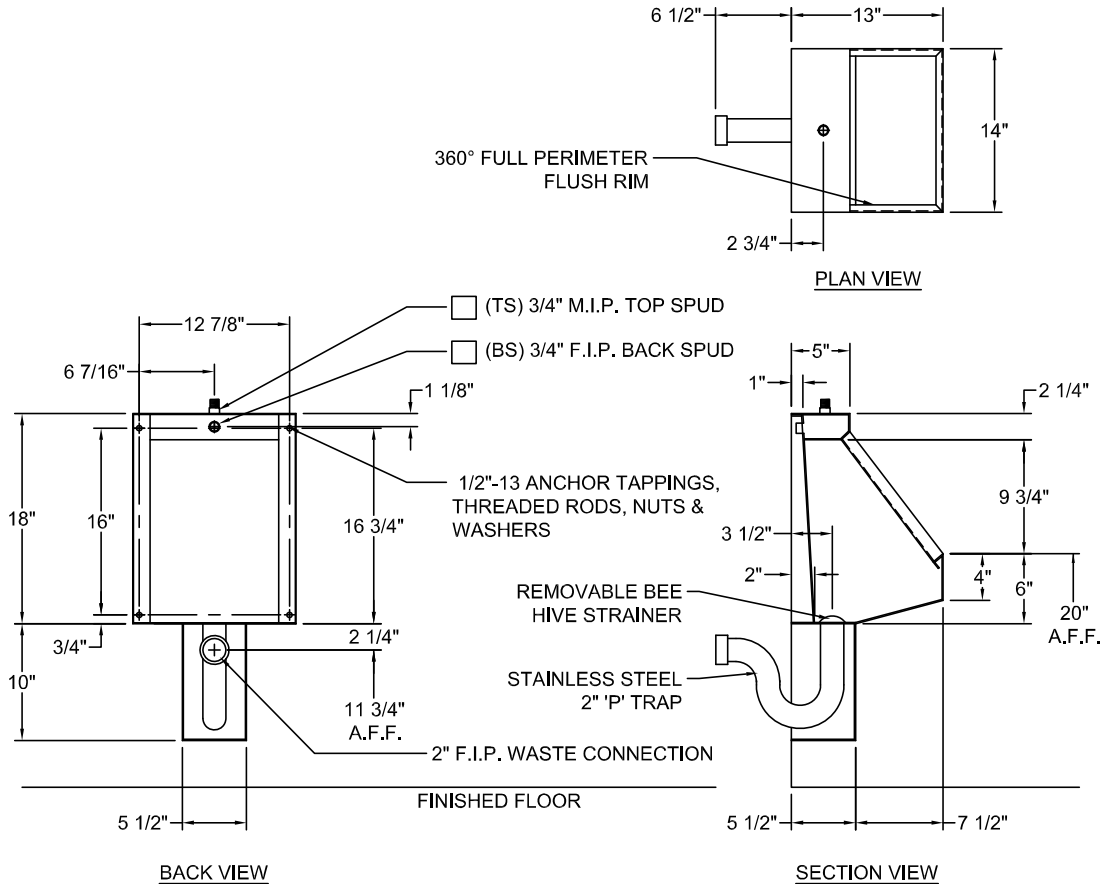
- MT Wall Template
 WS Wall Sleeve (Requires Accessible Chase)
 FV Hydraulic Flush Valve (Includes Actuator)
 EFV Electronic Flush Valve (Pick Control)*
 EFVP Electronic Flush Valve w/ (PZPB) Piezo Push Button (Pick Control)*
 ASUFVC Ligature-resistant Urinal Flush Valve Cover (Top Spud Only)
 FVT Flush Valve Connection (Back Spud Only)
 AP Flush Valve Access Panel (Allows access to chase mounted flush valve from fixture side)
 TF24H Hard-wired Transformer, 110VAC to 24VAC*
 TF24P Plug-in Transformer, 110VAC to 24VAC*
 Other _____
 Other _____

5.) Electronic Controls* (Must Use Electronic Flush Valve):

- WUFC-4000 Pneumatic WMSII
 *(Req. 110V power through ground fault interrupter (GFCI) receptacle)

Approved For Manufacturing By: _____ Date: _____ Company: _____
 Wall Thickness: _____ Wall Type: _____

VERIFY ALL DIMENSIONS WITH FACTORY PRIOR TO ROUGH-IN
 WILLOUGHBY RESERVES THE RIGHT TO MAKE CHANGES IN DESIGN AND DIMENSIONS WITHOUT FORMAL NOTICE AND WITHOUT INCURRING OBLIGATION.

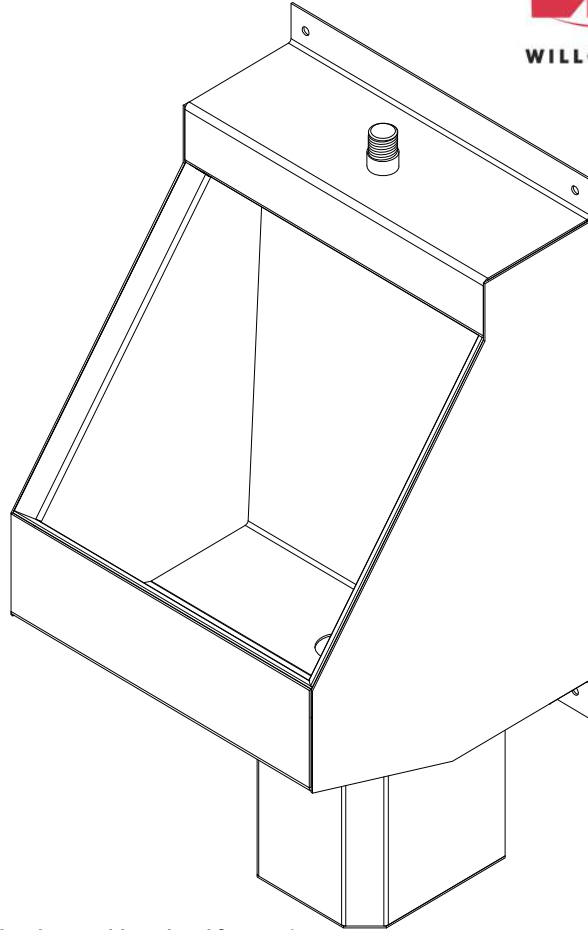


visit our website at www.willoughby-ind.com
 5105 West 78th Street • Indianapolis, IN. 46268
 (317) 875-0830 • Fax: (317) 875-0837 • (800) 428-4065



MADE IN THE U.S.A.

UW-1814-WO-FA Single Person Front Mounted Washout Flush Trough Urinal



(Unit may be shown with optional features)

To specify fixture and accessories, use the Model Number and Options page.

Example: To specify a Single Person, Front Mounted, Washout Flush Trough Urinal with top spud, 1.0 GPF, wall template, and hydraulic flush valve

Use the following Willoughby Model Number:

UW-1814-WO-FA-TS-1.0-MT-FV

Recommended Specifications

Single Person, Front Mounted, Washout Flush Trough Urinal shall be: Willoughby Model No. **UW-1814-WO-FA**
(Select from model number and options list on next page)

Fixture is fabricated from 14 GA., Type 304 stainless steel. The construction shall be all-welded with exposed stainless surfaces polished to a #4 satin finish.

Standard equipment shall include:

- Full perimeter 360° flushing rim
- Beehive strainer
- 1-1/2" slip-joint P-trap
- Removable P-trap access

Urinal shall be washout type which requires 25 PSI minimum flushing pressure. Trap shall be fully enclosed and maintain a 3" seal.

Anchoring shall be from 'Z' clip and anchoring holes provided. Anchoring hardware by others.

Unit requires no chase area for installation and maintenance unless specified with any options requiring an accessible chase.

visit our website at www.willoughby-ind.com

5105 West 78th Street • Indianapolis, IN. 46268

(317) 875-0830 • Fax: (317) 875-0837 • (800) 428-4065



MADE IN THE U.S.A.

MODEL NUMBER AND OPTIONS:

1.) Base Model Number:

UW-1814-WO-FA Single Person, Front Mounted, Washout Flush Trough Urinal

2.) Inlet Location:

BS Back Spud
 TS Top Spud

3.) Flush Valve GPF (Must Specify):

1.0 GPF Low Flow
 0.5 GPF High Efficiency (HEU)

4.) Options:

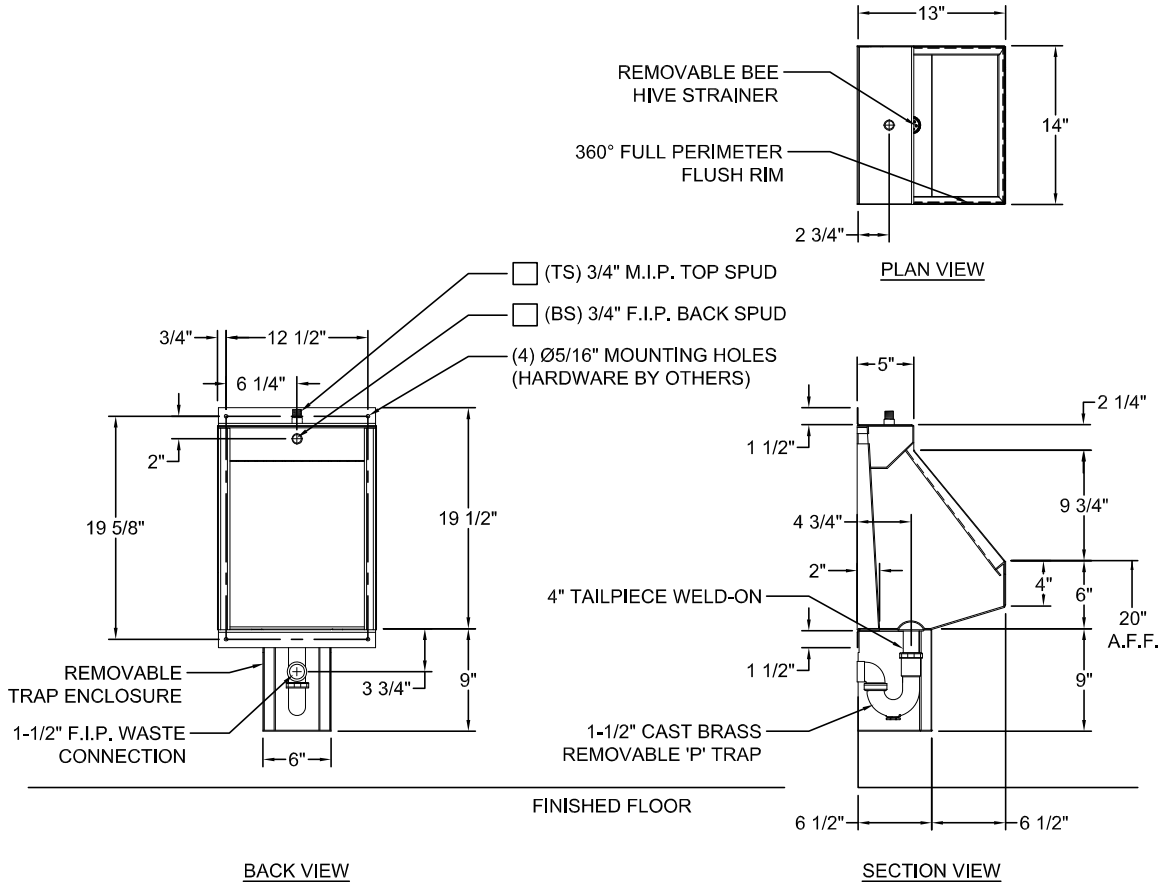
MT Wall Template
 FV Hydraulic Flush Valve (Includes Actuator)
 EFV Electronic Flush Valve (Pick Control)*
 EFVP Electronic Flush Valve w/ (PZPB) Piezo Push Button (Pick Control)*
 ASUFVC Ligature-resistant Urinal Flush Valve Cover (Top Spud Only)
 FVT Flush Valve Connection (Back Spud Only)
 AP Flush Valve Access Panel (Allows access to chase mounted flush valve from fixture side)
 TF24H Hard-wired Transformer, 110VAC to 24VAC*
 TF24P Plug-in Transformer, 110VAC to 24VAC*
 Other _____
 Other _____

5.) Electronic Controls* (Must Use Electronic Flush Valve):

WUFC-4000 Pneutronic WMSII
 *(Req. 110V power through ground fault interrupter (GFCI) receptacle)

Approved For Manufacturing By: _____ Date: _____ Company: _____
 Wall Thickness: _____ Wall Type: _____

VERIFY ALL DIMENSIONS WITH FACTORY PRIOR TO ROUGH-IN
 WILLOUGHBY RESERVES THE RIGHT TO MAKE CHANGES IN DESIGN AND DIMENSIONS WITHOUT FORMAL NOTICE AND WITHOUT INCURRING OBLIGATION.

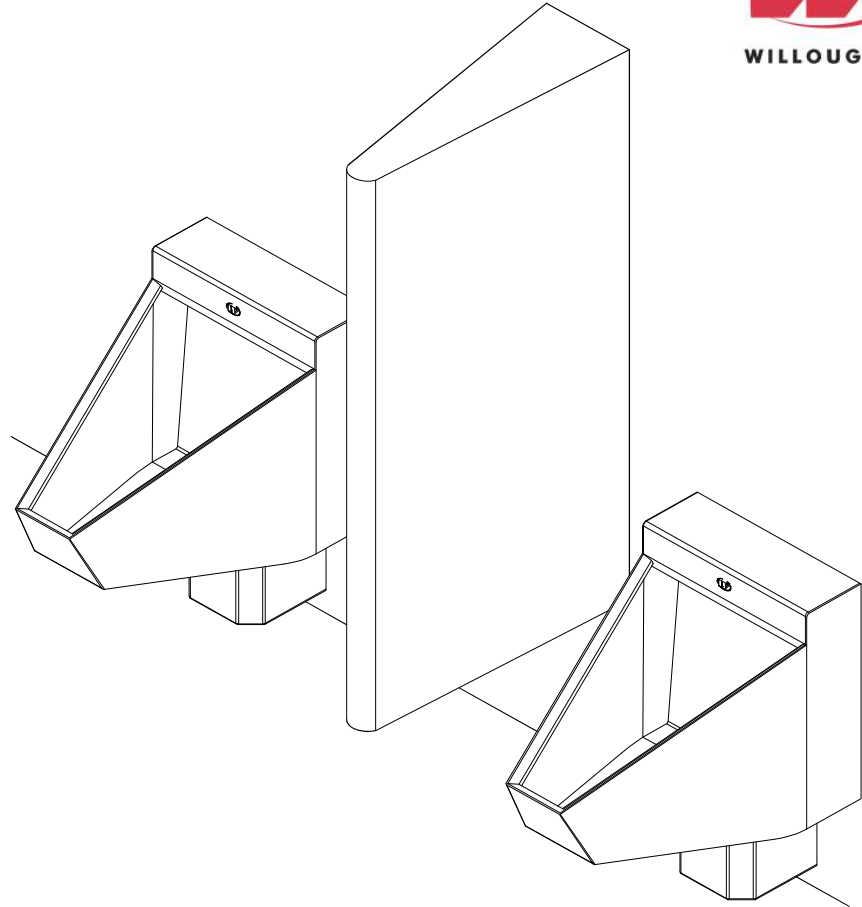


visit our website at www.willoughby-ind.com
 5105 West 78th Street • Indianapolis, IN. 46268
 (317) 875-0830 • Fax: (317) 875-0837 • (800) 428-4065



MADE IN THE U.S.A.

URS-1836 Urinal Screen



(Unit may be shown with optional features. Urinals not included)

To specify fixture and accessories, use the Model Number and Options page.

Example: To specify a Urinal Screen

Use the following Willoughby Model Number:

URS-1836

Recommended Specifications

Urinal Screen shall be:
Willoughby Model No. **URS-1836**
(Select from model number and options list on next page)

Screen is fabricated from 14 GA., Type 304 stainless steel. The construction shall be all-welded with exposed stainless surfaces polished to a #4 satin finish.

Screen interior shall be sound deadened with fire resistant material.

Anchoring shall be by standard 6 point system: threaded rods, nuts and washers furnished for walls up to 8" thick.

Screen requires chase area for installation.

visit our website at www.willoughby-ind.com

5105 West 78th Street • Indianapolis, IN. 46268

(317) 875-0830 • Fax: (317) 875-0837 • (800) 428-4065



MADE IN THE U.S.A.

MODEL NUMBER AND OPTIONS:

1.) Base Model Number:

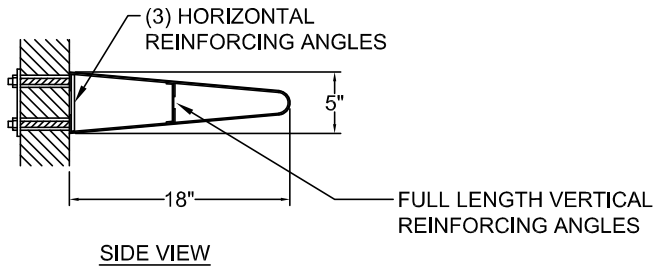
URS-1836 Urinal Screen

2.) Options:

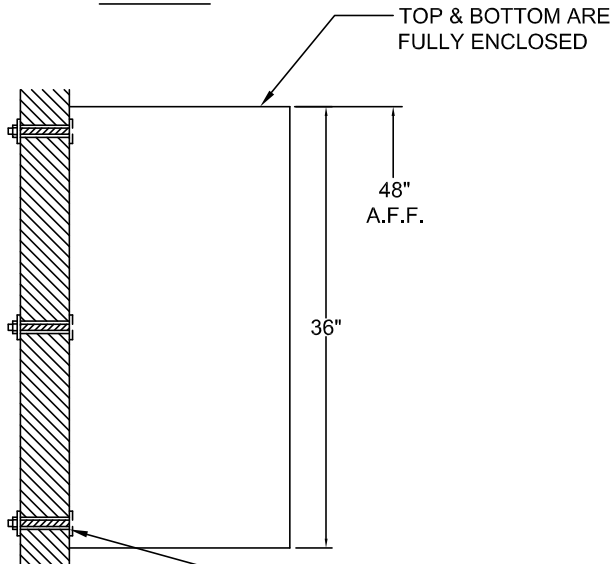
- FA Front Mounted (Does not require chase)
 Other _____
 Other _____

Approved For Manufacturing By: _____ Date: _____ Company: _____
 Wall Thickness: _____ Wall Type: _____

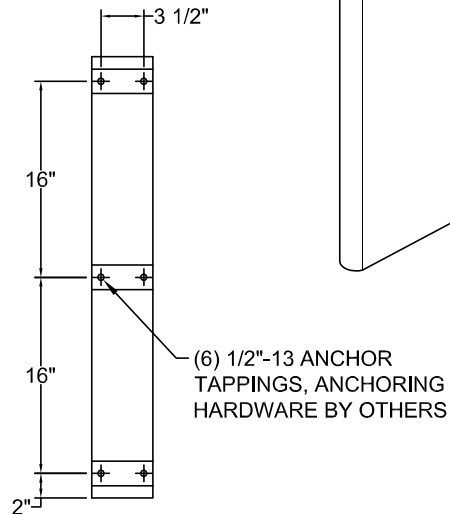
VERIFY ALL DIMENSIONS WITH FACTORY PRIOR TO ROUGH-IN
 WILLOUGHBY RESERVES THE RIGHT TO MAKE CHANGES IN DESIGN AND DIMENSIONS WITHOUT FORMAL NOTICE AND WITHOUT INCURRING OBLIGATION.



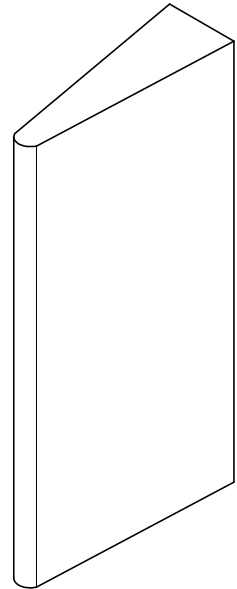
SIDE VIEW



SIDE VIEW



REAR VIEW



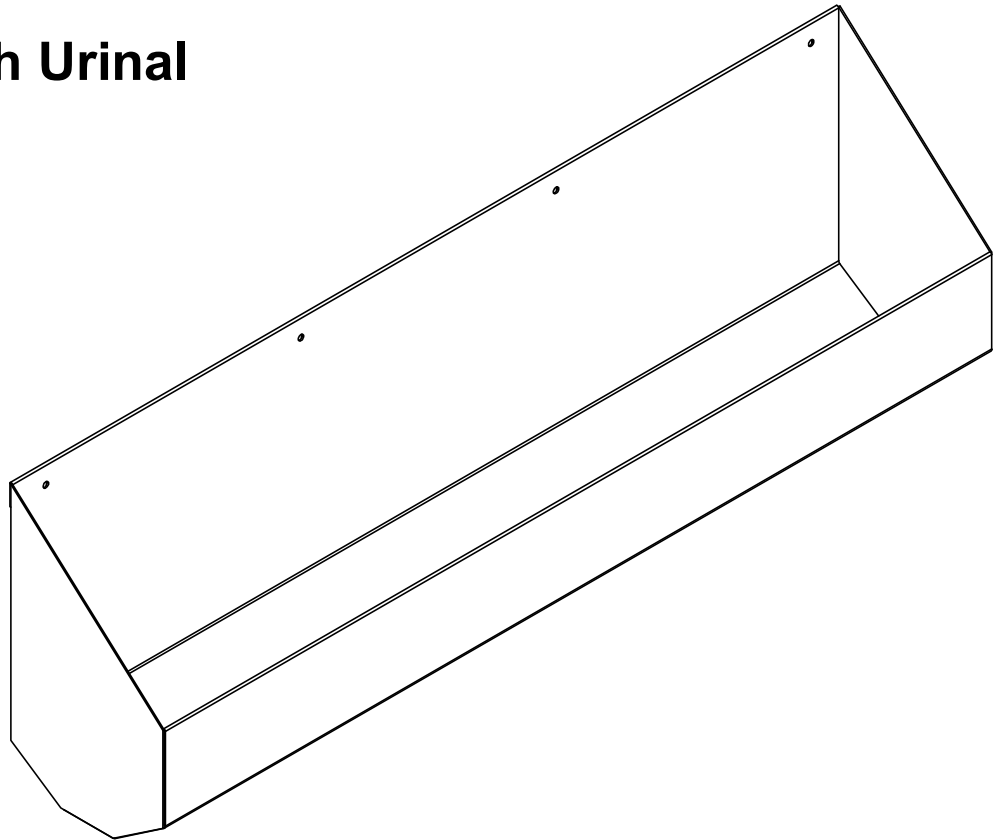
visit our website at www.willoughby-ind.com
 5105 West 78th Street • Indianapolis, IN. 46268
 (317) 875-0830 • Fax: (317) 875-0837 • (800) 428-4065



MADE IN THE U.S.A.



WWU-1500 Series Multi-Person Waterless Trough Urinal



(Unit may be shown with optional features)

To specify fixture and accessories, use the Model Number and Options page.

Example: To specify a 36" Multi-Person Waterless Trough Urinal

Use the following Willoughby Model Number:

WWU-1536

Recommended Specifications

Multi-Person Waterless Trough Urinal shall be:
Willoughby Model No. **WWU-15**____
(Select from model number and options list on next page)

Fixture is fabricated from 18 GA., Type 304 stainless steel with 14 GA., Type 304 stainless steel ends. The construction shall be all-welded with exposed stainless surfaces polished to a #4 satin finish.

Standard equipment shall include:
- Beehive strainer with Ø1-1/2", 2" long tailpiece

Anchoring shall be from the front, anchoring holes provided.
Anchor hardware by others.

Unit requires no chase area for installation and maintenance.

visit our website at www.willoughby-ind.com

5105 West 78th Street • Indianapolis, IN. 46268

(317) 875-0830 • Fax: (317) 875-0837 • (800) 428-4065



MADE IN THE U.S.A.

MODEL NUMBER AND OPTIONS:

1.) Base Model Number:

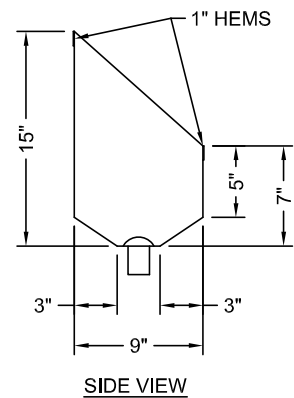
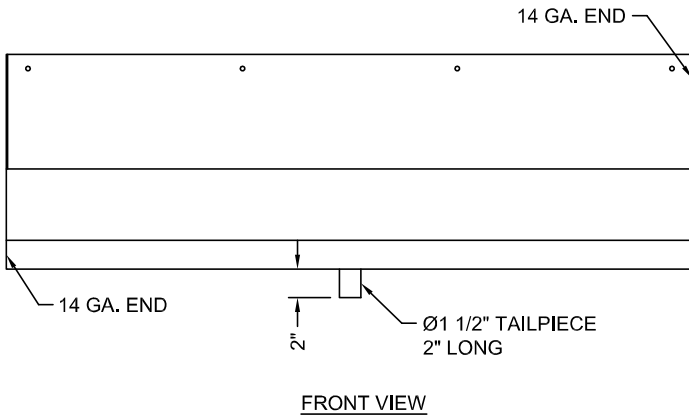
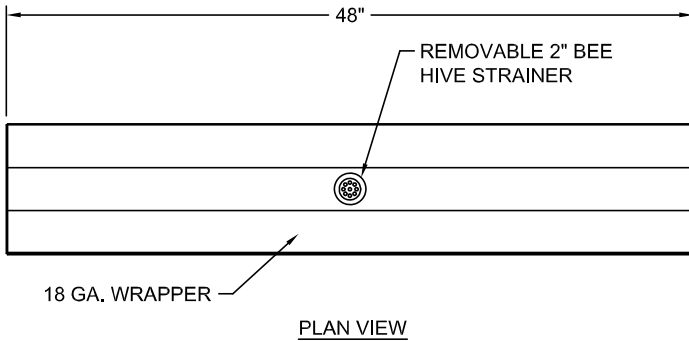
- WWU-1536 36" Multi-Person, Waterless Trough Urinal
- WWU-1548 48" Multi-Person, Waterless "
- WWU-1560 60" Multi-Person, Waterless "
- WWU-1572 72" Multi-Person, Waterless "
- WWU-1596 96" Multi-Person, Waterless "

2.) Options:

- BKSPL36 36" x 36" 14 GA. Stainless Steel Backsplash
- BKSPL48 36" x 48" 14 GA. "
- BKSPL60 36" x 60" 14 GA. "
- BKSPL72 36" x 72" 14 GA. "
- BKSPL96 36" x 96" 14 GA. "
- Other _____
- Other _____

Approved For Manufacturing By: _____ Date: _____ Company: _____
 Wall Thickness: _____ Wall Type: _____

VERIFY ALL DIMENSIONS WITH FACTORY PRIOR TO ROUGH-IN
 WILLOUGHBY RESERVES THE RIGHT TO MAKE CHANGES IN DESIGN AND DIMENSIONS WITHOUT FORMAL NOTICE AND WITHOUT INCURRING OBLIGATION.



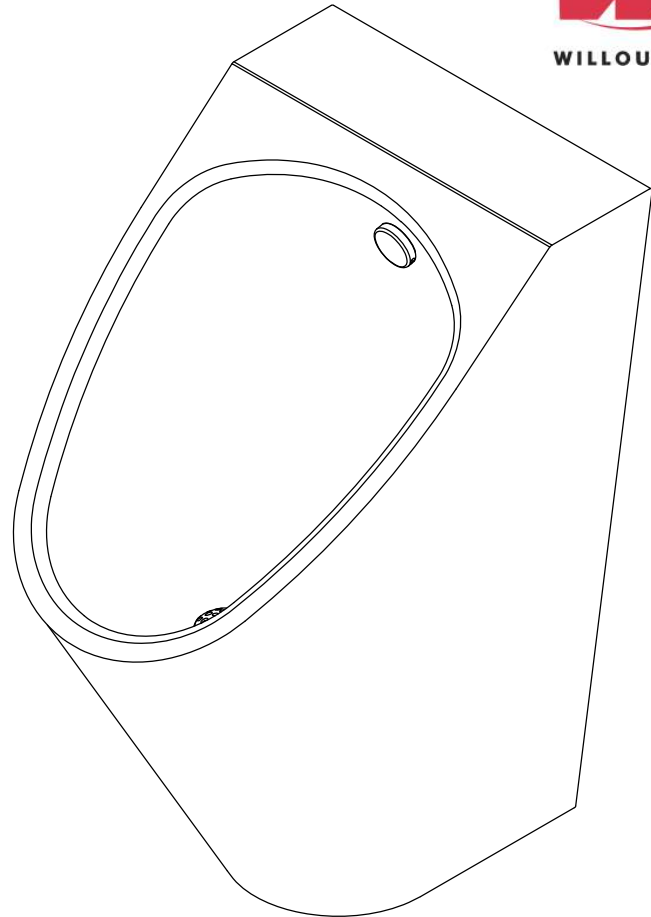
visit our website at www.willoughby-ind.com
 5105 West 78th Street • Indianapolis, IN. 46268
 (317) 875-0830 • Fax: (317) 875-0837 • (800) 428-4065



MADE IN THE U.S.A.



UW-1317-HEU Single Person Rear Mounted ADA-Compliant Contoured Washout Flush High Efficiency Urinal



(Unit may be shown with optional features)

To specify fixture and accessories, use the Model Number and Options page.

Example: To specify a Single Person, Rear Mounted, ADA-Compliant, Contoured, Washout Flush, High Efficiency Urinal with back spud, 1/8 GPF, wall sleeve, and hydraulic flush valve

Use the following Willoughby Model Number:

UW-1317-HEU-BS-0.125-WS-FV

Recommended Specifications

Single Person, Rear Mounted, ADA-Compliant, Contoured, Washout Flush, High Efficiency Urinal shall be:

Willoughby Model No. **UW-1317-HEU**

(Select from model number and options list on next page)

Fixture is fabricated from all 16 GA., Type 304 stainless steel. The construction shall be all-welded with exposed stainless steel surfaces polished to a satin finish. Contoured interior and exterior surfaces for ease of cleaning.

Standard equipment shall include:

- Machined stainless steel flush nozzle
- Beehive strainer
- Removable P-trap with 1-1/2" F.I.P. waste connection
- 3/4" N.P.T. male inlet connection

High Efficiency Urinal shall be washout type requiring 1/8 to 1/2 GPF flush valve and 25 PSI minimum flushing pressure. Trap shall be fully enclosed and maintain a 3" seal.

Anchoring shall be by a standard 4-point system: threaded rods, nuts and washers furnished for walls up to 8" thick.

Unit requires chase area for installation and maintenance.

Urinals mounted at 17" rim height to comply with ANSI, ADA and UFAS accessibility requirements. Please consult local code as compliance is subject to the interpretation and requirements of the local code authority.

visit our website at www.willoughby-ind.com

5105 West 78th Street • Indianapolis, IN. 46268

(317) 875-0830 • Fax: (317) 875-0837 • (800) 428-4065



MADE IN THE U.S.A.

MODEL NUMBER AND OPTIONS:

1.) Base Model Number:

- UW-1317-HEU Single Person, Rear Mounted, ADA-Compliant, Contoured, Washout Flush, High Efficiency Urinal

2.) Inlet Location:

- BS Back Spud
- TS Top Spud

3.) Flush Valve GPF (Must Specify):

- 0.5 GPF High Efficiency (HEU)
- 0.125 GPF High Efficiency (HEU)

4.) Options:

- MT Wall Template
- WS Wall Sleeve (Requires Accessible Chase)
- FV Hydraulic Flush Valve (Includes Actuator)
- EFV Electronic Flush Valve (Pick Control)*
- EFVP Electronic Flush Valve w/ (PZPB) Piezo Push Button (Pick Control)*
- ASUFVC Ligature-resistant Urinal Flush Valve Cover (Top Spud Only)
- AP Flush Valve Access Panel (Allows access to chase mounted flush valve from fixture side)
- TF24H Hard-wired Transformer, 110VAC to 24VAC*
- TF24P Plug-in Transformer, 110VAC to 24VAC*
- DC Decorator Color (Fixture exterior only - White)
- Other _____
- Other _____

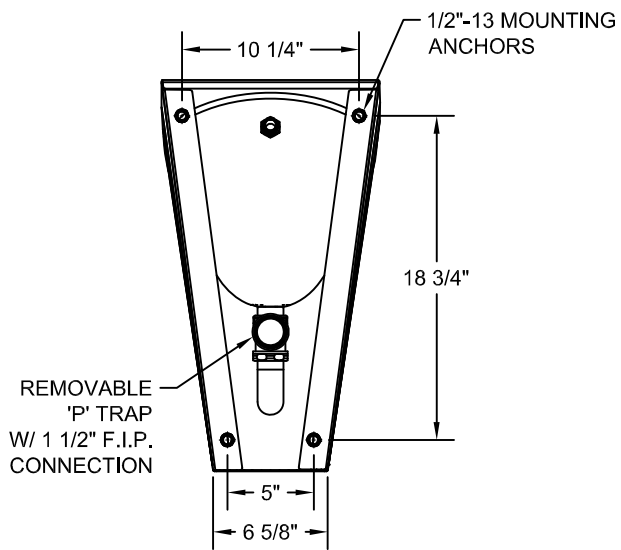
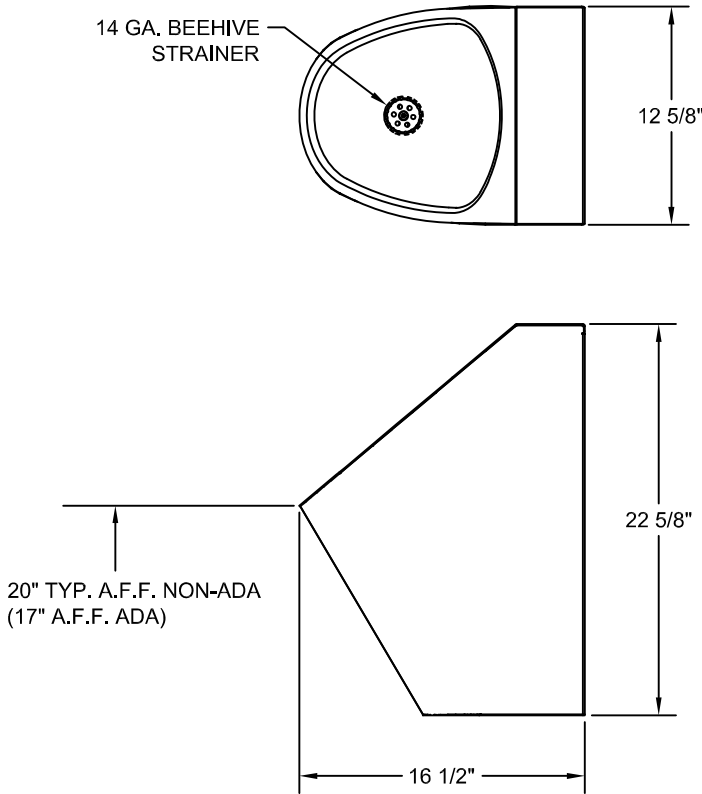
5.) Electronic Controls* (Must Use Electronic Flush Valve):

- WUFC-4000 Pneutronic WMSII

*(Req. 110V power through ground fault interrupter (GFCI) receptacle)

Approved For Manufacturing By: _____ Date: _____ Company: _____
 Wall Thickness: _____ Wall Type: _____

VERIFY ALL DIMENSIONS WITH FACTORY PRIOR TO ROUGH-IN
 WILLOUGHBY RESERVES THE RIGHT TO MAKE CHANGES IN DESIGN AND DIMENSIONS WITHOUT FORMAL NOTICE AND WITHOUT INCURRING OBLIGATION.



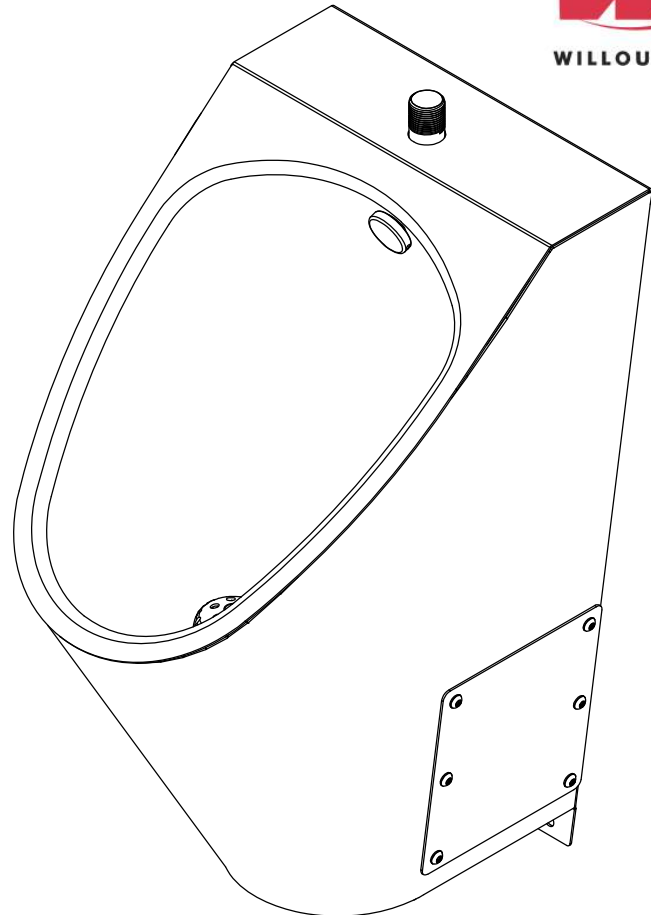
visit our website at www.willoughby-ind.com
 5105 West 78th Street • Indianapolis, IN. 46268
 (317) 875-0830 • Fax: (317) 875-0837 • (800) 428-4065



MADE IN THE U.S.A.



UW-1317-HEU-FA Single Person Front Access ADA-Compliant Contoured Washout Flush High Efficiency Urinal



(Unit may be shown with optional features)

To specify fixture and accessories, use the Model Number and Options page.

Example: To specify a Single Person, Front Access, ADA-Compliant, Contoured, Washout Flush, High Efficiency Urinal with top spud, 1/8 GPF, wall template, hydraulic flush valve, and ligature-resistant flush valve cover

Use the following Willoughby Model Number:
UW-1317-HEU-FA-TS-0.125-MT-FV-ASFVC

Recommended Specifications

Single Person, Front Access, ADA-Compliant, Contoured, Washout Flush, High Efficiency Urinal shall be:

Willoughby Model No. **UW-1317-HEU-FA-BS**

(Select from model number and options list on next page)

Fixture is fabricated from all 16 GA., Type 304 stainless steel. The construction shall be all-welded with exposed stainless steel surfaces polished to a satin finish. Contoured interior and exterior surfaces for ease of cleaning.

Standard equipment shall include:

- Machined stainless steel flush nozzle
- Beehive strainer
- Removable P-trap with 1-1/2" F.I.P. waste connection
- 3/4" N.P.T. male inlet connection
- Removable access cover

High Efficiency Urinal shall be washout type requiring 1/8 to 1/2 GPF flush valve and 25 PSI minimum flushing pressure. Trap shall be fully enclosed and maintain a 3" seal.

Mounting hardware by others.

Unit requires no chase area for installation and maintenance unless specified with any options requiring an accessible chase.

Urinals mounted at 17" rim height to comply with ANSI, ADA and UFAS accessibility requirements. Please consult local code as compliance is subject to the interpretation and requirements of the local code authority.

visit our website at www.willoughby-ind.com
5105 West 78th Street • Indianapolis, IN. 46268
(317) 875-0830 • Fax: (317) 875-0837 • (800) 428-4065



MADE IN THE U.S.A.

MODEL NUMBER AND OPTIONS:

1.) Base Model Number:

- UW-1317-HEU-FA Single Person, Front Access, ADA-Compliant, Contoured,
Washout Flush, High Efficiency Urinal

2.) Inlet Location:

- BS Back Spud
 TS Top Spud

3.) Flush Valve GPF (Must Specify):

- 0.5 GPF High Efficiency (HEU)
 0.125 GPF High Efficiency (HEU)

4.) Options:

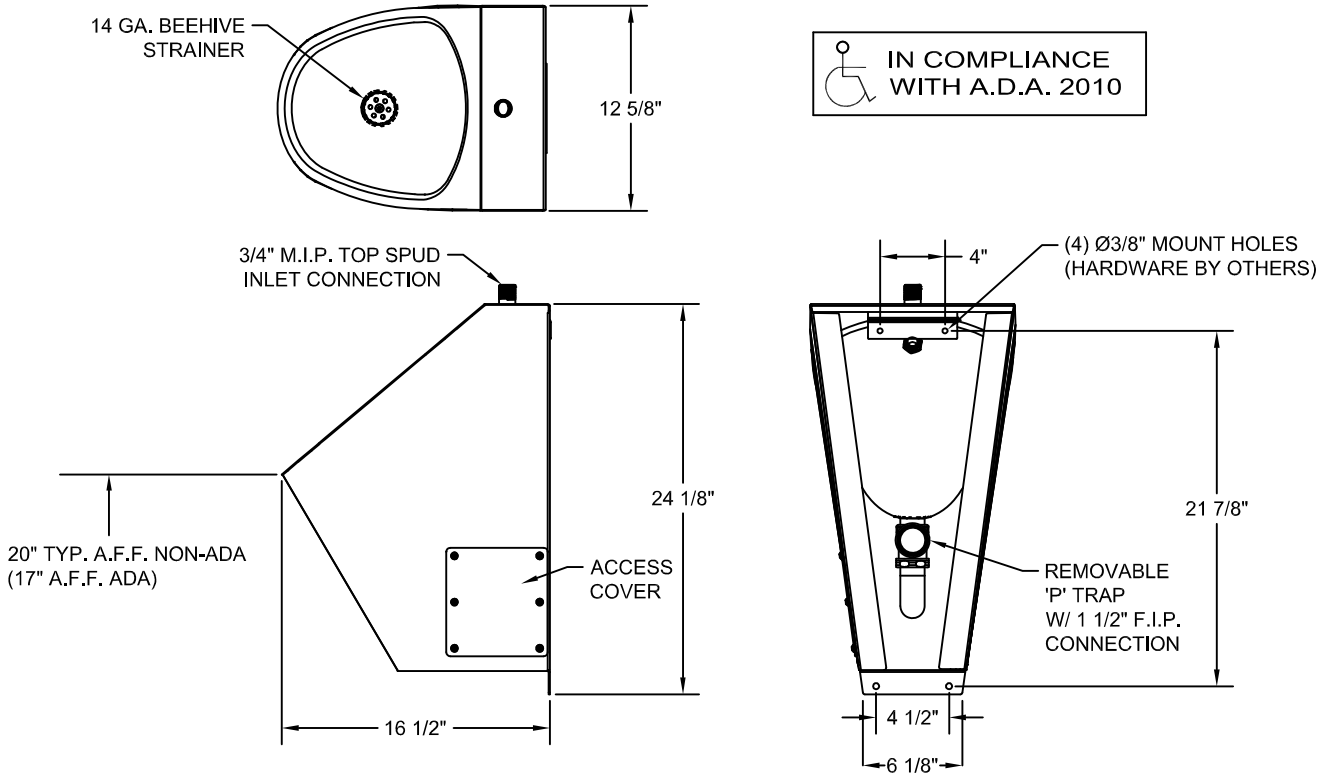
- MT Wall Template
 FV Hydraulic Flush Valve (Includes Actuator)
 EFV Electronic Flush Valve (Pick Control)*
 EFVP Electronic Flush Valve w/ (PZPB) Piezo Push Button (Pick Control)*
 ASUFVC Ligature-resistant Urinal Flush Valve Cover (Top Spud Only)
 AP Flush Valve Access Panel (Allows access to chase mounted flush valve from fixture side)
 TF24H Hard-wired Transformer, 110VAC to 24VAC*
 TF24P Plug-in Transformer, 110VAC to 24VAC*
 DC Decorator Color (Fixture exterior only - White)
 Other _____
 Other _____

5.) Electronic Controls* (Must Use Electronic Flush Valve):

- WUFC-4000 Pneumatic WMSII
*(Req. 110V power through ground fault interrupter (GFCI) receptacle)

Approved For Manufacturing By: _____ Date: _____ Company: _____
Wall Thickness: _____ Wall Type: _____

VERIFY ALL DIMENSIONS WITH FACTORY PRIOR TO ROUGH-IN
WILLOUGHBY RESERVES THE RIGHT TO MAKE CHANGES IN DESIGN AND DIMENSIONS WITHOUT FORMAL NOTICE AND WITHOUT INCURRING OBLIGATION.



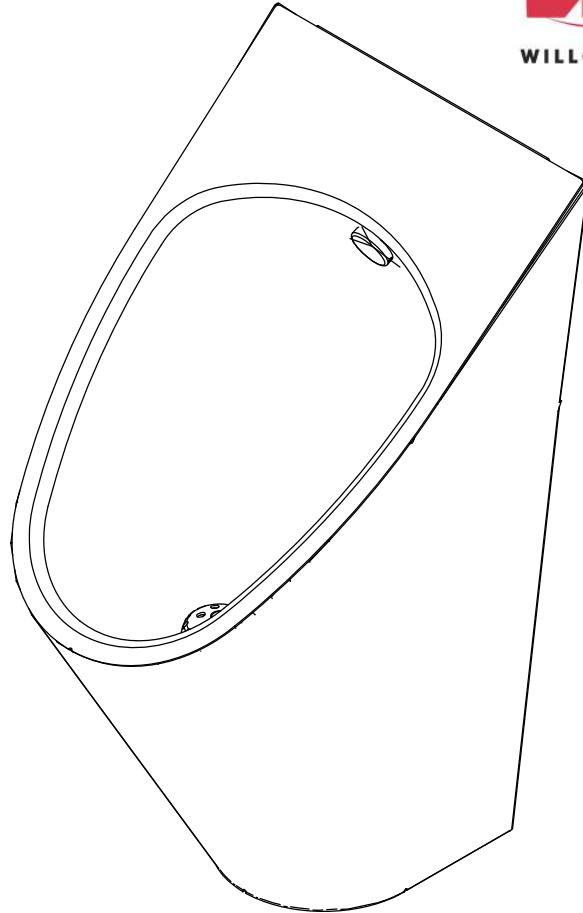
visit our website at www.willoughby-ind.com
5105 West 78th Street • Indianapolis, IN. 46268
(317) 875-0830 • Fax: (317) 875-0837 • (800) 428-4065



MADE IN THE U.S.A.



ASUW-1314-HEU Single Person Rear Mounted Ligature-resistant ADA-Compliant Contoured Washout Flush High Efficiency Urinal



(Unit may be shown with optional features)

To specify fixture and accessories, use the Model Number and Options page.

Example: To specify a Single Person, Rear Mounted, Ligature-resistant, ADA-Compliant, Contoured, Washout Flush, High Efficiency Urinal with back spud, 1/8 GPF, wall sleeve, hydraulic flush valve, and Decorator Color- White

Use the following Willoughby Model Number:
ASUW-1314-HEU-BS-0.125-WS-FV-DC

Recommended Specifications

Single Person, Rear Mounted, Ligature-resistant, ADA-Compliant, Contoured, Washout Flush, High Efficiency Urinal shall be: Willoughby Model No. **ASUW-1314-HEU**
(Select from model number and options list on next page)

Fixture is fabricated from all 16 GA., Type 304 stainless steel. The construction shall be all-welded with exposed stainless steel surfaces polished to a satin finish. Contoured interior and exterior surfaces for ease of cleaning.

Standard equipment shall include:

- Machined stainless steel flush nozzle
- Beehive strainer
- Removable P-trap with 1-1/2" F.I.P. waste connection
- 3/4" N.P.T. male inlet connection

High Efficiency Urinal shall be washout type requiring 1/8 to 1/2 GPF flush valve and 25 PSI minimum flushing pressure. Trap shall be fully enclosed and maintain a 3" seal.

Mounting hardware by others.

Unit requires no chase area for installation and maintenance unless specified with any options requiring an accessible chase.

Urinals mounted at 17" rim height to comply with ANSI, ADA and UFAS accessibility requirements. Please consult local code as compliance is subject to the interpretation and requirements of the local code authority.

visit our website at www.willoughby-ind.com
5105 West 78th Street • Indianapolis, IN. 46268
(317) 875-0830 • Fax: (317) 875-0837 • (800) 428-4065



MADE IN THE U.S.A.

MODEL NUMBER AND OPTIONS:

1.) Base Model Number:

- ASUW-1314-HEU Single Person, Rear Mounted, Ligature-resistant, ADA-Compliant, Contoured, Washout Flush, High Efficiency Urinal

2.) Inlet Location:

- BS Back Spud

3.) Flush Valve GPF (Must Specify):

- 0.5 GPF High Efficiency (HEU)
 0.125 GPF High Efficiency (HEU)

4.) Options:

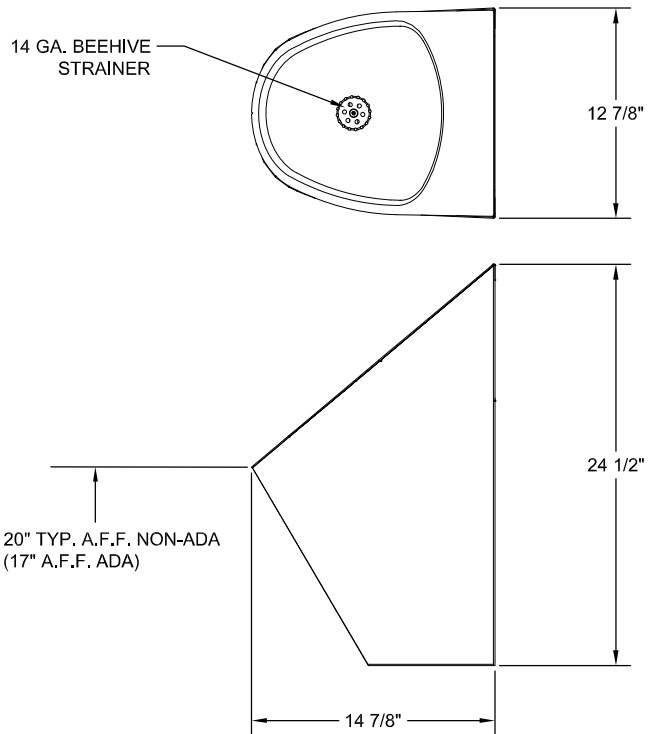
- MT Wall Template
 WS Wall Sleeve (Requires Accessible Chase)
 FV Hydraulic Flush Valve (Includes Actuator)
 EFV Electronic Flush Valve (Pick Control)*
 EFVP Electronic Flush Valve w/ (PZPB) Piezo Push Button (Pick Control)*
 AP Flush Valve Access Panel (Allows access to chase mounted flush valve from fixture side)
 TF24H Hard-wired Transformer, 110VAC to 24VAC*
 TF24P Plug-in Transformer, 110VAC to 24VAC*
 DC Decorator Color (Fixture exterior only - White)
 Other _____
 Other _____

5.) Electronic Controls* (Must Use Electronic Flush Valve):

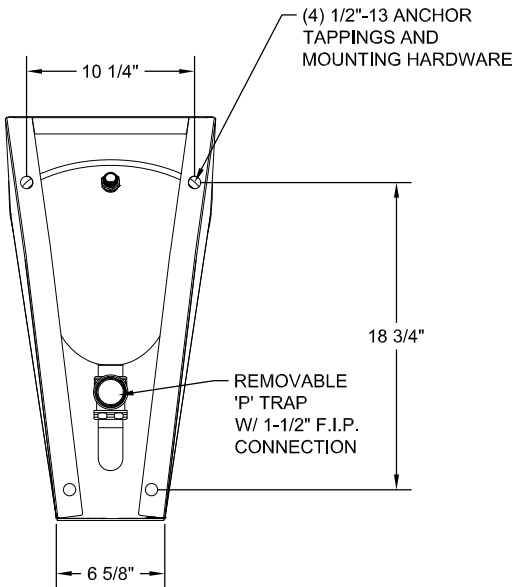
- WUFC-4000 Pneutronic WMSII
 *(Req. 110V power through ground fault interrupter (GFCI) receptacle)

Approved For Manufacturing By: _____ Date: _____ Company: _____
 Wall Thickness: _____ Wall Type: _____

VERIFY ALL DIMENSIONS WITH FACTORY PRIOR TO ROUGH-IN
 WILLOUGHBY RESERVES THE RIGHT TO MAKE CHANGES IN DESIGN AND DIMENSIONS WITHOUT FORMAL NOTICE AND WITHOUT INCURRING OBLIGATION.



IN COMPLIANCE WITH A.D.A. 2010



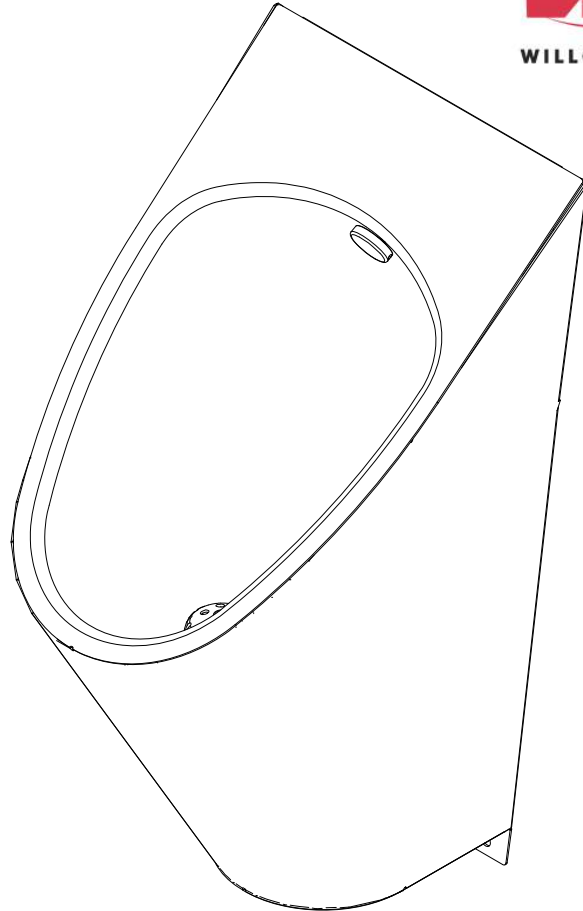
visit our website at www.willoughby-ind.com
 5105 West 78th Street • Indianapolis, IN. 46268
 (317) 875-0830 • Fax: (317) 875-0837 • (800) 428-4065



MADE IN THE U.S.A.



ASUW-1314-HEU-FA Single Person Front Access Ligature-resistant ADA-Compliant Contoured Washout Flush High Efficiency Urinal



(Unit may be shown with optional features)

To specify fixture and accessories, use the Model Number and Options page.

Example: To specify a Single Person, Front Access, Ligature-resistant, ADA-Compliant, Contoured, Washout Flush, High Efficiency Urinal with back spud, 1/8 GPF, wall template, hydraulic flush valve, and Decorator Color- White

Use the following Willoughby Model Number:
ASUW-1314-HEU-FA-BS-0.125-MT-FV-DC

Recommended Specifications

Single Person, Front Access, Ligature-resistant, ADA-Compliant, Contoured, Washout Flush, High Efficiency Urinal shall be: Willoughby Model No. **ASUW-1314-HEU-FA**
(Select from model number and options list on next page)

Fixture is fabricated from all 16 GA., Type 304 stainless steel. The construction shall be all-welded with exposed stainless steel surfaces polished to a satin finish. Contoured interior and exterior surfaces for ease of cleaning.

Standard equipment shall include:

- Machined stainless steel flush nozzle
- Beehive strainer
- Removable P-trap with 1-1/2" F.I.P. waste connection
- 3/4" N.P.T. male inlet connection
- Removable access cover

High Efficiency Urinal shall be washout type requiring 1/8 to 1/2 GPF flush valve and 25 PSI minimum flushing pressure. Trap shall be fully enclosed and maintain a 3" seal.

Mounting hardware by others.

Unit requires no chase area for installation and maintenance unless specified with any options requiring an accessible chase.

Urinals mounted at 17" rim height to comply with ANSI, ADA and UFAS accessibility requirements. Please consult local code as compliance is subject to the interpretation and requirements of the local code authority.

visit our website at www.willoughby-ind.com
5105 West 78th Street • Indianapolis, IN. 46268
(317) 875-0830 • Fax: (317) 875-0837 • (800) 428-4065



MADE IN THE U.S.A.

MODEL NUMBER AND OPTIONS:

1.) Base Model Number:

- ASUW-1314-HEU-FA Single Person, Front Access, Ligature-resistant, ADA-Compliant, Contoured, Washout Flush, High Efficiency Urinal

2.) Inlet Location:

- BS Back Spud

3.) Flush Valve GPF (Must Specify):

- 0.5 GPF High Efficiency (HEU)
 0.125 GPF High Efficiency (HEU)

4.) Options:

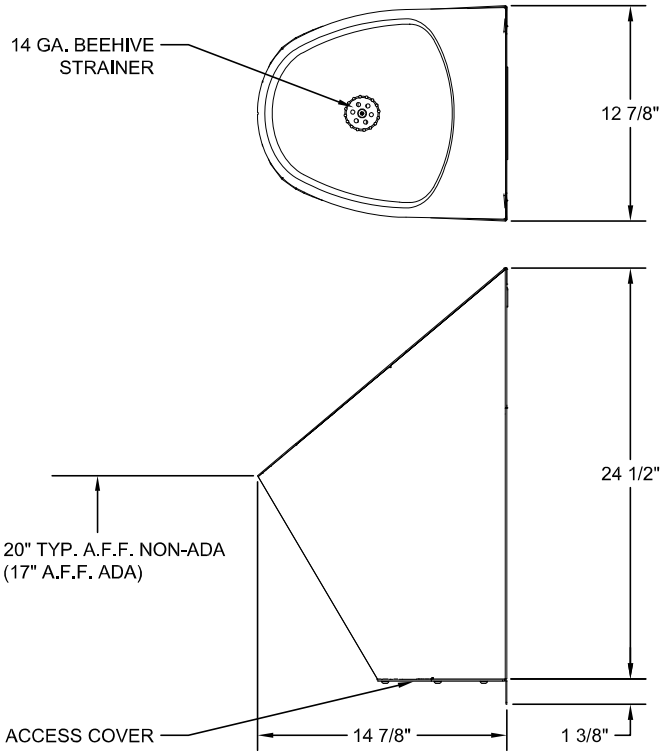
- MT Wall Template
 FV Hydraulic Flush Valve (Includes Actuator)
 EFV Electronic Flush Valve (Pick Control)*
 EFVP Electronic Flush Valve w/ (PZPB) Piezo Push Button (Pick Control)*
 AP Flush Valve Access Panel (Allows access to chase mounted flush valve from fixture side)
 TF24H Hard-wired Transformer, 110VAC to 24VAC*
 TF24P Plug-in Transformer, 110VAC to 24VAC*
 DC Decorator Color (Fixture exterior only - White)
 Other _____
 Other _____

5.) Electronic Controls* (Must Use Electronic Flush Valve):

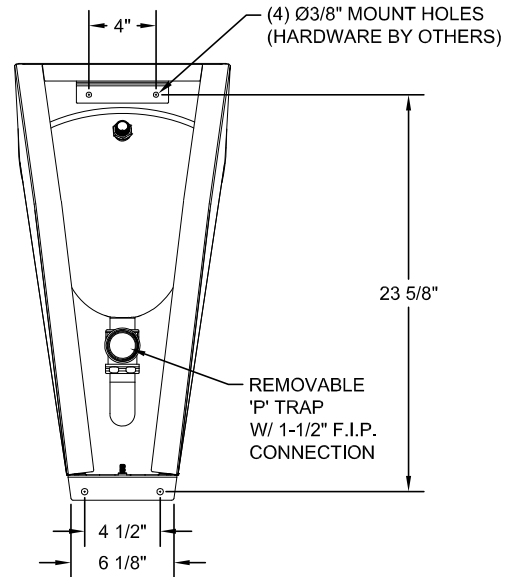
- WUFC-4000 Pneumatic WMSII
 *(Req. 110V power through ground fault interrupter (GFCI) receptacle)

Approved For Manufacturing By: _____ Date: _____ Company: _____
 Wall Thickness: _____ Wall Type: _____

VERIFY ALL DIMENSIONS WITH FACTORY PRIOR TO ROUGH-IN
 WILLOUGHBY RESERVES THE RIGHT TO MAKE CHANGES IN DESIGN AND DIMENSIONS WITHOUT FORMAL NOTICE AND WITHOUT INCURRING OBLIGATION.



IN COMPLIANCE WITH A.D.A. 2010



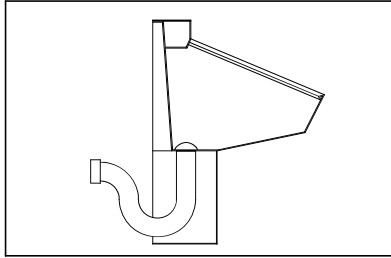
visit our website at www.willoughby-ind.com
 5105 West 78th Street • Indianapolis, IN. 46268
 (317) 875-0830 • Fax: (317) 875-0837 • (800) 428-4065



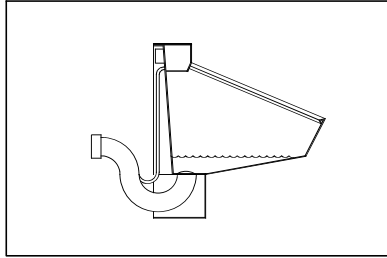
MADE IN THE U.S.A.

URINAL OPTIONS

FLUSH TYPE

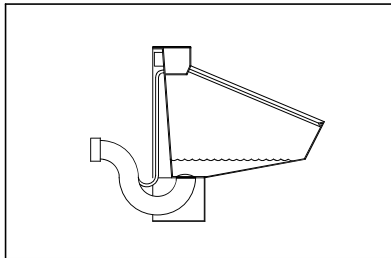


(WO)- WASH OUT

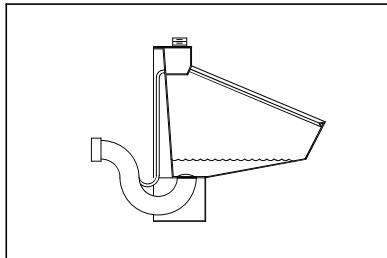


(BJ)- BLOW OUT

INLET LOCATION

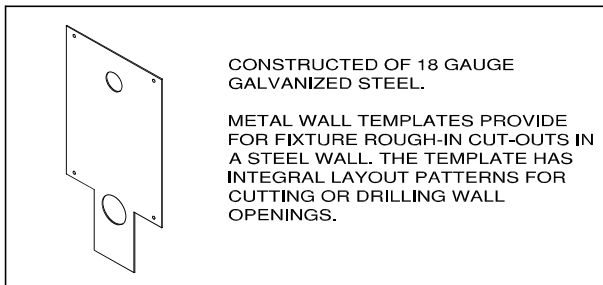


(BS)- BACK SPUD



(TS)- TOP SPUD

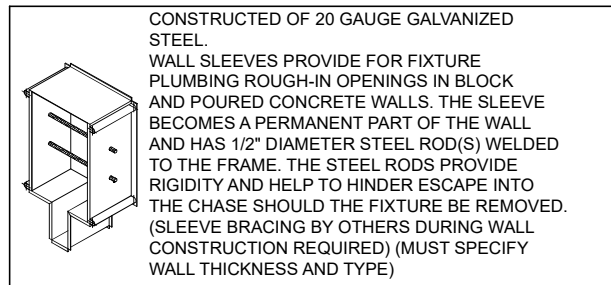
OTHER OPTIONS



CONSTRUCTED OF 18 GAUGE GALVANIZED STEEL.

METAL WALL TEMPLATES PROVIDE FOR FIXTURE ROUGH-IN CUT-OUTS IN A STEEL WALL. THE TEMPLATE HAS INTEGRAL LAYOUT PATTERNS FOR CUTTING OR DRILLING WALL OPENINGS.

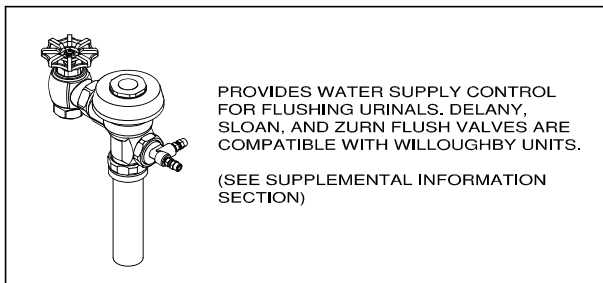
(MT)- WALL TEMPLATE



CONSTRUCTED OF 20 GAUGE GALVANIZED STEEL.

WALL SLEEVES PROVIDE FOR FIXTURE PLUMBING ROUGH-IN OPENINGS IN BLOCK AND POURED CONCRETE WALLS. THE SLEEVE BECOMES A PERMANENT PART OF THE WALL AND HAS 1/2" DIAMETER STEEL ROD(S) WELDED TO THE FRAME. THE STEEL RODS PROVIDE RIGIDITY AND HELP TO HINDER ESCAPE INTO THE CHASE SHOULD THE FIXTURE BE REMOVED. (SLEEVE BRACING BY OTHERS DURING WALL CONSTRUCTION REQUIRED) (MUST SPECIFY WALL THICKNESS AND TYPE)

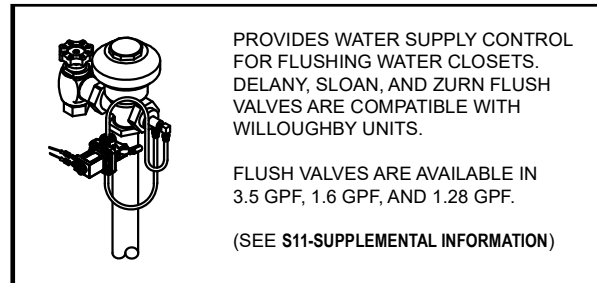
(WS)- WALL SLEEVE



PROVIDES WATER SUPPLY CONTROL FOR FLUSHING URINALS. DELANY, SLOAN, AND ZURN FLUSH VALVES ARE COMPATIBLE WITH WILLOUGHBY UNITS.

(SEE SUPPLEMENTAL INFORMATION SECTION)

(FV)- FLUSH VALVE



PROVIDES WATER SUPPLY CONTROL FOR FLUSHING WATER CLOSETS. DELANY, SLOAN, AND ZURN FLUSH VALVES ARE COMPATIBLE WITH WILLOUGHBY UNITS.

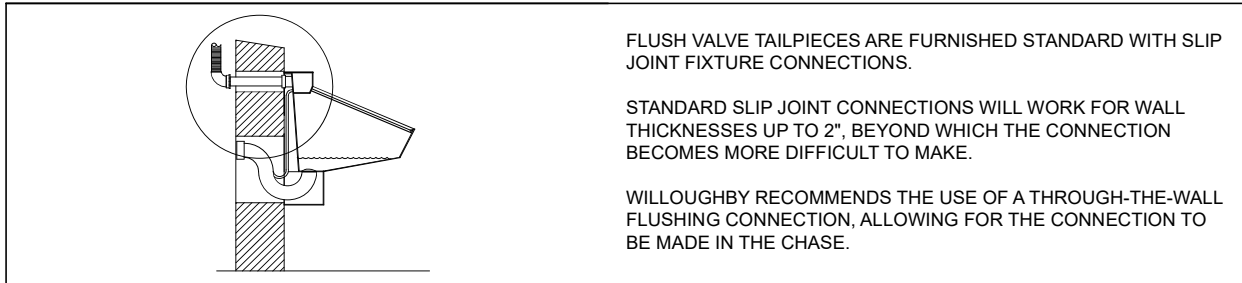
FLUSH VALVES ARE AVAILABLE IN 3.5 GPF, 1.6 GPF, AND 1.28 GPF.

(SEE S11-SUPPLEMENTAL INFORMATION)

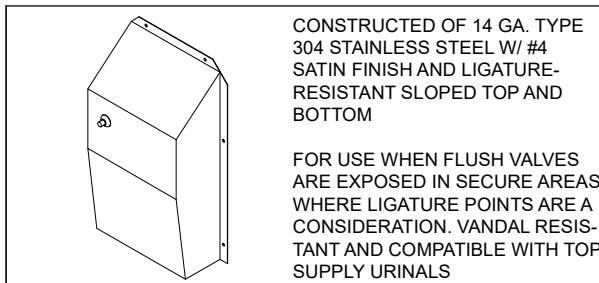
(EFV)- ELECTRONIC FLUSH VALVE
(FOR USE W/ WILLOUGHBY ELECTRONIC CONTROLS)

URINAL OPTIONS (CONT.)

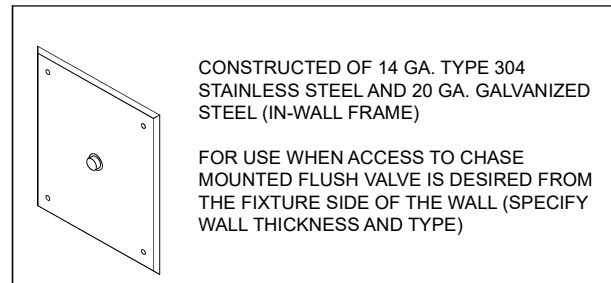
OTHER OPTIONS (CONT.)



(FVT)- FLUSH VALVE THROUGH-WALL CONNECTION



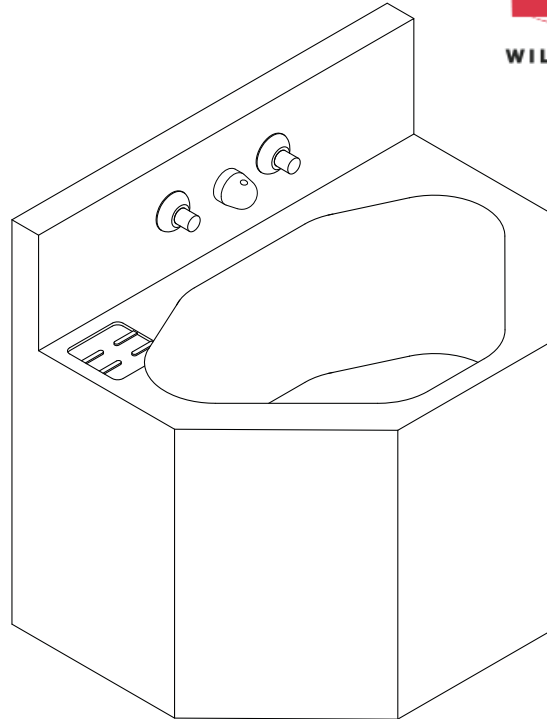
(ASUFVC)- URINAL FLUSH VALVE COVER



(AP)- FLUSH VALVE ACCESS PANEL



HS-1013-46-15 15" Wide Rear Mounted Lavatory



(Unit may be shown with optional features)

To specify fixture and accessories, use the Model Number and Options page.

Example: To specify a 15" Wide, Rear Mounted Lavatory with code bubbler, dual temp. pneumatic metering valve, pneumatic push buttons, elbow waste, and single towel hook

Use the following Willoughby Model Number:

HS-1013-46-15-BC-PML2-PPB-EB-TH1

Recommended Specifications

15" Wide, Rear Mounted Lavatory shall be:
Willoughby Model No. **HS-1013-46-15**
(Select from model number and options list on next page)

Fixture shall be fabricated from 14 GA., Type 304 stainless steel. The construction shall be all welded, with exposed stainless surfaces polished to a #4 satin finish.

Standard lavatory shall include:

- Multi-sided bowl, 12-3/4" x 8-1/4" x 5" deep
- Stainless steel penal bubbler/filler
- Fast drain with air vent
- Elbow waste (1-1/2" F.I.P.)
- Self-draining soap dish

Cabinet interior shall be sound deadened with fire-resistant material.

Anchoring shall be by standard 4-point system: threaded rods, nuts and washers shall be furnished for walls up to 8" thick. Unit shall require chase area for installation and maintenance.

visit our website at www.willoughby-ind.com

5105 West 78th Street • Indianapolis, IN. 46268

(317) 875-0830 • Fax: (317) 875-0837 • (800) 428-4065



MADE IN THE U.S.A.

MODEL NUMBER AND OPTIONS:

1.) Base Model Number:

- HS-1013-46-15 15" Wide, Rear Mounted Lavatory

2.) Bubblers Selection:

- BP Penal Bubbler/Filler (Standard)
 BC Code Bubbler/Filler
 BPH Ligature-resistant Bubbler/Filler
 FL Penal Lav. Filler
 FLH Ligature-resistant Lav. Filler

3.) Lavatory Valve Selection:

- NV No Valve
 PSL1 Single Temp. Pneumatic Non-metering
 PSL2 Dual Temp. Pneumatic Non-metering
 PML1 Single Temp. Pneumatic Metering
 PML2 Dual Temp. Pneumatic Metering
 E1L1 Single Temp. Electronic (pick control)*
 E1L2 Dual Temp. Electronic (pick control)*

Valve Manifold Options:

Pneumatic or Electronic Only:

- MA2 MA3 MA4

4.) Lavatory Valve Actuation:

- PPB Pneumatic Push Buttons
 PBH Ligature-resistant Push Buttons
 EPB Electronic Push Buttons*
 EPBH Ligature-resistant Electronic Push Buttons*
 PZPB Piezo Electronic Push Buttons

5.) Electronic Controls* (Must Use Electronic Push Button):

- WUCC-3010 Pneutronic WMSII
 (The WUCC-3010 Control can be used to pair a Lavatory with a Toilet)

6.) Lavatory Waste:

- EB Elbow Waste (Standard)
 PT Integral 'P'-Trap
 LWL Lavatory Waste Extension
 OV Lavatory Overflow
 SLOW Slow Drain
 LW1 Thru-Wall Extension, 'P'-Trap
 LW2 Thru-Wall Extension and Clean-Out

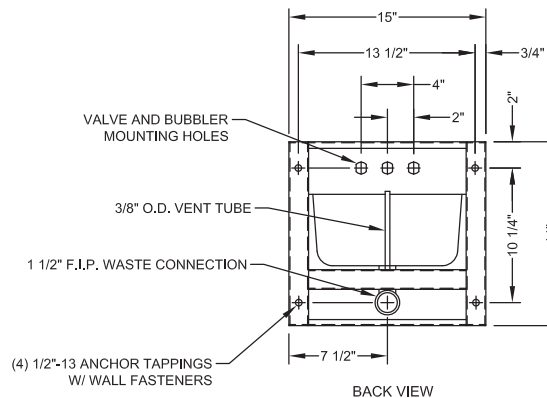
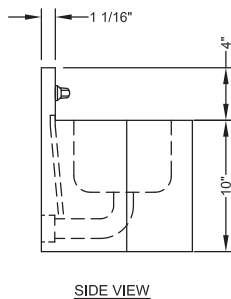
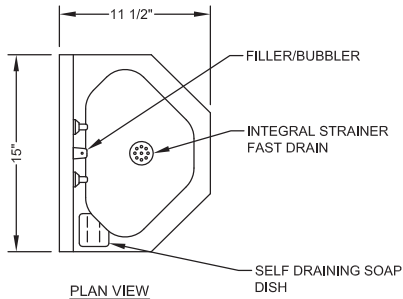
7.) Options:

- MT Wall Template
 TB1 Single Toothbrush Holder
 Right Left
 TB2 Dual Toothbrush Holder
 Right Left
 TF24H Hard-wired Transformer, 110VAC to 24VAC*
 TF24P Plug-in Transformer, 110VAC to 24VAC*
 TH1 Single Towel Hook
 Right Left
 TH2 Dual Towel Hook
 Right Left
 WS Wall Sleeve (Requires Accessible Chase)
 ISH Integral Shelf
 VG Ventilation Grille (Specify Location and Free Area)
 Other: _____
 Other: _____

*(Req. 110V power through ground fault interrupter (GFCI) receptacle)

Approved For Manufacturing By: _____ Date: _____ Company: _____
 Wall Thickness: _____ Wall Type: _____

VERIFY ALL DIMENSIONS WITH FACTORY PRIOR TO ROUGH-IN
 WILLOUGHBY RESERVES THE RIGHT TO MAKE CHANGES IN DESIGN AND
 DIMENSIONS WITHOUT FORMAL NOTICE AND WITHOUT INCURRING OBLIGATION.

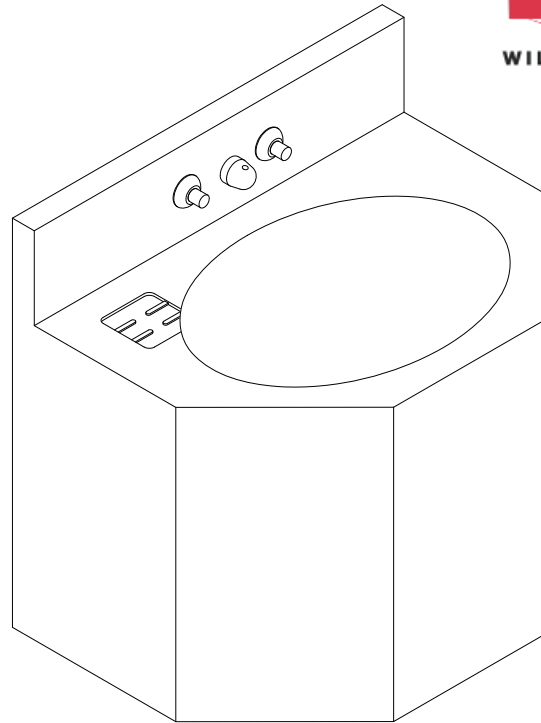


visit our website at www.willoughby-ind.com
 5105 West 78th Street • Indianapolis, IN. 46268
 (317) 875-0830 • Fax: (317) 875-0837 • (800) 428-4065



MADE IN THE U.S.A.

HS-1013-46 18" Wide Rear Mounted Lavatory



(Unit may be shown with optional features)

To specify fixture and accessories, use the Model Number and Options page.

Example: To specify an 18" Wide, Rear Mounted Lavatory with code bubbler, dual temp. pneumatic metering valve, pneumatic push buttons, elbow waste, and single towel hook

Use the following Willoughby Model Number:

HS-1013-46-BC-PML2-PPB-EB-TH1

Recommended Specifications

18" Wide, Rear Mounted Lavatory shall be:
Willoughby Model No. **HS-1013-46**
(Select from model number and options list on next page)

Fixture shall be fabricated from 14 GA., Type 304 stainless steel. The construction shall be all welded, with exposed stainless surfaces polished to a #4 satin finish.

Standard lavatory shall include:

- Oval-shaped bowl, 13" x 9-1/2" x 6" deep
- Stainless steel penal bubbler/filler
- Fast drain with air vent
- Elbow waste (1-1/2" F.I.P.)
- Self-draining soap dish

Cabinet interior shall be sound deadened with fire-resistant material.

Anchoring shall be by standard 4-point system: threaded rods, nuts and washers shall be furnished for walls up to 8" thick. Unit shall require chase area for installation and maintenance.

visit our website at www.willoughby-ind.com

5105 West 78th Street • Indianapolis, IN. 46268
(317) 875-0830 • Fax: (317) 875-0837 • (800) 428-4065



MADE IN THE U.S.A.

MODEL NUMBER AND OPTIONS:

1.) Base Model Number:

- HS-1013-46 18" Wide, Rear Mounted Lavatory

2.) Bubblers Selection:

- BP Penal Bubbler/Filler (Standard)
 BC Code Bubbler/Filler
 BPH Ligature-resistant Bubbler/Filler
 FL Penal Lav. Filler
 FLH Ligature-resistant Lav. Filler

3.) Lavatory Valve Selection:

- NV No Valve
 PSL1 Single Temp. Pneumatic Non-metering
 PSL2 Dual Temp. Pneumatic Non-metering
 PML1 Single Temp. Pneumatic Metering
 PML2 Dual Temp. Pneumatic Metering
 E1L1 Single Temp. Electronic (pick control)*
 E1L2 Dual Temp. Electronic (pick control)*

Valve Manifold Options:

Pneumatic or Electronic Only:

- MA2 MA3 MA4

4.) Lavatory Valve Actuation:

- PPB Pneumatic Push Buttons
 PBH Ligature-resistant Push Buttons
 EPB Electronic Push Buttons*
 EPBH Ligature-resistant Electronic Push Buttons*
 PZPB Piezo Electronic Push Buttons*

5.) Electronic Controls* (Must Use Electronic Push Button):

- WUCC-3010 Pneutronic WMSII

(The WUCC-3010 Control can be used to pair a Lavatory with a Toilet)

6.) Lavatory Waste:

- EB Elbow Waste (Standard)
 PT Integral 'P'-Trap
 LWL Lavatory Waste Extension
 OV Lavatory Overflow
 SLOW Slow Drain
 LW1 Thru-Wall Extension, 'P'-Trap
 LW2 Thru-Wall Extension and Clean-Out

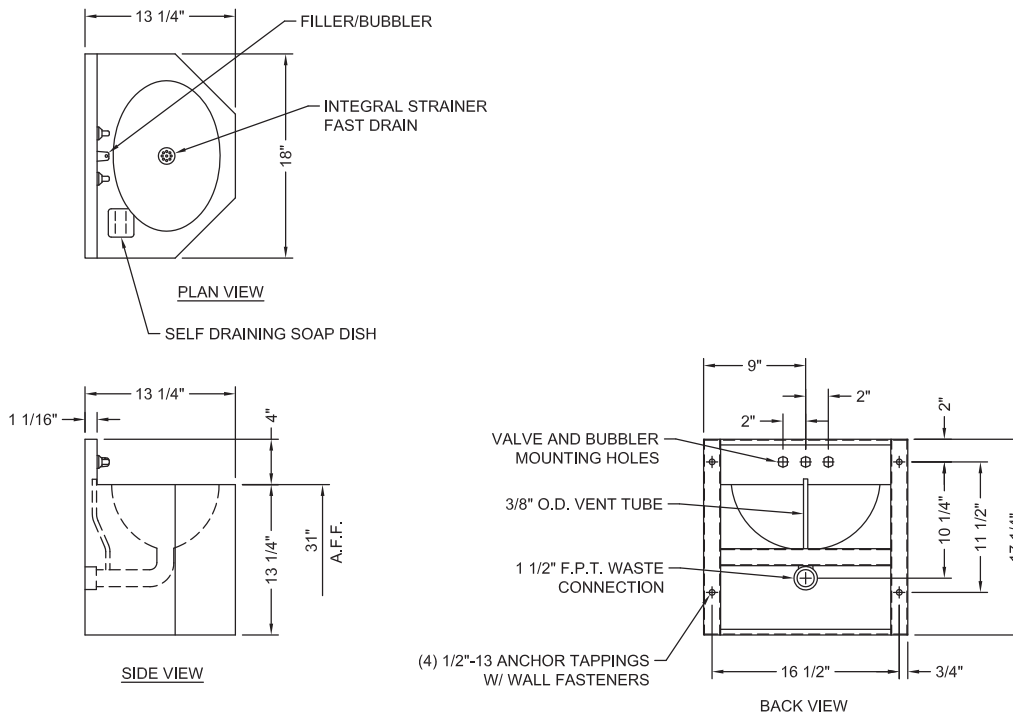
7.) Options:

- MT Wall Template
 TB1 Single Toothbrush Holder
 Right Left
 TB2 Dual Toothbrush Holder
 Right Left
 TF24H Hard-wired Transformer, 110VAC to 24VAC*
 TF24P Plug-in Transformer, 110VAC to 24VAC*
 TH1 Single Towel Hook
 Right Left
 TH2 Dual Towel Hook
 Right Left
 WS Wall Sleeve (Requires Accessible Chase)
 ISH Integral Shelf
 VG Ventilation Grille (Specify Location and Free Area)
 Other: _____
 Other: _____

*(Req. 110V power through ground fault interrupter (GFCI) receptacle)

Approved For Manufacturing By: _____ Date: _____ Company: _____
 Wall Thickness: _____ Wall Type: _____

VERIFY ALL DIMENSIONS WITH FACTORY PRIOR TO ROUGH-IN
 WILLOUGHBY RESERVES THE RIGHT TO MAKE CHANGES IN DESIGN AND DIMENSIONS WITHOUT FORMAL NOTICE AND WITHOUT INCURRING OBLIGATION.



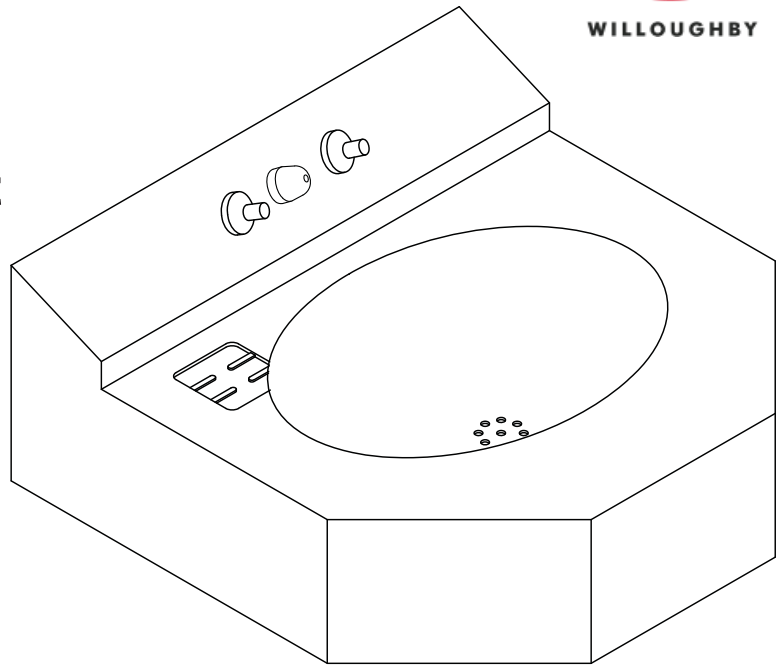
visit our website at www.willoughby-ind.com
 5105 West 78th Street • Indianapolis, IN. 46268
 (317) 875-0830 • Fax: (317) 875-0837 • (800) 428-4065



MADE IN THE U.S.A.



HS-1013-46-HC 18" Wide Rear Mounted Handicap-ADA Compliant Lavatory



(Unit may be shown with optional features)

To specify fixture and accessories, use the Model Number and Options page.

Example: To specify an 18" Wide, Rear Mounted, Handicap-ADA Compliant Lavatory with security penel filler/bubbler, dual temp. pneumatic metering valve, pneumatic push buttons, elbow waste, and single towel hook

Use the following Willoughby Model Number:

HS-1013-46-HC-SBP-PML2-PPB-EB-TH1

Recommended Specifications

18" Wide, Rear Mounted, Handicap-ADA Compliant Lavatory shall be: Willoughby Model No. **HS-1013-46-HC**
(Select from model number and options list on next page)

Fixture shall be fabricated from 14 GA., Type 304 stainless steel. The construction shall be all welded, with exposed stainless surfaces polished to a #4 satin finish.

Standard lavatory shall include:

- Oval-shaped bowl, 13" x 9-1/2" x 6" deep
- Stainless steel penel bubbler/filler
- Fast drain with air vent
- Elbow waste (1-1/2" F.I.P.)
- Self-draining soap dish

Cabinet interior shall be sound deadened with fire-resistant material.

Anchoring shall be by standard 4-point system: threaded rods, nuts and washers shall be furnished for walls up to 8" thick. Unit shall require chase area for installation and maintenance.

visit our website at www.willoughby-ind.com

5105 West 78th Street • Indianapolis, IN. 46268

(317) 875-0830 • Fax: (317) 875-0837 • (800) 428-4065



MADE IN THE U.S.A.

MODEL NUMBER AND OPTIONS:

1.) Base Model Number:

- HS-1013-46-HC 18" Wide, Rear Mounted, Handicap-ADA Compliant Lavatory

2.) Bubblers Selection:

- SBP Security Penal Bubbler/Filler (Standard)
 SBC Security Code Bubbler/Filler
 SBPH Security Ligature-resistant Penal Bubbler/Filler

3.) Lavatory Valve Selection:

- NV No Valve
 PML1 Single Temp. Pneumatic Metering
 PML2 Dual Temp. Pneumatic Metering
 E1L1 Single Temp. Electronic (pick control)*
 E1L2 Dual Temp. Electronic (pick control)*

Valve Manifold Options:

- Pneumatic or Electronic Only:*
 MA2 MA3 MA4

4.) Lavatory Valve Actuation:

- PPB Pneumatic Push Buttons
 PBH Ligature-resistant Push Buttons
 EPB Electronic Push Buttons*
 EPBH Ligature-resistant Electronic Push Buttons*
 PZPB Piezo Electronic Push Buttons*

5.) Electronic Controls* (Must Use Electronic Push Button):

- WUCC-3010 Pneutronic WMSII
 (The WUCC-3010 Control can be used to pair a Lavatory with a Toilet)

6.) Lavatory Waste:

- EB Elbow Waste (Standard)
 PT Integral 'P'-Trap
 LWL Lavatory Waste Extension
 OV Lavatory Overflow
 SLOW Slow Drain
 LW1 Thru-Wall Extension, 'P'-Trap
 LW2 Thru-Wall Extension and Clean-Out

7.) Options:

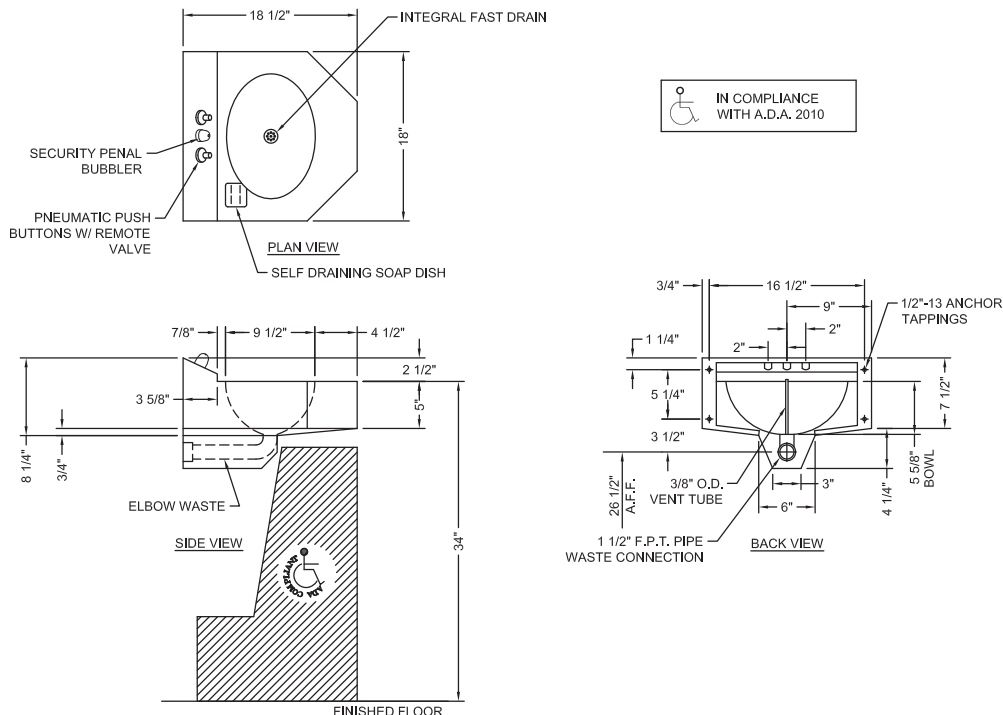
- MT Wall Template
 TB1 Single Toothbrush Holder
 Right Left
 TB2 Dual Toothbrush Holder
 Right Left
 TF24H Hard-wired Transformer, 110VAC to 24VAC*
 TF24P Plug-in Transformer, 110VAC to 24VAC*
 TH1 Single Towel Hook
 Right Left
 TH2 Dual Towel Hook
 Right Left
 WS Wall Sleeve (Requires Accessible Chase)
 PSL1-DMB Deck Mounted Bubbler/Filler**
 PSL1-DMBH Ligature-resistant DM Bubbler/Filler**
 **(Panel Mounted Push Button)

- Other: _____
 Other: _____

*(Req. 110V power through ground fault interrupter (GFCI) receptacle)

Approved For Manufacturing By: _____ Date: _____ Company: _____
 Wall Thickness: _____ Wall Type: _____

VERIFY ALL DIMENSIONS WITH FACTORY PRIOR TO ROUGH-IN
 WILLOUGHBY RESERVES THE RIGHT TO MAKE CHANGES IN DESIGN AND DIMENSIONS WITHOUT FORMAL NOTICE AND WITHOUT INCURRING OBLIGATION.



IN COMPLIANCE WITH A.D.A. 2010

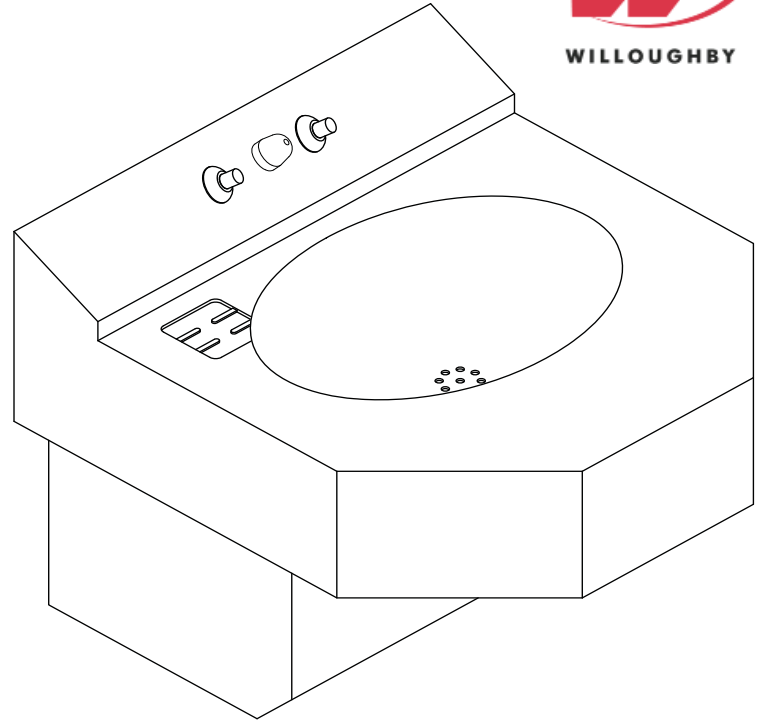
visit our website at www.willoughby-ind.com
 5105 West 78th Street • Indianapolis, IN. 46268
 (317) 875-0830 • Fax: (317) 875-0837 • (800) 428-4065



MADE IN THE U.S.A.



HS-1013-46-HC-FA 18" Wide Front Access Handicap-ADA Compliant Lavatory



(Unit may be shown with optional features)

To specify fixture and accessories, use the Model Number and Options page.
Example: To specify an 18" Wide, Front Access, Handicap-ADA Compliant Lavatory with security pen filler/ bubbler and dual temp. pneumatic metering valve, pneumatic push buttons, and removable 'p' trap
Use the following Willoughby Model Number:
HS-1013-46-HC-FA-SBP-PML2-PPB-RPT

Recommended Specifications

18" Wide, Front Access, Handicap-ADA Compliant Lavatory shall be: Willoughby Model No. **HS-1013-46-HC-FA**
(Select from model number and options list on next page)

Fixture shall be fabricated from 14 GA., Type 304 stainless steel. The construction shall be all welded, with exposed stainless surfaces polished to a #4 satin finish.

Standard lavatory shall include:

- Oval-shaped bowl, 13" x 9-1/2" x 6" deep
- Stainless steel penal bubbler/filler
- Fast drain with air vent
- (1-1/2") slip joint, cast brass union 'p'-trap
- Removable bottom panel attached w/ vandal resistant screws
- Self-draining soap dish

Anchoring shall be from the front with 'z'-clip and anchoring holes provided. Anchoring hardware by others. Unit requires no chase area for installation and maintenance.

visit our website at www.willoughby-ind.com

5105 West 78th Street • Indianapolis, IN. 46268
(317) 875-0830 • Fax: (317) 875-0837 • (800) 428-4065



MADE IN THE U.S.A.

MODEL NUMBER AND OPTIONS:

1.) Base Model Number:

- HS-1013-46-HC-FA 18" Wide, Front Access,
Handicap-ADA Compliant Lavatory

2.) Bubblers Selection:

- SBP Security Penal Bubbler/Filler (Standard)
 SBC Security Code Bubbler/Filler
 SBPH Security Ligature-resistant Penal Bubbler/Filler

3.) Lavatory Valve Selection:

- NV No Valve
 PML1 Single Temp. Pneumatic Metering
 PML2 Dual Temp. Pneumatic Metering
 E1L1 Single Temp. Electronic (pick control)*
 E1L2 Dual Temp. Electronic (pick control)*

4.) Lavatory Valve Actuation:

- PPB Pneumatic Push Buttons
 PBH Ligature-resistant Push Buttons
 EPB Electronic Push Buttons*
 EPBH Ligature-resistant Electronic Push Buttons*
 PZPB Piezo Electronic Push Buttons*

5.) Electronic Controls* (Must Use Electronic Push Button):

- WUCC-3010 Pneutronic WMSII
 (The WUCC-3010 Control can be used to pair a Lavatory with a Toilet)

6.) Lavatory Waste:

- RPT Removable 'P'-Trap (Standard)
 OV Lavatory Overflow
 SLOW Slow Drain

7.) Options:

- MT Wall Template
 TB1 Single Toothbrush Holder
 Right Left
 TB2 Dual Toothbrush Holder
 Right Left
 TF24H Hard-wired Transformer, 110VAC to 24VAC*
 TF24P Plug-in Transformer, 110VAC to 24VAC*
 TH1 Single Towel Hook
 Right Left
 TH2 Dual Towel Hook
 Right Left
 PSL1-DMB Deck Mounted Bubbler/Filler**
 PSL1-DMBH Ligature-resistant DM Bubbler/Filler**
 **(Panel Mounted Push Button)

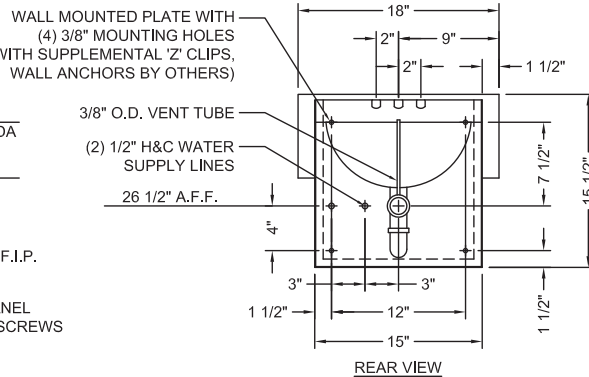
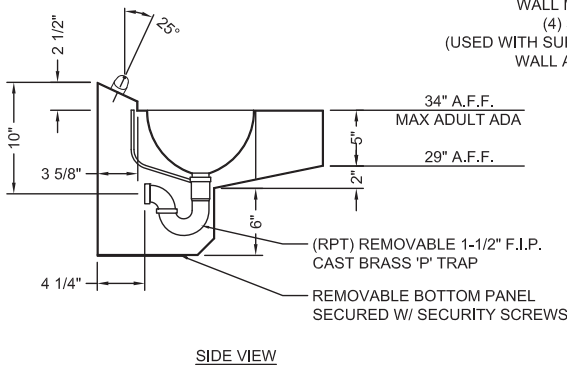
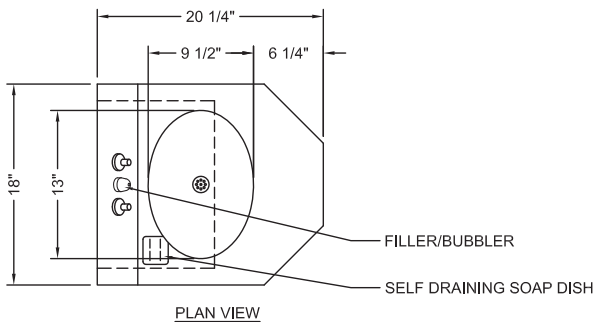
Other: _____

Other: _____

*(Req. 110V power through ground fault interrupter (GFCI) receptacle)

Approved For Manufacturing By: _____ Date: _____ Company: _____
 Wall Thickness: _____ Wall Type: _____

VERIFY ALL DIMENSIONS WITH FACTORY PRIOR TO ROUGH-IN
 WILLOUGHBY RESERVES THE RIGHT TO MAKE CHANGES IN DESIGN AND DIMENSIONS WITHOUT FORMAL NOTICE AND WITHOUT INCURRING OBLIGATION.

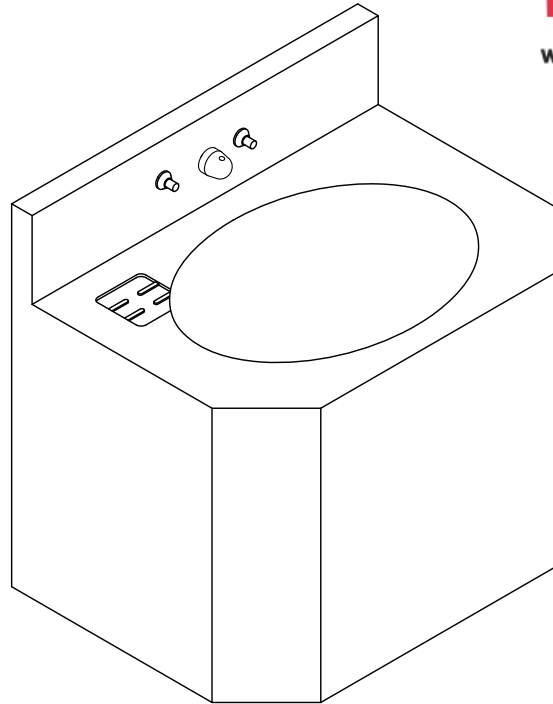


visit our website at www.willoughby-ind.com
 5105 West 78th Street • Indianapolis, IN. 46268
 (317) 875-0830 • Fax: (317) 875-0837 • (800) 428-4065



MADE IN THE U.S.A.

HS-1013-96 18" Wide Rear Mounted Rectangular Cabinet Lavatory



(Unit may be shown with optional features)

To specify fixture and accessories, use the Model Number and Options page.

Example: To specify an 18" Wide, Rear Mounted, Rectangular Cabinet Lavatory with code bubbler, dual temp. pneumatic metering valve, pneumatic push buttons, integral 'p' trap, single towel hook, and wall sleeve

Use the following Willoughby Model Number:

HS-1013-96-BC-PML2-PPB-PT-TH1-WS

Recommended Specifications

18" Wide, Rear Mounted, Rectangular Cabinet Lavatory shall be: Willoughby Model No. **HS-1013-96**
(Select from model number and options list on next page)

Fixture shall be fabricated from 14 GA., Type 304 stainless steel. The construction shall be all welded, with exposed stainless surfaces polished to a #4 satin finish.

Standard lavatory shall include:

- Oval-shaped bowl, 13" x 9-1/2" x 6" deep
- Stainless steel penal bubbler/filler
- Fast drain with air vent
- Elbow waste (1-1/2" F.I.P.)
- Self-draining soap dish

Cabinet interior shall be sound deadened with fire-resistant material.

Anchoring shall be by standard 4-point system: threaded rods, nuts and washers shall be furnished for walls up to 8" thick. Unit shall require chase area for installation and maintenance.

visit our website at www.willoughby-ind.com

5105 West 78th Street • Indianapolis, IN. 46268

(317) 875-0830 • Fax: (317) 875-0837 • (800) 428-4065



MADE IN THE U.S.A.

MODEL NUMBER AND OPTIONS:

1.) Base Model Number:

- HS-1013-96 18" Wide, Rear Mounted, Rectangular Cabinet Lavatory

2.) Bubbler Selection:

- BP Penal Bubbler/Filler (Standard)
 BC Code Bubbler/Filler
 BPH Ligature-resistant Bubbler/Filler
 FL Penal Lav. Filler
 FLH Ligature-resistant Lav. Filler

3.) Lavatory Valve Selection:

- NV No Valve
 PSL1 Single Temp. Pneumatic Non-metering
 PSL2 Dual Temp. Pneumatic Non-metering
 PML1 Single Temp. Pneumatic Metering
 PML2 Dual Temp. Pneumatic Metering
 E1L1 Single Temp. Electronic (pick control)*
 E1L2 Dual Temp. Electronic (pick control)*

Valve Manifold Options:

Pneumatic or Electronic Only:

- MA2 MA3 MA4

4.) Lavatory Valve Actuation:

- PPB Pneumatic Push Buttons
 PBH Ligature-resistant Push Buttons
 EPB Electronic Push Buttons*
 EPBH Ligature-resistant Electronic Push Buttons*
 PZPB Piezo Electronic Push Buttons*

5.) Electronic Controls* (Must Use Electronic Push Button):

- WUCC-3010 Pneutronic WMSII

(The WUCC-3010 Control can be used to pair a Lavatory with a Toilet)

6.) Lavatory Waste:

- EB Elbow Waste (Standard)
 PT Integral 'P'-Trap
 LWL Lavatory Waste Extension
 OV Lavatory Overflow
 SLOW Slow Drain
 LW1 Thru-Wall Extension, 'P'-Trap
 LW2 Thru-Wall Extension and Clean-Out

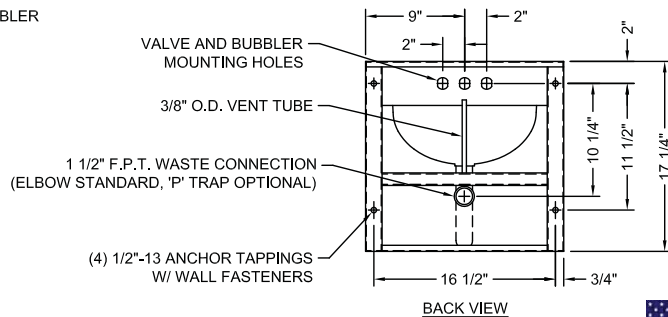
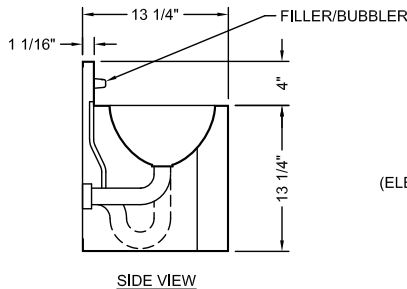
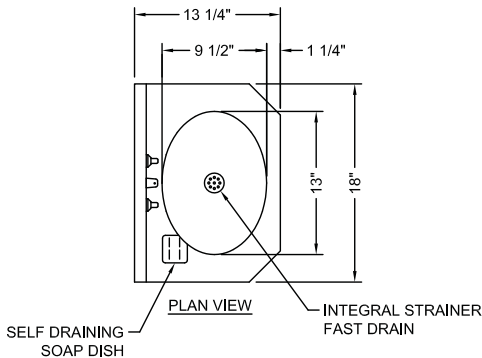
7.) Options:

- MT Wall Template
 TB1 Single Toothbrush Holder
 Right Left
 TB2 Dual Toothbrush Holder
 Right Left
 TF24H Hard-wired Transformer, 110VAC to 24VAC*
 TF24P Plug-in Transformer, 110VAC to 24VAC*
 TH1 Single Towel Hook
 Right Left
 TH2 Dual Towel Hook
 Right Left
 WS Wall Sleeve (Requires Accessible Chase)
 ISH Integral Shelf
 VG Ventilation Grille (Specify Location and Free Area)
 Other: _____
 Other: _____

*(Req. 110V power through ground fault interrupter (GFCI) receptacle)

Approved For Manufacturing By: _____ Date: _____ Company: _____
 Wall Thickness: _____ Wall Type: _____

VERIFY ALL DIMENSIONS WITH FACTORY PRIOR TO ROUGH-IN
 WILLOUGHBY RESERVES THE RIGHT TO MAKE CHANGES IN DESIGN AND DIMENSIONS WITHOUT FORMAL NOTICE AND WITHOUT INCURRING OBLIGATION.



visit our website at www.willoughby-ind.com

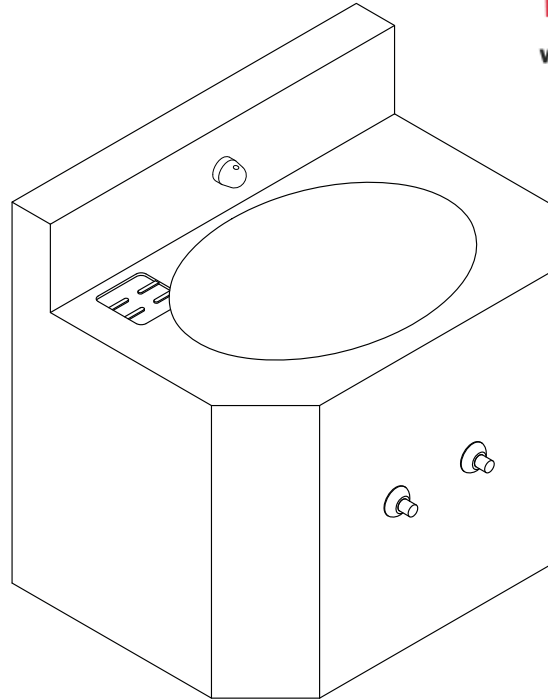
5105 West 78th Street • Indianapolis, IN. 46268

(317) 875-0830 • Fax: (317) 875-0837 • (800) 428-4065



MADE IN THE U.S.A.

HS-1013-96-FA 18" Wide Front Access Rectangular Cabinet Lavatory



(Unit may be shown with optional features)

To specify fixture and accessories, use the Model Number and Options page.

Example: To specify an 18" Wide, Front Access, Rectangular Cabinet Lavatory with code bubbler, dual temp. pneumatic metering valve, pneumatic push buttons, and removable 'p'-trap

Use the following Willoughby Model Number:

HS-1013-96-FA-BC-PML2-PPB-RPT

Recommended Specifications

18" Wide, Front Access, Rectangular Cabinet Lavatory shall be: Willoughby Model No. **HS-1013-96-FA**
(Select from model number and options list on next page)

Fixture shall be fabricated from 14 GA., Type 304 stainless steel. The construction shall be all welded, with exposed stainless surfaces polished to a #4 satin finish.

Standard lavatory shall include:

- Oval-shaped bowl, 13" x 9-1/2" x 6" deep
- Stainless steel penal bubbler/filler
- Fast drain with air vent
- (1-1/2") slip joint, cast brass 'p'-trap
- Removable bottom panel attached w/ vandal resistant screws
- Self-draining soap dish

Anchoring shall be from the front with 'z'-clip and anchoring holes provided. Anchoring hardware by others. Unit requires no chase area for installation and maintenance.

visit our website at www.willoughby-ind.com

5105 West 78th Street • Indianapolis, IN. 46268

(317) 875-0830 • Fax: (317) 875-0837 • (800) 428-4065



MADE IN THE U.S.A.

MODEL NUMBER AND OPTIONS:

1.) Base Model Number:

- HS-1013-96-FA 18" Wide, Front Access, Rectangular Cabinet Lavatory

2.) Bubblers Selection:

- BP Penal Bubbler/Filler (Standard)
 BC Code Bubbler/Filler
 BPH Ligature-resistant Bubbler/Filler
 FL Penal Lav. Filler
 FLH Ligature-resistant Lav. Filler

3.) Lavatory Valve Selection:

- NV No Valve
 PSL1 Single Temp. Pneumatic Non-metering
 PSL2 Dual Temp. Pneumatic Non-metering
 PML1 Single Temp. Pneumatic Metering
 PML2 Dual Temp. Pneumatic Metering
 E1L1 Single Temp. Electronic (pick control)*
 E1L2 Dual Temp. Electronic (pick control)*

4.) Lavatory Valve Actuation:

- PPB Pneumatic Push Buttons
 PBH Ligature-resistant Push Buttons
 EPB Electronic Push Buttons*
 EPBH Ligature-resistant Electronic Push Buttons*
 PZPB Piezo Electronic Push Buttons*

5.) Electronic Controls* (Must Use Electronic Push Button):

- WUCC-3010 Pneutronic WMSII
 (The WUCC-3010 Control can be used to pair a Lavatory with a Toilet)

6.) Lavatory Waste:

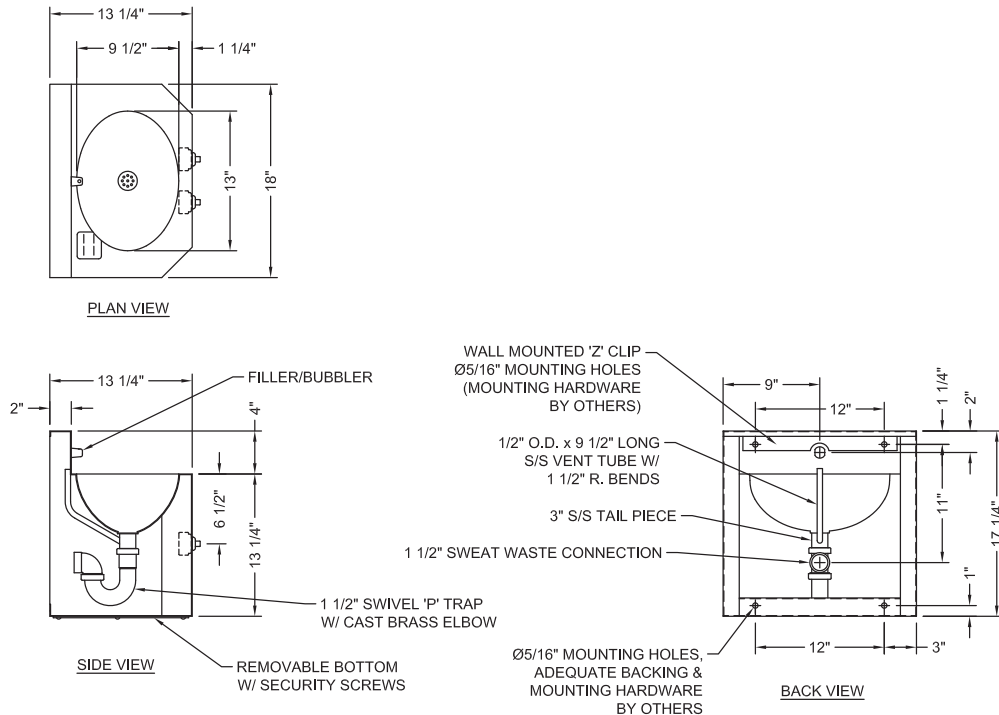
- RPT Removable 'P'-Trap (Standard)
 OV Lavatory Overflow
 SLOW Slow Drain

7.) Options:

- MT Wall Template
 TB1 Single Toothbrush Holder
 Right Left
 TB2 Dual Toothbrush Holder
 Right Left
 TF24H Hard-wired Transformer, 110VAC to 24VAC*
 TF24P Plug-in Transformer, 110VAC to 24VAC*
 TH1 Single Towel Hook
 Right Left
 TH2 Dual Towel Hook
 Right Left
 ISH Integral Shelf
 Other: _____
 Other: _____
 *(Req. 110V power through ground fault interrupter (GFCI) receptacle)

Approved For Manufacturing By: _____ Date: _____ Company: _____
 Wall Thickness: _____ Wall Type: _____

VERIFY ALL DIMENSIONS WITH FACTORY PRIOR TO ROUGH-IN
 WILLOUGHBY RESERVES THE RIGHT TO MAKE CHANGES IN DESIGN AND DIMENSIONS WITHOUT FORMAL NOTICE AND WITHOUT INCURRING OBLIGATION.

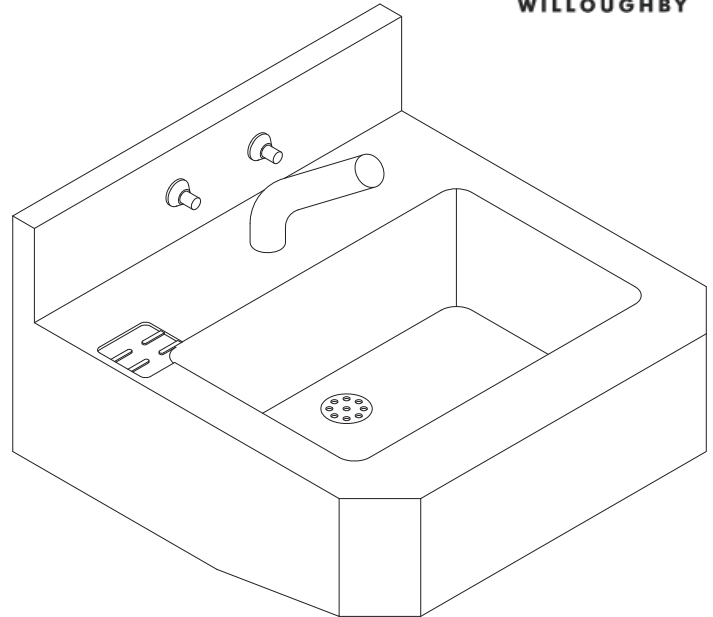


visit our website at www.willoughby-ind.com
 5105 West 78th Street • Indianapolis, IN. 46268
 (317) 875-0830 • Fax: (317) 875-0837 • (800) 428-4065



MADE IN THE U.S.A.

HS-1014-96-HC 18" Wide Rear Mounted Handicap-ADA Compliant Rectangular Bowl Lavatory



(Unit may be shown with optional features)

To specify fixture and accessories, use the Model Number and Options page.

Example: To specify an 18" Wide, Rear Mounted, Handicap-ADA Compliant, Rectangular Bowl Lavatory with dual temp. pneumatic metering valve, pneumatic push buttons, deck mounted spout, standard elbow waste, and wall sleeve

Use the following Willoughby Model Number:

HS-1014-96-HC-PML2-PPB-DMS-EB-WS

Recommended Specifications

18" Wide, Rear Mounted, Handicap-ADA Compliant, Rectangular Bowl Lavatory shall be:
Willoughby Model No. **HS-1014-96-HC**
(Select from model number and options list on next page)

Fixture shall be fabricated from 14 GA., Type 304 stainless steel. The construction shall be all welded, with exposed stainless surfaces polished to a #4 satin finish.

Standard lavatory shall include:

- Rectangular-shaped bowl, 14-1/2" x 9-1/2" x 5-1/2" deep
- Fast drain with air vent
- Elbow waste (1-1/2" F.I.P.)
- Self-draining soap dish

Cabinet interior shall be sound deadened with fire-resistant material.

Anchoring shall be by standard 4-point system: threaded rods, nuts and washers shall be furnished for walls up to 8" thick. Unit shall require chase area for installation and maintenance.

Note: Only deck mounted Willoughby lavatory spouts and filler/bubblers are available with this lavatory model.

visit our website at www.willoughby-ind.com

5105 West 78th Street • Indianapolis, IN. 46268
(317) 875-0830 • Fax: (317) 875-0837 • (800) 428-4065



MADE IN THE U.S.A.

MODEL NUMBER AND OPTIONS:

1.) Base Model Number:

- HS-1014-96-HC 18" Wide, Rear Mounted, Handicap-ADA Compliant, Rectangular Bowl Lavatory

2.) Spout/Bubbler Selection:

- DMS Deck Mounted Spout
 DMB Deck Mounted Bubbler
 DMBH Ligature-resistant Deck Mounted Bubbler

3.) Lavatory Valve Selection:

- NV No Valve (Select Hole Punching if needed)
 PML1 Single Temp. Pneumatic Metering
 PML2 Dual Temp. Pneumatic Metering
 E1L1 Single Temp. Electronic (pick control)*
 E1L2 Dual Temp. Electronic (pick control)*

Valve Manifold Options:

- Pneumatic or Electronic Only:*
 MA2 MA3 MA4

4.) Lavatory Valve Actuation:

- PPB Pneumatic Push Buttons
 PBH Ligature-resistant Push Buttons
 EPB Electronic Push Buttons*
 EPBH Ligature-resistant Electronic Push Buttons*
 PZPB Piezo Electronic Push Buttons*

5.) Electronic Controls* (Must Use Electronic Push Button):

- WUCC-3010 Pneutronic WMSII
 (The WUCC-3010 Control can be used to pair a Lavatory with a Toilet)

6.) Hole Punching:

- 4CC 4" Centerset, Ø1" Holes (Specify 2 or 3 holes: ___)
 8CC 8" Centerset, Ø1" Holes (Specify 2 or 3 holes: ___)
 1CC Center Shank, (1) Ø1" Hole
 SP Special Punching (Specify hole punching dim.)
 SP: _____

7.) Lavatory Waste:

- EB Elbow Waste (Standard)
 PT Integral 'P'-Trap
 LWL Lavatory Waste Extension
 OV Lavatory Overflow
 SLOW Slow Drain
 LW1 Thru-Wall Extension, 'P'-Trap
 LW2 Thru-Wall Extension and Clean-Out

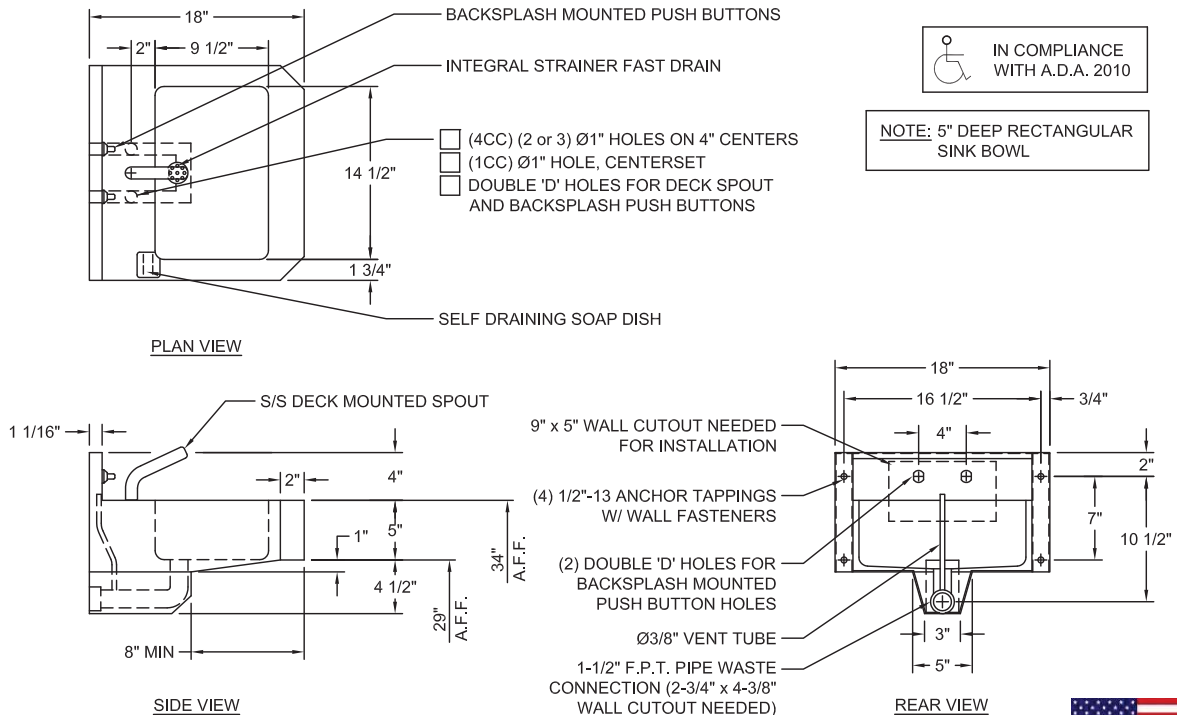
8.) Options:

- MT Wall Template
 TB1 Single Toothbrush Holder
 Right Left
 TB2 Dual Toothbrush Holder
 Right Left
 TF24H Hard-wired Transformer, 110VAC to 24VAC*
 TF24P Plug-in Transformer, 110VAC to 24VAC*
 TH1 Single Towel Hook
 Right Left
 TH2 Dual Towel Hook
 Right Left
 DC Decorator Color (Fixture exterior only - White)
 WS Wall Sleeve (Requires Accessible Chase)
 ISH Integral Shelf
 VG Ventilation Grille (Specify Location and Free Area)
 Other: _____
 Other: _____

*(Req. 110V power through ground fault interrupter (GFCI) receptacle)

Approved For Manufacturing By: _____ Date: _____ Company: _____
 Wall Thickness: _____ Wall Type: _____

VERIFY ALL DIMENSIONS WITH FACTORY PRIOR TO ROUGH-IN
 WILLOUGHBY RESERVES THE RIGHT TO MAKE CHANGES IN DESIGN AND DIMENSIONS WITHOUT FORMAL NOTICE AND WITHOUT INCURRING OBLIGATION.



IN COMPLIANCE WITH A.D.A. 2010

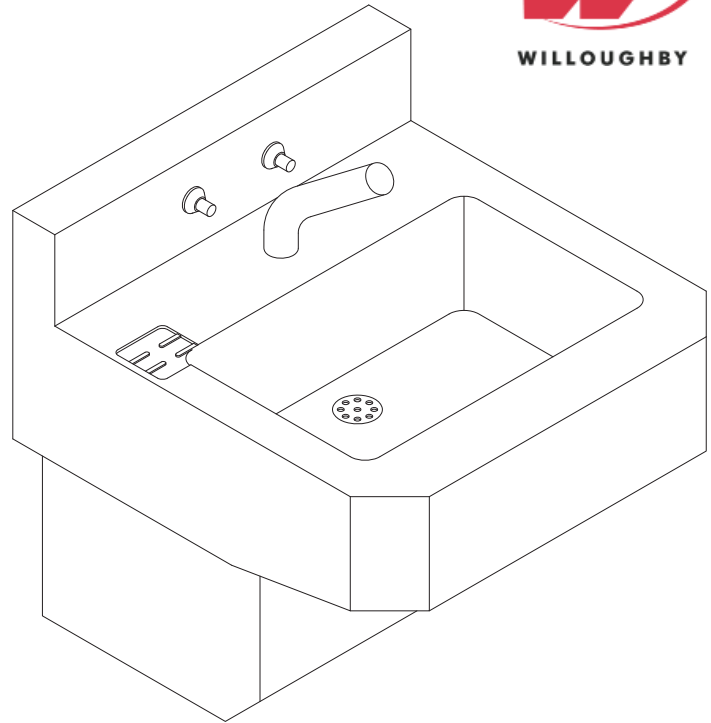
NOTE: 5" DEEP RECTANGULAR SINK BOWL

visit our website at www.willoughby-ind.com
 5105 West 78th Street • Indianapolis, IN. 46268
 (317) 875-0830 • Fax: (317) 875-0837 • (800) 428-4065



MADE IN THE U.S.A.

HS-1014-96-HC-FA 18" Wide Front Access Handicap-ADA Compliant Rectangular Bowl Lavatory



(Unit may be shown with optional features)



To specify fixture and accessories, use the Model Number and Options page.
Example: To specify an 18" Wide, Front Access, Handicap-ADA Compliant, Rectangular Bowl Lavatory with dual temp. pneumatic metering valve, pneumatic push buttons, deck mounted spout, standard removable 'p'-trap, and wall template
Use the following Willoughby Model Number:
HS-1014-96-HC-FA-PML2-PPB-DMS-RPT-MT

Recommended Specifications

18" Wide, Front Access, Handicap-ADA Compliant, Rectangular Bowl Lavatory shall be:
Willoughby Model No. **HS-1014-96-HC-FA**
(Select from model number and options list on next page)

Fixture shall be fabricated from 14 GA., Type 304 stainless steel. The construction shall be all welded, with exposed stainless surfaces polished to a #4 satin finish.

Standard lavatory shall include:

- Rectangular-shaped bowl, 14-1/2" x 9-1/2" x 5-1/2" deep
- Fast drain with air vent
- (1-1/2") slip joint, cast brass union 'p' trap
- Removable bottom panel attached with vandal resistant screws
- Self-draining soap dish

Anchoring shall be from the front with 'z' clip, anchoring holes provided. Anchoring hardware by others. Unit requires no chase area for installation and maintenance.

Note: Only deck mounted Willoughby lavatory spouts and filler/bubblers are available with this lavatory model.

MODEL NUMBER AND OPTIONS:

1.) Base Model Number:

- HS-1014-96-HC-FA 18" Wide, Front Access, Handicap-ADA Compliant, Rectangular Bowl Lavatory

2.) Spout/Bubbler Selection:

- DMS Deck Mounted Spout
 DMB Deck Mounted Bubbler
 DMBH Ligature-resistant Deck Mounted Bubbler

3.) Lavatory Valve Selection:

- NV No Valve (Select Hole Punching if needed)
 PML1 Single Temp. Pneumatic Metering
 PML2 Dual Temp. Pneumatic Metering
 E1L1 Single Temp. Electronic (pick control)*
 E1L2 Dual Temp. Electronic (pick control)*

4.) Lavatory Valve Actuation:

- PPB Pneumatic Push Buttons
 PBH Ligature-resistant Push Buttons
 EPB Electronic Push Buttons*
 EPBH Ligature-resistant Electronic Push Buttons*
 PZPB Piezo Electronic Push Buttons*

5.) Electronic Controls* (Must Use Electronic Push Button):

- WUCC-3010 Pneutronic WMSII
 (The WUCC-3010 Control can be used to pair a Lavatory with a Toilet)

6.) Hole Punching:

- 4CC 4" Centerset, Ø1" Holes (Specify 2 or 3 holes: ___)
 8CC 8" Centerset, Ø1" Holes (Specify 2 or 3 holes: ___)
 1CC Center Shank, (1) Ø1" Hole
 SP Special Punching (Specify hole punching dim.)
 SP: _____

7.) Lavatory Waste:

- RPT Removable 'P'-Trap (Standard)
 OV Lavatory Overflow
 SLOW Slow Drain

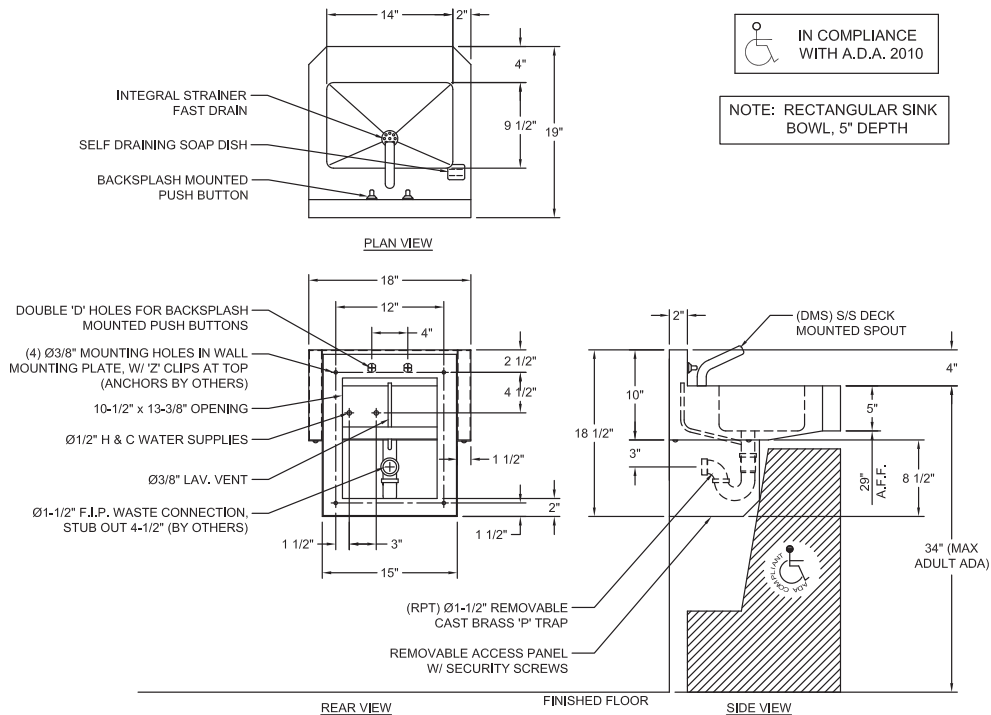
8.) Options:

- MT Wall Template
 TB1 Single Toothbrush Holder
 Right Left
 TB2 Dual Toothbrush Holder
 Right Left
 TF24H Hard-wired Transformer, 110VAC to 24VAC*
 TF24P Plug-in Transformer, 110VAC to 24VAC*
 TH1 Single Towel Hook
 Right Left
 TH2 Dual Towel Hook
 Right Left
 DC Decorator Color (Fixture exterior only - White)
 ISH Integral Shelf
 Other: _____
 Other: _____

*(Req. 110V power through ground fault interrupter (GFCI) receptacle)

Approved For Manufacturing By: _____ Date: _____ Company: _____
 Wall Thickness: _____ Wall Type: _____

VERIFY ALL DIMENSIONS WITH FACTORY PRIOR TO ROUGH-IN
 WILLOUGHBY RESERVES THE RIGHT TO MAKE CHANGES IN DESIGN AND DIMENSIONS WITHOUT FORMAL NOTICE AND WITHOUT INCURRING OBLIGATION.



 IN COMPLIANCE WITH A.D.A. 2010

NOTE: RECTANGULAR SINK BOWL, 5" DEPTH

visit our website at www.willoughby-ind.com

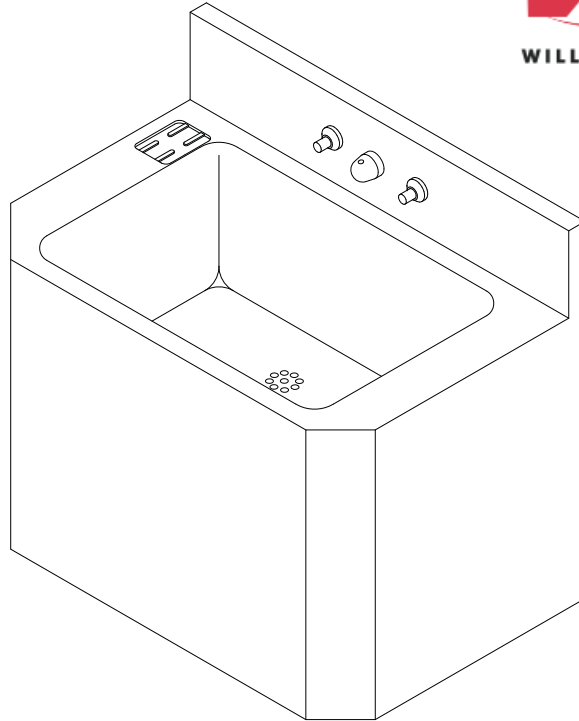
5105 West 78th Street • Indianapolis, IN. 46268

(317) 875-0830 • Fax: (317) 875-0837 • (800) 428-4065



MADE IN THE U.S.A.

HS-1015-20 20" Wide Rear Mounted Rectangular Bowl Lavatory



(Unit may be shown with optional features)

To specify fixture and accessories, use the Model Number and Options page.

Example: To specify a 20" Wide, Rear Mounted, Rectangular Bowl Lavatory with code bubbler, dual temp. pneumatic metering valve, pneumatic push buttons, integral "P" trap, single towel hook, and wall sleeve

Use the following Willoughby Model Number:

HS-1015-20-BC-PML2-PPB-PT-TH1-WS

Recommended Specifications

20" Wide, Rear Mounted, Rectangular Bowl Lavatory shall be:
Willoughby Model No. **HS-1015-20**
(Select from model number and options list on next page)

Fixture shall be fabricated from 14 GA., Type 304 stainless steel. The construction shall be all welded, with exposed stainless surfaces polished to a #4 satin finish.

Standard lavatory shall include:

- Rectangular-shaped bowl, 9-1/2" x 14-1/2" x 6" deep
- Stainless steel penal bubbler/filler
- Fast drain with air vent
- Elbow waste (1-1/2" F.I.P.)
- Self-draining soap dish

Cabinet interior shall be sound deadened with fire-resistant material.

Anchoring shall be by standard 4-point system: threaded rods, nuts and washers shall be furnished for walls up to 8" thick. Unit shall require chase area for installation and maintenance.

visit our website at www.willoughby-ind.com

5105 West 78th Street • Indianapolis, IN. 46268

(317) 875-0830 • Fax: (317) 875-0837 • (800) 428-4065



MADE IN THE U.S.A.

MODEL NUMBER AND OPTIONS:

1.) Base Model Number:

- HS-1015-20 20" Wide, Rear Mounted, Rectangular Bowl Lavatory

2.) Bubblers Selection:

- BP Penal Bubbler/Filler (Standard)
 BC Code Bubbler/Filler
 BPH Ligature-resistant Bubbler/Filler
 FL Penal Lav. Filler
 FLH Ligature-resistant Lav. Filler

3.) Lavatory Valve Selection:

- NV No Valve
 PSL1 Single Temp. Pneumatic Non-metering
 PSL2 Dual Temp. Pneumatic Non-metering
 PML1 Single Temp. Pneumatic Metering
 PML2 Dual Temp. Pneumatic Metering
 E1L1 Single Temp. Electronic (pick control)*
 E1L2 Dual Temp. Electronic (pick control)*

Valve Manifold Options:

Pneumatic or Electronic Only:

- MA2 MA3 MA4

4.) Lavatory Valve Actuation:

- PPB Pneumatic Push Buttons
 PBH Ligature-resistant Push Buttons
 EPB Electronic Push Buttons*
 EPBH Ligature-resistant Electronic Push Buttons*
 PZPB Piezo Electronic Push Buttons*

5.) Electronic Controls* (Must Use Electronic Push Button):

- WUCC-3010 Pneutronic WMSII

(The WUCC-3010 Control can be used to pair a Lavatory with a Toilet)

6.) Lavatory Waste:

- EB Elbow Waste (Standard)
 PT Integral 'P'-Trap
 LWL Lavatory Waste Extension
 OV Lavatory Overflow
 SLOW Slow Drain
 LW1 Thru-Wall Extension, 'P'-Trap
 LW2 Thru-Wall Extension and Clean-Out

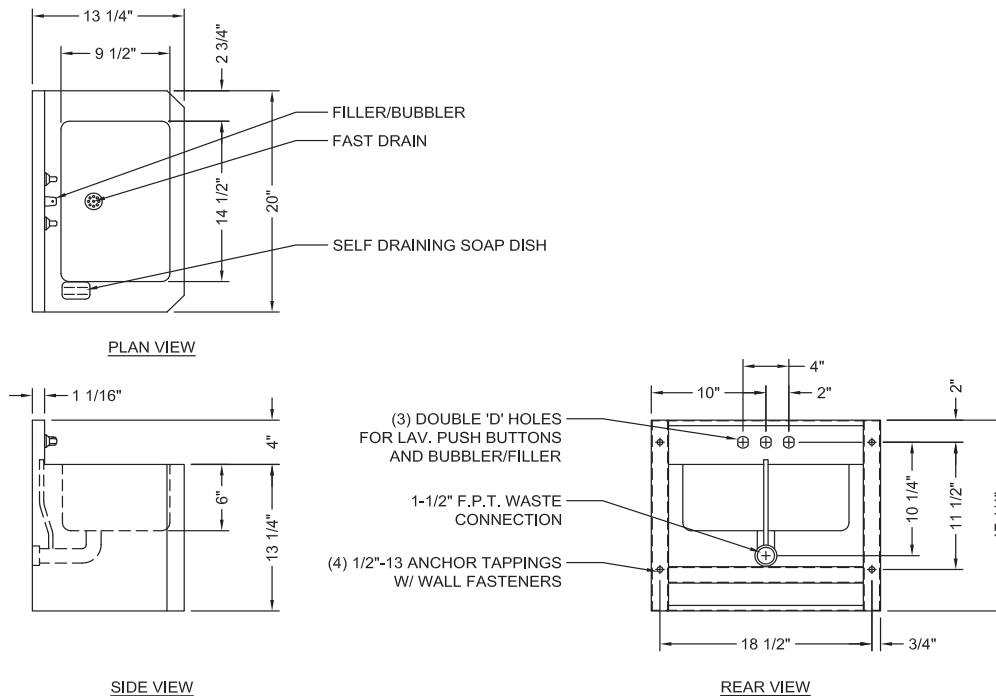
7.) Options:

- MT Wall Template
 TB1 Single Toothbrush Holder
 Right Left
 TB2 Dual Toothbrush Holder
 Right Left
 TF24H Hard-wired Transformer, 110VAC to 24VAC*
 TF24P Plug-in Transformer, 110VAC to 24VAC*
 TH1 Single Towel Hook
 Right Left
 TH2 Dual Towel Hook
 Right Left
 WS Wall Sleeve (Requires Accessible Chase)
 ISH Integral Shelf
 VG Ventilation Grille (Specify Location and Free Area)
 Other: _____
 Other: _____

*(Req. 110V power through ground fault interrupter (GFCI) receptacle)

Approved For Manufacturing By: _____ Date: _____ Company: _____
 Wall Thickness: _____ Wall Type: _____

VERIFY ALL DIMENSIONS WITH FACTORY PRIOR TO ROUGH-IN
 WILLOUGHBY RESERVES THE RIGHT TO MAKE CHANGES IN DESIGN AND DIMENSIONS WITHOUT FORMAL NOTICE AND WITHOUT INCURRING OBLIGATION.

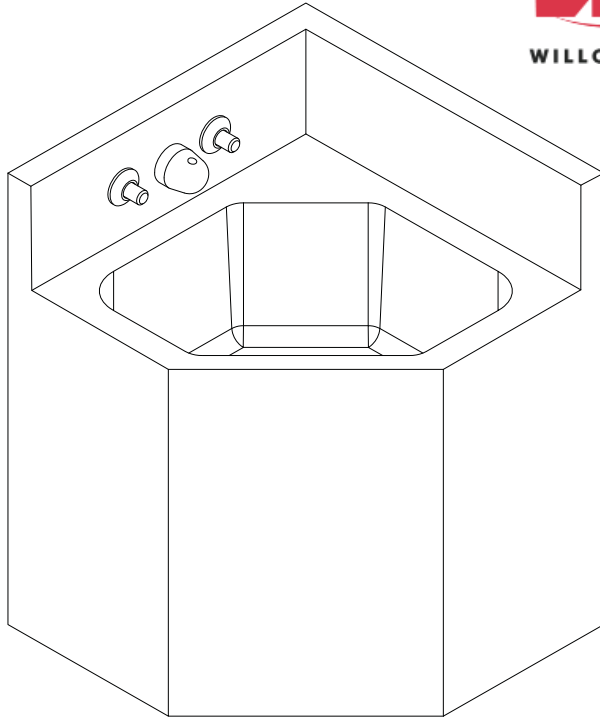


visit our website at www.willoughby-ind.com
 5105 West 78th Street • Indianapolis, IN. 46268
 (317) 875-0830 • Fax: (317) 875-0837 • (800) 428-4065



MADE IN THE U.S.A.

CS-1013-46 13" Wide Corner Lavatory



(Unit may be shown with optional features)

To specify fixture and accessories, use the Model Number and Options page.

Example: To specify a 13" Wide Corner Lavatory, left hand with code bubbler, dual temp. pneumatic metering valve, pneumatic push buttons, elbow waste, and single towel hook

Use the following Willoughby Model Number:

CS-1013-46-L-BC-PML2-PPB-EB-TH1

Recommended Specifications

13" Wide, Corner Lavatory shall be:

Willoughby Model No. **CS-1013-46**

(Select from model number and options list on next page)

Fixture shall be fabricated from 14 GA., Type 304 stainless steel.

The construction shall be all welded, with exposed stainless surfaces polished to a #4 satin finish.

Standard lavatory shall include:

- Multi-sided bowl, 12-3/4" x 8-1/4" x 5" deep
- Stainless steel penal bubbler/filler
- Fast drain with air vent
- Elbow waste (1-1/2" F.I.P.)
- Self-draining soap dish

Cabinet interior shall be sound deadened with fire-resistant material.

Anchoring shall be by standard 4-point system: threaded rods, nuts and washers shall be furnished for walls up to 8" thick. Unit shall require chase area for installation and maintenance.

visit our website at www.willoughby-ind.com

5105 West 78th Street • Indianapolis, IN. 46268

(317) 875-0830 • Fax: (317) 875-0837 • (800) 428-4065



MADE IN THE U.S.A.

MODEL NUMBER AND OPTIONS:

1.) Base Model Number:

CS-1013-46 13" Wide, Corner Lavatory

2.) Cabinet Mounting:

L Left Hand
 R Right Hand

3.) Bubbler Selection:

BP Penal Bubbler/Filler (Standard)
 BC Code Bubbler/Filler
 BPH Ligature-resistant Bubbler/Filler
 FL Penal Lav. Filler
 FLH Ligature-resistant Lav. Filler

4.) Lavatory Valve Selection:

NV No Valve
 PSL1 Single Temp. Pneumatic Non-metering
 PSL2 Dual Temp. Pneumatic Non-metering
 PML1 Single Temp. Pneumatic Metering
 PML2 Dual Temp. Pneumatic Metering
 E1L1 Single Temp. Electronic (pick control)*
 E1L2 Dual Temp. Electronic (pick control)*

Valve Manifold Options:

Pneumatic or Electronic Only:

MA2 MA3 MA4

5.) Lavatory Valve Actuation:

PPB Pneumatic Push Buttons
 PBH Ligature-resistant Push Buttons
 EPB Electronic Push Buttons*
 EPBH Ligature-resistant Electronic Push Buttons*
 PZPB Piezo Electronic Push Buttons*

6.) Electronic Controls* (Must Use Electronic Push Button):

WUCC-3010 Pneutronic WMSII
 (The WUCC-3010 Control can be used to pair a Lavatory with a Toilet)

7.) Lavatory Waste:

EB Elbow Waste (Standard)
 PT Integral 'P'-Trap
 LWE Lavatory Waste Extension
 OV Lavatory Overflow
 SLOW Slow Drain
 LW1 Thru-Wall Extension, 'P'-Trap
 LW2 Thru-Wall Extension and Clean-Out

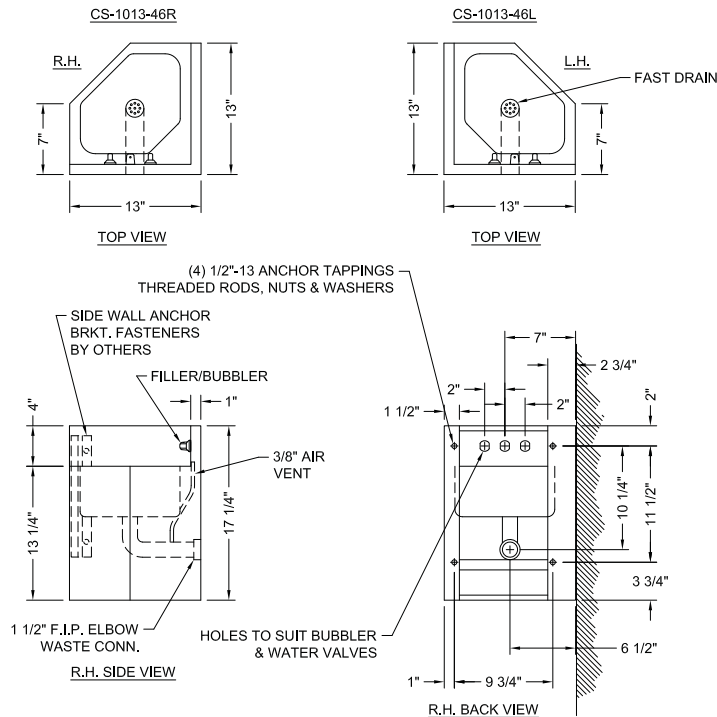
8.) Options:

MT Wall Template
 TB1 Single Toothbrush Holder
 Right Left
 TB2 Dual Toothbrush Holder
 Right Left
 TF24H Hard-wired Transformer, 110VAC to 24VAC*
 TF24P Plug-in Transformer, 110VAC to 24VAC*
 TH1 Single Towel Hook
 Right Left
 TH2 Dual Towel Hook
 Right Left
 WS Wall Sleeve (Requires Accessible Chase)
 VG Ventilation Grille (Specify Location and Free Area)
 Other: _____
 Other: _____

* (Req. 110V power through ground fault interrupter (GFCI) receptacle)

Approved For Manufacturing By: _____ Date: _____ Company: _____
 Wall Thickness: _____ Wall Type: _____

VERIFY ALL DIMENSIONS WITH FACTORY PRIOR TO ROUGH-IN
 WILLOUGHBY RESERVES THE RIGHT TO MAKE CHANGES IN DESIGN AND DIMENSIONS WITHOUT FORMAL NOTICE AND WITHOUT INCURRING OBLIGATION.

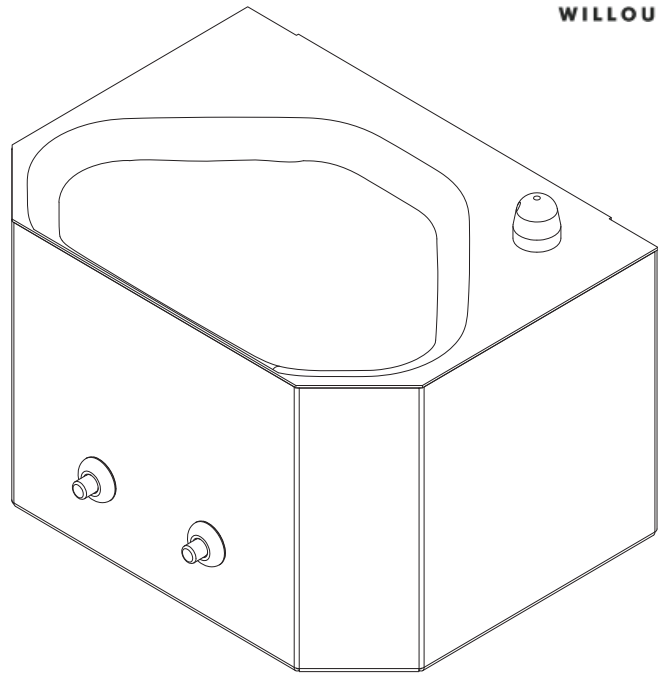


visit our website at www.willoughby-ind.com
 5105 West 78th Street • Indianapolis, IN. 46268
 (317) 875-0830 • Fax: (317) 875-0837 • (800) 428-4065



MADE IN THE U.S.A.

CHS-1013-46 China Alternative Lavatory



(Unit may be shown with optional features)

To specify fixture and accessories, use the Model Number and Options page.

Example: To specify a China Alternative Lavatory with dual temp. pneumatic metering valve, pneumatic push buttons, elbow waste, and single towel hook

Use the following Willoughby Model Number:

CHS-1013-46-PML2-PPB-EB-TH1

Recommended Specifications

China Alternative Lavatory shall be:
Willoughby Model No. **CHS-1013-46**
(Select from model number and options list on next page)

Fixture shall be fabricated from 16 GA., Type 304 stainless steel. The construction shall be all welded, with exposed stainless surfaces having a bead blast finish. Lavatory underside shall be exposed with non-polished finish.

Standard lavatory shall include:

- Multi-sided bowl, 12-3/4" x 8-1/4" x 5" deep
- Stainless steel deck mounted bubbler
- Fast drain with air vent
- Integral elbow waste w/ 6-1/2" lav. waste extension and Ø1-1/2" no-hub waste connection

Anchoring shall be by standard 4-point system: threaded rods, nuts and washers. Unit is wall hung and shall require chase area for installation and maintenance.

visit our website at www.willoughby-ind.com

5105 West 78th Street • Indianapolis, IN. 46268
(317) 875-0830 • Fax: (317) 875-0837 • (800) 428-4065



MADE IN THE U.S.A.

MODEL NUMBER AND OPTIONS:

1.) Base Model Number:

CHS-1013-46 China Alternative Lavatory

2.) Bubbler Selection:

DMB Deck Mounted Bubbler (Standard)

3.) Lavatory Valve Selection:

- NV No Valve
- PSL1 Single Temp. Pneumatic Non-metering
- PSL2 Dual Temp. Pneumatic Non-metering
- PML1 Single Temp. Pneumatic Metering
- PML2 Dual Temp. Pneumatic Metering
- E1L1 Single Temp. Electronic (pick control)*
- E1L2 Dual Temp. Electronic (pick control)*

Valve Manifold Options:

Pneumatic or Electronic Only:

MA2 MA3 MA4

4.) Lavatory Valve Actuation:

- PPB Pneumatic Push Buttons
- PBH Ligature-resistant Push Buttons
- EPB Electronic Push Buttons*
- EPBH Ligature-resistant Electronic Push Buttons*
- PZPB Piezo Electronic Push Buttons*

5.) Electronic Controls* (Must Use Electronic Push Button):

- WUCC-3010 Pneutronic WMSII
- (The WUCC-3010 Control can be used to pair a Lavatory with a Toilet)

6.) Lavatory Waste:

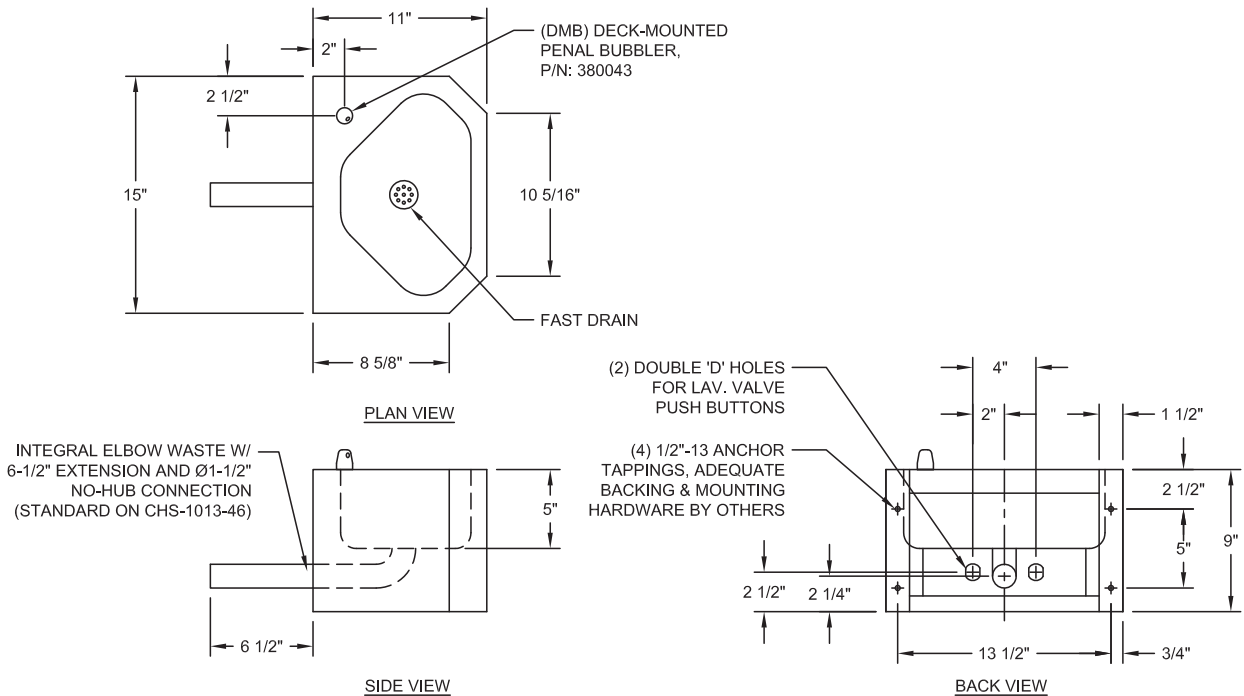
- Integral Elbow Waste w/ 6-1/2" Lav. Waste Extension and 1-1/2" No-hub Waste Connection (Standard)
- EB Elbow Waste (Standard)
- PT Integral 'P'-Trap
- LWL Lavatory Waste Extension
- OV Lavatory Overflow
- SLOW Slow Drain
- LW1 Thru-Wall Extension, 'P'-Trap
- LW2 Thru-Wall Extension and Clean-Out

7.) Options:

- MT Wall Template
 - TB1 Single Toothbrush Holder
 - Right Left
 - TB2 Dual Toothbrush Holder
 - Right Left
 - TF24H Hard-wired Transformer, 110VAC to 24VAC*
 - TF24P Plug-in Transformer, 110VAC to 24VAC*
 - TH1 Single Towel Hook
 - Right Left
 - TH2 Dual Towel Hook
 - Right Left
 - WS Wall Sleeve (Requires Accessible Chase)
 - ISH Integral Shelf
 - Other: _____
 - Other: _____
- *(Req. 110V power through ground fault interrupter (GFCI) receptacle)

Approved For Manufacturing By: _____ Date: _____ Company: _____
 Wall Thickness: _____ Wall Type: _____

VERIFY ALL DIMENSIONS WITH FACTORY PRIOR TO ROUGH-IN
 WILLOUGHBY RESERVES THE RIGHT TO MAKE CHANGES IN DESIGN AND DIMENSIONS WITHOUT FORMAL NOTICE AND WITHOUT INCURRING OBLIGATION.



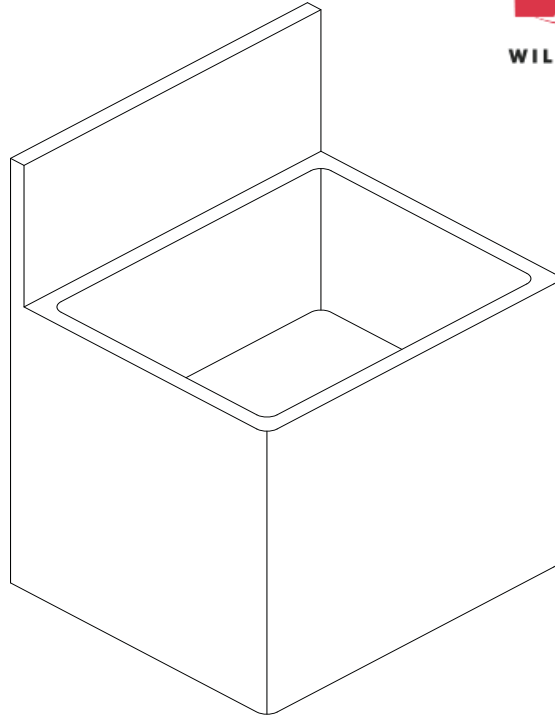
visit our website at www.willoughby-ind.com
 5105 West 78th Street • Indianapolis, IN. 46268
 (317) 875-0830 • Fax: (317) 875-0837 • (800) 428-4065



MADE IN THE U.S.A.



SS Series Rear Mounted Service Sink



(Unit may be shown with optional features)

To specify fixture and accessories, use the Model Number and Options page.

Example: To specify a 22" x 19" Rear Mounted Service Sink with no valves and standard elbow waste

Use the following Willoughby Model Number:

SS-2219-NV-EB

Recommended Specifications

Service Sink shall be:

Willoughby Model No. **SS**

(Select from model number and options list on next page)

Entire fixture, including bracing and internal plumbing, shall be fabricated from 14 GA., Type 304 stainless steel. The construction shall be all welded, with exposed stainless surfaces polished to a #4 satin finish.

Standard equipment shall include:

- Rectangular shaped, 10" deep sink bowl
- Fast drain with air vent
- Elbow waste (2" F.I.P.)

Anchoring shall be by 6 or 8 point system: threaded rods, nuts and washers furnished for walls up to 8" thick. Unit requires chase area for installation and maintenance.

visit our website at www.willoughby-ind.com

5105 West 78th Street • Indianapolis, IN. 46268

(317) 875-0830 • Fax: (317) 875-0837 • (800) 428-4065



MADE IN THE U.S.A.

MODEL NUMBER AND OPTIONS:

1.) Base Model Number:

- SS-2219 22" x 19" Service Sink
 SS-2419 24" x 19" Service Sink

2.) Fixture Mounting & Waste:

- OF Off-Floor, Wall Outlet
 FM On-Floor, Wall Outlet

3.) Spout Selection:

- SE Spout with Plain End
 SH Spout with Hose End
 VB Vacuum Breaker (For use with (SH) Hose End Spout)

4.) Lavatory Valve Selection:

- NV No Valve (Select Hole Punching if needed)
 PSL1 Single Temp. Pneumatic Non-metering
 PSL2 Dual Temp. Pneumatic Non-metering
 PML1 Single Temp. Pneumatic Metering
 PML2 Dual Temp. Pneumatic Metering
 E1L1 Single Temp. Electronic (pick control)*
 E1L2 Dual Temp. Electronic (pick control)*

Valve Manifold Options:

Pneumatic or Electronic Only:

- MA2 MA3 MA4

5.) Lavatory Valve Actuation:

- PPB Pneumatic Push Buttons
 PBH Ligature-resistant Push Buttons
 EPB Electronic Push Buttons*
 EPBH Ligature-resistant Electronic Push Buttons*
 PZPB Piezo Electronic Push Buttons*

6.) Electronic Controls* (Must Use Electronic Push Button):

- WUCC-3010 Pneutronic WMSII
 (The WUCC-3010 Control can be used to pair a Sink with a Toilet)

7.) Hole Punching:

- 4CC 4" Centerset, Ø1" Holes (Specify 2 or 3 holes: ___)
 8CC 8" Centerset, Ø1" Holes (Specify 2 or 3 holes: ___)
 1CC Center Shank, (1) Ø1" Hole
 SP Special Punching (Specify hole punching dim.)
 SP: _____

8.) Lavatory Waste:

- EB Elbow Waste (Standard)
 PT Integral 'P'-Trap
 LWE Lavatory Waste Extension

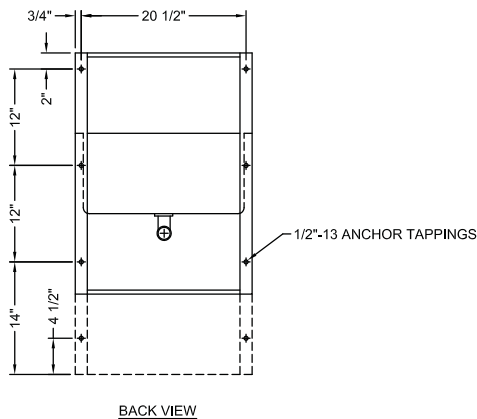
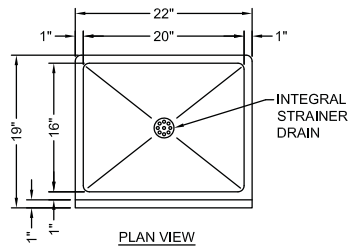
9.) Options:

- MT Wall Template
 WS Wall Sleeve (Requires Accessible Chase)
 SD Surface Mounted Soap Dish
 TF24H Hard-wired Transformer, 110VAC to 24VAC*
 TF24P Plug-in Transformer, 110VAC to 24VAC*
 VG Ventilation Grille (Specify Location and Free Area)
 DC Decorator Color (Fixture exterior only - White)
 TG 12 Gauge Cabinet
 Other: _____
 Other: _____

*(Req. 110V power through ground fault interrupter (GFCI) receptacle)

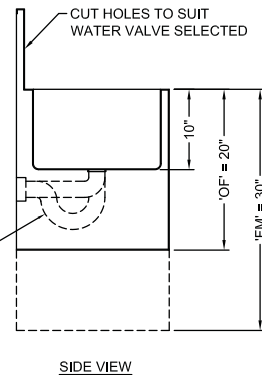
Approved For Manufacturing By: _____ Date: _____ Company: _____
 Wall Thickness: _____ Wall Type: _____

VERIFY ALL DIMENSIONS WITH FACTORY PRIOR TO ROUGH-IN
 WILLOUGHBY RESERVES THE RIGHT TO MAKE CHANGES IN DESIGN AND DIMENSIONS WITHOUT FORMAL NOTICE AND WITHOUT INCURRING OBLIGATION.



- S/S INTEGRAL WASTE
 2" ELBOW WASTE (STD.)
 2" 'P' TRAP WASTE

- 'OF' = WALL HUNG
 'FM' = FLOOR MOUNT



visit our website at www.willoughby-ind.com

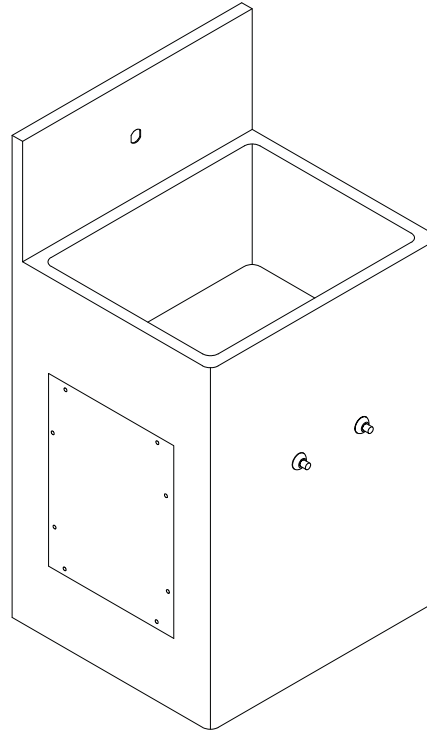
5105 West 78th Street • Indianapolis, IN. 46268

(317) 875-0830 • Fax: (317) 875-0837 • (800) 428-4065



MADE IN THE U.S.A.

SS-FA Series Front Access Service Sink



(Unit may be shown with optional features)

To specify fixture and accessories, use the Model Number and Options page.

Example: To specify a Front Access Service Sink, 22" x 20" with plain end spout, dual temp. pneumatic metering valve, pneumatic push buttons, and removable 'p'-trap

Use the following Willoughby Model Number:

SS-2219-FM-FA-SE-PML2-PPB-RPT

Recommended Specifications

Front Access Service Sink shall be:

Willoughby Model No. **SS-FA**

(Select from model number and options list on next page)

Entire fixture, including bracing and internal plumbing, shall be fabricated from 14 GA., Type 304 stainless steel. The construction shall be all welded, with exposed stainless surfaces polished to a #4 satin finish.

Standard equipment shall include:

- Rectangular shaped, 10" deep sink bowl
- Fast drain with air vent
- (1-1/2") slip joint, cast brass union 'p'-trap
- Removable access panels attached with security screws to provide access to fixture interior

Anchoring shall be from the front with 'z'-clip. Wall/floor anchoring holes provided. Anchoring hardware by others. Unit requires no chase area for installation and maintenance.

visit our website at www.willoughby-ind.com

5105 West 78th Street • Indianapolis, IN. 46268

(317) 875-0830 • Fax: (317) 875-0837 • (800) 428-4065



MADE IN THE U.S.A.

MODEL NUMBER AND OPTIONS:

1.) Base Model Number:

- SS-2219-FM-FA 22" x 19" Front Access Service Sink
(Floor Mounted, Wall Outlet)
- SS-2419-FM-FA 24" x 19" Front Access Service Sink
(Floor Mounted, Wall Outlet)

2.) Spout Selection:

- SE Spout with Plain End
- SH Spout with Hose End
- VB Vacuum Breaker (For use with (SH) Hose End Spout)

3.) Lavatory Valve Selection:

- NV No Valve (Select Hole Punching if needed)
- PSL1 Single Temp. Pneumatic Non-metering
- PSL2 Dual Temp. Pneumatic Non-metering
- PML1 Single Temp. Pneumatic Metering
- PML2 Dual Temp. Pneumatic Metering
- E1L1 Single Temp. Electronic (pick control)*
- E1L2 Dual Temp. Electronic (pick control)*

4.) Lavatory Valve Actuation:

- PPB Pneumatic Push Buttons
- PBH Ligature-resistant Push Buttons
- EPB Electronic Push Buttons*
- EPBH Ligature-resistant Electronic Push Buttons*
- PZPB Piezo Electronic Push Buttons*

5.) Electronic Controls* (Must Use Electronic Push Button):

- WUCC-3010 Pneutronic WMSII
(The WUCC-3010 Control can be used to pair a Sink with a Toilet)

6.) Hole Punching:

- 4CC 4" Centerset, Ø1" Holes (Specify 2 or 3 holes: ___)
- 8CC 8" Centerset, Ø1" Holes (Specify 2 or 3 holes: ___)
- 1CC Center Shank, (1) Ø1" Hole
- SP Special Punching (Specify hole punching dim.)
SP: _____

7.) Lavatory Waste:

- RPT Removable 'P'-Trap (Standard)

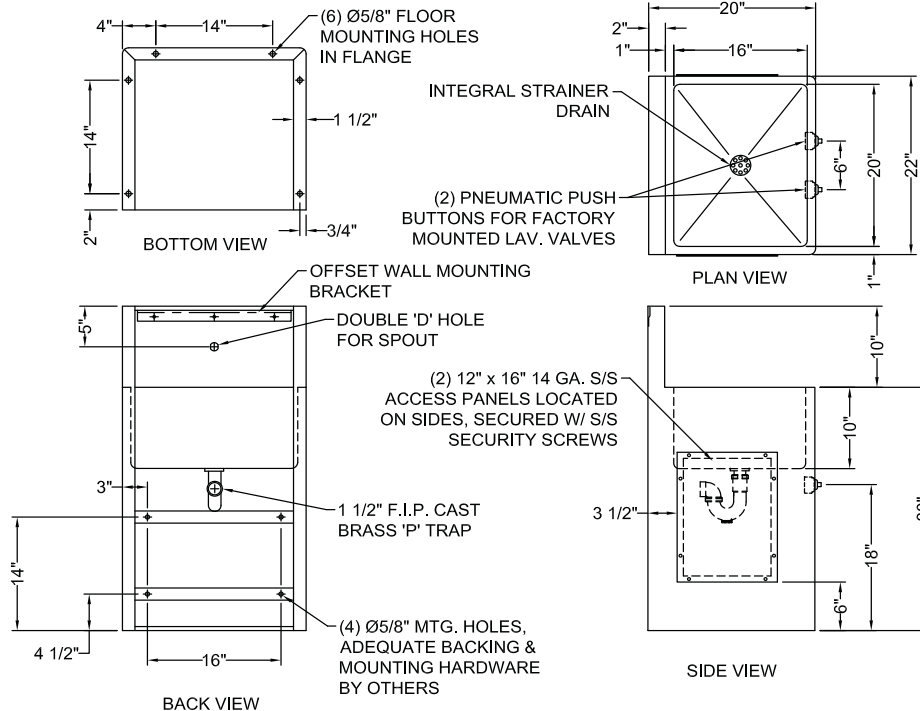
8.) Options:

- MT Wall Template
- SD Surface Mounted Soap Dish
- TF24H Hard-wired Transformer, 110VAC to 24VAC*
- TF24P Plug-in Transformer, 110VAC to 24VAC*
- VG Ventilation Grille (Specify Location and Free Area)
- DC Decorator Color (Fixture exterior only - White)
- TG 12 Gauge Cabinet
- Other: _____
- Other: _____

*(Req. 110V power through ground fault interrupter (GFCI) receptacle)

Approved For Manufacturing By: _____ Date: _____ Company: _____
Wall Thickness: _____ Wall Type: _____

VERIFY ALL DIMENSIONS WITH FACTORY PRIOR TO ROUGH-IN
WILLOUGHBY RESERVES THE RIGHT TO MAKE CHANGES IN DESIGN AND DIMENSIONS WITHOUT FORMAL NOTICE AND WITHOUT INCURRING OBLIGATION.



visit our website at www.willoughby-ind.com

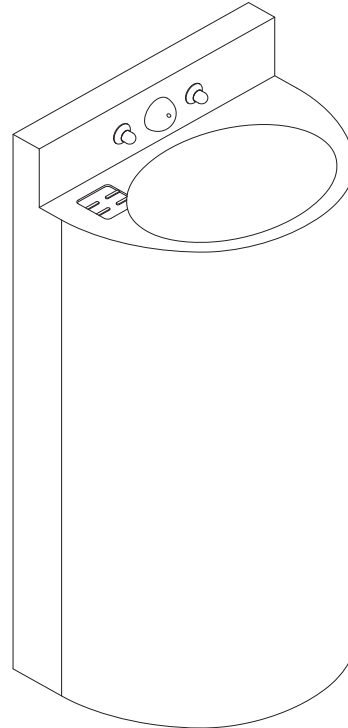
5105 West 78th Street • Indianapolis, IN. 46268

(317) 875-0830 • Fax: (317) 875-0837 • (800) 428-4065



MADE IN THE U.S.A.

ASHS-1013-06 18" Wide Rear Mounted Ligature-resistant Lavatory



(Unit may be shown with optional features)

To specify fixture and accessories, use the Model Number and Options page.

Example: To specify an 18" Wide, Rear Mounted, Ligature-resistant Lavatory with ligature-resistant bubbler and dual temp. pneumatic metering valve, ligature-resistant pneumatic push buttons, and elbow waste

Use the following Willoughby Model Number:

ASHS-1013-06-BPH-PML2-PBH-EB

Recommended Specifications

18" Wide, Rear Mounted, Ligature-resistant Lavatory shall be:
Willoughby Model No. **ASHS-1013-06**
(Select from model number and options list on next page)

Fixture shall be fabricated from 14 GA., Type 304 stainless steel. The construction shall be all welded, with exposed stainless surfaces polished to a #4 satin finish.

Standard lavatory shall include:

- Oval-shaped bowl, 13" x 9-1/2" x 6" deep
- Stainless steel ligature-resistant bubbler/filler
- Slow drain with air vent
- Elbow waste (1-1/2" F.I.P.)
- Self-draining soap dish

Anchoring shall be by standard 4-point system: threaded rods, nuts and washers shall be furnished for walls up to 8" thick. Unit shall require chase area for installation and maintenance.

visit our website at www.willoughby-ind.com

5105 West 78th Street • Indianapolis, IN. 46268
(317) 875-0830 • Fax: (317) 875-0837 • (800) 428-4065



MADE IN THE U.S.A.

MODEL NUMBER AND OPTIONS:

1.) Base Model Number:

ASHS-1013-06 18" Wide, Rear Mounted, Ligature-resistant Lavatory

2.) Bubbler Selection:

BPH Ligature-resistant Bubbler/Filler (Standard)
 FLH Ligature-resistant Lav. Filler

3.) Lavatory Valve Selection:

NV No Valve
 PSL1 Single Temp. Pneumatic Non-metering
 PSL2 Dual Temp. Pneumatic Non-metering
 PML1 Single Temp. Pneumatic Metering
 PML2 Dual Temp. Pneumatic Metering
 E1L1 Single Temp. Electronic (pick control)*
 E1L2 Dual Temp. Electronic (pick control)*

Valve Manifold Options:

Pneumatic or Electronic Only:
 MA2 MA3 MA4

4.) Lavatory Valve Actuation:

PBH Ligature-resistant Push Buttons
 EPBH Ligature-resistant Electronic Push Buttons*
 PZPB Piezo Electronic Push Buttons*

5.) Electronic Controls* (Must Use Electronic Push Button):

WUCC-3010 Pneutronic WMSII
 (The WUCC-3010 Control can be used to pair a Lavatory with a Toilet)

6.) Lavatory Waste:

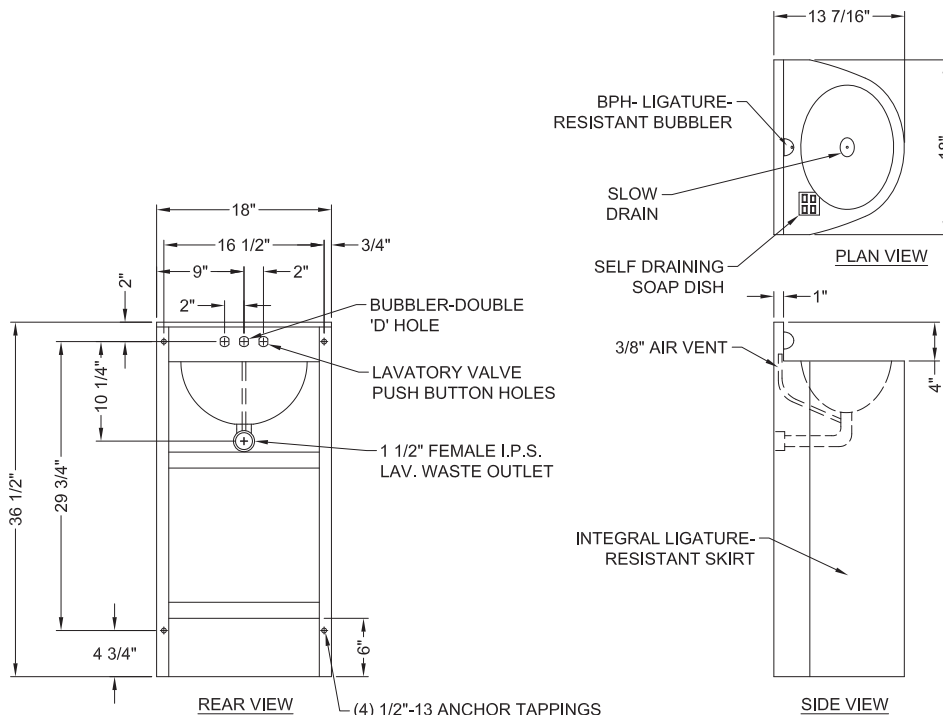
EB Elbow Waste (Standard)
 PT Integral 'P'-Trap
 LWL Lavatory Waste Extension
 OV Lavatory Overflow
 LW1 Thru-Wall Extension, 'P'-Trap
 LW2 Thru-Wall Extension and Clean-Out
 SLOW Slow Drain (Standard)

7.) Options:

MT Wall Template
 TF24H Hard-wired Transformer, 110VAC to 24VAC*
 TF24P Plug-in Transformer, 110VAC to 24VAC*
 TH1 Single Towel Hook
 Right Left
 TH2 Dual Towel Hook
 Right Left
 WS Wall Sleeve (Requires Accessible Chase)
 Other: _____
 Other: _____
 *(Req. 110V power through ground fault interrupter (GFCI) receptacle)

Approved For Manufacturing By: _____ Date: _____ Company: _____
 Wall Thickness: _____ Wall Type: _____

VERIFY ALL DIMENSIONS WITH FACTORY PRIOR TO ROUGH-IN
 WILLOUGHBY RESERVES THE RIGHT TO MAKE CHANGES IN DESIGN AND DIMENSIONS WITHOUT FORMAL NOTICE AND WITHOUT INCURRING OBLIGATION.

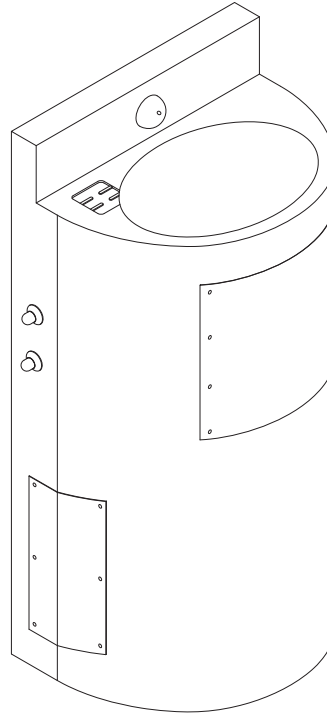


visit our website at www.willoughby-ind.com
 5105 West 78th Street • Indianapolis, IN. 46268
 (317) 875-0830 • Fax: (317) 875-0837 • (800) 428-4065



MADE IN THE U.S.A.

ASHS-1013-06-FA 18" Wide Front Access Ligature-resistant Lavatory



(Unit may be shown with optional features)

To specify fixture and accessories, use the Model Number and Options page.

Example: To specify an 18" Wide, Front Access, Ligature-resistant Lavatory with ligature-resistant bubbler, dual temp. pneumatic metering valve, ligature-resistant pneumatic push buttons, and removable 'p'-trap

Use the following Willoughby Model Number:

ASHS-1013-06-FA-BPH-PML2-PBH-RPT

Recommended Specifications

18" Wide, Front Access, Ligature-resistant Lavatory shall be:
Willoughby Model No. **ASHS-1013-06-FA**
(Select from model number and options list on next page)

Fixture shall be fabricated from 14 GA., Type 304 stainless steel. The construction shall be all welded, with exposed stainless surfaces polished to a #4 satin finish.

Standard lavatory shall include:

- Oval-shaped bowl, 13" x 9-1/2" x 6" deep
- Stainless steel ligature-resistant bubbler/filler
- Slow drain with air vent
- (1-1/2") slip joint, cast brass union 'p'-trap
- (3) removable cabinet mounted panels attached with vandal resistant screws
- Self-draining soap dish

Anchoring shall be from the front with anchoring holes provided. Anchoring hardware by others. Unit requires no chase area for installation and maintenance.

visit our website at www.willoughby-ind.com

5105 West 78th Street • Indianapolis, IN. 46268

(317) 875-0830 • Fax: (317) 875-0837 • (800) 428-4065



MADE IN THE U.S.A.

MODEL NUMBER AND OPTIONS:

1.) Base Model Number:

- ASHS-1013-06-FA 18" Wide, Front Access,
Ligature-resistant Lavatory

2.) Bubbler Selection:

- BPH Ligature-resistant Bubbler/Filler (Standard)
 FLH Ligature-resistant Lav. Filler

3.) Lavatory Valve Selection:

- NV No Valve
 PSL1 Single Temp. Pneumatic Non-metering
 PSL2 Dual Temp. Pneumatic Non-metering
 PML1 Single Temp. Pneumatic Metering
 PML2 Dual Temp. Pneumatic Metering
 E1L1 Single Temp. Electronic (pick control)*
 E1L2 Dual Temp. Electronic (pick control)*

4.) Lavatory Valve Actuation:

- PBH Ligature-resistant Push Buttons
 EPBH Ligature-resistant Electronic Push Buttons*
 PZPB Piezo Electronic Push Buttons*

5.) Electronic Controls* (Must Use Electronic Push Button):

- WUCC-3010 Pneutronic WMSII
(The WUCC-3010 Control can be used to pair a Lavatory with a Toilet)

6.) Lavatory Waste:

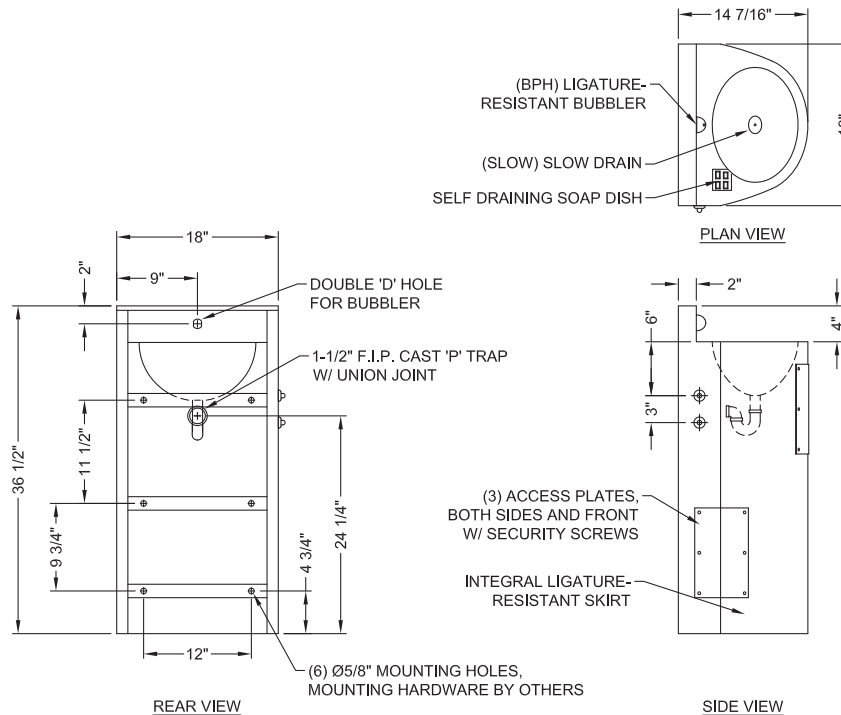
- RPT Removable 'P'-Trap (Standard)
 OV Lavatory Overflow
 SLOW Slow Drain (Standard)

7.) Options:

- MT Wall Template
 TF24H Hard-wired Transformer, 110VAC to 24VAC*
 TF24P Plug-in Transformer, 110VAC to 24VAC*
 TH1 Single Towel Hook
 Right Left
 TH2 Dual Towel Hook
 Right Left
 Other: _____
 Other: _____
*(Req. 110V power through ground fault interrupter (GFCI) receptacle)

Approved For Manufacturing By: _____ Date: _____ Company: _____
Wall Thickness: _____ Wall Type: _____

VERIFY ALL DIMENSIONS WITH FACTORY PRIOR TO ROUGH-IN
WILLOUGHBY RESERVES THE RIGHT TO MAKE CHANGES IN DESIGN AND
DIMENSIONS WITHOUT FORMAL NOTICE AND WITHOUT INCURRING OBLIGATION.



visit our website at www.willoughby-ind.com

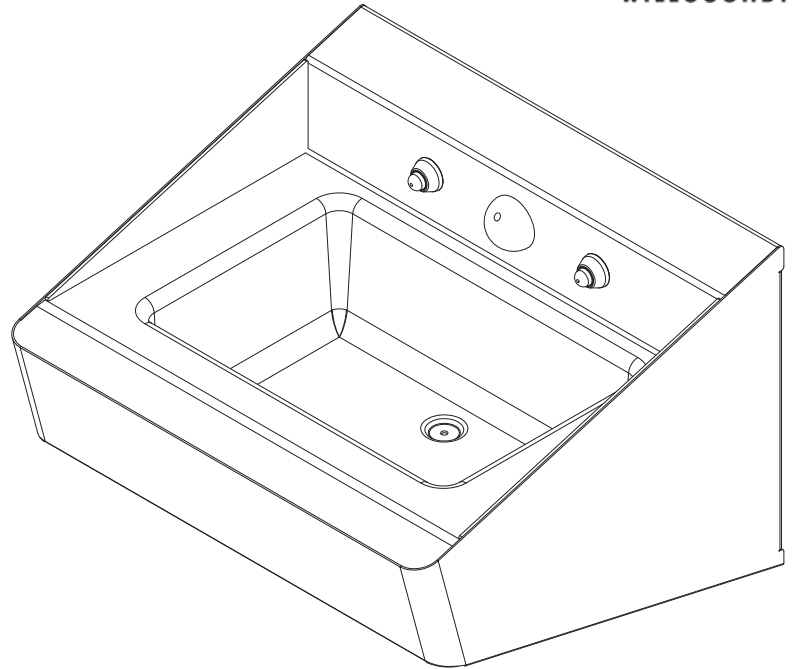
5105 West 78th Street • Indianapolis, IN. 46268

(317) 875-0830 • Fax: (317) 875-0837 • (800) 428-4065



MADE IN THE U.S.A.

WBLS-2018-HC Ligature-resistant Rear Mounted Stainless Steel Behavioral Lavatory



(Unit may be shown with optional features)



To specify fixture and accessories, use the Model Number and Options page.
Example: To specify a Ligature-resistant Rear Mounted Stainless Steel Behavioral Lavatory with ligature-resistant bubbler/filler, dual temp. pneumatic metering valve, ligature-resistant pneumatic push buttons, and elbow waste
Use the following Willoughby Model Number:
WBLS-2018-HC-BPH-PML2-PBH-EB

Recommended Specifications

Ligature-resistant Rear Mounted Stainless Steel Behavioral Lavatory shall be: Willoughby Model No. **WBLS-2018-HC** (Select from model number and options list on next page)

Wall-hung angular profile fixture shall accommodate one user and is designed to minimize ligature points. Fixture shall be fabricated from 14GA. Type 304 stainless steel. The construction shall be all welded, with exposed stainless surfaces polished to a #4 satin finish.

Standard lavatory shall include:

- Rectangular bowl, 14" x 9" x 5" deep
- Stainless steel ligature-resistant bubbler/filler
- Slow drain with air vent
- Elbow waste (1-1/2" F.I.P.)
- Angular profile with sloped top

Vandal Resistance/Safety Features:

The bubbler, push buttons, and slow drain are non-removable from the user-side and are designed to minimize ligature points. Supply and waste connections are concealed within the lavatory cabinet, with valves and water supplies remotely located in the mechanical chase. The lavatory is rear-access and does not have any exposed fasteners.

ADA and ANSI Compliant:

When the lavatory is mounted at the standard adult rim height it is designed to comply with all applicable ADA and ANSI (Z124.3 and Z124.6) accessibility guidelines.

Mounting:

Anchoring shall be by standard 4-point system: threaded rods, nuts and washers shall be furnished for walls up to 8" thick. Unit shall require chase area for installation and maintenance; proper backing for lavatory mounting provided by others.



MODEL NUMBER AND OPTIONS:

1.) Base Model Number:

- WBLS-2018-HC Ligature-resistant Rear Mounted Stainless Steel Behavioral Lavatory

2.) Bubbler Selection:

- BPH Ligature-resistant Bubbler/Filler (Standard)
 FLH Ligature-resistant Lav. Filler

3.) Lavatory Valve Selection:

- NV No Valve
 PML1 Single Temp. Pneumatic Metering
 PML2 Dual Temp. Pneumatic Metering
 E1L1 Single Temp. Electronic (pick control)*
 E1L2 Dual Temp. Electronic (pick control)*

Valve Manifold Options:

Pneumatic or Electronic Only:

- MA2 MA3 MA4

4.) Lavatory Valve Actuation:

- PBH Ligature-resistant Push Buttons
 EPBH Ligature-resistant Electronic Push Buttons*
 PZPB Piezo Electronic Push Buttons*

5.) Electronic Controls* (Must Use Electronic Push Button):

- WUCC-3010 Pneutronic WMSII
 (The WUCC-3010 Control can be used to pair a Lavatory with a Toilet)

6.) Lavatory Waste:

- EB Elbow Waste (Standard)
 LWE Lavatory Waste Extension
 SLOW Slow Drain (Standard)
 LW1 Thru-Wall Extension, 'P'-Trap
 LW2 Thru-Wall Extension and Clean-Out

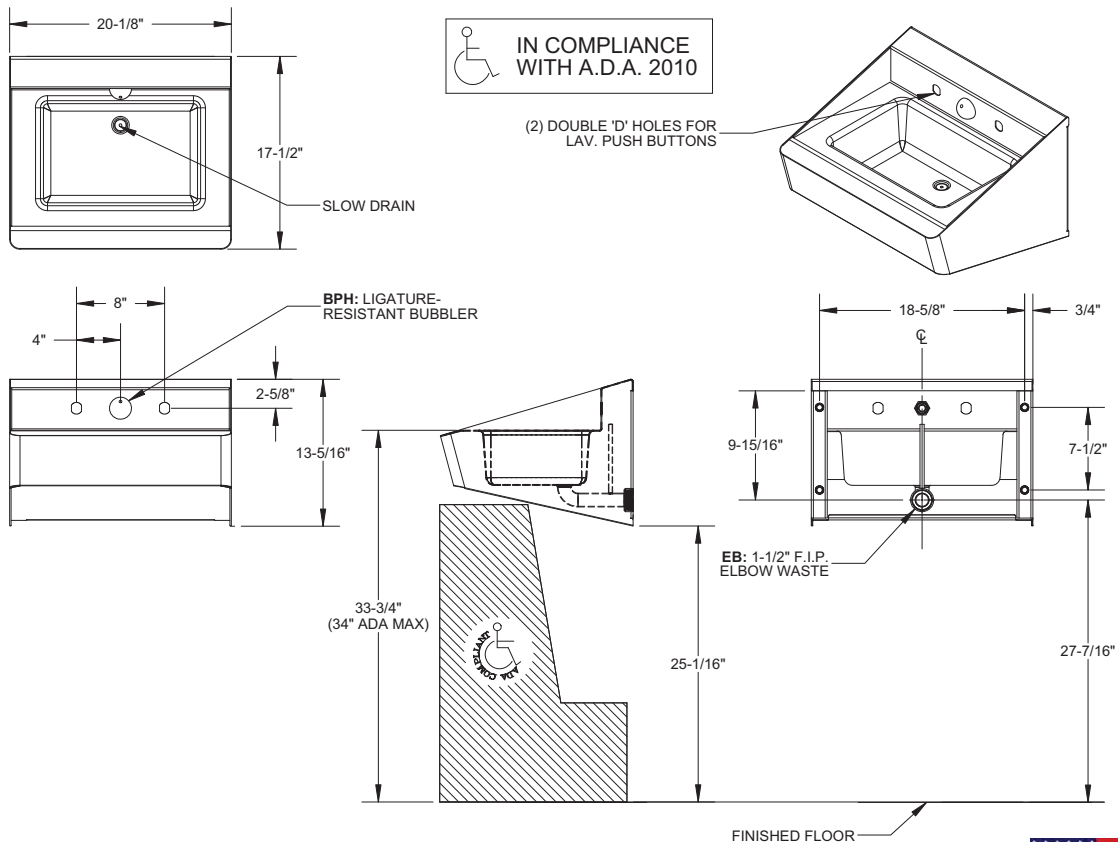
7.) Options:

- MT Wall Template
 TF24H Hard-wired Transformer, 110VAC to 24VAC*
 TF24P Plug-in Transformer, 110VAC to 24VAC*
 TH1 Single Towel Hook
 Right Left
 TH2 Dual Towel Hook
 Right Left
 WS Wall Sleeve (Requires Accessible Chase)
 DC Decorator Color (Fixture exterior only - White)
 Other: _____
 Other: _____

*(Req. 110V power through ground fault interrupter (GFCI) receptacle)

Approved For Manufacturing By: _____ Date: _____ Company: _____
 Wall Thickness: _____ Wall Type: _____

VERIFY ALL DIMENSIONS WITH FACTORY PRIOR TO ROUGH-IN
 WILLOUGHBY RESERVES THE RIGHT TO MAKE CHANGES IN DESIGN AND DIMENSIONS WITHOUT FORMAL NOTICE AND WITHOUT INCURRING OBLIGATION.

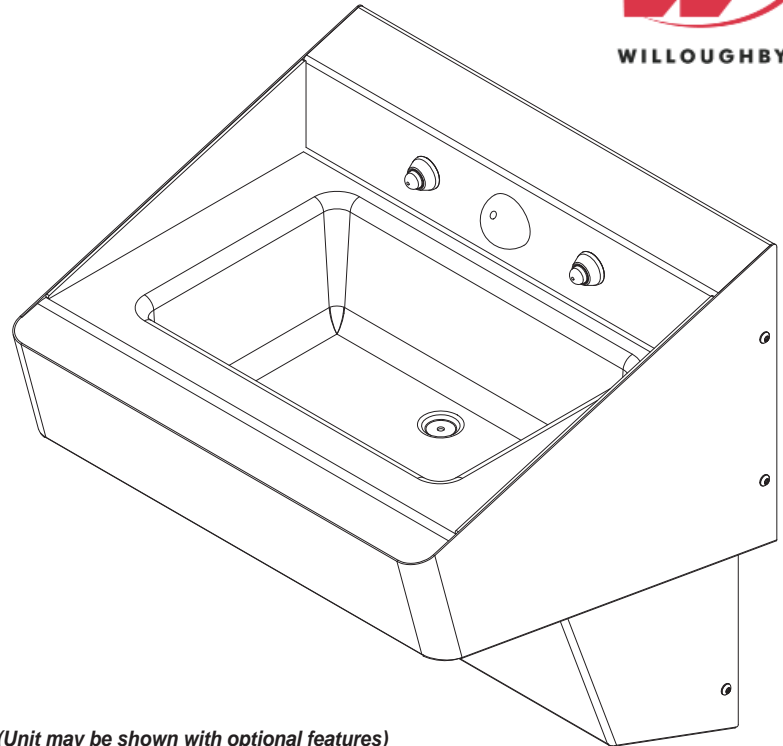


visit our website at www.willoughby-ind.com
 5105 West 78th Street • Indianapolis, IN. 46268
 (317) 875-0830 • Fax: (317) 875-0837 • (800) 428-4065



MADE IN THE U.S.A.

WBLS-2018-HC-FA Ligature-resistant Front Access Stainless Steel Behavioral Lavatory



(Unit may be shown with optional features)



To specify fixture and accessories, use the Model Number and Options page.
Example: To specify a Ligature-resistant Front Access Stainless Steel Behavioral Lavatory with ligature-resistant bubbler/filler, dual temp. pneumatic metering valve, ligature-resistant pneumatic push buttons, and removable P-trap
Use the following Willoughby Model Number:
WBLS-2018-HC-FA-BPH-PML2-PBH-RPT

Recommended Specifications

Ligature-resistant Front Access Stainless Steel Behavioral Lavatory shall be: Willoughby Model No. **WBLS-2018-HC-FA** (Select from model number and options list on next page)

Wall-hung angular profile fixture shall accommodate one user and is designed to minimize ligature points. Fixture shall be fabricated from 14GA. Type 304 stainless steel. The construction shall consist of an all-welded lavatory cabinet and all-welded trap enclosure, with exposed stainless surfaces polished to a #4 satin finish.

Standard lavatory shall include:

- Rectangular bowl, 14" x 9" x 5" deep
- Stainless steel ligature-resistant bubbler/filler
- Slow drain w/ air vent
- Removable P-trap (1-1/2" F.I.P.)
- Angular profile with sloped top
- Removable trap enclosure attached with security screws

Vandal Resistance/Safety Features:

The bubbler, push buttons, and slow drain are non-removable from the user-side and are designed to minimize ligature points. Valve, water supplies, and waste connection are concealed within the trap enclosure. All exposed fasteners shall be vandal-resistant security type screws.

ADA and ANSI Compliant:

When the lavatory is mounted at the standard adult rim height it is designed to comply with all applicable ADA and ANSI (Z124.3 and Z124.6) accessibility guidelines.

Mounting:

Anchoring shall be from the front with mounting plate with anchoring holes. Unit does not require chase area for installation and maintenance; proper backing and anchoring hardware for lavatory mounting provided by others.

visit our website at www.willoughby-ind.com
5105 West 78th Street • Indianapolis, IN. 46268
(317) 875-0830 • Fax: (317) 875-0837 • (800) 428-4065



MADE IN THE U.S.A.

MODEL NUMBER AND OPTIONS:

1.) Base Model Number:

- WBLS-2018-HC-FA Ligature-resistant Front Access Stainless Steel Behavioral Lavatory

2.) Bubbler Selection:

- BPH Ligature-resistant Bubbler/Filler (Standard)
 FLH Ligature-resistant Lav. Filler

3.) Lavatory Valve Selection:

- NV No Valve
 PML1 Single Temp. Pneumatic Metering
 PML2 Dual Temp. Pneumatic Metering
 E1L1 Single Temp. Electronic (pick control)*
 E1L2 Dual Temp. Electronic (pick control)*

4.) Lavatory Valve Actuation:

- PBH Ligature-resistant Push Buttons
 EPBH Ligature-resistant Electronic Push Buttons*
 PZPB Piezo Electronic Push Buttons*

5.) Electronic Controls* (Must Use Electronic Push Button):

- WUCC-3010 Pneutronic WMSII
 (The WUCC-3010 Control can be used to pair a Lavatory with a Toilet)

6.) Lavatory Waste:

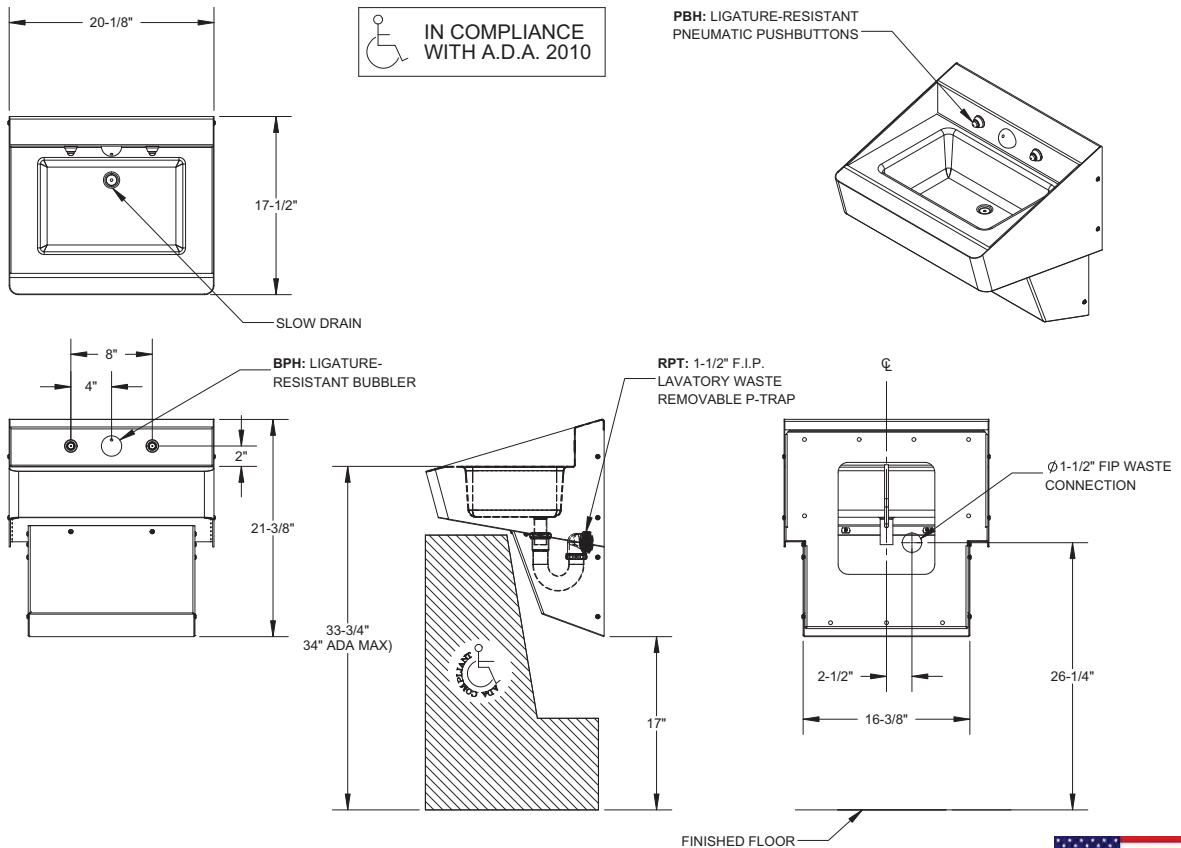
- RPT Removable P-trap (Standard)
 OV Lavatory Overflow
 SLOW Slow Drain (Standard)

7.) Options:

- MT Wall Template
 TF24H Hard-wired Transformer, 110VAC to 24VAC*
 TF24P Plug-in Transformer, 110VAC to 24VAC*
 TH1 Single Towel Hook
 Right Left
 TH2 Dual Towel Hook
 Right Left
 DC Decorator Color (Fixture exterior only - White)
 Other: _____
 Other: _____
 *(Req. 110V power through ground fault interrupter (GFCI) receptacle)

Approved For Manufacturing By: _____ Date: _____ Company: _____
 Wall Thickness: _____ Wall Type: _____

VERIFY ALL DIMENSIONS WITH FACTORY PRIOR TO ROUGH-IN
 WILLOUGHBY RESERVES THE RIGHT TO MAKE CHANGES IN DESIGN AND DIMENSIONS WITHOUT FORMAL NOTICE AND WITHOUT INCURRING OBLIGATION.

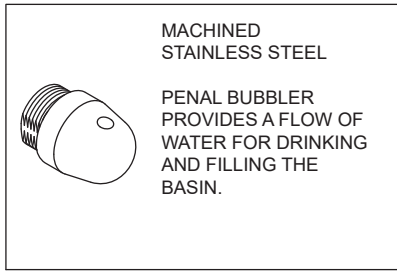


visit our website at www.willoughby-ind.com
 5105 West 78th Street • Indianapolis, IN. 46268
 (317) 875-0830 • Fax: (317) 875-0837 • (800) 428-4065

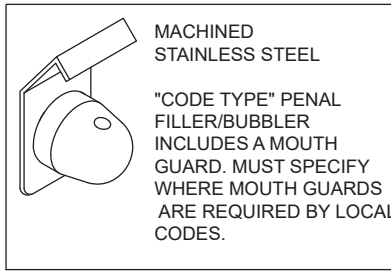


MADE IN THE U.S.A.

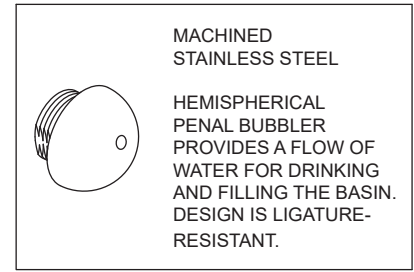
LAVATORY BUBBLER SELECTION



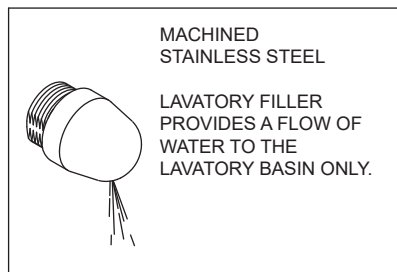
(BP) PENAL BUBBLER/FILLER



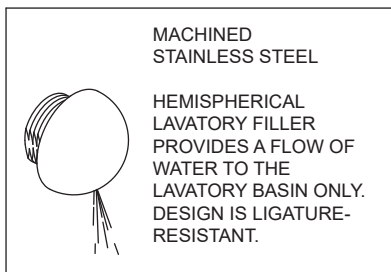
(BC) CODE BUBBLER/FILLER



(BPH) LIGATURE-RESISTANT
BUBBLER/FILLER

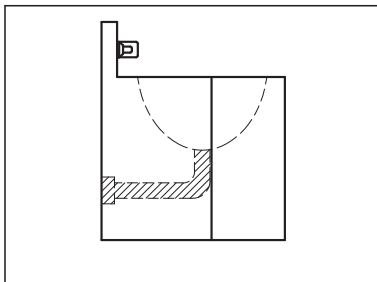


(FL) PENAL LAV. FILLER

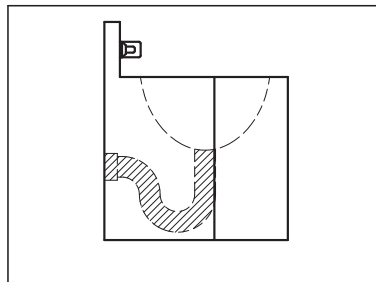


(FLH) LIGATURE-RESISTANT LAV.
FILLER

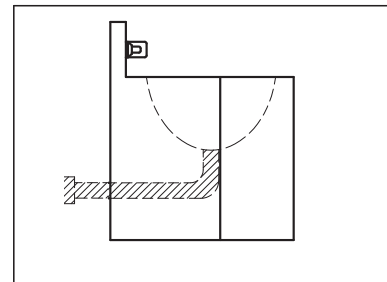
LAVATORY WASTE



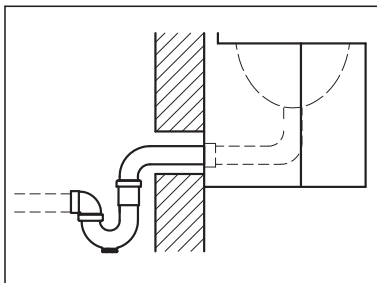
(EB) ELBOW WASTE
(STANDARD) (1-1/2" F.I.P.)



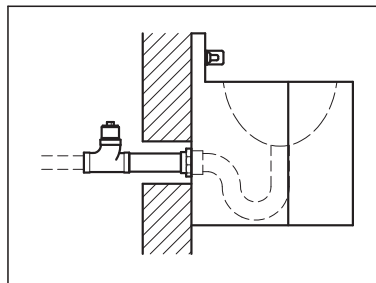
(PT) INTEGRAL
'P'TRAP (1-1/2" F.I.P.)



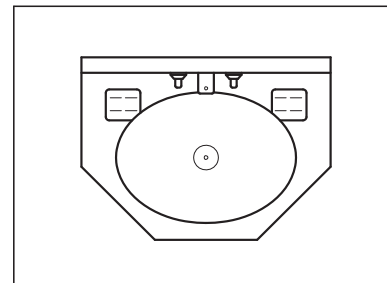
(LWE) LAV. WASTE
EXTENSION (1-1/2" F.I.P. TYP.)



(LW1) BRASS THROUGH-WALL
EXTENSION, 'P'TRAP, & CLEAN-OUT
(FOR USE W/ (EB) ELBOW WASTE

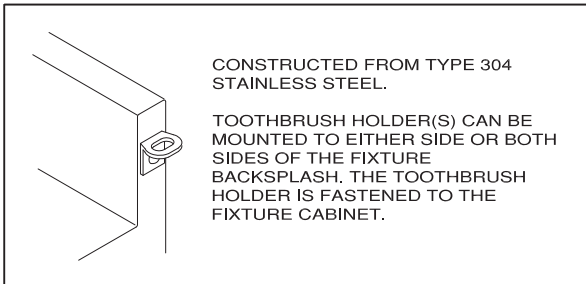


(LW2) BRASS THROUGH-WALL
EXTENSION & CLEAN-OUT (FOR
USE W/ (PT) INTEGRAL 'P'TRAP)

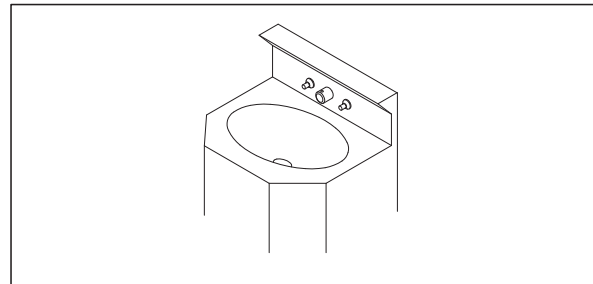


(SLOW) SLOW DRAIN
SINGLE DRAIN HOLE

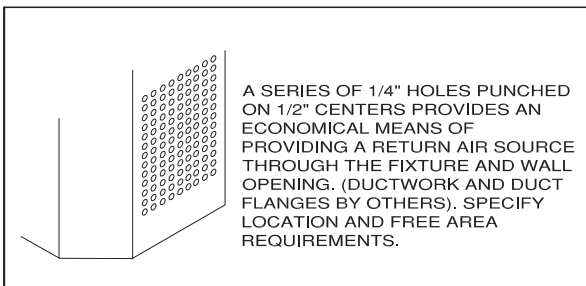
OTHER OPTIONS



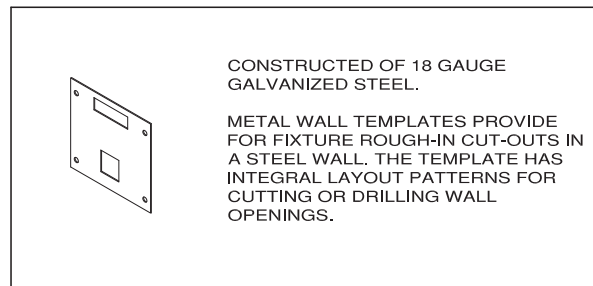
(TB1_) SINGLE TOOTHBRUSH HOLDER
(TB2_) DUAL TOOTHBRUSH HOLDER
(SPECIFY (R) RIGHT OR (L) LEFT)



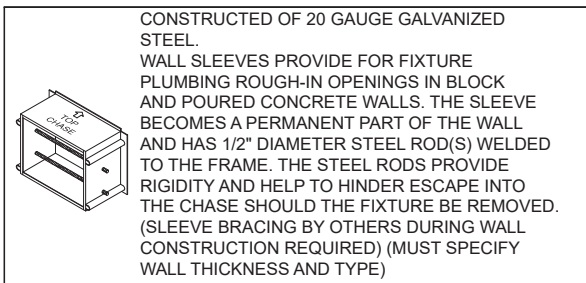
(ISH) INTEGRAL SHELF



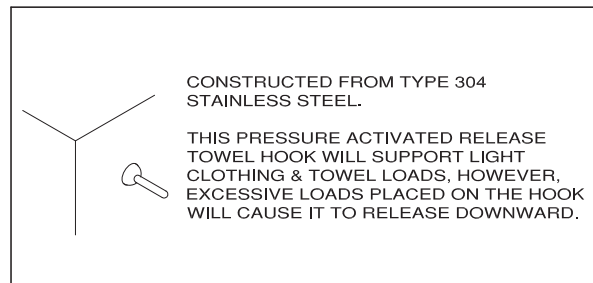
(VG) VENTILATION GRILLE
(SPECIFY LOCATION AND FREE AREA)



(MT) WALL TEMPLATE



(WS) WALL SLEEVE



(TH1_) SINGLE TOWEL HOOK
(TH2_) DUAL TOWEL HOOK
(SPECIFY (R) RIGHT OR (L) LEFT)

visit our website at www.willoughby-ind.com

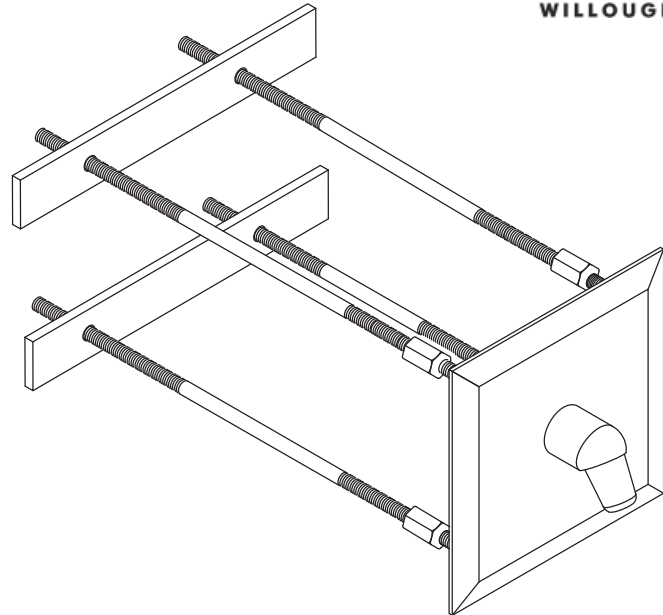
5105 West 78th Street • Indianapolis, IN. 46268

(317) 875-0830 • Fax: (317) 875-0837 • (800) 428-4065



MADE IN THE U.S.A.

WBIS Series Rear Mounted Built-In Shower



Recommended Specifications

Rear Mounted Built-In Shower shall be:
Willoughby Model No. **WBIS**
(Select from model number and options list on next page)

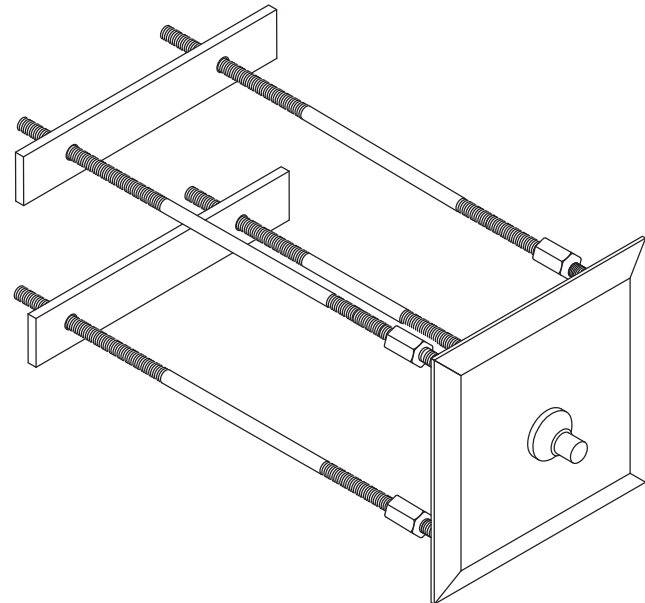
Shower head and valve push button face plates shall be fabricated from 14 gauge, Type 304 stainless steel with exposed stainless surfaces polished to a #4 satin finish.

Standard equipment shall include:
- Shower valve (Select from Valve Selection options list)
- (NPS) non-adjustable penal shower head

Anchoring of each component shall be by standard 4-point system: 1/4" threaded rods, nuts and backing bars furnished for walls up to 8" thick. Unit requires chase area for installation and maintenance.

Handicap Accessible:

The WBIS can be installed to conform to most ADA requirements.
(Compliance shall be subject to the requirements of the local code authority based on installation-specific details and is the responsibility of the installer.)



(Unit may be shown with optional features)

To specify fixture and accessories, use the Model Number and Options page.

Example: To specify a Rear Mounted Built-In Shower with single temp. pneumatic metering valve, standard pneumatic push button, 2.5 GPM flow rate, standard (NPS) shower head, in-line thermostatic mixing valve, and separate recessed mounted soap dish

Use the following Willoughby Model Number:
WBIS-PML1-PPB-2.5GPM-NPS-TMV-RSD1

visit our website at www.willoughby-ind.com
5105 West 78th Street • Indianapolis, IN. 46268
(317) 875-0830 • Fax: (317) 875-0837 • (800) 428-4065



MADE IN THE U.S.A.

MODEL NUMBER AND OPTIONS:

1.) Base Model Number:

- WBIS Rear Mounted Built-In Shower

2.) Valve Selection:

- NV No Valve
 PML1 Single Temp. Pneumatic Metering
 PML2 Dual Temp. Pneumatic Metering
 E1L1 Single Temp. Electronic (Pick Control)*
 E1L2 Dual Temp. Electronic (Pick Control)*
 MA2 **Valve Manifold Option** (Pneumatic or Electronic Valves Only):
(See the Manifold Option Page at the end of Catalog Section S5 for further information)

3.) Push Button Selection:

Pneumatic or Electronic Valves Only:

- PPB Pneumatic Push Buttons
 PBH Ligature-resistant Push Buttons
 EPB Electronic Push Buttons*
 EPBH Ligature-resistant Electronic Push Buttons*
 PZPB Piezo Push Buttons*

4.) Flow Rates:

- 2.5 GPM (Standard) 2.0 GPM 1.5 GPM

5.) Electronic Controls* (Must Use Electronic Push Button):

- WUSC-2200 WUSC-2400 Pneutronic WMS II

6.) Shower Head Selection:

- NPS Non-adjustable Penal Shower Head (Standard)
 APS Adjustable Penal Shower Head
 CSH Ligature-resistant Shower Head

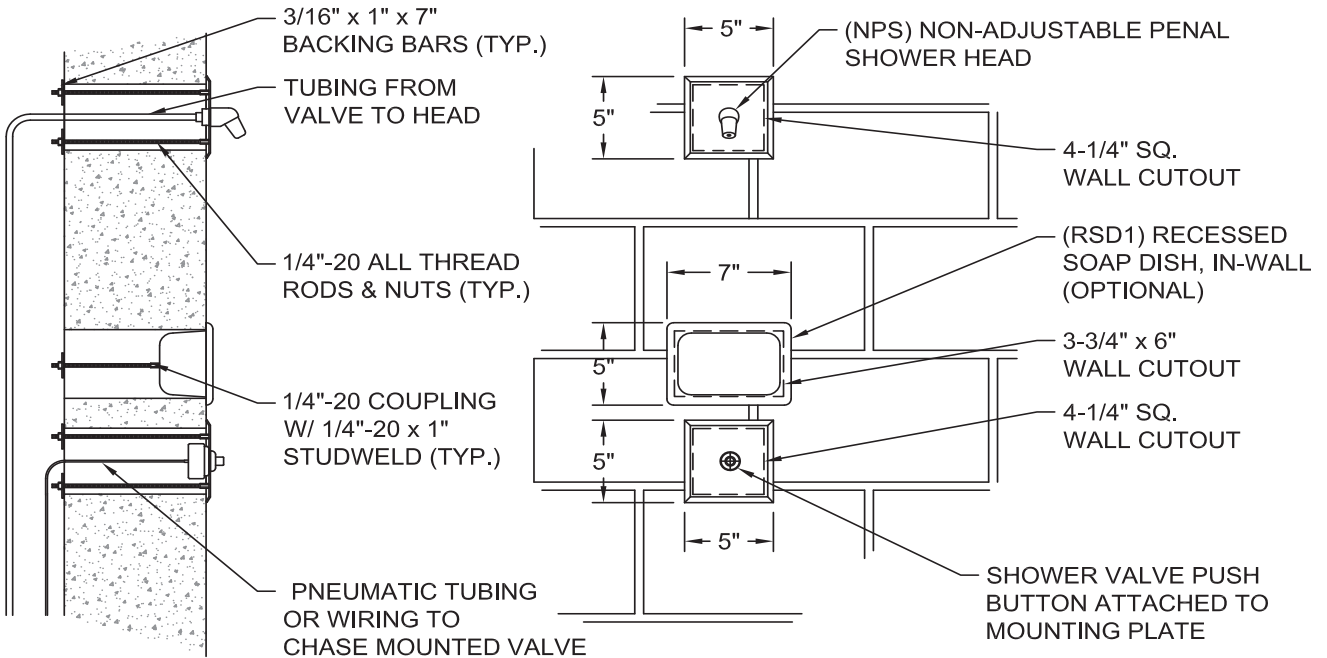
7.) Options:

- TMV In-line Thermostatic Mixing Valve
 TF24H Hard-wired Transformer, 110VAC to 24VAC*
 TF24P Plug-in Transformer, 110VAC to 24VAC*
 SD Surface Mounted Soap Dish (Wall Mounted)
 RSD1 Recessed Soap Dish (In-Wall Mounted)
 Other _____
 Other _____

* (Req. 110V power through ground fault interrupter (GFCI) receptacle)

Approved For Manufacturing By: _____ Date: _____ Company: _____
 Wall Thickness: _____ Wall Type: _____

VERIFY ALL DIMENSIONS WITH FACTORY PRIOR TO ROUGH-IN
 WILLOUGHBY RESERVES THE RIGHT TO MAKE CHANGES IN DESIGN AND DIMENSIONS WITHOUT FORMAL NOTICE AND WITHOUT INCURRING OBLIGATION.

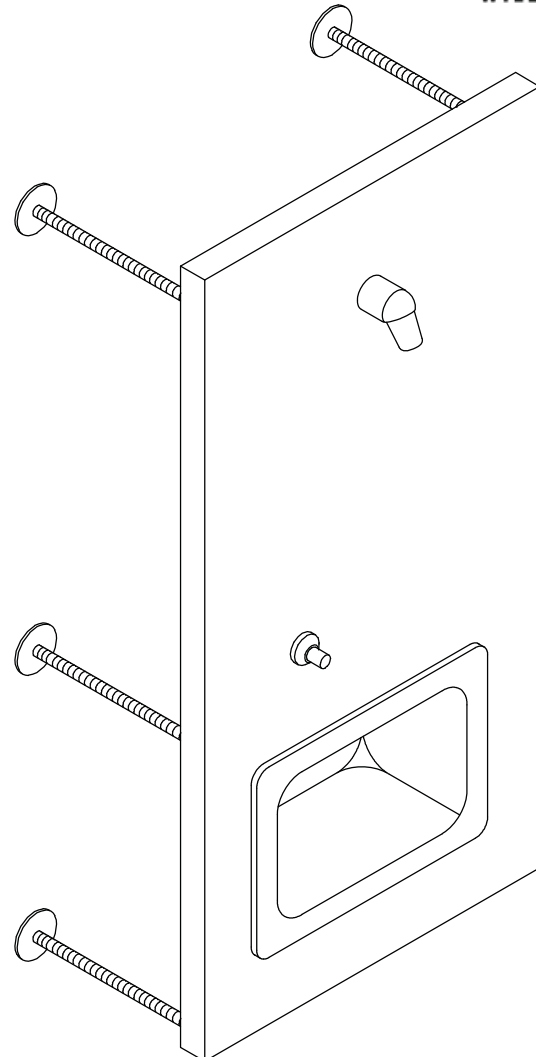


visit our website at www.willoughby-ind.com
 5105 West 78th Street • Indianapolis, IN. 46268
 (317) 875-0830 • Fax: (317) 875-0837 • (800) 428-4065



MADE IN THE U.S.A.

WRS Series Rear Mounted Recessed Shower Panel



(Unit may be shown with optional features)

Recommended Specifications

Rear Mounted Recessed Shower Panel shall be:
Willoughby Model No. **WRS**
(Select from model number and options list on next page)

Shower panel shall be fabricated from 14 gauge, Type 304 stainless steel with exposed stainless surfaces polished to a #4 satin finish.

Standard equipment shall include:
- Shower valve (Select from Valve Selection options list)
- (NPS) non-adjustable penal shower head

Anchoring shall be by standard 6-point system: 1/2" threaded rods, nuts and washers shall be furnished for walls up to 8" thick. Unit requires chase area for installation and maintenance.

To specify fixture and accessories, use the Model Number and Options page.

Example: To specify a Rear Mounted Recessed Shower Panel with single temp. pneumatic metering valve, standard pneumatic push button, standard 2.5 GPM flow rate, standard (NPS) shower head, in-line thermostatic mixing valve, and recessed mounted soap dish

Use the following Willoughby Model Number:

WRS-PML1-PPB-2.5GPM-NPS-TMV-RD

visit our website at www.willoughby-ind.com

5105 West 78th Street • Indianapolis, IN. 46268

(317) 875-0830 • Fax: (317) 875-0837 • (800) 428-4065



MADE IN THE U.S.A.

MODEL NUMBER AND OPTIONS:

1.) Base Model Number:

- WRS Rear Mounted Recessed Shower Panel

5.) Electronic Controls* (Must Use Electronic Push Button):

- WUSC-2200 WUSC-2400 Pneutronic WMS II

2.) Valve Selection:

- NV No Valve
 PML1 Single Temp. Pneumatic Metering
 PML2 Dual Temp. Pneumatic Metering
 E1L1 Single Temp. Electronic (Pick Control)*
 E1L2 Dual Temp. Electronic (Pick Control)*

6.) Shower Head Selection:

- NPS Non-adjustable Penal Shower Head (Standard)
 APS Adjustable Penal Shower Head

Valve Manifold Option:

Pneumatic or Electronic Valves Only:

(See the Manifold Option Page at the end of Catalog Section S5 for further information)

- MA2

7.) Options:

- TMV In-line Thermostatic Mixing Valve
 TF24H Hard-wired Transformer, 110VAC to 24VAC*
 TF24P Plug-in Transformer, 110VAC to 24VAC*
 RD Recessed Mounted Soap Dish
 SD Surface Mounted Soap Dish
 WS Wall Sleeve (Requires Accessible Chase)
 MT Wall Template
 Other _____
 Other _____

*(Req. 110V power through ground fault interrupter (GFCI) receptacle)

3.) Push Button Selection:

Pneumatic or Electronic Valves Only:

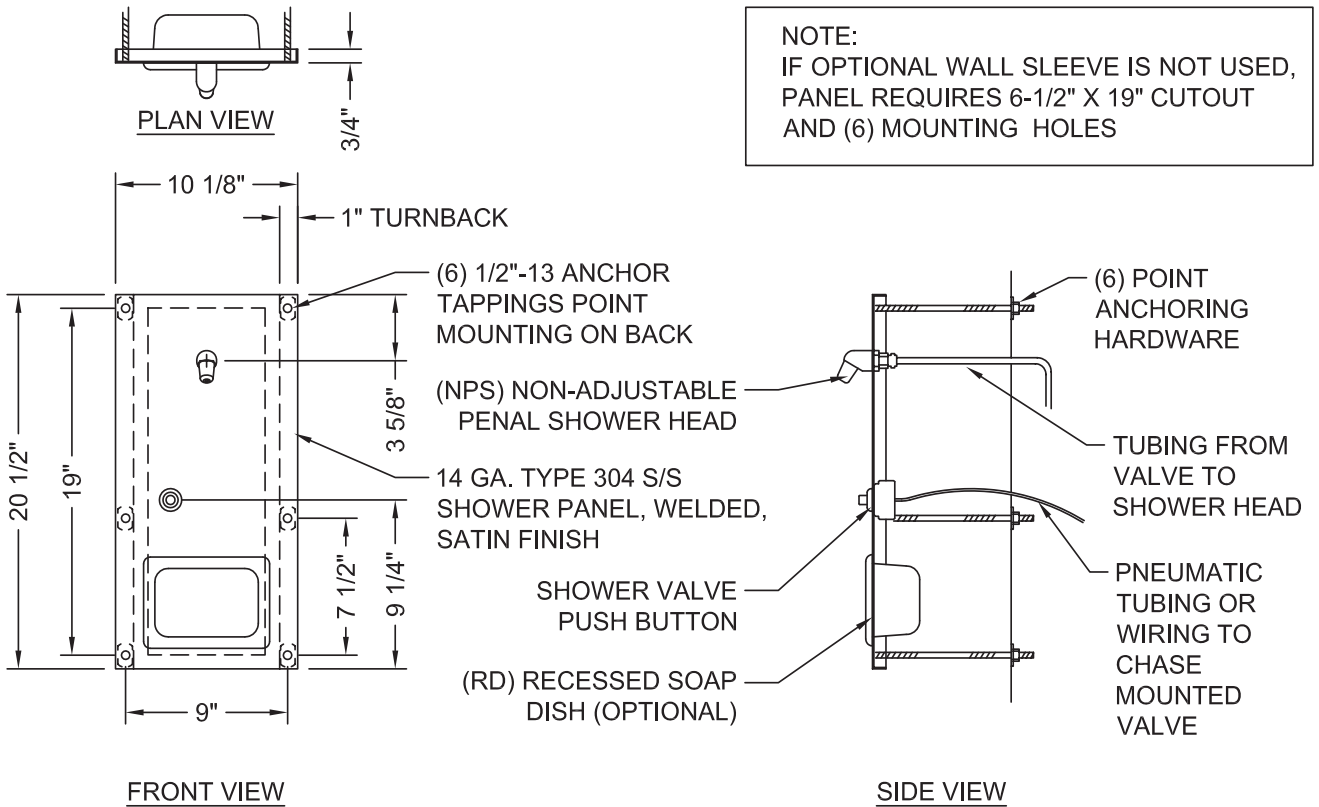
- PPB Pneumatic Push Buttons
 EPB Electronic Push Buttons*
 PZPB Piezo Push Buttons*

4.) Flow Rates:

- 2.5 GPM (Standard)
 2.0 GPM
 1.5 GPM

Approved For Manufacturing By: _____ Date: _____ Company: _____
 Wall Thickness: _____ Wall Type: _____

VERIFY ALL DIMENSIONS WITH FACTORY PRIOR TO ROUGH-IN
 WILLOUGHBY RESERVES THE RIGHT TO MAKE CHANGES IN DESIGN AND DIMENSIONS WITHOUT FORMAL NOTICE AND WITHOUT INCURRING OBLIGATION.



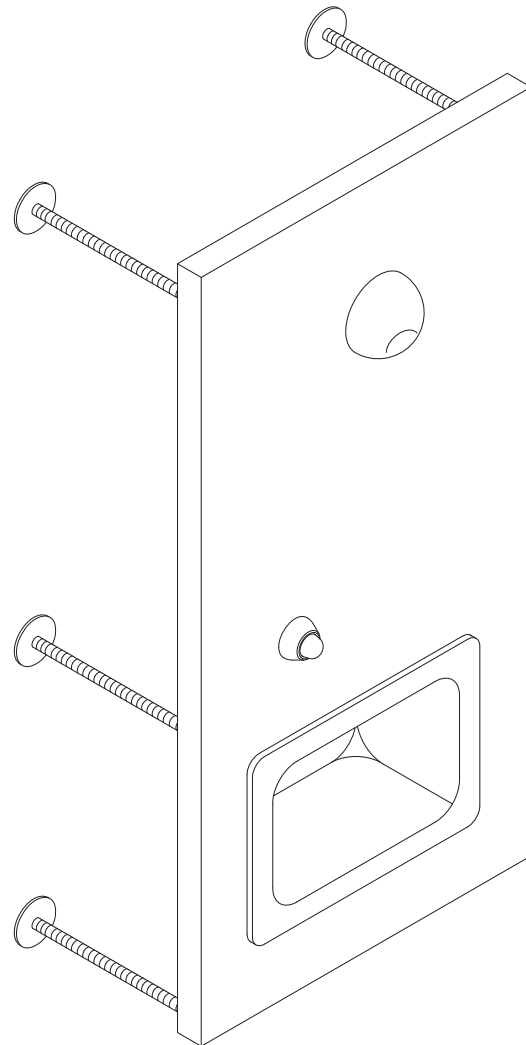
visit our website at www.willoughby-ind.com
 5105 West 78th Street • Indianapolis, IN. 46268
 (317) 875-0830 • Fax: (317) 875-0837 • (800) 428-4065



MADE IN THE U.S.A.

© Rev. 8/2017

ASWRS Series Ligature-resistant Rear Mounted Recessed Shower Panel



(Unit may be shown with optional features)

Recommended Specifications

Ligature-resistant, Rear Mounted, Recessed Shower Panel shall be: Willoughby Model No. **ASWRS**
(Select from model number and options list on next page)

Shower panel shall be fabricated from 14 gauge, Type 304 stainless steel with exposed stainless surfaces polished to a #4 satin finish.

Standard equipment shall include:

- Shower valve (Select from Valve Selection options list)
- (CSH) ligature-resistant, vandal resistant shower head

Anchoring shall be by standard 6-point system: 1/2" threaded rods, nuts and washers shall be furnished for walls up to 8" thick. Unit requires chase area for installation and maintenance.

To specify fixture and accessories, use the Model Number and Options page.

Example: To specify a Ligature-resistant, Rear Mounted, Recessed Shower Panel with single temp. pneumatic metering valve, (PBH) push button, standard 2.5 GPM flow rate, standard (CSH) shower head, in-line thermostatic mixing valve, and recessed mounted soap dish

Use the following Willoughby Model Number:

ASWRS-PML1-PBH-2.5GPM-CSH-TMV-RD

visit our website at www.willoughby-ind.com

5105 West 78th Street • Indianapolis, IN. 46268

(317) 875-0830 • Fax: (317) 875-0837 • (800) 428-4065



MADE IN THE U.S.A.

MODEL NUMBER AND OPTIONS:

1.) Base Model Number:

ASWRS Ligature-resistant, Rear Mounted, Recessed Shower Panel

5.) Electronic Controls* (Must Use Electronic Push Button):

WUSC-2200 WUSC-2400 Pneutronic WMS II

2.) Valve Selection:

- NV No Valve
- PML1 Single Temp. Pneumatic Metering
- PML2 Dual Temp. Pneumatic Metering
- E1L1 Single Temp. Electronic (Pick Control)*
- E1L2 Dual Temp. Electronic (Pick Control)*

Valve Manifold Option:

Pneumatic or Electronic Valves Only:

(See the Manifold Option Page at the end of Catalog Section S5 for further information)

MA2

3.) Push Button Selection:

Pneumatic or Electronic Valves Only:

- PBH Ligature-resistant Push Buttons
- EPBH Ligature-resistant Electronic Push Buttons*
- PZPB Piezo Push Buttons*

4.) Flow Rates:

- 2.5 GPM (Standard)
- 2.0 GPM
- 1.5 GPM

6.) Shower Head Selection:

CSH Ligature-resistant Shower Head (Standard)

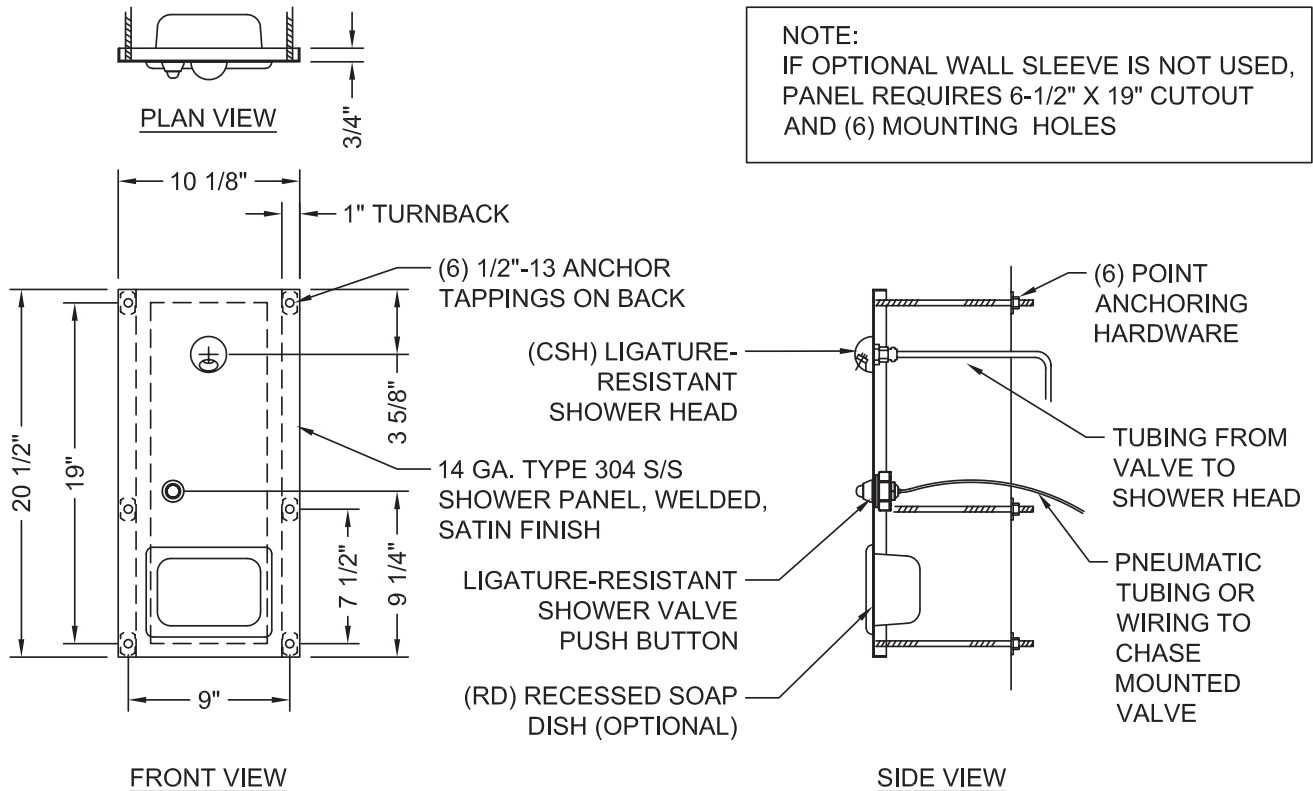
7.) Options:

- TMV In-line Thermostatic Mixing Valve
- TF24H Hard-wired Transformer, 110VAC to 24VAC*
- TF24P Plug-in Transformer, 110VAC to 24VAC*
- RD Recessed Mounted Soap Dish
- WS Wall Sleeve (Requires Accessible Chase)
- MT Wall Template
- Other _____
- Other _____

*(Req. 110V power through ground fault interrupter (GFCI) receptacle)

Approved For Manufacturing By: _____ Date: _____ Company: _____
 Wall Thickness: _____ Wall Type: _____

VERIFY ALL DIMENSIONS WITH FACTORY PRIOR TO ROUGH-IN
 WILLOUGHBY RESERVES THE RIGHT TO MAKE CHANGES IN DESIGN AND DIMENSIONS WITHOUT FORMAL NOTICE AND WITHOUT INCURRING OBLIGATION.



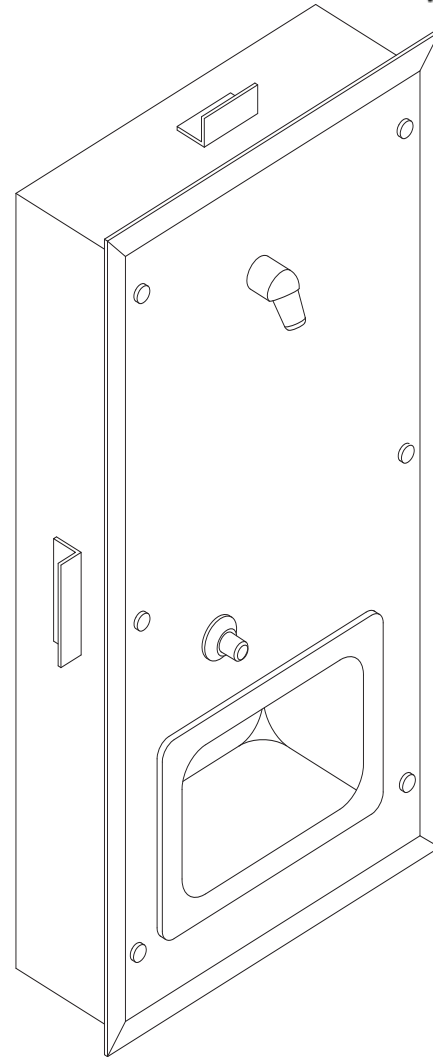
NOTE:
 IF OPTIONAL WALL SLEEVE IS NOT USED, PANEL REQUIRES 6-1/2" X 19" CUTOUT AND (6) MOUNTING HOLES

visit our website at www.willoughby-ind.com
 5105 West 78th Street • Indianapolis, IN. 46268
 (317) 875-0830 • Fax: (317) 875-0837 • (800) 428-4065



MADE IN THE U.S.A.

WRS-FA Series Front Mounted Recessed Shower Panel



(Unit may be shown with optional features)

Recommended Specifications

Front Mounted Recessed Shower Panel shall be:
Willoughby Model No. **WRS-FA**
(Select from model number and options list on next page)

Shower panel shall be fabricated from 14 gauge, Type 304 stainless steel with exposed stainless surfaces polished to a #4 satin finish. Mounting frame shall be fabricated from 18 gauge galvanized steel.

Standard equipment shall include:
- Shower valve (Select from Valve Selection options list)
- (NPS) non-adjustable penal shower head

Shower panel shall attach to mounting frame with vandal resistant stainless steel screws. Unit requires no chase area for installation and maintenance.

To specify fixture and accessories, use the Model Number and Options page.

Example: To specify a Front Mounted Recessed Shower Panel with single temp. pneumatic metering valve, standard pneumatic push button, standard 2.5 GPM flow rate, standard (NPS) shower head, in-line thermostatic mixing valve, and recessed mounted soap dish

Use the following Willoughby Model Number:
WRS-FA-PML1-PPB-2.5GPM-NPS-TMV-RD

visit our website at www.willoughby-ind.com

5105 West 78th Street • Indianapolis, IN. 46268
(317) 875-0830 • Fax: (317) 875-0837 • (800) 428-4065



MADE IN THE U.S.A.

MODEL NUMBER AND OPTIONS:

1.) Base Model Number:

- WRS-FA Front Mounted Recessed Shower Panel

2.) Valve Selection:

- NV No Valve
 PML1 Single Temp. Pneumatic Metering
 PML2 Dual Temp. Pneumatic Metering
 E1L1 Single Temp. Electronic (Pick Control)*
 E1L2 Dual Temp. Electronic (Pick Control)*

3.) Push Button Selection:

Pneumatic or Electronic Valves Only:

- PPB Pneumatic Push Buttons
 EPB Electronic Push Buttons*
 PZPB Piezo Push Buttons*

4.) Flow Rates:

- 2.5 GPM (Standard)
 2.0 GPM
 1.5 GPM

5.) Electronic Controls* (Must Use Electronic Push Button):

- WUSC-2200 WUSC-2400 Pneutronic WMS II

6.) Shower Head Selection:

- NPS Non-adjustable Penal Shower Head (Standard)
 APS Adjustable Penal Shower Head

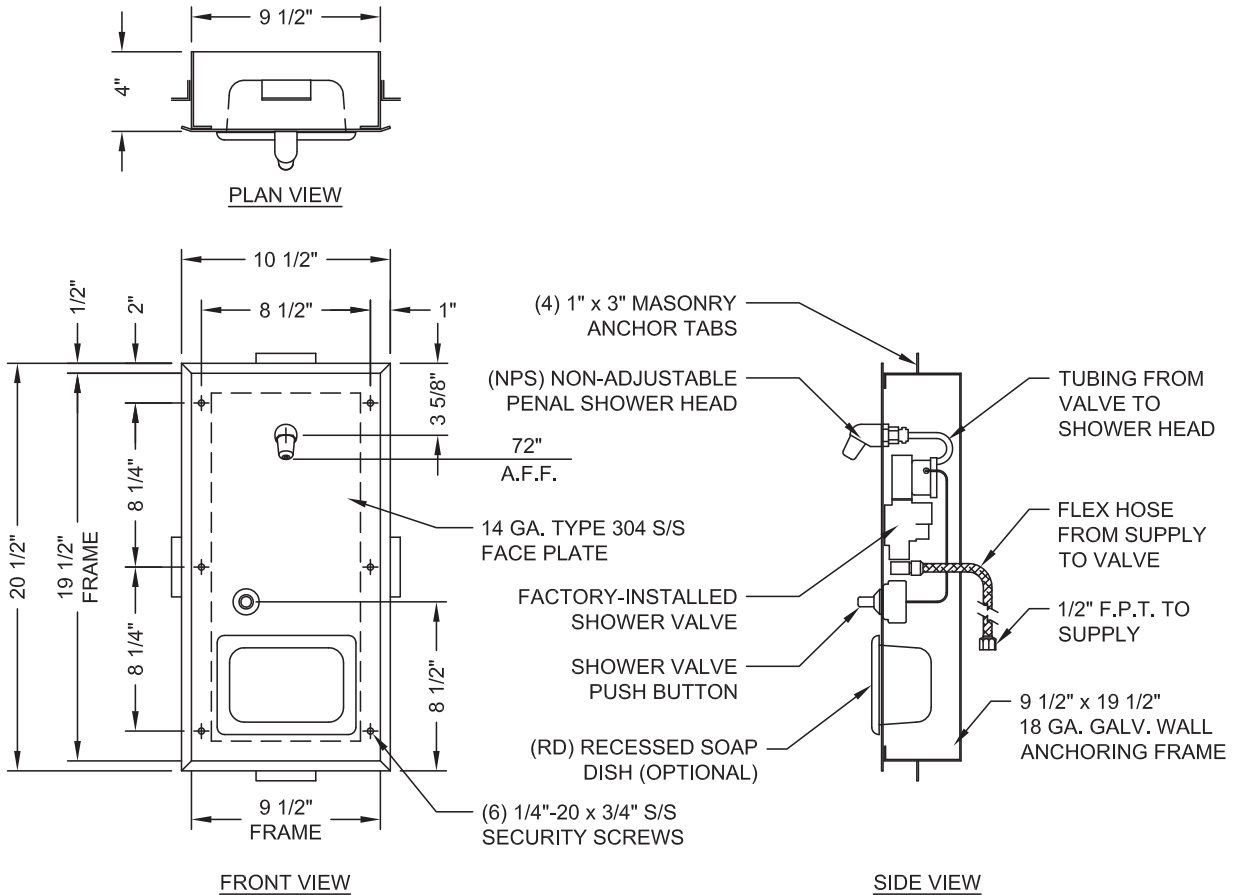
7.) Options:

- TMV In-line Thermostatic Mixing Valve
 TF24H Hard-wired Transformer, 110VAC to 24VAC*
 TF24P Plug-in Transformer, 110VAC to 24VAC*
 RD Recessed Mounted Soap Dish
 SD Surface Mounted Soap Dish
 Other _____
 Other _____

*(Req. 110V power through ground fault interrupter (GFCI) receptacle)

Approved For Manufacturing By: _____ Date: _____ Company: _____
 Wall Thickness: _____ Wall Type: _____

VERIFY ALL DIMENSIONS WITH FACTORY PRIOR TO ROUGH-IN
 WILLOUGHBY RESERVES THE RIGHT TO MAKE CHANGES IN DESIGN AND DIMENSIONS WITHOUT FORMAL NOTICE AND WITHOUT INCURRING OBLIGATION.

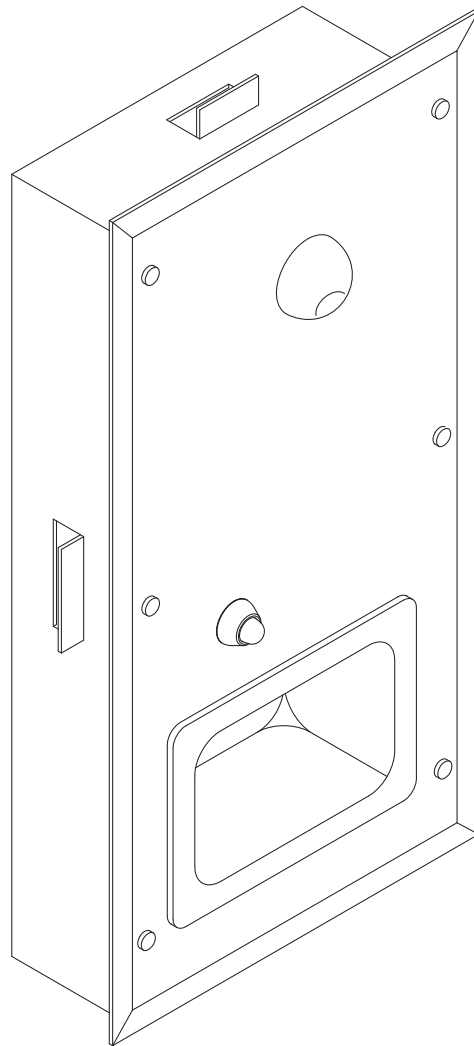


visit our website at www.willoughby-ind.com
 5105 West 78th Street • Indianapolis, IN. 46268
 (317) 875-0830 • Fax: (317) 875-0837 • (800) 428-4065



MADE IN THE U.S.A.

ASWRS-FA Series Ligature-resistant Front Mounted Recessed Shower Panel



(Unit may be shown with optional features)

Recommended Specifications

Ligature-resistant, Front Mounted, Recessed Shower Panel shall be: Willoughby Model No. **ASWRS-FA**
(Select from model number and options list on next page)

Shower panel shall be fabricated from 14 gauge, Type 304 stainless steel with exposed stainless surfaces polished to a #4 satin finish. Mounting frame shall be fabricated from 18 gauge galvanized steel.

Standard equipment shall include:

- Shower valve (Select from Valve Selection options list)
- (CSH) ligature-resistant, vandal resistant shower head

Shower panel shall attach to mounting frame with vandal resistant stainless steel screws. Unit requires no chase area for installation and maintenance.

To specify fixture and accessories, use the Model Number and Options page.

Example: To specify a Ligature-resistant, Front Mounted, Recessed Shower Panel with single temp. pneumatic metering valve, (PBH) push button, standard 2.5 GPM flow rate, standard (CSH) shower head, in-line thermostatic mixing valve, and recessed mounted soap dish

Use the following Willoughby Model Number:

ASWRS-FA-PML1-PBH-2.5GPM-CSH-RD-TMV

visit our website at www.willoughby-ind.com

5105 West 78th Street • Indianapolis, IN. 46268
(317) 875-0830 • Fax: (317) 875-0837 • (800) 428-4065



MADE IN THE U.S.A.

MODEL NUMBER AND OPTIONS:

1.) Base Model Number:

ASWRS-FA Ligature-resistant, Front Mounted, Recessed Shower Panel

5.) Electronic Controls* (Must Use Electronic Push Button):

WUSC-2200 WUSC-2400 Pneutronic WMS II

2.) Valve Selection:

NV No Valve
 PML1 Single Temp. Pneumatic Metering
 PML2 Dual Temp. Pneumatic Metering
 E1L1 Single Temp. Electronic (Pick Control)*
 E1L2 Dual Temp. Electronic (Pick Control)*

6.) Shower Head Selection:

CSH Ligature-resistant Shower Head (Standard)

3.) Push Button Selection:

Pneumatic or Electronic Valves Only:

PBH Ligature-resistant Push Buttons
 EPBH Ligature-resistant Electronic Push Buttons*
 PZPB Piezo Push Buttons*

7.) Options:

TMV In-line Thermostatic Mixing Valve
 TF24H Hard-wired Transformer, 110VAC to 24VAC*
 TF24P Plug-in Transformer, 110VAC to 24VAC*
 RD Recessed Mounted Soap Dish
 Other _____
 Other _____

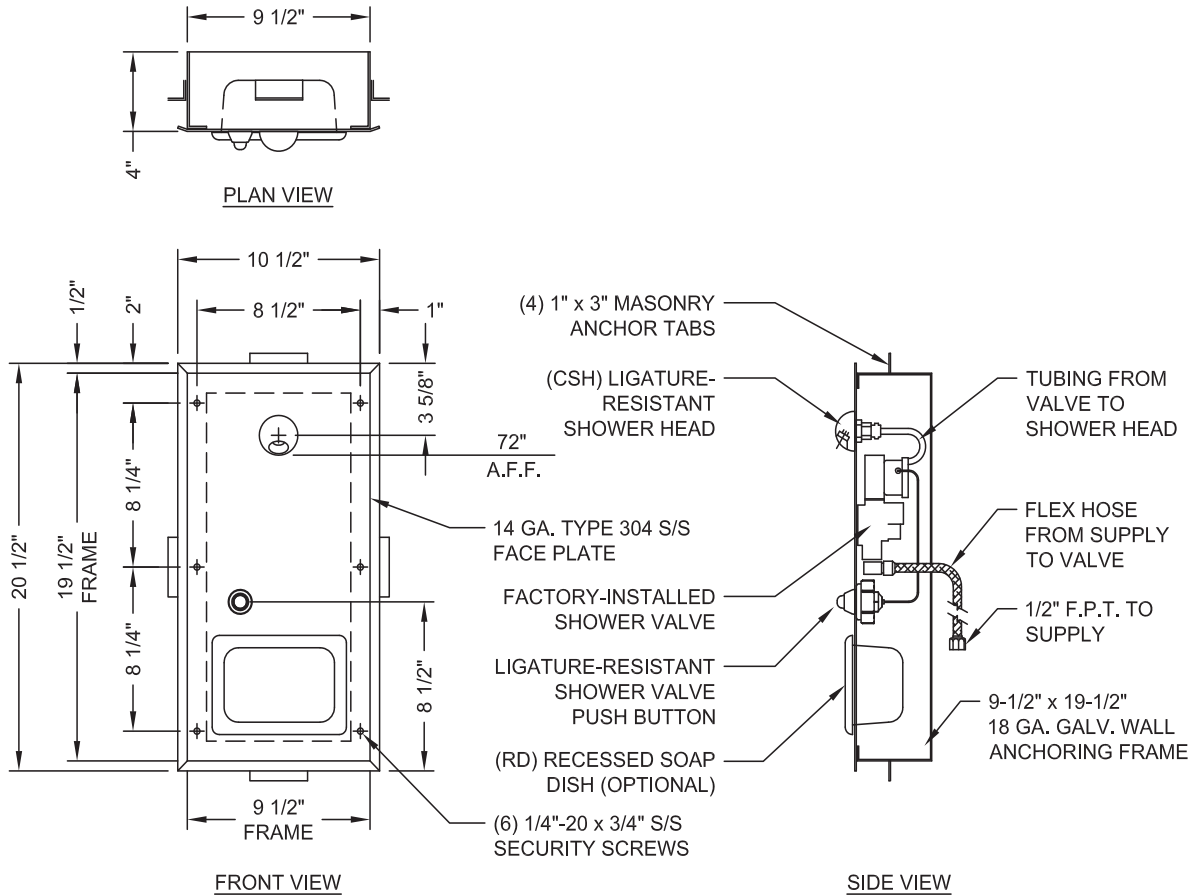
* (Req. 110V power through ground fault interrupter (GFCI) receptacle)

4.) Flow Rates:

2.5 GPM (Standard)
 2.0 GPM
 1.5 GPM

Approved For Manufacturing By: _____ Date: _____ Company: _____
 Wall Thickness: _____ Wall Type: _____

VERIFY ALL DIMENSIONS WITH FACTORY PRIOR TO ROUGH-IN
 WILLOUGHBY RESERVES THE RIGHT TO MAKE CHANGES IN DESIGN AND DIMENSIONS WITHOUT FORMAL NOTICE AND WITHOUT INCURRING OBLIGATION.

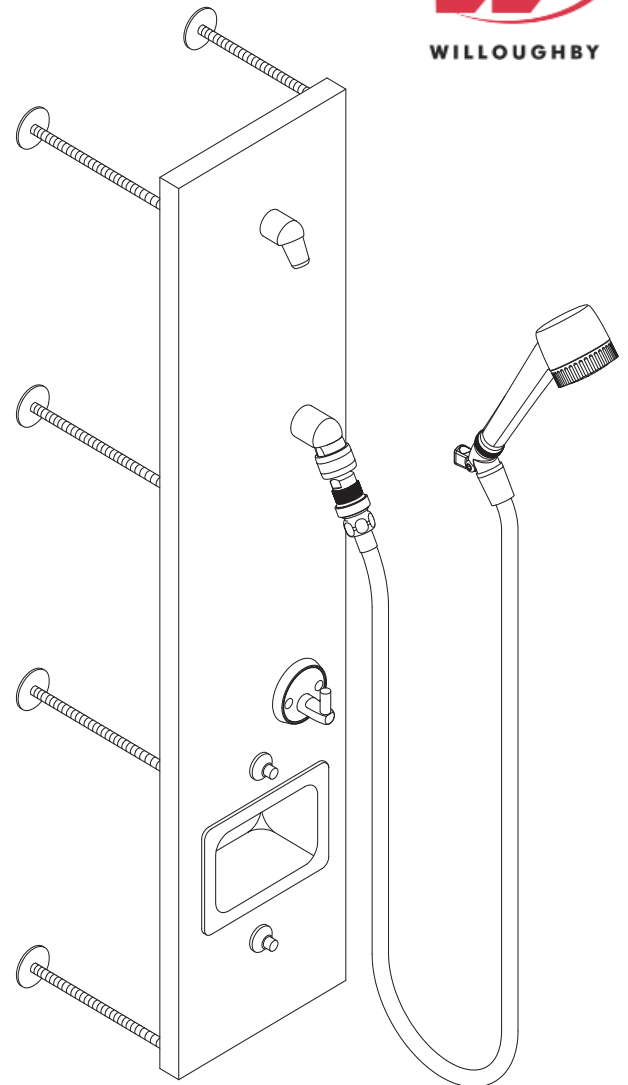


visit our website at www.willoughby-ind.com
 5105 West 78th Street • Indianapolis, IN. 46268
 (317) 875-0830 • Fax: (317) 875-0837 • (800) 428-4065



MADE IN THE U.S.A.

WRS-BF Series Rear Mounted Recessed Handicap Shower Panel w/ Hand Held Flexshower Head



(Unit may be shown with optional features)

Recommended Specifications

Rear Mounted, Recessed Handicap Shower Panel w/ Hand Held Flexshower Head shall be:
Willoughby Model No. **WRS-BF**
(Select from model number and options list on next page)

Shower panel shall be fabricated from 14 gauge, Type 304 stainless steel with exposed stainless surfaces polished to a #4 satin finish.

Standard equipment shall include:

- Shower valve (Select from Valve Selection options list)
- (NPS) non-adjustable penal shower head
- (FX) Hand held Flexshower head (w/ quick disconnect, vacuum breaker, and (1) hook)

Anchoring shall be by standard 8-point system: 1/2" threaded rods, nuts and washers shall be furnished for walls up to 8" thick. Unit requires chase area for installation and maintenance.

To specify fixture and accessories, use the Model Number and Options page.

Example: To specify a Rear Mounted, Recessed Handicap Shower Panel w/ Hand Held Flexshower Head with left hand controls, single temp. pneumatic metering valves (manifolded), standard pneumatic push buttons, standard 2.5 GPM flow rate, standard (NPS) and (FX) shower heads, in-line thermostatic mixing valve, and recessed mounted soap dish

Use the following Willoughby Model Number:

WRS-BF-L-PML1-MA2-PPB-2.5GPM-NPS-FX-TMV-RD

visit our website at www.willoughby-ind.com

5105 West 78th Street • Indianapolis, IN. 46268
(317) 875-0830 • Fax: (317) 875-0837 • (800) 428-4065



MADE IN THE U.S.A.

MODEL NUMBER AND OPTIONS:

1.) Base Model Number:

- WRS-BF Rear Mounted, Recessed Handicap Shower Panel w/ Hand Held Flexshower Head

2.) Panel Orientation (Must Specify):

- L Left Hand Controls
 R Right Hand Controls

3.) Valve Selection:

- NV No Valve
 PML1 Single Temp. Pneumatic Metering
 PML2 Dual Temp. Pneumatic Metering
 E1L1 Single Temp. Electronic (Pick Control)*
 E1L2 Dual Temp. Electronic (Pick Control)*

Valve Manifold Option:

Pneumatic or Electronic Valves Only:

(See the Manifold Option Page at the end of Catalog Section S5 for further information)

- MA2

4.) Push Button Selection:

Pneumatic or Electronic Valves Only:

- PPB Pneumatic Push Buttons
 EPB Electronic Push Buttons*
 PZPB Piezo Push Buttons*

5.) Flow Rates:

- 2.5 GPM (Standard)
 2.0 GPM
 1.5 GPM

6.) Electronic Controls* (Must Use Electronic Push Button):

- WUSC-2200 WUSC-2400 Pneumatic WMS II

7.) Shower Head Selection:

- NPS Non-adjustable Penal Shower Head (Standard)
 FX Hand Held Flexshower w/ Quick Disconnect and Vacuum Breaker (Standard)
 APS Adjustable Penal Shower Head

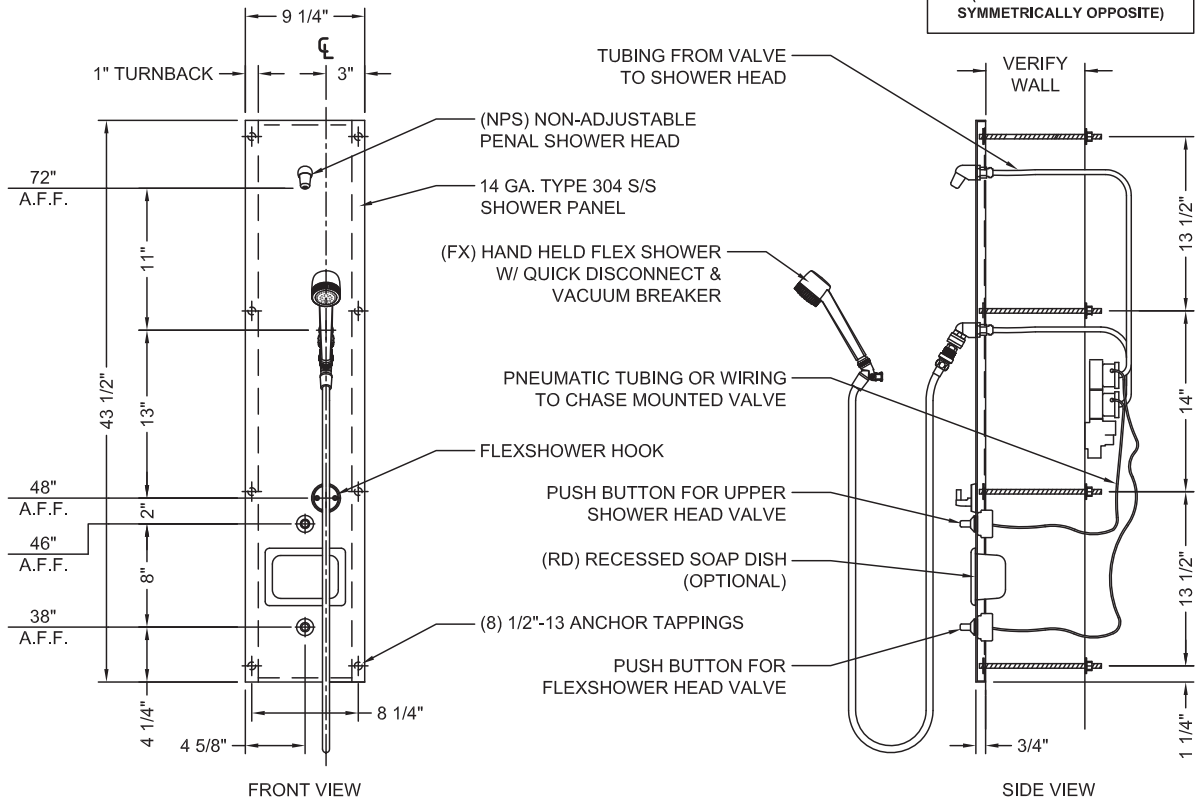
8.) Options:

- TMV In-line Thermostatic Mixing Valve
 TF24H Hard-wired Transformer, 110VAC to 24VAC*
 TF24P Plug-in Transformer, 110VAC to 24VAC*
 RD Recessed Mounted Soap Dish
 SD Surface Mounted Soap Dish
 WS Wall Sleeve (Requires Accessible Chase)
 Other _____
 Other _____

* (Req. 110V power through ground fault interrupter (GFCI) receptacle)

Approved For Manufacturing By: _____ Date: _____ Company: _____
 Wall Thickness: _____ Wall Type: _____

VERIFY ALL DIMENSIONS WITH FACTORY PRIOR TO ROUGH-IN
 WILLOUGHBY RESERVES THE RIGHT TO MAKE CHANGES IN DESIGN AND DIMENSIONS WITHOUT FORMAL NOTICE AND WITHOUT INCURRING OBLIGATION.



visit our website at www.willoughby-ind.com

5105 West 78th Street • Indianapolis, IN. 46268

(317) 875-0830 • Fax: (317) 875-0837 • (800) 428-4065



MADE IN THE U.S.A.



WRS-BF-FA Series Front Mounted Recessed Handicap Shower Panel w/ Hand Held Flexshower Head



Recommended Specifications

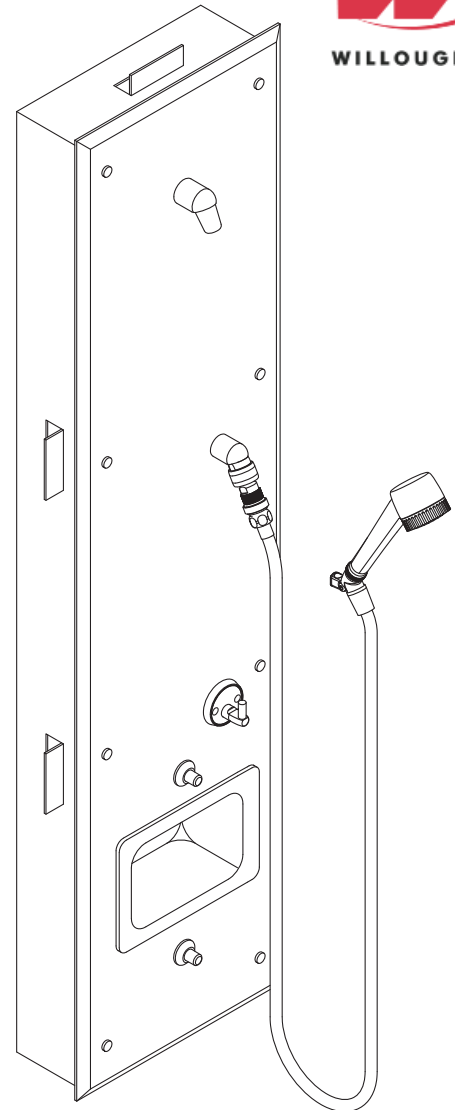
Front Mounted, Recessed Handicap Shower Panel w/
Hand Held Flexshower Head shall be:
Willoughby Model No. **WRS-BF-FA**
(Select from model number and options list on next page)

Shower panel shall be fabricated from 14 gauge, Type 304 stainless steel with exposed stainless surfaces polished to a #4 satin finish. Mounting frame shall be fabricated from 18 gauge galvanized steel.

Standard equipment shall include:

- Shower valve (Select from Valve Selection options list)
- (NPS) non-adjustable penal shower head
- (FX) Hand held Flexshower head (w/ quick disconnect, vacuum breaker, and (1) hook)

Shower panel shall attach to mounting frame with vandal resistant stainless steel screws. Unit requires no chase area for installation and maintenance.



(Unit may be shown with optional features)

To specify fixture and accessories, use the Model Number and Options page.

Example: To specify a Front Mounted, Recessed Handicap Shower Panel w/ Hand Held Flexshower Head with left hand controls, single temp. pneumatic metering valves(manifolded), standard pneumatic push buttons, standard 2.5 GPM flow rate, standard (NPS) and (FX) shower heads, in-line thermostatic mixing valve, and recessed mounted soap dish

Use the following Willoughby Model Number:

WRS-BF-FA-L-PML1-MA2-PPB-2.5GPM-NPS-FX-TMV-RD

visit our website at www.willoughby-ind.com
5105 West 78th Street • Indianapolis, IN. 46268
(317) 875-0830 • Fax: (317) 875-0837 • (800) 428-4065



MADE IN THE U.S.A.

MODEL NUMBER AND OPTIONS:

1.) Base Model Number:

- WRS-BF-FA Front Mounted, Recessed Handicap Shower Panel
w/ Hand Held Flexshower Head

2.) Panel Orientation (Must Specify):

- L Left Hand Controls
 R Right Hand Controls

3.) Valve Selection:

- NV No Valve
 PML1 Single Temp. Pneumatic Metering
 PML2 Dual Temp. Pneumatic Metering
 E1L1 Single Temp. Electronic (Pick Control)*
 E1L2 Dual Temp. Electronic (Pick Control)*

Valve Manifold Option:

Pneumatic or Electronic Valves Only:

**(See the Manifold Option Page at the end of
Catalog Section S5 for further information)**

- MA2

4.) Push Button Selection:

Pneumatic or Electronic Valves Only:

- PPB Pneumatic Push Buttons
 EPB Electronic Push Buttons*
 PZPB Piezo Push Buttons*

5.) Flow Rates:

- 2.5 GPM (Standard)
 2.0 GPM
 1.5 GPM

6.) Electronic Controls* (Must Use Electronic Push Button):

- WUSC-2200 WUSC-2400 Pneumatic WMS II

7.) Shower Head Selection:

- NPS Non-adjustable Penal Shower Head (Standard)
 FX Hand Held Flexshower w/ Quick Disconnect and
Vacuum Breaker (Standard)
 APS Adjustable Penal Shower Head

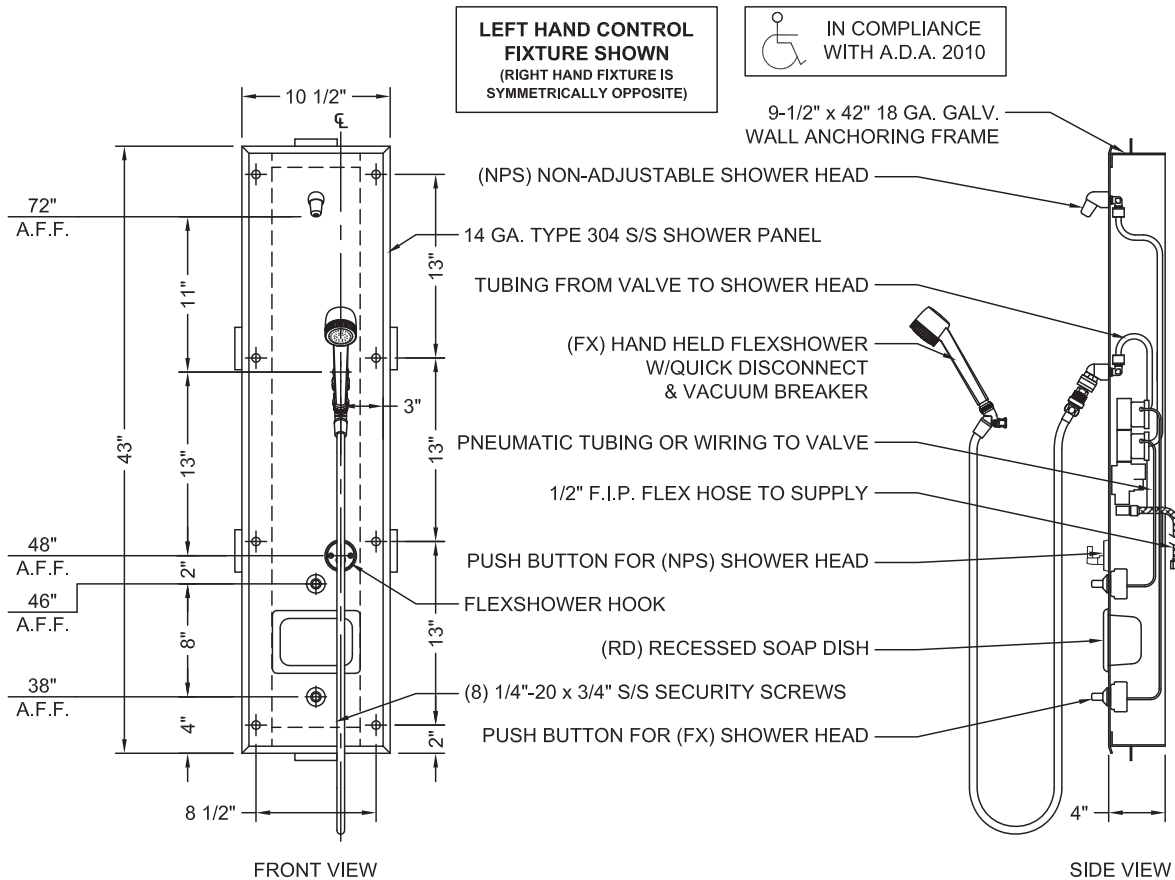
8.) Options:

- TMV In-line Thermostatic Mixing Valve
 TF24H Hard-wired Transformer, 110VAC to 24VAC*
 TF24P Plug-in Transformer, 110VAC to 24VAC*
 RD Recessed Mounted Soap Dish
 SD Surface Mounted Soap Dish
 Other _____
 Other _____

*(Req. 110V power through ground fault interrupter (GFCI) receptacle)

Approved For Manufacturing By: _____ Date: _____ Company: _____
Wall Thickness: _____ Wall Type: _____

VERIFY ALL DIMENSIONS WITH FACTORY PRIOR TO ROUGH-IN
WILLOUGHBY RESERVES THE RIGHT TO MAKE CHANGES IN DESIGN AND
DIMENSIONS WITHOUT FORMAL NOTICE AND WITHOUT INCURRING OBLIGATION.



visit our website at www.willoughby-ind.com

5105 West 78th Street • Indianapolis, IN. 46268

(317) 875-0830 • Fax: (317) 875-0837 • (800) 428-4065



MADE IN THE U.S.A.

WRS-BF-2HD Series Rear Mounted Recessed Handicap Shower Panel w/(2) Fixed Shower Heads



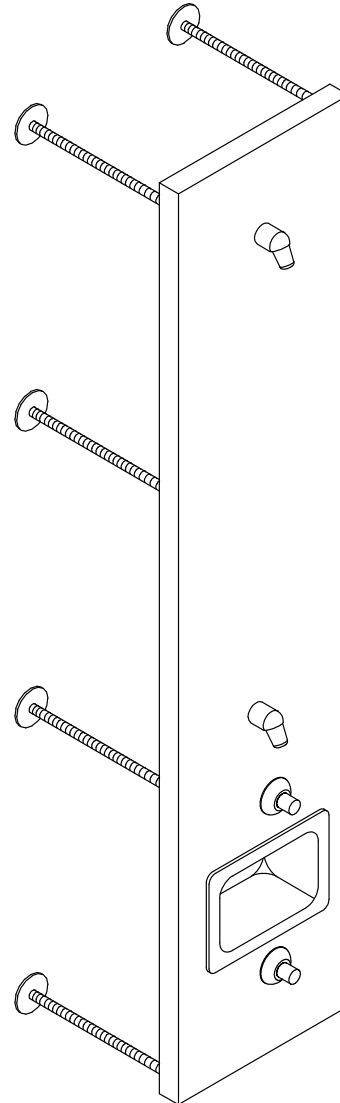
Recommended Specifications

Rear Mounted, Recessed Handicap Shower Panel w/(2) Fixed Shower Heads shall be:
Willoughby Model No. **WRS-BF-2HD**
(Select from model number and options list on next page)

Shower panel shall be fabricated from 14 gauge, Type 304 stainless steel with exposed stainless surfaces polished to a #4 satin finish.

Standard equipment shall include:
- Shower valve (Select from Valve Selection options list)
- (2) (NPS) non-adjustable penal shower heads

Anchoring shall be by standard 8-point system: 1/2" threaded rods, nuts and washers shall be furnished for walls up to 8" thick. Unit requires chase area for installation and maintenance.



(Unit may be shown with optional features)

To specify fixture and accessories, use the Model Number and Options page.

Example: To specify a Rear Mounted, Recessed Handicap Shower Panel w/(2) Fixed Shower Heads with single temp. pneumatic metering valves (manifolded), standard pneumatic push buttons, standard 2.5 GPM flow rate, standard (NPS) shower heads, in-line thermostatic mixing valve, and recessed mounted soap dish

Use the following Willoughby Model Number:
WRS-BF-2HD-PML1-MA2-PPB-2.5GPM-NPS-TMV-RD

visit our website at www.willoughby-ind.com

5105 West 78th Street • Indianapolis, IN. 46268
(317) 875-0830 • Fax: (317) 875-0837 • (800) 428-4065



MADE IN THE U.S.A.

MODEL NUMBER AND OPTIONS:

1.) Base Model Number:

- WRS-BF-2HD Rear Mounted, Recessed Handicap Shower Panel w/(2) Fixed Shower Heads

2.) Valve Selection:

- NV No Valve
 PML1 Single Temp. Pneumatic Metering
 PML2 Dual Temp. Pneumatic Metering
 E1L1 Single Temp. Electronic (Pick Control)*
 E1L2 Dual Temp. Electronic (Pick Control)*

Valve Manifold Option:

Pneumatic or Electronic Valves Only:

(See the Manifold Option Page at the end of Catalog Section S5 for further information)

- MA2

3.) Push Button Selection:

Pneumatic or Electronic Valves Only:

- PPB Pneumatic Push Buttons
 EPB Electronic Push Buttons*
 PZPB Piezo Push Buttons*

4.) Flow Rates:

- 2.5 GPM (Standard)
 2.0 GPM
 1.5 GPM

5.) Electronic Controls* (Must Use Electronic Push Button):

- WUSC-2200 WUSC-2400 Pneutronic WMS II

6.) Shower Head Selection:

- NPS Non-adjustable Penal Shower Heads (Standard)
 APS Adjustable Penal Shower Heads

7.) Options:

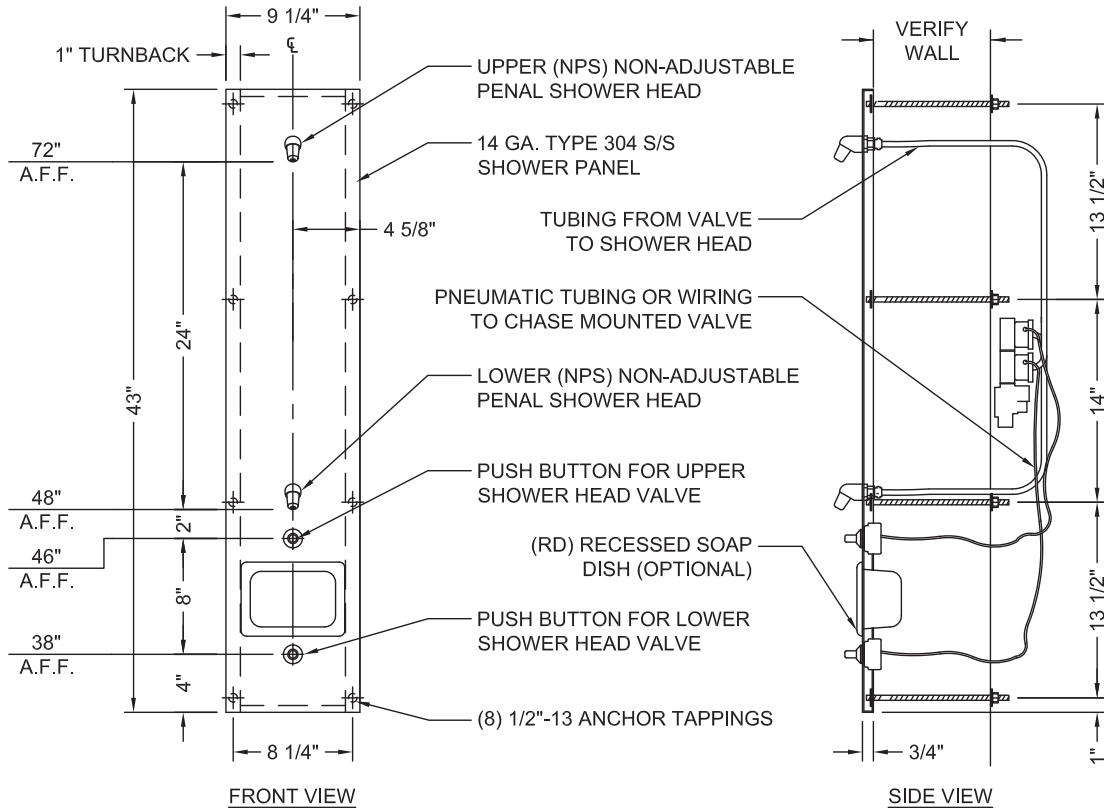
- TMV In-line Thermostatic Mixing Valve
 TF24H Hard-wired Transformer, 110VAC to 24VAC*
 TF24P Plug-in Transformer, 110VAC to 24VAC*
 RD Recessed Mounted Soap Dish
 SD Surface Mounted Soap Dish
 WS Wall Sleeve
 MT Metal Template
 Other _____
 Other _____

*(Req. 110V power through ground fault interrupter (GFCI) receptacle)

Approved For Manufacturing By: _____ Date: _____ Company: _____
 Wall Thickness: _____ Wall Type: _____



VERIFY ALL DIMENSIONS WITH FACTORY PRIOR TO ROUGH-IN
 WILLOUGHBY RESERVES THE RIGHT TO MAKE CHANGES IN DESIGN AND DIMENSIONS WITHOUT FORMAL NOTICE AND WITHOUT INCURRING OBLIGATION.



visit our website at www.willoughby-ind.com
 5105 West 78th Street • Indianapolis, IN. 46268
 (317) 875-0830 • Fax: (317) 875-0837 • (800) 428-4065



MADE IN THE U.S.A.

ASWRS-BF-2HD Series Ligature-resistant Rear Mounted Recessed Handicap Shower Panel w/(2) Fixed Shower Heads



Recommended Specifications

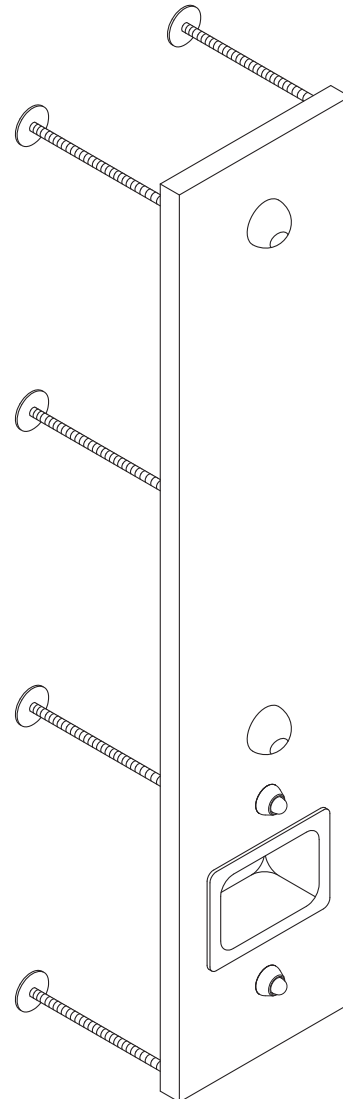
Ligature-resistant, Rear Mounted, Recessed Handicap Shower Panel w/(2) Fixed Shower Heads shall be:
Willoughby Model No. **ASWRS-BF-2HD**
(Select from model number and options list on next page)

Shower panel shall be fabricated from 14 gauge, Type 304 stainless steel with exposed stainless surfaces polished to a #4 satin finish.

Standard equipment shall include:

- Shower valve (Select from Valve Selection options list)
- (2) (CSH) ligature-resistant, vandal resistant shower heads

Anchoring shall be by standard 8-point system: 1/2" threaded rods, nuts and washers shall be furnished for walls up to 8" thick. Unit requires chase area for installation and maintenance.



(Unit may be shown with optional features)

To specify fixture and accessories, use the Model Number and Options page.

Example: To specify a Ligature-resistant, Rear Mounted, Recessed Handicap Shower Panel w/(2) Fixed Shower Heads with single temp. pneumatic metering valves (manifolded), (PBH) pneumatic push buttons, standard 2.5GPM flow rate, standard (CSH) shower heads, in-line thermostatic mixing valve, and recessed mounted soap dish

Use the following Willoughby Model Number:

ASWRS-BF-2HD-PML1-MA2-PBH-2.5GPM-CSH-TMV-RD

MODEL NUMBER AND OPTIONS:

1.) Base Model Number:

- ASWRS-BF-2HD Ligature-resistant, Rear Mounted, Recessed Handicap Shower Panel w/(2) Fixed Shower Heads

5.) Electronic Controls* (Must Use Electronic Push Button):

- WUSC-2200 WUSC-2400 Pneutronic WMS II

2.) Valve Selection:

- NV No Valve
 PML1 Single Temp. Pneumatic Metering
 PML2 Dual Temp. Pneumatic Metering
 E1L1 Single Temp. Electronic (Pick Control)*
 E1L2 Dual Temp. Electronic (Pick Control)*

Valve Manifold Option:

Pneumatic or Electronic Valves Only:

(See the Manifold Option Page at the end of Catalog Section S5 for further information)

- MA2

6.) Shower Head Selection:

- CSH Ligature-resistant Shower Heads (Standard)

7.) Options:

- TMV In-line Thermostatic Mixing Valve
 TF24H Hard-wired Transformer, 110VAC to 24VAC*
 TF24P Plug-in Transformer, 110VAC to 24VAC*
 RD Recessed Mounted Soap Dish
 WS Wall Sleeve
 MT Metal Template
 Other _____
 Other _____

*(Req. 110V power through ground fault interrupter (GFCI) receptacle)

3.) Push Button Selection:

Pneumatic or Electronic Valves Only:

- PBH Ligature-resistant Push Buttons
 EPBH Ligature-resistant Electronic Push Buttons*
 PZPB Piezo Push Buttons*

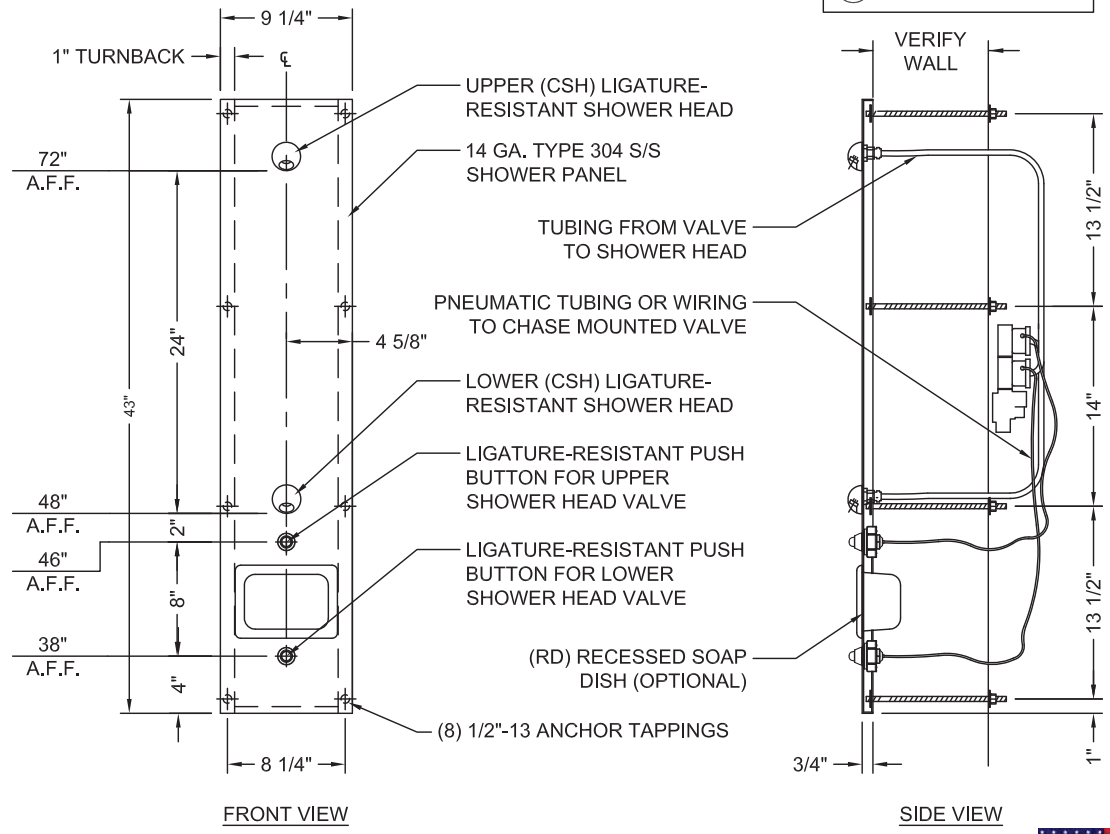
4.) Flow Rates:

- 2.5 GPM (Standard)
 2.0 GPM
 1.5 GPM

Approved For Manufacturing By: _____ Date: _____ Company: _____
 Wall Thickness: _____ Wall Type: _____



VERIFY ALL DIMENSIONS WITH FACTORY PRIOR TO ROUGH-IN
 WILLOUGHBY RESERVES THE RIGHT TO MAKE CHANGES IN DESIGN AND DIMENSIONS WITHOUT FORMAL NOTICE AND WITHOUT INCURRING OBLIGATION.

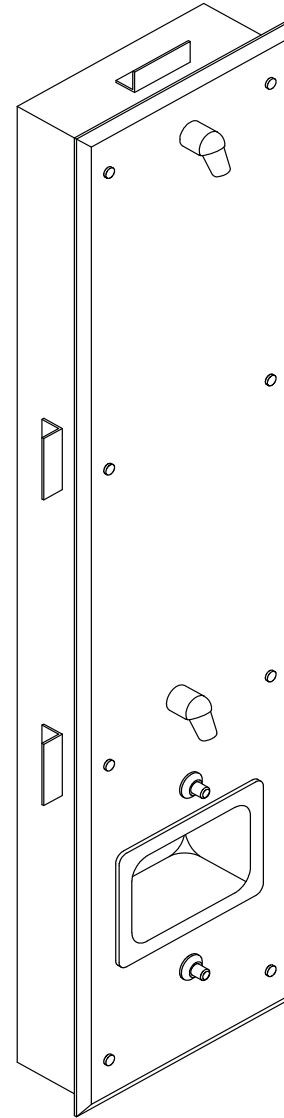


visit our website at www.willoughby-ind.com
 5105 West 78th Street • Indianapolis, IN. 46268
 (317) 875-0830 • Fax: (317) 875-0837 • (800) 428-4065



MADE IN THE U.S.A.

WRS-BF-FA-2HD Series Front Mounted Recessed Handicap Shower Panel w/(2) Fixed Shower Heads



(Unit may be shown with optional features)



Recommended Specifications

Front Mounted, Recessed Handicap Shower Panel w/(2) Fixed Shower Heads shall be:
Willoughby Model No. **WRS-BF-FA-2HD**
(Select from model number and options list on next page)

Shower panel shall be fabricated from 14 gauge, Type 304 stainless steel with exposed stainless surfaces polished to a #4 satin finish. Mounting frame shall be fabricated from 18 gauge galvanized steel.

Standard equipment shall include:
- Shower valve (Select from Valve Selection options list)
- (2) (NPS) non-adjustable penal shower heads

Shower panel shall attach to mounting frame with security screws. Unit requires no chase area for installation and maintenance.

To specify fixture and accessories, use the Model Number and Options page.

Example: To specify a Front Mounted, Recessed Handicap Shower Panel w/(2) Fixed Shower Heads with single temp. pneumatic metering valves (manifolded), standard pneumatic push buttons, standard 2.5 GPM flow rate, standard (NPS) shower heads, in-line thermostatic mixing valve, and recessed mounted soap dish

Use the following Willoughby Model Number:

WRS-BF-FA-2HD-PML1-MA2-PPB-2.5GPM-NPS-TMV-RD



MODEL NUMBER AND OPTIONS:

1.) Base Model Number:

- WRS-BF-FA-2HD Front Mounted, Recessed Handicap Shower Panel w/(2) Fixed Shower Heads

5.) Electronic Controls* (Must Use Electronic Push Button):

- WUSC-2200 WUSC-2400 Pneutronic WMS II

2.) Valve Selection:

- NV No Valve
- PML1 Single Temp. Pneumatic Metering
- PML2 Dual Temp. Pneumatic Metering
- E1L1 Single Temp. Electronic (Pick Control)*
- E1L2 Dual Temp. Electronic (Pick Control)*

Valve Manifold Option:

Pneumatic or Electronic Valves Only:

(See the Manifold Option Page at the end of Catalog Section S5 for further information)

- MA2

6.) Shower Head Selection:

- NPS Non-adjustable Penal Shower Heads (Standard)
- APS Adjustable Penal Shower Heads

7.) Options:

- TMV In-line Thermostatic Mixing Valve
- TF24H Hard-wired Transformer, 110VAC to 24VAC*
- TF24P Plug-in Transformer, 110VAC to 24VAC*
- RD Recessed Mounted Soap Dish
- SD Surface Mounted Soap Dish
- Other _____
- Other _____

*(Req. 110V power through ground fault interrupter (GFCI) receptacle)

3.) Push Button Selection:

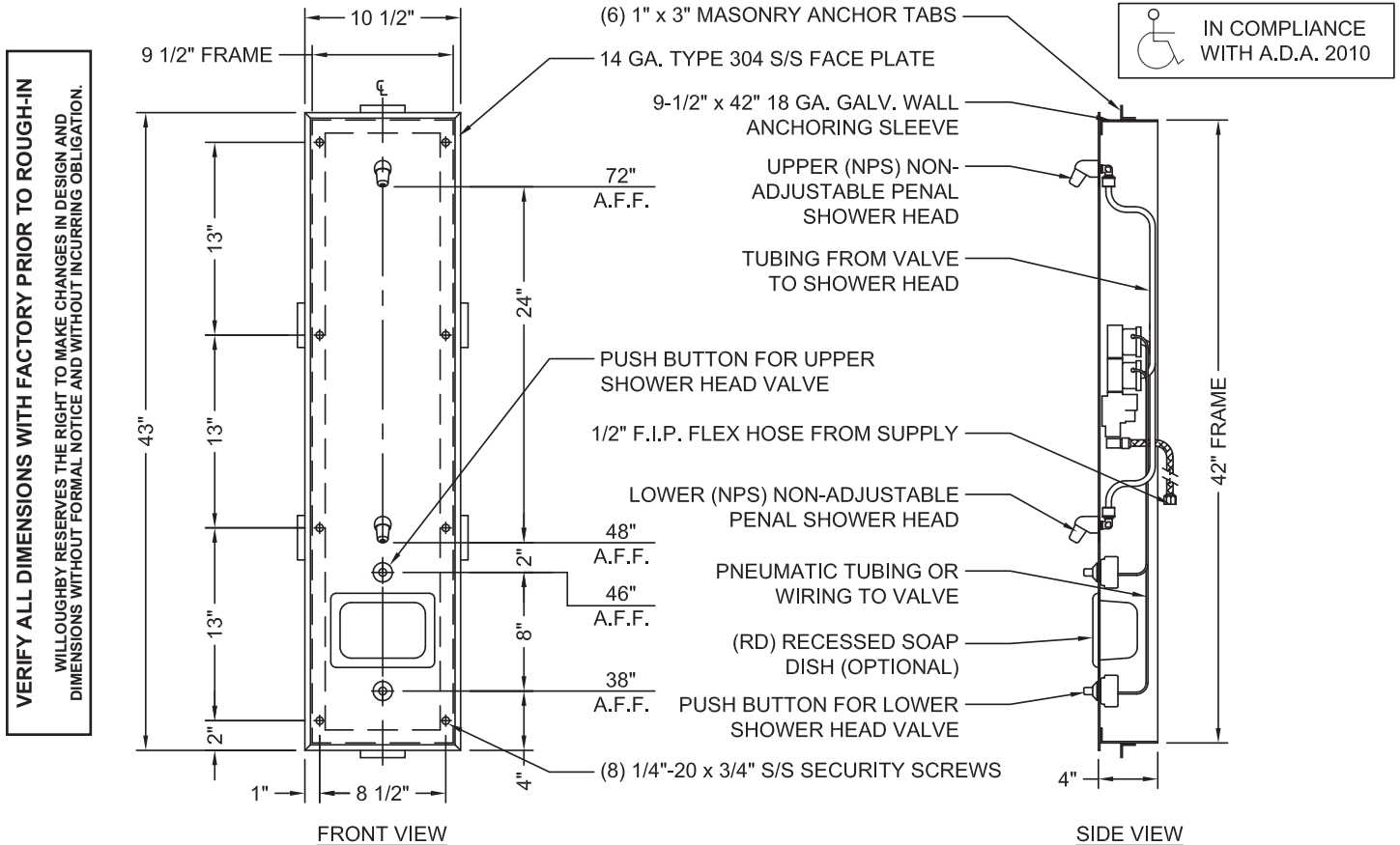
Pneumatic or Electronic Valves Only:

- PPB Pneumatic Push Buttons
- EPB Electronic Push Buttons*
- PZPB Piezo Push Buttons*

4.) Flow Rates:

- 2.5 GPM (Standard)
- 2.0 GPM
- 1.5 GPM

Approved For Manufacturing By: _____ Date: _____ Company: _____
 Wall Thickness: _____ Wall Type: _____



visit our website at www.willoughby-ind.com
 5105 West 78th Street • Indianapolis, IN. 46268
 (317) 875-0830 • Fax: (317) 875-0837 • (800) 428-4065



MADE IN THE U.S.A.

ASWRS-BF-FA-2HD Series Ligature-resistant Front Mounted Recessed Handicap Shower Panel w/(2) Fixed Shower Heads



Recommended Specifications

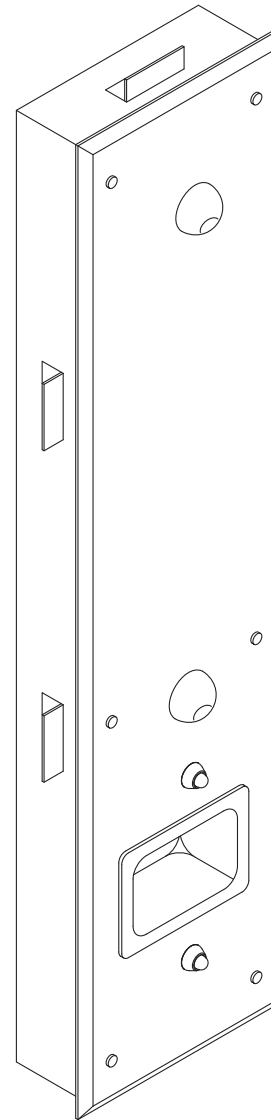
Ligature-resistant, Front Mounted, Recessed Handicap Shower Panel w/(2) Fixed Shower Heads shall be:
Willoughby Model No. **ASWRS-BF-FA-2HD**
(Select from model number and options list on next page)

Shower panel shall be fabricated from 14 gauge, Type 304 stainless steel with exposed stainless surfaces polished to a #4 satin finish. Mounting frame shall be fabricated from 18 gauge galvanized steel.

Standard equipment shall include:

- Shower valve (Select from Valve Selection options list)
- (2) (CSH) ligature-resistant, vandal resistant shower heads

Shower panel shall attach to mounting frame with security screws. Unit requires no chase area for installation and maintenance.



(Unit may be shown with optional features)

To specify fixture and accessories, use the Model Number and Options page.

Example: To specify a Ligature-resistant, Front Mounted, Recessed Handicap Shower Panel w/(2) Fixed Shower Heads with single temp. pneumatic metering valves (manifolded), (PBH) pneumatic push buttons, standard 2.5 GPM flow rate, standard (CSH) shower heads, in-line thermostatic mixing valve, and recessed mounted soap dish

Use the following Willoughby Model Number:
ASWRS-BF-FA-2HD-PML1-MA2-PBH-2.5GPM-CSH-TMV-RD

visit our website at www.willoughby-ind.com

5105 West 78th Street • Indianapolis, IN. 46268
(317) 875-0830 • Fax: (317) 875-0837 • (800) 428-4065



MADE IN THE U.S.A.

MODEL NUMBER AND OPTIONS:

1.) Base Model Number:

- ASWRS-BF-FA-2HD Ligature-resistant, Front Mounted, Recessed Handicap Shower Panel w/(2) Fixed Shower Heads

5.) Electronic Controls* (Must Use Electronic Push Button):

- WUSC-2200 WUSC-2400 Pneutronic WMS II

2.) Valve Selection:

- NV No Valve
- PML1 Single Temp. Pneumatic Metering
- PML2 Dual Temp. Pneumatic Metering
- E1L1 Single Temp. Electronic (Pick Control)*
- E1L2 Dual Temp. Electronic (Pick Control)*

Valve Manifold Option:

Pneumatic or Electronic Valves Only:

(See the Manifold Option Page at the end of Catalog Section S5 for further information)

- MA2

6.) Shower Head Selection:

- CSH Ligature-resistant Shower Head (Standard)

7.) Options:

- TMV In-line Thermostatic Mixing Valve
- TF24H Hard-wired Transformer, 110VAC to 24VAC*
- TF24P Plug-in Transformer, 110VAC to 24VAC*
- RD Recessed Mounted Soap Dish
- Other _____
- Other _____

* (Req. 110V power through ground fault interrupter (GFCI) receptacle)

3.) Push Button Selection:

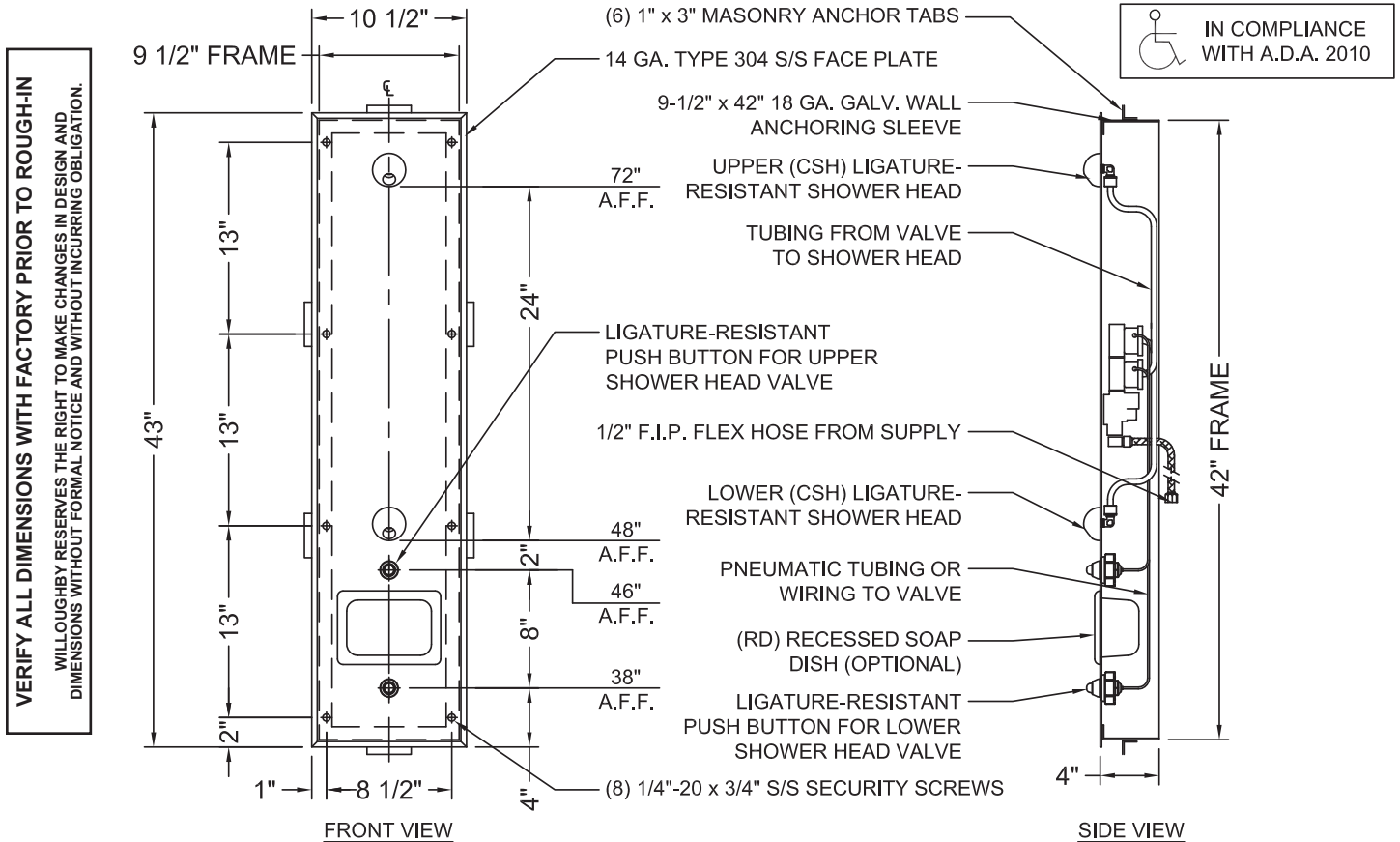
Pneumatic or Electronic Valves Only:

- PBH Ligature-resistant Push Buttons
- EPBH Ligature-resistant Electronic Push Buttons*
- PZPB Piezo Push Buttons*

4.) Flow Rates:

- 2.5 GPM (Standard)
- 2.0 GPM
- 1.5 GPM

Approved For Manufacturing By: _____ Date: _____ Company: _____
 Wall Thickness: _____ Wall Type: _____

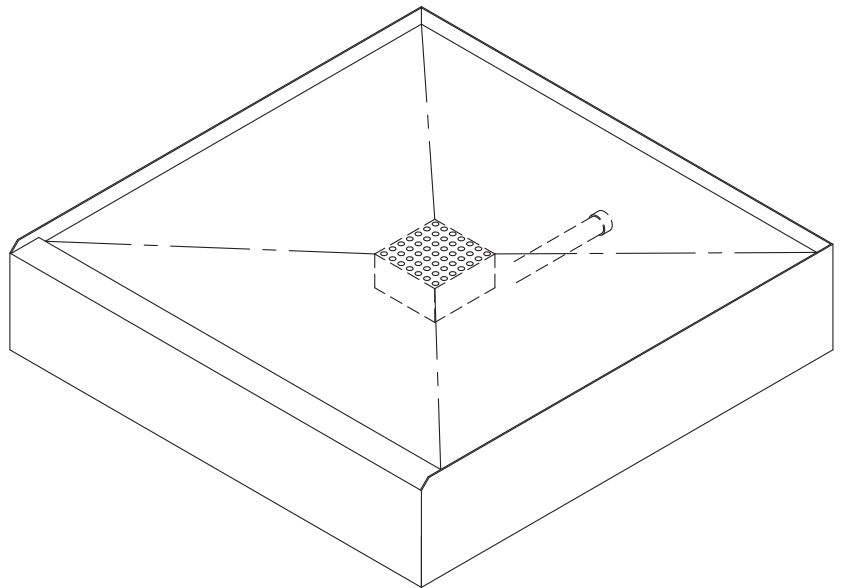


visit our website at www.willoughby-ind.com
 5105 West 78th Street • Indianapolis, IN. 46268
 (317) 875-0830 • Fax: (317) 875-0837 • (800) 428-4065



MADE IN THE U.S.A.

SB-Series Stainless Steel Shower Base



(Unit may be shown with optional features)

To specify fixture and accessories, use the Model Number and Options page.

Example: To specify an SB-Series stainless steel 36"x36" shower base with standard 2" F.I.P. elbow waste with integral strainer drain, back chase, and polished front and sides:

Use the following Willoughby Model Number:

SB-3636-EBD-BCS-A1

Recommended Specifications

Stainless steel shower base shall be:
Willoughby Model No. **SB-___**

Shower base shall be fabricated from 14 gauge, Type 304 stainless steel, except shower base floor which shall be fabricated from 11 gauge, Type 304 stainless steel. The construction shall be all-welded, exposed stainless surfaces polished to a #4 satin finish, except shower floor which shall have a slip-resistant glass-bead-blast finish floor.

Shower base floor has an integral drain and an integral tiling flange. Shower drain is supplied as standard w/ integral strainer drain with elbow waste (2" F.I.P.) extending to chase wall. Underside of floor shall be sound deadened with fire resistant material.

visit our website at www.willoughby-ind.com

5105 West 78th Street • Indianapolis, IN. 46268
(317) 875-0830 • Fax: (317) 875-0837 • (800) 428-4065



MADE IN THE U.S.A.

MODEL NUMBER AND OPTIONS:

1.) Base Model Number:

- SB-3030 30"x30" Stainless Steel Shower Base
- SB-3232 32"x32" Stainless Steel Shower Base
- SB-3636 36"x36" Stainless Steel Shower Base

2.) Drain Selection:

- EBD Elbow Waste for Cabinet Shower (2" FIP) w/ Integral Strainer Drain (Standard)
- ICD Inside Caulk Drain (2") w/ Removable Strainer
- PTD Integral 'P'-Trap Drain (2" FIP) w/ Removable Strainer

3.) Chase Wall Orientation:

- BCS Back Chase
- LCS Left Chase
- RCS Right Chase

4.) Fixture Exterior Finish Schedule:

*(Based on Chase Wall Orientation;
see the Options Pages at the end of
Catalog Section for diagram)*

For (BCS) Back Chase:

- A1 Polished Front, Left Side, & Right Side
- A2 Polished Front & Right Side
- A3 Polished Front & Left Side
- A4 Polished Front only

For (LCS) Left Chase:

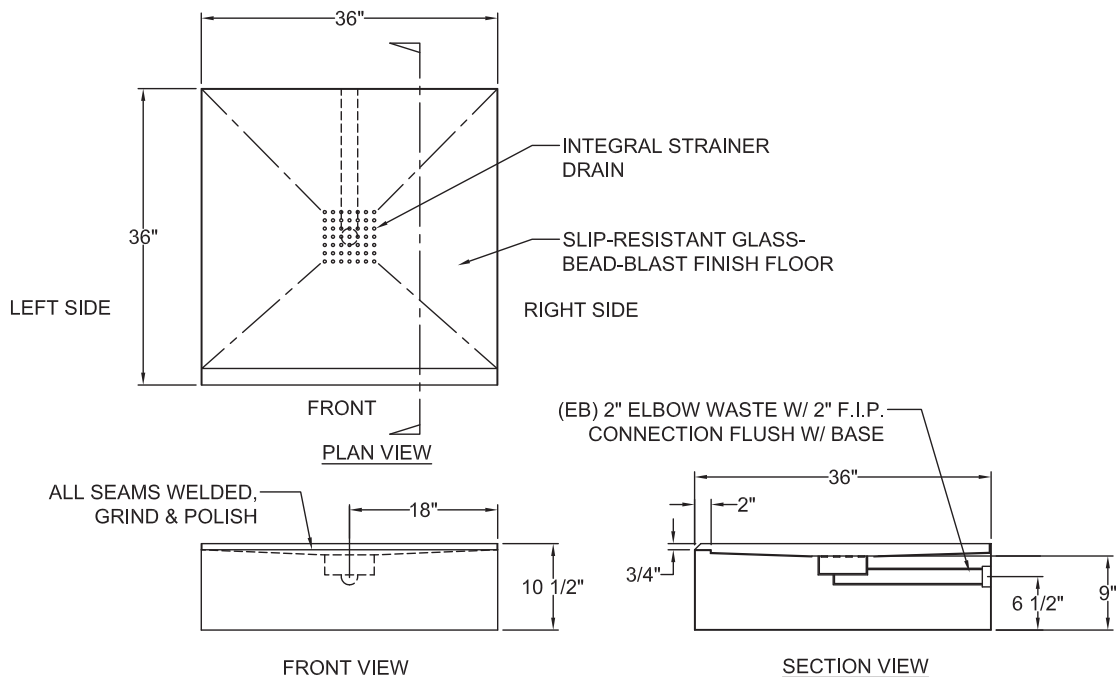
- B1 Polished Front, Back Side, & Right Side
- B2 Polished Front & Right Side
- B3 Polished Front only

For (RCS) Right Chase:

- C1 Polished Front, Back Side, & Left Side
- C2 Polished Front & Left Side
- C3 Polished Front only

Approved For Manufacturing By: _____ Date: _____ Company: _____
 Wall Thickness: _____ Wall Type: _____

VERIFY ALL DIMENSIONS WITH FACTORY PRIOR TO ROUGH-IN
 WILLOUGHBY RESERVES THE RIGHT TO MAKE CHANGES IN DESIGN AND DIMENSIONS WITHOUT FORMAL NOTICE AND WITHOUT INCURRING OBLIGATION.

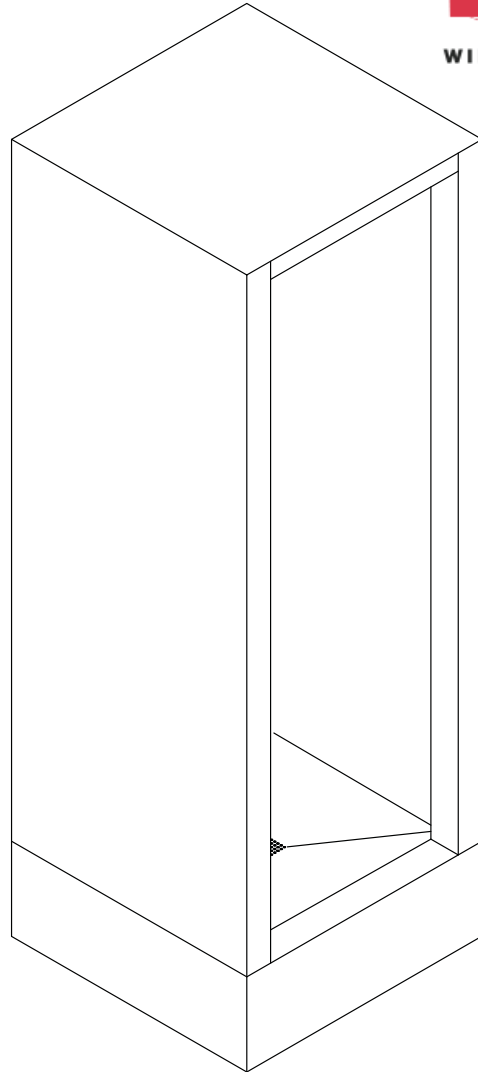


visit our website at www.willoughby-ind.com
 5105 West 78th Street • Indianapolis, IN. 46268
 (317) 875-0830 • Fax: (317) 875-0837 • (800) 428-4065



MADE IN THE U.S.A.

Cabinet Shower



*Please provide shower finish schedule upon ordering.
(Unit may be shown with optional features)*

Recommended Specifications

Cabinet Shower shall be:
Willoughby Model No. S-
(Select from model number and options list on next page)

Shower cabinet shall be fabricated from 14 gauge, Type 304 stainless steel. Shower floor shall be fabricated from 11 gauge, Type 304 stainless steel. The construction shall be **all welded** (unitized models only, not applicable to knockdown models), exposed stainless surfaces polished to a #4 satin finish, except shower floor which shall have a non-slip glass blast finish.

Standard equipment shall include:

- (NPS) non-adjustable penal shower head, mounted in front corner panel (plumbed through the side mullion, under shower floor, and to chase wall)
- (EBD) Integral strainer drain with elbow waste (2" F.I.P.) extending to chase wall

Unit requires chase area for installation and maintenance.

Underside of shower floor shall be sound deadened with fire resistant material.

To specify fixture and accessories, use the Model Number and Options page.

Example: To specify a unitized 36" x 36" Cabinet Shower with left hand shower head, back chase/valving, polished front, single temp. pneumatic metering valve, standard pneumatic push button, 2.5 GPM flow rate, standard non-adjustable penal shower head, standard elbow waste drain and recessed mounted soap dish

Use the following Willoughby Model Number:

US-3636-L-BCS-A4-PML1-PPB-2.5GPM-NPS-EBD-RD

To specify Knockdown Cabinet Shower: Select the "KS" model number from the list on the Model Number and Options page.

MODEL NUMBER AND OPTIONS:

1.) Base Model Number:

- Unitized Cabinet Showers:**
- US-3030 30"L x 30"W Cabinet Shower
 - US-3232 32"L x 32"W Cabinet Shower
 - US-3636 36"L x 36"W Cabinet Shower
- Knockdown Cabinet Showers:**
- KS-3030 30"L x 30"W Cabinet Shower
 - KS-3232 32"L x 32"W Cabinet Shower
 - KS-3636 36"L x 36"W Cabinet Shower

2.) Shower Head Orientation:

- L Left Hand
- R Right Hand

3.) Chase Wall/Valve Orientation:

- BCS Back Chase
- LCS Left Chase
- RCS Right Chase

4.) Cabinet Side Exterior Finish Schedule:

(Based on Chase Wall Orientation; see the Options Pages at the end of Catalog Section for diagram)

For (BCS) Back Chase:

- A1 Polished Front, Left Side, & Right Side
- A2 Polished Front & Right Side
- A3 Polished Front & Left Side
- A4 Polished Front only

For (LCS) Left Chase:

- B1 Polished Front, Back Side, & Right Side
- B2 Polished Front & Right Side
- B3 Polished Front only

For (RCS) Right Chase:

- C1 Polished Front, Back Side, & Left Side
- C2 Polished Front & Left Side
- C3 Polished Front only

5.) Valve Selection:

- NV No Valve
- PML1 Single Temp. Pneumatic Metering
- PML2 Dual Temp. Pneumatic Metering
- E1L1 Single Temp. Electronic (Pick Control)*
- E1L2 Dual Temp. Electronic (Pick Control)*
- PBV Pressure-Balancing Mixing Valve
- TPV Temp/Pressure-Balancing Mixing Valve
- TPLR Ligature-resistant Temp/Pressure-Balancing Mixing Valve

Valve Manifold Option:

Pneumatic or Electronic Valves Only:

(See the Manifold Option Page at the end of Catalog Section S5 for further information)

- MA2

6.) Push Button Selection:

Pneumatic or Electronic Valves Only:

- PPB Pneumatic Push Buttons
- PBH Ligature-resistant Push Buttons
- EPB Electronic Push Buttons*
- EPBH Ligature-resistant Electronic Push Buttons*
- PZPB Piezo Push Buttons*

7.) Flow Rates:

- 2.5 GPM (Standard)
- 2.0 GPM
- 1.5 GPM

8.) Electronic Controls*

(Must Use Electronic Push Button):

- WUSC-2200 WUSC-2400
- Pneutronic WMS II

9.) Shower Head Selection:

- NPS Non-adjustable Penal Shower Head (Standard)
- APS Adjustable Penal Shower Head
- CSH Ligature-resistant Shower Head

10.) Drain Selection:

- EBD Elbow waste for Cabinet Shower (2" FIP) (Standard)
- PTD Integral 'P'-Trap Cabinet Shower Drain (2" FIP)
- NHD No-hub Cabinet Shower Drain (2")
- ICD Inside Caulk Cabinet Shower Drain (2")

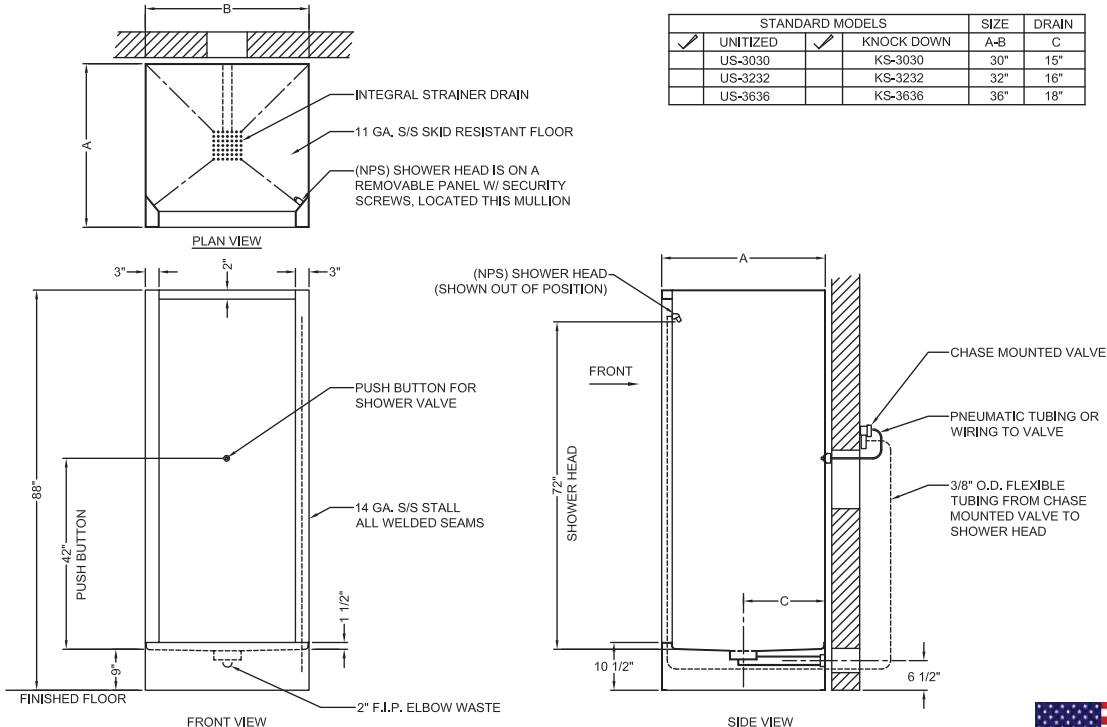
11.) Options:

- VG Ventilation Grille (Specify Free Area and Location; Standard Grille Dimensions: 8-3/4" x 8-3/4" with 15-3/4 in² open area)
- CP Closure Panels (Specify Dimensions and Locations)
- STC Sloping Top Closure
- MD Modesty Door (Not ADA-Compliant)
 - L Hinged Left
 - R Hinged Right
- CR Curtain Rod
- DR Drying Receptor
- TH1 Release Towel Hook
- RD Recessed Mounted Soap Dish
- SD Surface Mounted Soap Dish
- ZC 'Z'-Clip Floor Mounting
- TMV In-line Thermostatic Mixing Valve
- TF24H Hard-wired Transformer, 110VAC to 24VAC*
- TF24P Plug-in Transformer, 110VAC to 24VAC*
- Other _____
- Other _____

* (Req. 110V power through ground fault interrupter (GFCI) receptacle)

Approved For Manufacturing By: _____ Date: _____ Company: _____
 Wall Thickness: _____ Wall Type: _____

VERIFY ALL DIMENSIONS WITH FACTORY PRIOR TO ROUGH-IN
 WILLOUGHBY RESERVES THE RIGHT TO MAKE CHANGES IN DESIGN AND DIMENSIONS WITHOUT FORMAL NOTICE AND WITHOUT INCURRING OBLIGATION.

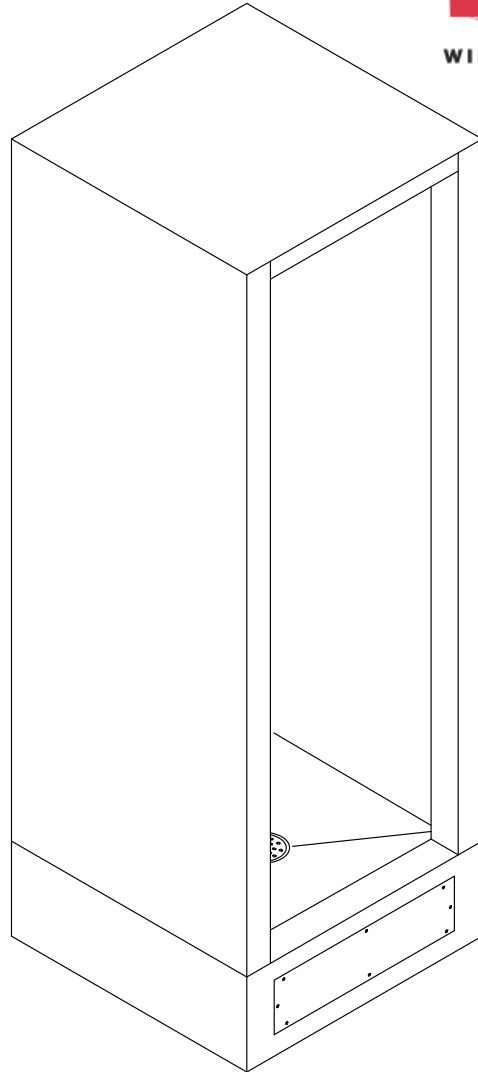


visit our website at www.willoughby-ind.com
 5105 West 78th Street • Indianapolis, IN. 46268
 (317) 875-0830 • Fax: (317) 875-0837 • (800) 428-4065



MADE IN THE U.S.A.

Front Access Cabinet Shower



*Please provide shower finish schedule upon ordering.
(Unit may be shown with optional features)*

Recommended Specifications

Front Access Cabinet Shower shall be:
Willoughby Model No. S- -FA
(Select from model number and options list on next page)

Shower cabinet shall be fabricated from 14 gauge, Type 304 stainless steel. Shower floor shall be fabricated from 11 gauge, Type 304 stainless steel. The construction shall be **all-welded** (unitized models only, not applicable to knockdown models), exposed stainless surfaces polished to a #4 satin finish, except shower floor which shall have a non-slip glass blast finish.

Standard equipment shall include:

- (NPS) non-adjustable penal shower head, mounted in a corner panel (plumbed to a top supply connection)
- (NHD) No-hub drain with removable strainer

Unit requires no chase area for installation and maintenance. Drain connection shall be through removable front access cover. Shower head and push button shall be mounted in a side mullion.

Underside of shower floor shall be sound deadened with fire resistant material.

To specify fixture and accessories, use the Model Number and Options page.

Example: To specify a unitized 36" x 36" Front Access Cabinet Shower with left hand shower head/valving, back wall with polished front, single temp, pneumatic metering valve, standard pneumatic push button, 2.5 GPM flow rate, standard non-adjustable penal shower head, standard no-hub drain and surface mounted soap dish.

Use the following Willoughby Model Number:
US-3636-FA-L-A4-PML1-PPB-2.5GPM-NPS-NHD-SD

To specify Knockdown Cabinet Shower: Select the "KS" model number from the list on the Model Number and Options page.

visit our website at www.willoughby-ind.com
5105 West 78th Street • Indianapolis, IN. 46268
(317) 875-0830 • Fax: (317) 875-0837 • (800) 428-4065



MADE IN THE U.S.A.

MODEL NUMBER AND OPTIONS:

1.) Base Model Number:

- Unitized Front Access Cabinet Showers:**
- US-3030-FA 30"L x 30"W Cabinet Shower
 - US-3232-FA 32"L x 32"W Cabinet Shower
 - US-3636-FA 36"L x 36"W Cabinet Shower
- Knockdown Front Access Cabinet Showers:**
- KS-3030-FA 30"L x 30"W Cabinet Shower
 - KS-3232-FA 32"L x 32"W Cabinet Shower
 - KS-3636-FA 36"L x 36"W Cabinet Shower

2.) Shower Head/Push Button Orientation:

- L Left Hand
- R Right Hand

3.) Cabinet Side Exterior Finish Schedule:

(Based on Chase Wall Orientation; see the Options Pages at the end of Catalog Section for diagram)

For (BCS) Back Wall:

- A1 Polished Front, Left Side, & Right Side
- A2 Polished Front & Right Side
- A3 Polished Front & Left Side
- A4 Polished Front only

For (LCS) Left Wall:

- B1 Polished Front, Back Side, & Right Side
- B2 Polished Front & Right Side
- B3 Polished Front only

For (RCS) Right Wall:

- C1 Polished Front, Back Side, & Left Side
- C2 Polished Front & Left Side
- C3 Polished Front only

4.) Valve Selection:

- NV No Valve
- PML1 Single Temp. Pneumatic Metering
- PML2 Dual Temp. Pneumatic Metering
- E1L1 Single Temp. Electronic (Pick Control)*
- E1L2 Dual Temp. Electronic (Pick Control)*
- PBV Pressure-Balancing Mixing Valve
- TPV Temp/Pressure-Balancing Mixing Valve
- TPLR Ligature-resistant Temp/Pressure-Balancing Mixing Valve

Valve Manifold Option:

*Pneumatic or Electronic Valves Only:
(See the Manifold Option Page at the end of Catalog Section S5 for further information)*

- MA2

5.) Push Button Selection:

Pneumatic or Electronic Valves Only:

- PPB Pneumatic Push Buttons
- PBH Ligature-resistant Push Buttons
- EPB Electronic Push Buttons*
- EPBH Ligature-resistant Electronic Push Buttons*
- PZPB Piezo Push Buttons*

6.) Flow Rates:

- 2.5 GPM (Standard)
- 2.0 GPM
- 1.5 GPM

7.) Electronic Controls*

(Must Use Electronic Push Button):

- WUSC-2200 WUSC-2400
- Pneutronic WMS II

8.) Shower Head Selection:

- NPS Non-adjustable Penal Shower Head (Standard)
- APS Adjustable Penal Shower Head
- CSH Ligature-resistant Shower Head

9.) Drain Selection:

- NHD No-hub Cabinet Shower Drain (2") (Standard)
- ICD Inside Caulk Cabinet Shower Drain (2")

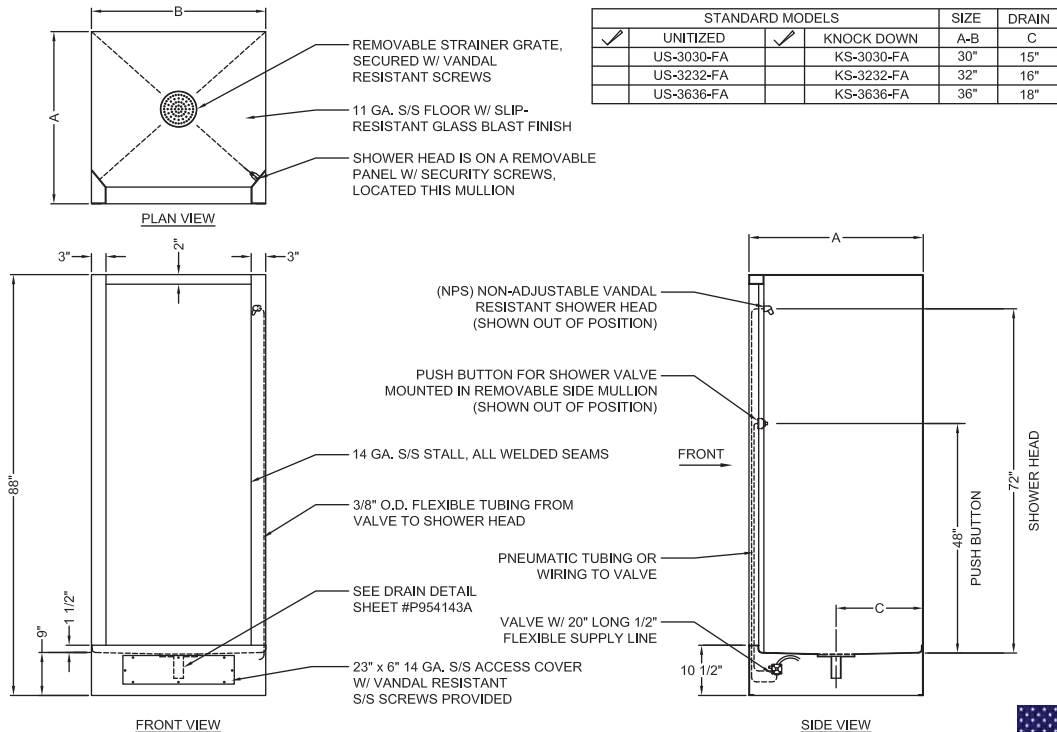
10.) Options:

- VG Ventilation Grille (Specify Free Area and Location; Standard Grille Dimensions: 8-3/4" x 8-3/4" with 15-3/4 in² open area)
- CP Closure Panels (Specify Dimensions and Locations)
- STC Sloping Top Closure
- MD Modesty Door (Not ADA-Compliant)
 - L Hinged Left
 - R Hinged Right
- CR Curtain Rod
- TH1 Release Towel Hook
- RD Recessed Mounted Soap Dish
- SD Surface Mounted Soap Dish
- ZC 'Z'-Clip Floor Mounting
- TMV In-line Thermostatic Mixing Valve
- TF24H Hard-wired Transformer, 110VAC to 24VAC*
- TF24P Plug-in Transformer, 110VAC to 24VAC*
- Other _____
- Other _____

*(Req. 110V power through ground fault interrupter (GFI) receptacle)

Approved For Manufacturing By: _____ Date: _____ Company: _____
Wall Thickness: _____ Wall Type: _____

VERIFY ALL DIMENSIONS WITH FACTORY PRIOR TO ROUGH-IN
WILLOUGHBY RESERVES THE RIGHT TO MAKE CHANGES IN DESIGN AND DIMENSIONS WITHOUT FORMAL NOTICE AND WITHOUT INCURRING OBLIGATION.



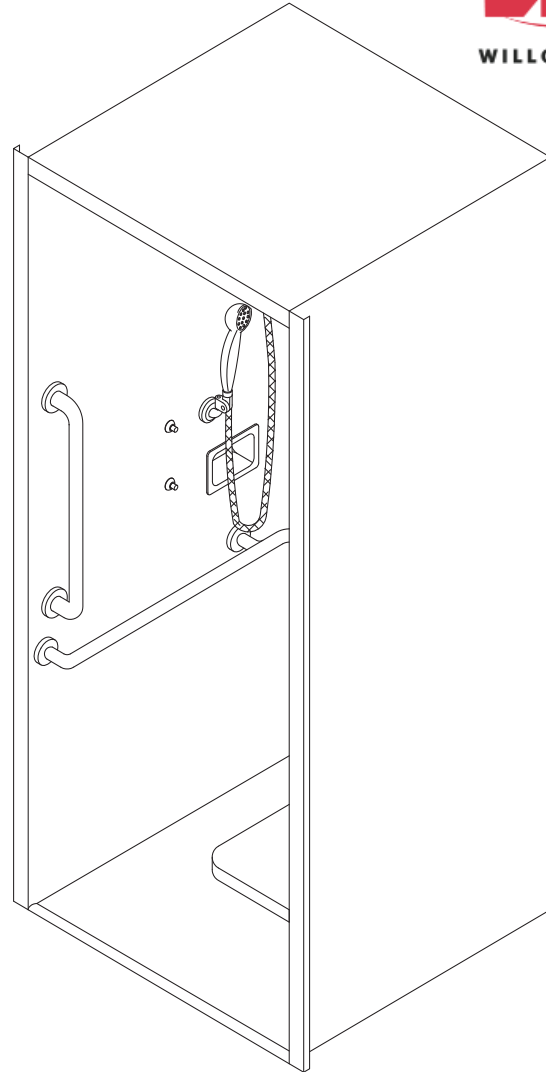
STANDARD MODELS		SIZE	DRAIN
UNITIZED	KNOCK DOWN	A-B	C
<input checked="" type="checkbox"/>	<input checked="" type="checkbox"/>	30"	15"
<input type="checkbox"/>	<input type="checkbox"/>	32"	16"
<input type="checkbox"/>	<input type="checkbox"/>	36"	18"

visit our website at www.willoughby-ind.com
5105 West 78th Street • Indianapolis, IN. 46268
(317) 875-0830 • Fax: (317) 875-0837 • (800) 428-4065



MADE IN THE U.S.A.

Handicap Cabinet Shower



Recommended Specifications

Handicap Cabinet Shower shall be:
Willoughby Model No. **___S- 3636-HC**
(Select from model number and options list on next page)

Shower cabinet shall be fabricated from 14 gauge, Type 304 stainless steel. Shower floor shall be fabricated from 11 gauge, Type 304 stainless steel. The construction shall be **all-welded** (unitized models only, not applicable to knockdown models), exposed stainless surfaces polished to a #4 satin finish, except shower floor which shall have a non-slip glass blast finish.

- Standard equipment shall include:
- (ICD) Inside caulk drain (2") with removable strainer
 - (GB3318) 18" x 33" Horizontally-mounted L-shaped grab bar
 - (GB24V) 24" Vertically-mounted grab bar
 - (FSS) Fold-up stainless steel shower seat

Underside of shower floor shall be sound deadened with fire resistant material.

Unit requires chase area for installation and maintenance.

Please provide shower finish schedule upon ordering.
(Unit may be shown with optional features)

To specify fixture and accessories, use the Model Number and Options page.

Example: To specify a unitized 36" x 36" Handicap Cabinet Shower with left hand chase /shower head/valving, polished front, single temp. pneumatic metering valves, standard pneumatic push buttons, 2.5 GPM flow rate, non-adjustable penel shower head and hand held Flexshower, standard inside caulk drain, and recessed mounted soap dish.

Use the following Willoughby Model Number:
US-3636-HC-L-B3-PML1-MA2-PPB-2.5GPM-NPS-FX-ICD-RD

Unit requires 2" recess in floor.

Fixture shall be free-standing, no anchoring required.

To specify Knockdown Cabinet Shower: Select the "KS" model number from the list on the Model Number and Options page.

MODEL NUMBER AND OPTIONS:

1.) Base Model Number:

- Unitized Handicap Cabinet Shower:**
 US-3636-HC 36"L x 36"W Cabinet Shower
Knockdown Handicap Cabinet Shower:
 KS-3636-HC 36"L x 36"W Cabinet Shower

2.) Chase Wall/ Shower Head/Valve Orientation:

- L Left Hand (LCS- Left Chase)
 R Right Hand (RCS- Right Chase)

3.) Cabinet Side Exterior Finish Schedule:

(Based on Chase Wall Orientation; see the Options Pages at the end of Catalog Section for diagram)

For (LCS) Left Chase:

- B2 Polished Front & Right Side
 B3 Polished Front only

For (RCS) Right Chase:

- C2 Polished Front & Left Side
 C3 Polished Front only

4.) Valve Selection:

- NV No Valve
 PML1 Single Temp. Pneumatic Metering
 PML2 Dual Temp. Pneumatic Metering
 E1L1 Single Temp. Electronic (Pick Control)*
 E1L2 Dual Temp. Electronic (Pick Control)*
 PBV Pressure-Balancing Mixing Valve
 TPV Temp/Pressure-Balancing Mixing Valve
 TPLR Ligature-resistant Temp/Pressure-Balancing Mixing Valve

Valve Manifold Option:

Pneumatic or Electronic Valves Only:

(See the Manifold Option Page at the end of Catalog Section S5 for further information)

- MA2

5.) Diverter Valve:

- DV Diverter Valve
 DVLR Ligature-resistant Diverter Valve
 PML1-MA2 Two Single Temp. Pneumatic Metering Valves in Lieu of Diverter Valve

6.) Push Button Selection:

Pneumatic or Electronic Valves Only:

- PPB Pneumatic Push Buttons
 PBH Ligature-resistant Push Buttons
 EPB Electronic Push Buttons*
 EPBH Ligature-resistant Electronic Push Buttons*
 PZPB Piezo Push Buttons*

7.) Flow Rates:

- 2.5 GPM (Standard)
 2.0 GPM
 1.5 GPM

8.) Electronic Controls*

(Must Use Electronic Push Button):

- WUSC-2200 WUSC-2400
 Pneutronic WMS II

9.) Shower Head Selection:

- NPS Non-adjustable Penal Shower Head
 FX Hand Held Flexshower w/ Quick Disconnect and Vacuum Breaker
 APS Adjustable Penal Shower Head
 CSH Ligature-resistant Shower Head
 2HD (2) Fixed Shower Heads, Replaces (FX)

10.) Drain Selection:

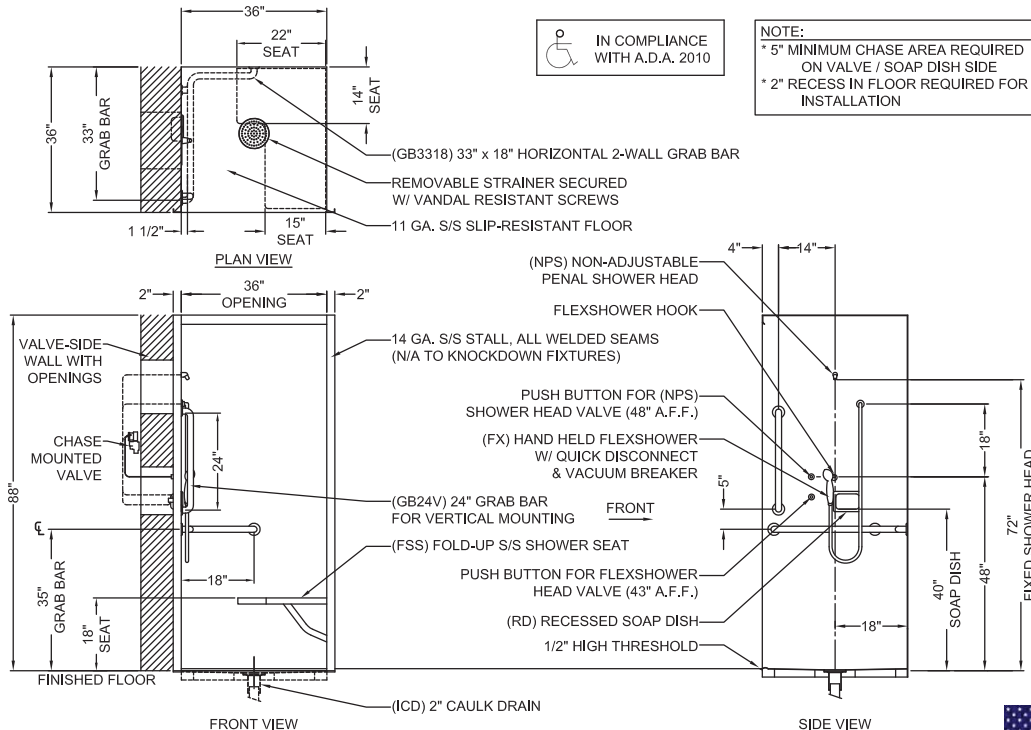
- ICD Inside Caulk Cabinet Shower Drain (2") (Standard)

10.) Options:

- VG Ventilation Grille (Specify Free Area and Location; Standard Grille Dimensions: 8-3/4" x 8-3/4" with 15-3/4 in² open area)
 CP Closure Panels (Specify Dimensions and Locations)
 STC Sloping Top Closure
 MD Modesty Door (Not ADA-Compliant)
 L Hinged Left
 R Hinged Right
 CR Curtain Rod
 TH1 Release Towel Hook
 GBC Grab Bar Closure Plate
 RD Recessed Mounted Soap Dish
 SD Surface Mounted Soap Dish
 TA Threshold Anchors
 TMV In-line Thermostatic Mixing Valve
 TF24H Hard-wired Transformer, 110VAC to 24VAC*
 TF24P Plug-in Transformer, 110VAC to 24VAC*
 LFSS Less Fold-up Stainless Steel Shower Seat (NOTE: FSS Fold-up Shower Seat is required for ADA Compliance)
 LGB3318 Less 18" x 33" Horizontally-mounted L-Shaped Grab Bar
 LGB24V Less 24" Vertically-mounted Grab Bar
 Other _____
 Other _____
 *(Req. 110V power through ground fault interrupter (GFCI) receptacle)

Approved For Manufacturing By: _____ Date: _____ Company: _____
 Wall Thickness: _____ Wall Type: _____

VERIFY ALL DIMENSIONS WITH FACTORY PRIOR TO ROUGH-IN
 WILLOUGHBY RESERVES THE RIGHT TO MAKE CHANGES IN DESIGN AND DIMENSIONS WITHOUT FORMAL NOTICE AND WITHOUT INCURRING OBLIGATION.

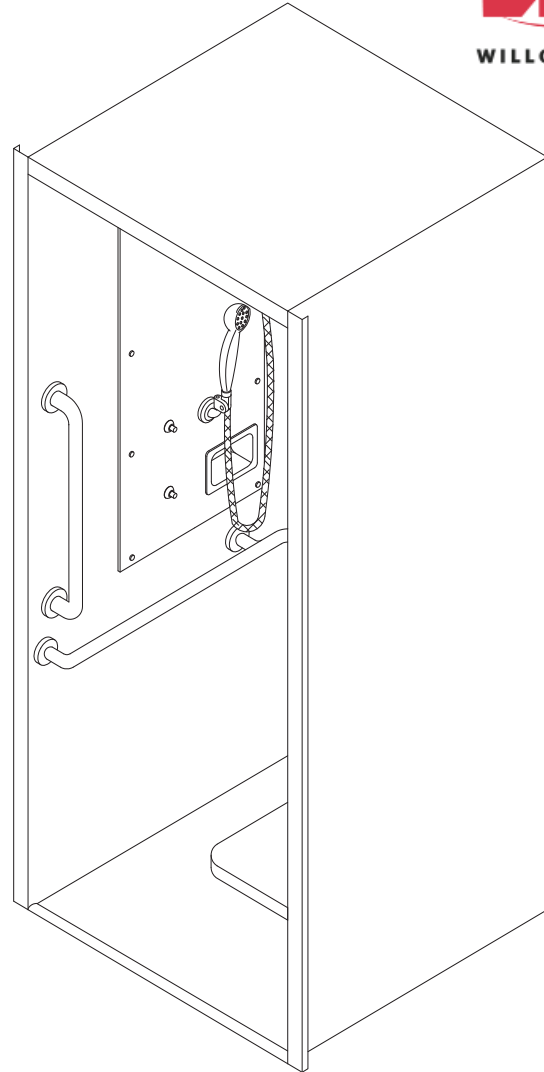


visit our website at www.willoughby-ind.com
 5105 West 78th Street • Indianapolis, IN. 46268
 (317) 875-0830 • Fax: (317) 875-0837 • (800) 428-4065



MADE IN THE U.S.A.

Front Access Handicap Cabinet Shower



Please provide shower finish schedule upon ordering.
(Unit may be shown with optional features)

Recommended Specifications

Front Access Handicap Cabinet Shower shall be:
Willoughby Model No. **S- 3636-HC-FA**
(Select from model number and options list on next page)

Shower cabinet shall be fabricated from 14 gauge, Type 304 stainless steel. Shower floor shall be fabricated from 11 gauge, Type 304 stainless steel. The construction shall be **all-welded** (unitized models only, not applicable to knockdown models), exposed stainless surfaces polished to a #4 satin finish, except shower floor which shall have a non-slip glass blast finish.

Standard equipment shall include:

- (ICD) Inside caulk drain (2") with removable strainer
- (GB3318) 18" x 33" Horizontally-mounted L-shaped grab bar
- (GB24V) 24" Vertically-mounted grab bar
- (FSS) Fold-up stainless steel shower seat

Unit requires no chase area for installation and maintenance. Shower valve and shower head shall be mounted on removable access panel secured with security screws.

Underside of shower floor shall be sound deadened with fire resistant material.

To specify fixture and accessories, use the Model Number and Options page.

Example: To specify a unitized 36" x 36" Front Access Handicap Cabinet Shower with left hand shower head/push button/valving, polished front, single temp. pneumatic metering valves, standard pneumatic push buttons, 2.5 GPM flow rate, non-adjustable penel shower head and hand held Flex-shower, standard inside caulk drain, and recessed mounted soap dish

Use the following Willoughby Model Number:

US-3636-HC-FA-L-B3-PML1-MA2-PPB-2.5GPM-NPS-FX-ICD-RD

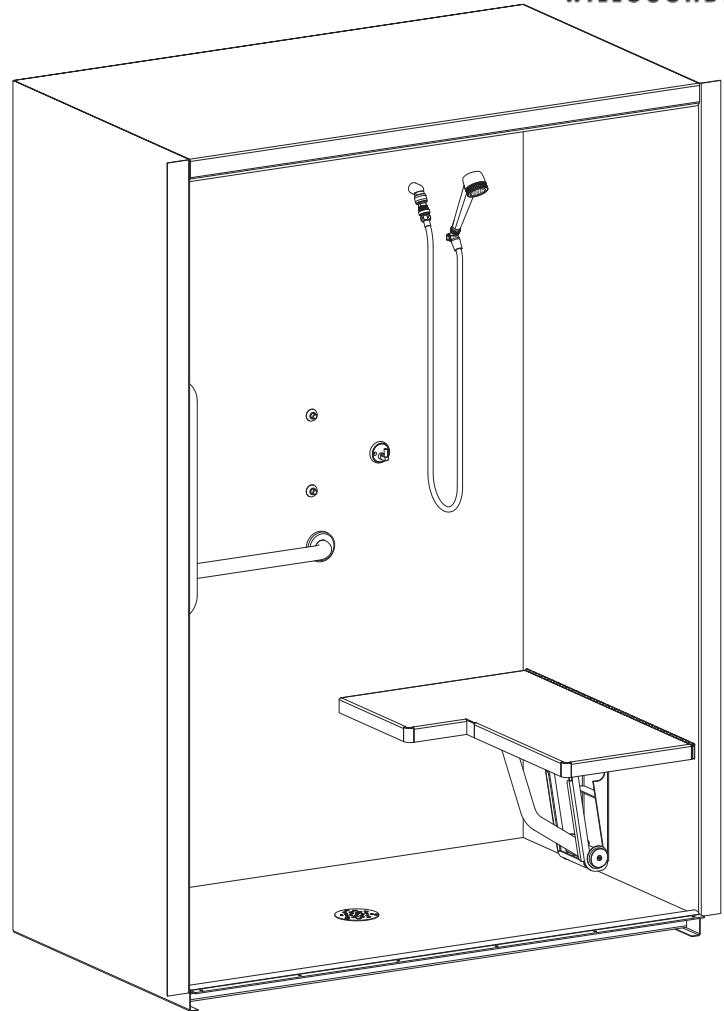
Unit requires 2" recess in floor.

Fixture shall be free-standing, no anchoring required.

To specify Knockdown Cabinet Shower: Select the "KS" model number from the list on the Model Number and Options page.



Roll-In Handicap Cabinet Shower



*Please provide shower finish schedule upon ordering.
(Unit may be shown with optional features)*

Recommended Specifications

Roll-In Handicap Cabinet Shower shall be:
Willoughby Model No. **___S-3660-HC**
(Select from model number and options list on next page)

Shower cabinet shall be fabricated from 14 gauge, Type 304 stainless steel. Shower floor shall be fabricated from 11 gauge, Type 304 stainless steel. The construction shall be **all-welded** (unitized models only, not applicable to knockdown models), exposed stainless surfaces polished to a #4 satin finish, except shower floor which shall have a non-slip glass blast finish.

Standard equipment shall include:

- (ICD) Inside caulk drain (2") with removable strainer
- (GB24) 24" Horizontally-mounted grab bar
- (GB30) 30" Horizontally-mounted grab bar
- (GB24V) 24" Vertically-mounted grab bar
- (FSS) Fold-up stainless steel shower seat

Unit requires chase area for installation and maintenance.

Underside of shower floor shall be sound deadened with fire resistant material.

Unit requires 2" recess in floor.

To specify fixture and accessories, use the Model Number and Options page.

Example: To specify a unitized 36" x 60" Roll-In Handicap Cabinet Shower with ADA-Compliant back wall chase/shower head/valving, polished front, single temp. pneumatic metering valves, standard pneumatic push buttons, 2.5 GPM flow rate, non-adjustable penal shower head and hand held Flex-shower, and standard inside caulk drain

Use the following Willoughby Model Number:

US-3660-HC-B-A4-PML1-MA2-PPB-2.5GPM-NPS-FX-ICD

Fixture shall be free-standing, no anchoring required.

To specify Knockdown Cabinet Shower: Select the "KS" model number from the list on the Model Number and Options page.

***NOTE:** US/KS-3660-HC is in compliance with ADA 2010 standards when equipped with valve controls mounted on the Back Wall of the fixture, adjacent to the Fold-up Shower Seat. (Specify when ordering, contact your Willoughby representative for further details.)

visit our website at www.willoughby-ind.com
5105 West 78th Street • Indianapolis, IN. 46268
(317) 875-0830 • Fax: (317) 875-0837 • (800) 428-4065



MADE IN THE U.S.A.

MODEL NUMBER AND OPTIONS:

1.) Base Model Number:

- Unitized Roll-in Handicap Cabinet Shower:**
- US-3660-HC 36"L x 60"W Cabinet Shower
- Knockdown Roll-in Handicap Cabinet Shower:**
- KS-3660-HC 36"L x 60"W Cabinet Shower

2.) Chase Wall/ Shower Head/Valve Orientation:

- B Back Wall, ADA Comp. (BCS Chase)
- L Left Hand (LCS- Left Chase)
- R Right Hand (RCS- Right Chase)

3.) Cabinet Side Exterior Finish Schedule:

(Based on Chase Wall Orientation; see the Options Pages at the end of Catalog Section for diagram)

For (BCS) Back Wall (ADA Comp.):

- A1 Polished Front, Left Side, & Right Side
- A2 Polished Front & Right Side
- A3 Polished Front & Left Side
- A4 Polished Front only

For (LCS) Left Chase:

- B2 Polished Front & Right Side
- B3 Polished Front only

For (RCS) Right Chase:

- C2 Polished Front & Left Side
- C3 Polished Front only

4.) Valve Selection:

- NV No Valve
- PML1 Single Temp. Pneumatic Metering
- PML2 Dual Temp. Pneumatic Metering
- E1L1 Single Temp. Electronic (Pick Control)**
- E1L2 Dual Temp. Electronic (Pick Control)**
- PBV Pressure-Balancing Mixing Valve
- TPV Temp/Pressure-Balancing Mixing Valve
- TPLR Ligature-resistant Temp/Pressure-Balancing Mixing Valve

Valve Manifold Option:

Pneumatic or Electronic Valves Only:
(See the Manifold Option Page at the end of Catalog Section S5 for further information)

- MA2

5.) Diverter Valve:

- DV Diverter Valve
- DVLR Ligature-resistant Diverter Valve
- PML1-MA2 Two Single Temp. Pneumatic Metering Valves in Lieu of Diverter Valve

6.) Push Button Selection:

Pneumatic or Electronic Valves Only:

- PPB Pneumatic Push Buttons
- PBH Ligature-resistant Push Buttons
- EPB Electronic Push Buttons**
- EPBH Ligature-resistant Electronic Push Buttons**
- PZPB Piezo Push Buttons**

7.) Flow Rates:

- 2.5 GPM (Standard)
- 2.0 GPM
- 1.5 GPM

8.) Electronic Controls**

(Must Use Electronic Push Button):

- WUSC-2200 WUSC-2400
- Pneutronic WMS II

9.) Shower Head Selection:

- NPS Non-adjustable Penal Shower Head (Stdnd.)
- FX Hand Held Flexshower w/ Quick Disconnect and Vacuum Breaker (Standard)
- APS Adjustable Penal Shower Head
- CSH Ligature-resistant Shower Head
- 2HD (2) Fixed Shower Heads, Replaces (FX)

10.) Drain Selection:

- ICD Inside Caulk Cabinet Shower Drain (2") (Standard)

11.) Options:

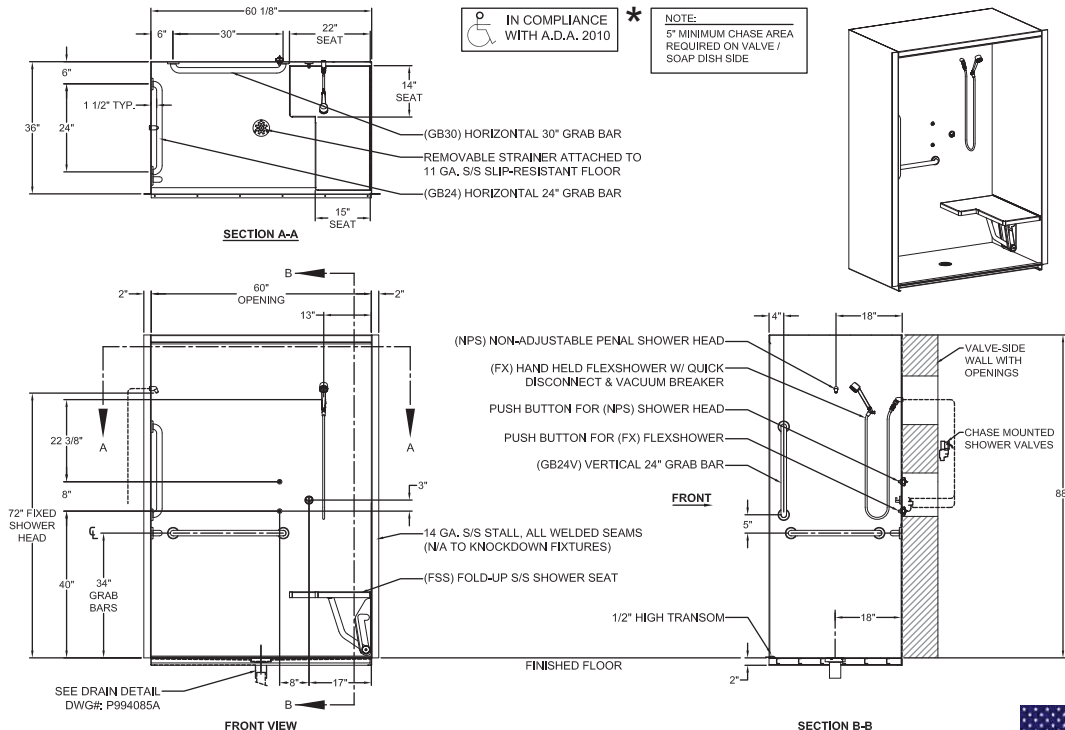
- VG Ventilation Grille (Specify Free Area and Location; Standard Grille Dimensions: 8-3/4" x 8-3/4" with 15-3/4 in² open area)
- CP Closure Panels (Specify Dimensions and Locations)
- STC Sloping Top Closure
- CR Curtain Rod
- TH1 Release Towel Hook
- GBC Grab Bar Closure Plates
- RD Recessed Mounted Soap Dish (Standard)
- SD Surface Mounted Soap Dish
- TA Threshold Anchors
- TMV In-line Thermostatic Mixing Valve
- TF24H Hard-wired Transformer, 110VAC to 24VAC**
- TF24P Plug-in Transformer, 110VAC to 24VAC**
- LFSS Less Fold-up Stainless Steel Shower Seat (NOTE: LFSS Option will require (1) centered 48" back-wall grab bar, and (2) centered 24" side-wall grab bars (included))
- Other _____
- Other _____
- ** (Req. 110V power through ground fault interrupter (GFCI) receptacle)

***NOTE:** US/KS-3660-HC is in compliance with ADA 2010 standards when equipped with valve controls mounted on the Back Wall of the fixture, adjacent to the Fold-up Shower Seat. (Specify when ordering, contact your Willoughby representative for further details.)

Approved For Manufacturing By: _____ Date: _____ Company: _____

Wall Thickness: _____ Wall Type: _____

VERIFY ALL DIMENSIONS WITH FACTORY PRIOR TO ROUGH-IN
WILLOUGHBY RESERVES THE RIGHT TO MAKE CHANGES IN DESIGN AND DIMENSIONS WITHOUT FORMAL NOTICE AND WITHOUT INCURRING OBLIGATION.



visit our website at www.willoughby-ind.com
5105 West 78th Street • Indianapolis, IN. 46268
(317) 875-0830 • Fax: (317) 875-0837 • (800) 428-4065



MADE IN THE U.S.A.

Roll-In Front Access Handicap Cabinet Shower



Recommended Specifications

Roll-In Front Access Handicap Cabinet Shower shall be:
Willoughby Model No. **___S-3660-HC-FA**
(Select from model number and options list on next page)

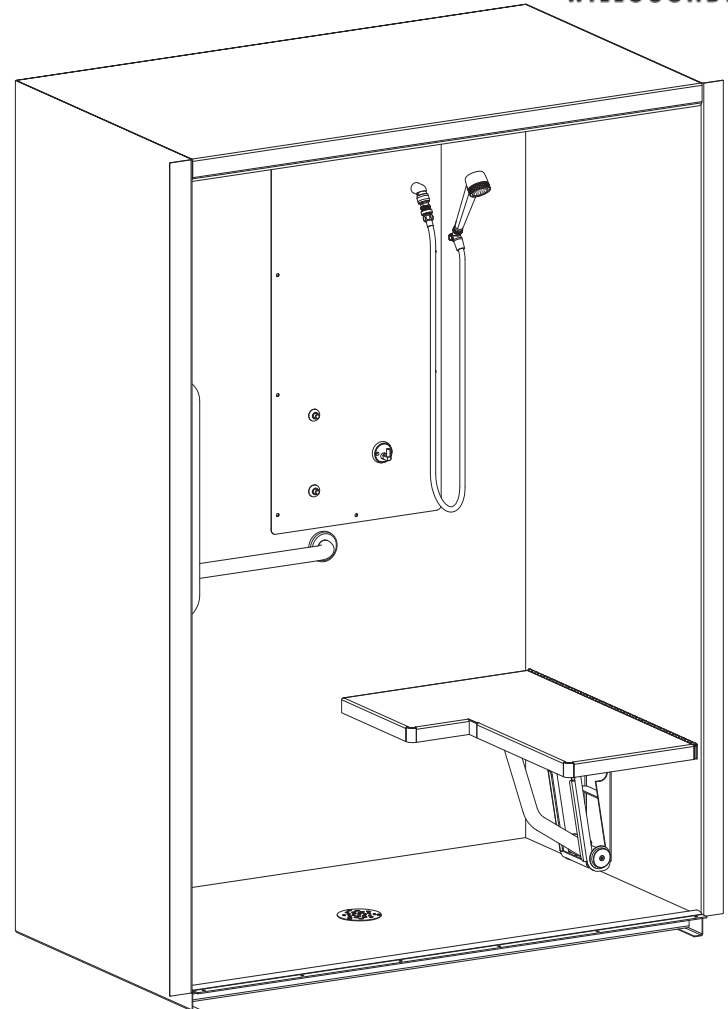
Shower cabinet shall be fabricated from 14 GA., Type 304 stainless steel. Shower floor shall be fabricated from 11 GA., Type 304 stainless steel. The construction shall be **all-welded** (unitized models only, not applicable to knock-down models), exposed stainless surfaces polished to a #4 satin finish, except shower floor which shall have a non-slip glass blast finish.

Standard equipment shall include:

- (ICD) Inside caulk drain (2") with removable strainer
- (GB24) 24" Horizontally-mounted grab bar
- (GB30) 30" Horizontally-mounted grab bar
- (GB24V) 24" Vertically-mounted grab bar
- (FSS) Fold-up stainless steel shower seat

Unit requires no chase area for installation and maintenance. Shower valve and shower head shall be mounted on removable access panel secured with security screws. Underside of shower floor shall be sound deadened with fire resistant material.

Unit requires 2" recess in floor.



*Please provide shower finish schedule upon ordering.
(Unit may be shown with optional features)*

To specify fixture and accessories, use the Model Number and Options page.

Example: To specify a unitized 36" x 60" Roll-In Front Access Handicap Cabinet Shower with ADA-Compliant back wall shower head/push button/valving, polished front, single temp. pneumatic metering valves, standard pneumatic push buttons, 2.5 GPM flow rate, non-adjustable penal shower head and hand held Flexshower, and standard inside caulk drain

Use the following Willoughby Model Number:

US-3660-HC-FA-B-A4-PML1-MA2-PPB-2.5GPM-NPS-FX-ICD

Fixture shall be free-standing, no anchoring required.

To specify Knockdown Cabinet Shower: Select the "KS" model number from the list on the Model Number and Options page.

***NOTE:** US/KS-3660-HC is in compliance with ADA 2010 standards when equipped with valve controls mounted on the Back Wall of the fixture, adjacent to the Fold-up Shower Seat. (Specify when ordering, contact your Willoughby representative for further details.)

visit our website at www.willoughby-ind.com
5105 West 78th Street • Indianapolis, IN. 46268
(317) 875-0830 • Fax: (317) 875-0837 • (800) 428-4065



MADE IN THE U.S.A.

MODEL NUMBER AND OPTIONS:

1.) Base Model Number:

Unitized Roll-in Handicap Front Access Cabinet Shower:

US-3660-HC-FA 36"L x 60"W Cabinet Shower

Knockdown Roll-in Handicap Front Access Cabinet Shower:

KS-3660-HC-FA 36"L x 60"W Cabinet Shower

2.) Shower Head/Push Button/Valve Orientation:

- B Back Wall, ADA Compliant
 L Left Hand
 R Right Hand

3.) Cabinet Side Exterior Finish Schedule:

(Based on Chase Wall Orientation; see the Options Pages at the end of Catalog Section for diagram)

For (B) Back Wall (ADA Comp.):

- A1 Polished Front, Left Side, & Right Side
 A2 Polished Front & Right Side
 A3 Polished Front & Left Side
 A4 Polished Front only

For (L) Left Wall:

- B2 Polished Front & Right Side
 B3 Polished Front only

For (R) Right Wall:

- C2 Polished Front & Left Side
 C3 Polished Front only

4.) Valve Selection:

- NV No Valve
 PML1 Single Temp. Pneumatic Metering
 PML2 Dual Temp. Pneumatic Metering
 E1L1 Single Temp. Electronic (Pick Control)*
 E1L2 Dual Temp. Electronic (Pick Control)*
 PBV Pressure-Balancing Mixing Valve
 TPV Temp/Pressure-Balancing Mixing Valve
 TPLR Ligature-resistant Temp/Pressure-Balancing Mixing Valve

Valve Manifold Option:

*Pneumatic or Electronic Valves Only:
 (See the Manifold Option Page at the end of Catalog Section S5 for further information)*

MA2

5.) Diverter Valve:

- DV Diverter Valve
 DVLR Ligature-resistant Diverter Valve
 PML1-MA2 Two Single Temp. Pneumatic Metering Valves in Lieu of Diverter Valve

6.) Push Button Selection:

Pneumatic or Electronic Valves Only:

- PPB Pneumatic Push Buttons
 PBH Ligature-resistant Push Buttons
 EPB Electronic Push Buttons*
 EPBH Ligature-resistant Electronic Push Buttons*
 PZPB Piezo Push Buttons*

7.) Flow Rates:

- 2.5 GPM (Standard)
 2.0 GPM
 1.5 GPM

8.) Electronic Controls*

(Must Use Electronic Push Button):

- WUSC-2200 WUSC-2400
 Pneutronic WMS II

9.) Shower Head Selection:

- NPS Non-adjustable Penal Shower Head (Strnd.)
 FX Hand Held Flexshower w/ Quick Disconnect and Vacuum Breaker (Standard)
 APS Adjustable Penal Shower Head
 CSH Ligature-resistant Shower Head
 2HD (2) Fixed Shower Heads, Replaces (FX)

10.) Drain Selection:

- ICD Inside Caulk Cabinet Shower Drain (2") (Standard)

11.) Options:

- VG Ventilation Grille (Specify Free Area and Location; Standard Grille Dimensions: 8-3/4" x 8-3/4" with 15-3/4 in² open area)
 CP Closure Panels (Specify Dimensions and Locations)
 STC Sloping Top Closure
 CR Curtain Rod
 TH1 Release Towel Hook
 GBC Grab Bar Closure Plates
 RD Recessed Mounted Soap Dish (Standard)
 SD Surface Mounted Soap Dish
 TA Threshold Anchors
 TMV In-line Thermostatic Mixing Valve
 TF24H Hard-wired Transformer, 110VAC to 24VAC*
 TF24P Plug-in Transformer, 110VAC to 24VAC*
 LFSS Less Fold-up Stainless Steel Shower Seat (NOTE: LFSS Option will require (1) centered 48" back-wall grab bar, and (2) centered 24" side-wall grab bars (included))

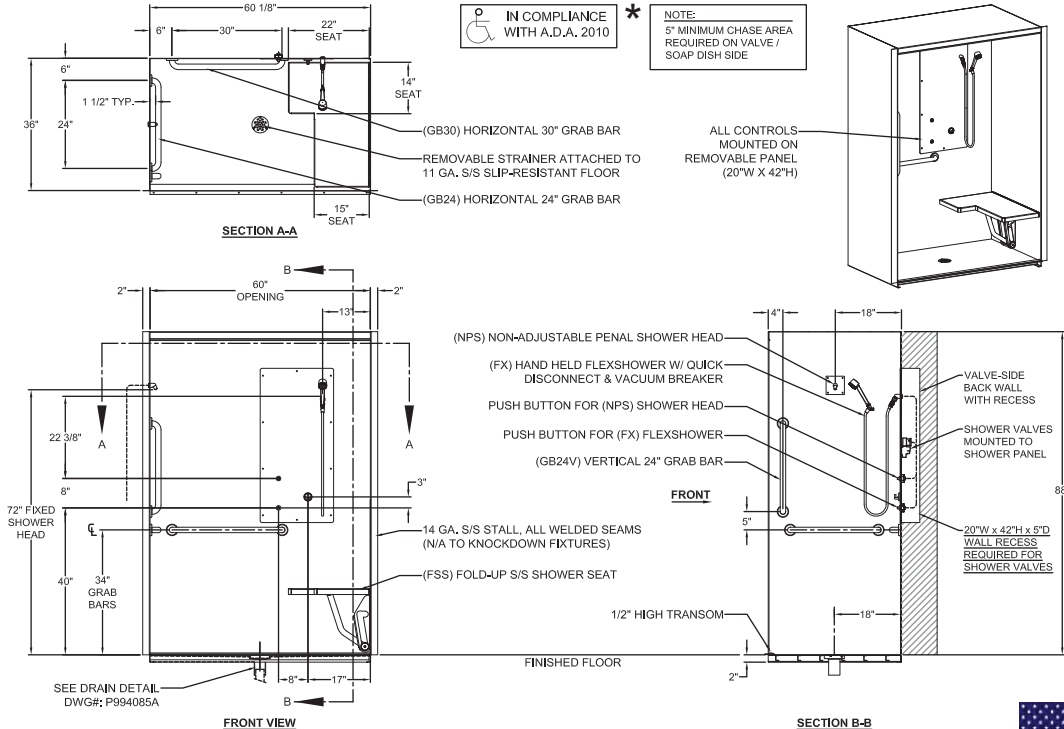
- Other _____
 Other _____

*(Req. 110V power through ground fault interrupter (GFCI) receptacle)

***NOTE:** US/KS-3660-HC is in compliance with ADA 2010 standards when equipped with valve controls mounted on the Back Wall of the fixture, adjacent to the Fold-up Shower Seat. (Specify when ordering, contact your Willoughby representative for further details.)

Approved For Manufacturing By: _____ Date: _____ Company: _____
 Wall Thickness: _____ Wall Type: _____

VERIFY ALL DIMENSIONS WITH FACTORY PRIOR TO ROUGH-IN
 WILLOUGHBY RESERVES THE RIGHT TO MAKE CHANGES IN DESIGN AND DIMENSIONS WITHOUT FORMAL NOTICE AND WITHOUT INCURRING OBLIGATION.



visit our website at www.willoughby-ind.com

5105 West 78th Street • Indianapolis, IN. 46268

(317) 875-0830 • Fax: (317) 875-0837 • (800) 428-4065



MADE IN THE U.S.A.

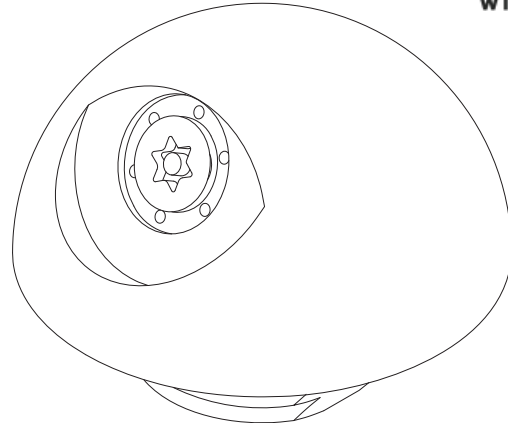


visit our website at www.willoughby-ind.com
5105 West 78th Street • Indianapolis, IN. 46268
(317) 875-0830 • Fax: (317) 875-0837 • (800) 428-4065



MADE IN THE U.S.A.

CSH Ligature-resistant Vandal Resistant Shower Head (#380069A)



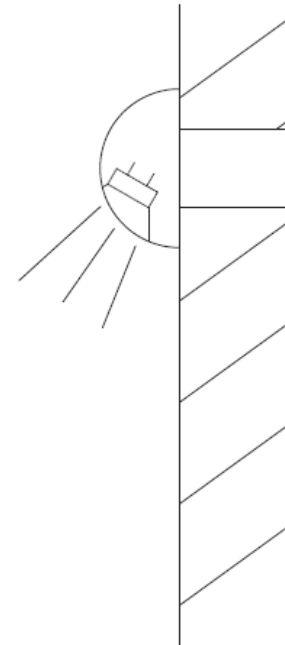
(Unit may be shown with optional features)

Recommended Specifications

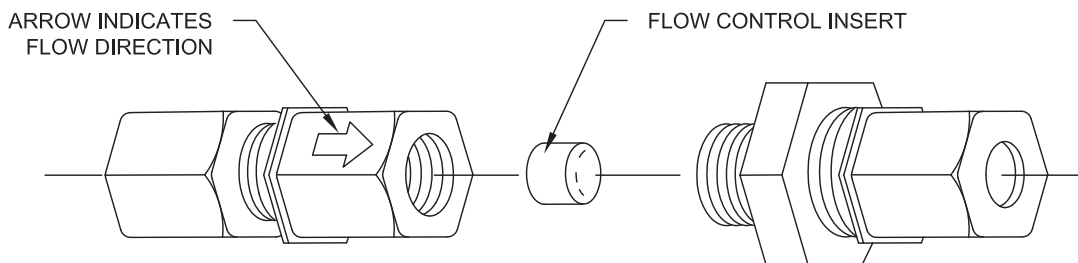
Willoughby model CSH ligature-resistant, vandal resistant shower head shall be fixed type, constructed of Type 303 stainless steel, mounted from the rear with no visible fasteners, and shall have a 30° angle of spray through a Delrin insert, retained by a stainless steel Pin-Torx security screw. The head shall have 3/8" F.I.P. threads on the inlet. The entire unit has a ligature-resistant rounded and tapered design.

OPTIONS:

- CSH17 17° angle of spray (#380024)
- 2.5 2.5 Flow (Standard)
- 2.0 2.0 In-line Flow Control
(See detail below; tubing must be 3/8" O.D. polyethylene)
- 1.5 1.5 In-line Flow Control
(See detail below; tubing must be 3/8" O.D. polyethylene)



PART #380142-B IN-LINE FLOW CONTROL ASSEMBLY

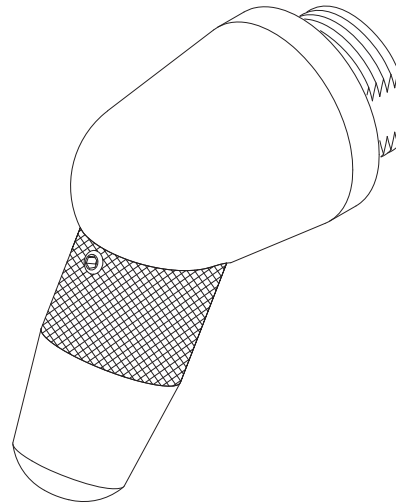


visit our website at www.willoughby-ind.com
5105 West 78th Street • Indianapolis, IN. 46268
(317) 875-0830 • Fax: (317) 875-0837 • (800) 428-4065



MADE IN THE U.S.A.

APS (WSH-5D) User Adjustable Vandal Resistant Shower Head (#380025)



(Unit may be shown with optional features)

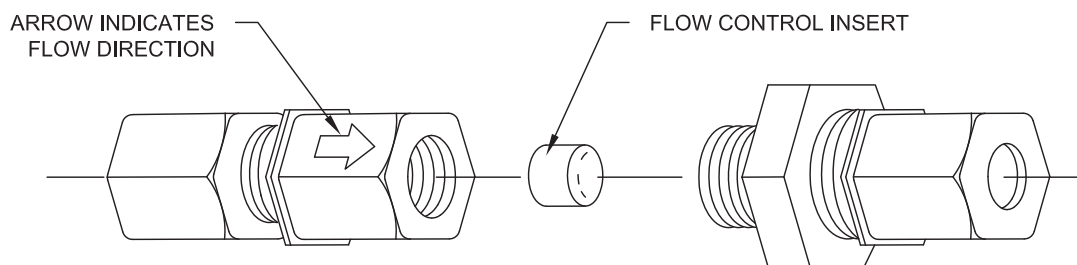
Recommended Specifications

Willoughby model APS (WSH-5D) user adjustable, vandal resistant shower head shall be fixed type, constructed of Type 303 stainless steel, mounted from the rear with no visible fasteners or removable parts, and shall have a 30° angle of spray. The head shall have 3/8" F.I.P. threads on the inlet. The entire unit has a ligature-resistant rounded and tapered design. Spray pattern is adjustable by the user.

OPTIONS:

- APS17 17° angle of spray (#380026)
- 2.5 2.5 Flow (Standard)
- 2.0 2.0 In-line Flow Control
(See detail below; tubing must be 3/8" O.D. polyethylene)
- 1.5 1.5 In-line Flow Control
(See detail below; tubing must be 3/8" O.D. polyethylene)

PART #380142-B IN-LINE FLOW CONTROL ASSEMBLY

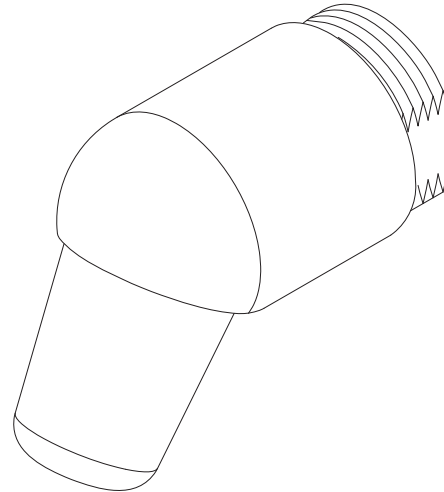


visit our website at www.willoughby-ind.com
5105 West 78th Street • Indianapolis, IN. 46268
(317) 875-0830 • Fax: (317) 875-0837 • (800) 428-4065



MADE IN THE U.S.A.

NPS (WSH-7) Non-Adjustable Vandal Resistant Shower Head (#370098)



(Unit may be shown with optional features)

Recommended Specifications

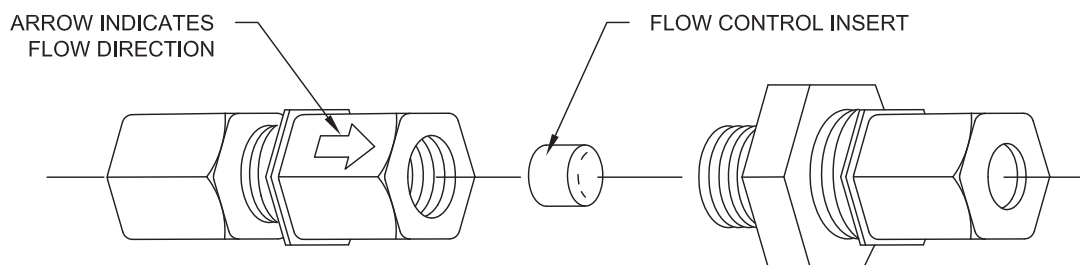
Willoughby model NPS (WSH-7) non-adjustable, vandal resistant shower head shall be fixed type, constructed of Type 303 stainless steel, mounted from the rear with no visible fasteners or removable parts, and shall have a fixed 30° angle of spray with an adjustable pattern. The head shall have 3/8" F.I.P. threads on the inlet.

The shower head is non-adjustable from the user side. To adjust shower nozzle spray pattern, insert a 1/8" Allen wrench through the nozzle orifice when shower is not in use, and turn counterclockwise to widen spray pattern or clockwise to narrow the spray pattern.

OPTIONS:

- NPS17 17° angle of spray (#380011)
- 2.5 2.5 Flow (Standard)
- 2.0 2.0 In-line Flow Control
(See detail below; tubing must be 3/8" O.D. polyethylene)
- 1.5 1.5 In-line Flow Control
(See detail below; tubing must be 3/8" O.D. polyethylene)

PART #380142-B IN-LINE FLOW CONTROL ASSEMBLY

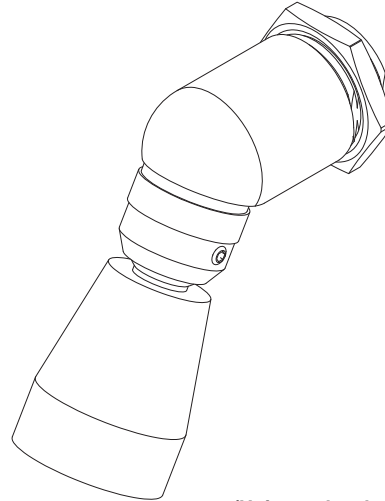


visit our website at www.willoughby-ind.com
5105 West 78th Street • Indianapolis, IN. 46268
(317) 875-0830 • Fax: (317) 875-0837 • (800) 428-4065



MADE IN THE U.S.A.

LBJ Lockable Ball Joint Shower Head (#380028)



(Unit may be shown with optional features)

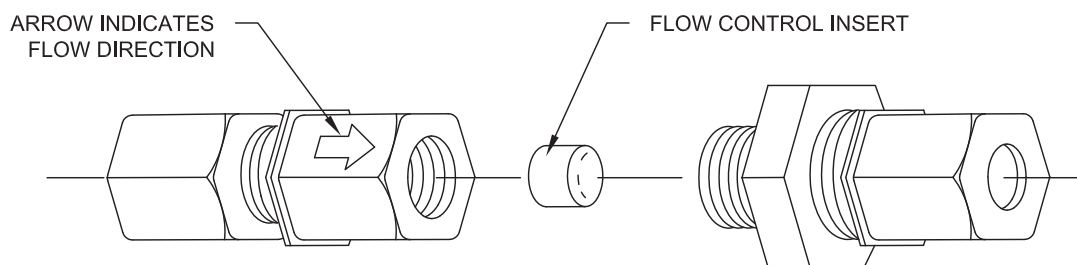
Recommended Specifications

Willoughby model LBJ lockable ball joint shower head shall be fixed type, constructed of chrome-plated brass, mounted from the rear with no visible fasteners or removable parts. The head shall have 3/8" F.I.P. threads on the inlet. The shower head spray direction can be locked in position using the recessed set screw.

OPTIONS:

- 2.5 2.5 Flow (Standard)
- 2.0 2.0 In-line Flow Control
(See detail below; tubing must be 3/8" O.D. polyethylene)
- 1.5 1.5 In-line Flow Control
(See detail below; tubing must be 3/8" O.D. polyethylene)

PART #380142-B IN-LINE FLOW CONTROL ASSEMBLY

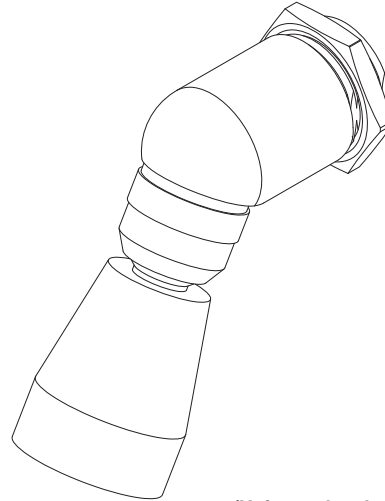


visit our website at www.willoughby-ind.com
5105 West 78th Street • Indianapolis, IN. 46268
(317) 875-0830 • Fax: (317) 875-0837 • (800) 428-4065



MADE IN THE U.S.A.

UBJ Universal Ball Joint Shower Head (#380027)



(Unit may be shown with optional features)

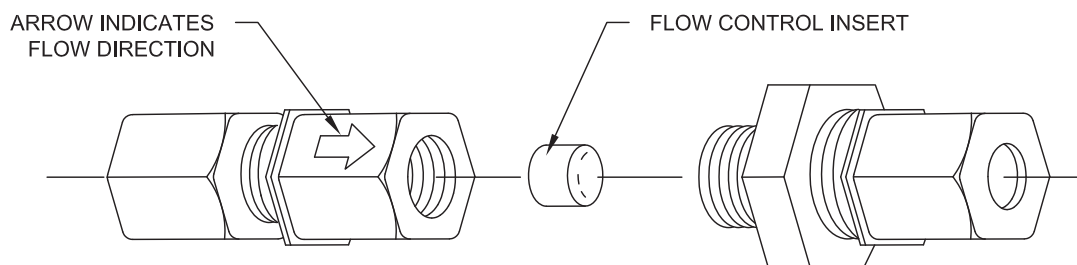
Recommended Specifications

Willoughby model UBJ universal ball joint shower head shall be fixed type, constructed of chrome-plated brass, mounted from the rear with no visible fasteners or removable parts. The head shall have 3/8" F.I.P. threads on the inlet. The shower head spray direction is user adjustable.

OPTIONS:

- 2.5 2.5 Flow (Standard)
- 2.0 2.0 In-line Flow Control
(See detail below; tubing must be 3/8" O.D. polyethylene)
- 1.5 1.5 In-line Flow Control
(See detail below; tubing must be 3/8" O.D. polyethylene)

PART #380142-B IN-LINE FLOW CONTROL ASSEMBLY

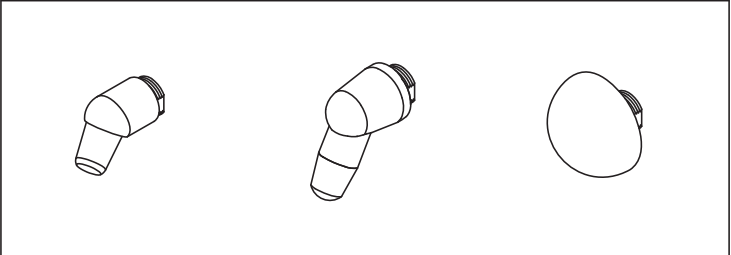
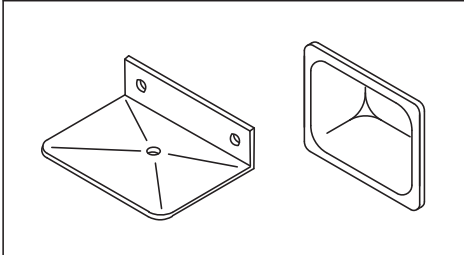
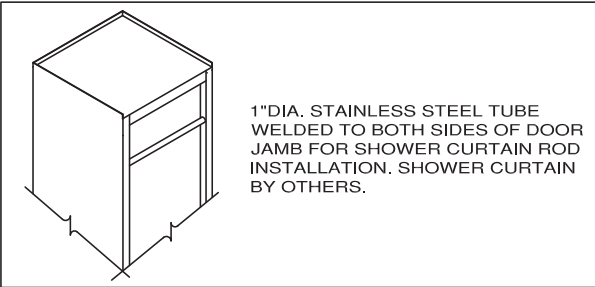
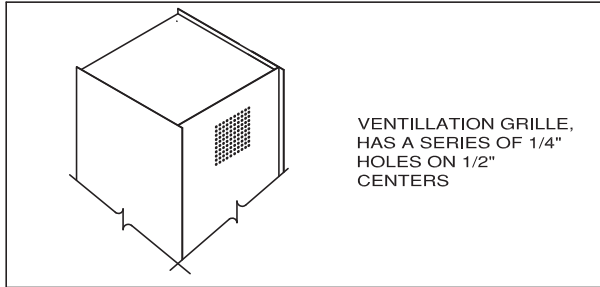
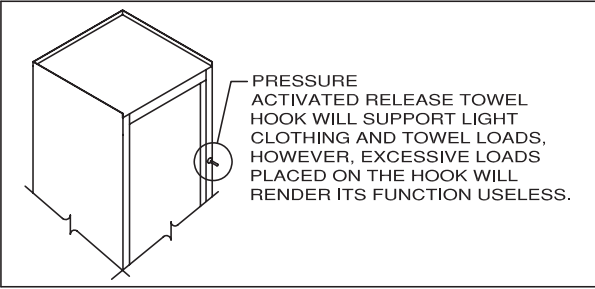
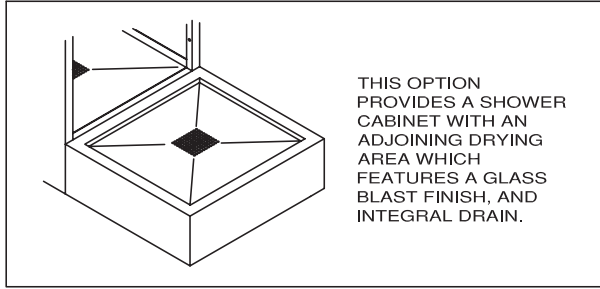
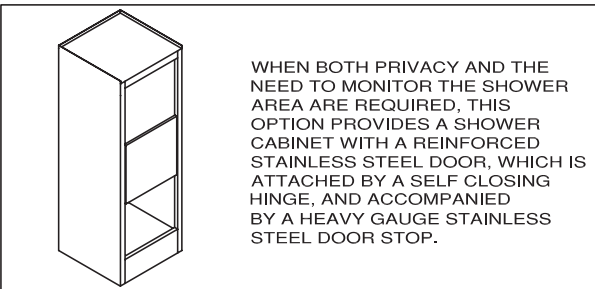
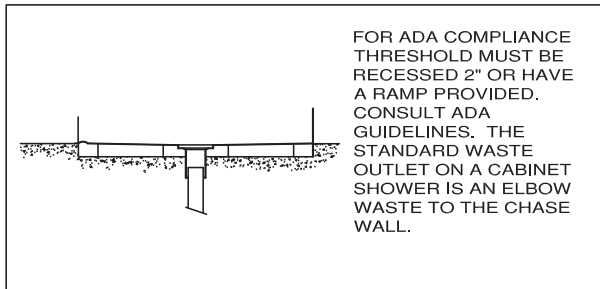


visit our website at www.willoughby-ind.com
5105 West 78th Street • Indianapolis, IN. 46268
(317) 875-0830 • Fax: (317) 875-0837 • (800) 428-4065



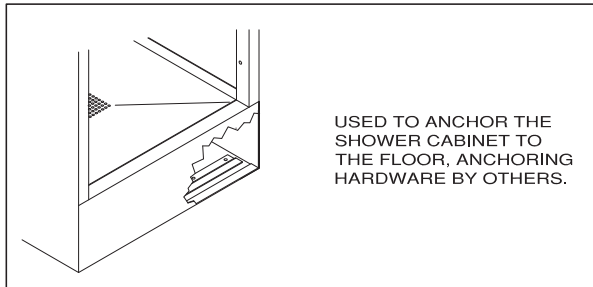
MADE IN THE U.S.A.

OPTIONS

				
(NPS) NON-ADJUSTABLE PENAL SHOWER HEAD	(APS) ADJUSTABLE PENAL SHOWER HEAD	(CSH) LIGATURE-RESISTANT SHOWER HEAD	(SD) SURFACE MOUNTED SOAP DISH	(RD) RECESSED MOUNTED SOAP DISH
 <p>1" DIA. STAINLESS STEEL TUBE WELDED TO BOTH SIDES OF DOOR JAMB FOR SHOWER CURTAIN ROD INSTALLATION. SHOWER CURTAIN ROD BY OTHERS.</p>		 <p>VENTILATION GRILLE, HAS A SERIES OF 1/4" HOLES ON 1/2" CENTERS</p>		
(CR) CURTAIN ROD		(VG) VENTILATION GRILLE (SPECIFY FREE AREA AND LOCATION)		
 <p>PRESSURE ACTIVATED RELEASE TOWEL HOOK WILL SUPPORT LIGHT CLOTHING AND TOWEL LOADS, HOWEVER, EXCESSIVE LOADS PLACED ON THE HOOK WILL RENDER ITS FUNCTION USELESS.</p>		 <p>THIS OPTION PROVIDES A SHOWER CABINET WITH AN ADJOINING DRYING AREA WHICH FEATURES A GLASS BLAST FINISH, AND INTEGRAL DRAIN.</p>		
(TH1) TOWEL HOOK		(DR) DRYING RECEPTOR		
 <p>WHEN BOTH PRIVACY AND THE NEED TO MONITOR THE SHOWER AREA ARE REQUIRED, THIS OPTION PROVIDES A SHOWER CABINET WITH A REINFORCED STAINLESS STEEL DOOR, WHICH IS ATTACHED BY A SELF CLOSING HINGE, AND ACCOMPANIED BY A HEAVY GAUGE STAINLESS STEEL DOOR STOP.</p>		 <p>FOR ADA COMPLIANCE THRESHOLD MUST BE RECESSED 2" OR HAVE A RAMP PROVIDED. CONSULT ADA GUIDELINES. THE STANDARD WASTE OUTLET ON A CABINET SHOWER IS AN ELBOW WASTE TO THE CHASE WALL.</p>		
(MD) MODESTY DOOR (NOT ADA COMPLIANT)		(ICD) INSIDE CAULK DRAIN (STANDARD ON ADA CABINET SHOWERS)		



OPTIONS (CONTINUED)



USED TO ANCHOR THE SHOWER CABINET TO THE FLOOR, ANCHORING HARDWARE BY OTHERS.

(ZC) Z-CLIP FOR FLOOR MOUNTING



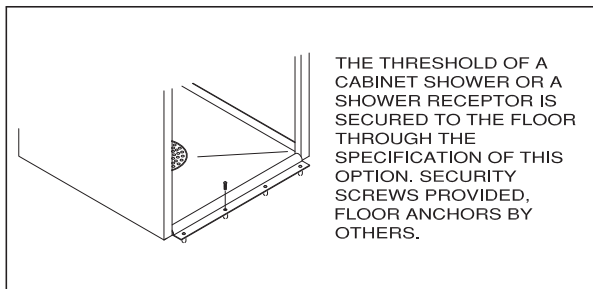
72" A.F.F.

(2) FIXED SHOWERHEADS IN LIEU OF FLEXSHOWER. MOUNT HANDICAP FIXED SHOWERHEAD AT 48" A.F.F.



48" A.F.F.

(2HD) TWO FIXED SHOWER HEADS



THE THRESHOLD OF A CABINET SHOWER OR A SHOWER RECEPTOR IS SECURED TO THE FLOOR THROUGH THE SPECIFICATION OF THIS OPTION. SECURITY SCREWS PROVIDED, FLOOR ANCHORS BY OTHERS.

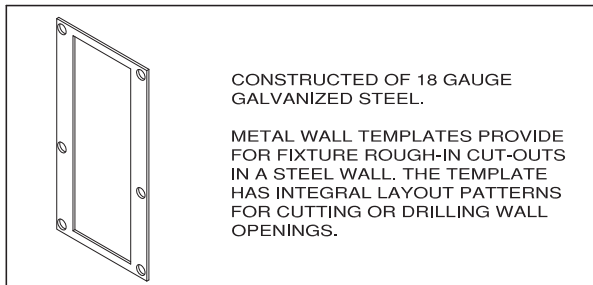
(TA) THRESHOLD ANCHORS



CONSTRUCTED OF 20 GAUGE GALVANIZED STEEL.

WALL SLEEVES PROVIDE FOR FIXTURE PLUMBING ROUGH-IN OPENINGS IN BLOCK AND POURED CONCRETE WALLS. THE SLEEVE BECOMES A PERMANENT PART OF THE WALL AND 1/2" DIAMETER STEEL ROD(S) WELDED TO THE FRAME. THE STEEL RODS PROVIDE RIGIDITY AND HELP TO PREVENT ESCAPE INTO THE CHASE SHOULD THE FIXTURE BE REMOVED.

(WS) WALL SLEEVE



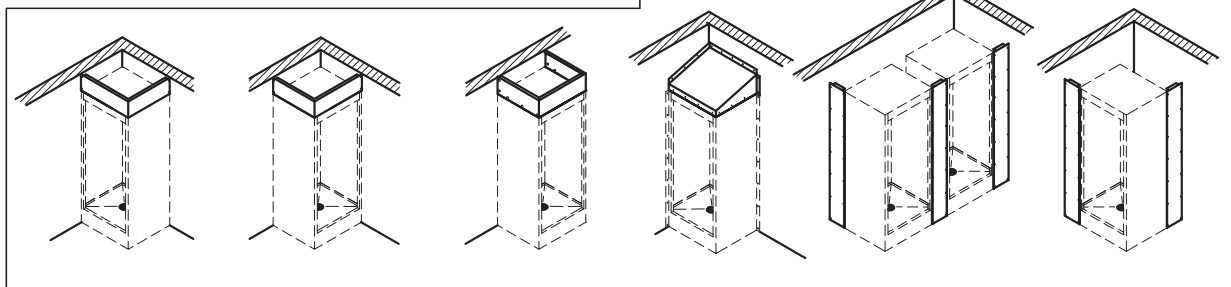
CONSTRUCTED OF 18 GAUGE GALVANIZED STEEL.

METAL WALL TEMPLATES PROVIDE FOR FIXTURE ROUGH-IN CUT-OUTS IN A STEEL WALL. THE TEMPLATE HAS INTEGRAL LAYOUT PATTERNS FOR CUTTING OR DRILLING WALL OPENINGS.

(MT) METAL TEMPLATE

CLOSURE PANELS PROVIDED FOR SEALING OFF AREAS WHERE ACCESS IS NOT INTENDED. CLOSURE PANELS ARE FABRICATED FROM 14 GAUGE TYPE 304 STAINLESS STEEL WITH EXPOSED SURFACES POLISHED TO A #4 SATIN FINISH.

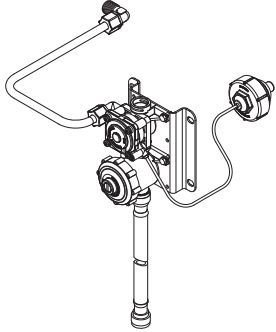
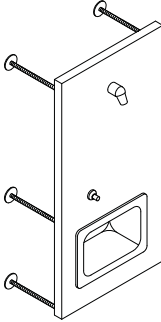
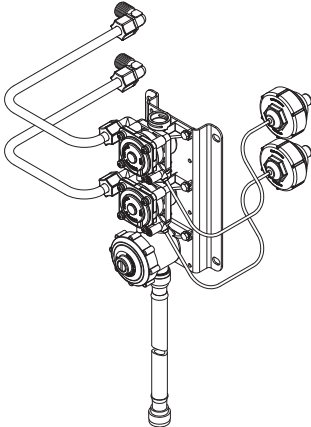
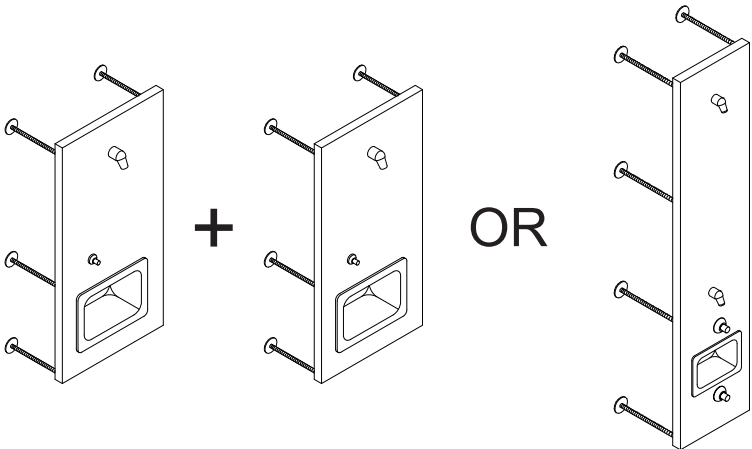
PANELS ARE PROVIDED WITH PUNCH HOLES, WHICH CAN BE USED AS A TEMPLATE FOR MARKING HOLES IN THE CABINET AND WALL. STAINLESS STEEL VANDAL RESISTANT SCREWS ARE PROVIDED FOR SECURING THE PANEL TO THE SHOWER OR ANGLE BRACKETS. WALL ANCHORING HARDWARE IS SUPPLIED BY OTHERS.



(CP) CLOSURE PANELS

OPTIONS (CONTINUED)

SHOWER VALVE MANIFOLDING OPTION

 <p>SINGLE VALVE -NO SUFFIX (1 FIXTURE)</p>	<p>Used for (1) Single shower head fixture:</p> 
 <p>DUAL MANIFOLD VALVE -(MA2) (2 FIXTURES)</p>	<p>Used for (2) Single shower head fixtures (Single Temp.) OR (1) Dual shower head fixture (Single Temp.):</p> 

Valve Manifolding

"MANIFOLDING"
Willoughby suffix (MA2) allows for the operation of two shower valve assemblies, either (2) single shower head fixtures or (1) two shower head fixture from a common pair of Hot/Cold supply lines.

Primary Advantages

- Reduces installation costs, labor, and materials
- Easier access for maintenance
- Adds flexibility and simplicity to your shower design needs

To specify: add suffix (MA2) to the selected valve model number. If manifolding (2) single shower head fixtures, be sure to specify this to your sales representative when placing your order.

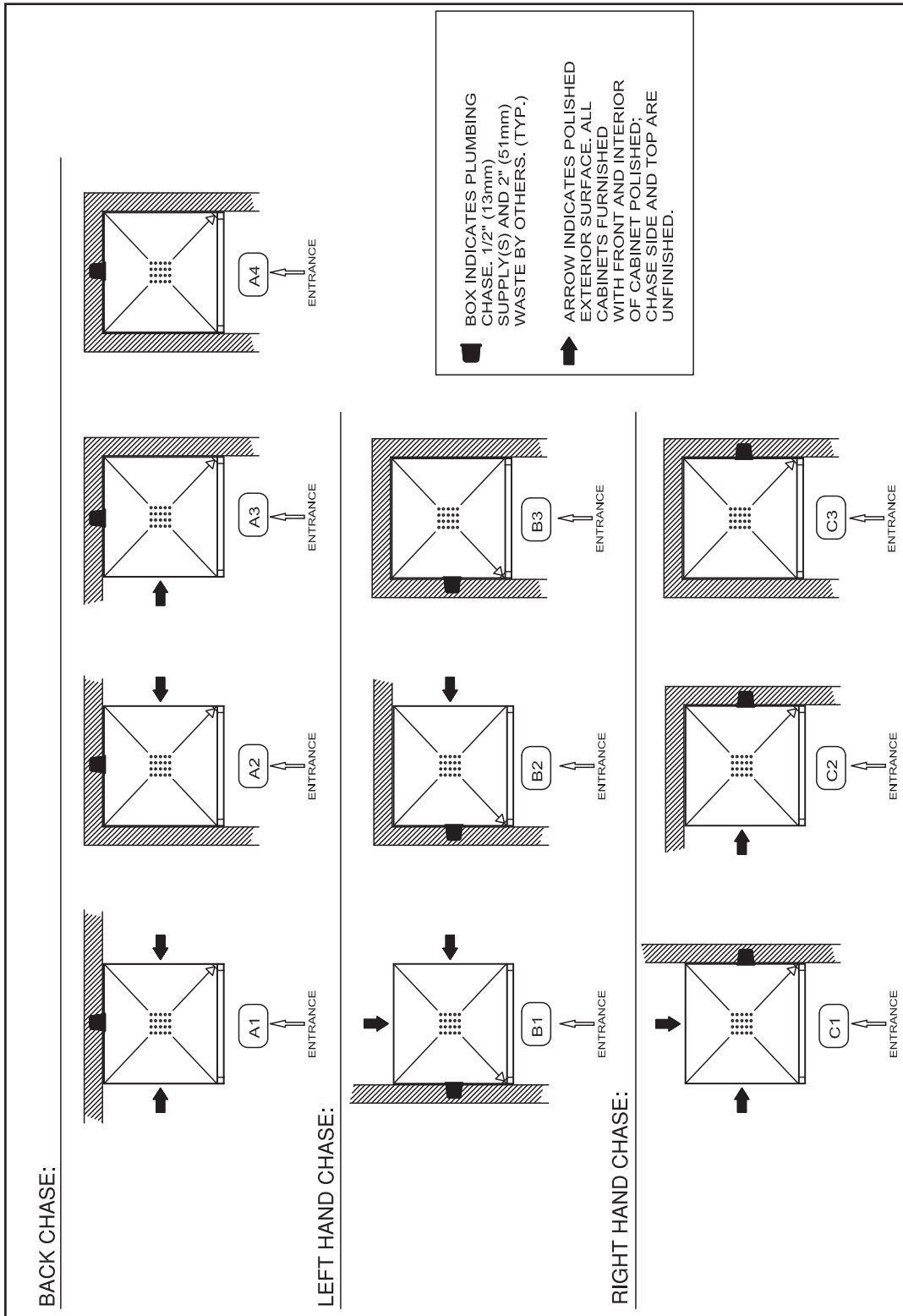
visit our website at www.willoughby-ind.com
 5105 West 78th Street • Indianapolis, IN. 46268
 (317) 875-0830 • Fax: (317) 875-0837 • (800) 428-4065



MADE IN THE U.S.A.

OPTIONS (CONTINUED)

CABINET SHOWER FINISH SCHEDULE- NON-ADA MODELS



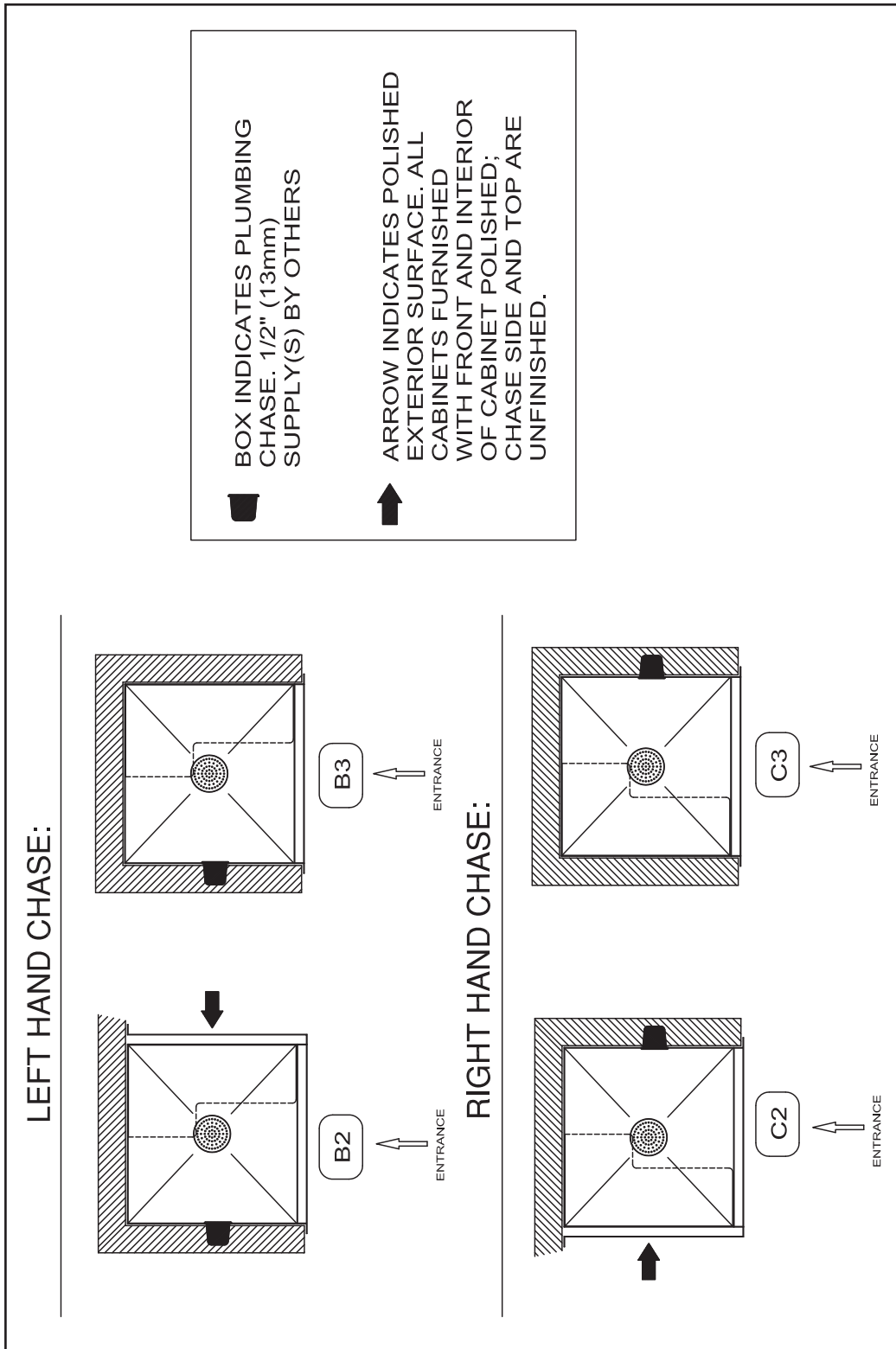
visit our website at www.willoughby-ind.com
 5105 West 78th Street • Indianapolis, IN. 46268
 (317) 875-0830 • Fax: (317) 875-0837 • (800) 428-4065



MADE IN THE U.S.A.

OPTIONS (CONTINUED)

CABINET SHOWER FINISH SCHEDULE- ADA-COMPLIANT MODELS



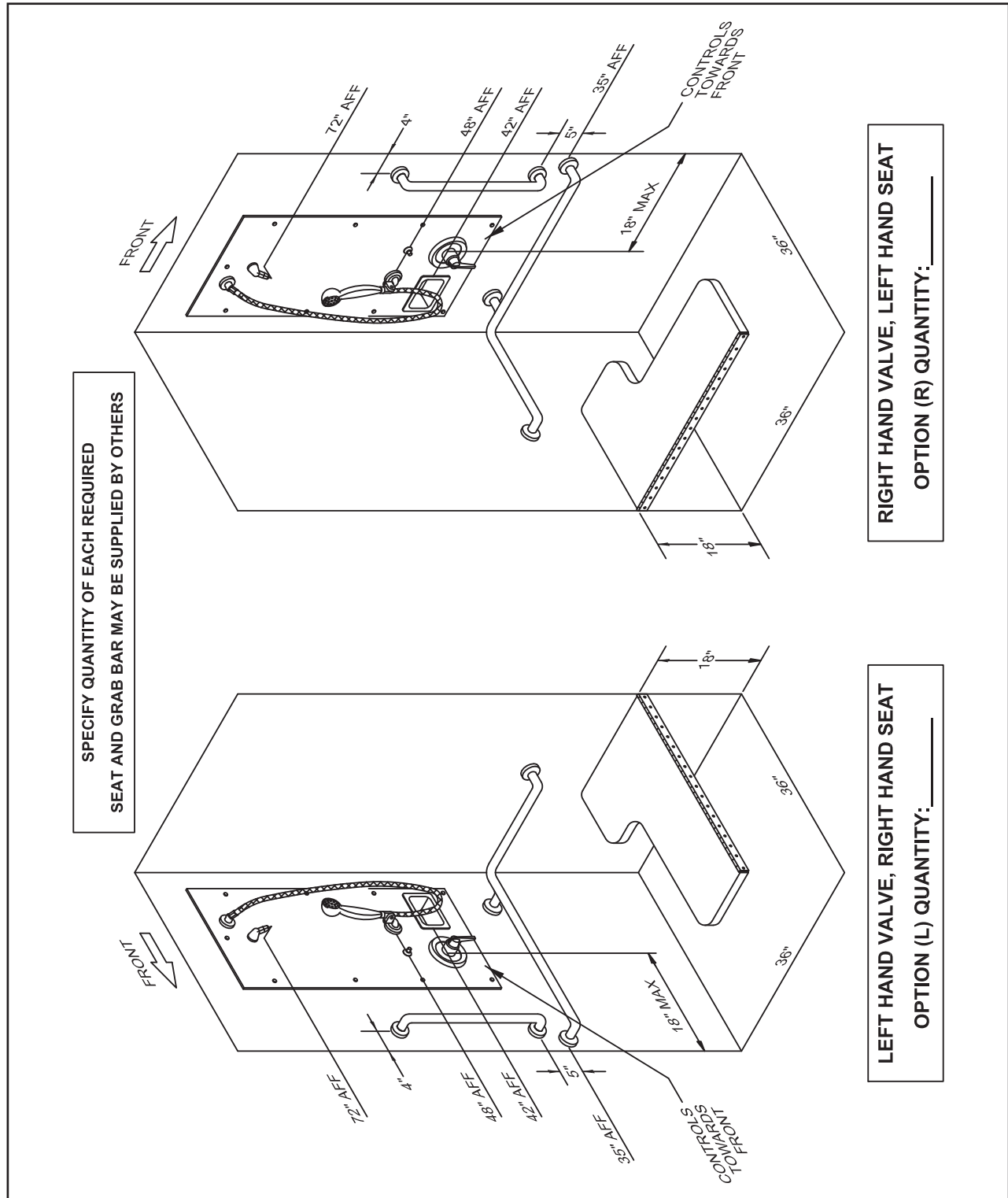
visit our website at www.willoughby-ind.com
 5105 West 78th Street • Indianapolis, IN. 46268
 (317) 875-0830 • Fax: (317) 875-0837 • (800) 428-4065



MADE IN THE U.S.A.

OPTIONS (CONTINUED)

SHOWER STALL LAYOUT FOR ADA COMPLIANCE



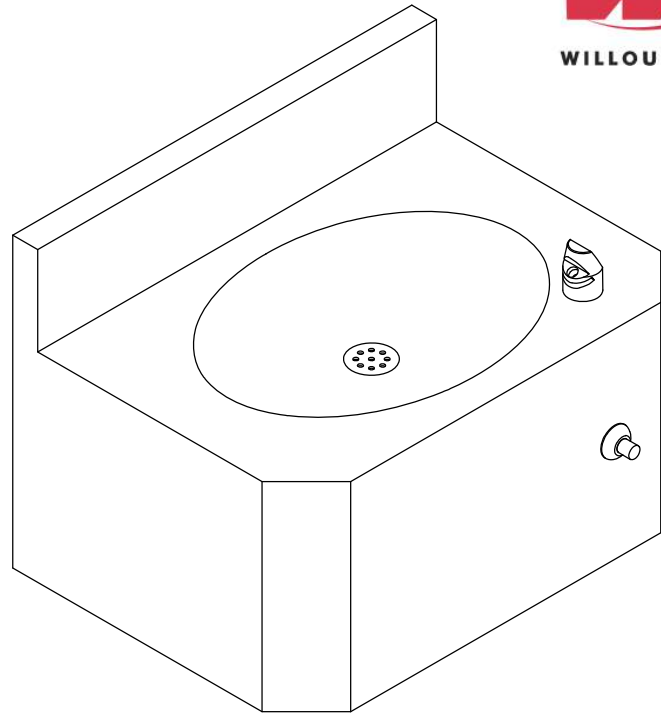
SPECIFY QUANTITY OF EACH REQUIRED SEAT AND GRAB BAR MAY BE SUPPLIED BY OTHERS

RIGHT HAND VALVE, LEFT HAND SEAT
OPTION (R) QUANTITY: _____

LEFT HAND VALVE, RIGHT HAND SEAT
OPTION (L) QUANTITY: _____



DF-1013-96 Rear Mounted Drinking Fountain



(Unit may be shown with optional features)

To specify fixture and accessories, use the Model Number and Options page.

Example: To specify a Rear Mounted Drinking Fountain with standard drinking fountain bubbler, standard single temp. non-metering pneumatic valve and push button, and standard elbow waste

Use the following Willoughby Model Number:

DF-1013-96-DB-PSL1-PPB-EB

Recommended Specifications

Rear Mounted Drinking Fountain shall be:
Willoughby Model No. **DF-1013-96**
(select from model number and options list on next page)

Fixture shall be fabricated from 14 gauge, type 304 stainless steel. The construction shall be all-welded, with exposed stainless surfaces polished to a #4 satin finish.

Standard equipment shall include:

- Oval basin, 13" x 9-1/2" x 1-1/2" deep
- Integral fast drain with air vent
- (DB) stainless steel drinking fountain bubbler
- (PSL1) Single temperature, non-metering pneumatic valve w/ (PPB) push button
- (EB) elbow waste (1-1/4" F.I.P.)

Cabinet interior shall be sound deadened with fire-resistant material.

Mounting:

Anchoring shall be by standard 4-point system: 1/2" threaded rods, nuts and washers shall be furnished for walls up to 8" thick.

Unit shall require chase area for installation and maintenance.

Vandal Resistance:

All push buttons and escutcheons are secured to the unit from within the fixture. Valves, water supplies, and waste connections are concealed within.

visit our website at www.willoughby-ind.com

5105 West 78th Street • Indianapolis, IN. 46268

(317) 875-0830 • Fax: (317) 875-0837 • (800) 428-4065



MADE IN THE U.S.A.

MODEL NUMBER AND OPTIONS:

1.) Drinking Fountain Model:

DF-1013-96 Drinking Fountain

2.) Bubbler Selection:

DB Drinking Fountain Bubbler (Standard)

3.) Valve Selection:

PSL1 Single Temp. Pneumatic Non-metering (Standard)

4.) Push Button Selection:

PPB Pneumatic Push Button (Standard)

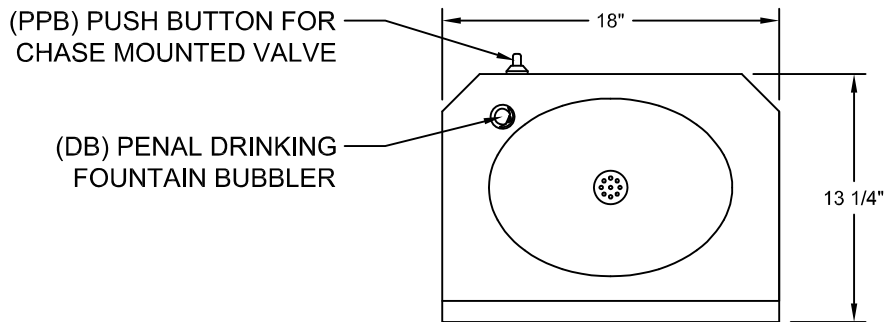
5.) Drinking Fountain Waste:

- EB Elbow Waste (Standard)
- PT Integral 'P'-Trap
- LW1 Lavatory Waste Extension
- LW2 Thru-Wall Extension, 'P'-Trap and Clean-Out

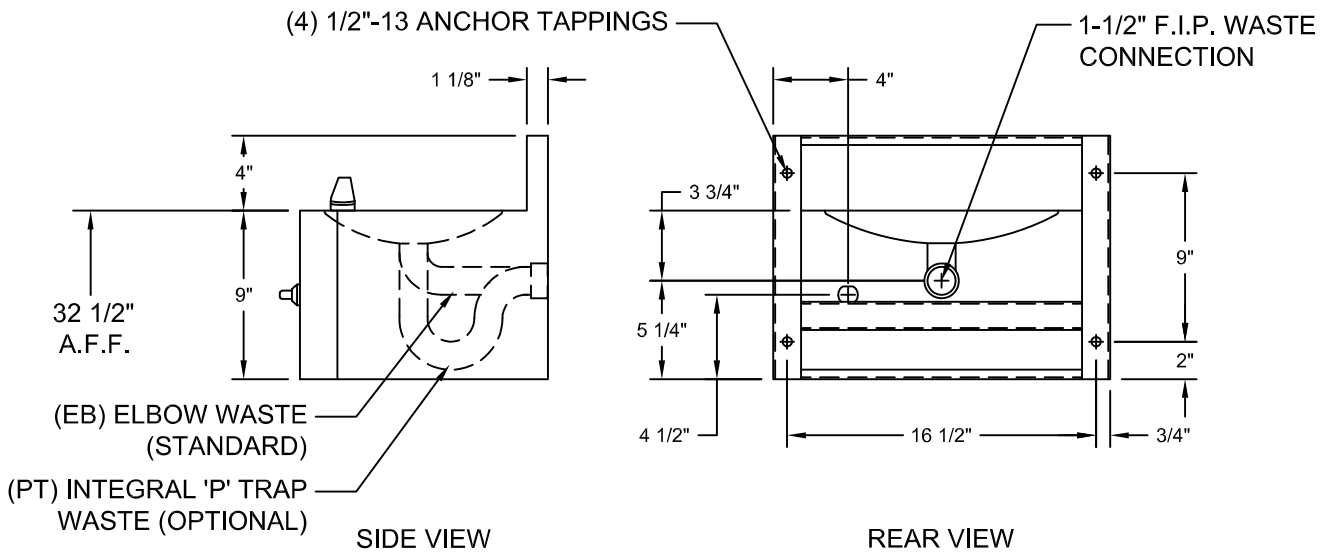
6.) Other Options:

- MT Wall Template
- WS Wall Sleeve (Requires Accessible Chase)
- Other: _____
- Other: _____

Approved For Manufacturing By: _____ Date: _____ Company: _____
 Wall Thickness: _____ Wall Type: _____



PLAN VIEW



SIDE VIEW

REAR VIEW

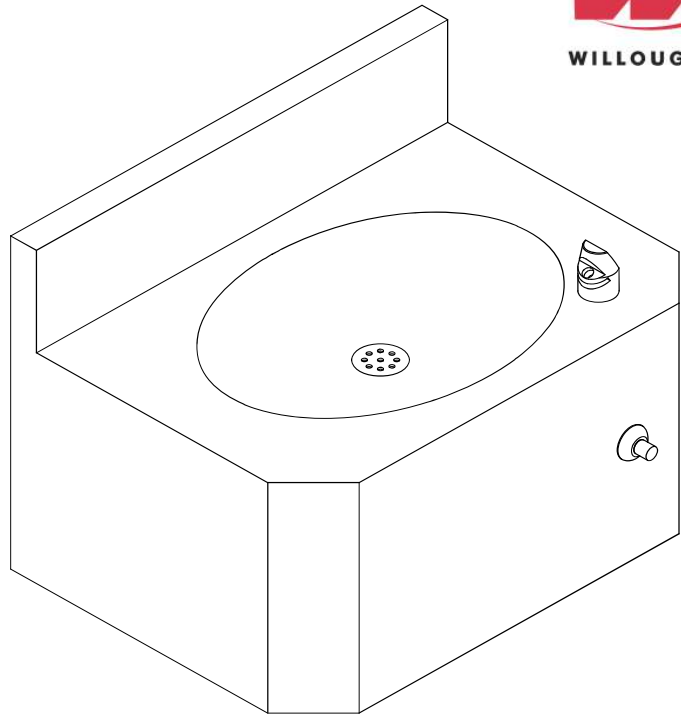
VERIFY ALL DIMENSIONS WITH FACTORY PRIOR TO ROUGH-IN
 WILLOUGHBY RESERVES THE RIGHT TO MAKE CHANGES IN DESIGN AND DIMENSIONS WITHOUT FORMAL NOTICE AND WITHOUT INCURRING OBLIGATION.

visit our website at www.willoughby-ind.com
 5105 West 78th Street • Indianapolis, IN. 46268
 (317) 875-0830 • Fax: (317) 875-0837 • (800) 428-4065



MADE IN THE U.S.A.

DF-1013-96-FA Front Mounted Drinking Fountain



(Unit may be shown with optional features)

To specify fixture and accessories, use the Model Number and Options page.
Example: To specify a Front Mounted Drinking Fountain with standard drinking fountain bubbler, standard single temp. non-metering pneumatic valve and push button, standard removable 'p'-trap, and stainless steel wall back-panel
Use the following Willoughby Model Number:
DF-1013-96-FA-DB-PSL1-PPB-RPT-WPB

Recommended Specifications

Front Mounted Drinking Fountain shall be:
Willoughby Model No. **DF-1013-96-FA**
(select from model number and options list on next page)

Fixture shall be fabricated from 14 gauge, type 304 stainless steel. The construction shall be all-welded, with exposed stainless surfaces polished to a #4 satin finish.

Standard equipment shall include:

- Oval-shaped basin, 13" x 9-1/2" x 1-1/2" deep
- Integral fast drain with air vent
- (DB) stainless steel drinking fountain bubbler
- (PSL1) Single temperature, non-metering pneumatic valve w/ (PPB) push button
- (RPT) slip joint, cast brass union 'p'-trap (1-1/2")
- Removable bottom panel attached w/ vandal resistant screws

Cabinet interior shall be sound deadened with fire-resistant material.

Mounting:

Anchoring shall be from the front with 'z'-clip and anchoring holes provided. Anchoring hardware by others.

Unit requires no chase area for installation and maintenance.

Vandal Resistance:

All push buttons and escutcheons are secured to the unit from within the fixture. Valves, water supplies and waste connections are concealed within.

visit our website at www.willoughby-ind.com

5105 West 78th Street • Indianapolis, IN. 46268
(317) 875-0830 • Fax: (317) 875-0837 • (800) 428-4065



MADE IN THE U.S.A.

MODEL NUMBER AND OPTIONS:

1.) Drinking Fountain Model:

DF-1013-96-FA Front Mounted Drinking Fountain

2.) Bubbler Selection:

DB Drinking Fountain Bubbler (Standard)

3.) Valve Selection:

PSL1 Single Temp. Pneumatic Non-metering (Standard)

4.) Push Button Selection:

PPB Pneumatic Push Button (Standard)

5.) Drinking Fountain Waste:

RPT Slip Joint, Cast Brass Union 'P'-trap (Removable, 1-1/2") (Standard)

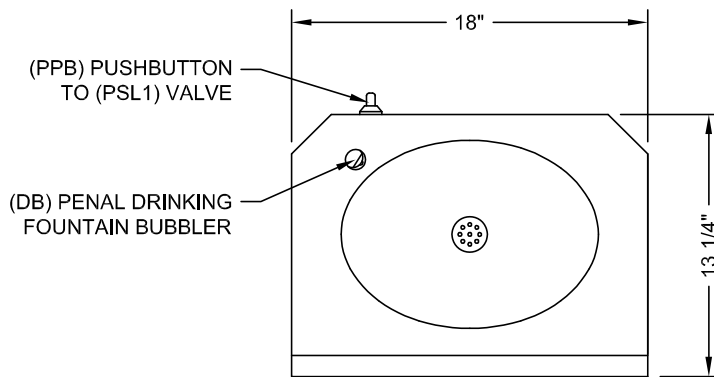
6.) Other Options:

MT Wall Template

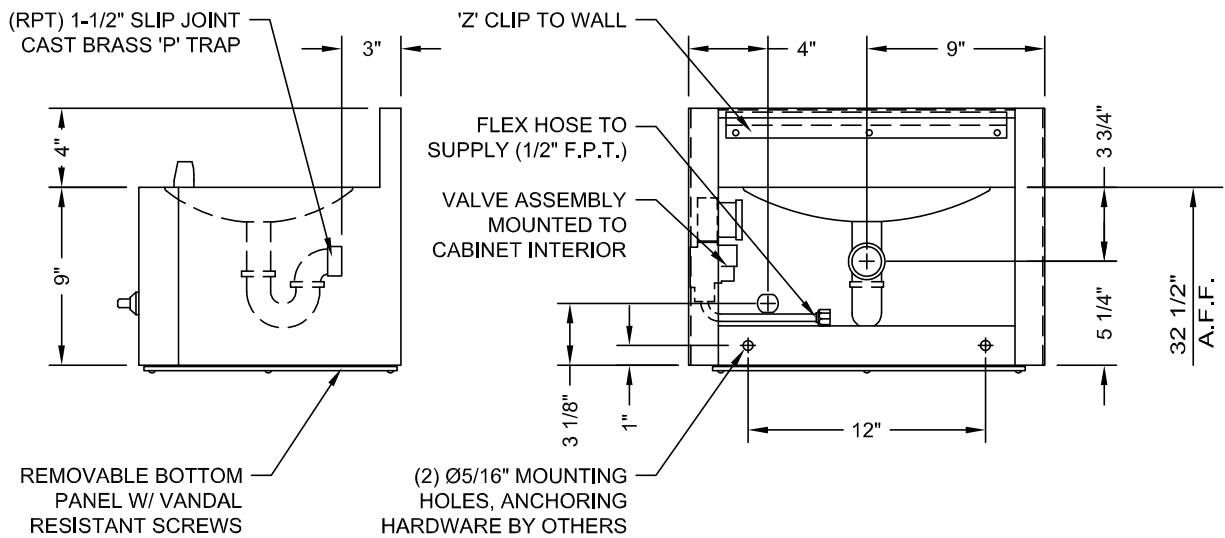
Other: _____

Other: _____

Approved For Manufacturing By: _____ Date: _____ Company: _____
 Wall Thickness: _____ Wall Type: _____



PLAN VIEW



SIDE VIEW

BACK VIEW

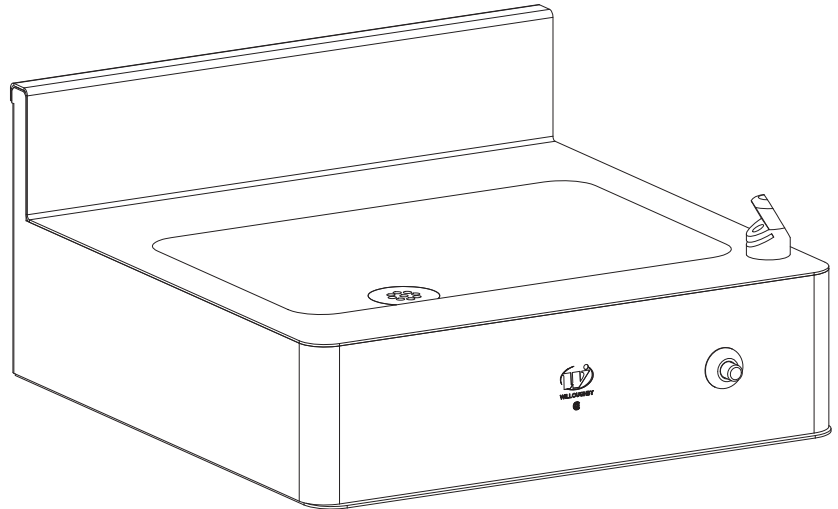
VERIFY ALL DIMENSIONS WITH FACTORY PRIOR TO ROUGH-IN
 WILLOUGHBY RESERVES THE RIGHT TO MAKE CHANGES IN DESIGN AND DIMENSIONS WITHOUT FORMAL NOTICE AND WITHOUT INCURRING OBLIGATION.

visit our website at www.willoughby-ind.com
 5105 West 78th Street • Indianapolis, IN. 46268
 (317) 875-0830 • Fax: (317) 875-0837 • (800) 428-4065



MADE IN THE U.S.A.

DF-1015-96-HC Handicap-ADA Compliant Rear Mounted Drinking Fountain



(Unit may be shown with optional features)

Recommended Specifications

To specify fixture and accessories, use the Model Number and Options page.
Example: To specify a Handicap-ADA Compliant, Rear Mounted Drinking Fountain with standard drinking fountain bubbler, standard single temp. non-metering pneumatic valve and push button, and standard elbow waste
Use the following Willoughby Model Number:
DF-1015-96-HC-DB-PSL1-PPB-EB

Handicap-ADA Compliant, Rear Mounted Drinking Fountain shall be: Willoughby Model No. **DF-1015-96-HC**
(select from model number and options list on next page)

Fixture shall be fabricated from 14 gauge, type 304 stainless steel. The construction shall be all-welded, with exposed stainless surfaces polished to a #4 satin finish.

Standard equipment shall include:

- Rectangular-shaped basin, 13" x 9-1/2" x 1-1/2" deep
- Integral fast drain with air vent
- (DB) stainless steel drinking fountain bubbler
- (PSL1) Single temperature, non-metering pneumatic valve w/ (PPB) push button
- (EB) elbow waste (1-1/2" F.I.P.)

Cabinet interior shall be sound deadened with fire-resistant material.

Mounting:

Anchoring shall be by standard 4-point system: 1/2" threaded rods, nuts and washers shall be furnished for walls up to 8" thick.

Unit shall require chase area for installation and maintenance.

Vandal Resistance:

All push buttons and escutcheons are secured to the unit from within the fixture. Valves, water supplies, and waste connections are concealed within.

MODEL NUMBER AND OPTIONS:

1.) Drinking Fountain Model:

- DF-1015-96-HC Handicap-ADA Compliant,
Rear Mounted Drinking Fountain

2.) Bubbler Selection:

- DB Drinking Fountain Bubbler (Standard)

3.) Valve Selection:

- PSL1 Single Temp. Pneumatic Non-metering (Standard)

4.) Push Button Selection:

- PPB Pneumatic Push Button (Standard)

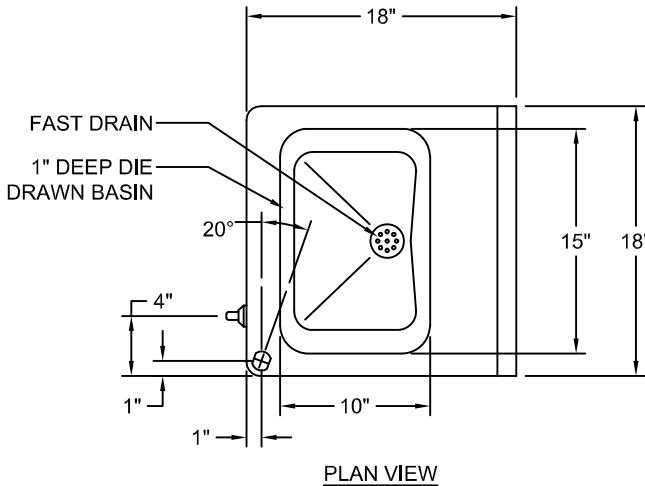
5.) Drinking Fountain Waste:

- EB Elbow Waste (Standard)
 PT Integral 'P'-Trap
 LWE Lavatory Waste Extension
 LW1 Thru-Wall Extension, 'P'-Trap and Clean-Out

6.) Other Options:

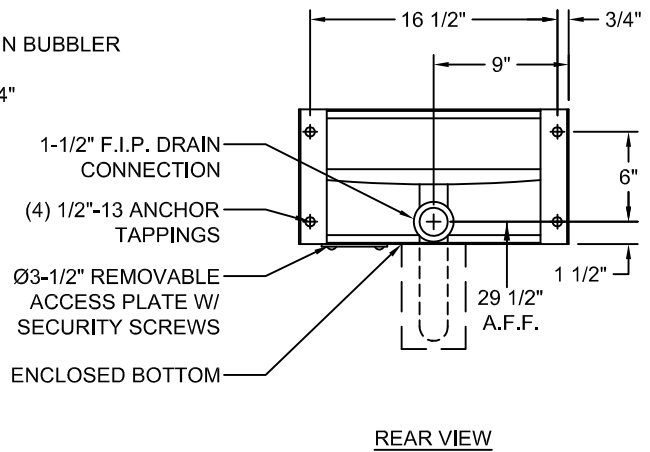
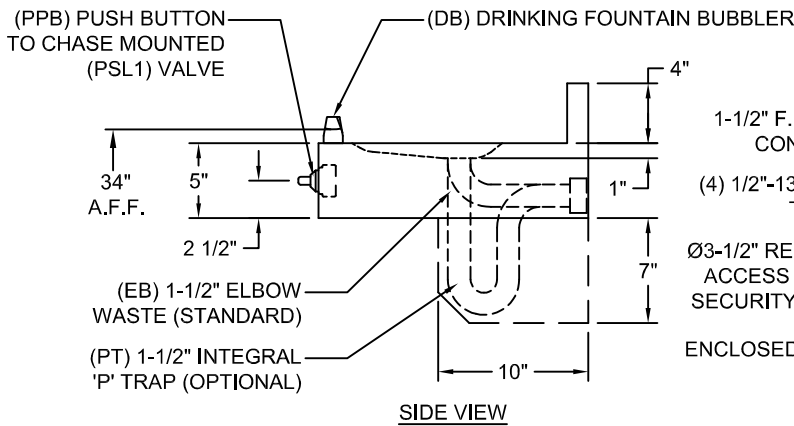
- MT Wall Template
 WS Wall Sleeve (Requires Accessible Chase)
 Other: _____
 Other: _____

Approved For Manufacturing By: _____ Date: _____ Company: _____
 Wall Thickness: _____ Wall Type: _____



NOTE:
 33" RIM HEIGHT SHOWN, 34" BUBBLER
 (34" AND 36" MAX ADULT ADA
 HEIGHTS, RESPECTIVELY) ADJUST
 DIMENSIONS ACCORDINGLY FOR
 ALTERNATE HEIGHTS

VERIFY ALL DIMENSIONS WITH FACTORY PRIOR TO ROUGH-IN
 WILLOUGHBY RESERVES THE RIGHT TO MAKE CHANGES IN DESIGN AND
 DIMENSIONS WITHOUT FORMAL NOTICE AND WITHOUT INCURRING OBLIGATION.

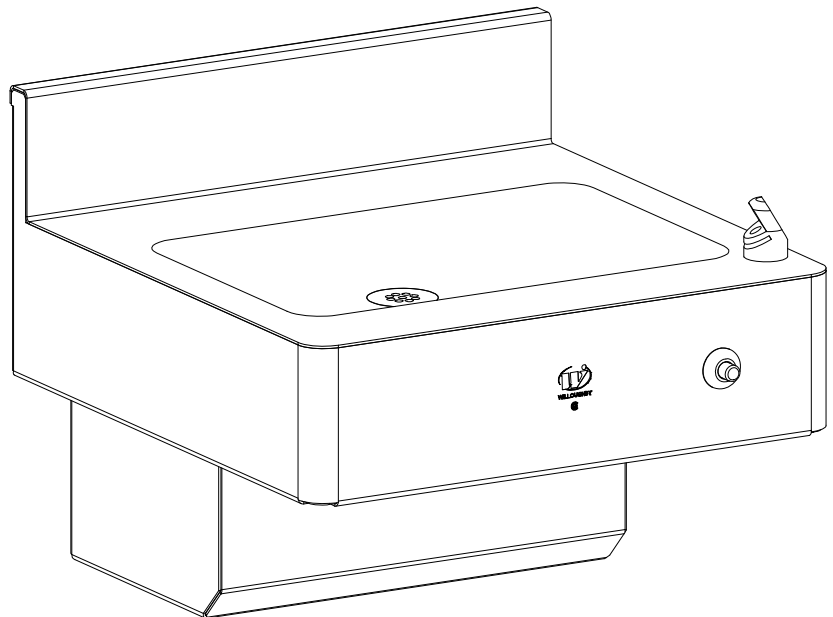


visit our website at www.willoughby-ind.com
 5105 West 78th Street • Indianapolis, IN. 46268
 (317) 875-0830 • Fax: (317) 875-0837 • (800) 428-4065



MADE IN THE U.S.A.

DF-1015-96-HC-FA Handicap-ADA Compliant Front Mounted Drinking Fountain



(Unit may be shown with optional features)



To specify fixture and accessories, use the Model Number and Options page.
Example: To specify a Handicap-ADA Compliant, Front Mounted Drinking Fountain with standard drinking fountain bubbler, standard single temp. non-metering pneumatic valve and push button, and standard removable 'p'-trap
Use the following Willoughby Model Number:
DF-1015-96-HC-FA-DB-PSL1-PPB-RPT

Recommended Specifications

Handicap-ADA Compliant, Front Mounted Drinking Fountain shall be: Willoughby Model No. **DF-1015-96-HC-FA** (select from model number and options list on next page)

Fixture shall be fabricated from 14 gauge, type 304 stainless steel. The construction shall be all-welded, with exposed stainless surfaces polished to a #4 satin finish.

Standard equipment shall include:

- Rectangular-shaped basin, 14-1/2" x 10" x 1" deep
- Integral fast drain with air vent
- (DB) stainless steel drinking fountain bubbler
- (PSL1) Single temperature, non-metering pneumatic valve w/ (PPB) push button
- (RPT) slip joint, cast brass union 'p'-trap (1-1/2")
- Removable bottom panel attached w/ vandal resistant screws

Cabinet interior shall be sound deadened with fire-resistant material.

Mounting:

Anchoring shall be from the front with 'z'-clip and anchoring holes provided. Anchoring hardware by others.

Unit requires no chase area for installation and maintenance.

Vandal Resistance:

All push buttons and escutcheons are secured to the unit from within the fixture. Valves, water supplies and waste connections are concealed within the fixture and pipe shroud. The pipe shroud is removable and secured with vandal resistant security screws.

ADA and ANSI Compliant:

When the drinking fountain is mounted at standard 36" bubbler height, it is designed to comply with applicable ADA and ANSI Z124.3 and Z124.6 accessibility guidelines.

visit our website at www.willoughby-ind.com
5105 West 78th Street • Indianapolis, IN. 46268
(317) 875-0830 • Fax: (317) 875-0837 • (800) 428-4065



MADE IN THE U.S.A.

MODEL NUMBER AND OPTIONS:

1.) Drinking Fountain Model:

- DF-1015-96-HC-FA Handicap-ADA Compliant, Front Mounted Drinking Fountain

5.) Drinking Fountain Waste:

- RPT Slip Joint, Cast Brass Union 'P'-trap (Removable, 1-1/2") (Standard)

2.) Bubbler Selection:

- DB Drinking Fountain Bubbler (Standard)

6.) Other Options:

- MT Wall Template
 Other: _____
 Other: _____

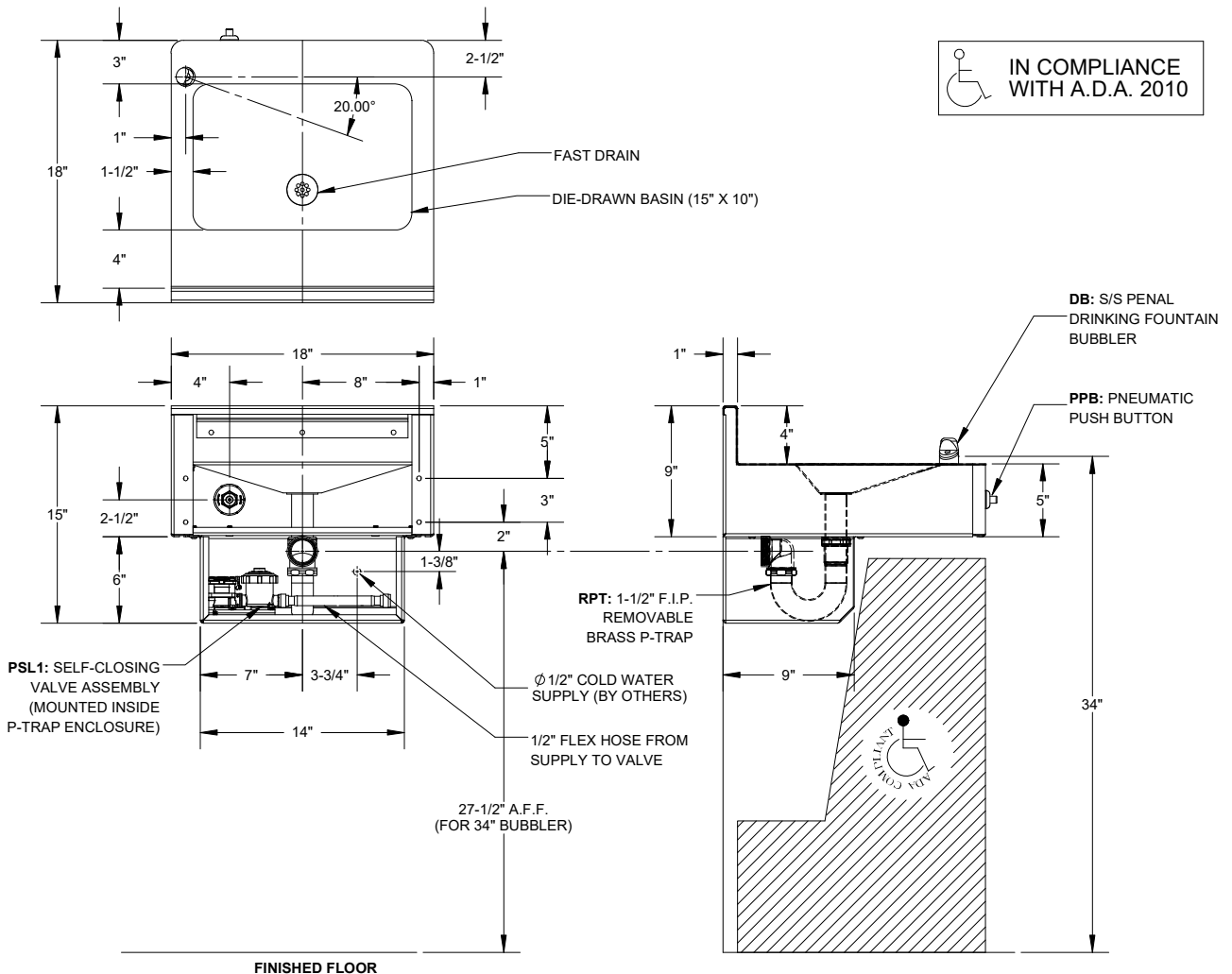
3.) Valve Selection:

- PSL1 Single Temp. Pneumatic Non-metering (Standard)

4.) Push Button Selection:

- PPB Pneumatic Push Button (Standard)

Approved For Manufacturing By: _____ Date: _____ Company: _____
 Wall Thickness: _____ Wall Type: _____



 IN COMPLIANCE WITH A.D.A. 2010

VERIFY ALL DIMENSIONS WITH FACTORY PRIOR TO ROUGH-IN
 WILLOUGHBY RESERVES THE RIGHT TO MAKE CHANGES IN DESIGN AND DIMENSIONS WITHOUT FORMAL NOTICE AND WITHOUT INCURRING OBLIGATION.

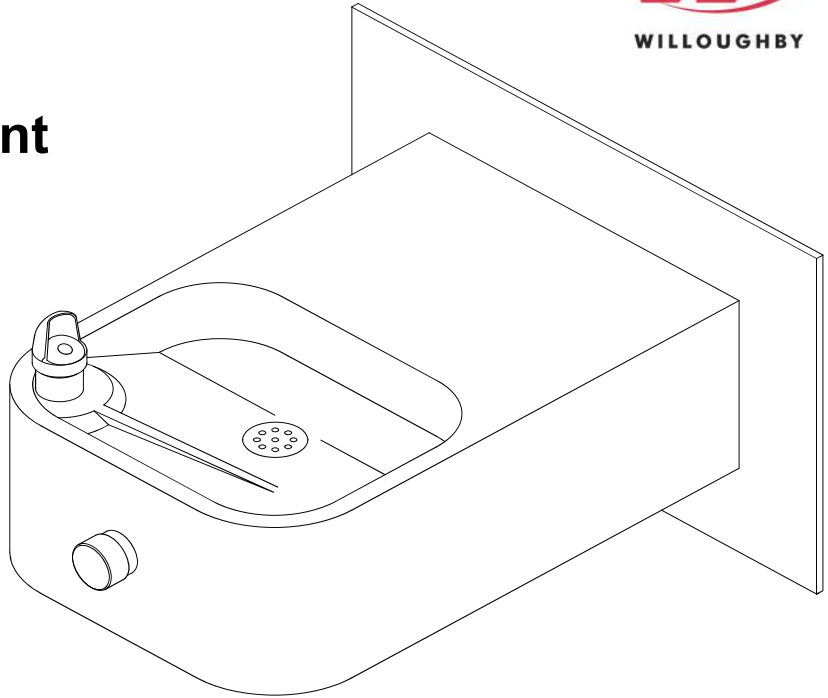
FINISHED FLOOR

visit our website at www.willoughby-ind.com
 5105 West 78th Street • Indianapolis, IN. 46268
 (317) 875-0830 • Fax: (317) 875-0837 • (800) 428-4065



MADE IN THE U.S.A.

DF-1812-FA Small Profile Handicap-ADA Compliant Front Access Drinking Fountain



(Unit may be shown with optional features)



To specify fixture and accessories, use the Model Number and Options page.
Example: To specify a Small Profile, Handicap-ADA Compliant, Front Access Drinking Fountain with standard drinking fountain bubbler, standard single temp. non-metering pneumatic valve and push button, standard removable 'p'-trap, and s/s wall back-panel
Use the following Willoughby Model Number:
DF-1812-FA-CDB-PSL1-PLPB-RPT-WPB

Recommended Specifications

Small Profile, Handicap-ADA Compliant, Front Access Drinking Fountain shall be: Willoughby Model No. **DF-1812-FA** (select from model number and options list on next page)

Fixture shall be fabricated from 14 gauge, type 304 stainless steel. The construction shall be all-welded, with exposed stainless surfaces polished to a #4 satin finish.

Standard equipment shall include:

- Rectangular-shaped basin with rounded corners, 8-5/8" x 10-3/4" x 2" deep
- Removable stainless steel fast drain
- (CDB) stainless steel drinking fountain bubbler
- (PSL1) Single temperature, non-metering pneumatic valve w/ (PLPB) pneumatic palm push button
- (RPT) slip joint, cast brass union 'p'-trap (1-1/2")
- Removable bottom panel attached w/ vandal resistant screws

Cabinet interior shall be sound deadened with fire-resistant material.

Mounting:

Anchoring shall be from the front with mounting plate and attachment screws provided. Anchoring hardware by others.

Unit requires no chase area for installation and maintenance.

Vandal Resistance:

All push buttons and escutcheons are secured to the unit from within the fixture. Valves, water supplies and waste connections are concealed within. The bottom panel is removable and secured with vandal resistant security screws.

ADA and ANSI Compliant:

When the drinking fountain is mounted at standard 36" bubbler height, it is designed to comply with applicable ADA and ANSI Z124.3 and Z124.6 accessibility guidelines.

visit our website at www.willoughby-ind.com

5105 West 78th Street • Indianapolis, IN. 46268
(317) 875-0830 • Fax: (317) 875-0837 • (800) 428-4065



MADE IN THE U.S.A.

MODEL NUMBER AND OPTIONS:

1.) Drinking Fountain Model:

- DF-1812-FA Small Profile, Handicap-ADA Compliant, Front Access Drinking Fountain

2.) Bubbler Selection:

- CDB Drinking Fountain Bubbler (Standard)

3.) Valve Selection:

- PSL1 Single Temp. Pneumatic Non-metering (Standard)

4.) Push Button Selection:

- PLPB Pneumatic Palm Push Button (Standard)

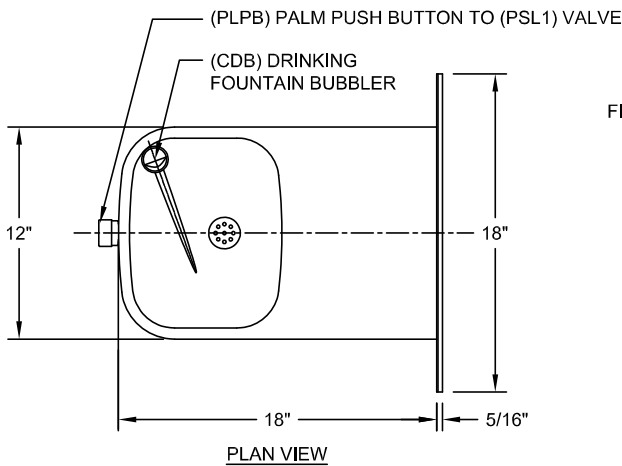
5.) Drinking Fountain Waste:

- RPT Slip Joint, Cast Brass Union 'P'-trap (Removable, 1-1/2") (Standard)

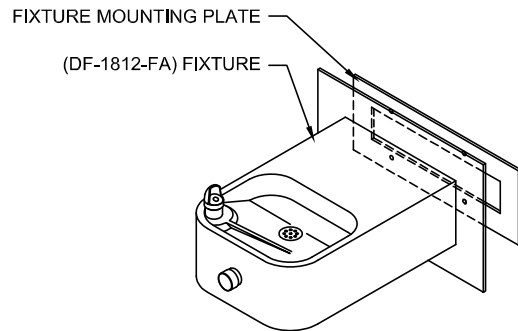
6.) Other Options:

- MT Wall Template
 WBP Stainless Steel Wall Back-Panel
 Other: _____
 Other: _____

Approved For Manufacturing By: _____ Date: _____ Company: _____
 Wall Thickness: _____ Wall Type: _____

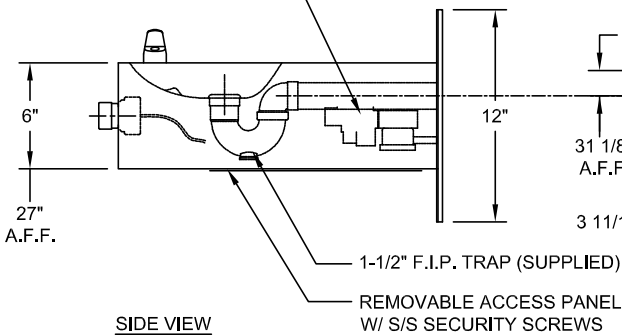


 IN COMPLIANCE WITH A.D.A. 2010

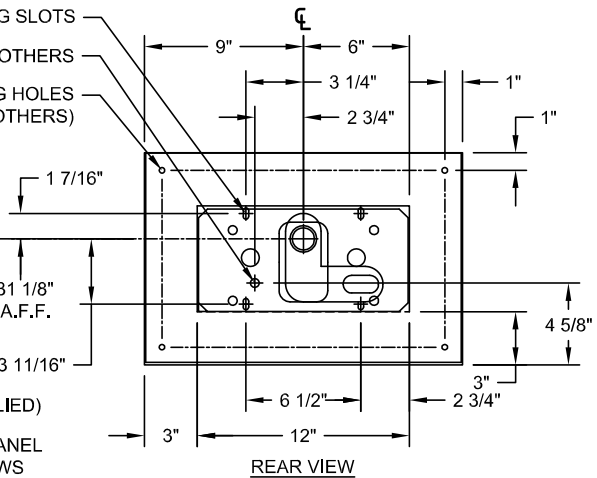


VERIFY ALL DIMENSIONS WITH FACTORY PRIOR TO ROUGH-IN
 WILLOUGHBY RESERVES THE RIGHT TO MAKE CHANGES IN DESIGN AND DIMENSIONS WITHOUT FORMAL NOTICE AND WITHOUT INCURRING OBLIGATION.

VALVE, CHECK STOP, & STRAINER (SUPPLIED)



(4) Ø3/8" MOUNTING SLOTS
 1/2" SUPPLY BY OTHERS
 (4) Ø5/16" MOUNTING HOLES (HARDWARE BY OTHERS)



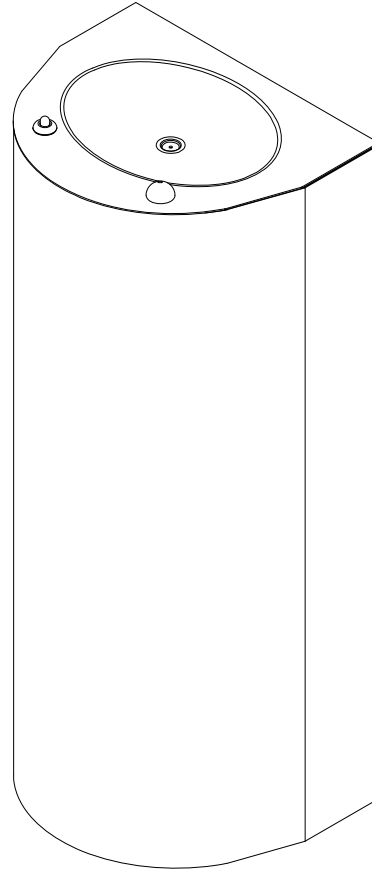
NOTE:
 33" RIM HEIGHT SHOWN, 34" BUBBLER (34" AND 36" MAX ADULT ADA HEIGHTS, RESPECTIVELY) ADJUST DIMENSIONS ACCORDINGLY FOR ALTERNATE HEIGHTS

visit our website at www.willoughby-ind.com
 5105 West 78th Street • Indianapolis, IN. 46268
 (317) 875-0830 • Fax: (317) 875-0837 • (800) 428-4065



MADE IN THE U.S.A.

ASDF-1013-06 Ligature-resistant Wall Mounted 18" Wide Drinking Fountain



(Unit may be shown with optional features)

To specify fixture and accessories, use the Model Number and Options page.

Example: To specify a Ligature-resistant, Wall Mounted, 18" Wide Drinking Fountain with standard ligature-resistant drinking fountain bubbler, single temp electronic valve, piezo push button, standard elbow waste (with thru-wall extension, 'p'-trap, and clean-out), and wall sleeve

Use the following Willoughby Model Number:
ASDF-1013-06-DMBH-E1L1-PZPB-EB-LW1-WS

Recommended Specifications

Ligature-resistant, Wall Mounted, 18" Wide Drinking Fountain shall be: Willoughby Model No. **ASDF-1013-06**
(select from model number and options list on next page)

Fixture shall be fabricated from 14 gauge, type 304 stainless steel. The construction shall be all-welded, with exposed stainless surfaces polished to a #4 satin finish.

Standard equipment shall include:

- Oval-shaped basin, 13" x 9-1/2" x 1-1/2" deep
- Integral slow drain with air vent
- (DMBH) deck-mounted ligature-resistant stainless steel drinking fountain bubbler
- (PSL1) Single temperature, non-metering pneumatic valve w/ (PBH) ligature-resistant pneumatic push button
- (EB) elbow waste (1-1/2" F.I.P.)

Cabinet interior shall be sound deadened with fire-resistant material.

Mounting:

Anchoring shall be by standard 4-point system: Ø1/2" threaded rods, nuts, and washers shall be furnished for walls up to 8" thick. Unit shall require chase area for installation and maintenance.

Unit shall require chase area for installation and maintenance.

Vandal Resistance:

All push buttons and escutcheons are secured to the unit from within the fixture. Valves, water supplies and waste connections are concealed within.

visit our website at www.willoughby-ind.com

5105 West 78th Street • Indianapolis, IN. 46268

(317) 875-0830 • Fax: (317) 875-0837 • (800) 428-4065



MADE IN THE U.S.A.

MODEL NUMBER AND OPTIONS:

1.) Drinking Fountain Model:

- ASDF-1013-06 Ligature-resistant, Wall Mounted, 18" Wide Drinking Fountain

2.) Bubbler Selection:

- DMBH Deck Mounted Ligature-resistant Bubbler (Standard)

3.) Valve Selection:

- PSL1 Single Temp. Pneumatic Non-metering (Standard)
- PML1 Single Temp. Pneumatic Metering
- E1L1 Single Temp. Electronic*

4.) Push Button Selection:

- PBH Ligature-resistant Pneumatic Push Button (Standard)
- EPBH Ligature-resistant Electronic Push Button*
- PZPB Piezo Push Button*

5.) Drinking Fountain Waste:

- EB Elbow Waste (Standard)
- PT Integral 'P'-Trap
- LWE Lavatory Waste Extension
- LW1 Thru-Wall Extension, 'P'-Trap, and Clean-Out
- LW2 Thru-Wall Extension and Clean-Out

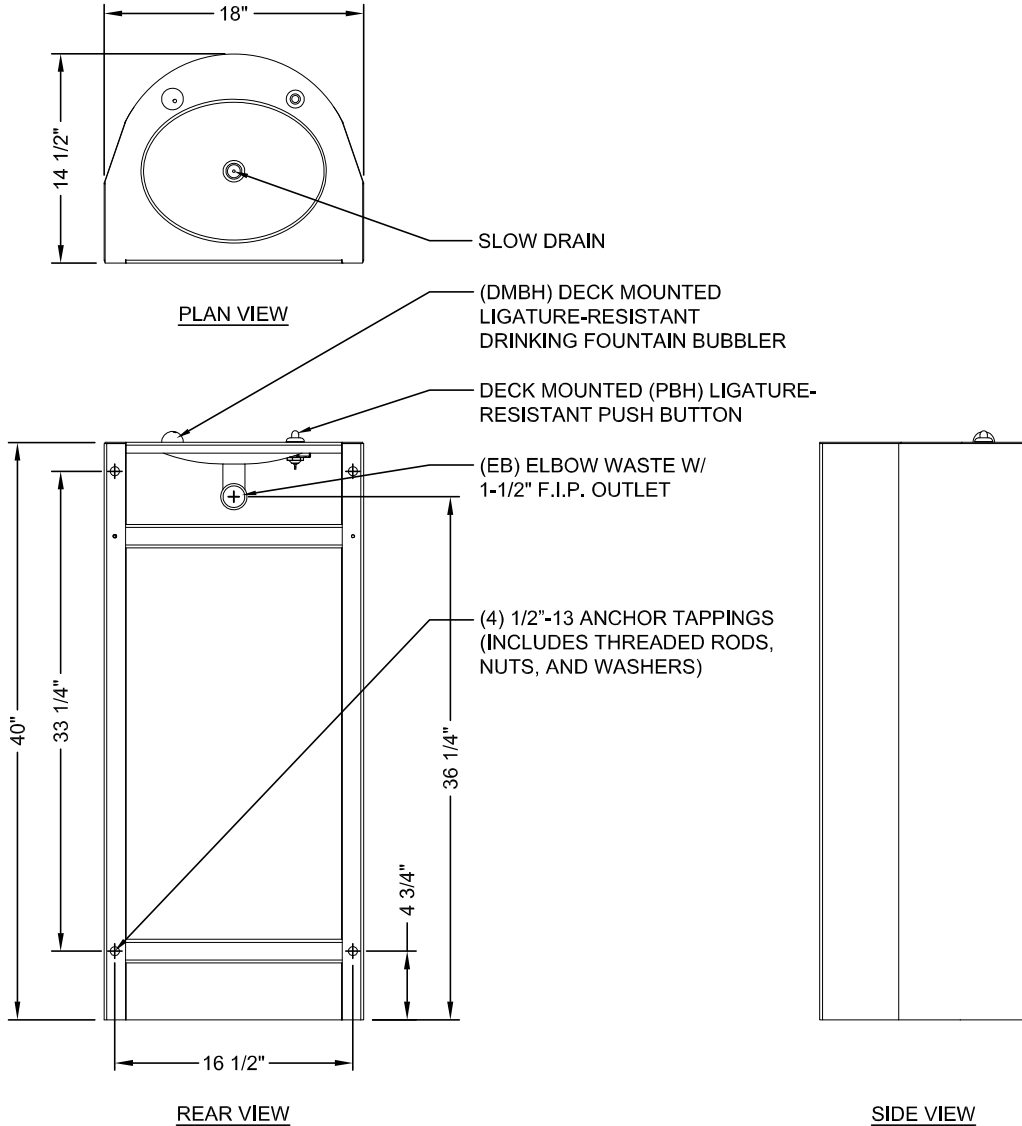
6.) Other Options:

- MT Wall Template
- WS Wall Sleeve (Requires Accessible Chase)
- Other: _____
- Other: _____

*(Req. 110V power through ground fault interrupter (GFCI) receptacle)

Approved For Manufacturing By: _____ Date: _____ Company: _____
 Wall Thickness: _____ Wall Type: _____

VERIFY ALL DIMENSIONS WITH FACTORY PRIOR TO ROUGH-IN
 WILLOUGHBY RESERVES THE RIGHT TO MAKE CHANGES IN DESIGN AND DIMENSIONS WITHOUT FORMAL NOTICE AND WITHOUT INCURRING OBLIGATION.

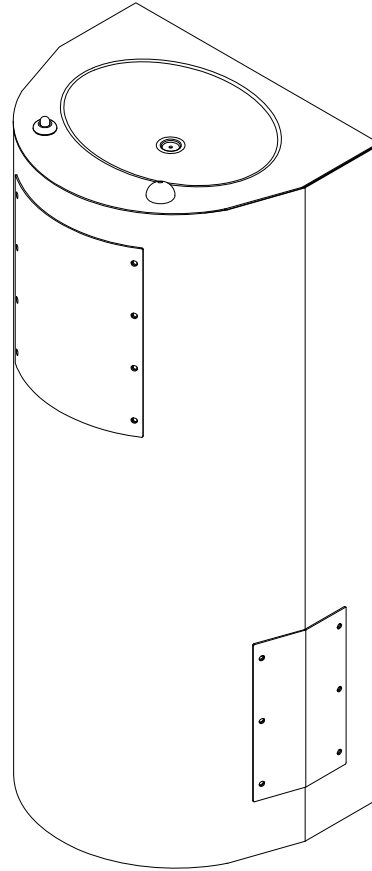


visit our website at www.willoughby-ind.com
 5105 West 78th Street • Indianapolis, IN. 46268
 (317) 875-0830 • Fax: (317) 875-0837 • (800) 428-4065



MADE IN THE U.S.A.

ASDF-1013-06-FA Ligature-resistant Front Access 18" Wide Drinking Fountain



(Unit may be shown with optional features)

To specify fixture and accessories, use the Model Number and Options page.

Example: To specify a Ligature-resistant, Front Access, 18" Wide Drinking Fountain with standard ligature-resistant drinking fountain bubbler, single temp pneumatic non-metering valve, standard ligature-resistant pneumatic push button, standard removable p-trap, and metal wall template

Use the following Willoughby Model Number:
ASDF-1013-06-FA-DMBH-PSL1-PBH-RPT-MT

Recommended Specifications

Ligature-resistant, Front Access, 18" Wide Drinking Fountain shall be: Willoughby Model No. **ASDF-1013-06-FA** (select from model number and options list on next page)

Fixture shall be fabricated from 14 gauge, type 304 stainless steel. The construction shall be all-welded, with exposed stainless surfaces polished to a #4 satin finish.

Standard equipment shall include:

- Oval-shaped basin, 13" x 9-1/2" x 1-1/2" deep
- Integral slow drain with air vent
- (DMBH) deck-mounted ligature-resistant stainless steel drinking fountain bubbler
- (PSL1) Single temperature, non-metering pneumatic valve w/ (PBH) ligature-resistant pneumatic push button
- (RPT) slip joint, cast brass union 'p'-trap (1-1/2")
- (3) removable cabinet-mounted access panels attached w/ vandal resistant screws

Cabinet interior shall be sound deadened with fire-resistant material.

Mounting:

Anchoring shall be from the front with anchoring holes provided. Anchoring hardware by others.

Unit requires no chase area for installation and maintenance.

Vandal Resistance:

All push buttons and escutcheons are secured to the unit from within the fixture. Valves, water supplies and waste connections are concealed within. Access panels are removable and secured with vandal resistant security screws.

visit our website at www.willoughby-ind.com
5105 West 78th Street • Indianapolis, IN. 46268
(317) 875-0830 • Fax: (317) 875-0837 • (800) 428-4065



MADE IN THE U.S.A.

MODEL NUMBER AND OPTIONS:

1.) Drinking Fountain Model:

- ASDF-1013-06-FA Ligature-resistant, Front Access,
18" Wide Drinking Fountain

5.) Drinking Fountain Waste:

- RPT Slip Joint, Cast Brass Union 'P'-trap (Removable, 1-1/2")
(Standard)

2.) Bubbler Selection:

- DMBH Deck Mounted Ligature-resistant Bubbler (Standard)

6.) Other Options:

- MT Wall Template
 Other: _____
 Other: _____

3.) Valve Selection:

- PSL1 Single Temp. Pneumatic Non-metering (Standard)
 PML1 Single Temp. Pneumatic Metering
 E1L1 Single Temp. Electronic*

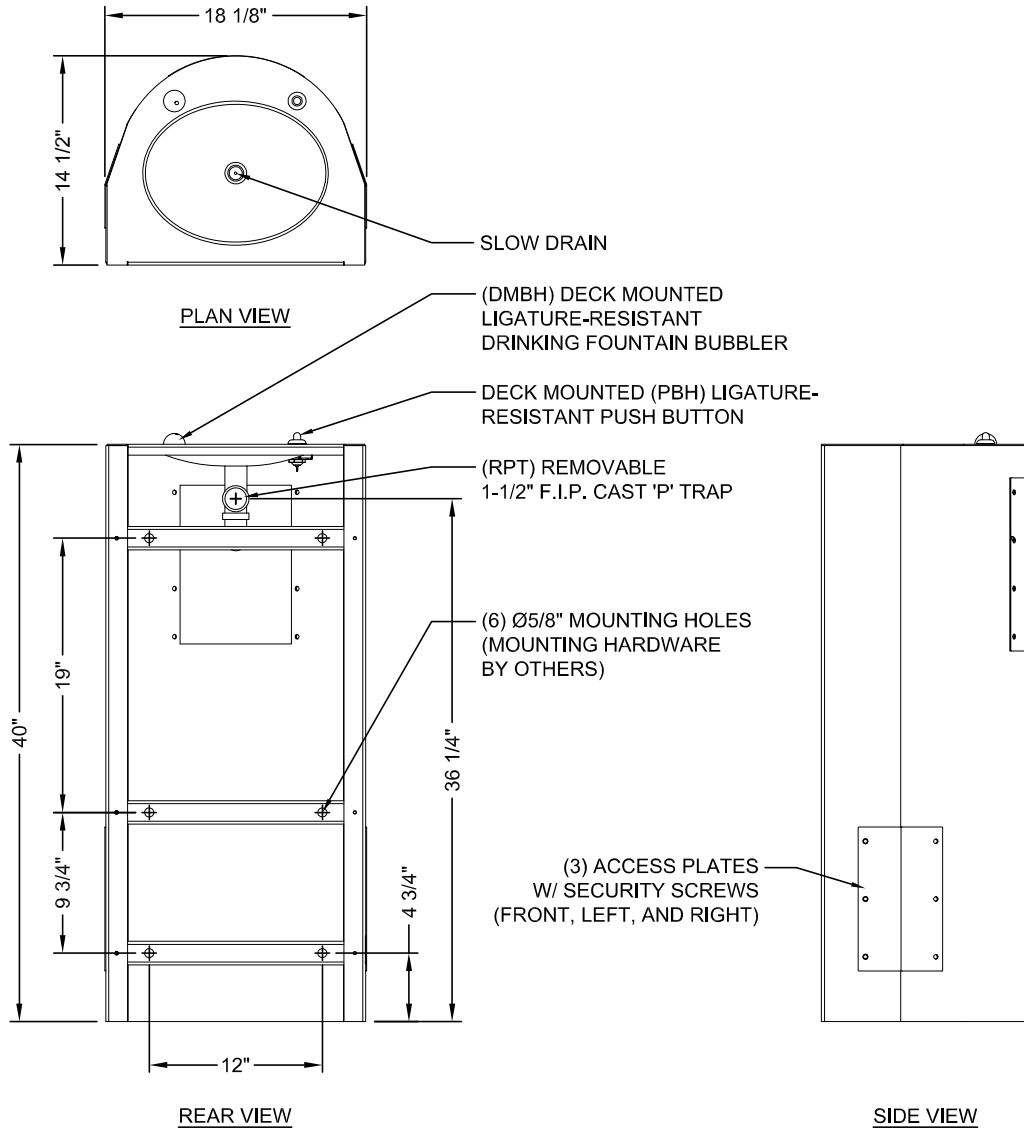
4.) Push Button Selection:

- PBH Ligature-resistant Pneumatic Push Button (Standard)
 EPBH Ligature-resistant Electronic Push Button*
 PZPB Piezo Push Button*

*(Req. 110V power through ground fault interrupter (GFCI) receptacle)

Approved For Manufacturing By: _____ Date: _____ Company: _____
 Wall Thickness: _____ Wall Type: _____

VERIFY ALL DIMENSIONS WITH FACTORY PRIOR TO ROUGH-IN
 WILLOUGHBY RESERVES THE RIGHT TO MAKE CHANGES IN DESIGN AND
 DIMENSIONS WITHOUT FORMAL NOTICE AND WITHOUT INCURRING OBLIGATION.

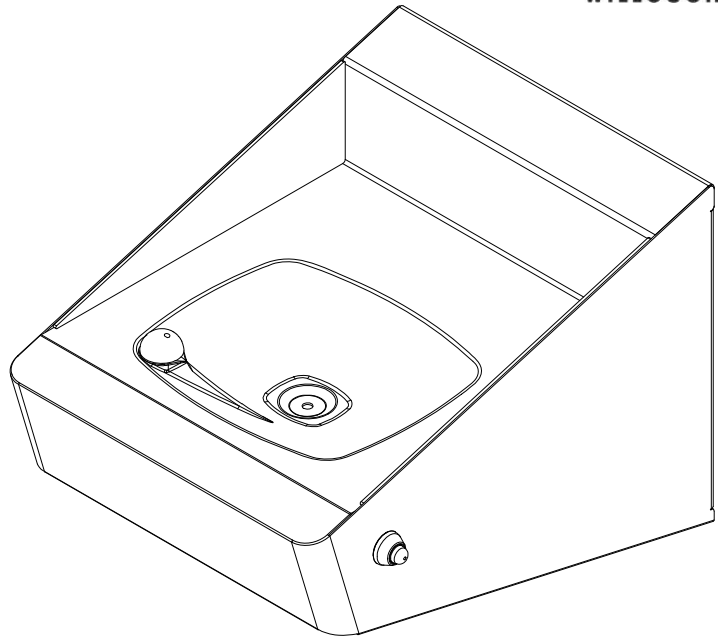


visit our website at www.willoughby-ind.com
 5105 West 78th Street • Indianapolis, IN. 46268
 (317) 875-0830 • Fax: (317) 875-0837 • (800) 428-4065



MADE IN THE U.S.A.

WBDF-1519-HC Ligature-resistant Rear Mounted Stainless Steel Behavioral Drinking Fountain



IN COMPLIANCE
WITH A.D.A. 2010

(Unit may be shown with optional features)

To specify fixture and accessories, use the Model Number and Options page.

Example: To specify a Ligature-resistant Rear Mounted Stainless Steel Behavioral Drinking Fountain with ligature-resistant bubbler, single temp. non-metering pneumatic valve, ligature-resistant pneumatic push button, and elbow waste

Use the following Willoughby Model Number:

WBDF-1519-HC-DMBH-PSL1-PBH-EB

Ligature-resistant Rear Mounted Stainless Steel Behavioral Drinking Fountain shall be:

Willoughby Model No. **WBDF-1519-HC**

(Select from model number and options list on next page)

Wall-hung angular profile fixture shall accommodate one user and is designed to minimize ligature points. Fixture shall be fabricated from 14GA./16GA. Type 304 stainless steel.

The construction shall be all welded, with exposed stainless surfaces polished to a #4 satin finish.

Standard drinking fountain shall include:

- Shallow bowl, 9" x 10-1/2"
- Stainless steel ligature-resistant bubbler
- Slow drain with air vent
- Elbow waste (1-1/2" F.I.P.)
- Angular profile with sloped top

Vandal Resistance/Safety Features:

The bubbler, push buttons, and slow drain are non-removable from the user-side and are designed to minimize ligature points. Supply and waste connections are concealed within the lavatory cabinet, with valves and water supplies remotely located in the mechanical chase. The drinking fountain is rear-access and does not have any exposed fasteners.

ADA, ANSI, and CBC Compliant:

When the drinking fountain is mounted at the standard adult rim height for fountains, it is designed to comply with all applicable ADA, ANSI (Z124.3 and Z124.6), and CBC (2013, Ch. 11B) accessibility guidelines.

Mounting:

Anchoring shall be by standard 4-point system: threaded rods, nuts and washers shall be furnished for walls up to 8" thick. Unit shall require chase area for installation and maintenance; proper backing for lavatory mounting provided by others.

visit our website at www.willoughby-ind.com

5105 West 78th Street • Indianapolis, IN. 46268

(317) 875-0830 • Fax: (317) 875-0837 • (800) 428-4065



MADE IN THE U.S.A.

MODEL NUMBER AND OPTIONS:

1.) Base Model Number:

- WBDF-1519-HC Ligature-resistant Rear Mounted Stainless Steel Behavioral Drinking Fountain

2.) Bubblers Selection:

- DMBH Ligature-resistant Deck Mounted Bubbler (Standard)

3.) Valve Selection:

- PSL1 Single Temp. Pneumatic Non-metering (Standard)

4.) Push Button Selection:

- PBH Ligature-resistant Pneumatic Push Button (Standard)

5.) Drinking Fountain Waste:

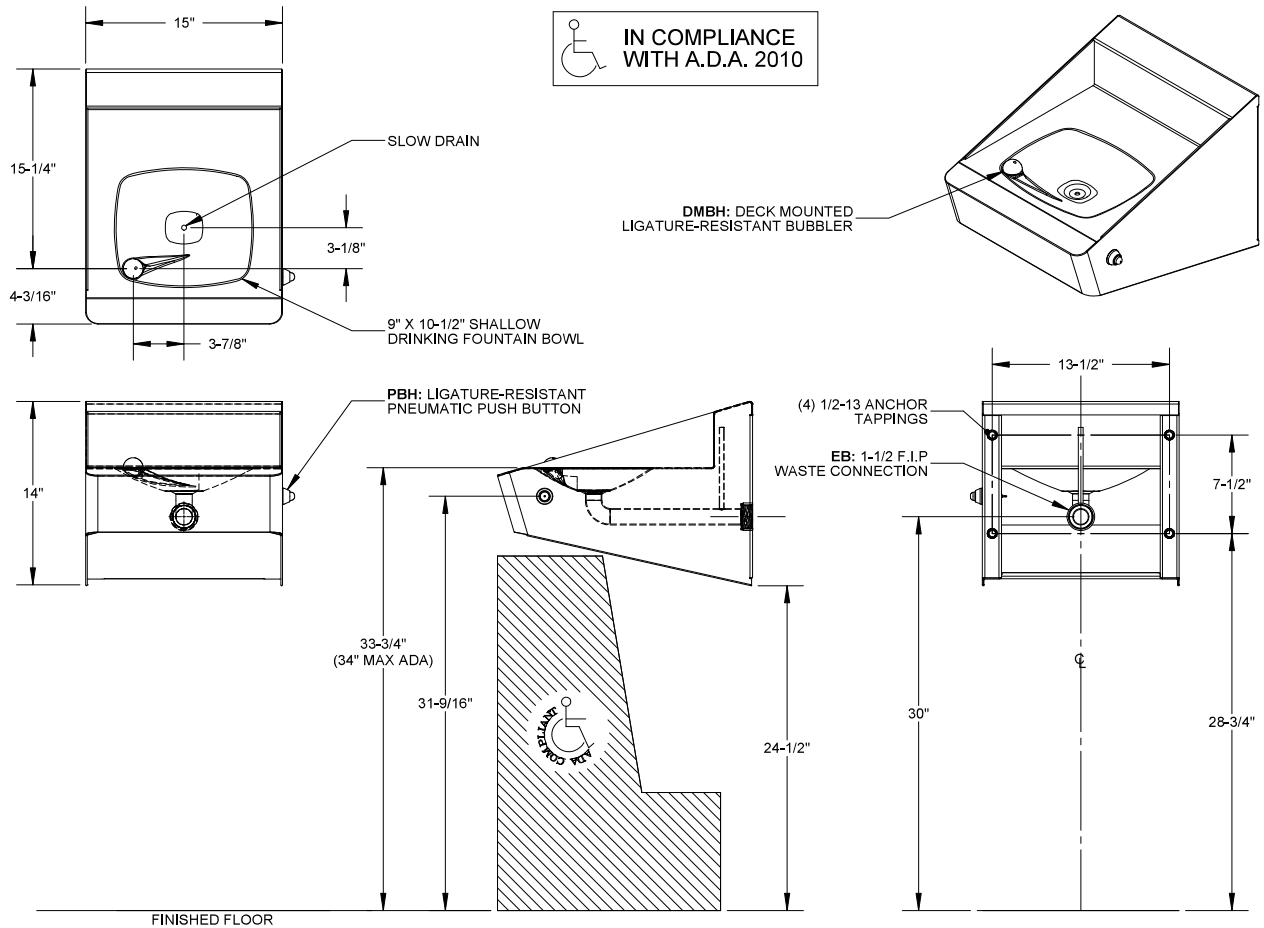
- EB Elbow Waste (Standard)

6.) Other Options:

- MT Wall Template
 WS Wall Sleeve (Requires Accessible Chase)
 Other: _____
 Other: _____

Approved For Manufacturing By: _____ Date: _____ Company: _____
 Wall Thickness: _____ Wall Type: _____

VERIFY ALL DIMENSIONS WITH FACTORY PRIOR TO ROUGH-IN
 WILLOUGHBY RESERVES THE RIGHT TO MAKE CHANGES IN DESIGN AND DIMENSIONS WITHOUT FORMAL NOTICE AND WITHOUT INCURRING OBLIGATION.

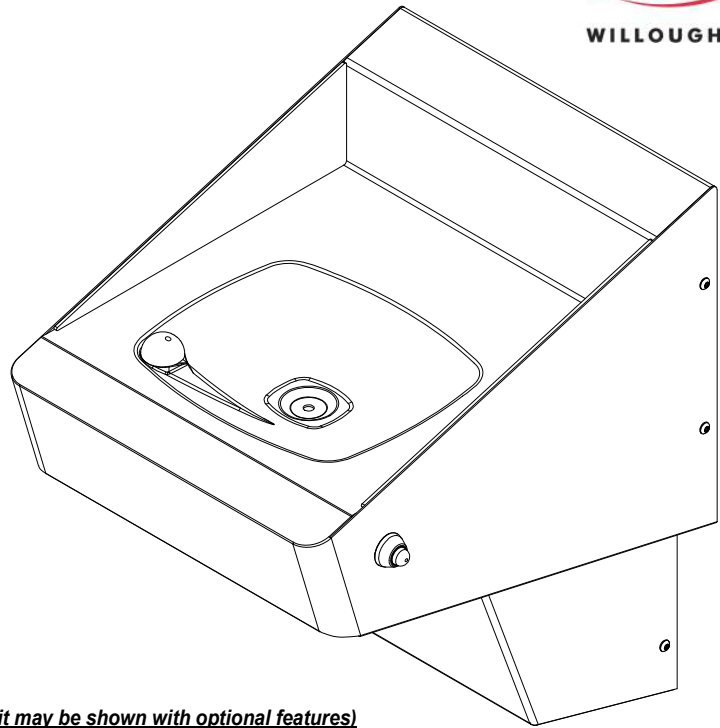


visit our website at www.willoughby-ind.com
 5105 West 78th Street • Indianapolis, IN. 46268
 (317) 875-0830 • Fax: (317) 875-0837 • (800) 428-4065



MADE IN THE U.S.A.

WBDF-1519-HC-FA Ligature-resistant Front Access Stainless Steel Behavioral Drinking Fountain



(Unit may be shown with optional features)

To specify fixture and accessories, use the Model Number and Options page.

Example: To specify a Ligature-resistant Front Access Stainless Steel Behavioral Drinking Fountain with ligature-resistant bubbler, single temp. non-metering pneumatic valve, ligature-resistant pneumatic push button, and removable P-trap waste

Use the following Willoughby Model Number:

WBDF-1519-HC-FA-DMBH-PSL1-PBH-RPT

Ligature-resistant Front Access Stainless Steel Behavioral Drinking Fountain shall be:

Willoughby Model No. **WBDF-1519-HC-FA**

(Select from model number and options list on next page)

Wall-hung angular profile fixture shall accommodate one user and is designed to minimize ligature points. Fixture shall be fabricated from 14GA./16GA. Type 304 stainless steel. The construction shall consist of an all-welded lavatory cabinet and all-welded trap enclosure, with exposed stainless surfaces polished to a #4 satin finish.

Standard drinking fountain shall include:

- Shallow bowl, 9" x 10-1/2"
- Stainless steel ligature-resistant bubble
- Slow drain w/ air vent
- Removable P-trap (1-1/2" F.I.P.)
- Angular profile with sloped top
- Removable trap enclosure attached with security screws

Vandal Resistance/Safety Features:

The bubbler, push buttons, and slow drain are non-removable from the user-side and are designed to minimize ligature points. Valve, water supplies, and waste connection are concealed within the trap enclosure. All exposed fasteners shall be vandal-resistant security type screws.

ADA, ANSI, and CBC Compliant:

When the drinking fountain is mounted at the standard adult rim height for fountains, it is designed to comply with all applicable ADA, ANSI (Z124.3 and Z124.6), and CBC (2013, Ch. 11B) accessibility guidelines.

Mounting:

Anchoring shall be from the front with mounting plate with anchoring holes. Unit does not require chase area for installation and maintenance; proper backing and anchoring hardware for drinking fountain mounting provided by others.

visit our website at www.willoughby-ind.com

5105 West 78th Street • Indianapolis, IN. 46268

(317) 875-0830 • Fax: (317) 875-0837 • (800) 428-4065



MADE IN THE U.S.A.

MODEL NUMBER AND OPTIONS:

1.) Base Model Number:

- WBDF-1519-HC-FA Ligature-resistant Front Access Stainless Steel Behavioral Drinking Fountain

2.) Bubblers Selection:

- DMBH Ligature-resistant Deck Mounted Bubbler (Standard)

3.) Valve Selection:

- PSL1 Single Temp. Pneumatic Non-metering (Standard)

4.) Push Button Selection:

- PBH Ligature-resistant Pneumatic Push Button (Standard)

5.) Drinking Fountain Waste:

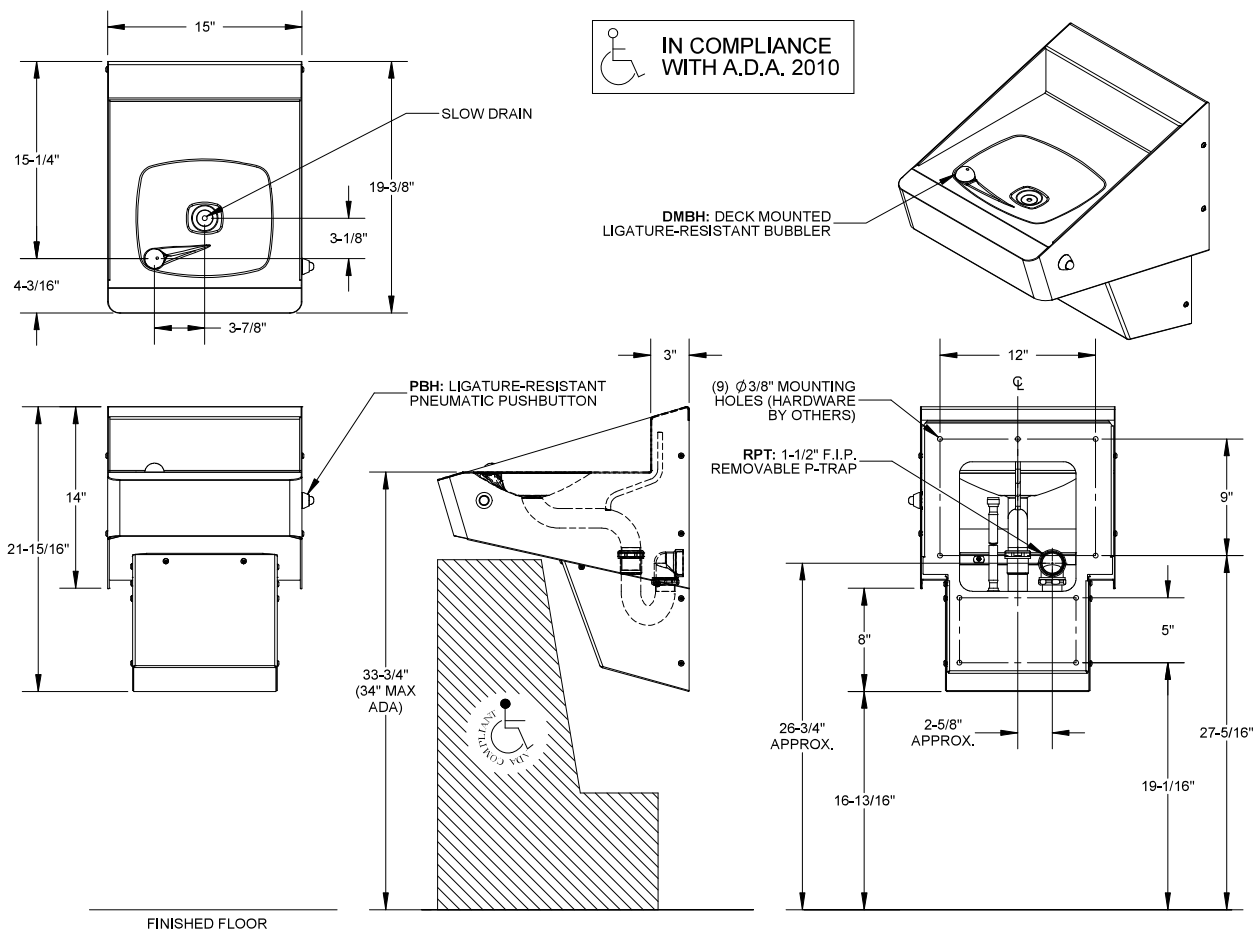
- RPT Removable P-trap (Standard)

6.) Other Options:

- MT Wall Template
 Other: _____
 Other: _____

Approved For Manufacturing By: _____ Date: _____ Company: _____
 Wall Thickness: _____ Wall Type: _____

VERIFY ALL DIMENSIONS WITH FACTORY PRIOR TO ROUGH-IN
 WILLOUGHBY RESERVES THE RIGHT TO MAKE CHANGES IN DESIGN AND DIMENSIONS WITHOUT FORMAL NOTICE AND WITHOUT INCURRING OBLIGATION.



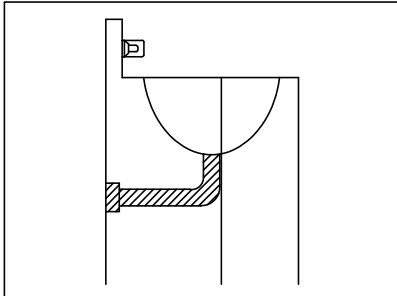
visit our website at www.willoughby-ind.com
 5105 West 78th Street • Indianapolis, IN. 46268
 (317) 875-0830 • Fax: (317) 875-0837 • (800) 428-4065



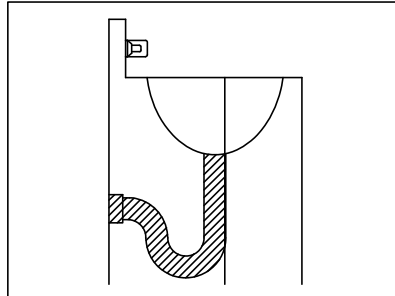
MADE IN THE U.S.A.

DRINKING FOUNTAIN WASTE

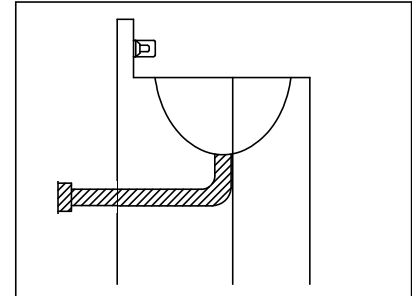
(SIMILAR LAV. WASTE OPTIONS SHOWN FOR REFERENCE)



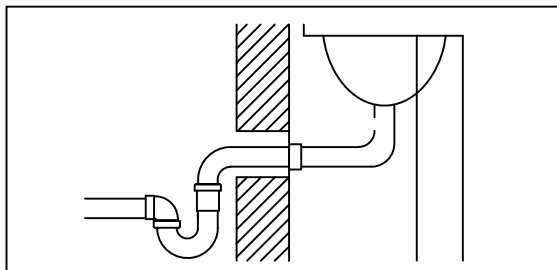
(EB)- ELBOW WASTE
(1-1/2" F.I.P.)



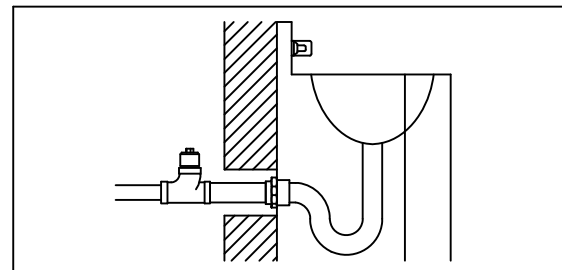
(PT)- INTEGRAL P-TRAP
(1-1/2" F.I.P.)



(LWE)- LAVATORY WASTE EXTENSION
(1-1/2" F.I.P.)



(LW1)- BRASS THRU-WALL EXTENSION P-TRAP
(FOR USE W/ (EB) ELBOW WASTE)



(LW2)- BRASS THRU-WALL EXTENSION P-TRAP
(FOR USE W/ (PT) INTEGRAL 'P'-TRAP)

visit our website at www.willoughby-ind.com

5105 West 78th Street • Indianapolis, IN. 46268

(317) 875-0830 • Fax: (317) 875-0837 • (800) 428-4065



MADE IN THE U.S.A.



(Page Intentionally Left Blank)

visit our website at www.willoughby-ind.com

5105 West 78th Street • Indianapolis, IN. 46268

(317) 875-0830 • Fax: (317) 875-0837 • (800) 428-4065



MADE IN THE U.S.A.



ETW-1490-CM-RPF Replacement Carrier Mounted Blowout Series Water Closet



Recommended Specifications

(Unit may be shown with optional features)

Replacement, Carrier Mounted, Blowout Series Toilet shall be: Willoughby Model No. **ETW-1490-CM-RPF**

Fixture shall be fabricated from 14 GA, Type 304 stainless steel. The construction shall be an all welded, with exposed stainless surfaces polished to a #3 satin finish.

Standard toilet shall include: elongated toilet bowl with contoured seat, integral crevice-free self-draining flushing rim with positive afterfill and fully enclosed 3" O.D. trap which shall maintain a minimum 2" seal and pass a 2-5/8" ball. Toilet shall be blowout type which requires 35 psi minimum flushing pressure.

Fixture shall withstand loadings up to 2,000 lbs. with no measurable deflection and loadings up to 5,000 lbs. with no permanent damage.

Anchoring shall be by standard 3-bolt blowout carrier (carrier and fasteners by others). Back spud unit shall require chase area for installation and maintenance.

Note: For 1.6 gallon flush, unit will pass a 2-1/8" ball.

On back to back fixture installations, do not use standard cross type waste fittings: cross flow may result due to blowout jet action. Use sanitary or offset type waste fittings.

✓	MANUFACTURER	MODEL #	V	W	X	Y	Z
	AMERICAN STANDARD	2509.057	3-1/2"	11-1/4"	11-3/4"	15 1/4"	5"
		2510.048	3-1/2"	11-1/4"	11-3/4"	15 1/4"	N/A
		2511.012	3-1/2"	11-1/4"	11-3/4"	15 1/4"	5"
		2512.010	3-1/2"	11-1/4"	11-3/4"	15 1/4"	N/A
		2513.018	3-1/2"	11-1/4"	11-3/4"	15 1/4"	5"
		2515.013	3-1/2"	11-1/4"	11-3/4"	15 1/4"	5"
	CRANE	3-460	3-1/2"	11-1/4"	12-1/4"	15 3/4"	N/A
		3-462	3-1/2"	11-1/4"	12-1/4"	15 3/4"	4-3/4"
		3-462E	3-1/2"	11-1/4"	12-1/4"	15 3/4"	4-3/4"
		3-464	3-1/2"	11-1/4"	12-1/4"	15 3/4"	4-3/4"
		3-464E	3-1/2"	11-1/4"	12-1/4"	15 3/4"	4-3/4"
	ELGER	111-0355	3-1/2"	11-1/4"	11-1/2"	15"	N/A
		111-0365	3-1/2"	11-1/4"	11-1/2"	15"	5"
		111-0377	3-1/2"	11-1/4"	11-1/2"	15"	5"
	KOHLER	K-4450-ET	3-1/2"	11-1/4"	11"	14-1/2"	N/A
		K-4460-ER	3-1/2"	11-1/4"	11"	14-1/2"	5 1/2"
		K-4475-ER	3-1/2"	11-1/4"	11"	14-1/2"	5 1/2"
		K-4450-C	4"	11-3/4"	11"	15"	N/A
		K-4460-C	4"	11-3/4"	11"	15"	5 1/2"
		K-4475-C	4"	11-3/4"	11"	15"	5 1/2"
	SUPER SECUR	A-300	3-1/2"	11-1/4"	11-1/4"	14-3/4"	5-1/4"

visit our website at www.willoughby-ind.com
5105 West 78th Street • Indianapolis, IN. 46268
(317) 875-0830 • Fax: (317) 875-0837 • (800) 428-4065



MADE IN THE U.S.A.

MODEL NUMBER AND OPTIONS:

1.) Base Model Number:

- ETW-1490-CM-RPF Replacement, Carrier Mounted, Blowout Series Toilet

2.) Inlet Location:

- BS Back Spud
 TS Top Spud

3.) Flush Valve GPF (Must Specify):

- 1.28 GPF HET
 1.6 GPF ULF (Standard)
 3.5 GPF (3" waste tube required)

4.) Toilet Waste:

- GWC Gasketed Waste Connection (Standard)

5.) Other Options:

- T4 Manual Reset Toilet Overflow Preventer, Requires: (FV) Hydraulic Flush Valve and Accessible Chase
 T4A Auto Reset Toilet Overflow Preventer, Requires: (FV) Hydraulic Flush Valve and Accessible Chase
 ET4 Electronic Toilet Overflow Preventer*, Requires (EFV), Accessible Chase, & (WUCC-3010) or (WMSII) control
 FV Hydraulic Flush Valve (Includes Actuator)
 EFV Electronic Flush Valve (Pick Control)*
 EFVP Electronic Flush Valve w/ (PZPB) Piezo Push Button (Pick Control)*
 FVT Flush Valve Connection (Back Spud Only)

[CONTINUED IN NEXT COLUMN:]

[Other Options CONTINUED:]

- ASFVC Flush Valve Cover (Ligature-resistant, Top Spud Only)
 ASFVCADA Ligature-resistant ADA Flush Valve Cover (Top Spud Only)
 AP Flush Valve Access Panel (Allows access to chase-mounted flush valve from fixture side)
 HS Hinged White Plastic Seat (No Cover, not recommended for Maximum Security/Ligature-resistant use)
 DC Decorator Color (Fixture exterior only - White)
 TF24H Hard-wired Transformer, 110VAC to 24VAC*
 TF24P Plug-in Transformer, 110VAC to 24VAC*
 HPS High Polish Seat
 TSC Toilet Shipping Cover
 RTH1 Wall Mounted Recessed Tissue Holder (Rear Mounted, Requires Accessible Chase)
 RTH2 Wall Mounted Recessed Tissue Holder (Front Mounted, 4-1/2" Depth)
 Other _____
 Other _____

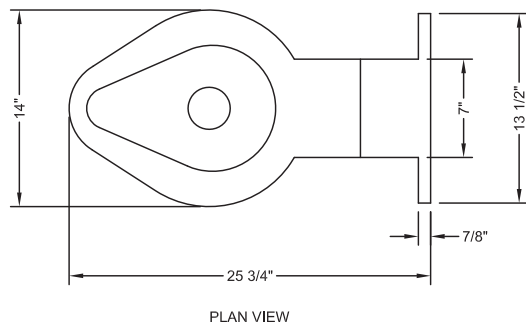
6.) Electronic Controls* (Must Use Electronic Flush Valve):

- WUFC-4000 Pneutronic WMSII
 WUCC-3010 (Select WUCC-3010 Control if pairing a Toilet with a Lavatory or if the Toilet is selected with an (ET4) overflow option)

*(Req. 110V power through ground fault interrupter (GFCI) receptacle)

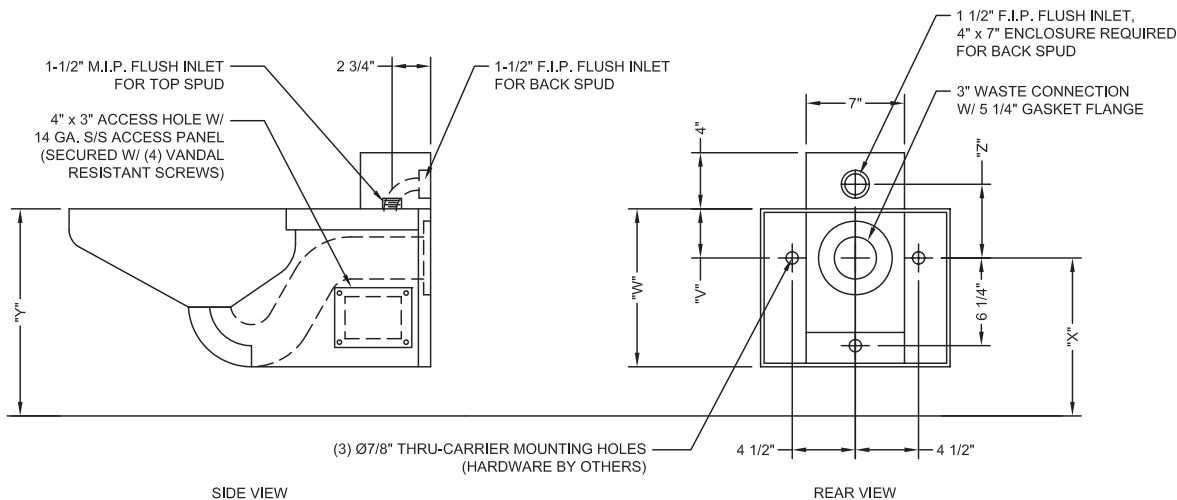
Approved For Manufacturing By: _____ Date: _____ Company: _____
 Wall Thickness: _____ Wall Type: _____

VERIFY ALL DIMENSIONS WITH FACTORY PRIOR TO ROUGH-IN
 WILLOUGHBY RESERVES THE RIGHT TO MAKE CHANGES IN DESIGN AND DIMENSIONS WITHOUT FORMAL NOTICE AND WITHOUT INCURRING OBLIGATION.



3.5 GPF UNIT SHOWN

NOTE: 1.6 GPF UNIT WILL HAVE 2-1/2" O.D. WASTE TUBE



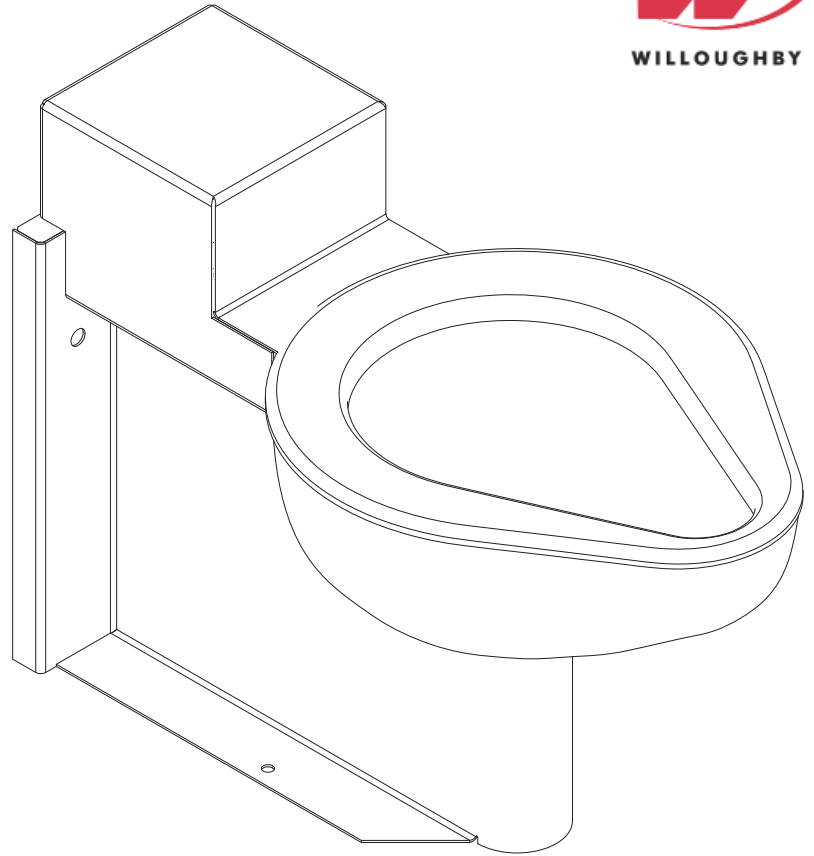
visit our website at www.willoughby-ind.com
 5105 West 78th Street • Indianapolis, IN. 46268
 (317) 875-0830 • Fax: (317) 875-0837 • (800) 428-4065



MADE IN THE U.S.A.



ETW-1490-FM-RPF Replacement Floor Mounted Blowout Series Water Closet



Recommended Specifications

(Unit may be shown with optional features)

Replacement, Floor Mounted, Blowout Series Toilet shall be: Willoughby Model No. **ETW-1490-FM-RPF**

Fixture shall be fabricated from 14 GA, Type 304 stainless steel. The construction shall be an all welded, with exposed stainless surfaces polished to a #3 satin finish.

Standard toilet shall include: elongated toilet bowl with contoured seat, integral crevice-free self-draining flushing rim with positive afterfill and fully enclosed 3" O.D. trap which shall maintain a minimum 2" seal and pass a 2-5/8" ball. Toilet shall be blowout type which requires 35 psi minimum flushing pressure.

Fixture shall withstand loadings up to 2,000 lbs. with no measurable deflection and loadings up to 5,000 lbs. with no permanent damage.

Anchoring shall be through the front and through the floor (anchoring hardware provided by others). Back spud unit shall require chase area for installation and maintenance.

Note: For 1.6 gallon flush, unit will pass a 2-1/8" ball.

On back to back fixture installations, do not use standard cross type waste fittings: cross flow may result due to blowout jet action. Use sanitary or offset type waste fittings.

✓	MANUFACTURER	MODEL #	A	B	C	D
	KOHLER	4480ER	11"	5-1/2"	9"	6-1/2"
	AMERICAN STANDARD	2516.037	10-1/4"	6"	10"	6-3/4"
	SUPER SECUR	A-100	10-1/4"	6-1/4"	10"	6-3/4"
	ELJER	111-0580	10"	6"	10"	6-3/4"
	CRANE	3-487	11"	5-1/2"	S	S

S = SPECIFY

visit our website at www.willoughby-ind.com

5105 West 78th Street • Indianapolis, IN. 46268

(317) 875-0830 • Fax: (317) 875-0837 • (800) 428-4065



MADE IN THE U.S.A.

MODEL NUMBER AND OPTIONS:

1.) Base Model Number:

- ETW-1490-FM-RPF Replacement, Floor Mounted, Blowout Series Toilet

2.) Inlet Location:

- BS Back Spud
- TS Top Spud

3.) Flush Valve GPF (Must Specify):

- 1.28 GPF HET
- 1.6 GPF ULF (Standard)
- 3.5 GPF (3" waste tube required)

4.) Toilet Waste:

- GWC Gasketed Waste Connection (Standard)

5.) Other Options:

- T4 Manual Reset Toilet Overflow Preventer, Requires: (FV) Hydraulic Flush Valve and Accessible Chase
- T4A Auto Reset Toilet Overflow Preventer, Requires: (FV) Hydraulic Flush Valve and Accessible Chase
- ET4 Electronic Toilet Overflow Preventer*, Requires (EFV), Accessible Chase, & (WUCC-3010) or (WMSII) control
- FV Hydraulic Flush Valve (Includes Actuator)
- EFV Electronic Flush Valve (Pick Control)*
- EFVP Electronic Flush Valve w/ (PZPB) Piezo Push Button (Pick Control)*
- FVT Flush Valve Connection (Back Spud Only)

[CONTINUED IN NEXT COLUMN:]

[Other Options CONTINUED:]

- ASFVC Flush Valve Cover (Ligature-resistant, Top Spud Only)
- ASFVCADA Ligature-resistant ADA Flush Valve Cover (Top Spud Only)
- AP Flush Valve Access Panel (Allows access to chase mounted flush valve from fixture side)
- HS Hinged White Plastic Seat (No Cover, not recommended for Maximum Security/Ligature-resistant use)
- DC Decorator Color (Fixture exterior only - White)
- TF24H Hard-wired Transformer, 110VAC to 24VAC*
- TF24P Plug-in Transformer, 110VAC to 24VAC*
- HPS High Polish Seat
- TSC Toilet Shipping Cover
- RTH1 Wall Mounted Recessed Tissue Holder (Rear Mounted, Requires Accessible Chase)
- RTH2 Wall Mounted Recessed Tissue Holder (Front Mounted, 4-1/2" Depth)
- Other _____
- Other _____

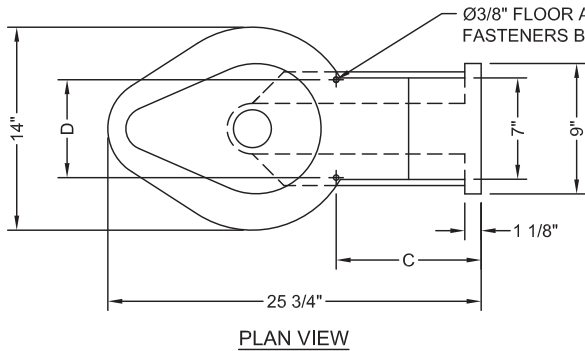
6.) Electronic Controls* (Must Use Electronic Flush Valve):

- WUFC-4000 Pneutronic WMSII
- WUCC-3010 (Select WUCC-3010 Control if pairing a Toilet with a Lavatory or if the Toilet is selected with an (ET4) overflow option)

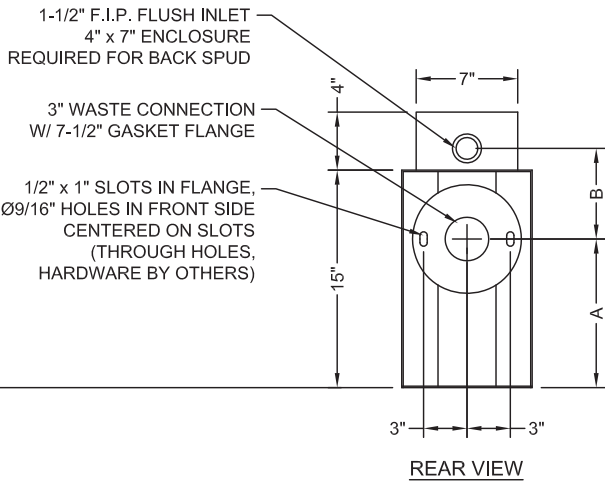
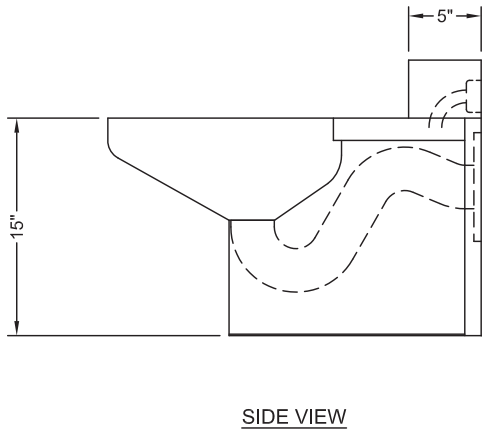
*(Req. 110V power through ground fault interrupter (GFCI) receptacle)

Approved For Manufacturing By: _____ Date: _____ Company: _____
 Wall Thickness: _____ Wall Type: _____

VERIFY ALL DIMENSIONS WITH FACTORY PRIOR TO ROUGH-IN
 WILLOUGHBY RESERVES THE RIGHT TO MAKE CHANGES IN DESIGN AND DIMENSIONS WITHOUT FORMAL NOTICE AND WITHOUT INCURRING OBLIGATION.



3.5 GPF UNIT SHOWN
 NOTE: 1.6 GPF UNIT WILL HAVE 2-1/2" O.D. WASTE TUBE



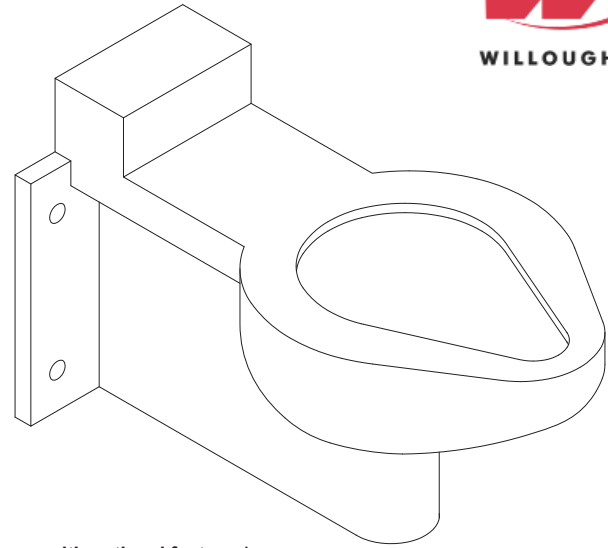
visit our website at www.willoughby-ind.com
 5105 West 78th Street • Indianapolis, IN. 46268
 (317) 875-0830 • Fax: (317) 875-0837 • (800) 428-4065



MADE IN THE U.S.A.



ETWS-1490-CM-RPF Replacement Carrier Mounted Siphon Jet Series Water Closet



Recommended Specifications

(Unit may be shown with optional features)

Replacement, Carrier Mounted, Siphon Jet Series Toilet shall be: Willoughby Model No. **ETWS-1490-CM-RPF**

Fixture shall be fabricated from 14 GA, Type 304 stainless steel. The construction shall be an all welded, with exposed stainless surfaces polished to a #3 satin finish.

Standard toilet shall include: elongated toilet bowl with contoured seat, integral crevice-free self-draining flushing rim with positive afterfill and fully enclosed 3" O.D. trap which shall maintain a minimum 2" seal and pass a 2-5/8" ball. Toilet shall be siphon jet type which requires 35 psi minimum flushing pressure.

Fixture shall withstand loadings up to 2,000 lbs. with no measurable deflection and loadings up to 5,000 lbs. with no permanent damage.

Anchoring shall be by standard 4 bolt siphon jet carrier (carrier and fasteners by others).

Note: For 1.6 gallon flush, unit will pass a 2-1/8" ball.

On back to back fixture installations, do not use standard cross type waste fittings: cross flow may result due to blowout jet action. Use sanitary or offset type waste fittings.

✓	MANUFACTURER	MODEL #	X	Y	Z
	AMERICAN STANDARD	2093.100	4-1/8"	14-1/2"	N/A
		2254.127	5-1/4"	15"	11"
		2256.194	5-1/4"	15"	—
		2257.103	5-1/4"	15"	—
		2258.125	5-1/4"	15"	11"
		2294.011	5-1/4"	16-1/8"	N/A
		2296.019	5-1/4"	16-1/8"	N/A
		2324.100	—	—	—
		2477.016	5-1/4"	14-3/4"	—
		2478.014	5-1/4"	14-3/4"	11"
		2500.015	5-1/4"	14-3/4"	11"
		2502.011	5-1/4"	14-3/4"	—
		ELJER	111-1405	5-1/4"	14-3/4"
	111-1405E		5-1/4"	15"	—
	111-1413E		5-1/4"	15"	—
	111-1425		5-1/4"	14-3/4"	7-3/4"
	111-1425E		5-1/4"	15"	7-3/4"
	111-1455		5-1/4"	14-3/4"	—
	111-1475		5-1/4"	14-3/4"	7-3/4"
	111-1505		5-1/4"	15"	—
	111-1513		5-1/4"	15"	—
	111-2105		5-1/4"	15"	—
	111-2110		5-1/4"	15"	7-3/4"
	111-2113		5-1/4"	15"	—
	111-2118		5-1/4"	15"	7-3/4"
	111-2405E	5-1/4"	15"	—	
	111-2425E	5-1/4"	15"	11-3/4"	
	CRANE	3-217	4"	16-1/2"	—
		3-446	5-1/2"	14-3/4"	—
		3-446E	5-1/2"	15-1/2"	—
		3-449	5-1/2"	14-3/4"	9"
		3-449E	5-1/2"	15-1/2"	—
		3-445	5-1/2"	17"	—
		3H-445	5-1/2"	17"	—
		3H-722E	5-1/2"	15-3/8"	—
		KOHLER	K-4430-ET	5"	14-3/4"
	K-4432-ER		5"	15"	10"
	K-4330		5"	15"	—

visit our website at www.willoughby-ind.com
5105 West 78th Street • Indianapolis, IN. 46268
(317) 875-0830 • Fax: (317) 875-0837 • (800) 428-4065



MADE IN THE U.S.A.

MODEL NUMBER AND OPTIONS:

1.) Base Model Number:

- ETWS-1490-CM-RPF Replacement, Carrier Mounted, Siphon Jet Series Toilet

2.) Inlet Location:

- BS Back Spud
- TS Top Spud

3.) Flush Valve GPF (Must Specify):

- 1.28 GPF HET
- 1.6 GPF ULF (Standard)
- 3.5 GPF (3" waste tube required)

4.) Toilet Waste:

- GWC Gasketed Waste Connection (Standard)

5.) Other Options:

- T4 Manual Reset Toilet Overflow Preventer, Requires: (FV) Hydraulic Flush Valve and Accessible Chase
- T4A Auto Reset Toilet Overflow Preventer, Requires: (FV) Hydraulic Flush Valve and Accessible Chase
- ET4 Electronic Toilet Overflow Preventer*, Requires (EFV), Accessible Chase, & (WUCC-3010) or (WMSII) control
- FV Hydraulic Flush Valve (Includes Actuator)
- EFV Electronic Flush Valve (Pick Control)*
- EFVP Electronic Flush Valve w/ (PZPB) Piezo Push Button (Pick Control)*
- FVT Flush Valve Connection (Back Spud Only)

[CONTINUED IN NEXT COLUMN:]

[Other Options CONTINUED:]

- ASFVC Flush Valve Cover (Ligature-resistant, Top Spud Only)
- ASFVCADA Ligature-resistant ADA Flush Valve Cover (Top Spud Only)
- AP Flush Valve Access Panel (Allows access to chase-mounted flush valve from fixture side)
- HS Hinged White Plastic Seat (No Cover, not recommended for Maximum Security/Ligature-resistant use)
- DC Decorator Color (Fixture exterior only - White)
- TF24H Hard-wired Transformer, 110VAC to 24VAC*
- TF24P Plug-in Transformer, 110VAC to 24VAC*
- HPS High Polish Seat
- TSC Toilet Shipping Cover
- RTH1 Wall Mounted Recessed Tissue Holder (Rear Mounted, Requires Accessible Chase)
- RTH2 Wall Mounted Recessed Tissue Holder (Front Mounted, 4-1/2" Depth)
- Other _____
- Other _____

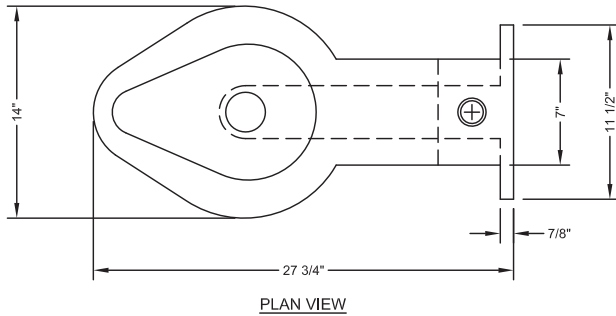
6.) Electronic Controls* (Must Use Electronic Flush Valve):

- WUFC-4000 Pneutronic WMSII
- WUCC-3010 (Select WUCC-3010 Control if pairing a Toilet with a Lavatory or if the Toilet is selected with an (ET4) overflow option)

* (Req. 110V power through ground fault interrupter (GFCI) receptacle)

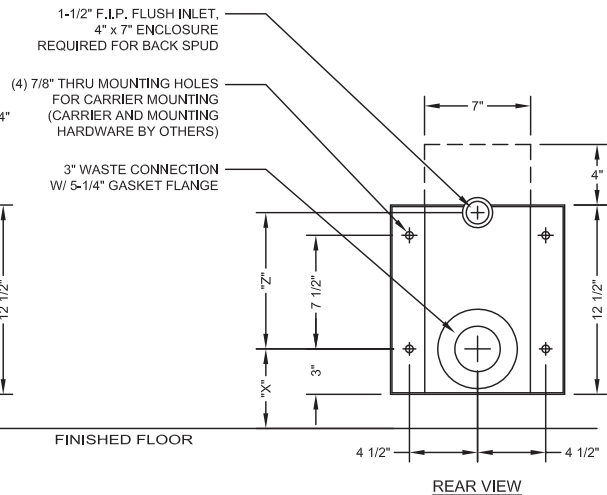
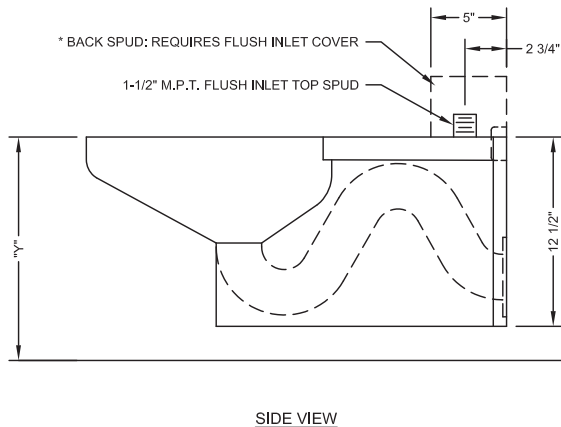
Approved For Manufacturing By: _____ Date: _____ Company: _____
 Wall Thickness: _____ Wall Type: _____

VERIFY ALL DIMENSIONS WITH FACTORY PRIOR TO ROUGH-IN
 WILLOUGHBY RESERVES THE RIGHT TO MAKE CHANGES IN DESIGN AND DIMENSIONS WITHOUT FORMAL NOTICE AND WITHOUT INCURRING OBLIGATION.



3.5 GPF UNIT SHOWN

NOTE: 1.6 GPF UNIT WILL HAVE 2-1/2" O.D. WASTE TUBE



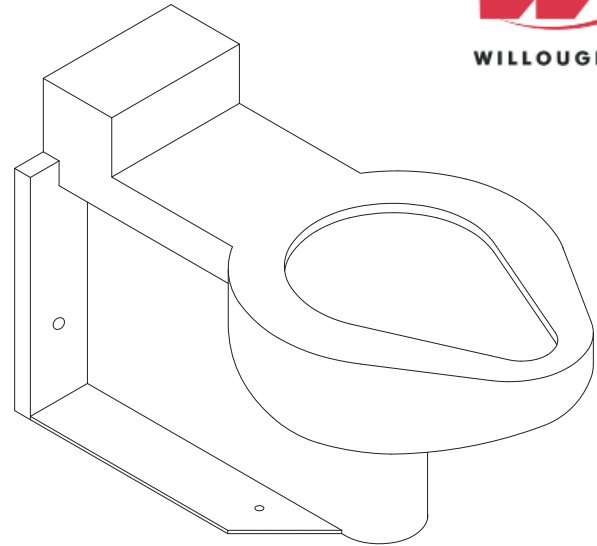
visit our website at www.willoughby-ind.com
 5105 West 78th Street • Indianapolis, IN. 46268
 (317) 875-0830 • Fax: (317) 875-0837 • (800) 428-4065



MADE IN THE U.S.A.



ETWS-1490-FM-RPF Replacement Floor Mounted Siphon Jet Series Water Closet



Recommended Specifications

(Unit may be shown with optional features)

Replacement, Floor Mounted, Siphon Jet Series Toilet shall be: Willoughby Model No. **ETWS-1490-FM-RPF**

Fixture shall be fabricated from 14 GA, Type 304 stainless steel. The construction shall be an all welded, with exposed stainless surfaces polished to a #3 satin finish.

Standard toilet shall include: elongated toilet bowl with contoured seat, integral crevice-free self-draining flushing rim with positive afterfill and fully enclosed 3" O.D. trap which shall maintain a minimum 2" seal and pass a 2-5/8" ball. Toilet shall be siphon jet type which requires 35 psi minimum flushing pressure.

Fixture shall withstand loadings up to 2,000 lbs. with no measurable deflection and loadings up to 5,000 lbs. with no permanent damage.

Anchoring shall be through the front and through the floor (anchoring hardware provided by others). Back spud unit shall require chase area for installation and maintenance.

Note: For 1.6 gallon flush, unit will pass a 2-1/8" ball.

On back to back fixture installations, do not use standard cross type waste fittings: cross flow may result due to siphon jet action. Use sanitary or offset type waste fittings.

	MANUFACTURER	MODEL #	A	B	C	D
	KOHLER	K4398	4-1/2"	13-1/8"	14"	6-1/2"
		K4486-ET	4-1/2"	—	14"	6-1/2"
		K4498-ER	4-1/2"	13"	14"	6-1/2"
	CRANE	3-480	4-1/2"	—	11-3/4"	8"
		3-480E	4-1/2"	—	—	—
		3-481	4-1/2"	13"	11-3/4"	8"
		3-481E	4-1/2"	13"	—	—
		3-484E	4-1/2"	13"	—	—
	AMERICAN STANDARD	2529.014	4-1/4"	—	10-3/8"	5-1/2"
		2530.012	4-1/4"	13-1/8"	10-3/8"	5-1/2"
		2320.100	4"	N/A	12-3/4"	6"
		2529.016	4-1/4"	—	10-1/2"	5-1/2"
		2530.016	4-1/4"	13-1/8"	10-1/2"	5-1/2"
		2531.016	4-1/4"	13-1/8"	10-1/2"	5-1/2"
	ELJER	111-0505	4-1/2"	—	TOE CLAMPS	
		111-0505E	4-1/2"	—	TOE CLAMPS	
		111-0515	4-1/2"	13"	TOE CLAMPS	
		111-0515E	4-1/2"	—	TOE CLAMPS	
	SUPER SECUR	A-104	4-1/4"	14-1/2"	18"	6-3/4"

visit our website at www.willoughby-ind.com

5105 West 78th Street • Indianapolis, IN. 46268

(317) 875-0830 • Fax: (317) 875-0837 • (800) 428-4065



MADE IN THE U.S.A.

MODEL NUMBER AND OPTIONS:

1.) Base Model Number:

- ETWS-1490-FM-RPF Replacement, Floor Mounted, Siphon Jet Series Toilet

2.) Inlet Location:

- BS Back Spud
 TS Top Spud

3.) Flush Valve GPF (Must Specify):

- 1.28 GPF HET
 1.6 GPF ULF (Standard)
 3.5 GPF (3" waste tube required)

4.) Toilet Waste:

- GWC Gasketed Waste Connection (Standard)

5.) Other Options:

- T4 Manual Reset Toilet Overflow Preventer, Requires: (FV) Hydraulic Flush Valve and Accessible Chase
- T4A Auto Reset Toilet Overflow Preventer, Requires: (FV) Hydraulic Flush Valve and Accessible Chase
- ET4 Electronic Toilet Overflow Preventer*, Requires (EFV), Accessible Chase, & (WUCC-3010) or (WMSII) control
- FV Hydraulic Flush Valve (Includes Actuator)
- EFV Electronic Flush Valve (Pick Control)*
- EFVP Electronic Flush Valve w/ (PZPB) Piezo Push Button (Pick Control)*
- FVT Flush Valve Connection (Back Spud Only)

[CONTINUED IN NEXT COLUMN:]

[Other Options CONTINUED:]

- ASFVC Flush Valve Cover (Ligature-resistant, Top Spud Only)
- ASFVCADA Ligature-resistant ADA Flush Valve Cover (Top Spud Only)
- AP Flush Valve Access Panel (Allows access to chase-mounted flush valve from fixture side)
- HS Hinged White Plastic Seat (No Cover, not recommended for Maximum Security/Ligature-resistant use)
- DC Decorator Color (Fixture exterior only - White)
- TF24H Hard-wired Transformer, 110VAC to 24VAC*
- TF24P Plug-in Transformer, 110VAC to 24VAC*
- HPS High Polish Seat
- TSC Toilet Shipping Cover
- RTH1 Wall Mounted Recessed Tissue Holder (Rear Mounted, Requires Accessible Chase)
- RTH2 Wall Mounted Recessed Tissue Holder (Front Mounted, 4-1/2" Depth)
- Other _____
- Other _____

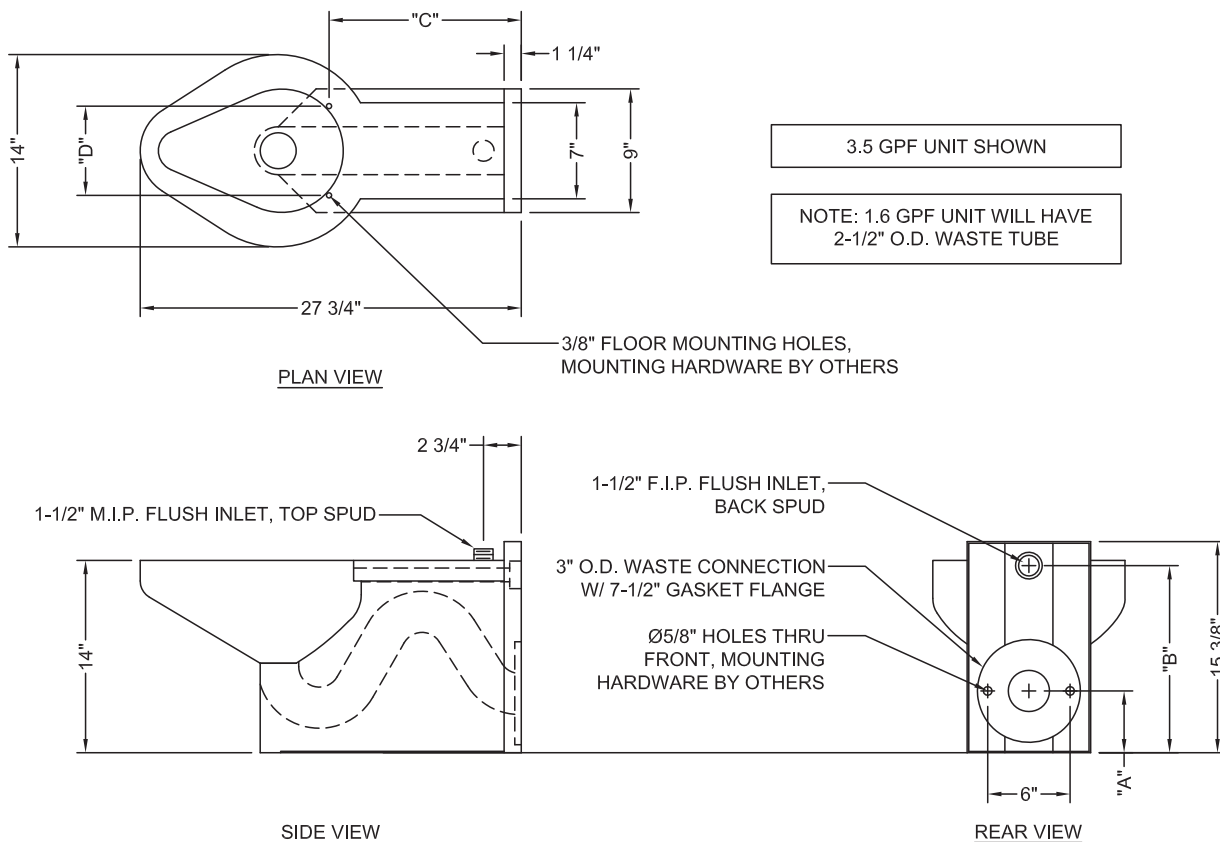
6.) Electronic Controls* (Must Use Electronic Flush Valve):

- WUFC-4000 Pneutronic WMSII
- WUCC-3010 (Select WUCC-3010 Control if pairing a Toilet with a Lavatory or if the Toilet is selected with an (ET4) overflow option)

* (Req. 110V power through ground fault interrupter (GFCI) receptacle)

Approved For Manufacturing By: _____ Date: _____ Company: _____
 Wall Thickness: _____ Wall Type: _____

VERIFY ALL DIMENSIONS WITH FACTORY PRIOR TO ROUGH-IN
 WILLOUGHBY RESERVES THE RIGHT TO MAKE CHANGES IN DESIGN AND DIMENSIONS WITHOUT FORMAL NOTICE AND WITHOUT INCURRING OBLIGATION.

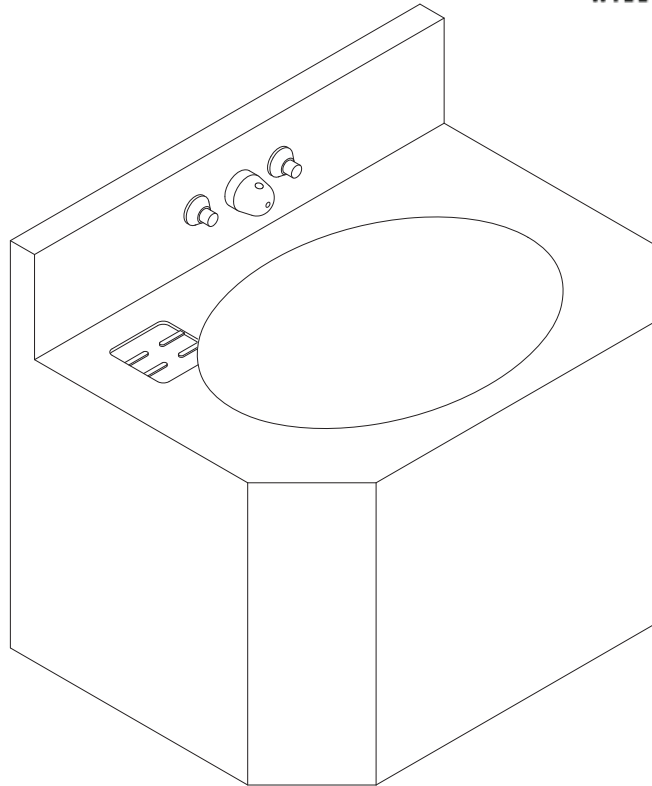


visit our website at www.willoughby-ind.com
 5105 West 78th Street • Indianapolis, IN. 46268
 (317) 875-0830 • Fax: (317) 875-0837 • (800) 428-4065



MADE IN THE U.S.A.

HS-1013-96-RPF Replacement 18" Wide Lavatory



(Unit may be shown with optional features)

Recommended Specifications

Replacement 18" Wide Lavatory shall be:
Willoughby Model No. **HS-1013-96-RPF**

Fixture shall be fabricated from 14 GA, Type 304 stainless steel. The construction shall be all welded, with exposed stainless surfaces polished to a #3 satin finish.

Standard lavatory shall include: oval-shaped bowl, 13" x 9-1/2" x 6" deep, stainless steel penal filler/bubbler, fast drain with air vent, elbow waste (1-1/2" F.I.P.) and self-draining soap dish.

Cabinet interior shall be sound deadened with fire-resistant material.

Anchoring shall be by standard 4-point system: threaded rods, nuts and washers shall be furnished for walls up to 8" thick. Unit shall require chase area for installation and maintenance.

visit our website at www.willoughby-ind.com

5105 West 78th Street • Indianapolis, IN. 46268
(317) 875-0830 • Fax: (317) 875-0837 • (800) 428-4065



MADE IN THE U.S.A.

MODEL NUMBER AND OPTIONS:

1.) Base Model Number:

- HS-1013-96-RPF Replacement 18" Wide Lavatory

2.) Bubbler or Spout Selection:

- BP Penal Bubbler/Filler
 BC Code Bubbler/Filler
 BPH Ligature-resistant Bubbler/Filler
 FL Lavatory Filler
 FLH Ligature-resistant Lavatory Filler

3.) Lavatory Valve Selection:

- NV No Valve (Select Hole Punching if needed)
 PSL1 Single Temp. Pneumatic Non-metering
 PSL2 Dual Temp. Pneumatic Non-metering
 PML1 Single Temp. Pneumatic Metering
 PML2 Dual Temp. Pneumatic Metering
 E1L1 Single Temp. Electronic (pick control)*
 E1L2 Dual Temp. Electronic (pick control)*

Valve Manifold Options:

Pneumatic or Electronic Only:

- MA2 MA3 MA4

4.) Lavatory Valve Actuation:

- PPB Pneumatic Push Buttons
 PBH Ligature-resistant Push Buttons
 EPB Electronic Push Buttons*
 EPBH Ligature-resistant Electronic Push Buttons*
 PZPB Piezo Push Buttons*

5.) Electronic Controls* (Must Use Electronic Push Button):

- WUCC-3010 Pneutronic WMSII
 (The WUCC-3010 Control can be used to pair a Sink with a Toilet)

6.) Push Button Hole Punching:

If Less-Lavatory Valve, please specify push button hole sizes and locations on fixture backplash:
 SP: _____

7.) Lavatory Waste:

- EB Elbow Waste (Standard)
 PT Integral 'P'-Trap
 LWL Lavatory Waste Extension
 SLOW Slow Drain
 LW1 Thru-Wall Extension, 'P'-Trap
 LW2 Thru-Wall Extension and Clean-Out (Use w/"PT" Option)

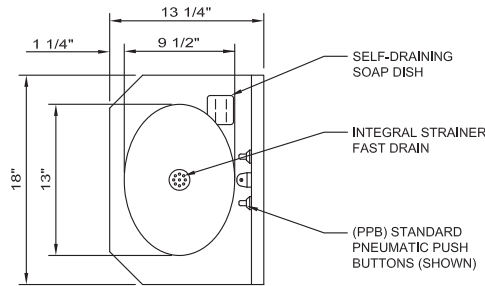
8.) Options:

- MT Wall Template
 TB1 Single Toothbrush Holder
 Right Left
 TB2 Dual Toothbrush Holder
 Right Left
 TH1 Single Towel Hook
 Right Left
 TH2 Dual Towel Hook
 Right Left
 ISH Integral Shelf
 VG Ventilation Grille (Specify Location and Free Area)
 TF24H Hard-wired Transformer, 110VAC to 24VAC*
 TF24P Plug-in Transformer, 110VAC to 24VAC*
 Other: _____
 Other: _____

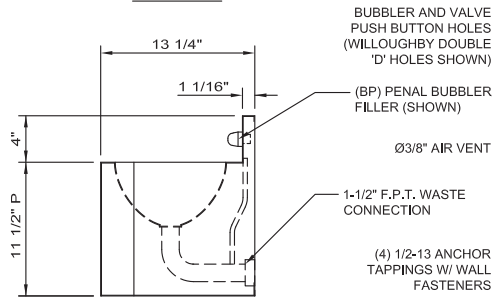
*(Req. 110V power through ground fault interrupter (GFCI) receptacle)

Approved For Manufacturing By: _____ Date: _____ Company: _____
 Wall Thickness: _____ Wall Type: _____

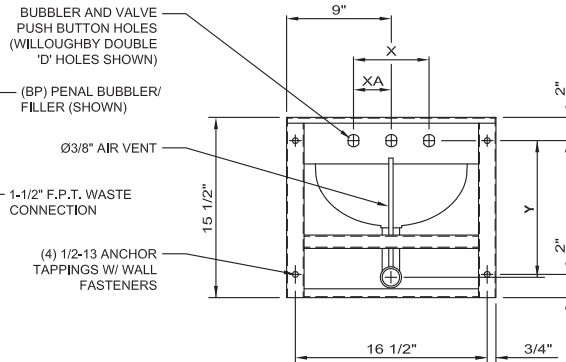
VERIFY ALL DIMENSIONS WITH FACTORY PRIOR TO ROUGH-IN
 WILLOUGHBY RESERVES THE RIGHT TO MAKE CHANGES IN DESIGN AND DIMENSIONS WITHOUT FORMAL NOTICE AND WITHOUT INCURRING OBLIGATION.



PLAN VIEW



SIDE VIEW



REAR VIEW

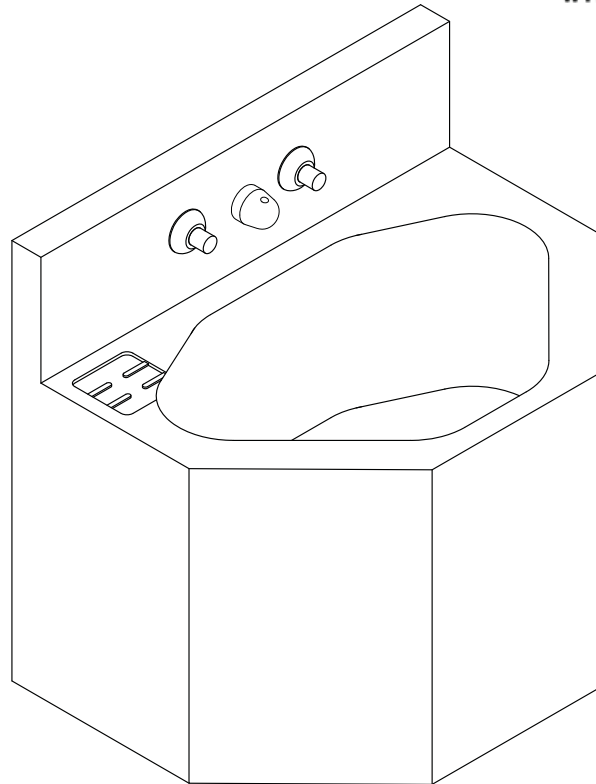
SPECIFY X, XA, Y, & HOLE Ø DIMENSIONS AS NEEDED FOR PUSH BUTTON HOLE PUNCHING

visit our website at www.willoughby-ind.com
 5105 West 78th Street • Indianapolis, IN. 46268
 (317) 875-0830 • Fax: (317) 875-0837 • (800) 428-4065



MADE IN THE U.S.A.

HS-1013-46-15-RPF Replacement 15" Wide Lavatory



(Unit may be shown with optional features)

Recommended Specifications

Replacement 15" Wide Lavatory shall be:
Willoughby Model No. **HS-1013-46-15-RPF**

Fixture shall be fabricated from 14 GA., Type 304 stainless steel. The construction shall be all welded, with exposed surfaces polished to a #3 satin finish.

Standard lavatory shall include:

- Multi-sided bowl, 12-3/4" x 8-1/4" x 5" deep
- Stainless steel penal bubbler/filler
- Fast drain with air vent
- Elbow waste (1-1/2" F.I.P.)
- Self-draining soap dish

Cabinet interior shall be sound deadened with fire-resistant material.

Anchoring shall be by standard 4-point system: threaded rods, nuts and washers shall be furnished for walls up to 8" thick. Unit shall require chase area for installation and maintenance.

visit our website at www.willoughby-ind.com

5105 West 78th Street • Indianapolis, IN. 46268
(317) 875-0830 • Fax: (317) 875-0837 • (800) 428-4065



MADE IN THE U.S.A.

MODEL NUMBER AND OPTIONS:

1.) Base Model Number:

HS-1013-46-15-RPF Replacement 15" Wide Lavatory

2.) Bubbler or Spout Selection:

- BP Penal Bubbler/Filler
- BC Code Bubbler/Filler
- BPH Ligature-resistant Bubbler/Filler
- FL Lavatory Filler
- FLH Ligature-resistant Lavatory Filler

3.) Lavatory Valve Selection:

- NV No Valve (Select Hole Punching if needed)
- PSL1 Single Temp. Pneumatic Non-metering
- PSL2 Dual Temp. Pneumatic Non-metering
- PML1 Single Temp. Pneumatic Metering
- PML2 Dual Temp. Pneumatic Metering
- E1L1 Single Temp. Electronic (pick control)*
- E1L2 Dual Temp. Electronic (pick control)*

Valve Manifold Options:

Pneumatic or Electronic Only:
 MA2 MA3 MA4

4.) Lavatory Valve Actuation:

- PPB Pneumatic Push Buttons
- PBH Ligature-resistant Push Buttons
- EPB Electronic Push Buttons*
- EPBH Ligature-resistant Electronic Push Buttons*
- PZPB Piezo Push Buttons*

5.) Electronic Controls* (Must Use Electronic Push Button):

WUCC-3010 Pneutronic WMSII
 (The WUCC-3010 Control can be used to pair a Sink with a Toilet)

6.) Push Button Hole Punching:

If Less-Lavatory Valve, please specify push button hole sizes and locations on fixture backplash:
 SP: _____

7.) Lavatory Waste:

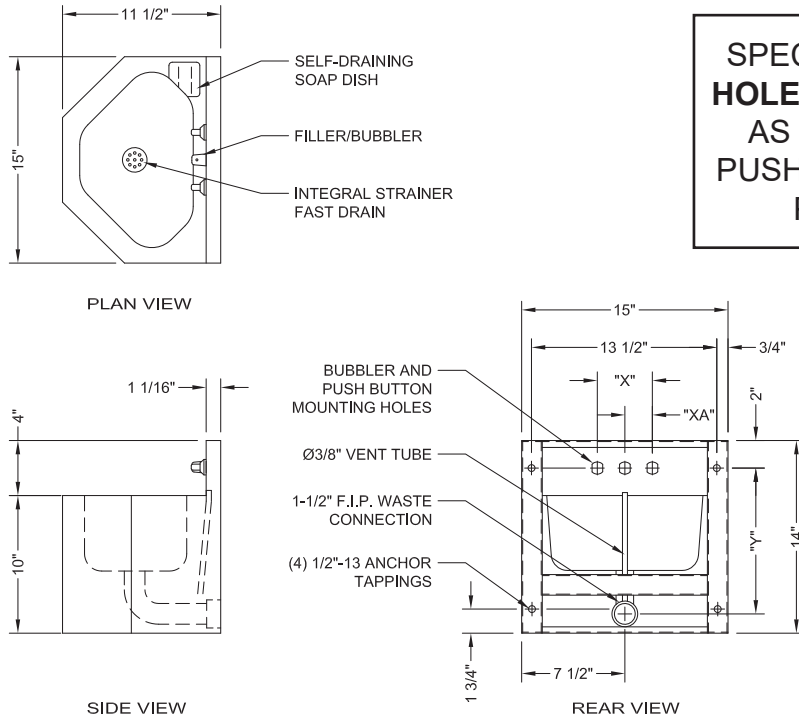
- EB Elbow Waste (Standard)
- PT Integral 'P'-Trap
- LWL Lavatory Waste Extension
- SLOW Slow Drain
- LW1 Thru-Wall Extension, 'P'-Trap
- LW2 Thru-Wall Extension and Clean-Out (Use w/"PT" Option)

8.) Options:

- MT Wall Template
 - TB1 Single Toothbrush Holder
 - Right Left
 - TB2 Dual Toothbrush Holder
 - Right Left
 - TH1 Single Towel Hook
 - Right Left
 - TH2 Dual Towel Hook
 - Right Left
 - ISH Integral Shelf
 - VG Ventilation Grille (Specify Location and Free Area)
 - TF24H Hard-wired Transformer, 110VAC to 24VAC*
 - TF24P Plug-in Transformer, 110VAC to 24VAC*
 - Other: _____
 - Other: _____
- *(Req. 110V power through ground fault interrupter (GFCI) receptacle)

Approved For Manufacturing By: _____ Date: _____ Company: _____
 Wall Thickness: _____ Wall Type: _____

VERIFY ALL DIMENSIONS WITH FACTORY PRIOR TO ROUGH-IN
 WILLOUGHBY RESERVES THE RIGHT TO MAKE CHANGES IN DESIGN AND DIMENSIONS WITHOUT FORMAL NOTICE AND WITHOUT INCURRING OBLIGATION.



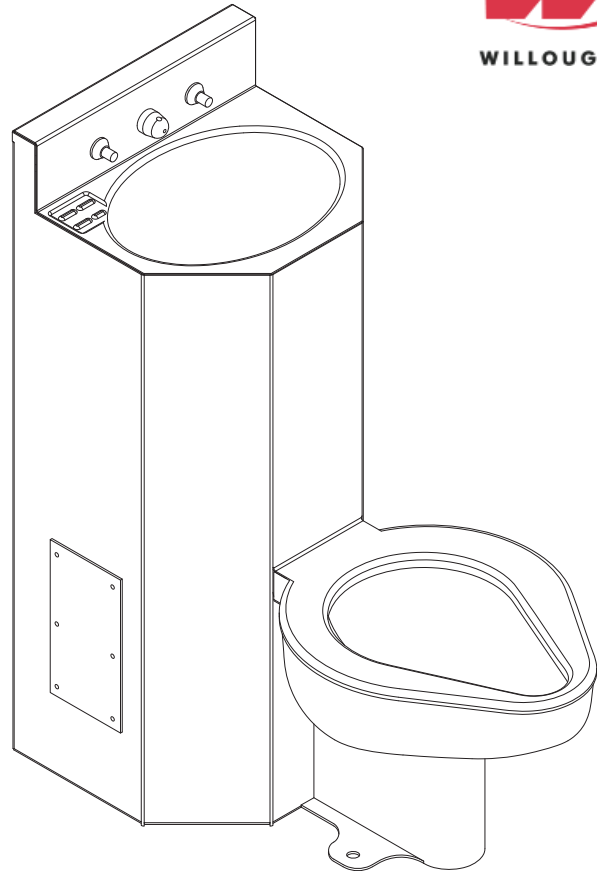
SPECIFY X, XA, Y, & HOLE Ø DIMENSIONS AS NEEDED FOR PUSH BUTTON HOLE PUNCHING

visit our website at www.willoughby-ind.com
 5105 West 78th Street • Indianapolis, IN. 46268
 (317) 875-0830 • Fax: (317) 875-0837 • (800) 428-4065



MADE IN THE U.S.A.

ECF-1546-150-RPF Floor Mounted Floor Outlet Replacement Combination For Super Secur A-150



Recommended Specifications

(Unit may be shown with optional features)

Floor Mounted, Floor Outlet, Replacement Combination lavatory/toilet (for Super Secur A-150) shall be:
Willoughby Model No. **ECF-1546-150-RPF**
(Designed to replace the discontinued **Super Secur A-150**)

Fixture shall be fabricated from 14 GA, Type 304 stainless steel. The construction shall be all welded, with exposed stainless surfaces polished to a #3 satin finish.

Standard toilet shall include: elongated toilet bowl with contoured seat, integral crevice-free self-draining flushing rim with positive afterfill and fully enclosed 3" O.D. trap which shall maintain a minimum 2" seal and pass a 2-5/8" ball. Toilet shall be blowout type which requires 35 psi minimum flushing pressure.

Standard lavatory shall include: oval shaped bowl, 13" x 9-1/2" x 6" deep, stainless steel penal filler/bubbler, fast drain with air vent, combined waste w/ cleanout* and self-draining soap dish.

Fixture shall withstand loadings up to 2,000 lbs. with no measurable deflection and loadings up to 5,000 lbs. with no permanent damage.

Cabinet interior shall be sound deadened with fire-resistant material.

Anchoring hardware by others. Unit shall require chase area for installation and maintenance.

On back to back fixture installations, do not use standard cross type waste fitting: cross flow may result due to blowout jet action. Use sanitary or offset type waste fittings.

Note: For 1.6 gallon flush, unit will pass a 2-1/8" ball.

**** Check applicable plumbing code for acceptability.***

visit our website at www.willoughby-ind.com
5105 West 78th Street • Indianapolis, IN. 46268
(317) 875-0830 • Fax: (317) 875-0837 • (800) 428-4065



MADE IN THE U.S.A.

MODEL NUMBER AND OPTIONS:

1.) Base Model Number:

- ECF-1546-150-RPF Floor Mounted, Floor Outlet, Replacement Combination for Super Secur A-150

2.) Toilet Orientation:

- C Centered

3.) Fixture Mounting:

- ON On-Floor

4.) Bubblers Selection:

- BP Penal Bubbler/Filler (Standard)
 BC Code Bubbler/Filler (w/ Mouth Guard)
 BPH Ligature-resistant Bubbler/Filler
 FL Penal Lav. Filler
 FLH Ligature-resistant Lav. Filler

5.) Flush Valve GPF'S (Must Specify):

- 1.28 GPF HET
 1.6 GPF ULF (Standard)
 3.5 GPF (3" waste tube required)

6.) Lavatory Valve Selection:

- NV No Valve
 PSL1 Single Temp. Pneumatic Non-metering
 PSL2 Dual Temp. Pneumatic Non-metering
 PML1 Single Temp. Pneumatic Metering
 PML2 Dual Temp. Pneumatic Metering
 E1L1 Single Temp. Electronic (Pick Control)*
 E1L2 Dual Temp. Electronic (Pick Control)*

Valve Manifold Options:

Pneumatic or Electronic Only:

- MA2 MA3 MA4

7.) Lavatory Valve Actuation:

- PPB Pneumatic Push Buttons
 PBH Ligature-resistant Push Buttons
 EPB Electronic Push Buttons*
 EPBH Ligature-resistant Electronic Push Buttons*
 PZPB Piezo Push Buttons*

8.) Electronic Controls*

(Must Use Electronic Lavatory & Flush Valves):

- WUCC-3010 Pneutronic WMSII

9.) Lavatory Waste:

- EB Elbow Waste (1-1/2" F.I.P.)
 PT Integral 'P'-Trap (1-1/2" F.I.P.)
 LWE Lavatory Waste Extension
 OV Lavatory Overflow
 CW1 Combined Waste w/o Clean-out
 CW2 Combined Waste w/ Clean-out (Standard)
 SLOW Slow Drain

10.) Toilet Waste:

- GWC Gasketed Waste Connection (Standard)

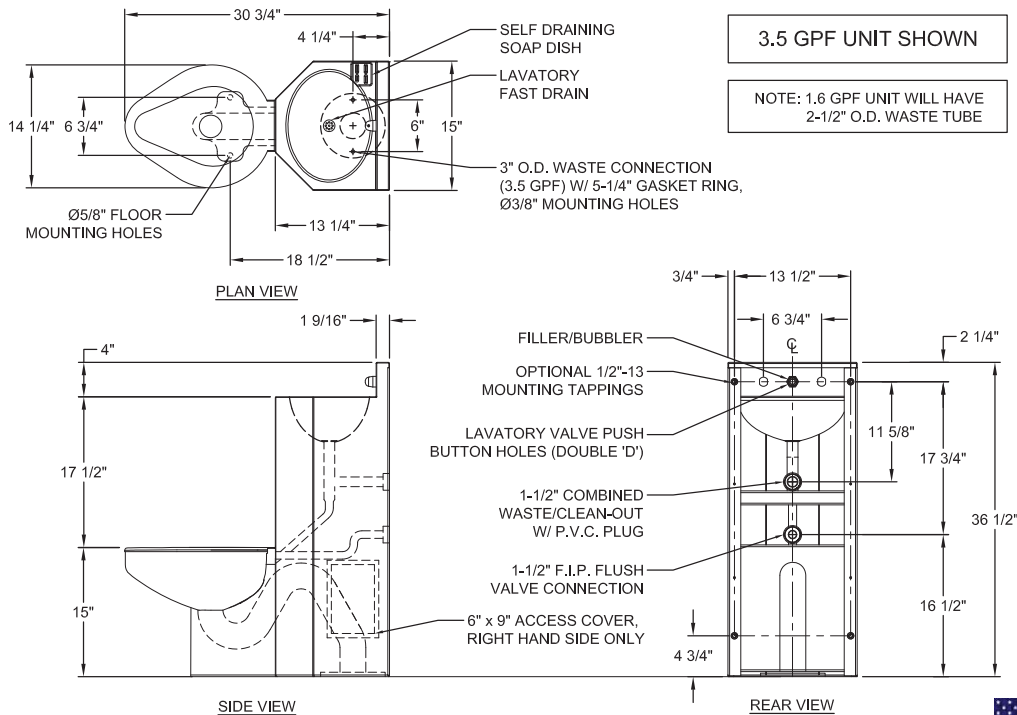
11.) Options

- T4 Manual Reset Toilet Overflow Preventer, Req. (FV) Flush Valve and Accessible Chase
 T4A Auto Reset Toilet Overflow Preventer, Req. (FV) Flush Valve and Accessible Chase
 ET4 Electronic Toilet Overflow Preventer, Requires (EFV) & (WUCC-3010) or (WMSII)*
 FV Hydraulic Flush Valve (Includes Push Button)
 EFV Electronic Flush Valve (Pick Control)*
 EFVP Electronic Flush Valve w/ (PZPB) (Pick Control)*
 TFE Toilet Flush Extension
 FVT Flush Valve Connection
 HS Hinged White Plastic Seat (No Cover, not recommended for Maximum Security/Ligature-resistant use)
 RTH__ Recessed Tissue Holder
 L LF C RF R
 TB1__ Single Toothbrush Holder
 L R
 TB2__ Dual Toothbrush Holder
 L R
 TH1__ Single Towel Hook
 L LF C RF R
 TH2__ Dual Towel Hook
 L LF C RF R
 DC Decorator Color (Fixture exterior only - White)
 TF24H Hard-wired Transformer, 110VAC to 24VAC*
 TF24P Plug-in Transformer, 110VAC to 24VAC*
 HPS High Polish Seat
 VG Vent Grille, 6-1/2" x 9-1/2" (13-3/4 in² free area)
 L LF RF R
 SK Ligature-resistant Toilet Skirt, (ON) On-Floor Only
 TG 12 Gauge Cabinet
 TSC Toilet Shipping Cover
 Other _____

*(Req. 110V power through ground fault interrupter (GFCI) receptacle)

Approved For Manufacturing By: _____ Date: _____ Company: _____
 Wall Thickness: _____ Wall Type: _____

VERIFY ALL DIMENSIONS WITH FACTORY PRIOR TO ROUGH-IN
 WILLOUGHBY RESERVES THE RIGHT TO MAKE CHANGES IN DESIGN AND DIMENSIONS WITHOUT FORMAL NOTICE AND WITHOUT INCURRING OBLIGATION.



visit our website at www.willoughby-ind.com

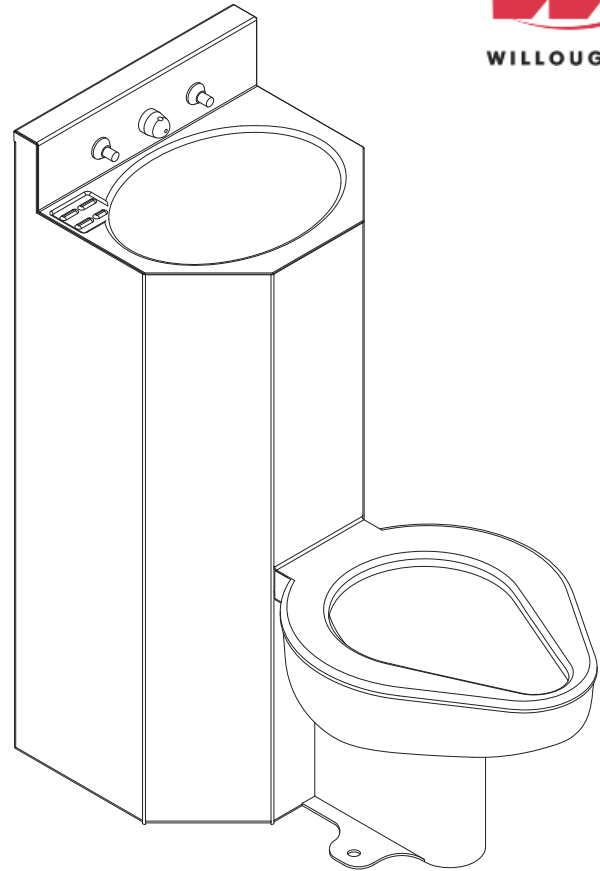
5105 West 78th Street • Indianapolis, IN. 46268

(317) 875-0830 • Fax: (317) 875-0837 • (800) 428-4065



MADE IN THE U.S.A.

ECW-1546-150-RPF Floor Mounted Wall Outlet Replacement Combination For Super Secur A-150



Recommended Specifications

(Unit may be shown with optional features)

Floor Mounted, Wall Outlet, Replacement Combination lavatory/toilet (for Super Secur A-150) shall be:
Willoughby Model No. **ECW-1546-150-RPF**
(Designed to replace the discontinued **Super Secur A-150**)

Fixture shall be fabricated from 14 GA, Type 304 stainless steel. The construction shall be all welded, with exposed stainless surfaces polished to a #3 satin finish.

Standard toilet shall include: elongated toilet bowl with contoured seat, integral crevice-free self-draining flushing rim with positive afterfill and fully enclosed 3" O.D. trap which shall maintain a minimum 2" seal and pass a 2-5/8" ball. Toilet shall be blowout type which requires 35 psi minimum flushing pressure.

Standard lavatory shall include: oval shaped bowl, 13" x 9-1/2" x 6" deep, stainless steel penal filler/bubbler, fast drain with air vent, combined waste w/ cleanout* and self-draining soap dish.

Fixture shall withstand loadings up to 2,000 lbs. with no measurable deflection and loadings up to 5,000 lbs. with no permanent damage.

Cabinet interior shall be sound deadened with fire-resistant material.

Anchoring hardware by others. Unit shall require chase area for installation and maintenance.

On back to back fixture installations, do not use standard cross type waste fitting: cross flow may result due to blowout jet action. Use sanitary or offset type waste fittings.

Note: For 1.6 gallon flush, unit will pass a 2-1/8" ball.

**** Check applicable plumbing code for acceptability.***

visit our website at www.willoughby-ind.com
5105 West 78th Street • Indianapolis, IN. 46268
(317) 875-0830 • Fax: (317) 875-0837 • (800) 428-4065



MADE IN THE U.S.A.

MODEL NUMBER AND OPTIONS:

1.) Base Model Number:

- ECW-1546-150-RPF Floor Mounted, Wall Outlet, Replacement Combination for Super Secur A-150

2.) Toilet Orientation:

- C Centered

3.) Fixture Mounting:

- ON On-Floor

4.) Bubblers Selection:

- BP Penal Bubbler/Filler (Standard)
- BC Code Bubbler/Filler (w/ Mouth Guard)
- BPH Ligature-resistant Bubbler/Filler
- FL Penal Lav. Filler
- FLH Ligature-resistant Lav. Filler

5.) Flush Valve GPF'S (Must Specify):

- 1.28 GPF HET
- 1.6 GPF ULF (Standard)
- 3.5 GPF (3" waste tube required)

6.) Lavatory Valve Selection:

- NV No Valve
- PSL1 Single Temp. Pneumatic Non-metering
- PSL2 Dual Temp. Pneumatic Non-metering
- PML1 Single Temp. Pneumatic Metering
- PML2 Dual Temp. Pneumatic Metering
- E1L1 Single Temp. Electronic (Pick Control)*
- E1L2 Dual Temp. Electronic (Pick Control)*

Valve Manifold Options:

Pneumatic or Electronic Only:

- MA2 MA3 MA4

7.) Lavatory Valve Actuation:

- PPB Pneumatic Push Buttons
- PBH Ligature-resistant Push Buttons
- EPB Electronic Push Buttons*
- EPBH Ligature-resistant Electronic Push Buttons*
- PZPB Piezo Push Buttons*

8.) Electronic Controls*

(Must Use Electronic Lavatory & Flush Valves):

- WUCC-3010 Pneutronic WMSII

9.) Lavatory Waste:

- EB Elbow Waste (1-1/2" F.I.P.)
- PT Integral 'P'-Trap (1-1/2" F.I.P.)
- LWL Lavatory Waste Extension
- OV Lavatory Overflow
- CW1 Combined Waste w/o Clean-out
- CW2 Combined Waste w/ Clean-out (Standard)
- LW1 Thru-Wall Extension, 'P' Trap
- LW2 Thru-Wall Extension & Clean-Out
- SLOW Slow Drain

10.) Toilet Waste:

- TWE Toilet Waste Extension
- TW3 3" Clean-Out for (TWE)
- TW5 4" Clean-Out for (TWE)
- PC3 Pinned Clean-Out Plug PVC-3"
- PCB3 Pinned Clean-Out Plug Brass-3"
- PC4 Pinned Clean-Out Plug PVC-4"
- PCB4 Pinned Clean-Out Plug Brass-4"
- GWC Gasketed Waste Connection (Standard)

11.) Toilet Waste Coupling For (TWE):

- TWC3P Connecting to 3" PVC
- TWC3C Connecting to 3" Cast Iron
- TWC4P Connecting to 4" PVC
- TWC4C Connecting to 4" Cast Iron

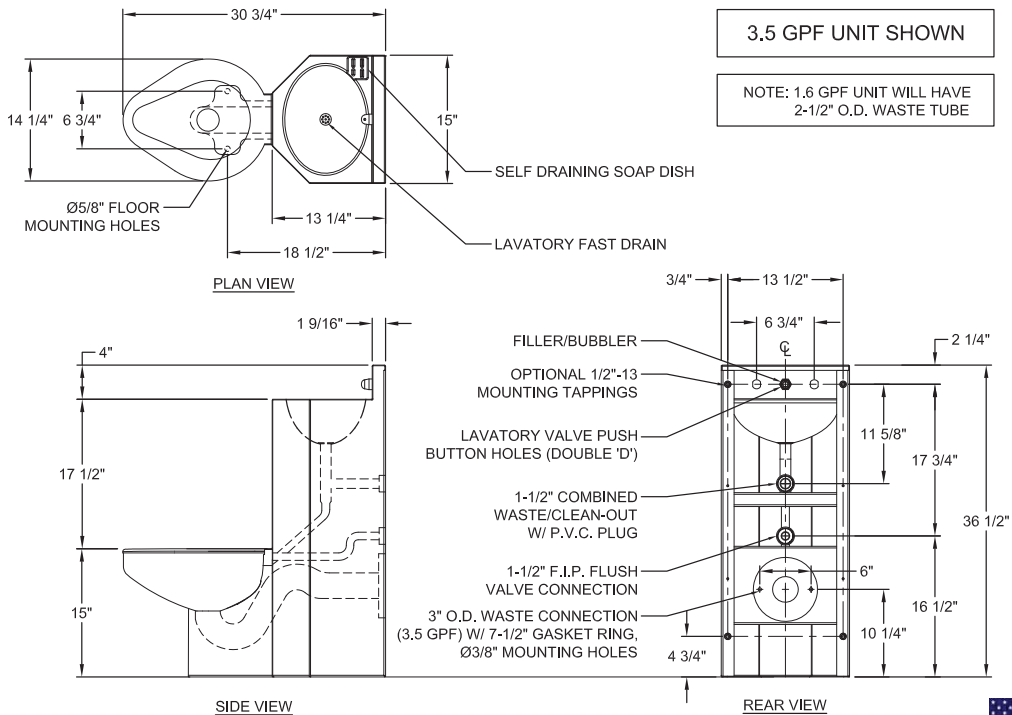
12.) Options

- T4 Manual Reset Toilet Overflow Preventer, Req.(FV)
- T4A Auto Reset Toilet Overflow Preventer, Req. (FV)
- ET4 Electronic Toilet Overflow Preventer, Requires (EFV) & (WUCC-3010) or (WMSII)*
- FV Hydraulic Flush Valve (Includes Push Button)
- EFV Electronic Flush Valve (Pick Control)*
- EFVP Electronic Flush Valve w/ (PZPB) (Pick Control)*
- TFE Toilet Flush Extension
- FVT Flush Valve Connection
- HS Hinged White Plastic Seat (No Cover, not recommended for Maximum Security/Ligature-resistant use)
- RTH__ Recessed Tissue Holder
 - L LF C RF R
- TB1__ Single Toothbrush Holder
 - L R
- TB2__ Dual Toothbrush Holder
 - L R
- TH1__ Single Towel Hook
 - L LF C RF R
- TH2__ Dual Towel Hook
 - L LF C RF R
- DC Decorator Color (Fixture exterior only - White)
- TF24H Hard-wired Transformer, 110VAC to 24VAC*
- TF24P Plug-in Transformer, 110VAC to 24VAC*
- HPS High Polish Seat
- VG Vent Grille, 6-1/2"x 9-1/2" (13-3/4 in² free area)
 - L LF RF R
- SK Ligature-resistant Toilet Skirt, (ON) On-Floor Only
- TG 12 Gauge Cabinet
- TSC Toilet Shipping Cover
- Other _____
- Other _____

*(Req. 110V power through ground fault interrupter (GFCI) receptacle)

Approved For Manufacturing By: _____ Date: _____ Company: _____
 Wall Thickness: _____ Wall Type: _____

VERIFY ALL DIMENSIONS WITH FACTORY PRIOR TO ROUGH-IN
 WILLOUGHBY RESERVES THE RIGHT TO MAKE CHANGES IN DESIGN AND DIMENSIONS WITHOUT FORMAL NOTICE AND WITHOUT INCURRING OBLIGATION.

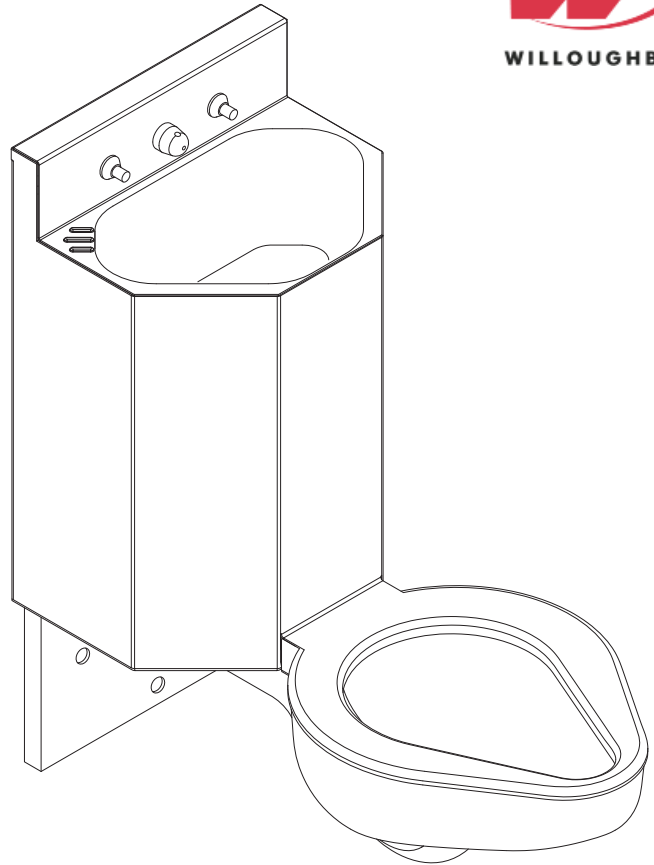


visit our website at www.willoughby-ind.com
 5105 West 78th Street • Indianapolis, IN. 46268
 (317) 875-0830 • Fax: (317) 875-0837 • (800) 428-4065



MADE IN THE U.S.A.

ECW-1546-350-RPF Wall Mounted Wall Outlet Replacement Combination For Super Secur A-350



Recommended Specifications

(Unit may be shown with optional features)

Wall Mounted, Wall Outlet, Replacement Combination lavatory/toilet (for Super Secur A-350) shall be:
Willoughby Model No. **ECW-1546-350-RPF**
(Designed to replace the discontinued **Super Secur A-350**)

Fixture shall be fabricated from 14 GA, Type 304 stainless steel. The construction shall be all welded, with exposed stainless surfaces polished to a #3 satin finish.

Standard toilet shall include: elongated toilet bowl with contoured seat, integral crevice-free self-draining flushing rim with positive afterfill and fully enclosed 3" O.D. trap which shall maintain a minimum 2" seal and pass a 2-5/8" ball. Toilet shall be blowout type which requires 35 psi minimum flushing pressure.

Standard lavatory shall include: multi-sided shaped bowl, 12-3/4" x 8-3/4" x 5" deep, stainless steel penal filler/bubbler, fast drain with air vent, combined waste w/ cleanout* and self-draining soap dish.

Fixture shall withstand loadings up to 2,000 lbs. with no measurable deflection and loadings up to 5,000 lbs. with no permanent damage.

Cabinet interior shall be sound deadened with fire-resistant material.

Anchoring hardware by others. Unit shall require chase area for installation and maintenance.

On back to back fixture installations, do not use standard cross type waste fitting: cross flow may result due to blowout jet action. Use sanitary or offset type waste fittings.

Note: For 1.6 gallon flush, unit will pass a 2-1/8" ball.

**** Check applicable plumbing code for acceptability.***

MODEL NUMBER AND OPTIONS:

1.) Base Model Number:

- ECW-1546-350-RPF Wall Mounted, Wall Outlet, Replacement Combination for Super Secur A-350

2.) Toilet Orientation:

- C Centered

3.) Fixture Mounting:

- OF Off-Floor

4.) Bubblers Selection:

- BP Penal Bubbler/Filler (Standard)
 BC Code Bubbler/Filler (w/ Mouth Guard)
 BPH Ligature-resistant Bubbler/Filler
 FL Penal Lav. Filler
 FLH Ligature-resistant Lav. Filler

5.) Flush Valve GPF'S (Must Specify):

- 1.28 GPF HET
 1.6 GPF ULF (Standard)
 3.5 GPF (3" waste tube required)

6.) Lavatory Valve Selection:

- NV No Valve
 PSL1 Single Temp. Pneumatic Non-metering
 PSL2 Dual Temp. Pneumatic Non-metering
 PML1 Single Temp. Pneumatic Metering
 PML2 Dual Temp. Pneumatic Metering
 E1L1 Single Temp. Electronic (Pick Control)*
 E1L2 Dual Temp. Electronic (Pick Control)*

Valve Manifold Options:

Pneumatic or Electronic Only:

- MA2 MA3 MA4

7.) Lavatory Valve Actuation:

- PPB Pneumatic Push Buttons
 PBH Ligature-resistant Push Buttons
 EPB Electronic Push Buttons*
 EPBH Ligature-resistant Electronic Push Buttons*
 PZPB Piezo Push Buttons*

8.) Electronic Controls*

(Must Use Electronic Lavatory & Flush Valves):

- WUCC-3010 Pneutronic WMSII

9.) Lavatory Waste:

- EB Elbow Waste (1-1/2" F.I.P.)
 PT Integral 'P'-Trap (1-1/2" F.I.P.)
 LWE Lavatory Waste Extension
 OV Lavatory Overflow
 CW1 Combined Waste w/o Clean-out
 CW2 Combined Waste w/ Clean-out (Standard)
 LW1 Thru-Wall Extension, 'P' Trap
 LW2 Thru-Wall Extension & Clean-Out
 SLOW Slow Drain

10.) Toilet Waste:

- TWE Toilet Waste Extension
 TW3 3" Clean-Out for (TWE)
 TW5 4" Clean-Out for (TWE)
 PC3 Pinned Clean-Out Plug PVC-3"
 PCB3 Pinned Clean-Out Plug Brass-3"
 PC4 Pinned Clean-Out Plug PVC-4"
 PCB4 Pinned Clean-Out Plug Brass-4"
 GWC Gasketed Waste Connection (Standard)

11.) Toilet Waste Coupling For (TWE):

- TWC3P Connecting to 3" PVC
 TWC3C Connecting to 3" Cast Iron
 TWC4P Connecting to 4" PVC
 TWC4C Connecting to 4" Cast Iron

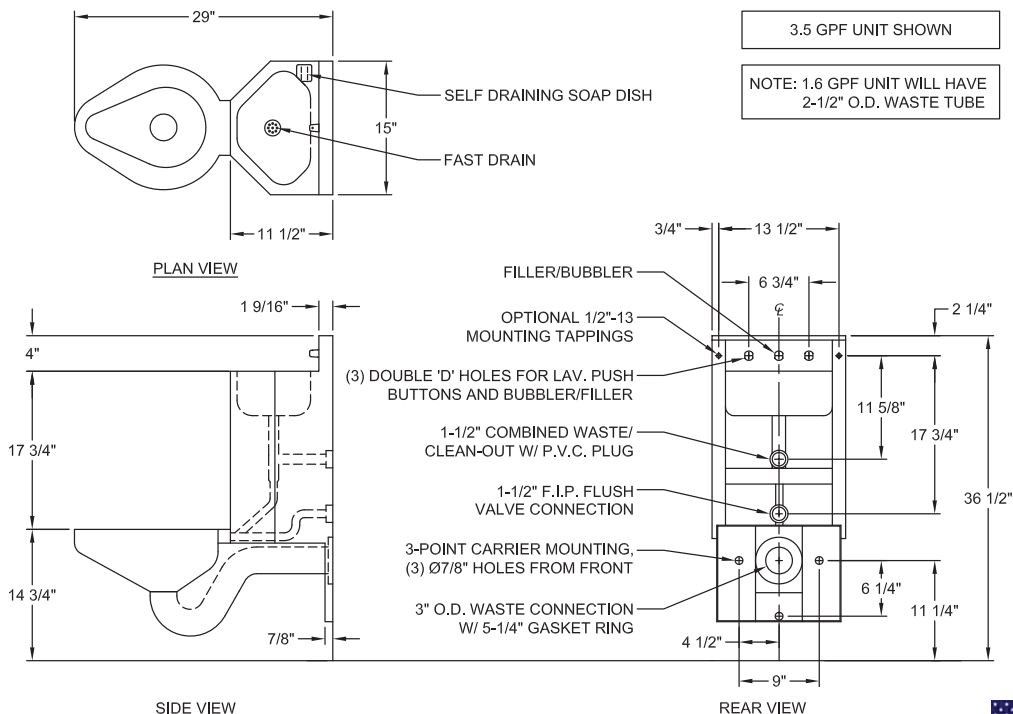
12.) Options

- T4 Manual Reset Toilet Overflow Preventer, Req.(FV)
 T4A Auto Reset Toilet Overflow Preventer, Req. (FV)
 ET4 Electronic Toilet Overflow Preventer, Requires (EFV) & (WUCC-3010) or (WMSII)*
 FV Hydraulic Flush Valve (Includes Push Button)
 EFV Electronic Flush Valve (Pick Control)*
 EFVP Electronic Flush Valve w/ (PZPB) (Pick Control)*
 TFE Toilet Flush Extension
 FVT Flush Valve Connection
 HS Hinged White Plastic Seat (No Cover, not recommended for Maximum Security/Ligature-resistant use)
 RTH__ Recessed Tissue Holder
 L LF C RF R
 TB1__ Single Toothbrush Holder
 L R
 TB2__ Dual Toothbrush Holder
 L R
 TH1__ Single Towel Hook
 L LF C RF R
 TH2__ Dual Towel Hook
 L LF C RF R
 DC Decorator Color (Fixture exterior only - White)
 TF24H Hard-wired Transformer, 110VAC to 24VAC*
 TF24P Plug-in Transformer, 110VAC to 24VAC*
 HPS High Polish Seat
 VG Vent Grille, 6-1/2"x 9-1/2" (13-3/4 in² free area)
 L LF RF R
 TG 12 Gauge Cabinet
 TSC Toilet Shipping Cover
 Other _____
 Other _____

*(Req. 110V power through ground fault interrupter (GFCI) receptacle)

Approved For Manufacturing By: _____ Date: _____ Company: _____
 Wall Thickness: _____ Wall Type: _____

VERIFY ALL DIMENSIONS WITH FACTORY PRIOR TO ROUGH-IN
 WILLOUGHBY RESERVES THE RIGHT TO MAKE CHANGES IN DESIGN AND DIMENSIONS WITHOUT FORMAL NOTICE AND WITHOUT INCURRING OBLIGATION.



visit our website at www.willoughby-ind.com

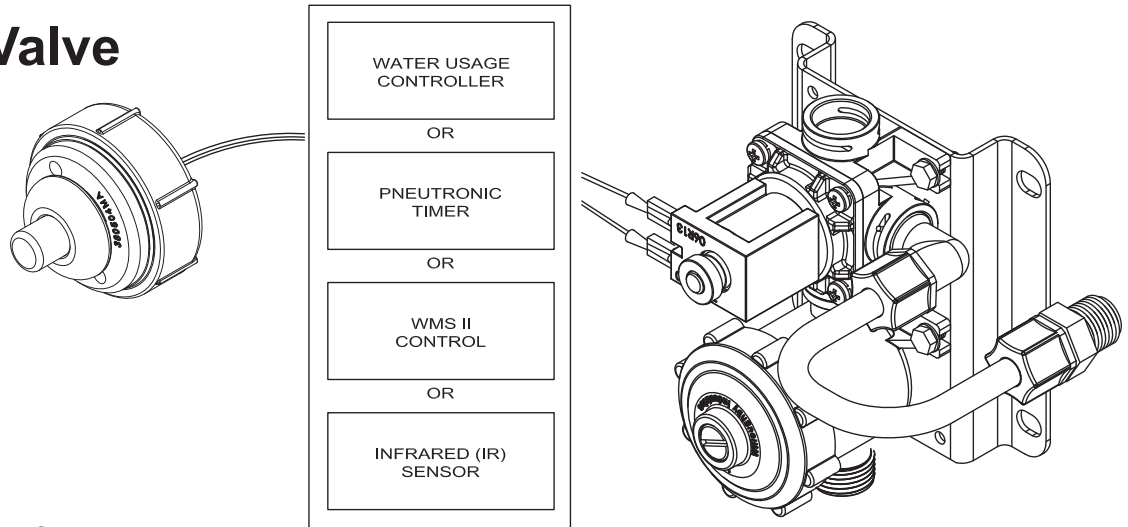
5105 West 78th Street • Indianapolis, IN. 46268

(317) 875-0830 • Fax: (317) 875-0837 • (800) 428-4065



MADE IN THE U.S.A.

E1L1 Single Temperature Lead-free Electronic Valve



Recommended Specifications

Single Temperature, Lead-free, Electronic Valve assembly shall be: Willoughby Model No. **E1L1** (Select from options list)

Stainless steel push buttons on the fixture shall be wired to an appropriate electronic valve control (select from the list of control choices). The vandal-resistant push buttons shall be keyed/non-removable from the front of the fixture and shall require less than 5 lbs of force to operate.

The plastic valve checkstop/strainers shall feature integral mounting points. Replaceable stainless steel strainer and optional 0.5 GPM flow control can be serviced without disturbing the supply line. Assembly shall use flexible tubing to connect to the filler/bubbler/shower head. Water inlet is 1/2" MPT and is reversible for either top or bottom supply. A galvanized wall mounting plate is provided, wall anchoring hardware provided by others.

Flexible tubing is supplied for walls up to 8" thick. Recommended operating pressure shall be 35-70 psi. Valve shall withstand pressures up to 90 psi. Cost-reducing manifolded valves shall consist of multiple valve assemblies served by a common supply line. A 24 volt AC source shall be required for a timer and valve operation.

Valve complies with NSF-61 standard.

Flow Selection (choose one):

- 0.5 GPM Flow (lavatories)
- 1.5 GPM Flow (showers)
- 2.0 GPM Flow (showers)
- NFC (No Flow Control) (showers, up to MA2)

Control:

- WUCC-3010 WUSC-2200 WUSC-2400
- Pneutronic Timer WMS II Control
- Infrared (IR) Sensor

Push Button*:

- EPB Electronic Push Button
- EPBH Ligature-resistant Electronic Push Button
- PZPB Piezo Push Button

*Not required for IR

Options:

- MA2 (Double Manifold, no flow limitation)
- MA3 (Triple Manifold, 0.5 GPM flow only)
- MA4 (Quad Manifold, 0.5 GPM flow only)
- TMV In-line Thermostatic Mixing Valve

24 VAC Power Transformer supplied by others.

visit our website at www.willoughby-ind.com

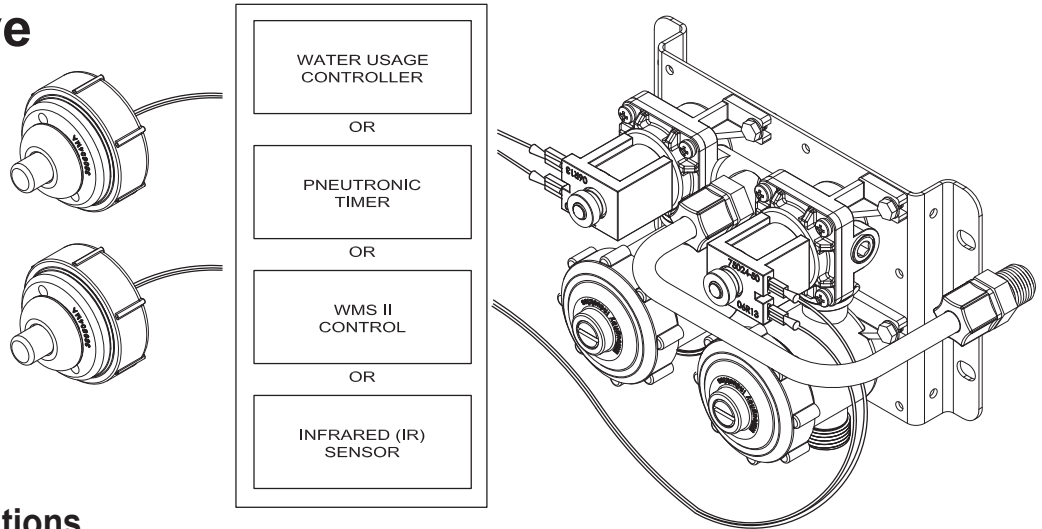
5105 West 78th Street • Indianapolis, IN. 46268

(317) 875-0830 • Fax: (317) 875-0837 • (800) 428-4065



MADE IN THE U.S.A.

E1L2 Dual Temperature Lead-free Electronic Valve



Recommended Specifications

Dual Temperature, Lead-free Electronic Valve assembly shall be: Willoughby Model No. **E1L2** (Select from options list)

Stainless steel push buttons on the fixture shall be wired to an appropriate electronic valve control (select from the list of control choices). The vandal-resistant push buttons shall be keyed/non-removable from the front of the fixture and shall require less than 5 lbs of force to operate.

The plastic valve checkstop/strainers shall feature integral mounting points. Replaceable stainless steel strainer and optional 0.5 GPM flow control can be serviced without disturbing the supply line. Assembly shall use flexible tubing to connect to the filler/bubbler/shower head. Water inlet is 1/2" MPT and is reversible for either top or bottom supply. A galvanized wall mounting plate is provided, wall anchoring hardware provided by others.

Flexible tubing is supplied for walls up to 8" thick. Recommended operating pressure shall be 35-70 psi. Valve shall withstand pressures up to 90 psi. Cost-reducing manifolded valves shall consist of multiple valve assemblies served by a common supply line. A 24 volt AC source shall be required for a timer and valve operation.

Valve complies with NSF-61 standard.

* This is not a substitute for a thermostatic mixing valve. The delivered water temperature is the result of the two combined inlet temperatures and cannot be adjusted by this valve assembly. The hot side of the valve must be supplied with tempered water.

Flow Selection (choose one):

- 0.5 GPM Flow (lavatories)
- 1.5 GPM Flow (showers)
- 2.0 GPM Flow (showers)
- NFC (No Flow Control) (showers, up to MA2)

Control:

- WUCC-3010 WUSC-2200 WUSC-2400
- Pneutronic Timer WMS II Control
- Infrared (IR) Sensor

Push Buttons*:

- EPB Electronic Push Buttons
- EPBH Ligature-resistant Electronic Push Buttons
- PZPB Piezo Push Buttons

*Not required for IR

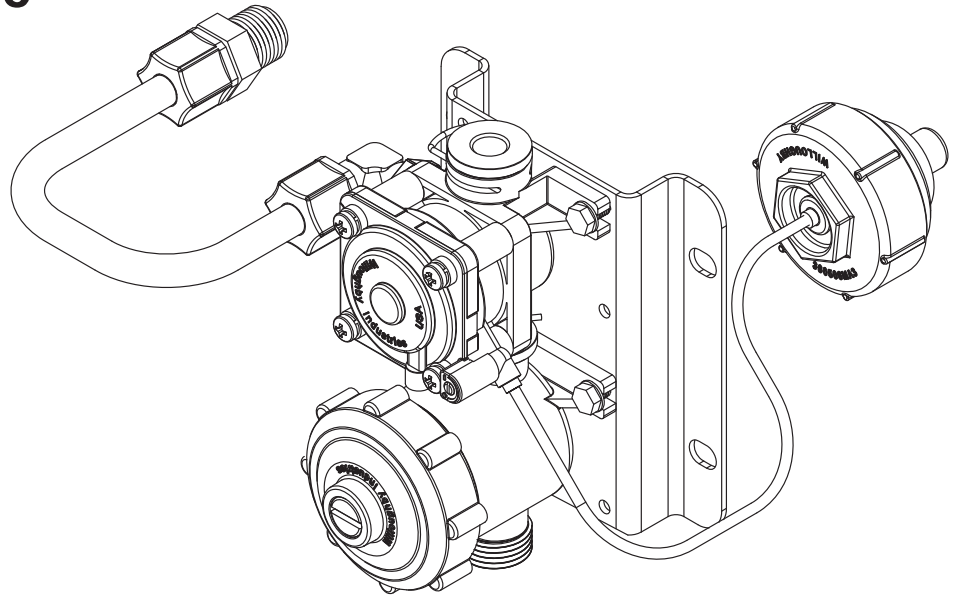
Options:

- MA2 (Double Manifold, no flow limitations)
- MA3 (Triple Manifold, 0.5 GPM flow only)
- MA4 (Quad Manifold, 0.5 GPM flow only)
- TMV In-line Thermostatic Mixing Valve

24 VAC Power Transformer supplied by others.



PML1 / PSL1 Single Temperature Lead-free Pneumatic Valve



(PML1 SHOWN)

Recommended Specifications

Single Temperature, Lead-free Pneumatic Valve assembly shall be: Willoughby Model No. **P__L1** (Select from options list)

The valve assembly shall use diaphragms to pneumatically activate non-hold-open metering (5-90 second) or non-metering pneumatic valves. The vandal-resistant push buttons shall be keyed/non-removable from the front of the fixture and shall require less than 5 lbs of force to operate.

The plastic valve checkstop/strainer shall feature integral mounting points. Replaceable stainless steel strainer and optional 0.5 GPM flow control can be serviced without disturbing the supply line. Assembly shall use flexible tubing to connect to the filler/bubbler/shower head. Water inlet is 1/2" MPT and is reversible for either top or bottom supply. A galvanized wall mounting plate is provided, wall anchoring hardware provided by others.

Flexible tubing is supplied for walls up to 8" thick. Recommended operating pressure shall be 35-70 psi. Valve shall withstand pressures up to 90 psi. The maximum length for tubing between the push button actuator and the valve is 10 feet. The pneumatic system is entirely self-contained and shall require no outside air supply. Cost reducing manifolded valves shall consist of multiple valve assemblies served by a common supply line.

Valve complies with NSF-61 standard.

Model Number:

- PML1 Single Temp. Metering
- PSL1 Single Temp. Non-metering

Flow Selection (choose one):

- 0.5 GPM Flow (lavatories)
- 1.5 GPM Flow (showers)
- 2.0 GPM Flow (showers)
- NFC (No Flow Control) (showers, up to MA2)

Push Button:

- PPB Pneumatic Push Button
- PBH Ligature-resistant Pneumatic Push Button
- PLPB Pneumatic Palm Push Button

Options:

- MA2 (Double Manifold, No flow limitation)
- MA3 (Triple Manifold, 0.5 GPM flow only)
- MA4 (Quad Manifold, 0.5 GPM flow only)
- TMV In-line Thermostatic Mixing Valve

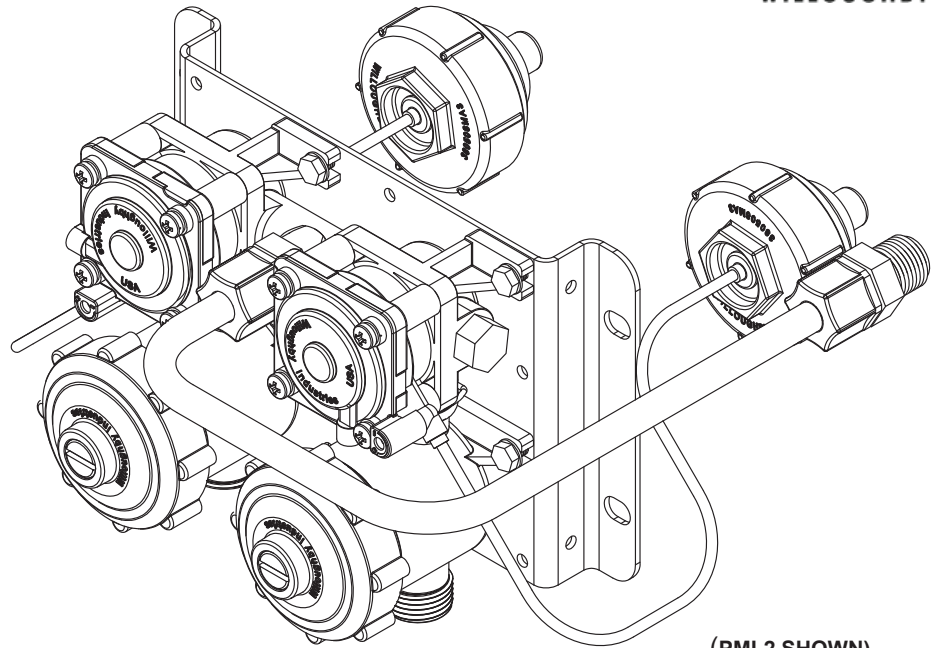
visit our website at www.willoughby-ind.com

5105 West 78th Street • Indianapolis, IN. 46268
(317) 875-0830 • Fax: (317) 875-0837 • (800) 428-4065



MADE IN THE U.S.A.

PML2 / PSL2 Dual Temperature Lead-free Pneumatic Valve



(PML2 SHOWN)

Recommended Specifications

Dual Temperature, Lead-free Pneumatic Valve assembly shall be: Willoughby Model No. **P__L2** (Select from options list)

The valve assembly shall use diaphragms to pneumatically activate non-hold open metering (5-90 second) or non-metering pneumatic valves. The vandal-resistant push buttons shall be keyed/non-removable from the front of the fixture and shall require less than 5 lbs of force to operate.

The plastic valve checkstop/strainer shall feature integral mounting points. Replaceable stainless steel strainer and optional 0.5 GPM flow control can be serviced without disturbing the supply line. Assembly shall use flexible tubing to connect to the filler/bubbler/shower head. Water inlet is 1/2" MPT and is reversible for either top or bottom supply. A galvanized wall mounting plate is provided, wall anchoring hardware provided by others.

Flexible tubing is supplied for walls up to 8" thick. Recommended operating pressure shall be 35-70 psi. Valve shall withstand pressures up to 90 psi. The maximum length for tubing between the push button actuator and the valve is 10 feet. The pneumatic system is entirely self-contained and shall require no outside air supply. Cost reducing manifolded valves shall consist of multiple valve assemblies served by a common supply line. Valve complies with NSF-61 standard.

* This is not a substitute for a thermostatic mixing valve. The delivered water temperature is the result of the two combined inlet temperatures and cannot be adjusted by this valve assembly. The hot side of the valve must be supplied with tempered water.

Model Number:

- PML2 Dual Temp. Metering
- PSL2 Dual Temp. Non-metering

Flow Selection (choose one):

- 0.5 GPM Flow (lavatories)
- 1.5 GPM Flow (showers)
- 2.0 GPM Flow (showers)
- NFC (No Flow Control) (showers, up to MA2)

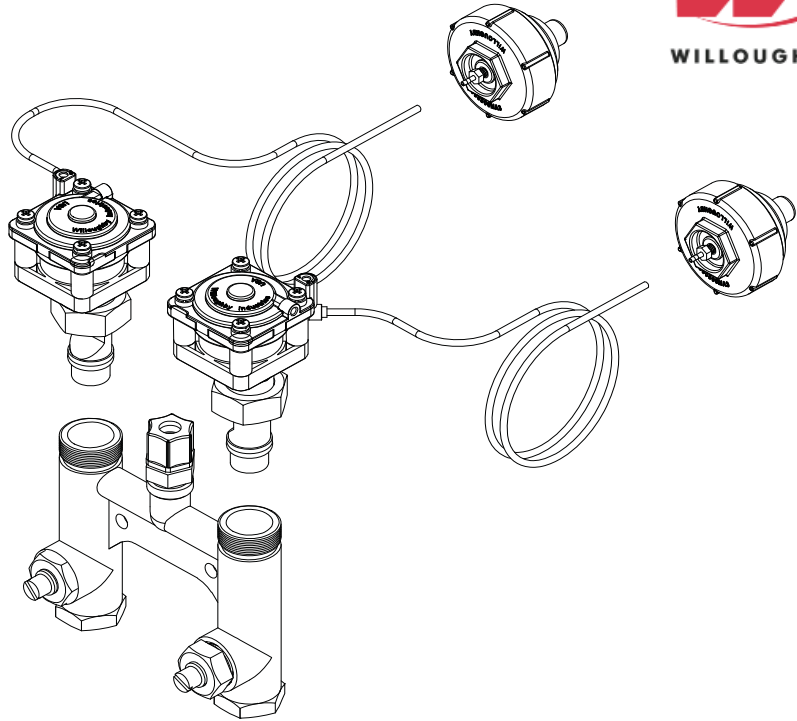
Push Button:

- PPB Pneumatic Push Button
- PBH Ligature-resistant Pneumatic Push Button
- PLPB Pneumatic Palm Push Button

Options:

- MA2 (Double Manifold, No flow limitation)
- MA3 (Triple Manifold, 0.5 GPM flow only)
- MA4 (Quad Manifold, 0.5 GPM flow only)
- TMV In-line Thermostatic Mixing Valve

WRMV / WRSCV Retrofit Valve Assemblies



Recommended Specifications

Retrofit Valve Assembly shall be:
Willoughby Model No. **WR__V-__** (Select from options list)

The Willoughby Retrofit Metering Valve Assembly (WRMV) and Willoughby Retrofit Non-metering Valve Assembly (WRSCV) are designed to easily convert single and dual temperature mechanical valve cartridges, pushrods, and toggles to state-of-the-art pneumatically operated metering or non-metering valve assemblies.

Existing Willoughby valve cartridges manufactured since 1985 can be directly replaced with WRMV and WRSCV retrofit valve assembly kits, specifically Willoughby valve models:

- WM-1 (Single temperature mechanical metering)
- WM-2 (Dual temperature mechanical metering)
- WSC-1 (Single temperature mechanical non-metering)
- WSC-2 (Dual temperature mechanical non-metering)

Certain existing competitors' valves may also be converted to pneumatic operation using the Willoughby WRMV or WRSCV retrofit valve assembly kits. However, conversions may require field modification of existing push button holes in fixture; consult with a Willoughby factory representative for additional details.

The WRMV and WRSCV valve assembly kits shall include:

- Push button-operated pneumatic diaphragm pumps
- Non-hold-open metering (5-90 seconds) or non-metering pneumatic valve cartridges
- 5' of 1/8" tubing for each valve

(All components for both the WRMV and WRSCV kits are the same except for the integral pneumatic valves.)

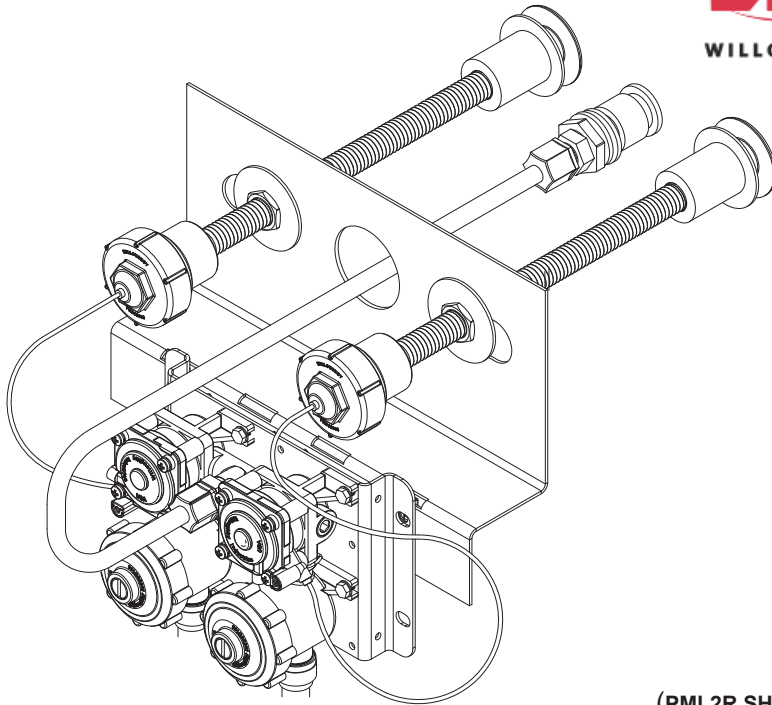
Vandal-resistant stainless steel push buttons attached to the diaphragm pumps activate the integral pneumatic valve within each valve cartridge via 1/8" pneumatic tubing. The vandal-resistant push buttons shall be keyed/non-removable from the front of the fixture and shall require less than 5 lbs of force to operate.

The pneumatic system is entirely self-contained and requires no outside air supply, eliminating traditional mechanical toggles and pushrod components. Recommended operating pressure will be 35-70 psi. Valves shall withstand pressures up to 90 psi.

Model Number:

- WRMV-1B Single Temp. Metering Valves
- WRMV-2B Dual Temp. Metering Valves
- WRSCV-1B Single Temp. Non-metering Valves
- WRSCV-2B Dual Temp. Non-metering Valves

PML2R / PSL2R Dual Temperature Replacement Pneumatic Valve



(PML2R SHOWN)

Recommended Specifications

Dual Temperature, Lead-free, Replacement Pneumatic Valve assembly shall be: Willoughby Model No. **P__L2R**
(Select from options list)

This valve is designed to replace existing valves on china and aluminum fixtures with integral bubblers. The valve assembly shall use diaphragms to pneumatically activate non-hold open metering (5-90 second) or non-metering pneumatic valves. The vandal-resistant push buttons shall be keyed/non-removable from the front of the fixture and shall require less than 5 lbs of force to operate.

The plastic valve checkstop/strainer shall feature integral mounting points. Replaceable stainless steel strainer and optional 0.5 GPM flow control can be serviced without disturbing the supply line. Assembly shall use flexible tubing to connect to the filler/bubbler/shower head. Water inlet is 1/2" MPT and is reversible for either top or bottom supply. A galvanized wall mounting plate is provided, wall anchoring hardware provided by others.

Flexible tubing is supplied for walls up to 8" thick. Recommended operating pressure shall be 35-70 psi. Valve shall withstand pressures up to 90 psi. The maximum length for tubing between the push button actuator and the valve is 10 feet. The pneumatic system is entirely self-contained and shall require no outside air supply. Cost reducing manifolded valves shall consist of multiple valve assemblies served by a common supply line.

Valve complies with NSF-61 standard.

Model Number:

- PML2R Dual Temp. Metering
- PSL2R Dual Temp. Non-metering

Inlet Connection (choose one):

- 3/4"
- 1"

Options:

- MA2 (Double Manifold, No flow limitation)
- MA3 (Triple Manifold, 0.5 GPM flow only)
- MA4 (Quad Manifold, 0.5 GPM flow only)
- TMV In-line Thermostatic Mixing Valve

* This is not a substitute for a thermostatic mixing valve. The delivered water temperature is the result of the two combined inlet temperatures and cannot be adjusted by this valve assembly. The hot side of the valve must be supplied with tempered water.

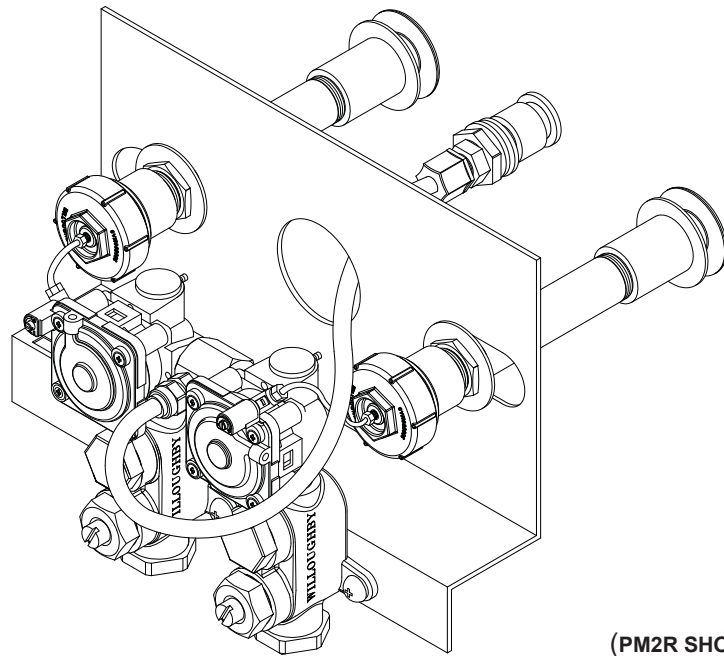
** Push buttons require minimum Ø1-5/16" round or 1-1/8" square backsplash openings.

visit our website at www.willoughby-ind.com
5105 West 78th Street • Indianapolis, IN. 46268
(317) 875-0830 • Fax: (317) 875-0837 • (800) 428-4065



MADE IN THE U.S.A.

PM2R / PS2R Dual Temperature Replacement Pneumatic Valve



(PM2R SHOWN)

Recommended Specifications

Dual Temperature, Replacement Pneumatic Valve assembly shall be: Willoughby Model No. **P__2R** (Select from options list)

Not for use in the states of California or Vermont.

This valve is designed to replace existing valves on china and aluminum fixtures with integral bubblers. The valve assembly shall use diaphragms to pneumatically activate non-hold open metering (5-90 second) or non-metering pneumatic valves. The vandal-resistant push buttons shall be keyed/non-removable from the front of the fixture and shall require less than 5 lbs of force to operate. The push button assembly is arranged to be mounted to the back-splash to support the fixture.

The valve checkstop/strainers shall be cast brass with integral mounting lugs. Replaceable stainless steel strainers and 1.0 GPM flow control shall be serviced without disturbing the supply line. The connection to the filler/bubbler shall be flexible tubing. Water inlets are 1/2" FPT and shall be reversible for either top or bottom supply. The valve assembly is accessible from the pipe chase only.

Flexible tubing is supplied for walls up to 8" thick. Recommended operating pressure shall be 35-70 psi. Valve shall withstand pressures up to 90 psi. The maximum length for tubing between the push button actuator and the valve is 10 feet. The pneumatic system is entirely self-contained and shall require no outside air supply. Cost reducing manifolded valves shall consist of multiple valve assemblies served by a common supply line.

Model Number:

- PM2R Dual Temp. Metering
- PS2R Dual Temp. Non-metering

Wall Thickness (choose one):

- 1" (PM-2F-1.0-S-1)
- 4" (PM-2F-1.0-S-4)
- 6" (PM-2F-1.0-S-6)
- 8" (PM-2F-1.0-S-8)

Inlet Connection (choose one):

- 3/4"
- 1"

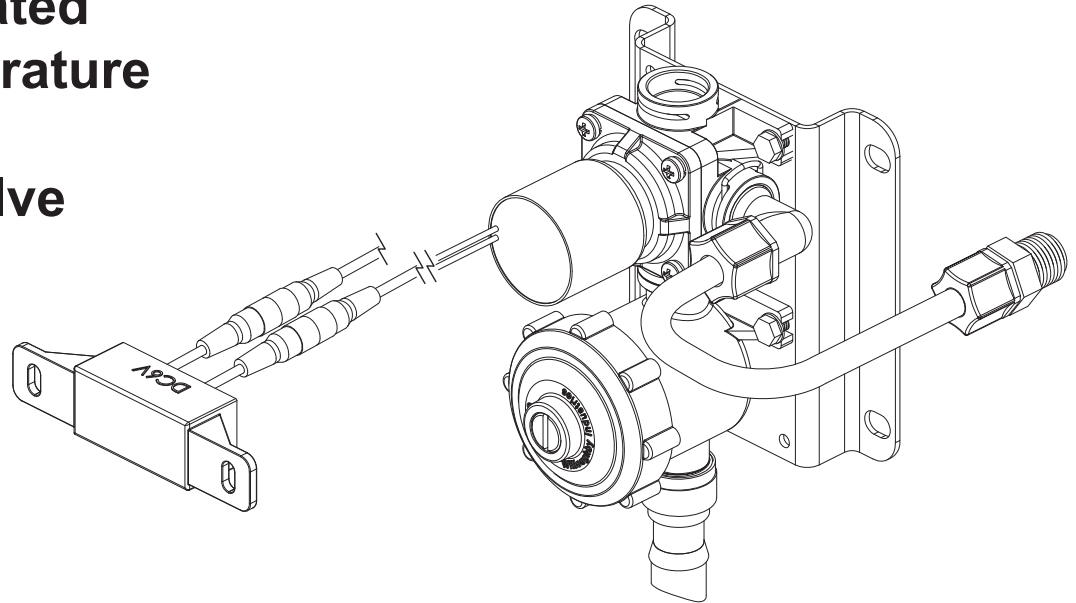
Options:

- MA2 (Double Manifold, No flow limitation)
- MA3 (Triple Manifold, 0.5 GPM flow only)
- MA4 (Quad Manifold, 0.5 GPM flow only)
- TMV In-line Thermostatic Mixing Valve

* This is not a substitute for a thermostatic mixing valve. The delivered water temperature is the result of the two combined inlet temperatures and cannot be adjusted by this valve assembly. The hot side of the valve must be supplied with tempered water.

** Push buttons require minimum \varnothing 1-5/16" round or 1-1/8" square backsplash openings.

EBL1 Battery Operated Single Temperature Lead-free Electronic Valve



Recommended Specifications

Battery Operated, Single Temperature, Lead-free, Electronic Valve assembly shall be: Willoughby Model No. **EBL1**
(Select from options list)

For washfountain use exclusively, the Battery Operated Electronic Valve assembly uses a 6V DC battery pack to power a latching valve coil solenoid controlled by an infrared sensor. The vandal-resistant infrared sensors shall be non-removable from the front of the fixture, each activating an independent valve assembly within 1-2 seconds of detection.

The plastic valve checkstop/strainers shall feature integral mounting points. Replaceable stainless steel strainer and optional 0.5 GPM flow control can be serviced without disturbing the supply line. Assembly shall use flexible tubing to connect to the spray-head/filler/bubbler. Water inlet is 1/2" MPT and is reversible for either top or bottom supply. A galvanized mounting plate is provided for mounting within the fixture.

Recommended operating pressure shall be 35-70 psi. Valve shall withstand pressures up to 90 psi. Cost-reducing manifolded valves shall consist of multiple valve assemblies served by a common supply line. Each 6V latching valve coil shall require an individual DC battery pack using (4) AA-type batteries for valve operation (supplied by manufacturer).

Valve complies with NSF-61 standard.

Model Number:

EBL1 Single Temp. Battery Operated

Options:

- MA2 (Double Manifold, no flow limitation)
- MA3 (Triple Manifold, 0.5 GPM flow only)
- MA4 (Quad Manifold, 0.5 GPM flow only)
- TMV In-line Thermostatic Mixing Valve

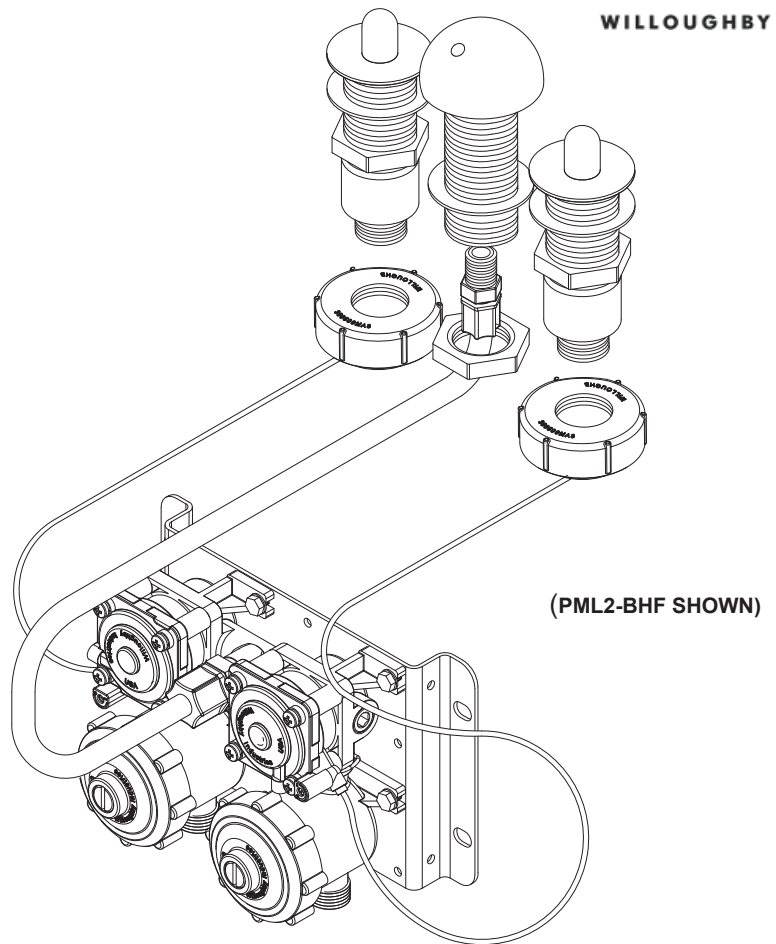
visit our website at www.willoughby-ind.com

5105 West 78th Street • Indianapolis, IN. 46268
(317) 875-0830 • Fax: (317) 875-0837 • (800) 428-4065



MADE IN THE U.S.A.

PML-BHF Lead-free Behavioral Healthcare Pneumatic Faucet



Recommended Specifications

Lead-free Behavioral Healthcare Pneumatic Faucet shall be:
Willoughby Model No. **PML-BHF**
(Select from options list on the following page)

The Behavioral Healthcare Faucet is designed to either retrofit existing lavatories or be specified for new design. Faucet shall be deck mounted, requiring (3) $\text{\O}1\text{-}5/16\text{'}$ to $\text{\O}1\text{-}1/2\text{'}$ faucet holes (faucet holes between 4" centerset to 8" centerset are recommended). Bubbler and push buttons shall be machined from T303 stainless steel and shall have ligature-resistant hemispherical designs.

Valve constructed of stainless steel and plastic materials and complies with NSF-61 standard. The valve assembly shall use a diaphragm to pneumatically activate a non-hold-open metering (5-90 second) pneumatic valve assembly. The push button shall require less than 5 lbs. of force to operate. Vandal resistant stainless steel push button and keyed pump body shall be non-removable from the top of the fixture deck. The valve flow is 0.5 GPM.

The plastic valve checkstop/strainer shall feature integral mounting points. Replaceable stainless steel strainer and optional 0.5 GPM flow control can be serviced without disturbing the supply line. Assembly shall use flexible tubing to connect to the filler/bubbler. Water inlet is $1/2\text{'}$ MPT and is reversible for either top or bottom supply. A galvanized wall mounting plate is provided, wall anchoring hardware provided by others.

Recommended operating pressure shall be 35-70 psi. Valve shall withstand pressures up to 90 psi. The maximum length for tubing between the push button actuator and the valve is 10 feet. The pneumatic system is entirely self-contained and shall require no outside air supply.

* The PML2 valve is not a substitute for a thermostatic mixing valve. In dual temperature valves, the delivered water temperature is the result of the two combined inlet temperatures and cannot be adjusted by this valve assembly. The hot side of the valve must be supplied with tempered water.

An In-line Thermostatic Mixing Valve (TMV) is available (select from options list on the following page).

visit our website at www.willoughby-ind.com
5105 West 78th Street • Indianapolis, IN. 46268
(317) 875-0830 • Fax: (317) 875-0837 • (800) 428-4065



MADE IN THE U.S.A.

MODEL NUMBER AND OPTIONS:

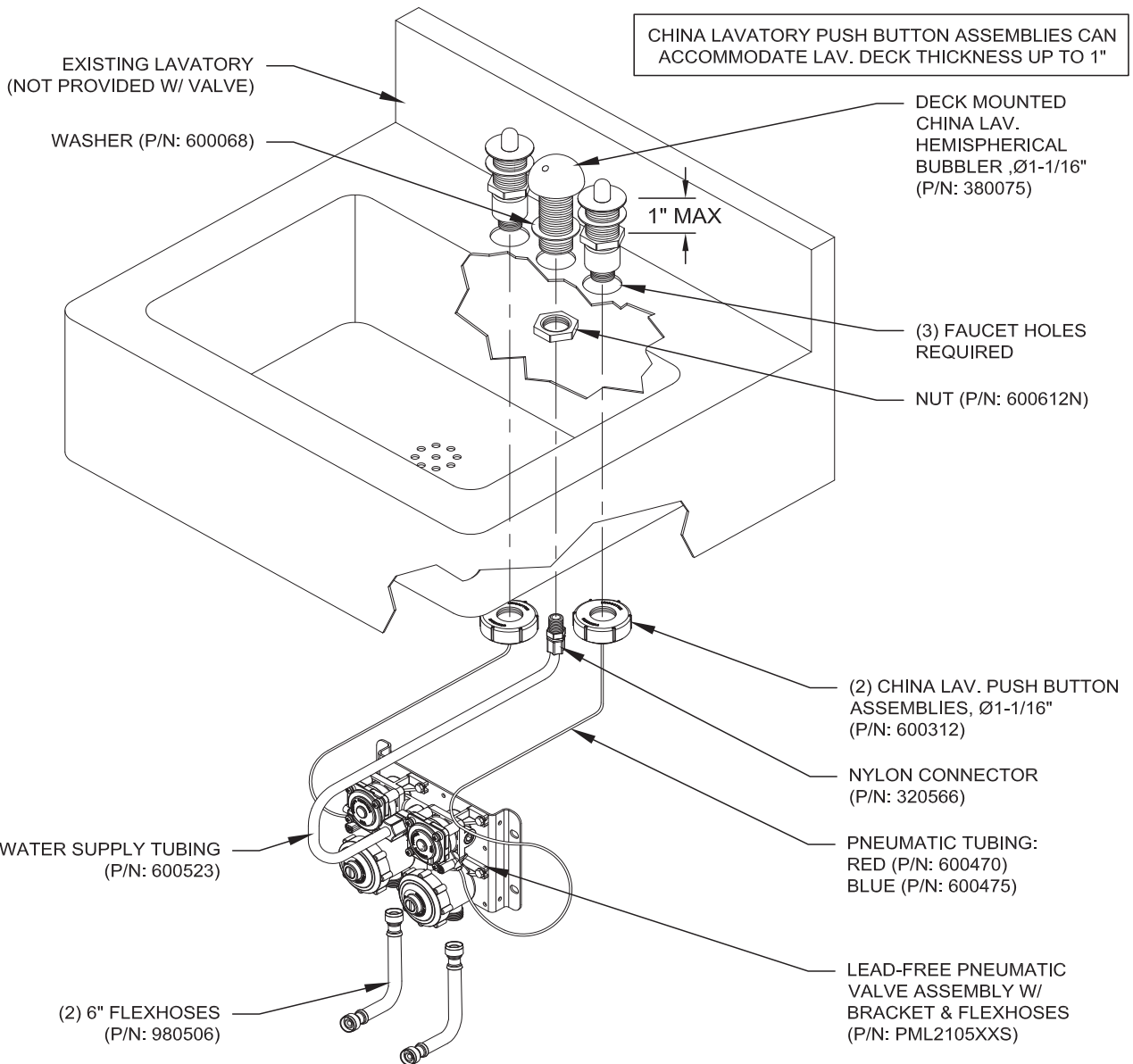
1.) Valve Selection: (Choose One)

- PML1-BHF Single Temperature Metering Valve
- PML2-BHF Dual Temperature Metering Valve

2.) Options:

- TMV In-line Thermostatic Mixing Valve

Approved For Manufacturing By: _____ Date: _____ Company: _____
 Wall Thickness: _____ Wall Type: _____



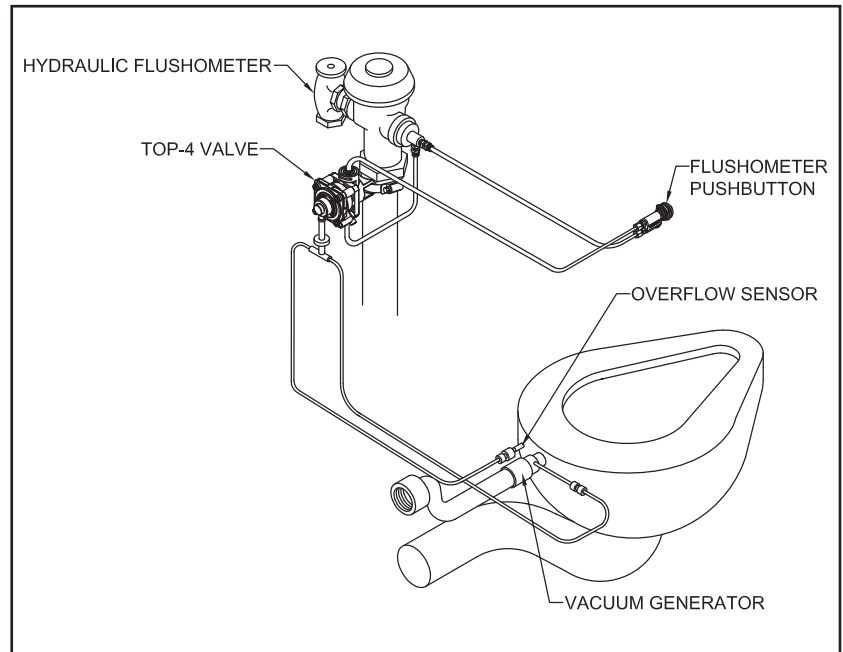
VERIFY ALL DIMENSIONS WITH FACTORY PRIOR TO ROUGH-IN
 WILLOUGHBY RESERVES THE RIGHT TO MAKE CHANGES IN DESIGN AND DIMENSIONS WITHOUT FORMAL NOTICE AND WITHOUT INCURRING OBLIGATION.

visit our website at www.willoughby-ind.com
 5105 West 78th Street • Indianapolis, IN. 46268
 (317) 875-0830 • Fax: (317) 875-0837 • (800) 428-4065



MADE IN THE U.S.A.

T4 Toilet Overflow Preventer



Recommended Specifications

Toilet overflow preventer shall be: Willoughby Model No. **T4**

The toilet overflow preventer shall be installed on a Willoughby toilet or combination toilet/lavatory fixture to prevent overflow. The unit shall consist of a vacuum operated disabler, a vacuum generator and an overflow sensor.

The vacuum generator and overflow sensor shall be factory installed in all specially modified fixtures. The disabler valve shall be installed in the control circuit of a hydraulic flushometer. Vacuum connections between the disabler valve and the fixture shall be polyethylene tubing.

After a backup, the unit shall be manually reset by a push button on the disabler valve. The unit shall allow no overflow and require no outside power source.

Applications

The toilet overflow preventer is recommended for facilities with high vandalism (prisons, parks, schools, etc.) and is normally used in conjunction with a back supply toilet or combination unit where an accessible pipe chase is provided.

Operation

During each flush cycle, water flowing through the fixture produces a vacuum at the vacuum generator. Normally, this vacuum is drawn unrestricted through the overflow sensor.

Should the water level in the bowl rise due to intentional blocking of the drain or a clog downstream of the fixture, it will cover the opening of the sensor.

When water is drawn into the sensor, the majority of the vacuum will be redirected to the disabler valve. The disabler valve is normally open vacuum operated installed in the control circuit of a hydraulic flushometer. The vacuum closes the disabler valve thereby preventing any additional flushes until the unit is manually reset.

T4A Toilet Overflow Preventer with Auto-Reset

Recommended Specifications

Auto-reset toilet overflow preventer shall be:
Willoughby Model No. **T4A**

The toilet overflow preventer shall be installed on a Willoughby toilet or combination toilet/lavatory fixture to prevent overflow.

The unit shall consist of a vacuum operated disabler, a vacuum generator, an overflow sensor and a float sensor canister. The vacuum generator and overflow sensor shall be factory installed in all specially modified fixtures. The disabler valve shall be installed in the control circuit of a hydraulic flushometer. Vacuum connections between the disabler valve and the fixture shall be polyethylene tubing.

After a backup, the unit shall automatically reset by the lowering of the water in the toilet bowl to normal level. The unit shall allow no overflow and require no outside power source.

Applications

The toilet overflow preventer is recommended for facilities with high vandalism (prisons, parks, schools, etc.), and is normally used in conjunction with a back supply toilet or combination unit where an accessible pipe chase is provided.

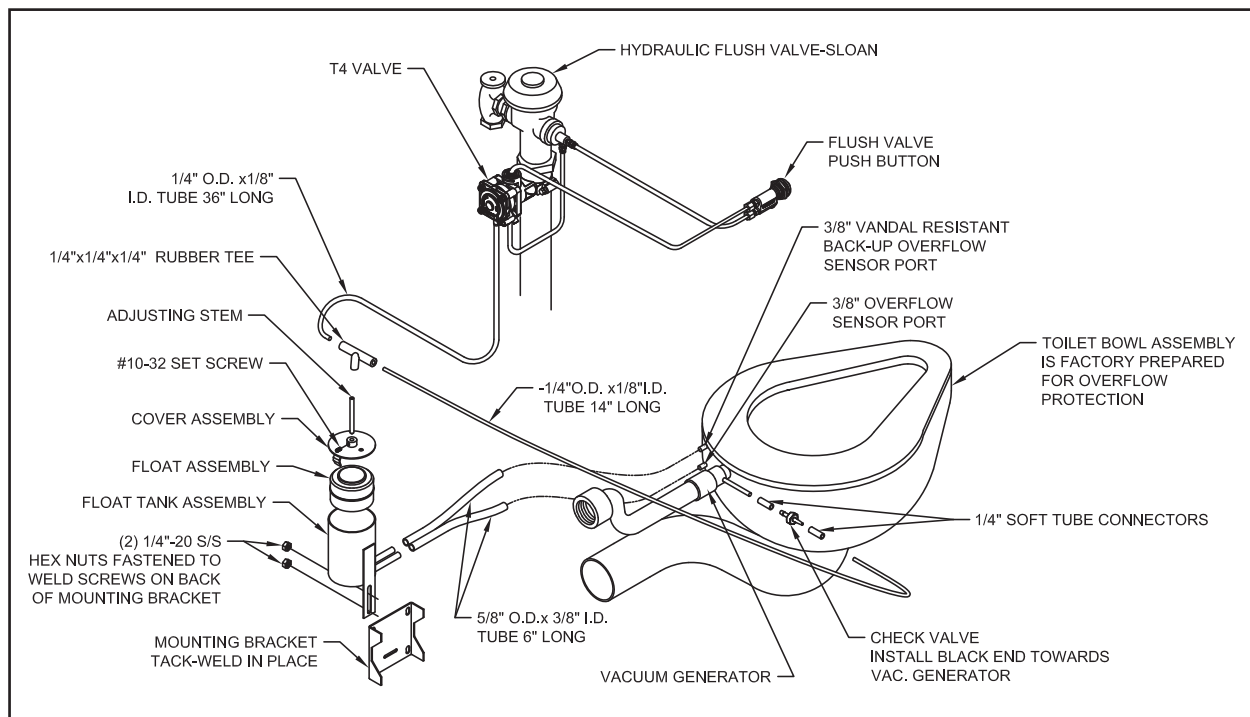
Operation

During each flush cycle, water flowing through the fixture produces a vacuum at the vacuum generator. Normally, this vacuum is drawn unrestricted through the overflow sensor.

Should the water level in the bowl rise due to intentional blockage or down stream obstruction, water covers the overflow sensor port and fills the float canister. The float rises and directs the vacuum to the disabler valve.

The disabler valve is normally open vacuum operated valve installed in the control circuit of a hydraulic flushometer. The vacuum closes the disabler valve thereby preventing any additional flushes until the water level in the toilet bowl returns to normal.

When the water level drops, the float canister drains back to the toilet bowl lowering the float. Once the float lowers to its normal position it permits air to enter the system which opens the disabler valve and allows normal flush operation.

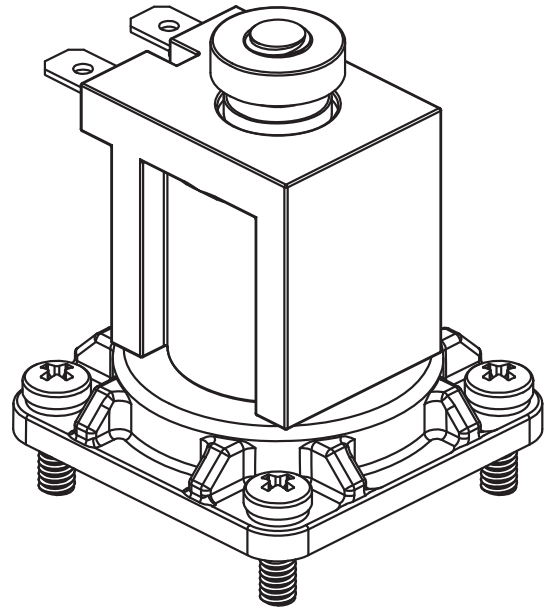


visit our website at www.willoughby-ind.com
5105 West 78th Street • Indianapolis, IN. 46268
(317) 875-0830 • Fax: (317) 875-0837 • (800) 428-4065



MADE IN THE U.S.A.

EVK-4 Lead-free Electronic Valve Retrofit / Rebuild Kit



Recommended Specifications

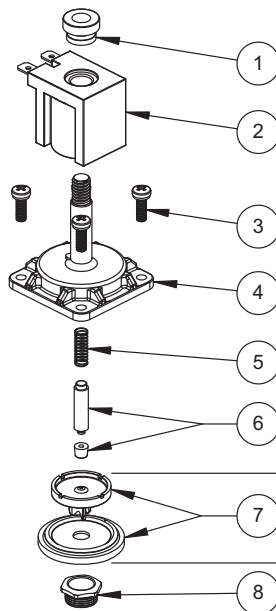
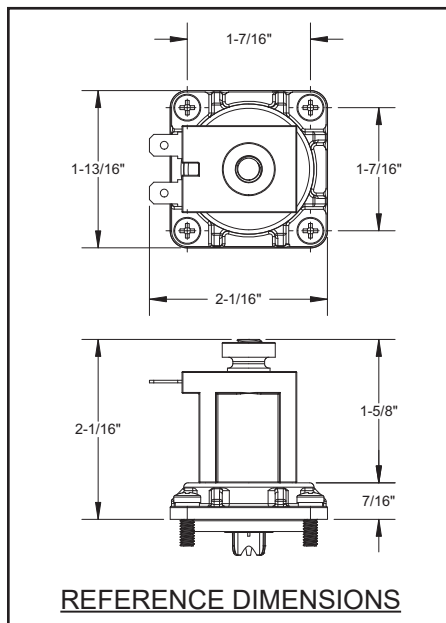
Lead-free Electronic Valve Retrofit / Rebuild Kit shall be:
Willoughby Model No. **EVK-4**

Lead-free Electronic Valve Retrofit / Rebuild Kit can be used to retrofit an existing pneumatic valve to electronic operation; it can also be used to rebuild an existing electronic valve, to restore a fixture to proper operation.

Valve Kit components shall comply with NSF-61 standard.

Recommended operating pressure shall be 35-70 psi. Valve shall withstand pressures up to 90 psi. Controller and 24VAC power source shall be required for a timer and valve operation. (Controller and Transformer each sold separately)

Note: Parts listed in EVK-4 are available individually; PVK-3 Parts are available in kit form only.



ITEM #	PART #	DESCRIPTION	QTY.
1	980534	NYLON NUT, 5/16-18	1
2	980532	COIL, 24V AC	1
3	980170A	#8-32 x 1/2" SCREW W/SEMS SPLIT L/W	4
4	980530	ARMATURE CAP, 24V VALVE	1
5	980533	SPRING, 5/8 24v VALVE	1
6	980565	ARMATURE BUMPER ASSEMBLY, EL VALVE	1
7	980305	WATER SIDE DIAPHRAGM/ADAPTOR ASSY.	1
8	380897	VALVE SEAT, w/O-RING	1

PVK-3 (ITEM #: 7)

visit our website at www.willoughby-ind.com
5105 West 78th Street • Indianapolis, IN. 46268
(317) 875-0830 • Fax: (317) 875-0837 • (800) 428-4065



MADE IN THE U.S.A.

VALVE MANIFOLDING

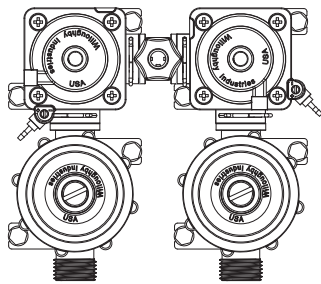
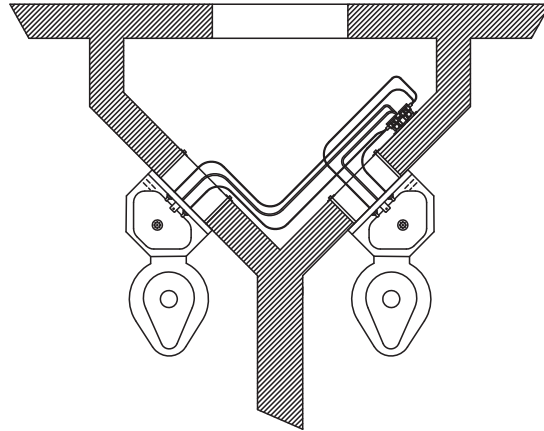
Valve Manifolding

"MANIFOLDING" Willoughby's suffix "MA" allows for the operation of up to four fixtures from a common pair of Hot/Cold supply lines.

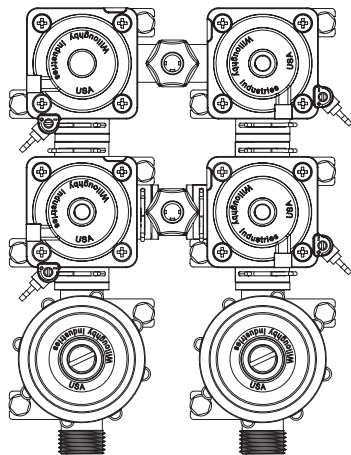
Primary Advantages

- Reduces installation costs, labor & materials
- Easy access for maintenance
- Adds flexibility to your design

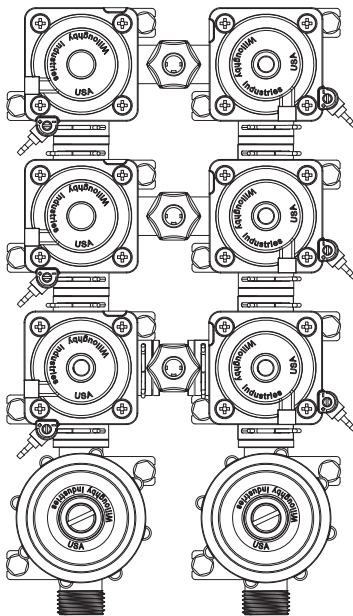
To specify, add suffix "MA" to valve model number followed by 2, 3, or 4 to indicate number of fixtures to be manifolded.



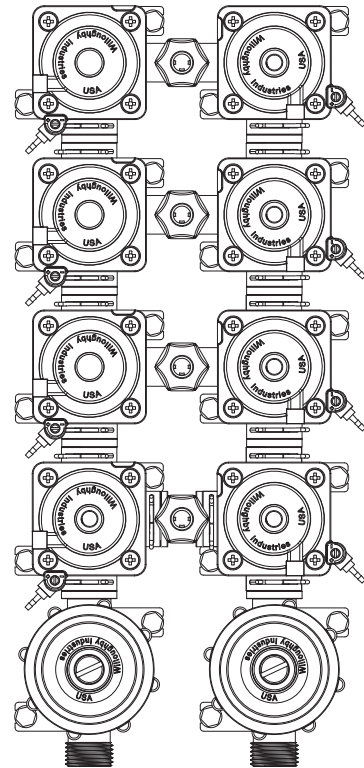
SINGLE UNIT
(1 FIXTURE)



DUAL MANIFOLD
-MA2 (2 FIXTURES)



TRI MANIFOLD
-MA3 (3 FIXTURES)



QUAD MANIFOLD
-MA4 (4 FIXTURES)

visit our website at www.willoughby-ind.com

5105 West 78th Street • Indianapolis, IN. 46268

(317) 875-0830 • Fax: (317) 875-0837 • (800) 428-4065



MADE IN THE U.S.A.

VALVE CHARACTERISTICS

Valve Series	For Lavatory Use	For Drinking Fountain Use	For Shower Use	Barrier Free	Pushbutton Activation	Valve Operation	Metering Control	Non-Hold Open Feature	Metering Range	Checksops & Strainers	Manifold Capability	Remote Mounting Distance	Type of Inlets	Power Source Required
ME	Yes	No	Yes	No	Mech.	Mech.	Hyd.	No	5-60	Yes	No	N/A	1/2" FPT	No
SC	Yes	No	No	No	Mech.	Mech.	N/A	N/A	N/A	Yes	No	N/A	1/2" FPT	No
PM	Yes	No	Yes	Yes	Pneu.	Pneu.	Pneu.	Yes	5-90 Sec.	Yes	Yes	Up to 10'	1/2" FPT	No
PS	Yes	Yes	No	Yes	Pneu.	Pneu.	N/A	N/A	N/A	Yes	Yes	Up to 10'	1/2" FPT	No
EL	Yes	No	Yes	Yes	Pneu. Elec.	Elec.	Elec.	Yes	1-Sec. 15 min.	Yes	Yes	10'+	1/2" FPT	Yes

Note: Willoughby valves do not control water temperatures and shall not be used in lieu of tempering valves. For more information on tempering valves, please contact the factory 1-800-428-4065.

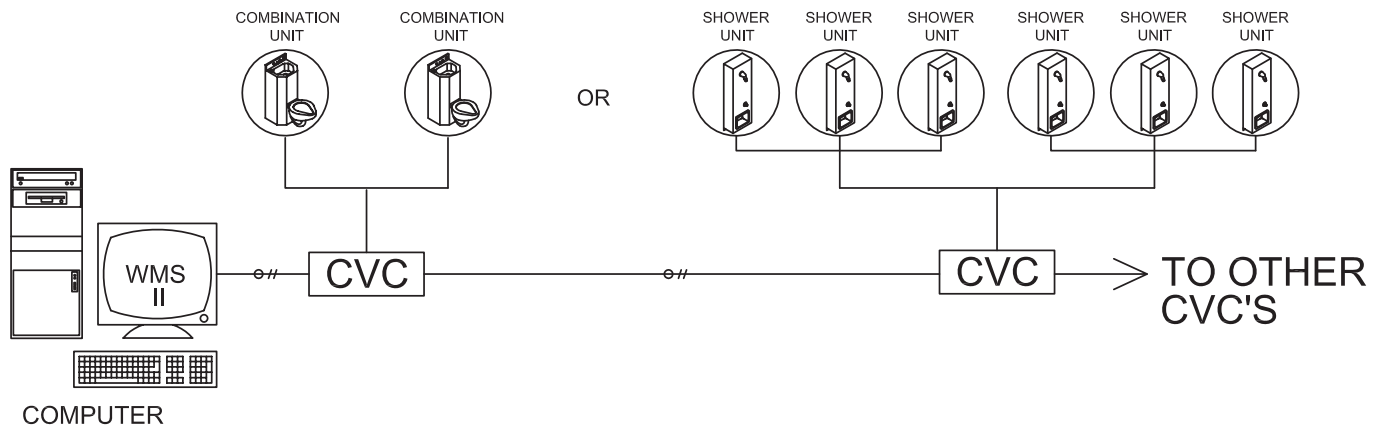




(Page Intentionally Left Blank)



WMS II Water Management System- Networked



Recommended Specifications

Electronic water management system shall be:
Willoughby Model: **WMS II**

Water management system shall be PC based and running on a Windows XP, Windows 7 or newer operating system. PC shall serve as the operator interface serving multiple individual trunks of networked Cell Valve Controllers.

Individual Cell Valve Controllers (CVC's) shall be located in the plumbing chase and shall control the operation of electronic lavatory valves, electronic shower valves and electronic-hydraulic flush valves. An option shall also be provided to control the operation of a master shut-off valve that provides water to an area of several cells or fixtures.

CVC's shall require 24 volts AC for operation and shall retain all memory of settings in the event of power interruption. System manufacturer shall supply 120/24 VAC step down transformers. Each CVC shall be capable of controlling up to 2 lavatory/toilet combination units (1 hot valve, 1 cold valve and 1 flush valve for each unit), 3 individual lavatories or up to 4 toilets with overflow sensing (6 toilets without overflow sensing) or combinations thereof for a total of 6 individual low voltage solenoid valves. CVC's shall be modular and capable of operating in a fully networked or stand-alone configuration.

A diagnostic light on the CVC indicates the presence of control power in the CVC. A flashing light indicates the computer in the CVC is operational. Another flashing light indicates network communication activity.

Valve output lights on the CVC shall provide the status of all valve outputs. An additional set of lights shall indicate the presence and type of any lockout condition on valve function.

Diagnostic push buttons on the CVC shall also be provided to enable maintenance personnel to activate valves and overflow functions from the plumbing chase.

Valve activation shall come from vandal-resistant stainless steel internally sealed push buttons. Push buttons shall require less than 5 pounds of force to activate. Push button housing shall be isolated from the low voltage wiring.

All solenoid valves shall be non-hold open and all metering times shall be independently adjustable. Metering time for each valve shall be adjustable from 1 to 60 seconds for each lavatory valve, 1 to 10 seconds for each flush valve and 1 second to 9 minutes and 59 seconds for each shower valve. Metering cycles shall be interruptible with a second push of the button. All the settings can either be set for a single fixture or a mass selection of all fixtures of the same type on the PC screen.

A programmable re-initiate delay feature for fixture functions shall be provided to control their amount of use to a preset threshold after which the function will be locked out for a preset period of time of up to four hours. A parallel pre-initiate delay feature shall also be provided to insert time between switch actuation and the subsequent valve actuation.

(CONTINUED ON BACK OF PAGE)



Configurable overuse limits shall be provided to control the amount of use of all fixture functions within a programmable time period of up to 24 hours. Overuse control shall be configurable to trigger only notification, latched lock out of the fixture function, or auto-limit of fixture function to prevent its overuse.

A fully networked system shall consist of CVC's in the plumbing chases and a PC workstation located in a control room which has a PC with a 15" or larger color monitor. Optional touch screen interface shall be available as an option.

The PC workstation shall display all fixtures and indicate their operations graphically in row and column format. An option to provide a representation of the facility floor plan may also be selected.

The workstation shall be capable of controlling up to 4 networks, each consisting of a maximum 127 nodes and up to 4,000 ft. of network wiring. Twisted 3-pair cable of CAT 3 rating shall be used for all network wiring (provided by others). Stand-alone CVC's not connected to a network shall be programmed via an optional portable device or programmed at the factory.

In the event of a loss of network communications or a loss of power, system timing parameters shall be retained in each CVC to allow fixtures to operate in the same way that they operated prior to the loss of power or the loss of network communications.

Supplied valve and switch cabling from the control board shall each be 8 feet with the option to easily add extensions if necessary for unique control mounting situations.

Note: Willoughby will require an electronic CAD file (DWG or DXF) of the facility floor plan identifying the fixtures to be controlled by the WMSII system.

1.) Control System:

- WMSII

2.) Control Station:

- Desktop PC
 - Standard Monitor (LCD)
 - Touch Screen (LCD) (additional cost)
- Laptop PC
- No PC (Stand-alone only)

4.) Other Options:

- Block Diagram Screen Layout (Standard)
- Floor Plan Screen Layout (additional cost)
- On-site Start-Up, Commissioning, and Training Session (must be scheduled 30 days prior to training and after complete installation and testing of the system)
- Other _____
- Other _____

THE NETWORKED SYSTEM SHALL BE CAPABLE OF:

- Enabling or disabling an individual fixture or an entire group of fixtures from the control station.
- Controlling the maximum number of simultaneous flushes (adjustable from 1 to 999) that can occur within a given time period (adjustable from 1 to 60 seconds).

(CONTINUED FROM BELOW):

- Automatically flushing a toilet after an adjustable period of non-use has passed to prevent trap from drying out and creating stagnate water.
- Allowing for remote actuation of fixtures from the control station
- Providing scheduled permit or lockout time periods per day for selected fixtures.
- Providing indication and reset capability of overflow alarms.
- Logging all valve activity chronologically including overuse and overflow occurrences.
- Providing 4 levels of security: view only, operator, supervisor, and administrator (Each level includes the functions of the previous lower level.)
- Providing an elapsed-time lock for a fixture to be dynamically locked for a specific period of time (adjustable from 1 minute - 4 hours)
- Providing an automatic actuation of fixture function at preset intervals (adjustable from 1 minute - 240 hours) (It can be used to remove all control from the fixture user and tie fixture function to regular timed intervals.)

◦ View-only Security Level

- Move between display screens
- Observe fixture activity on screens
- Observe any loss of communications to fixture controllers
- Log into a higher security level

◦ Operator Security Level

- Remote valve actuation
- Fixture lockout/reset
- Clear alarms (overflow and overuse)

◦ Supervisor Security Level

- Set and adjust valve timing
- Set and adjust initiate and re-initiate delays
- Set and adjust permit (lockout) schedules
- Set and adjust overuse limits and responses
- Set alarm display options
- Turn on and set FlushGuard to limit simultaneous flushes
- Access fixture event log (if enabled by administrator)
- Use log files to analyze water-consumption history
- Enable and disable sound effects
- Access system user log file (if enabled by administrator)
- Optional selection of a 24 hour point at which all over-use counts will be reset

◦ Administrator Security Level

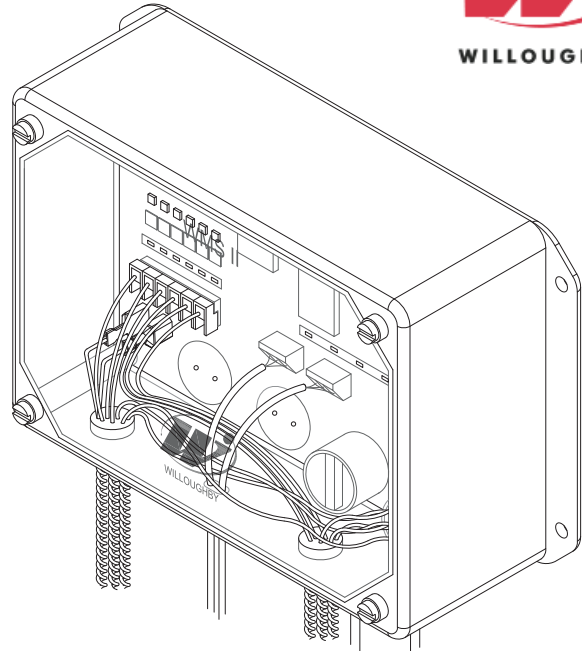
- Create system user accounts with name, password, and security level defined
- Set and adjust network communication settings
- Enable and configure remote client connections to server
- Configure fixture event log files and user activity log files
- Set sound files to be used when sound feature is enabled



MADE IN THE U.S.A.

visit our website at www.willoughby-ind.com
5105 West 78th Street • Indianapolis, IN. 46268
(317) 875-0830 • Fax: (317) 875-0837 • (800) 428-4065

CVC2 Willoughby WMS II Cell Valve Controller



Recommended Specifications

Electronic water management Cell Valve Controller shall be:
Willoughby Model: **CVC2**

Willoughby WMS II Cell Valve Controllers (CVCs) shall be located in the plumbing chase and shall control the operation of selected electronic lavatory valves, electronic shower valves, and electronic toilet flush valves.

CVCs are modular, factory-wired, and capable of operating in either stand-alone or fully-networked configurations (See WMS II Spec Page for networking details). A fully-networked system of chase-mounted CVCs can be controlled using Willoughby electronic Water Management Software installed on a secure central control room PC workstation.

Each CVC shall be capable of controlling up to six (6) individual low-voltage solenoid valves. Possible configurations include:

- (2) Lavatory/toilet combination units (each combination unit having (2) lavatory valves (hot & cold) and (1) flush valve)
- (3) Individual lavatories (hot and cold)
- (4) Toilets with overflow sensing
- (6) Toilets without overflow sensing
- (6) Single temperature showers
- Any combination totalling not more than (6) individual valves

CVCs shall require 24 Volt AC for operation and shall retain all memory of settings in the event of power interruption. System manufacturer shall supply a hard-wire 120/24 VAC 40VA step down transformer (option TF24H) with each controller A plug-in transformer is also available (option TF24P). The CVC's electronic circuitry shall be encased in a water-resistant (not waterproof) enclosure; as with all electrical and electronic equipment, avoid contact with water especially once connected to the power supply.

Standard Features

Each valve activation shall be controlled by a vandal-resistant, internally-sealed, stainless steel push button. Each push button shall require less than 5 lbs. of force to activate.

All solenoid valves shall be non-hold-open and all metering times shall be independently adjustable for each valve:

- (1 to 60 sec.) for each lavatory valve
- (1 to 10 sec.) for each flush valve
- (1 sec. to 9 min. 59 sec.) for each shower valve

Metering cycles can be interrupted with a second button push.

Diagnostic push buttons on the CVC will enable maintenance personnel to activate valves and overflow functions from the chase.

CVCs shall also include separate diagnostic lights to indicate:

- Presence of control power in the CVC
- Network communication activity (in networked CVCs)
- Status of all valve outputs
- Presence and type of any lockout condition on valve function

A programmable re-initiate delay feature shall be provided to control amount of fixture use to a preset threshold. Once the fixture use threshold has been reached, function will be locked-out for a preset time period (up to 4 hours).

A parallel pre-initiate delay feature shall also be provided to insert time between switch actuation and the subsequent valve actuation.

Configurable overuse limits shall be provided to control the amount of use of all fixture functions within a programmable time period of up to 24 hours. Overuse control shall be configurable to trigger only notification, latched lock-out of the fixture function, or auto-limit of fixture function to prevent its overuse.

MODEL NUMBER AND OPTIONS:

1.) Control System:

- CVC2 Cell Valve Controller

2.) Control Station:

- Stand-alone (Standard)
- Networked PC (Additional Cost)
- Laptop PC (Additional Cost)
(Laptop PC recommended for field-adjustment of CVC settings)

3.) Toilet Parameter Configuration:

Number of Toilets with Overflow Sensing: _____ (4 max.)

Number of Toilets w/o Overflow Sensing: _____ (6 max.)

- (3) Flushes per (1 Hr.) with (1 Hr.) Lock-out
- Custom: (___) Flushes per (___ Hr.), with (___ Hr.) Lock-out

4.) Lavatory Parameter Configuration:

Number of Lavatories: _____ Single or Dual Temp: _____

- (15 sec.) per Button-push, (5 min.) of Water Flow per (30 min.)
- Custom: (___ sec.) per Button-push,
(___ min.) of Water Flow per (___ min.)
with (___ min.) Lock-out

5.) Shower Parameter Configuration:

Number of Showers: _____ Single or Dual Temp: _____

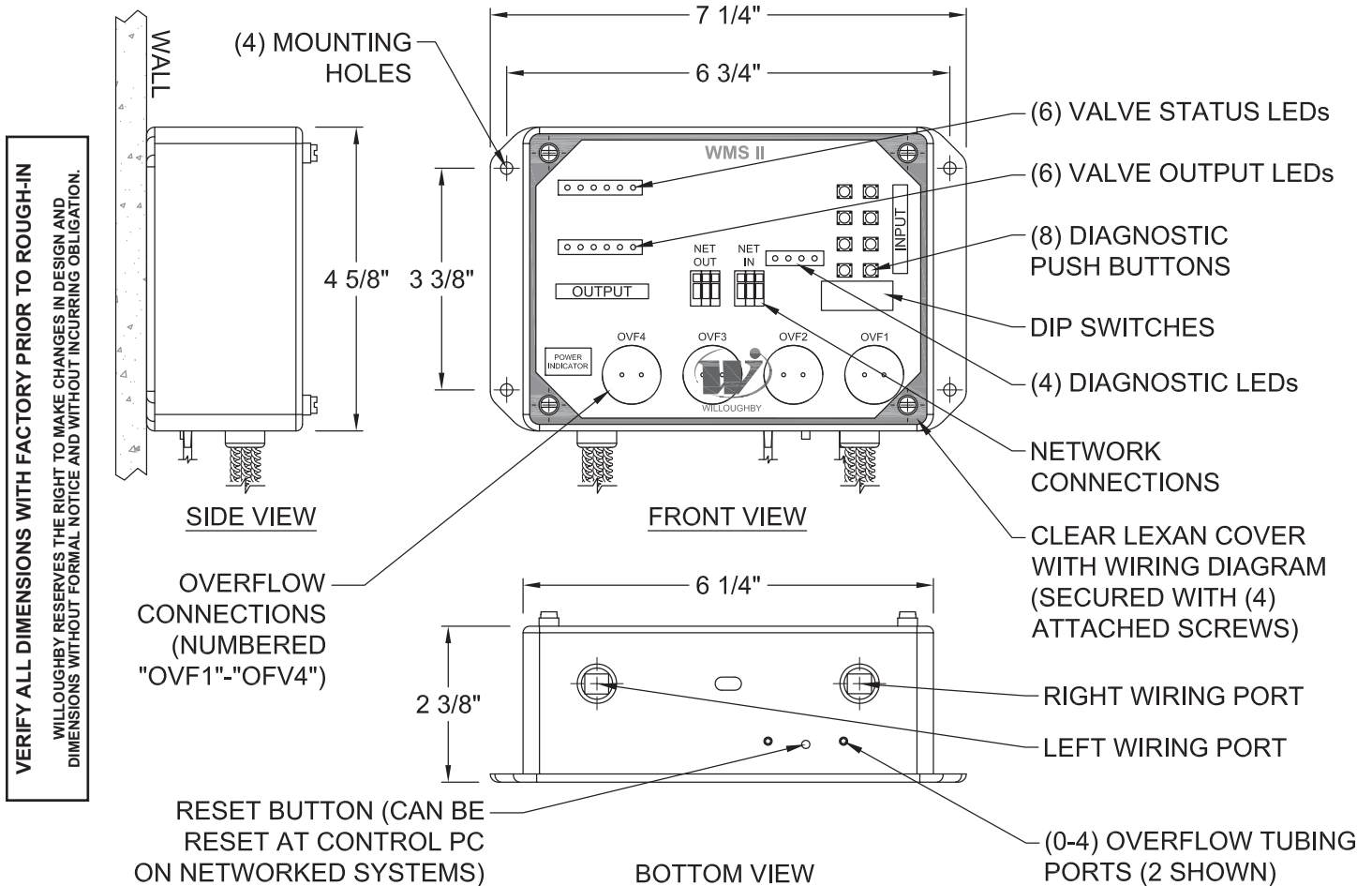
- (2 min.) per Button-push, (8 min.) of Water Flow per (30 min.),
with (30 min.) Lock-out
- Custom: (___ min.) per Button-push,
(___ min.) of Water Flow per (___ min.),
with (___ min.) Lock-out

6.) Other Options:

- Block Diagram Screen Layout (Standard for Tablet PC)
- Floor Plan Screen Layout (Additional cost for Tablet PC)
- On-site Start-Up, Commissioning, and Training Session
(must be scheduled 30 days prior to training and after
complete installation and testing of the system)
- TF24H Hard-wired Transformer, 110VAC to 24VAC* (Standard)
- TF24P Plug-in Transformer, 110VAC to 24VAC*
- Other _____
- Other _____

*(Req 110V power through ground fault interrupter (GFCI) receptacle)

Approved For Manufacturing By: _____ Date: _____ Company: _____
Wall Thickness: _____ Wall Type: _____



visit our website at www.willoughby-ind.com

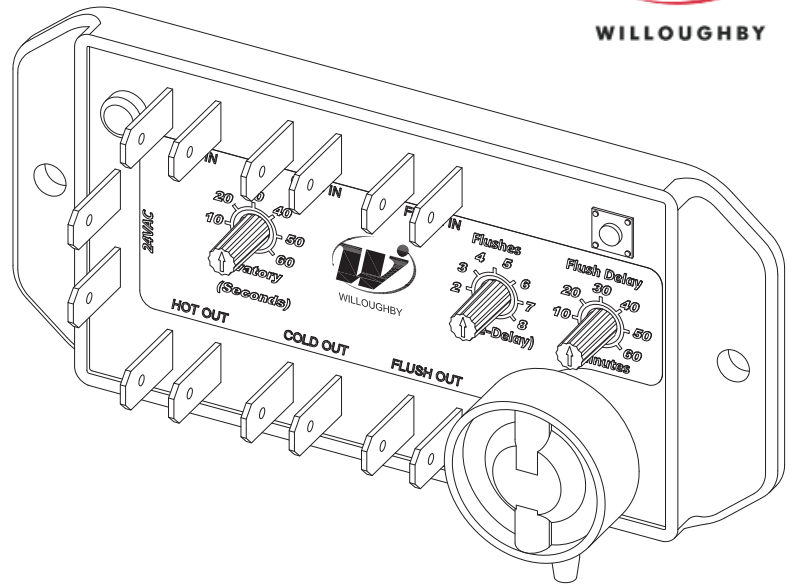
5105 West 78th Street • Indianapolis, IN. 46268

(317) 875-0830 • Fax: (317) 875-0837 • (800) 428-4065



MADE IN THE U.S.A.

WUCC-3010 Electronic Water Usage Combi Controller



Recommended Specifications

Electronic Water Usage Combi Controller shall be Willoughby Model: **WUCC-3010**

Combi Controller is a stand-alone electronic module designed to control the operation of electronic push button lavatory valve(s) and electronic push button toilet flush valve on a single Lavatory/Toilet Combination fixture from the utility chase.

Each Combi Controller shall be capable of controlling up to 3 low-voltage solenoid valves on a lavatory/toilet combination fixture, including:

- (2) lavatory valves (hot & cold)
- (1) electronic flush valve

Controller manufacturer shall supply a hard-wire 120/24 VAC 40VA step down transformer (option TF24H) with each controller. A plug-in transformer is also available (option TF24P). Combi Controller shall retain all functional settings after the event of power interruption. All electronic circuitry shall be encased in a water-resistant, epoxied enclosure. As with all electrical and electronic equipment, avoid contact with water, especially once connected to the power supply.

Standard Features

Each valve activation shall be controlled by a vandal-resistant, stainless steel push button (sold separately). Each push button shall require less than 5 lbs. of force to activate.

All solenoid valves shall be non-hold-open and all metering times shall be independently adjustable for each valve, with each function controlled by a separate control dial:

- (10 to 60 sec. run time) for each lavatory valve
Lavatory valve metering cycles can be interrupted with a second button push.
- (1 to 8 flushes, within 60 minute time period, before delay)
A preset re-initiate delay feature shall be provided to control amount of fixture toilet use within a 60 minute time period. Once a fixture flush valve has been activated the maximum number of flushes within a 60 minute time period, flushing function will be locked-out for the Pre-delay time period between 0 to 60 minutes.

Standard parallel pre-initiate delay feature shall insert a 4 second time delay between toilet flushes. An electronic toilet overflow sensor is integrated into the Combi Controller for use with fixture toilets manufactured with overflow sensor capabilities.

All input, output, and power functions of the Combi Controller shall have corresponding LED diagnostic lights for testing and monitoring. A reset push button on the controller will enable maintenance personnel to reset functionality from the chase.

MODEL NUMBER AND OPTIONS:

1.) Control System:

- WUCC-3010 Electronic Water Usage Combi Controller
(Contains Controller and all necessary cabling for installation, P/N: WUCC-KIT)

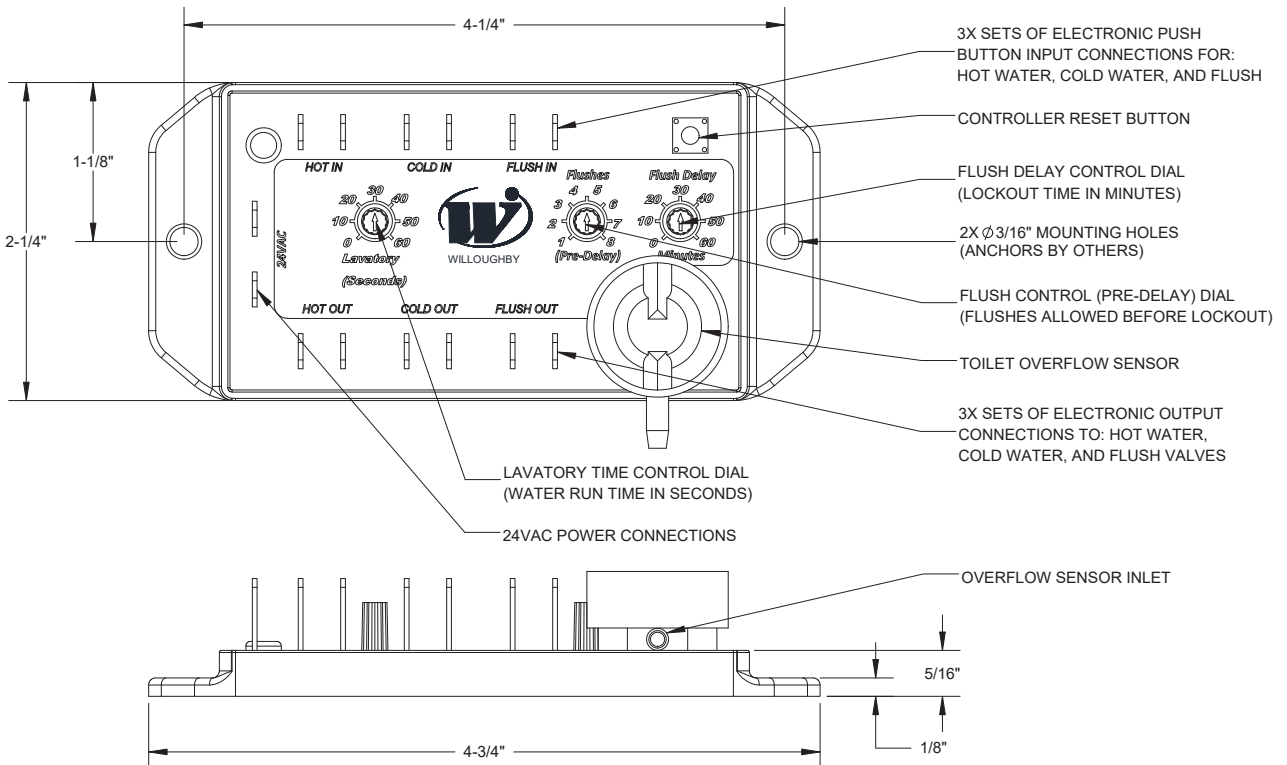
2.) Other Options:

- TF24H Hard-wired Transformer, 110VAC to 24VAC* (Standard)
- TF24P Plug-in Transformer, 110VAC to 24VAC*
- Other _____
- Other _____

*(Req 110V power through ground fault interrupter (GFCI) receptacle)

Approved For Manufacturing By: _____ Date: _____ Company: _____
 Wall Thickness: _____ Wall Type: _____

VERIFY ALL DIMENSIONS WITH FACTORY PRIOR TO ROUGH-IN
 WILLOUGHBY RESERVES THE RIGHT TO MAKE CHANGES IN DESIGN AND DIMENSIONS WITHOUT FORMAL NOTICE AND WITHOUT INCURRING OBLIGATION.

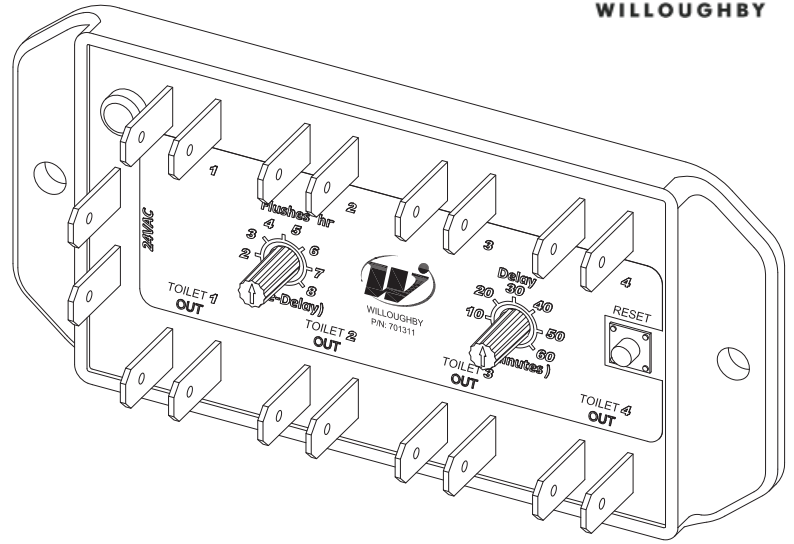


visit our website at www.willoughby-ind.com
 5105 West 78th Street • Indianapolis, IN. 46268
 (317) 875-0830 • Fax: (317) 875-0837 • (800) 428-4065



MADE IN THE U.S.A.

WUFC-4000 Electronic Water Usage Flush Controller



Recommended Specifications

Electronic Water Usage Flush Controller shall be Willoughby Model: **WUFC-4000**

Flush Controller is a stand-alone electronic module designed to control the operation of an electronic push button toilet flush valve on a Toilet fixture from the utility chase.

Each Flush Controller shall be capable of controlling up to 4 low-voltage solenoid flush valves.

Controller manufacturer shall supply a hard-wire 120/24 VAC 40VA step down transformer (option TF24H) with each controller. A plug-in transformer is also available (option TF24P). Flush Controller shall retain all functional settings after the event of power interruption. All electronic circuitry shall be encased in a water-resistant, epoxied enclosure. As with all electrical and electronic equipment, avoid contact with water, especially once connected to the power supply.

Standard Features

Each valve activation shall be controlled by a vandal-resistant, stainless steel push button (sold separately). Each push button shall require less than 5 lbs. of force to activate.

All solenoid valves shall be non-hold-open and all metering times shall be adjustable using the Flashes (Pre-delay) and Flush Delay control dials:

- (1 to 8 flushes, within 60 minute time period, before delay)
A preset re-initiate delay feature shall be provided to control amount of fixture toilet use within a 60 minute time period. Once a fixture flush valve has been activated the maximum number of flushes within a 60 minute time period, flushing function will be locked-out for the Pre-delay time period between 0 to 60 minutes.
- (4 sec. to 60 min. flush delay) Standard parallel pre-initiate delay feature shall insert a 4 second time delay between toilet flushes, with a maximum time delay of 60 minutes.

All input, output, and power functions of the Flush Controller shall have corresponding LED diagnostic lights for testing and monitoring. A reset push button on the controller will enable maintenance personnel to reset functionality from the chase.

MODEL NUMBER AND OPTIONS:

1.) Control System:

- WUFC-4000 Electronic Water Usage Flush Controller
(Contains Controller and all necessary cabling for installation, P/N: WUFC-KIT)

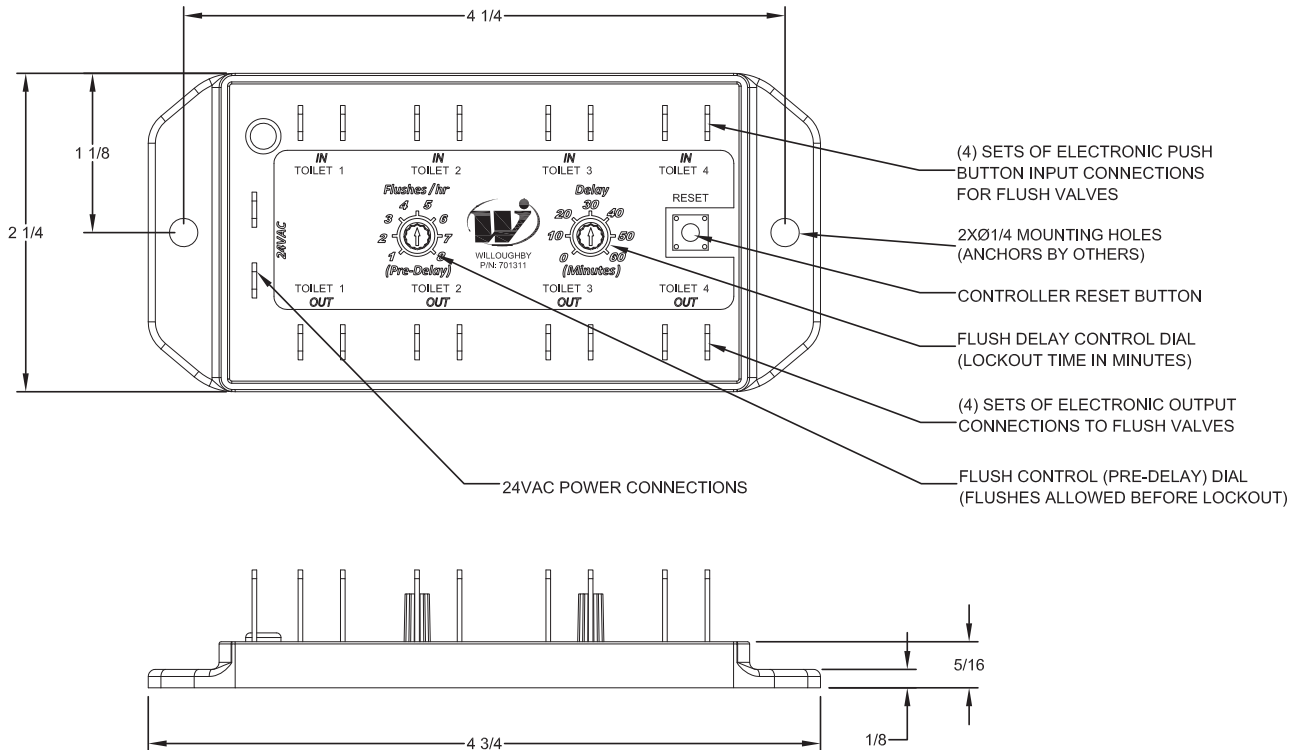
2.) Other Options:

- TF24H Hard-wired Transformer, 110VAC to 24VAC* (Standard)
- TF24P Plug-in Transformer, 110VAC to 24VAC*
- Other _____
- Other _____

*(Req 110V power through ground fault interrupter (GFCI) receptacle)

Approved For Manufacturing By: _____ Date: _____ Company: _____
 Wall Thickness: _____ Wall Type: _____

VERIFY ALL DIMENSIONS WITH FACTORY PRIOR TO ROUGH-IN
 WILLOUGHBY RESERVES THE RIGHT TO MAKE CHANGES IN DESIGN AND DIMENSIONS WITHOUT FORMAL NOTICE AND WITHOUT INCURRING OBLIGATION.

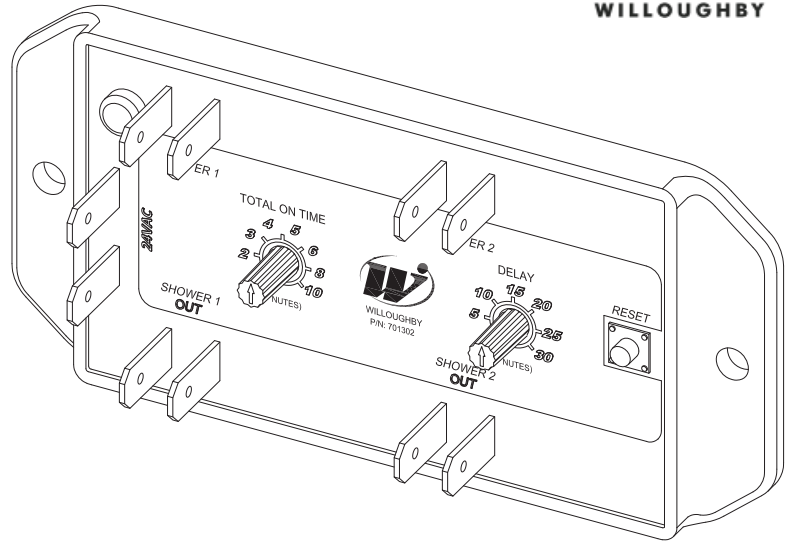


visit our website at www.willoughby-ind.com
 5105 West 78th Street • Indianapolis, IN. 46268
 (317) 875-0830 • Fax: (317) 875-0837 • (800) 428-4065



MADE IN THE U.S.A.

WUSC-2200 Electronic Water Usage 2-Shower Controller



Recommended Specifications

Electronic Water Usage 2-Shower Controller shall be:
Willoughby Model: **WUSC-2200**

Shower Controller is a stand-alone electronic module designed to control the operation of an electronic push button shower valve on a shower fixture from the utility chase.

Each 2-Shower Controller shall be capable of controlling up to 2 low-voltage solenoid shower valves.

Controller manufacturer shall supply a hard-wire 120/24 VAC 40VA step down transformer (option TF24H) with each controller. A plug-in transformer is also available (option TF24P). Shower Controller shall retain all functional settings after the event of power interruption. All electronic circuitry shall be encased in a water-resistant, epoxied enclosure. As with all electrical and electronic equipment, avoid contact with water, especially once connected to the power supply.

Standard Features

Each valve activation shall be controlled by a vandal-resistant, stainless steel push button (sold separately). Each push button shall require less than 5 lbs. of force to activate.

All solenoid valves shall be non-hold-open and all metering times shall be adjustable using the Total On Time and Delay control dials:

- (1 to 10 minutes Total On Time) Total On Time dial shall control the total time the electronic shower valves can run before activating the preset re-initiate delay feature. This shall limit the amount of fixture use to a preset threshold.
- (0 to 30 minute Delay) Delay dial shall control the lock-out time period. Once the fixture use Total On Time threshold has been reached, shower function will be locked-out for a time period between 0 to 30 minutes.

All input, output, and power functions of the Shower Controller shall have corresponding LED diagnostic lights for testing and monitoring. A reset push button on the controller will enable maintenance personnel to reset functionality from the chase.

MODEL NUMBER AND OPTIONS:

1.) Control System:

- WUSC-2200 Electronic Water Usage 2-Shower Controller
(Contains Controller and all necessary cabling for installation, P/N: WUSC-KIT)

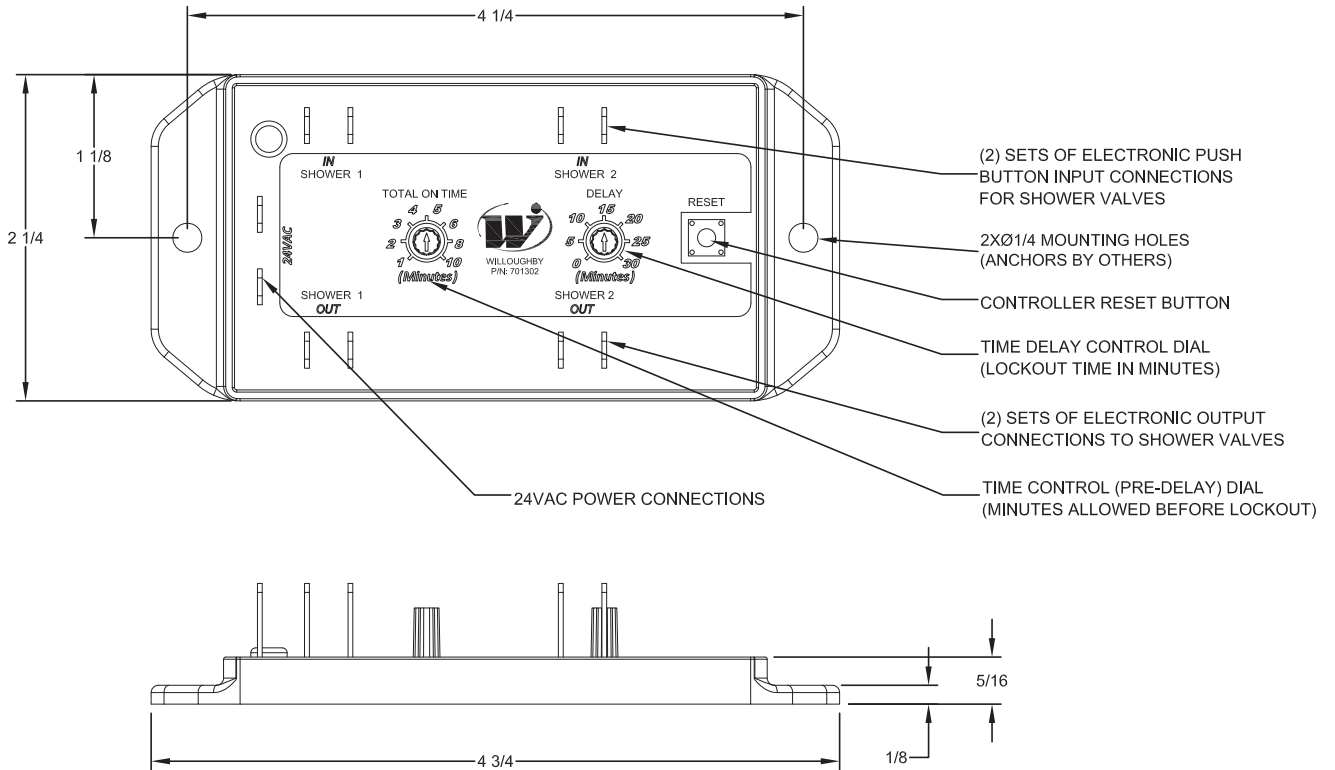
2.) Other Options:

- TF24H Hard-wired Transformer, 110VAC to 24VAC* (Standard)
- TF24P Plug-in Transformer, 110VAC to 24VAC*
- Other _____
- Other _____

*(Req 110V power through ground fault interrupter (GFCI) receptacle)

Approved For Manufacturing By: _____ Date: _____ Company: _____
 Wall Thickness: _____ Wall Type: _____

VERIFY ALL DIMENSIONS WITH FACTORY PRIOR TO ROUGH-IN
 WILLOUGHBY RESERVES THE RIGHT TO MAKE CHANGES IN DESIGN AND DIMENSIONS WITHOUT FORMAL NOTICE AND WITHOUT INCURRING OBLIGATION.

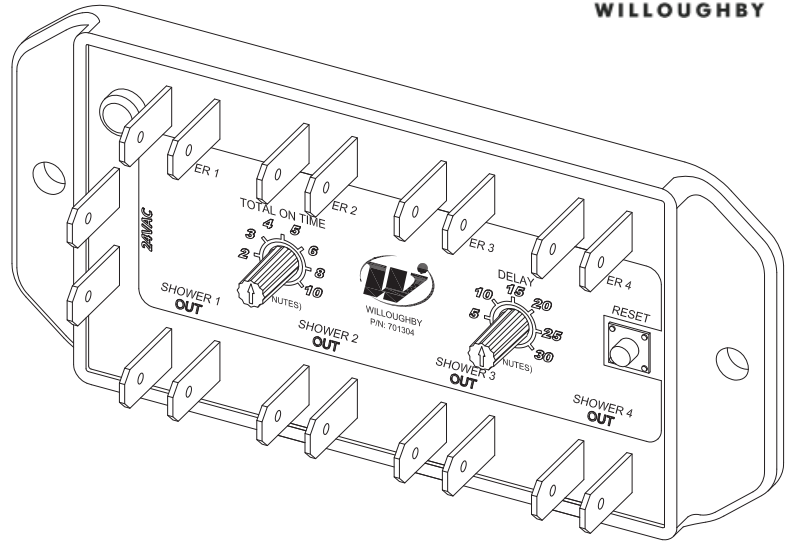


visit our website at www.willoughby-ind.com
 5105 West 78th Street • Indianapolis, IN. 46268
 (317) 875-0830 • Fax: (317) 875-0837 • (800) 428-4065



MADE IN THE U.S.A.

WUSC-2400 Electronic Water Usage 4-Shower Controller



Recommended Specifications

Electronic Water Usage 4-Shower Controller shall be:
Willoughby Model: **WUSC-2400**

Shower Controller is a stand-alone electronic module designed to control the operation of an electronic push button shower valve on a shower fixture from the utility chase.

Each 4-Shower Controller shall be capable of controlling up to 4 low-voltage solenoid shower valves.

Controller manufacturer shall supply a hard-wire 120/24 VAC 40VA step down transformer (option TF24H) with each controller. A plug-in transformer is also available (option TF24P). Shower Controller shall retain all functional settings after the event of power interruption. All electronic circuitry shall be encased in a water-resistant, epoxied enclosure. As with all electrical and electronic equipment, avoid contact with water, especially once connected to the power supply.

Standard Features

Each valve activation shall be controlled by a vandal-resistant, stainless steel push button (sold separately). Each push button shall require less than 5 lbs. of force to activate.

All solenoid valves shall be non-hold-open and all metering times shall be adjustable using the Total On Time and Delay control dials:

- (1 to 10 minutes Total On Time) Total On Time dial shall control the total time the electronic shower valves can run before activating the preset re-initiate delay feature. This shall limit the amount of fixture use to a preset threshold.
- (0 to 30 minute Delay) Delay dial shall control the lock-out time period. Once the fixture use Total On Time threshold has been reached, shower function will be locked-out for a time period between 0 to 30 minutes.

All input, output, and power functions of the Shower Controller shall have corresponding LED diagnostic lights for testing and monitoring. A reset push button on the controller will enable maintenance personnel to reset functionality from the chase.

MODEL NUMBER AND OPTIONS:

1.) Control System:

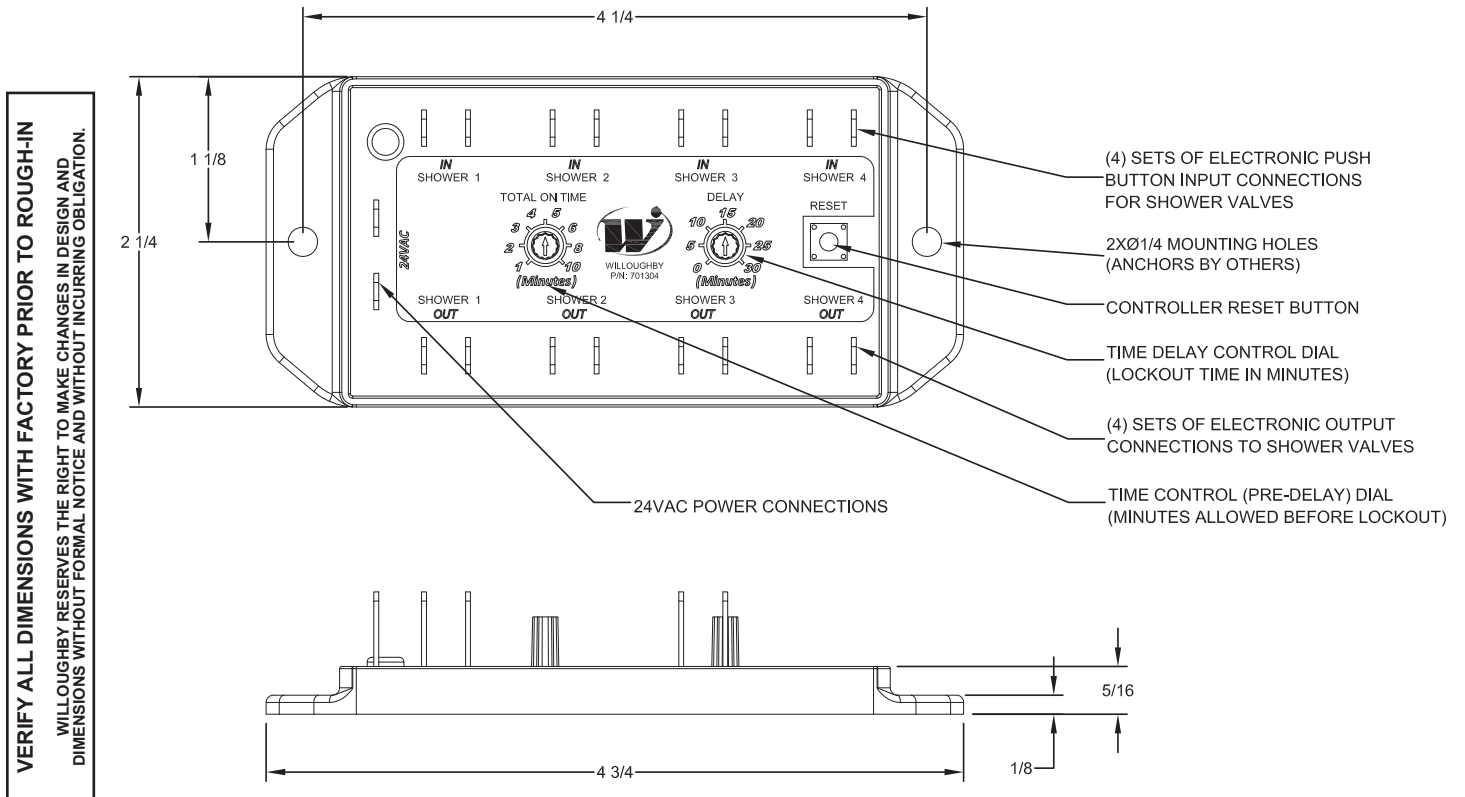
- WUSC-2400 Electronic Water Usage 4-Shower Controller
(Contains Controller and all necessary cabling for installation, P/N: WUSC-KIT)

2.) Other Options:

- TF24H Hard-wired Transformer, 110VAC to 24VAC* (Standard)
- TF24P Plug-in Transformer, 110VAC to 24VAC*
- Other _____
- Other _____

*(Req 110V power through ground fault interrupter (GFCI) receptacle)

Approved For Manufacturing By: _____ Date: _____ Company: _____
 Wall Thickness: _____ Wall Type: _____



visit our website at www.willoughby-ind.com
 5105 West 78th Street • Indianapolis, IN. 46268
 (317) 875-0830 • Fax: (317) 875-0837 • (800) 428-4065



MADE IN THE U.S.A.



(Page Intentionally Left Blank)

visit our website at www.willoughby-ind.com

5105 West 78th Street • Indianapolis, IN. 46268

(317) 875-0830 • Fax: (317) 875-0837 • (800) 428-4065



MADE IN THE U.S.A.

RTH1 Rear Mounted Tissue Holder

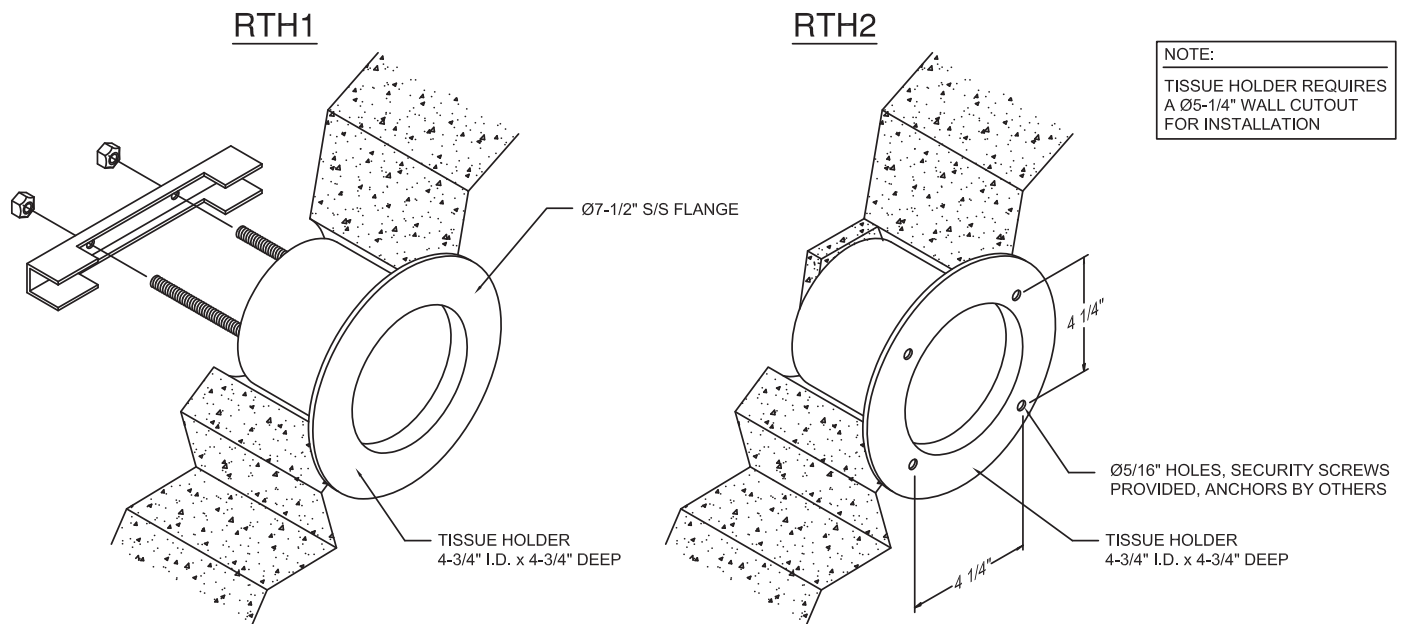
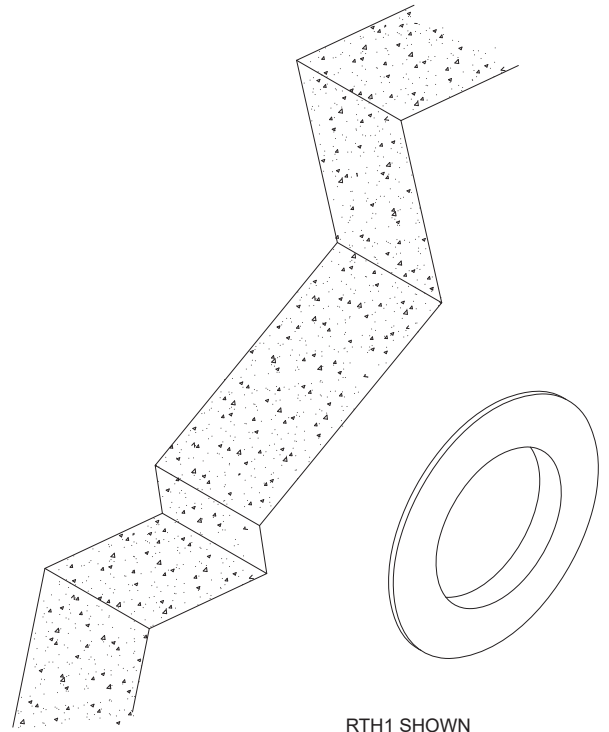
RTH1 recessed toilet tissue holder shall be die-formed of 14 GA, Type 304 stainless steel with an 18 GA, Type 304 #3 satin finish exposed flange. Flange edge to be turned back providing a tight fit to wall. Holder shall accommodate a standard roll of tissue, measuring 4-3/4" in diameter and 4-3/4" deep, providing no free area for the concealment of contraband.

Mounting hardware supplied with the tissue holder.

RTH2 Front Mounted Tissue Holder

RTH2 recessed toilet tissue holder shall be die-formed of 14 GA, Type 304 stainless steel with an 18 GA, Type 304 #3 satin finish exposed flange. Flange edge to be turned back providing a tight fit to wall. Holder shall accommodate a standard roll of tissue, measuring 4-3/4" in diameter and 4-3/4" deep, providing no free area for the concealment of contraband. Mounting shall be from the front.

Stainless steel security screws provided, wall anchors by others.



visit our website at www.willoughby-ind.com
5105 West 78th Street • Indianapolis, IN. 46268
(317) 875-0830 • Fax: (317) 875-0837 • (800) 428-4065



MADE IN THE U.S.A.

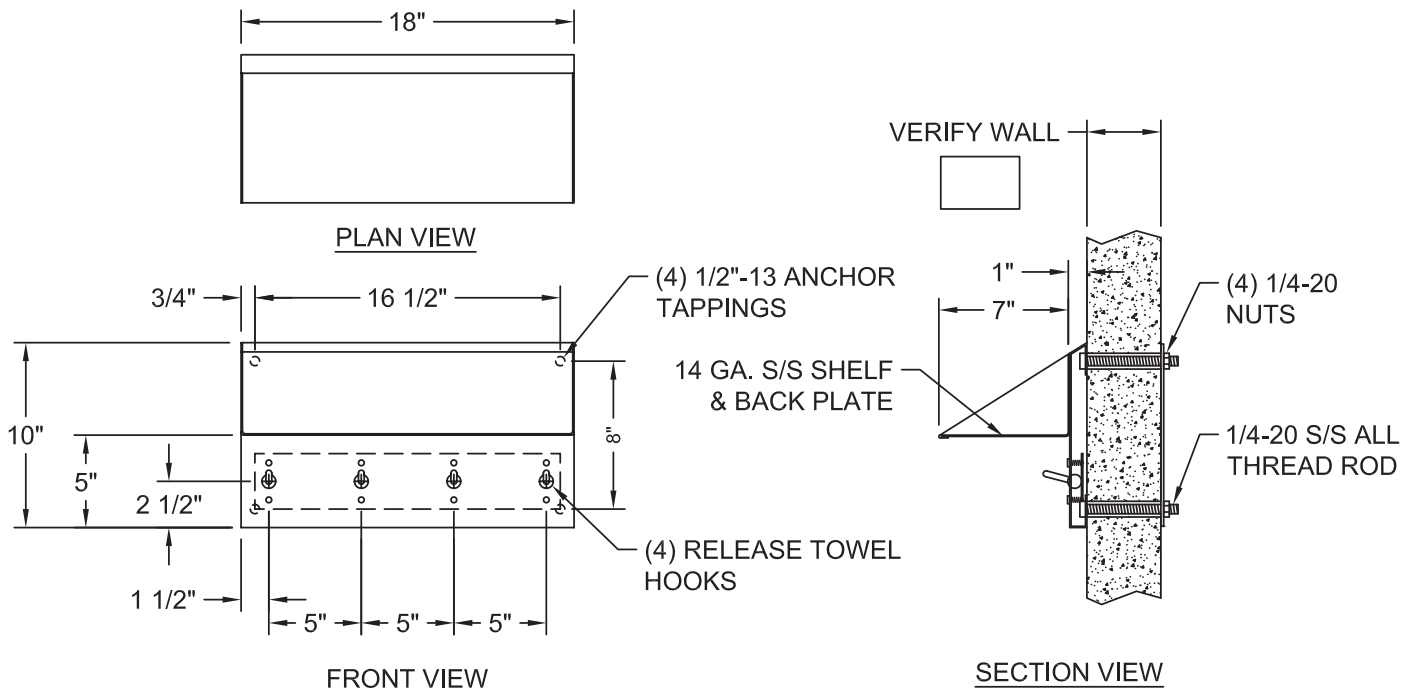
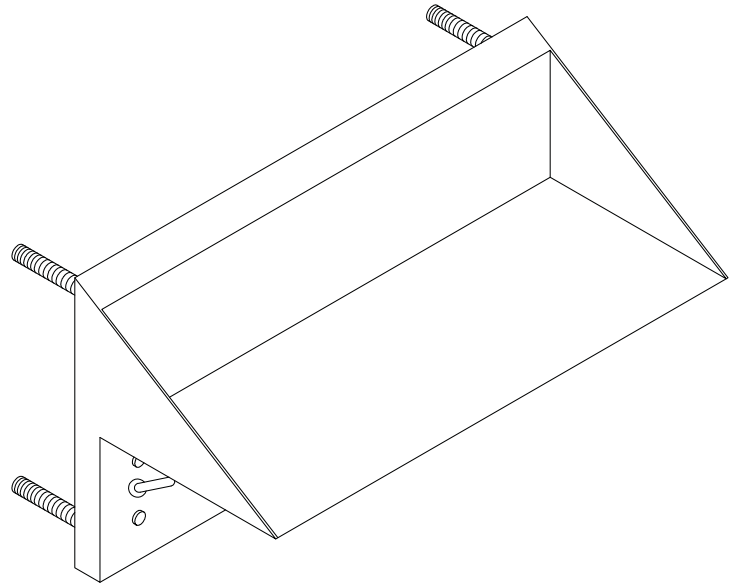
WA-1824 Release Towel Hook w/ Integral Shelf Rear Mounted

✓	MODEL NUMBER	NUMBER OF HOOKS
	WA-1824	4

WA-1824 release towel hook assembly with integral shelf shall be fabricated from Type 304 stainless steel. Exposed stainless steel surfaces shall be polished to a #3 satin finish.

Pressure activated release towel hook(s) will support light clothing and towel loads, however, excessive hook loads will cause downward hook release.

WA-1824 hook assembly supplied with all thread rod, nuts and washers.



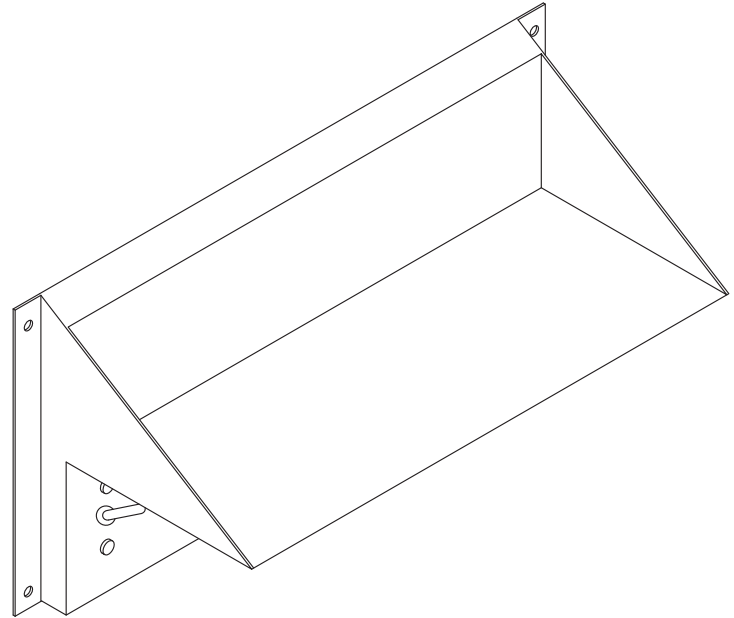
visit our website at www.willoughby-ind.com
5105 West 78th Street • Indianapolis, IN. 46268
(317) 875-0830 • Fax: (317) 875-0837 • (800) 428-4065



MADE IN THE U.S.A.

WA-1824-FA Release Towel Hook w/ Integral Shelf Front Mounted

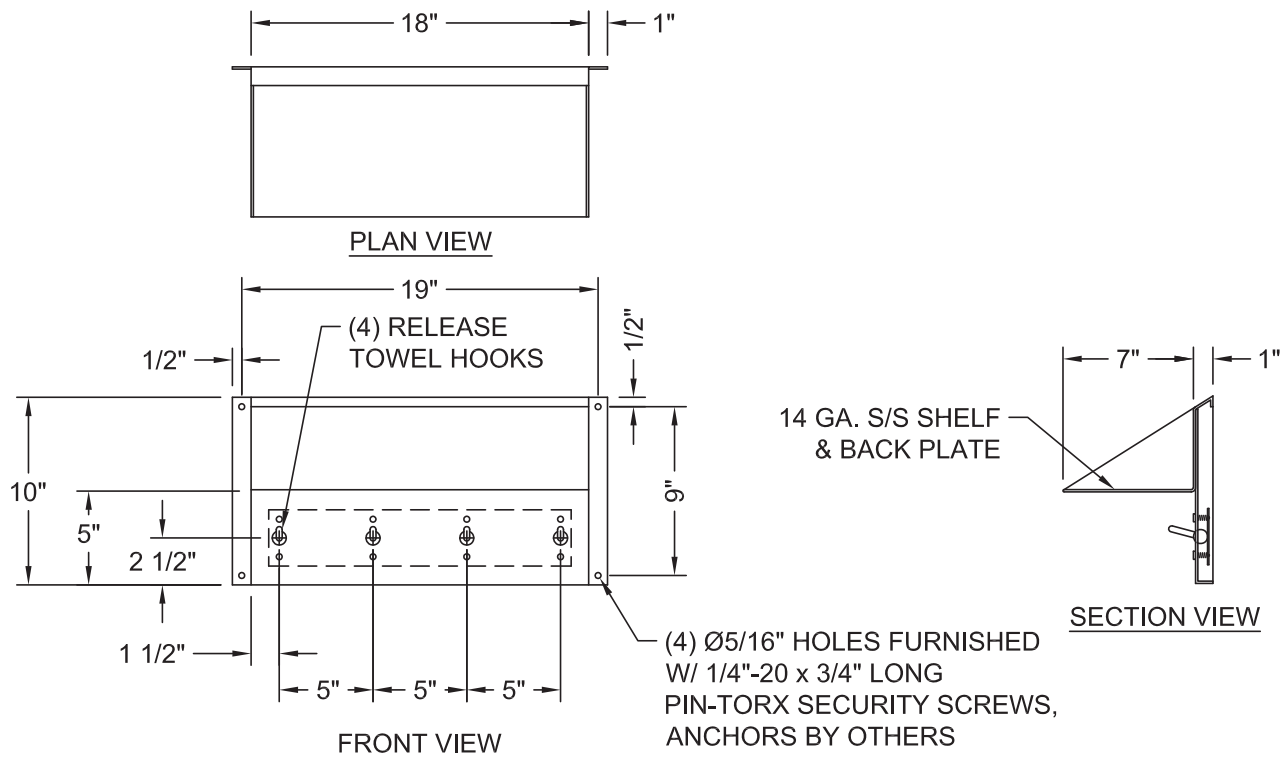
✓	MODEL NUMBER	NUMBER OF HOOKS
	WA-1824-FA	4



WA-1824-FA release towel hook assembly with integral shelf shall be fabricated from Type 304 stainless steel. Exposed stainless steel surfaces shall be polished to a #3 satin finish.

Pressure activated release towel hook(s) will support light clothing and towel loads, however, excessive hook loads will cause downward hook release.

WA-1824-FA hook assembly supplied with vandal-resistant stainless steel security screws. Wall anchors by others.



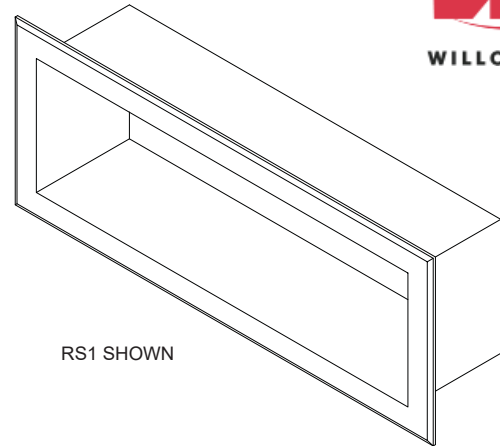
visit our website at www.willoughby-ind.com
 5105 West 78th Street • Indianapolis, IN. 46268
 (317) 875-0830 • Fax: (317) 875-0837 • (800) 428-4065



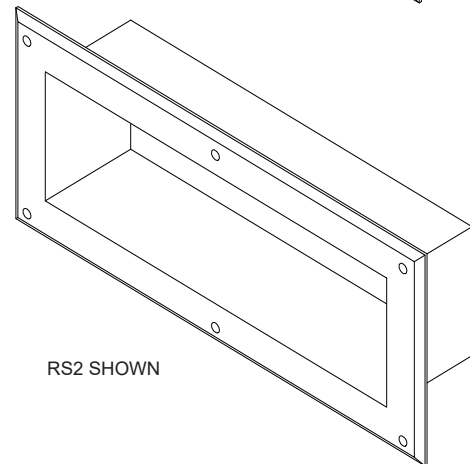
MADE IN THE U.S.A.

RS Series Recessed Shelf

✓	MODEL NUMBER	MOUNTING CONFIGURATION
	RS1	REAR MOUNTED
	RS2	FRONT MOUNTED



RS1 SHOWN

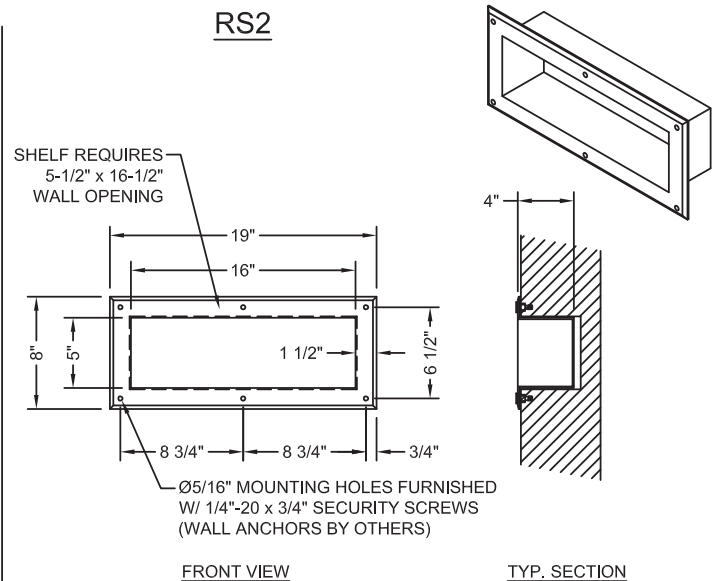
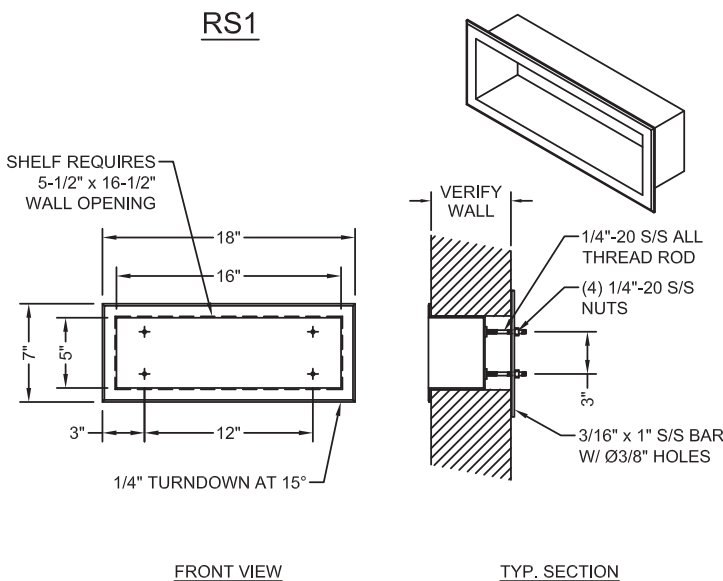


RS2 SHOWN

RS ___ recessed shelf shall be fabricated entirely of 16 GA, Type 304 stainless steel. Exposed flange surfaces are polished to a #3 satin finish. Shelf is available in both rear mounting (RM) or flange mounting (FM) configuration.

Shelf assembly (RS1) supplied with anchoring hardware.

Shelf assembly (RS2) supplied with vandal-resistant security screws, wall anchors by others.



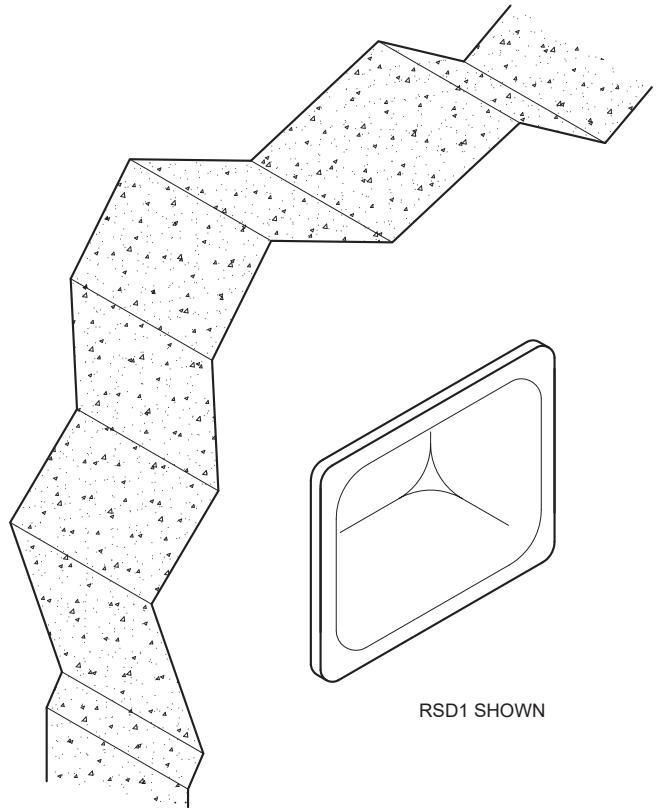
RSD1 Rear Mounted Recessed Soap Dish

RSD1 recessed soap dish shall be 16 GA, Type 304 stainless steel. Unit is one piece construction, tamper-resistant with all exposed surfaces polished to a #3 satin finish. Wide radius corners assure cleanliness.

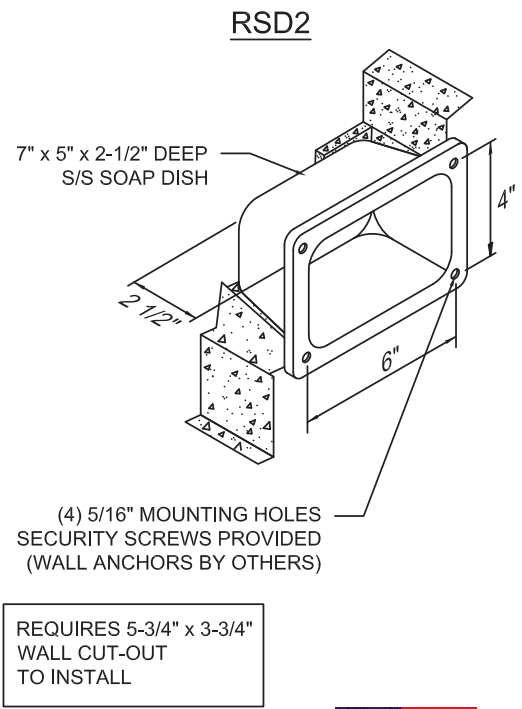
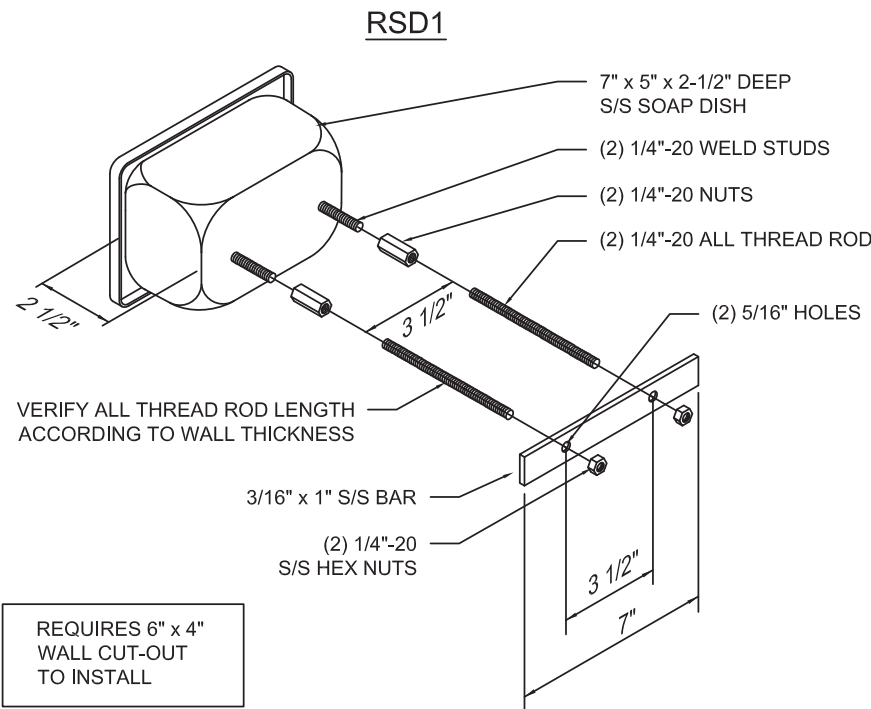
RSD2 Front Mounted Recessed Soap Dish

RSD2 recessed soap dish shall be 16 GA, Type 304 stainless steel. Unit is one piece construction, tamper-resistant with all exposed surfaces polished to a #3 satin finish. Wide radius corners assure cleanliness. Mounting shall be from the front.

Stainless steel security screws provided, wall anchors by others.



RSD1 SHOWN



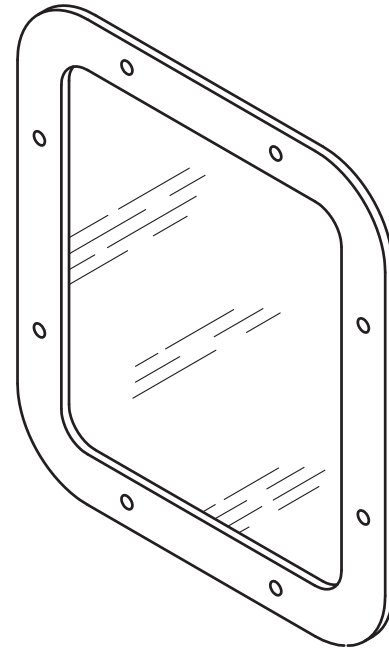
visit our website at www.willoughby-ind.com
 5105 West 78th Street • Indianapolis, IN. 46268
 (317) 875-0830 • Fax: (317) 875-0837 • (800) 428-4065



MADE IN THE U.S.A.

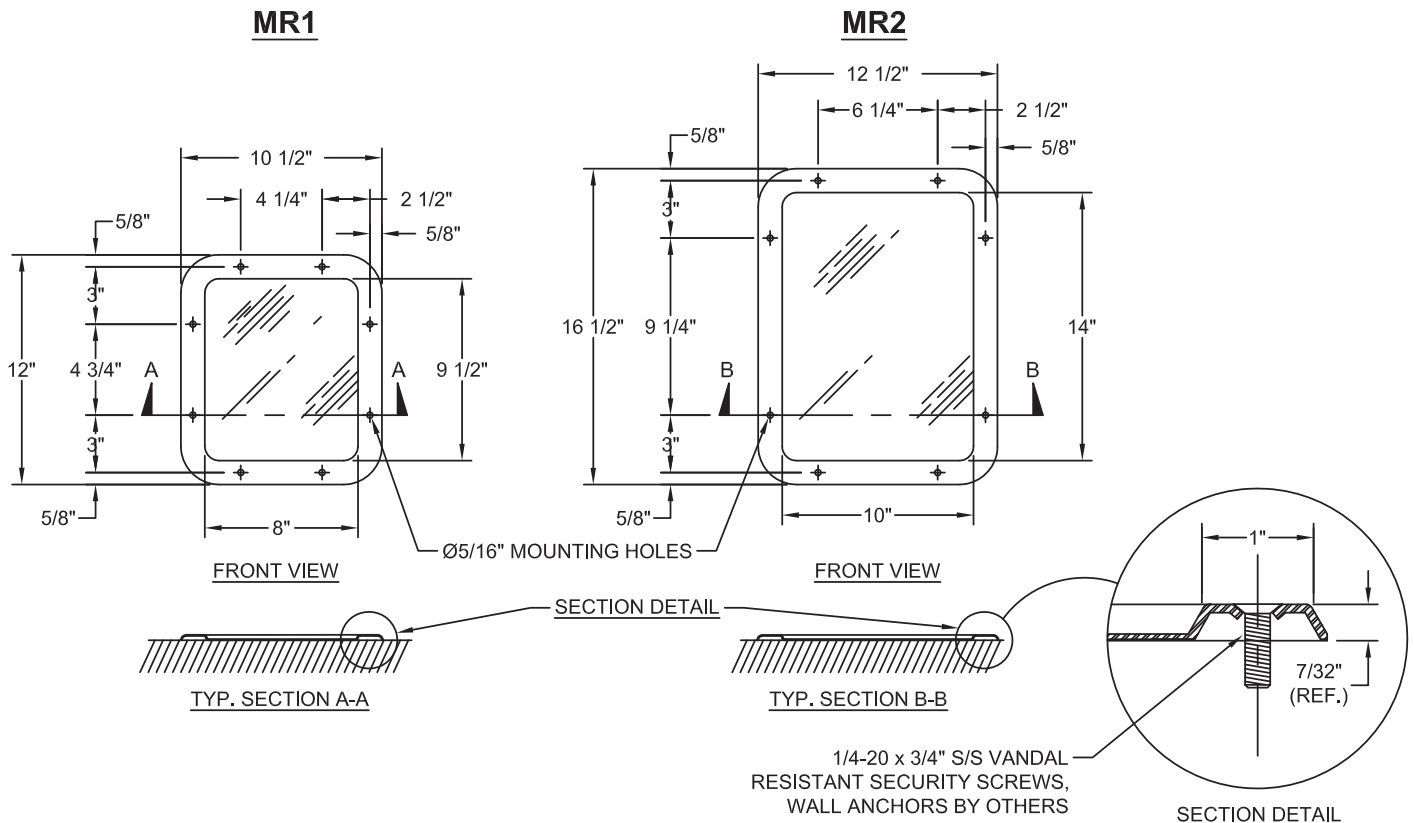
MR Series Front Access Security Mirror

✓	MODEL NUMBER	HEIGHT	WIDTH
	MR1	12"	10 1/2"
	MR2	16 1/2"	12 1/2"
	EM1 (OPTIONAL)	MOUNTING FRAME FOR MR1	
	EM2 (OPTIONAL)	MOUNTING FRAME FOR MR2	



MR ___ mirror with integral frame shall be die formed 16 GA, Type 304 series stainless steel, polished to a #8 non-directional mirror finish. Anchoring shall be by standard 8-point mounting. Vandal-resistant security screws provided with the mirror. Wall anchors provided by others.

Optional in-wall embedded mounting plate is available. For optional embedded mounting plate, specify EM1 or EM2 to correspond with above mirror size.

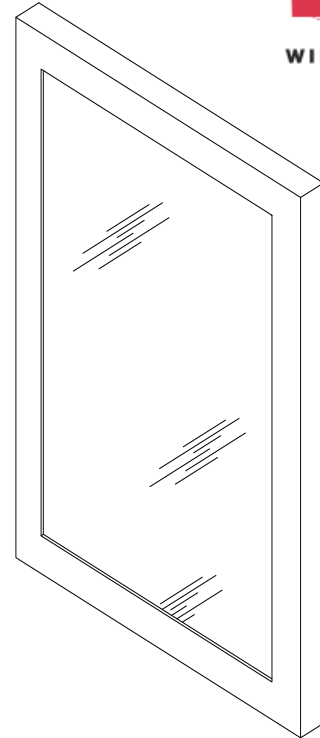


visit our website at www.willoughby-ind.com
 5105 West 78th Street • Indianapolis, IN. 46268
 (317) 875-0830 • Fax: (317) 875-0837 • (800) 428-4065



MADE IN THE U.S.A.

FMR1 Framed Security Mirror Rear Mounted

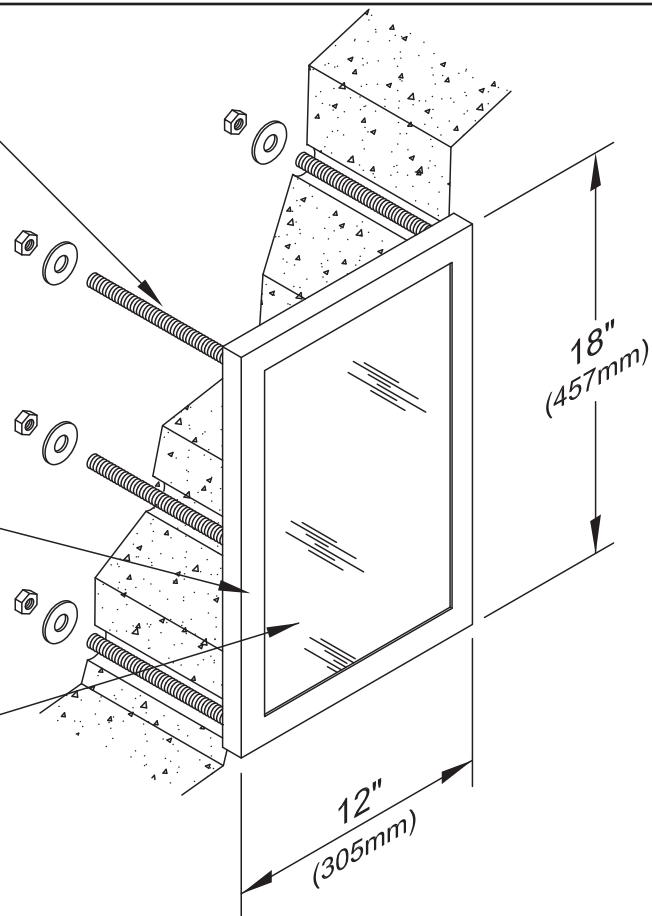


FMR1 framed security mirror to be 16 GA, Type 304 stainless steel, polished to a #8 non-directional mirror finish. Mirror shall be reinforced with 1/2" fiberboard backing. Anchoring shall be by a 6-point system: threaded rods, nuts and washers furnished for walls up to 8" thick. Unit requires chase for installation.

1/2-13 ALL-THREAD W/
NUTS & WASHERS,
6-POINT Ø5/8" DRILLED
HOLES REQUIRED

14 GA. STAINLESS
STEEL MIRROR
FRAME

20 GA. STAINLESS
STEEL, TYPE 304,
MIRROR FINISH



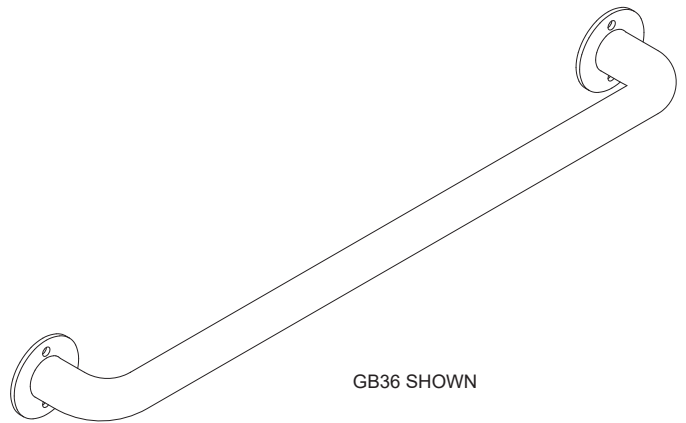
visit our website at www.willoughby-ind.com
5105 West 78th Street • Indianapolis, IN. 46268
(317) 875-0830 • Fax: (317) 875-0837 • (800) 428-4065



MADE IN THE U.S.A.

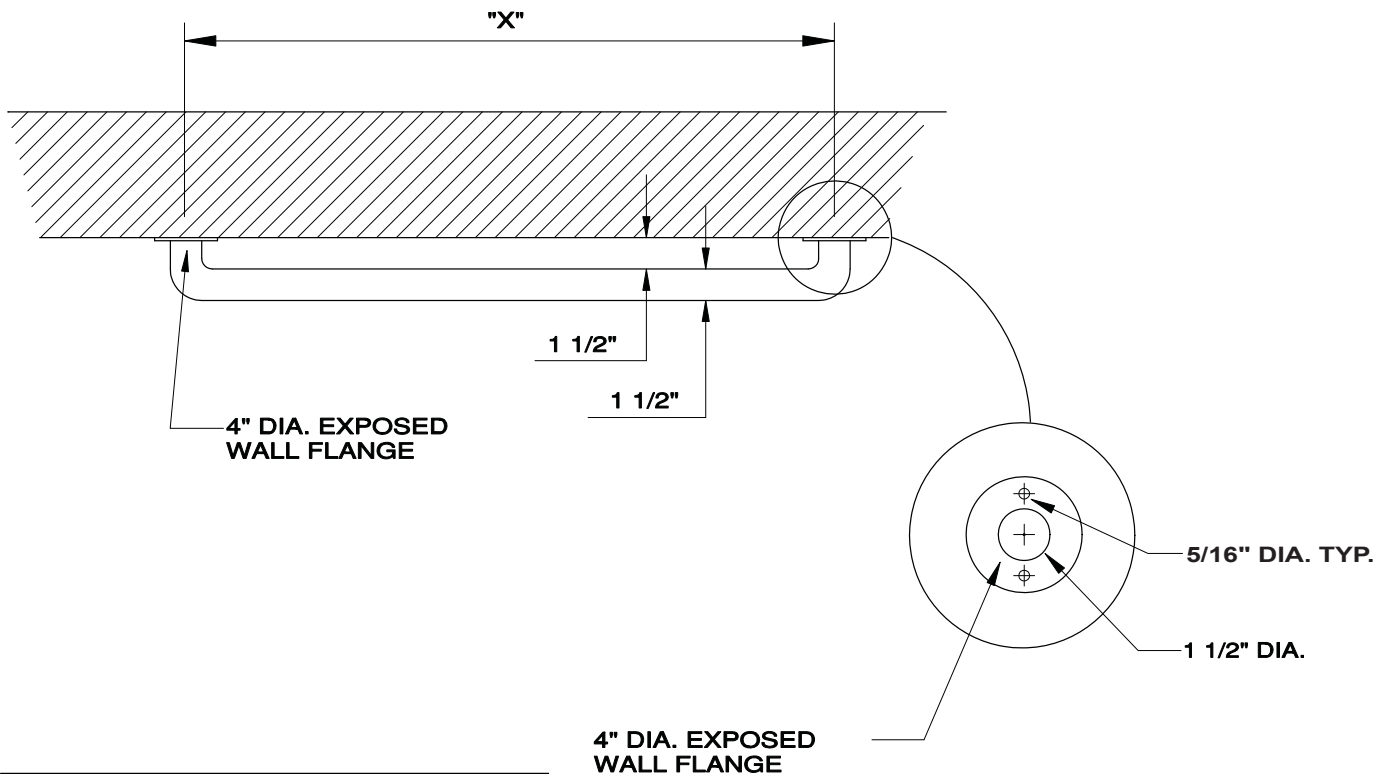
GB Series Grab Bars

✓	MODEL NUMBER	GRAB BAR LENGTH ("X")
	GB18	18"
	GB24	24"
	GB30	30"
	GB36	36"
	GB42	42"
	GB48	48"
	GB3318	33" X 18"



GB _____ grab bars shall be fabricated from Type 304 stainless steel. Exposed stainless steel surfaces shall be polished to a #3 satin finish. Standard flange configuration is exposed. Grab bar fasteners and wall anchors by others.

Various configurations are available.



ANCHORING MATERIAL BY OTHERS

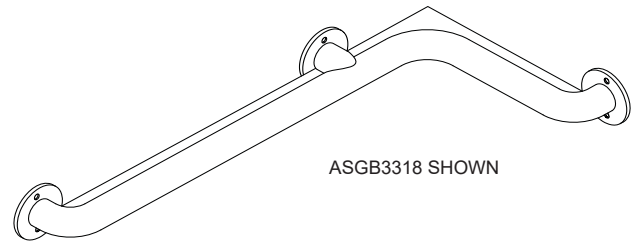
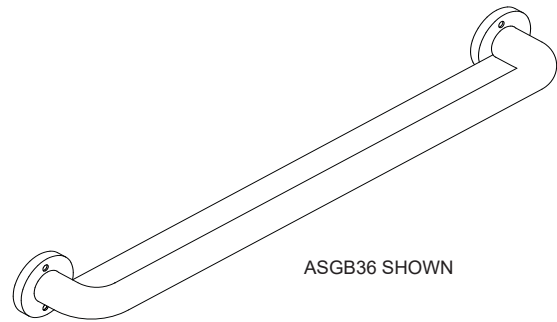
visit our website at www.willoughby-ind.com
 5105 West 78th Street • Indianapolis, IN. 46268
 (317) 875-0830 • Fax: (317) 875-0837 • (800) 428-4065



MADE IN THE U.S.A.

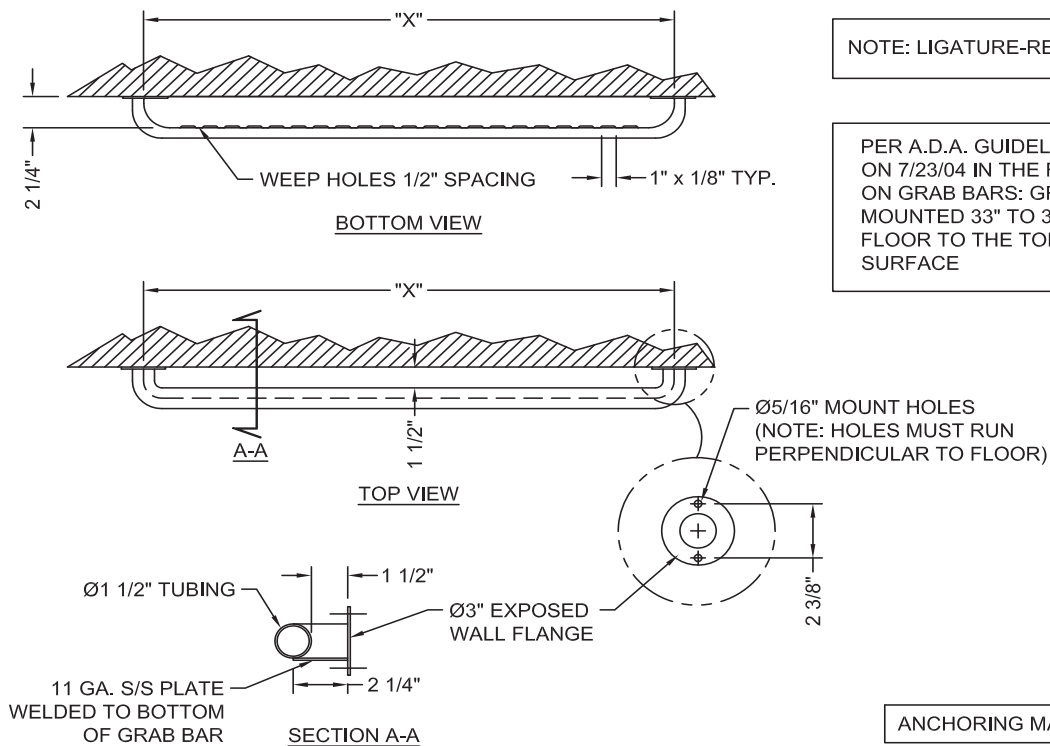
ASGB Series Ligature-resistant Grab Bars

✓	MODEL NUMBER	GRAB BAR LENGTH ("X")
	ASGB18	18"
	ASGB24	24"
	ASGB30	30"
	ASGB36	36"
	ASGB42	42"
	ASGB48	48"
	ASGB3318	33" X 18"



ASGB _____ Ligature-resistant grab bars shall be fabricated from Type 304 stainless steel. Exposed stainless steel surfaces shall be polished to a #3 satin finish. Grab bar shall have 11 gauge stainless steel plate welded to bottom to give fixture a ligature-resistant design. Standard flange configuration is exposed. Grab bar fasteners and wall anchors by others.

Various configurations are available.



visit our website at www.willoughby-ind.com
 5105 West 78th Street • Indianapolis, IN. 46268
 (317) 875-0830 • Fax: (317) 875-0837 • (800) 428-4065



MADE IN THE U.S.A.

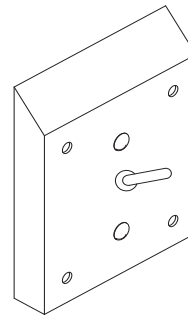


(Page Intentionally Left Blank)

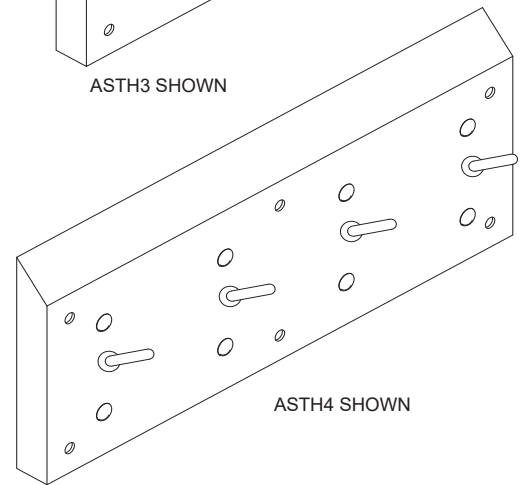


ASTH Series Ligature-resistant Release Towel Hook

✓	MODEL NUMBER	NUMBER OF HOOKS
	ASTH3	1
	ASTH4	4



ASTH3 SHOWN

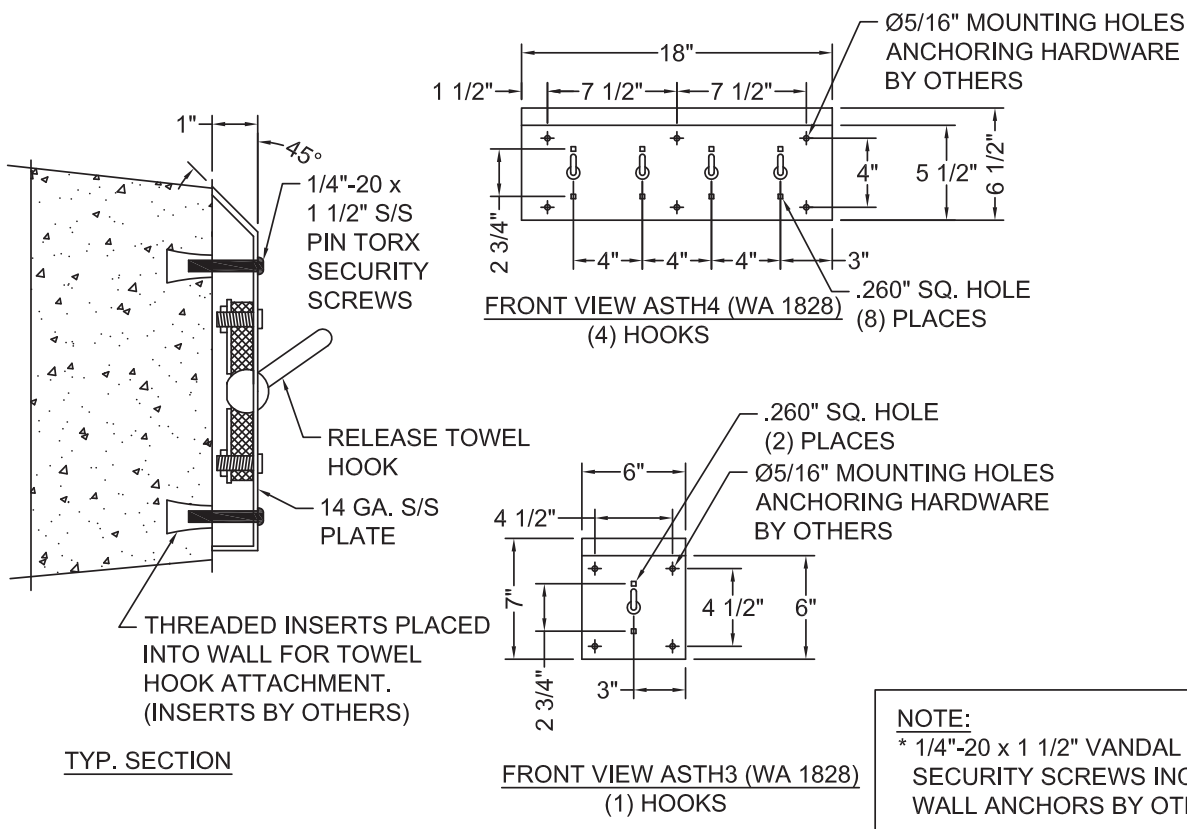


ASTH4 SHOWN

ASTH _____ ligature-resistant release towel hook assembly shall be fabricated from Type 304 stainless steel. Exposed stainless steel surfaces shall be polished to a #3 satin finish. Pressure activated release towel hook(s) will support light clothing and towel loads, however, excessive hook loads will cause downward hook release.

Towel hook assembly shall have a ligature-resistant sloped top in addition to the pressure activated release towel hooks.

Hook assemblies supplied with vandal-resistant stainless steel security screws. Wall anchors by others.



visit our website at www.willoughby-ind.com
5105 West 78th Street • Indianapolis, IN. 46268
(317) 875-0830 • Fax: (317) 875-0837 • (800) 428-4065

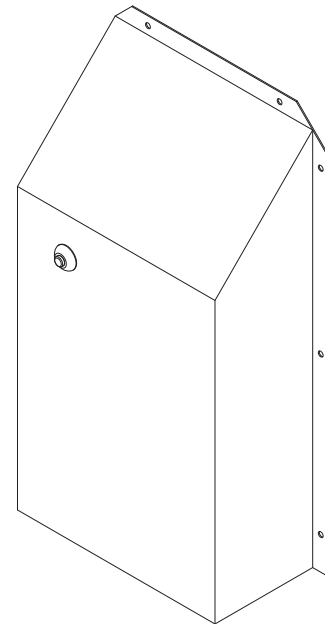


MADE IN THE U.S.A.

ASFVC Ligature-resistant Flush Valve Cover

Stainless steel ligature-resistant flush valve cover shall be:
Willoughby Option No. **ASFVC**

Flush valve cover shall be fabricated from 14 GA, Type 304 stainless steel with exposed stainless steel surfaces polished to a #3 satin finish. Flush valve cover is supplied with $\varnothing 5/16$ " mounting holes, anchoring hardware is provided by others. Flush valve cover shall have a ligature-resistant sloped top.

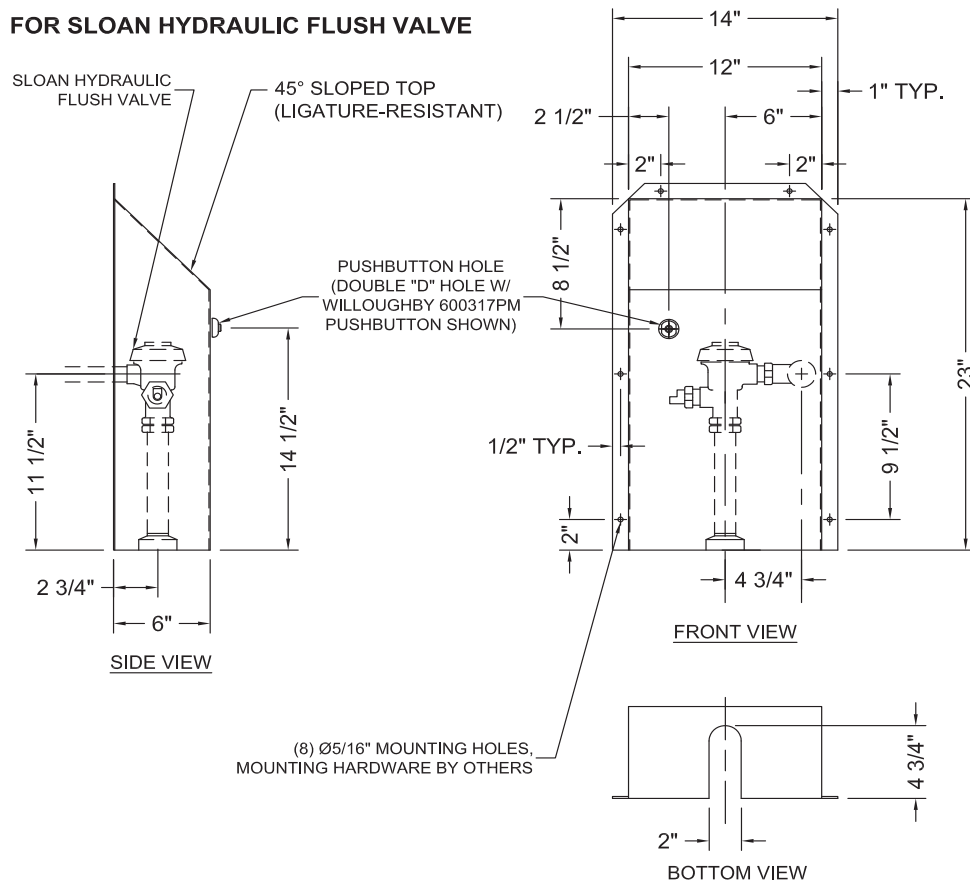


SHOWN WITH WILLOUGHBY 600317PM PUSHBUTTON

Options:

- DC Decorator Color (Fixture exterior only- White)
- For use with Willoughby push button actuator (double 'D' hole required)
- For use with Sloan push button actuator ($\varnothing 1-1/2$ " hole required)
- For use with another push button actuator (specify hole size: _____)

FOR SLOAN HYDRAULIC FLUSH VALVE



visit our website at www.willoughby-ind.com
5105 West 78th Street • Indianapolis, IN. 46268
(317) 875-0830 • Fax: (317) 875-0837 • (800) 428-4065



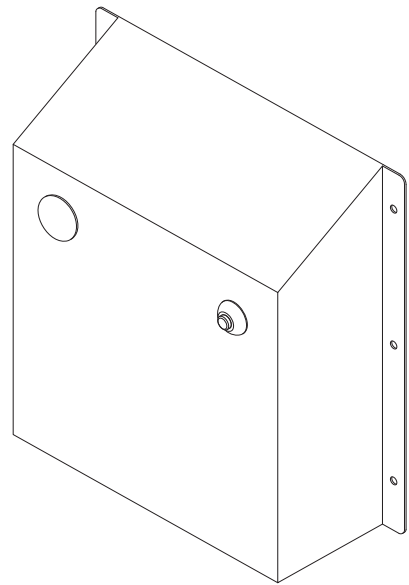
MADE IN THE U.S.A.

ASFVCADA

Ligature-resistant ADA Compliant Flush Valve Cover

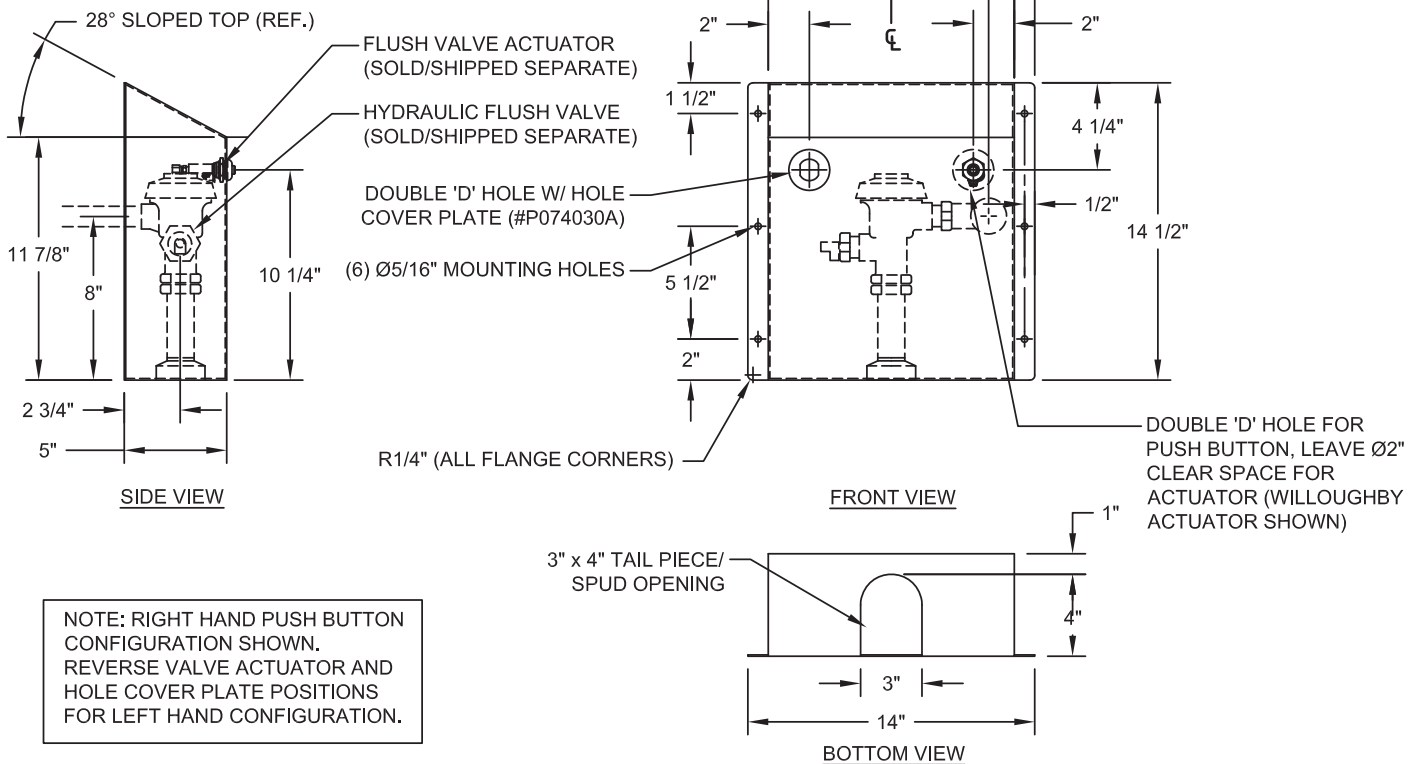
Stainless steel ligature-resistant ADA compliant flush valve cover shall be:
Willoughby Option No. **ASFVCADA**

Flush valve cover shall be fabricated from 14 GA, Type 304 stainless steel with exposed stainless steel surfaces polished to a #3 satin finish. Flush valve cover is supplied with Ø5/16" mounting holes, anchoring hardware is provided by others. Flush valve cover shall have a ligature-resistant sloped top, (2) flush valve push button holes for right or left hand toilet, and (1) stainless steel hole cover plate to cover the unused push button hole.



Options:

- DC Decorator Color (Fixture exterior only- White)
- For use with Willoughby push button actuator (double 'D' hole required)
- For use with Sloan push button actuator (Ø1-1/2" hole required)
- For use with another push button actuator (specify hole size: _____)



NOTE: RIGHT HAND PUSH BUTTON CONFIGURATION SHOWN. REVERSE VALVE ACTUATOR AND HOLE COVER PLATE POSITIONS FOR LEFT HAND CONFIGURATION.

visit our website at www.willoughby-ind.com
5105 West 78th Street • Indianapolis, IN. 46268
(317) 875-0830 • Fax: (317) 875-0837 • (800) 428-4065



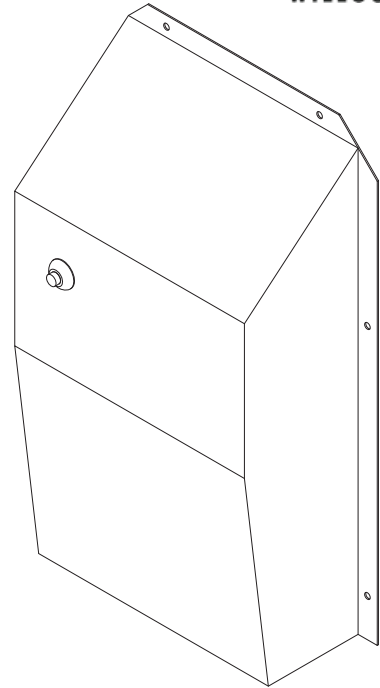
MADE IN THE U.S.A.

ASUFVC

Ligature-resistant Urinal Flush Valve Cover

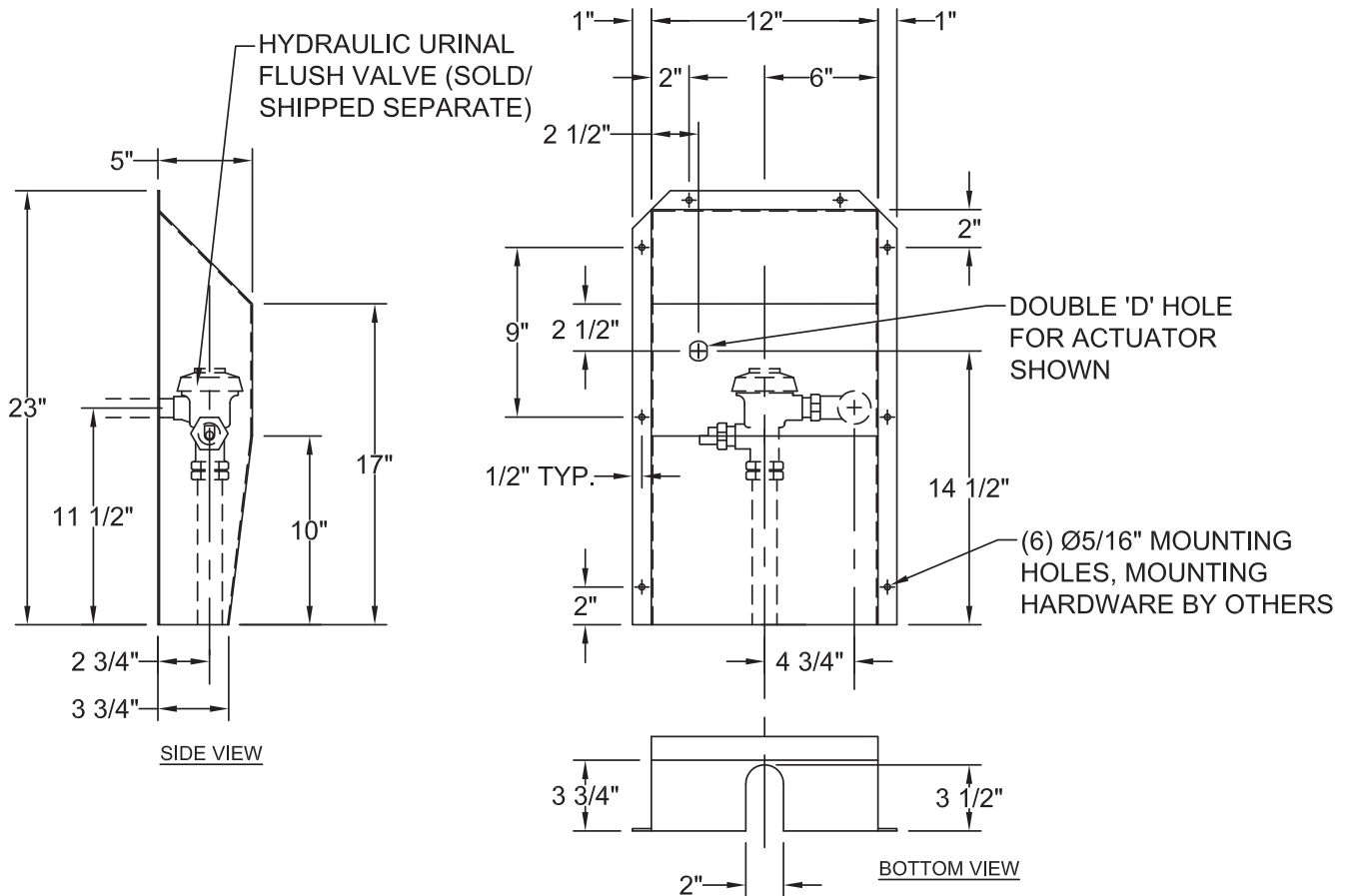
Stainless steel ligature-resistant urinal flush valve cover shall be:
Willoughby Option No. **ASUFVC**

Urinal flush valve cover shall be fabricated from 14 GA, Type 304 stainless steel with exposed stainless steel surfaces polished to a #3 satin finish. Flush valve cover is supplied with $\varnothing 5/16"$ mounting holes, anchoring hardware is provided by others. Flush valve cover shall have ligature-resistant sloped top and bottom.



Options:

- DC Decorator Color (Fixture exterior only- White)
- For use with Willoughby push button actuator (double 'D' hole required)
- For use with Sloan push button actuator ($\varnothing 1-1/2"$ hole required)
- For use with another push button actuator (specify hole size: _____)



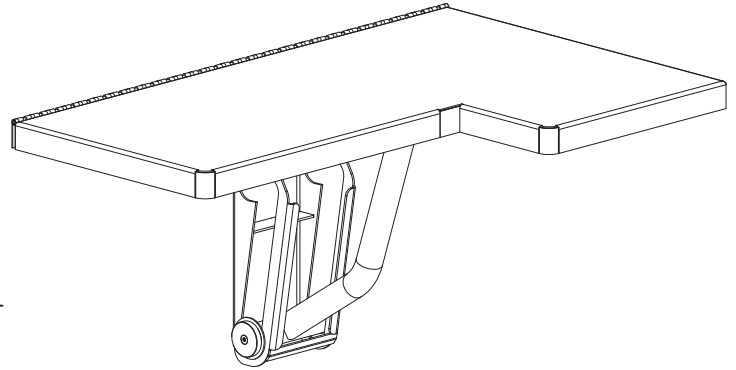
visit our website at www.willoughby-ind.com
5105 West 78th Street • Indianapolis, IN. 46268
(317) 875-0830 • Fax: (317) 875-0837 • (800) 428-4065



MADE IN THE U.S.A.

FSS Series Folding Shower Seat

✓	MODEL NUMBER	SEAT CONFIGURATION
	FSSR	RIGHT HAND
	FSSL	LEFT HAND



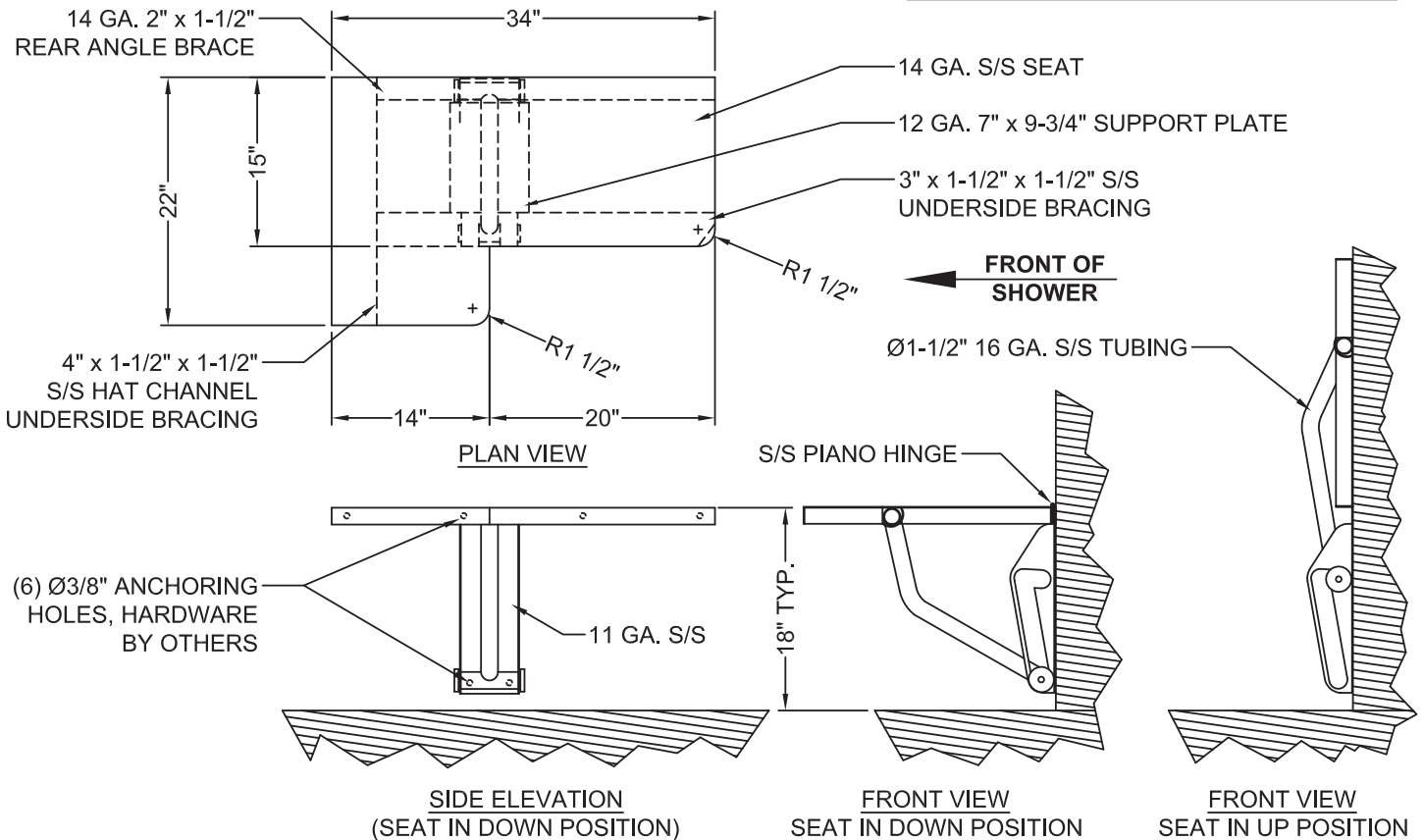
FSS _____ folding shower seat shall be fabricated from Type 304 stainless steel. Seating surface and flanges polished to a #3 satin finish. Folding shower seat provides sturdy seating for users of handicapped shower facilities and can be easily folded up when not in use.

Wall anchors and fasteners by others.



RIGHT HAND SHOWN; LEFT HAND IS SYMMETRICALLY OPPOSITE

NOTE: FOLDING SEAT MUST MOUNT 1" OUT FROM BACK WALL TO AVOID GRAB BAR INTERFERENCE



visit our website at www.willoughby-ind.com
 5105 West 78th Street • Indianapolis, IN. 46268
 (317) 875-0830 • Fax: (317) 875-0837 • (800) 428-4065

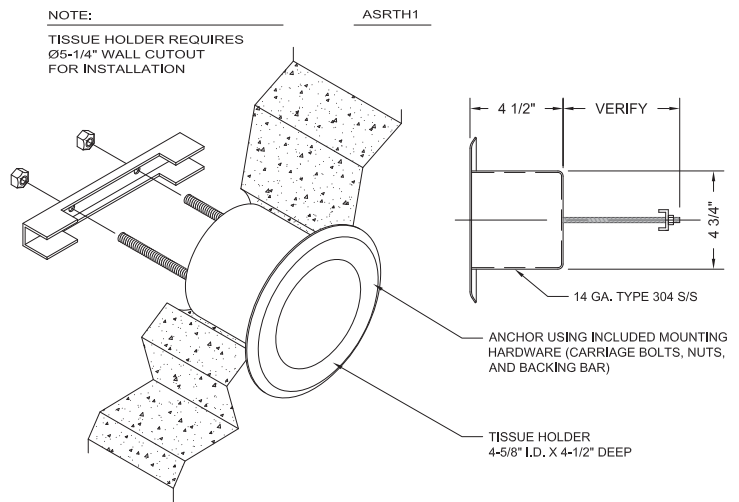


MADE IN THE U.S.A.

ASRTH Series Ligature-Resistant Tissue Holder

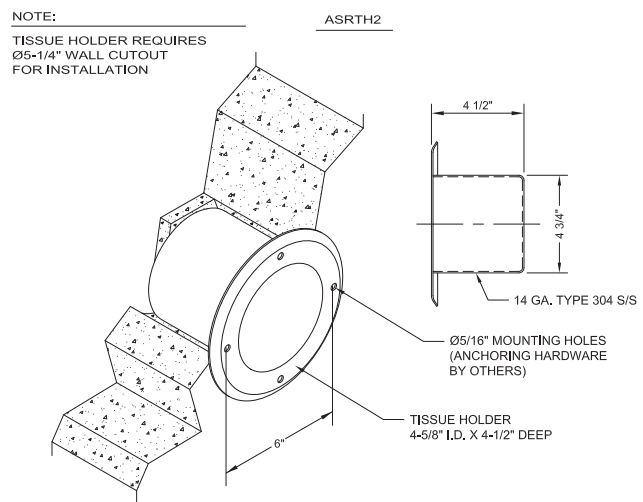
ASRTH1 Rear Mounted Ligature-Resistant Tissue Holder

ASRTH1 recessed toilet tissue holder shall be die-formed of 14 GA, Type 304 stainless steel with an 16 GA, Type 304 #3 satin finish exposed flange. Flange edge to be turned back providing a tight fit to wall. Holder shall accommodate a standard roll of tissue, measuring 4-5/8" in diameter and 4-1/2" deep. Interior shall be seamless and ligature-resistant, providing no free area for the concealment of contraband and no interior exposed flange edge. Mounting shall be from the rear using S/S mounting hardware provided (verify wall thickness).



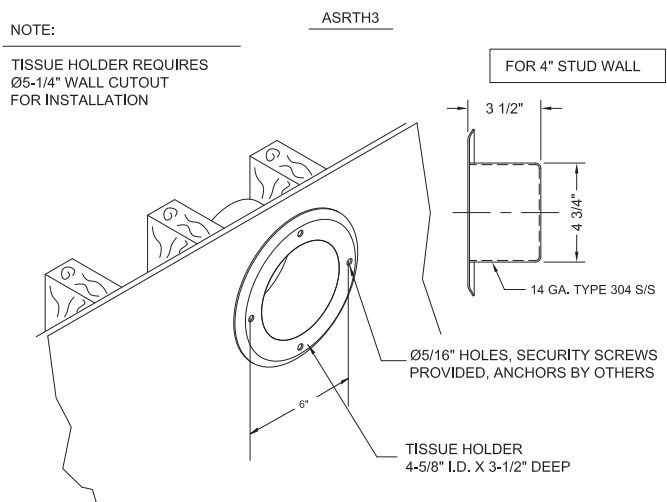
ASRTH2 Front Mounted Ligature-Resistant Tissue Holder

ASRTH2 recessed toilet tissue holder shall be die-formed of 14 GA, Type 304 stainless steel with an 16 GA, Type 304 #3 satin finish exposed flange. Flange edge to be turned back providing a tight fit to wall. Holder shall accommodate a standard roll of tissue, measuring 4-5/8" in diameter and 4-1/2" deep. Interior shall be seamless and ligature-resistant, providing no free area for the concealment of contraband and no interior exposed flange edge. Mounting shall be from the front. Stainless steel security screws provided, wall anchors by others.

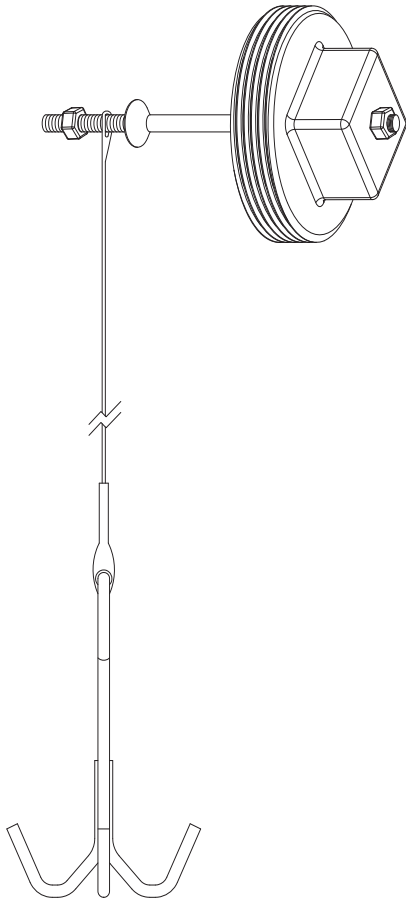


ASRTH3 Front Mounted Ligature-Resistant Tissue Holder (For 4" Stud Wall)

ASRTH3 recessed toilet tissue holder shall be die-formed of 14 GA, Type 304 stainless steel with a 16 GA, Type 304 #3 satin finish exposed flange. Flange edge to be turned back providing a tight fit to wall. Holder shall accommodate a standard roll of tissue, measuring 4-3/4" in diameter and 3-1/2" deep. Interior shall be seamless and ligature-resistant, providing no free area for the concealment of contraband and no interior exposed flange edge. Mounting shall be from the front. Stainless steel security screws provided, wall anchors by others.



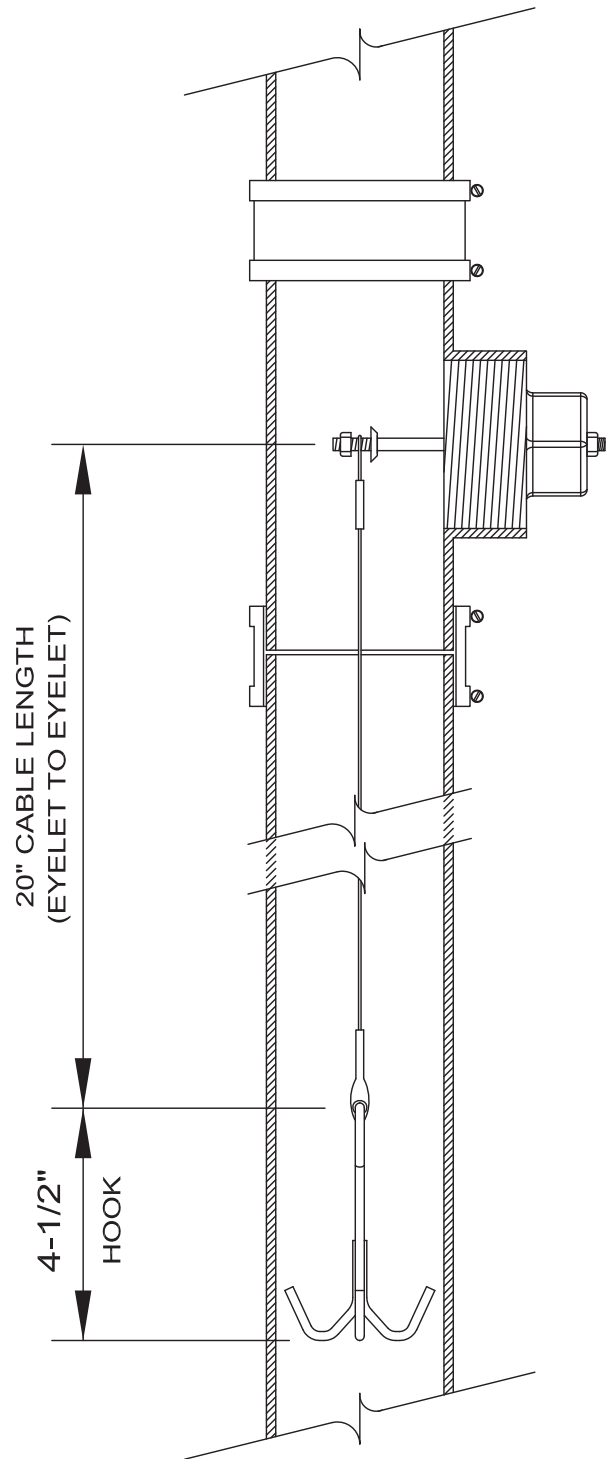
COH Series Clean-out Hook



✓	PLUG TYPE	MODEL NUMBER
	4" PVC	COH4
	4" BRASS	COHB4

Clean-out hook shall be:
Willoughby Model No. **COH** _____

This option requires the use of a vertically mounted clean-out tee (SOLD SEPARATELY). The PVC or brass plug has a permanent stainless steel pin with stainless steel cable and stainless steel 3-pronged hook which extends downward to catch large objects passing through the waste piping.



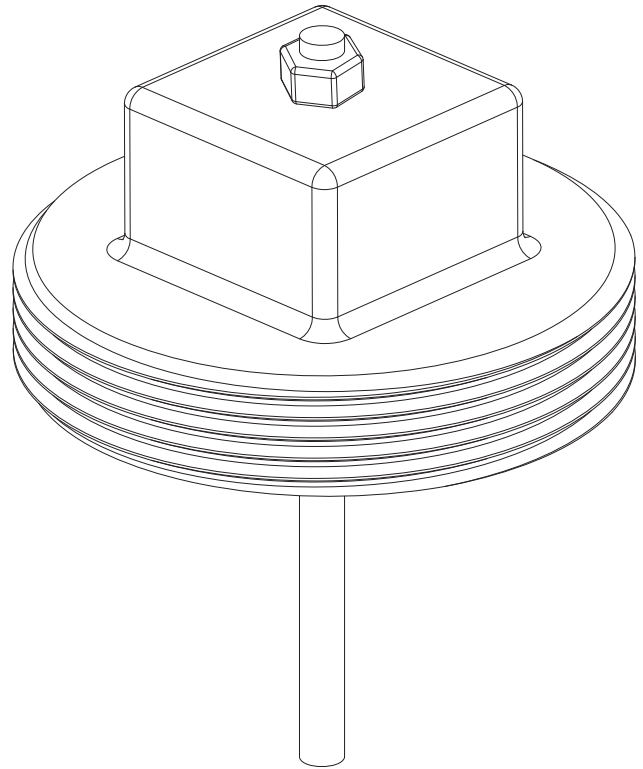
visit our website at www.willoughby-ind.com
5105 West 78th Street • Indianapolis, IN. 46268
(317) 875-0830 • Fax: (317) 875-0837 • (800) 428-4065



MADE IN THE U.S.A.

PC Series Pinned Clean-out Plug

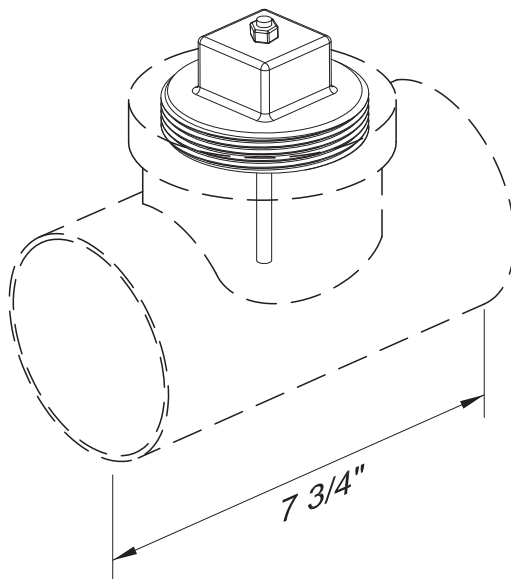
✓	PLUG TYPE	MODEL NUMBER
	3" PVC	PC3
	3" BRASS	PCB3
	4" PVC	PC4
	4" BRASS	PCB4



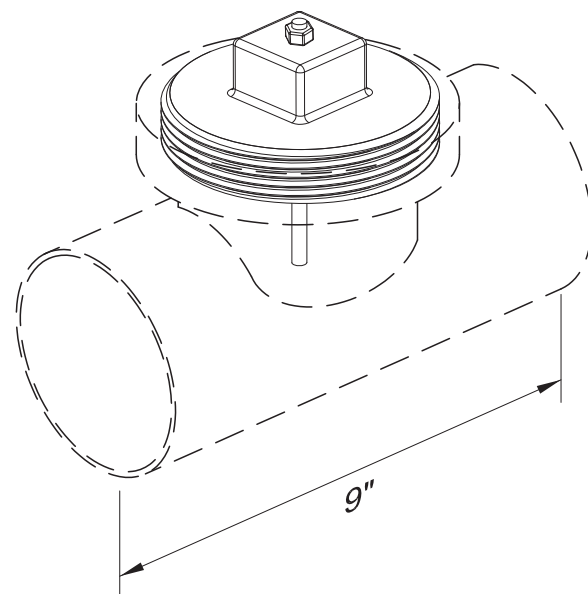
Pinned clean-out plug shall be:
Willoughby Model No. **PC** _____

This option requires the use of a clean-out tee (SOLD SEPARATELY). The PVC or brass plug has a permanent stainless steel pin which extends downward to catch large objects passing through the waste piping.

PC3



PC4

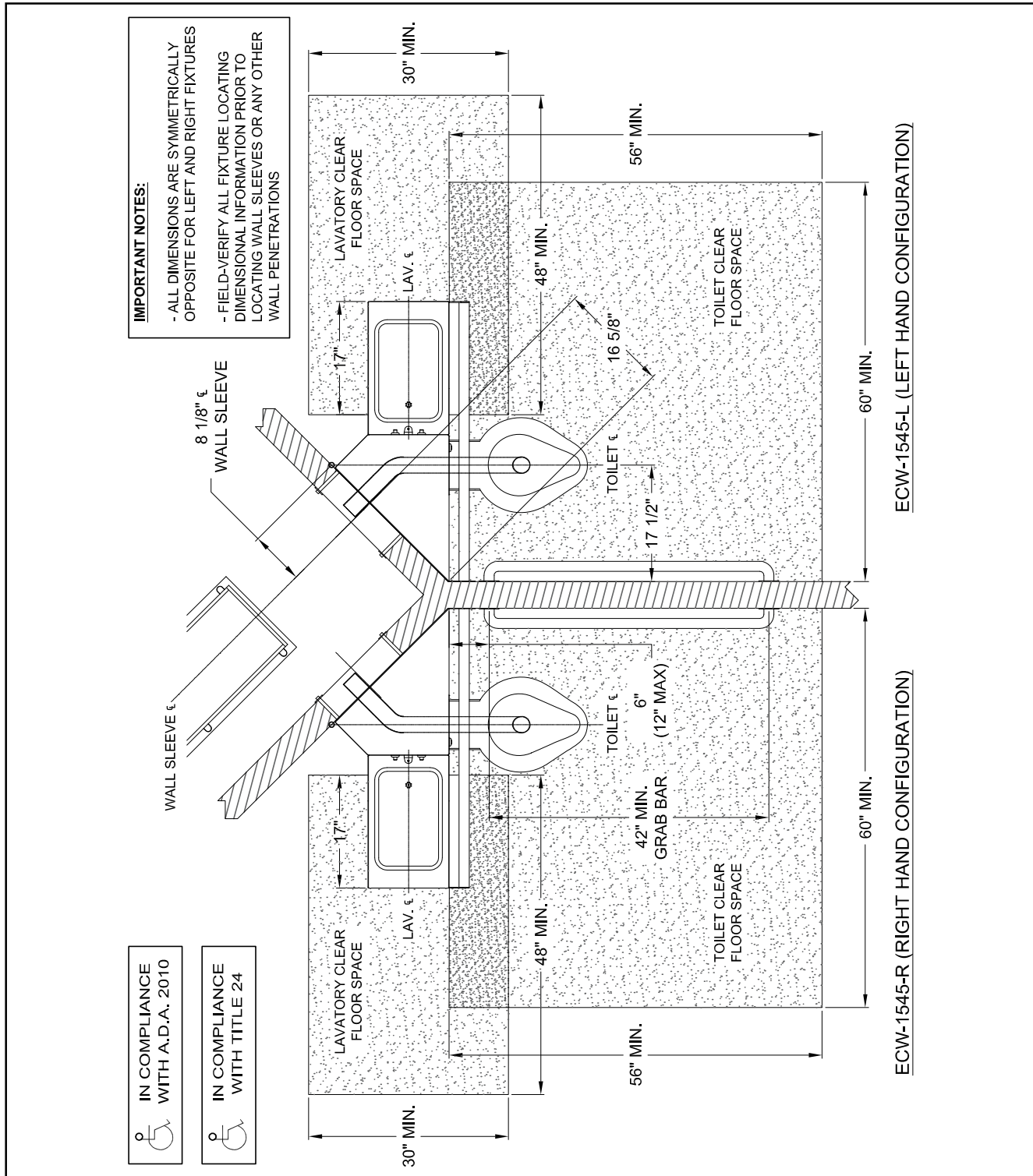


visit our website at www.willoughby-ind.com
5105 West 78th Street • Indianapolis, IN. 46268
(317) 875-0830 • Fax: (317) 875-0837 • (800) 428-4065



MADE IN THE U.S.A.

1545 Series Handicap Combination Unit Layout



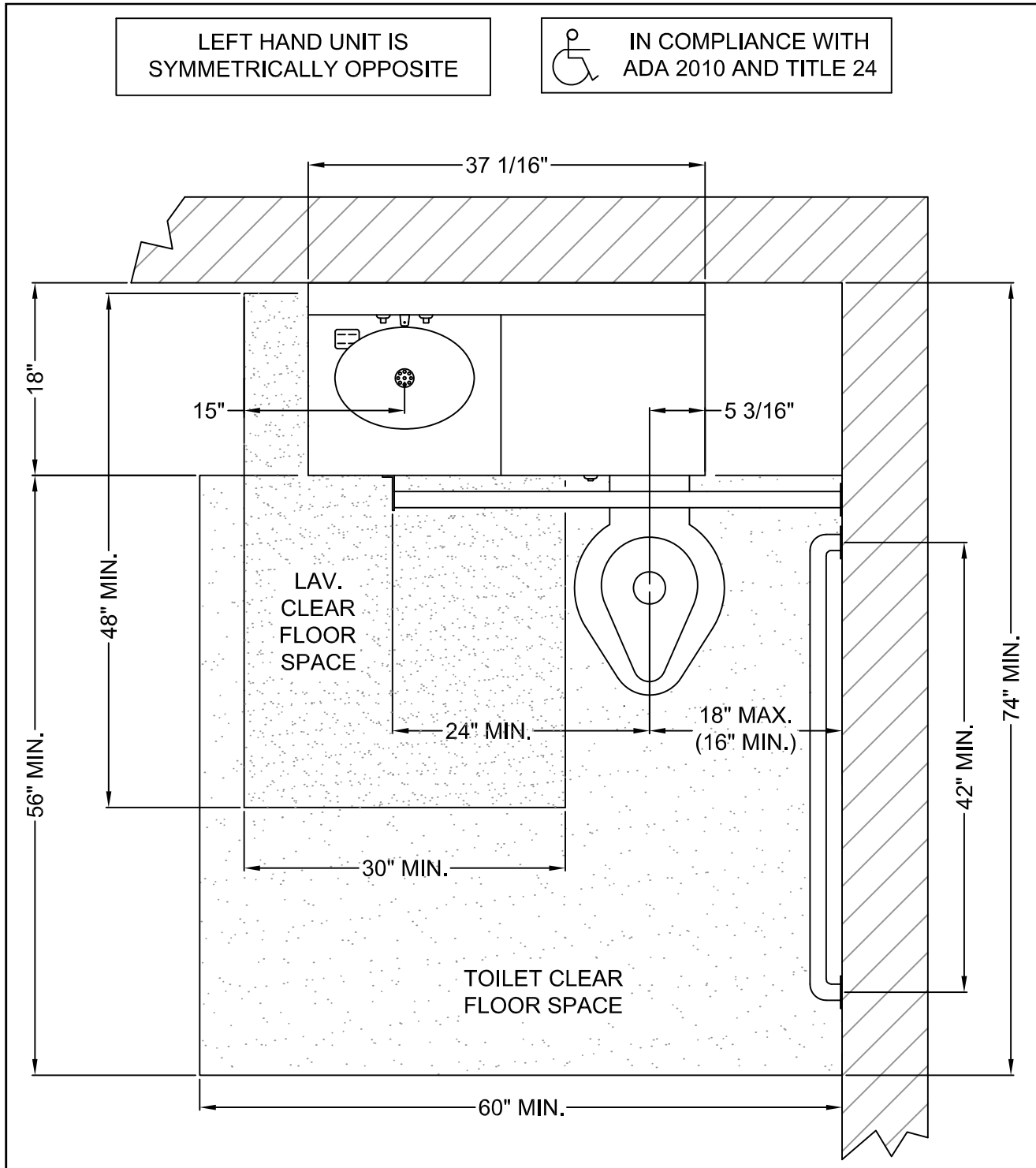
visit our website at www.willoughby-ind.com
 5105 West 78th Street • Indianapolis, IN. 46268
 (317) 875-0830 • Fax: (317) 875-0837 • (800) 428-4065



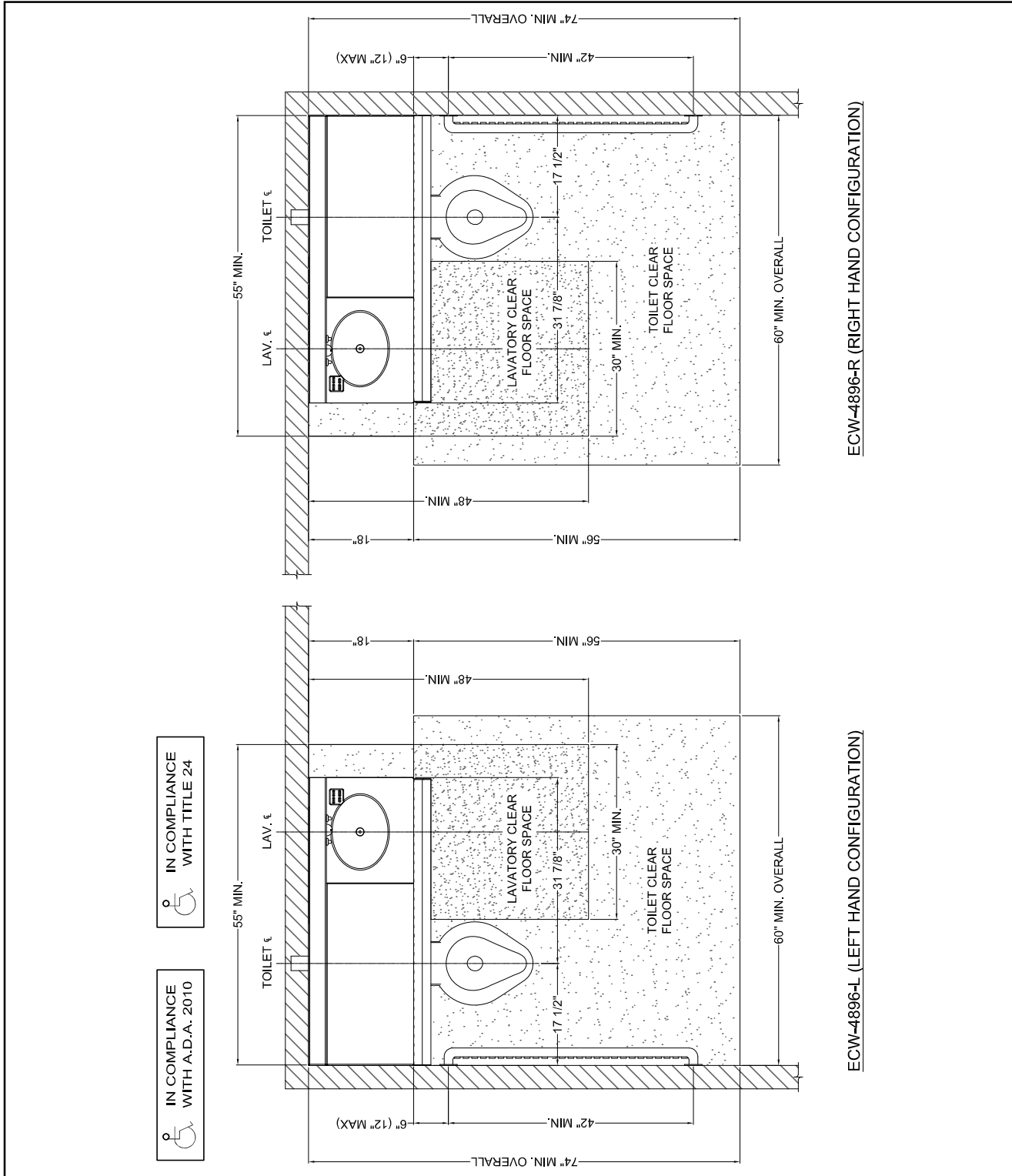
MADE IN THE U.S.A.

3696 Series

Handicap Combination Unit Layout



4896 Series
Handicap Combination Unit Layout



IN COMPLIANCE WITH TITLE 24

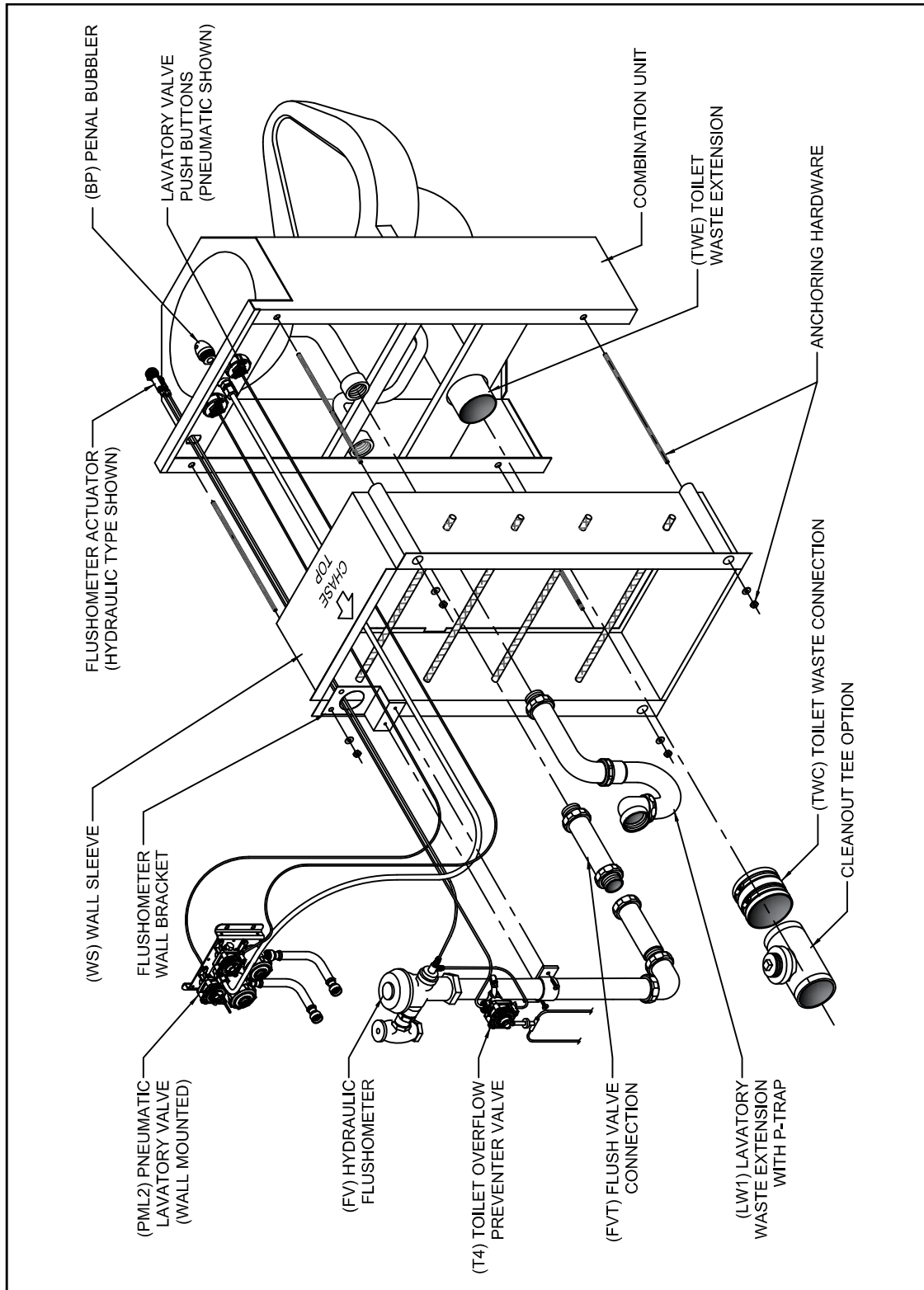
IN COMPLIANCE WITH A.D.A. 2010

visit our website at www.willoughby-ind.com
 5105 West 78th Street • Indianapolis, IN. 46268
 (317) 875-0830 • Fax: (317) 875-0837 • (800) 428-4065



MADE IN THE U.S.A.

Typical Combination Unit Installation



visit our website at www.willoughby-ind.com
 5105 West 78th Street • Indianapolis, IN. 46268
 (317) 875-0830 • Fax: (317) 875-0837 • (800) 428-4065



MADE IN THE U.S.A.

Flush Valve Selection Chart

FLUSH VALVE	COMPATIBILITY CHART	MECH'L SLOAN	HYDRAULIC SLOAN	ACTUATOR	MECH'L ZURN	HYDRAULIC ZURN	MECH'L DELANY	HYDRAULIC DELANY
ECF-1546-C-ON	COMBINATION	603	9603	MBFW	Z-6603XL	ZH-6603XL	623	1223
ECF-1546-L/R-ON	COMBINATION	603	9603	MBFW	Z-6603XL	ZH-6603XL	623	1223
ECF-1846-C-ON	COMBINATION	603	9603	MBFW	Z-6603XL	ZH-6603XL	623	1223
ECF-1846-C-ON-FA	FRONT ACCESS COMBINATION	N/A	950	MBPM	N/A	ZH-6150XL	N/A	1233
ECF-1846-L/R-ON	COMBINATION	603	9603	MBFW	Z-6603XL	ZH-6603XL	603	1223
ECF-1846-L/R-ON-FA	FRONT ACCESS COMBINATION	N/A	950	MBPM	N/A	ZH-6150XL	N/A	1233
ECF-1897-L/R-ON	COMBINATION	603	9603	MBFW	Z-6603XL	ZH-6603XL	603	1223
ECF-1897-L/R-ON-FA	FRONT ACCESS COMBINATION	N/A	950	MBPM	N/A	ZH-6150XL	N/A	1233
ECF-2046-L/R-ON	COMBINATION	603	9603	MBFW	Z-6603XL	ZH-6603XL	603	1223
ECF-2046-L/R-ON-FA	FRONT ACCESS COMBINATION	N/A	950	MBPM	N/A	ZH-6150XL	N/A	1233
ECF-2696-L/R-ON	COMBINATION	603	9603	MBFW	Z-6603XL	ZH-6603XL	603	1223
ECF-2845-L/R-ON-FA-HC	HANDICAP COMBI W/ INTEGRAL, FLUSH VLV	N/A	950	MBPM	N/A	ZH-6150XL	N/A	1233
ECF-2897-L/R-ON-FA-HC	HANDICAP COMBI W/ INTEGRAL, FLUSH VLV	N/A	950	MBPM	N/A	ZH-6150XL	N/A	1233
ECW-1545-L/R-ON-HC	HANDICAP COMBINATION	603	9603	MBFW	Z-6603XL	ZH-6603XL	603	1223
ECW-1546-C-ON	COMBINATION	603	9603	MBFW	Z-6603XL	ZH-6603XL	603	1223
ECW-1546-C-F	COMBINATION	603	9603	MBFW	Z-6603XL	ZH-6603XL	603	1223
ECW-1546-L/R-ON	COMBINATION	603	9603	MBFW	Z-6603XL	ZH-6603XL	603	1223
ECW-1546-L/R-OF	COMBINATION	603	9603	MBFW	Z-6603XL	ZH-6603XL	603	1223
ECW-1846-C-ON	COMBINATION	603	9603	MBFW	Z-6603XL	ZH-6603XL	603	1223
ECW-1846-C-ON-FA	FRONT ACCESS COMBINATION	N/A	950	MBPM	N/A	ZH-6150XL	N/A	1233
ECW-1846-C-F	COMBINATION	603	9603	MBFW	Z-6603XL	ZH-6603XL	623	1223
ECW-1846-L/R-ON	COMBINATION	603	9603	MBFW	Z-6603XL	ZH-6603XL	623	1223
ECW-1846-L/R-ON-FA	FRONT ACCESS COMBINATION	N/A	950	MBPM	N/A	ZH-6150XL	N/A	1233
ECW-1846-L/R-OF	COMBINATION	603	9603	MBFW	Z-6603XL	ZH-6603XL	623	1223
ECW-1897-L/R-ON	COMBINATION	603	9603	MBFW	Z-6603XL	ZH-6603XL	623	1223
ECW-1897-L/R-ON-FA	FRONT ACCESS COMBINATION	N/A	950	MBPM	N/A	ZH-6150XL	N/A	1233
ECW-1897-L/R-OF	COMBINATION	603	9603	MBFW	Z-6603XL	ZH-6603XL	623	1223
ECW-2046-L/R-ON	COMBINATION	603	9603	MBFW	Z-6603XL	ZH-6603XL	623	1223
ECW-2046-L/R-ON-FA	FRONT ACCESS COMBINATION	N/A	950	MBPM	N/A	ZH-6150XL	N/A	1233
ECW-2046-L/R-OF	COMBINATION	603	9603	MBFW	Z-6603XL	ZH-6603XL	623	1223
ECW-2696-L/R-OF	COMBINATION	603	9603	MBFW	Z-6603XL	ZH-6603XL	623	1223
ECW-3696-L/R-ON-FA-HC	HANDICAP COMBI W/ INTEGRAL, FLUSH VLV	N/A	950	MBPM	N/A	ZH-6150XL	N/A	1233
ECW-3696-L/R-OF-FA-HC	HANDICAP COMBI W/ INTEGRAL, FLUSH VLV	N/A	950	MBPM	N/A	ZH-6150XL	N/A	1233
ETF-1490-FM-BS	WATER CLOSET	611	9603	MBFW	Z-6611XL	ZH-6603XL	540	1240
ETF-1490-FM-BS-10"-FA	FRONT ACCESS WATER CLOSET	611	9603	MBFW	Z-6611XL	ZH-6603XL	540	1240

When specifying low flow toilets, the accompanying flush valve must be a low flow flush valve:

Delany low flow: add "1" suffix.

Sloan low flow: add "1.6" suffix (Exception: for model #110-1.6, use model #111)

Zurn low flow: add "WS-1" suffix

visit our website at www.willoughby-ind.com

5105 West 78th Street • Indianapolis, IN, 46268

(317) 875-0830 • Fax: (317) 875-0837 • (800) 428-4065



MADE IN THE U.S.A.

Flush Valve Selection Chart (cont.)

FLUSH VALVE	COMPATIBILITY CHART	MECH'L SLOAN	HYDRAULIC SLOAN	ACTUATOR	MECH'L ZURN	HYDRAULIC ZURN	MECH'L DELANY	HYDRAULIC DELANY
ETF-1490-FM-BS-12"-FA	FRONT ACCESS COMBINATION	611	9603	MBFW	Z-6611XL	ZH-6603XL	540	1240
ETF-1490-FM-BS-FA	FRONT ACCESS COMBINATION	611	9603	MBFW	Z-6611XL	ZH-6603XL	540	1240
ETF-1490-FM-BS-HC	HANDICAP WATER CLOSET	611	9603	MBFW	Z-6611XL	ZH-6603XL	540	1240
ETF-1490-FM-BS-HC-FA	HANDICAP FRONT ACCESS WATER CLOSET	611	9603	MBFW	Z-6611XL	ZH-6603XL	540	1240
ETF-1490-FM-TS	WATER CLOSET	110	910	MBFW	Z-6606XL	ZH-6606XL	439	1239
ETF-1490-FM-TS-10"-FA	FRONT ACCESS WATER CLOSET	110	910	MBFW	Z-6606XL	ZH-6606XL	439	1239
ETF-1490-FM-TS-12"-FA	FRONT ACCESS WATER CLOSET	110	910	MBFW	Z-6606XL	ZH-6606XL	439	1239
ETF-1490-FM-TS-FA	FRONT ACCESS WATER CLOSET	110	910	MBFW	Z-6606XL	ZH-6606XL	439	1239
ETF-1490-FM-TS-HC	HANDICAP WATER CLOSET	110	910	MBFW	Z-6606XL	ZH-6606XL	439	1239
ETF-1490-FM-TS-HC-FA	HANDICAP FRONT ACCESS WATER CLOSET	110	910	MBFW	Z-6606XL	ZH-6606XL	439	1239
ETW-1445-FM-BS-HC-L/R	HANDICAP WATER CLOSET	N/A	9603	MBFW	Z-6611XL	ZH-6603XL	540	1240
ETW-1445-OF-BS-HC-L/R	HANDICAP WATER CLOSET	N/A	9603	MBFW	Z-6611XL	ZH-6603XL	540	1240
ETW-1490-CM-BS	WATER CLOSET	611	9603	MBFW	Z-6611XL	ZH-6603XL	540	1240
ETW-1490-CM-TS	WATER CLOSET	110	910	MBFW	Z-6606XL	ZH-6606XL	439	1239
ETW-1490-ES	WATER CLOSET	611	9603	MBFW	Z-6611XL	ZH-6603XL	540	1240
ETW-1490-FM-BS	WATER CLOSET	611	9603	MBFW	Z-6611XL	ZH-6603XL	540	1240
ETW-1490-FM-BS-FA	FRONT ACCESS WATER CLOSET	611	9603	MBFW	Z-6611XL	ZH-6603XL	540	1240
ETW-1490-FM-BS-HC	HANDICAP WATER CLOSET	611	9603	MBFW	Z-6611XL	ZH-6603XL	540	1240
ETW-1490-FM-BS-HC-FA	HANDICAP FRONT ACCESS WATER CLOSET	611	9603	MBFW	Z-6611XL	ZH-6603XL	540	1240
ETW-1490-FM-TS	WATER CLOSET	110	910	MBFW	Z-6606XL	ZH-6606XL	439	1239
ETW-1490-FM-TS-FA	FRONT ACCESS WATER CLOSET	110	910	MBFW	Z-6606XL	ZH-6606XL	439	1239
ETW-1490-FM-TS-HC	HANDICAP WATER CLOSET	110	910	MBFW	Z-6606XL	ZH-6606XL	439	1239
ETW-1490-FM-TS-HC-FA	HANDICAP FRONT ACCESS WATER CLOSET	110	910	MBFW	Z-6606XL	ZH-6606XL	439	1239
ETW-1490-OF-BS	WATER CLOSET	611	9603	MBFW	Z-6611XL	ZH-6603XL	540	1240
ETW-1490-OF-TS	WATER CLOSET	110	910	MBFW	Z-6606XL	ZH-6606XL	439	1239
ETWS-1490-CM-BS	WATER CLOSET	611	9603	MBFW	Z-6611XL	ZH-6603XL	540	1240
ETWS-1490-CM-TS	WATER CLOSET	110	910	MBFW	Z-6606XL	ZH-6606XL	439	1239
ETWS-1490-FM-BS	WATER CLOSET	611	9603	MBFW	Z-6611XL	ZH-6603XL	540	1240
ETWS-1490-FM-BS-FA	FRONT ACCESS WATER CLOSET	611	9603	MBFW	Z-6611XL	ZH-6603XL	540	1240
ETWS-1490-FM-BS-FA-HC	HANDICAP FRONT ACCESS WATER CLOSET	611	9603	MBFW	Z-6611XL	ZH-6603XL	540	1240
ETWS-1490-FM-BS-HC	HANDICAP WATER CLOSET	110	910	MBFW	Z-6606XL	ZH-6606XL	439	1239
ETWS-1490-FM-TS	WATER CLOSET	110	910	MBFW	Z-6606XL	ZH-6606XL	439	1239
ETWS-1490-FM-TS-FA	FRONT ACCESS WATER CLOSET	110	910	MBFW	Z-6606XL	ZH-6606XL	439	1239
ETWS-1490-FM-TS-FA-HC	HANDICAP FRONT ACCESS WATER CLOSET	110	910	MBFW	Z-6606XL	ZH-6606XL	439	1239
ETWS-1490-FM-TS-HC	HANDICAP WATER CLOSET	110	910	MBFW	Z-6606XL	ZH-6606XL	439	1239
ETWS-1490-1490-OF-BS	WATER CLOSET	611	9603	MBFW	Z-6611XL	ZH-6603XL	540	1240

When specifying low flow toilets, the accompanying flush valve must be a low flow flush valve:

Delany low flow: add "1" suffix.

Sloan low flow: add "1.6" suffix (Exception: for model #110-1.6, use model #111)

Zurn low flow: add "WS-1" suffix

visit our website at www.willoughby-ind.com
 5105 West 78th Street • Indianapolis, IN. 46268
 (317) 875-0830 • Fax: (317) 875-0837 • (800) 428-4065



MADE IN THE U.S.A.

Flush Valve Selection Chart (cont.)

FLUSH VALVE	COMPATIBILITY CHART	MECH'L SLOAN	HYDRAULIC SLOAN	ACTUATOR	MECH'L ZURN	HYDRAULIC ZURN	MECH'L DELANY	HYDRAULIC DELANY
ETWS-1490-OF-TS	WATER CLOSET	110	910	MBFW	Z-6606XL	ZH-6606XL	439	1239
FD-1400-LF	DETOX UNIT LESS FLANGES	110	910	MBPH	Z-6150XL	ZH-6150XL	538	1238
FD-1400-WF	DETOX UNIT WITH FLANGES	110	910	MBPH	Z-6150XL	ZH-6150XL	538	1238
UW-1412-BJ-BS	URINAL	609	9609	MBFW	Z-6609XL	ZH-6609XL	547	1247
UW-1412-BJ-BS-FA	FRONT ACCESS URINAL	609	9609	MBFW	Z-6609XL	ZH-6609XL	547	1247
UW-1412-BJ-TS	URINAL	180-T	980-T	MBFW	Z-6610XL	ZH-6610XL	439	1239
UW-1412-BJ-TS-FA	FRONT ACCESS URINAL	180-T	980-T	MBFW	Z-6610XL	ZH-6610XL	439	1239
UW-1412-WO-BS	URINAL	613	9613	MBFW	Z-6613XL	ZH-6613XL	576	1276
UW-1412-WO-BS-FA	FRONT ACCESS URINAL	613	9613	MBFW	Z-6613XL	ZH-6613XL	576	1276
UW-1412-WO-TS	URINAL	186	986	MBFW	Z-6614XL	ZH-6614XL	575	1275
UW-1412-WO-TS-FA	FRONT ACCESS URINAL	186	986	MBFW	Z-6614XL	ZH-6614XL	575	1275
UW-1438-BS	URINAL	613	9613	MBFW	Z-6613XL	ZH-6613XL	576	1276
UW-1438-TS	URINAL	186	986	MBFW	Z-6614XL	ZH-6614XL	575	1275
UW-1814-BJ-BS	URINAL	609	9609	MBFW	Z-6609XL	ZH-6609XL	547	1247
UW-1814-BJ-BS-FA	FRONT ACCESS URINAL	609	9609	MBFW	Z-6609XL	ZH-6609XL	547	1247
UW-1814-BJ-TS	URINAL	180-T	980-T	MBFW	Z-6610XL	ZH-6610XL	439	1239
UW-1814-BJ-TS-FA	FRONT ACCESS URINAL	180-T	980-T	MBFW	Z-6610XL	ZH-6610XL	439	1239
UW-1814-WO-BS	URINAL	613	9613	MBFW	Z-6613XL	ZH-6613XL	576	1276
UW-1814-WO-BS-FA	FRONT ACCESS URINAL	613	9613	MBFW	Z-6613XL	ZH-6613XL	576	1276
UW-1814-WO-TS	URINAL	186	986	MBFW	Z-6614XL	ZH-6614XL	575	1275
UW-1814-WO-TS-FA	FRONT ACCESS URINAL	186	986	MBFW	Z-6614XL	ZH-6614XL	575	1275
UW-1836-BS	URINAL	613	9613	MBFW	Z-6613XL	ZH-6613XL	576	1276
UW-1836-MPT	URINAL	186	986	MBFW	Z-6614XL	ZH-6614XL	575	1275
UW-1836-TS	URINAL	186	986	MBFW	Z-6614XL	ZH-6614XL	575	1275
UW-1848-BS	URINAL	186	986	MBFW	Z-6614XL	ZH-6614XL	575	1275
UW-1848-MPT	URINAL	186	986	MBFW	Z-6614XL	ZH-6614XL	575	1275
UW-1848-TS	URINAL	186	986	MBFW	Z-6614XL	ZH-6614XL	575	1275
UW-1860-BS	URINAL	613	9613	MBFW	Z-6613XL	ZH-6613XL	576	1276
UW-1860-MPT	URINAL	186	986	MBFW	Z-6614XL	ZH-6614XL	575	1275
UW-1860-TS	URINAL	186	986	MBFW	Z-6614XL	ZH-6614XL	575	1275
UW-1872-BS	URINAL	609	9609	MBFW	Z-6609XL	ZH-6609XL	547	1247
UW-1872-MPT	URINAL	180-T	980-T	MBFW	Z-6610XL	ZH-6610XL	448	1248
UW-1872-TS	URINAL	180-T	980-T	MBFW	Z-6610XL	ZH-6610XL	448	1248
UW-1896-BS	URINAL	609	9609	MBFW	Z-6609XL	ZH-6609XL	547	1247
UW-1896-MPT	URINAL	180-T	980-T	MBFW	Z-6610XL	ZH-6610XL	448	1248
UW-1896-TS	URINAL	180-T	980-T	MBFW	Z-6610XL	ZH-6610XL	448	1248

When specifying low flow toilets, the accompanying flush valve must be a low flow flush valve:

Delany low flow: add "1" suffix.

Sloan low flow: add ".6" suffix (Exception: for model #110-1.6, use model #111)

Zurn low flow: add "WS-1" suffix

visit our website at www.willoughby-ind.com

5105 West 78th Street • Indianapolis, IN, 46268

(317) 875-0830 • Fax: (317) 875-0837 • (800) 428-4065



MADE IN THE U.S.A.



(Page Intentionally Left Blank)

visit our website at www.willoughby-ind.com

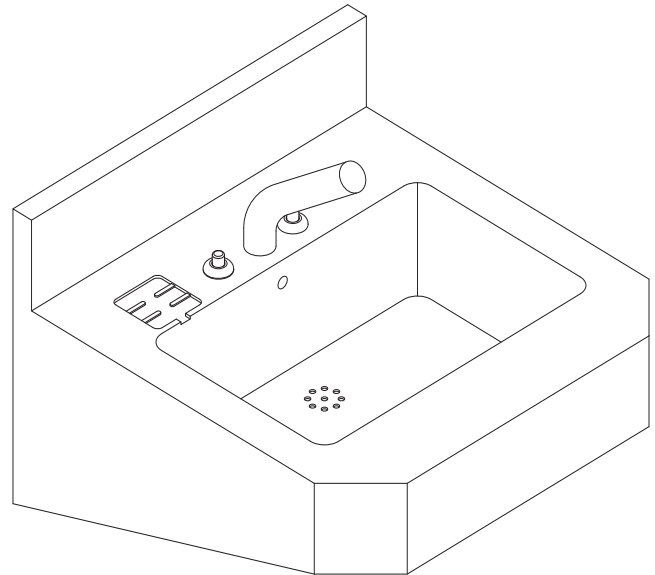
5105 West 78th Street • Indianapolis, IN. 46268

(317) 875-0830 • Fax: (317) 875-0837 • (800) 428-4065



MADE IN THE U.S.A.

ES-1015-HC Handicap Stainless Steel Commercial Lavatory



(Unit may be shown with optional features)

To specify fixture and accessories, use the Model Number and Options page.

Example: To specify a Handicap Stainless Steel Commercial Lavatory with deck mounted spout, dual temp. pneumatic metering valves, standard pneumatic push buttons, standard lav. overflow vent, and chrome plated removable P-trap

Use the following Willoughby Model Number:
ES-1015-HC-DMS-PML2-PPB-OV-TT

Recommended Specifications

Handicap Stainless Steel Commercial Lavatory shall be:
Willoughby Model No. **ES-1015-HC**
(select from model number and options list on next page)

Fixture shall be fabricated from 16 gauge, Type 304 stainless steel. The construction is all-welded with exposed stainless surfaces polished to a #3 satin finish.

Standard lavatory shall include:

- Rectangular-shaped bowl, 14-1/2" x 9-1/2" x 4-3/8" deep
- Fast drain with overflow vent
- 4" long, Ø1-1/2" tailpiece
- Self-draining soap dish

Mounting:

Anchoring shall be from the front with Z-clip and anchoring holes provided. Anchoring hardware by others. Wall requires adequate backing to support lavatory. Unit requires no chase area for installation and maintenance.

ADA, TAS, and ANSI Compliant:

When the lavatory is mounted at the standard 34" adult rim height, it complies with applicable ADA, TAS, and ANSI Z124.3 and Z124.6 accessibility guidelines.

Note: Plug-in transformer must be used with a ground fault interrupter (GFCI) receptacle to prevent possible electrical shock.

MODEL NUMBER AND OPTIONS:

1.) Lavatory Model:

- ES-1015-HC 18" Handicap Stainless Steel Commercial Lavatory

2.) Spout/Bubbler Selection:

- DMS Deck Mounted Spout
 DMBH Deck Mounted Hemispherical Bubbler

3.) Valve Selection:

- NV No Valve, No Spout / Bubbler- Faucet by Others (Select Hole Punching if needed)
 PSL1 Single Temp. Pneumatic Non-metering
 PSL2 Dual Temp. Pneumatic Non-metering
 PML1 Single Temp. Pneumatic Metering
 PML2 Dual Temp. Pneumatic Metering
 E1L1 Single Temp. Electronic (w/ Pneutronic Control)*
 E1L2 Dual Temp. Electronic (w/ Pneutronic Control)*

4.) Valve Actuation:

- PPB Pneumatic Push Buttons
 PBH Ligature-resistant Pneumatic Push Buttons
 EPB Electronic Push Buttons*
 EPBH Ligature-resistant Electronic Push Buttons*
 PZPB Piezo Electronic Push Buttons*

5.) Hole Punching Selection (Faucet by Others):

- 4CC 4" Centerset, Ø1" Holes (Specify 2 or 3 holes: ___)
 8CC 8" Centerset, Ø1" Holes (Specify 2 or 3 holes: ___)
 1CC Center Shank, (1) Ø1" Hole
 SP Special Punching (Specify hole punching dim.)
 SP: _____

6.) Lavatory Waste Options:

- TT Chrome Plated Removable P-Trap
 TE Trap Enclosure
 OV Overflow Vent (Standard)

7.) Other Options:

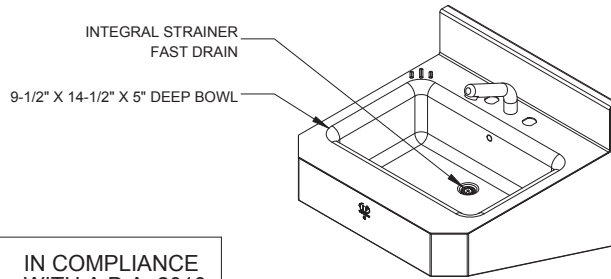
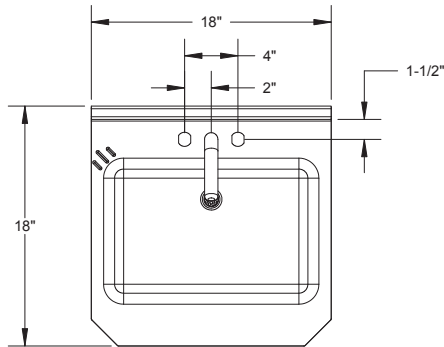
- TMV In-line Thermostatic Mixing Valve
 DC Decorator Color (Fixture exterior only - White)
 TF24H Hard-wired Transformer, 110VAC to 24VAC* (Standard)
 TF24P Plug-in Transformer, 110VAC to 24VAC*
 Other _____
 Other _____

8.) Electronic Controls* (Must Use Electronic Push Button):

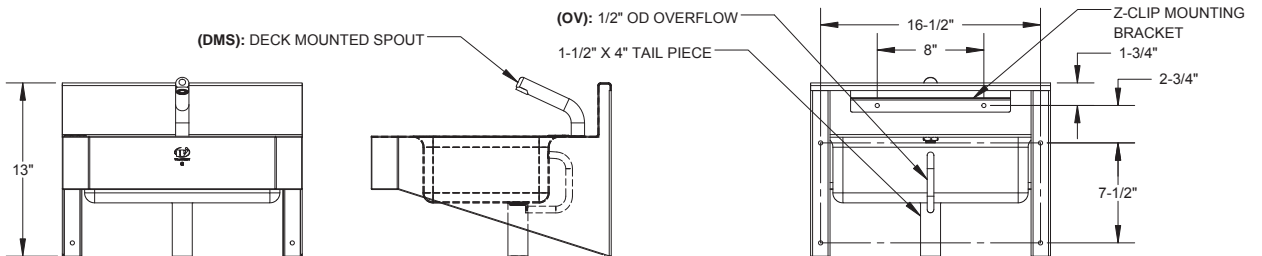
- WUCC-3010 Pneutronic
 (The WUCC-3010 Control can be used to pair a Lavatory with a Toilet)
 *(Req. 110V power through ground fault interrupter (GFCI) receptacle)

Approved For Manufacturing By: _____ Date: _____ Company: _____
 Wall Thickness: _____ Wall Type: _____

VERIFY ALL DIMENSIONS WITH FACTORY PRIOR TO ROUGH-IN
 WILLOUGHBY RESERVES THE RIGHT TO MAKE CHANGES IN DESIGN AND DIMENSIONS WITHOUT FORMAL NOTICE AND WITHOUT INCURRING OBLIGATION.



IN COMPLIANCE WITH A.D.A. 2010

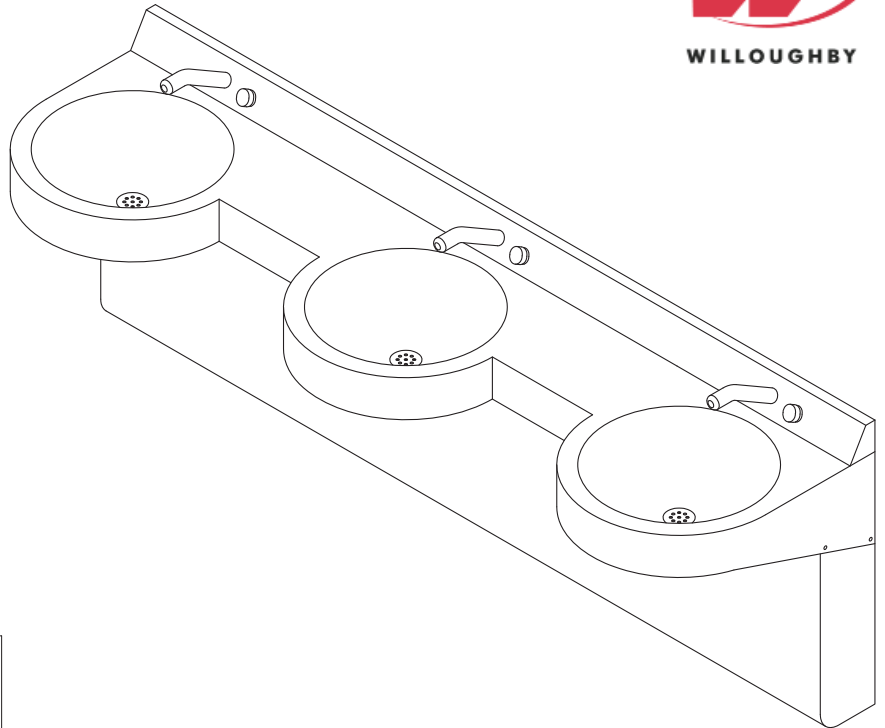


visit our website at www.willoughby-ind.com
 5105 West 78th Street • Indianapolis, IN. 46268
 (317) 875-0830 • Fax: (317) 875-0837 • (800) 428-4065



MADE IN THE U.S.A.

CWLDR Series Round Front Stainless Steel Lavatory Deck



(Unit may be shown with optional features)

To specify fixture and accessories, use the Model Number and Options page.

Example: To specify a Round Front, Stainless Steel Lavatory Deck with 3 stations, standard off-floor mounting (34" rim height), backsplash mounted spouts, single temp pneumatic palm push buttons, standard lav. overflow vents, and thermostatic mixing valve

Use the following Willoughby Model Number:

CWLDR-3-OF-BMS-PLPB1-OV-TMV

Recommended Specifications

Round Front, Stainless Steel Lavatory Deck shall be:
Willoughby Model No. **CWLDR**
(select from model number and options list on next page)

Fixture shall be fabricated from 14 gauge, Type 304 stainless steel. The construction is all-welded with exposed stainless surfaces polished to a #3 satin finish.

Standard lavatory deck shall include:

- Ø15-3/4" by 5" deep lavatory bowls
- Basin overflows
- Fast drains with overflow vents
- Elbow waste (1-1/2" F.I.P.) w/ tailpiece-type connections for slip-joint 'P' trap installations ('P' traps by others)
- Stainless steel trap enclosure/pipe shroud

Mounting:

Anchoring shall be from the front with Z-clip and anchoring holes provided. Anchoring hardware by others. Wall requires adequate backing to support lavatory deck. Unit requires no chase area for installation and maintenance.

ADA, TAS, and ANSI Compliant:

When the lavatory is mounted at the standard 34" adult rim height, it complies with applicable ADA, TAS, and ANSI Z124.3 and Z124.6 accessibility guidelines. Lavatory deck can be ordered with 31" rim height for juvenile use (JR).

Note: Plug-in transformer must be used with a ground fault interrupter (GFCI) receptacle to prevent possible electrical shock.

visit our website at www.willoughby-ind.com

5105 West 78th Street • Indianapolis, IN. 46268
(317) 875-0830 • Fax: (317) 875-0837 • (800) 428-4065



MADE IN THE U.S.A.

MODEL NUMBER AND OPTIONS:

1.) Lavatory Model:

- CWLDR Round Front Stainless Steel Lavatory Deck

2.) Number of Wash Stations:

- 1 (19" Width)
 2 (49" Width)
 3 (79" Width)
 4 (109" Width)

3.) Lavatory Mounting:

- OF Off-floor Mounted

4.) Spout Selection:

- DMS Deck Mounted Spouts, 0.5 GPM (Offset to side of bowl)
 BMS Backsplash Mounted Spouts, 0.5 GPM

5.) Valve Selection:

- NV No Valve, No Spout- Faucet by Others (Select Hole Punching if needed)
 PLPB1 Pneumatic Palm Push Buttons for Single Temperature Pneumatic Metering
 PZPB1 Piezo Electronic Push Buttons for Single Temperature Electronic (w/ Pneutronic Control)*
 IR Infrared Sensors, Hard-wired (Must select (DMS) Deck Mounted Spout)*
 BO Infrared Sensors, Battery Operated (Must select (DMS) Deck Mounted Spout)

6.) Hole Punching Selection (Faucet by Others):

- 1CC Center Shank, (1) Ø1" Hole (Requires offset mounting)
 SP Special Punching (Specify hole punching dim.)
 SP: _____

7.) Lavatory Waste Options:

- LE Less Trap Enclosure
 OV Overflow Vent (Standard)

8.) Other Options:

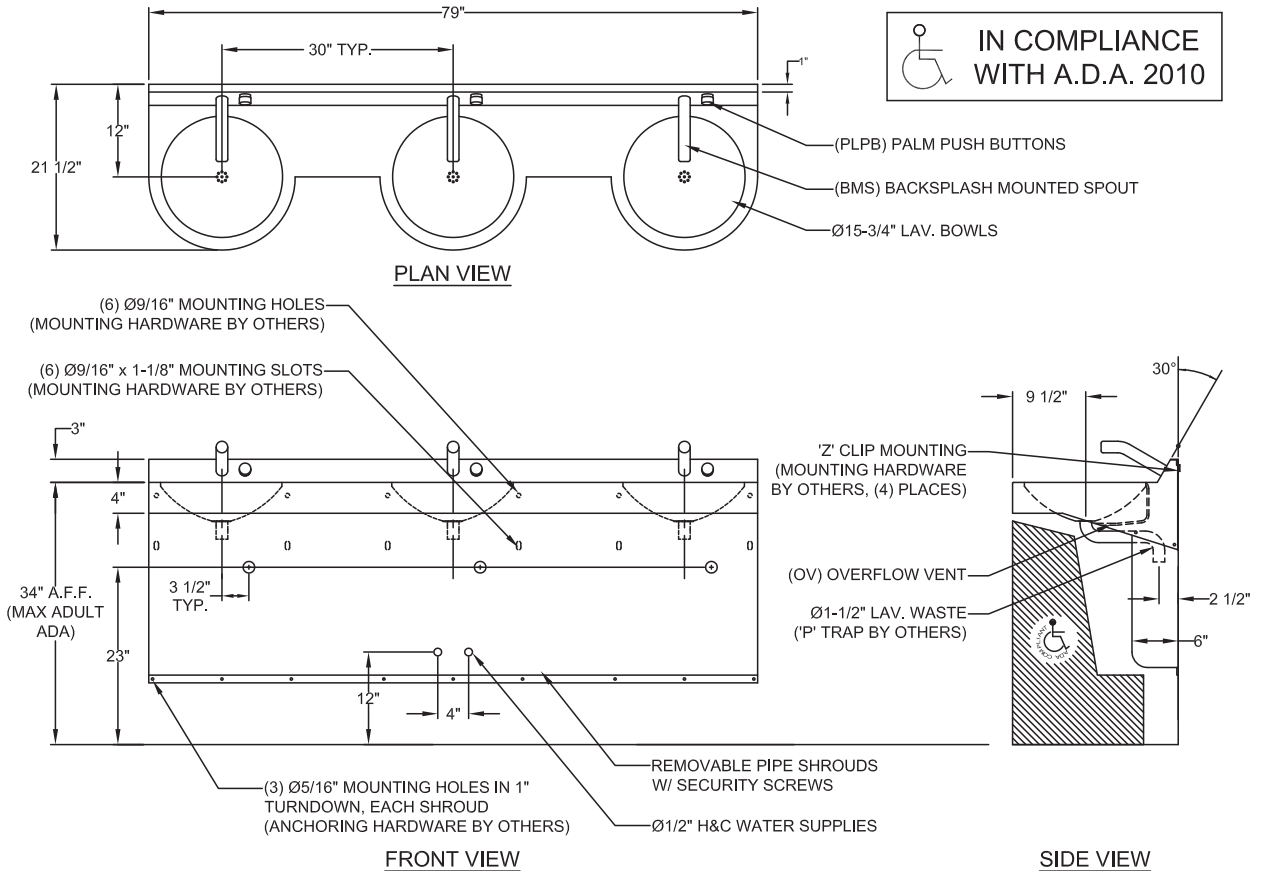
- KPLD Lavatory Kick Plate
 TMV In-line Thermostatic Mixing Valve
 DC Decorator Color (Fixture exterior only - White)
 LSDM Liquid Soap Dispensers- Deck-mounted Spout and Bottle
 JR Junior Height (31" Rim Height, JR. ADA Compliant)
 TF24H Hard-wired Transformer, 110VAC to 24VAC* (Standard)
 TF24P Plug-in Transformer, 110VAC to 24VAC*
 Other _____
 Other _____

9.) Electronic Controls* (Must Use Electronic Push Button):

- WUCC-3010 Pneutronic
 (The WUCC-3010 Control can be used to pair a Lavatory with a Toilet)
 *(Req. 110V power through ground fault interrupter (GFCI) receptacle)

Approved For Manufacturing By: _____ Date: _____ Company: _____
 Wall Thickness: _____ Wall Type: _____

VERIFY ALL DIMENSIONS WITH FACTORY PRIOR TO ROUGH-IN.
 WILLOUGHBY RESERVES THE RIGHT TO MAKE CHANGES IN DESIGN AND DIMENSIONS WITHOUT FORMAL NOTICE AND WITHOUT INCURRING OBLIGATION.



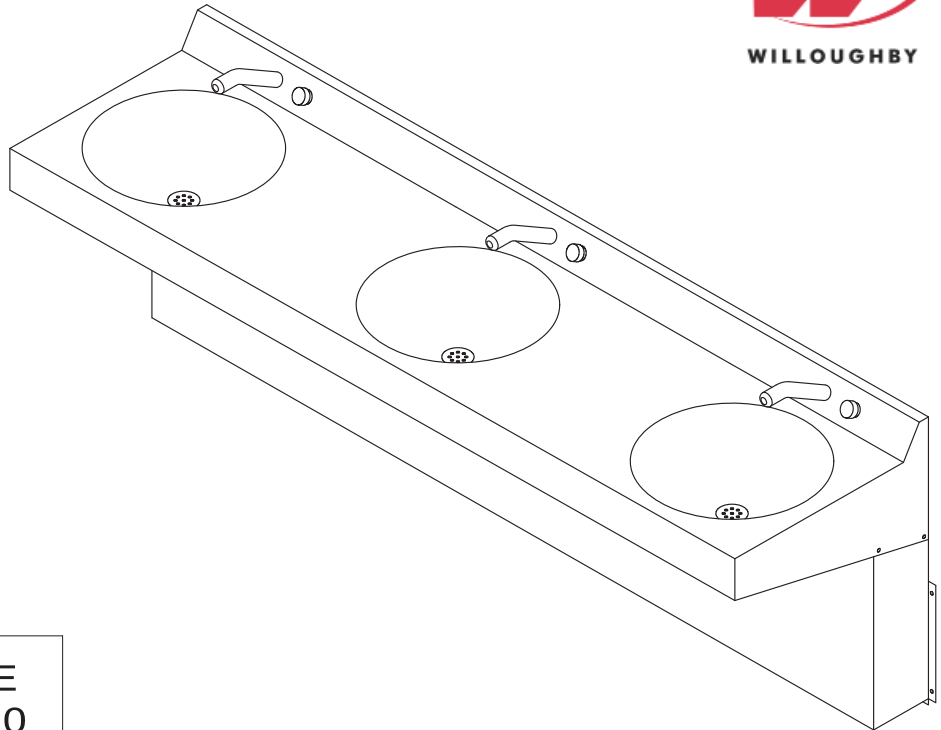
IN COMPLIANCE WITH A.D.A. 2010

visit our website at www.willoughby-ind.com
 5105 West 78th Street • Indianapolis, IN. 46268
 (317) 875-0830 • Fax: (317) 875-0837 • (800) 428-4065



MADE IN THE U.S.A.

CWLD Series Straight Front Stainless Steel Lavatory Deck



(Unit may be shown with optional features)

To specify fixture and accessories, use the Model Number and Options page.

Example: To specify a Straight Front, Stainless Steel Lavatory Deck with 3 stations, standard off-floor mounting (34" rim height), backsplash mounted spouts, single temp pneumatic palm push buttons, round lav. bowls, standard lav. overflow vents, and thermostatic mixing valve

Use the following Willoughby Model Number:

CWLD-3-OF-BMS-PLPB1-RND-OV-TMV

Recommended Specifications

Straight Front, Stainless Steel Lavatory Deck shall be:
Willoughby Model No. **CWLD**
(select from model number and options list on next page)

Fixture shall be fabricated from 14 gauge, Type 304 stainless steel. The construction is all-welded with exposed stainless surfaces polished to a #3 satin finish.

Standard lavatory deck shall include:

- Ø15-3/4" by 5" deep lavatory bowls
- Basin overflows
- Fast drains with air vents
- Elbow waste (1-1/2" F.I.P.) w/ tailpiece-type connections for slip-joint 'P' trap installations ('P' traps by others)
- Stainless steel trap enclosure/pipe shroud

Mounting:

Anchoring shall be from the front with Z-clip and anchoring holes provided. Anchoring hardware by others. Wall requires adequate backing to support lavatory deck. Unit requires no chase area for installation and maintenance.

ADA, TAS, and ANSI Compliant:

When the lavatory is mounted at the standard 34" adult rim height, it complies with applicable ADA, TAS, and ANSI Z124.3 and Z124.6 accessibility guidelines. Lavatory deck can be ordered with 31" rim height for juvenile use (JR).

Note: Plug-in transformer must be used with a ground fault interrupter (GFCI) receptacle to prevent possible electrical shock.

visit our website at www.willoughby-ind.com

5105 West 78th Street • Indianapolis, IN. 46268
(317) 875-0830 • Fax: (317) 875-0837 • (800) 428-4065



MADE IN THE U.S.A.

MODEL NUMBER AND OPTIONS:

1.) Lavatory Model:

- CWLD Straight Front Stainless Steel Lavatory Deck

2.) Number of Wash Stations:

- 1 (24" Width)
 2 (48" Width)
 3 (72" Width)
 4 (96" Width)

3.) Lavatory Mounting:

- OF Off-floor Mounted

4.) Spout Selection:

- DMS Deck Mounted Spouts, 0.5 GPM (Offset to side of bowl)
 BMS Backsplash Mounted Spouts, 0.5 GPM

5.) Valve Selection:

- NV No Valve, No Spout- Faucet by Others (Select Hole Punching if needed)
 PLPB1 Pneumatic Palm Push Buttons for Single Temperature Pneumatic Metering
 PZPB1 Piezo Electronic Push Buttons for Single Temperature Electronic (w/ Pneumatic Control)*
 IR Infrared Sensors, Hard-wired (Must select (DMS) Deck Mounted Spout)*
 BO Infrared Sensors, Battery Operated (Must select (DMS) Deck Mounted Spout)

6.) Lavatory Bowl:

- RND Round Bowl
 OVL Oval Bowl

7.) Hole Punching Selection (Faucet by Others):

- 4CC 4" Centerset, Ø1" Holes* (Requires Oval bowl, specify 2 or 3 holes:___)
 8CC 8" Centerset, Ø1" Holes* (Requires Oval bowl, specify 2 or 3 holes:___)
 1CC Center Shank, (1) Ø1" Hole
 SP Special Punching (Specify hole punching dim.) SP: _____

8.) Lavatory Waste Options:

- LE Less Trap Enclosure
 OV Overflow Vent (Standard)

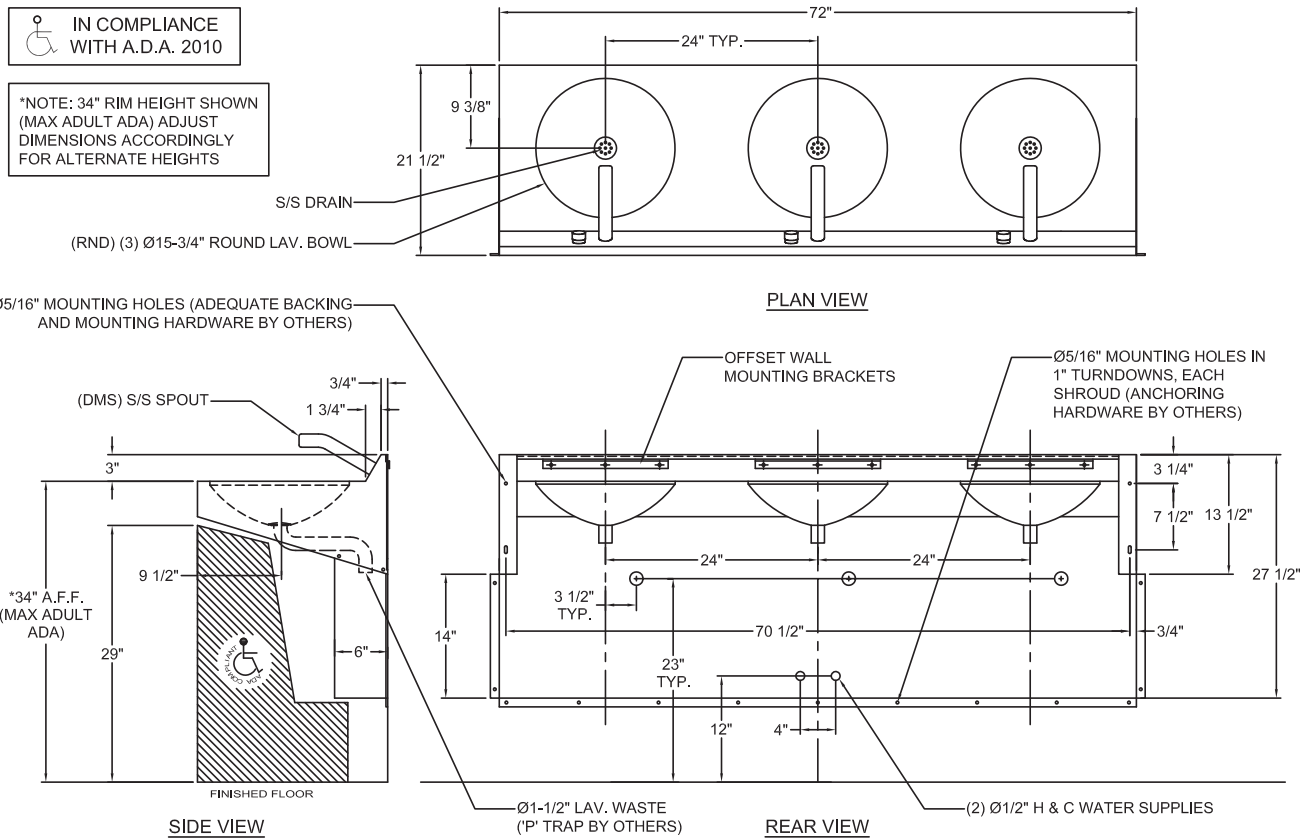
9.) Other Options:

- KPLD Lavatory Kick Plate
 TMV In-line Thermostatic Mixing Valve
 DC Decorator Color (Fixture exterior only - White)
 LSDM Liquid Soap Dispensers- Deck-mounted Spout and Bottle
 JR Junior Height (31" Rim Height, JR. ADA Compliant)
 TF24H Hard-wired Transformer, 110VAC to 24VAC* (Standard)
 TF24P Plug-in Transformer, 110VAC to 24VAC*
 Other _____
 Other _____

10.) Electronic Controls* (Must Use Electronic Push Button):

- WUCC-3010 Pneumatic
 (The WUCC-3010 Control can be used to pair a Lavatory with a Toilet)
 *(Req. 110V power through ground fault interrupter (GFCI) receptacle)

Approved For Manufacturing By: _____ Date: _____ Company: _____
 Wall Thickness: _____ Wall Type: _____



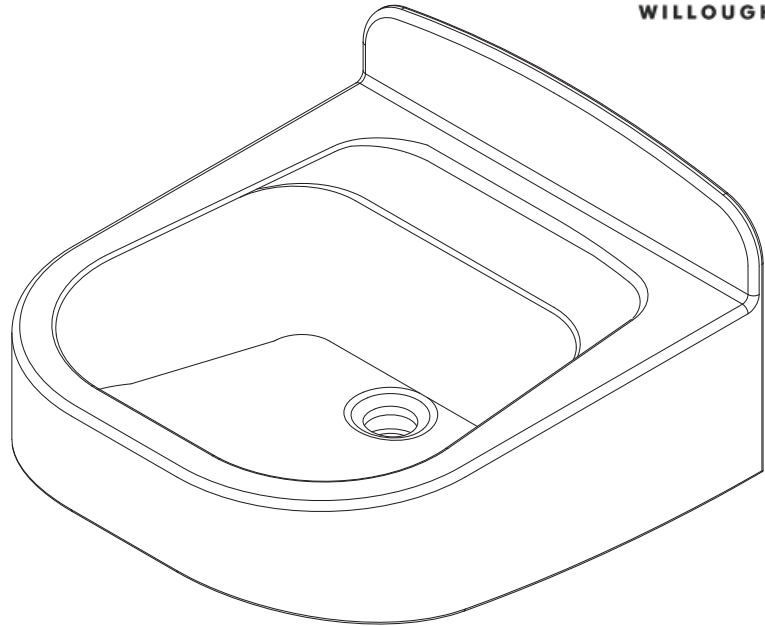
VERIFY ALL DIMENSIONS WITH FACTORY PRIOR TO ROUGH-IN
 WILLOUGHBY RESERVES THE RIGHT TO MAKE CHANGES IN DESIGN AND DIMENSIONS WITHOUT FORMAL NOTICE AND WITHOUT INCURRING OBLIGATION.

visit our website at www.willoughby-ind.com
 5105 West 78th Street • Indianapolis, IN. 46268
 (317) 875-0830 • Fax: (317) 875-0837 • (800) 428-4065



MADE IN THE U.S.A.

WEL-2311 Aquasurf® Single Station Executive Lavatory



(Unit may be shown with optional features)

To specify fixture and accessories, use the Model Number and Options Guide.

Example: To specify an Aquasurf® Single Station Executive Lavatory with no faucet holes (standard), Sandstone color, and a stainless steel trap cover

Use the following Willoughby Model Number:

WEL-2311-NV-SS-TE

Recommended Specifications

Aquasurf® Single Station Executive Lavatory shall be:
Willoughby Model No. **WEL-2311**
(Select from model number and options list on next page)

Aquasurf® Executive Lavatory bowl shall be constructed of molded cast polymer densified solid surface material composed of polyester/acrylic resin, UV stabilizer, aluminum trihydrate, and mineral fillers. The Aquasurf® solid surface material is resistant to stains, impact and burns. Surface damage can be easily repaired with everyday cleansers and/or fine grit abrasives.

Aquasurf® Executive Lavatory will accommodate one user at a time and features standard integral:

- Oval bowl with soap/faucet ledge
- 4" coved backsplash
- Wrap-around front edge
- Basin overflow

Mounting:

Heavy-gauge stainless steel mounting bracket shall be supplied standard with the lavatory (fasteners by others).

Faucet Holes:

Aquasurf® Executive Lavatory can be drilled for 4" Centerset (4CC) faucet, 8" Centerset (8CC) faucet, 1" Centershank (1CC) faucet, and/or deck-mounted soap dispensers/accessories (deck can be ordered with holes from the factory or without holes for later installation; faucets and accessories by others).

ADA, TAS, and ANSI Compliant:

When the deck is mounted at the standard 34" adult rim height, it complies with applicable ADA, TAS, and ANSI Z124.3 and Z124.6 accessibility guidelines without the need for an offset drain.

Optional Features:

Aquasurf® Executive Lavatories are available with an optional stainless steel trap cover.

visit our website at www.willoughby-ind.com

5105 West 78th Street • Indianapolis, IN. 46268

(317) 875-0830 • Fax: (317) 875-0837 • (800) 428-4065



MADE IN THE U.S.A.

MODEL NUMBER AND OPTIONS:

1.) Base Model Number:

WEL-2311 Aquasurf® Single Station Executive Lavatory

2.) Hole Drilling Selection (Faucet by Others):

- NV No Faucet Holes (Standard)
- 4CC 4" Centerset, Ø1" Holes (Specify 2 or 3 holes:___)
- 8CC 8" Centerset, Ø1" Holes (Specify 2 or 3 holes:___)
- 1CC Center Shank, (1) Ø1" Hole
- SP Special Drilling (Specify hole drilling dim.)
SP: _____

3.) Solid Surface Colors:

- BN Bone
- GW Glacier White
- GG Gray Granite
- SS Sandstone
- WG White Granite
- BG Black Granite
- NB Nocturnal Blue
- RC Red Coral
- SG Sea Green

4.) Options:

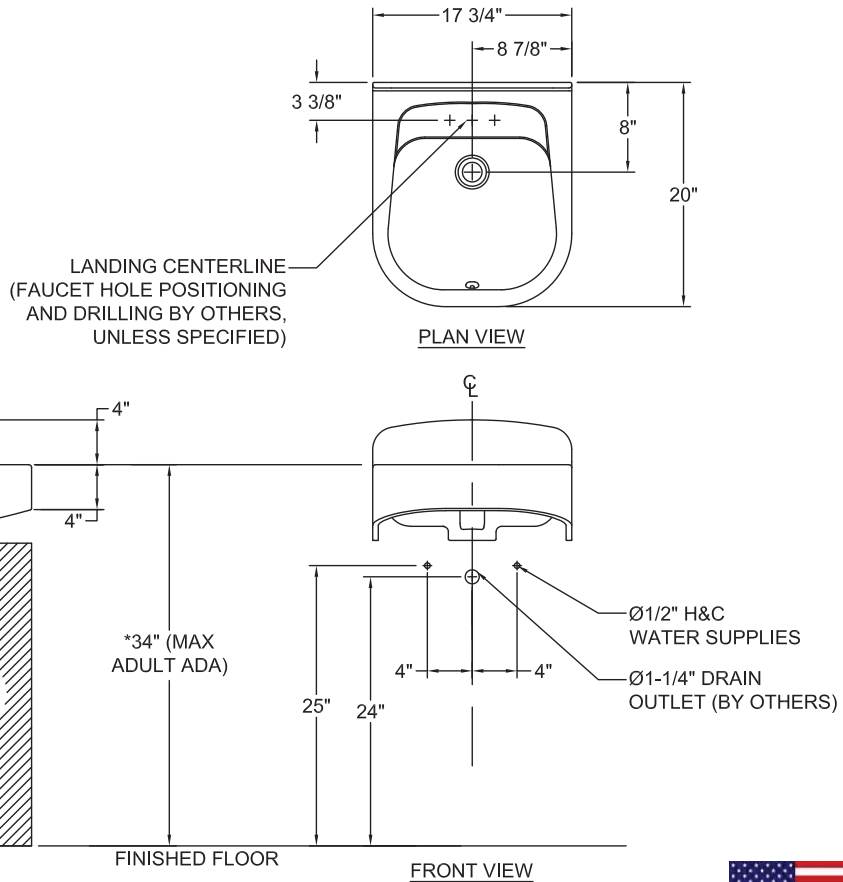
- TE Trap Enclosure
- Other _____
- Other _____

Approved For Manufacturing By: _____ Date: _____ Company: _____
 Wall Thickness: _____ Wall Type: _____



*NOTE: 34" RIM HEIGHT SHOWN (MAX ADULT ADA) ADJUST DIMENSIONS ACCORDINGLY FOR ALTERNATE HEIGHTS

VERIFY ALL DIMENSIONS WITH FACTORY PRIOR TO ROUGH-IN
 WILLOUGHBY RESERVES THE RIGHT TO MAKE CHANGES IN DESIGN AND DIMENSIONS WITHOUT FORMAL NOTICE AND WITHOUT INCURRING OBLIGATION.

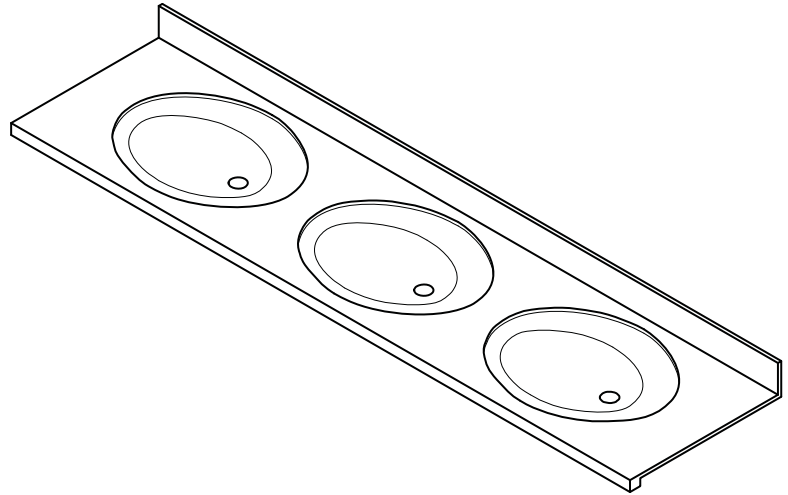


visit our website at www.willoughby-ind.com
 5105 West 78th Street • Indianapolis, IN. 46268
 (317) 875-0830 • Fax: (317) 875-0837 • (800) 428-4065



MADE IN THE U.S.A.

AquaDeck 2230 Series Square Front (1-1/2") Solid Surface Lavatory Deck



(Unit may be shown with optional features)

To specify fixture and accessories, use the Model Number and Options Guide.

Example: To specify an AquaDeck 2230 Series, Square Front (1-1/2"), Solid Surface Lavatory Deck with no faucet holes (standard), White Granite color, standard square-eased front edge, and right and left side splashes

Use the following Willoughby Model Number:

WAD-2230-3-NV-WG-WADSS-0422R-WADSS-0422L

Recommended Specifications

AquaDeck 2230 Series, Square Front (1-1/2"), Solid Surface Lavatory Deck shall be:

Willoughby Model No. **WAD-2230**

(Select from model number and options list on next page)

The lavatory deck shall be constructed of Aquasurf® molded cast polymer densified solid surface material composed of polyester/acrylic resin, UV stabilizer, aluminum trihydrate, and mineral fillers. The Aquasurf® solid surface material is resistant to stains, impact and burns. Surface damage can be easily repaired with everyday cleansers and/or fine grit abrasives.

AquaDeck lavatory deck shall be a modular cast component with standard integral features:

- Oval bowl with soap/faucet ledge
- 4" coved backsplash
- Straight sides
- 1-1/2" square-eased front edge
- Basin overflow
- Drain hole for 1-1/4" pop-up drain

Mounting:

Unit is designed to be supported by in-wall carriers (supplied by others). Optional stainless steel wall mounting brackets are available; specify left or right brackets when ordering.

ADA, TAS, and ANSI Compliant:

When the lavatory deck is mounted at the standard 34" adult rim height, it complies with applicable ADA, TAS, and ANSI Z124.3 and Z124.6 accessibility guidelines.

Optional Features:

AquaDeck lavatory decks offer liquid soap dispensers as optional accessories. AquaDeck lavatory decks can be ordered with Bullnosed or Beveled front edge styles instead of standard square-eased edges and/or 31" rim heights for juvenile use (JR).



MODEL NUMBER AND OPTIONS:

1.) Lavatory Model:

- WAD-2230 AquaDeck 2230 Series, Square Front (1-1/2"), Solid Surface Lavatory Deck

2.) Number of Wash Stations:

- 1 2 3 4

3.) Hole Drilling Selection (Faucet by Others):

- NV No Faucet Holes (Standard)
 4CC 4" Centerset, Ø1" Holes (Specify 2 or 3 holes:___)
 8CC 8" Centerset, Ø1" Holes (Specify 2 or 3 holes:___)
 1CC Center Shank, (1) Ø1" Hole
 SP Special Drilling (Specify hole drilling dim.)
 SP: _____

4.) Solid Surface Colors:

- BN Bone
 GW Glacier White
 GG Gray Granite
 SS Sandstone
 WG White Granite
 BG Black Granite
 NB Nocturnal Blue
 RC Red Coral
 SG Sea Green

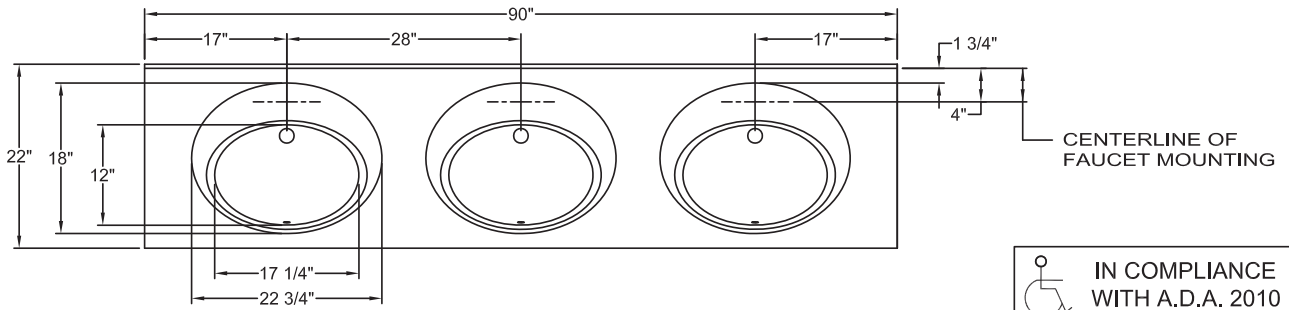
5.) Edge Style:

- Square-eased Front Edge (Standard)
 BLN Bullnosed
 BV Beveled

6.) Options:

- LSDM Liquid Soap Dispensers- Deck-mounted Spout and Bottle
 JR Junior Height, 31" Rim Height (JR. ADA Compliant)
 WADSS-BRKT-R Wall Mounting Bracket- Right
 WADSS-BRKT-L Wall Mounting Bracket- Left
 WADSS-0422R Right Side Splash
 WADSS-0422L Left Side Splash
 W-SS-DS Stainless Steel Modular Drain Shroud
 Other _____
 Other _____

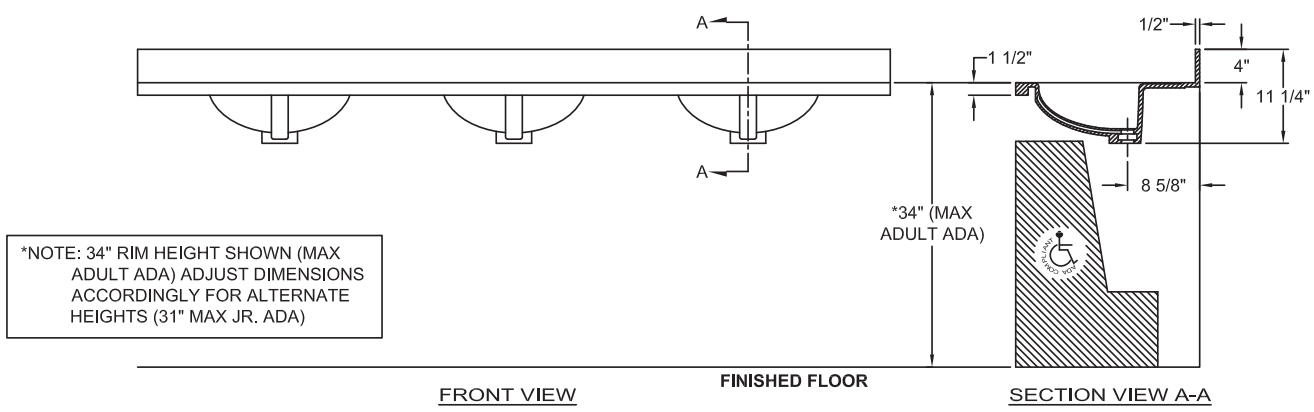
Approved For Manufacturing By: _____ Date: _____ Company: _____
 Wall Thickness: _____ Wall Type: _____



PLAN VIEW



VERIFY ALL DIMENSIONS WITH FACTORY PRIOR TO ROUGH-IN
 WILLOUGHBY RESERVES THE RIGHT TO MAKE CHANGES IN DESIGN AND DIMENSIONS WITHOUT FORMAL NOTICE AND WITHOUT INCURRING OBLIGATION.



*NOTE: 34" RIM HEIGHT SHOWN (MAX ADULT ADA) ADJUST DIMENSIONS ACCORDINGLY FOR ALTERNATE HEIGHTS (31" MAX JR. ADA)

FRONT VIEW

FINISHED FLOOR

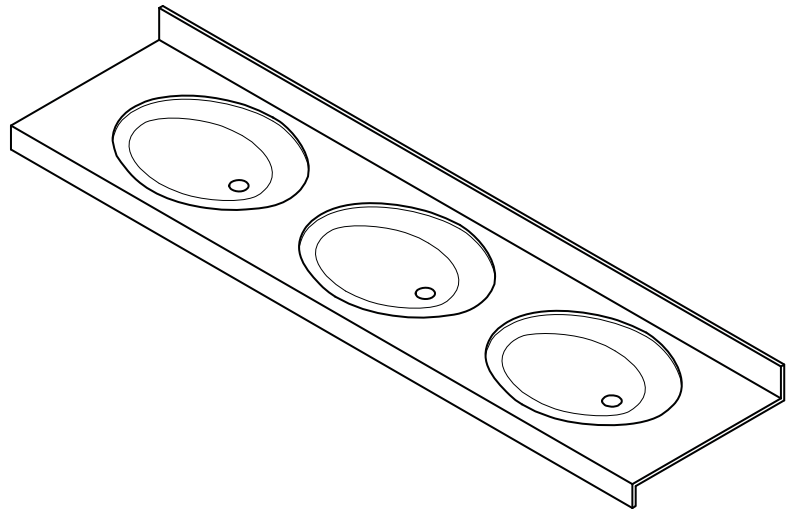
SECTION VIEW A-A

visit our website at www.willoughby-ind.com
 5105 West 78th Street • Indianapolis, IN. 46268
 (317) 875-0830 • Fax: (317) 875-0837 • (800) 428-4065



MADE IN THE U.S.A.

AquaDeck 2235 Series Square Front (3") Solid Surface Lavatory Deck



(Unit may be shown with optional features)

To specify fixture and accessories, use the Model Number and Options Guide.

Example: To specify an AquaDeck 2235 Series, Square Front (3"), Solid Surface Lavatory Deck with no faucet holes (standard), Black Granite color, bullnose front edge, and left side apron

Use the following Willoughby Model Number:
WAD-2235-3-NV-BG-BLN-WAD-APIS-422L

Recommended Specifications

AquaDeck 2235 Series, Square Front (3"), Solid Surface Lavatory Deck shall be:
Willoughby Model No. **WAD-2235**
(Select from model number and options list on next page)

The lavatory deck shall be constructed of Aquasurf® molded cast polymer densified solid surface material composed of polyester/acrylic resin, UV stabilizer, aluminum trihydrate, and mineral fillers. The Aquasurf® solid surface material is resistant to stains, impact and burns. Surface damage can be easily repaired with everyday cleansers and/or fine grit abrasives.

AquaDeck lavatory deck shall be a modular cast component with standard integral features:

- Oval bowl with soap/faucet ledge
- 4" coved backsplash
- Straight sides
- 3" square-eased front edge
- Basin overflow
- Drain hole for 1-1/4" pop-up drain

Mounting:

Unit is designed to be supported by in-wall carriers (supplied by others). Optional stainless steel wall mounting brackets are available; specify left or right brackets when ordering.

ADA, TAS, and ANSI Compliant:

When the lavatory deck is mounted at the standard 34" adult rim height, it complies with applicable ADA, TAS, and ANSI Z124.3 and Z124.6 accessibility guidelines.

Optional Features:

AquaDeck lavatory decks offer liquid soap dispensers as optional accessories. AquaDeck lavatory decks can be ordered with Bullnosed or Beveled front edge styles instead of standard square-eased edges and/or 31" rim heights for juvenile use (JR).

MODEL NUMBER AND OPTIONS:

1.) Lavatory Model:

- WAD-2235 AquaDeck 2235 Series, Square Front (3"), Solid Surface Lavatory Deck

2.) Number of Wash Stations:

- 1 2 3 4

3.) Hole Drilling Selection (Faucet by Others):

- NV No Faucet Holes (Standard)
 4CC 4" Centerset, Ø1" Holes (Specify 2 or 3 holes:___)
 8CC 8" Centerset, Ø1" Holes (Specify 2 or 3 holes:___)
 1CC Center Shank, (1) Ø1" Hole
 SP Special Drilling (Specify hole drilling dim.)
 SP: _____

4.) Solid Surface Colors:

- BN Bone
 GW Glacier White
 GG Gray Granite
 SS Sandstone
 WG White Granite
 BG Black Granite
 NB Nocturnal Blue
 RC Red Coral
 SG Sea Green

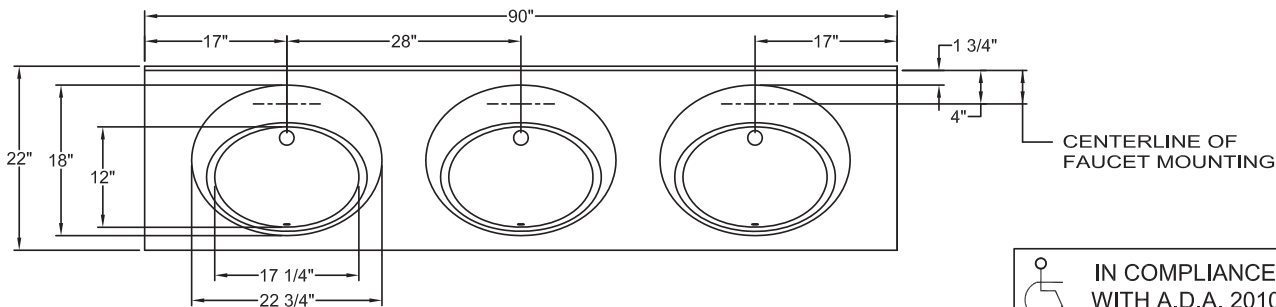
5.) Edge Style:

- Square-eased Front Edge (Standard)
 BLN Bullnosed
 BV Beveled

6.) Options:

- LSDM Liquid Soap Dispensers- Deck-mounted Spout and Bottle
 JR Junior Height, 31" Rim Height (JR. ADA Compliant)
 WADSS-BRKT-R Wall Mounting Bracket- Right
 WADSS-BRKT-L Wall Mounting Bracket- Left
 WADSS-0422R Right Side Splash
 WADSS-0422L Left Side Splash
 WAD-APIS-422R Integral Right Side Apron
 WAD-APIS-422L Integral Left Side Apron
 W-SS-DS Stainless Steel Modular Drain Shroud
 Other _____
 Other _____

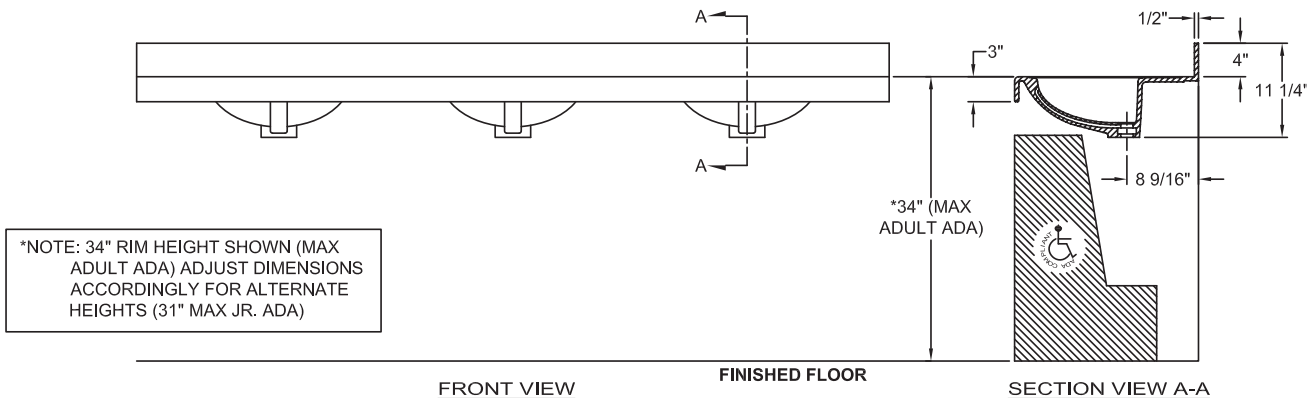
Approved For Manufacturing By: _____ Date: _____ Company: _____
 Wall Thickness: _____ Wall Type: _____



PLAN VIEW



VERIFY ALL DIMENSIONS WITH FACTORY PRIOR TO ROUGH-IN
 WILLOUGHBY RESERVES THE RIGHT TO MAKE CHANGES IN DESIGN AND DIMENSIONS WITHOUT FORMAL NOTICE AND WITHOUT INCURRING OBLIGATION.



*NOTE: 34" RIM HEIGHT SHOWN (MAX ADULT ADA) ADJUST DIMENSIONS ACCORDINGLY FOR ALTERNATE HEIGHTS (31" MAX JR. ADA)

FRONT VIEW

FINISHED FLOOR

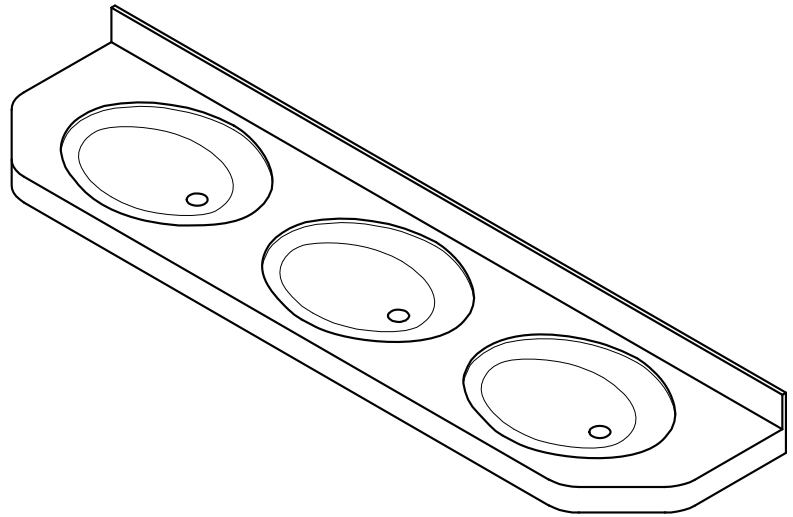
SECTION VIEW A-A

visit our website at www.willoughby-ind.com
 5105 West 78th Street • Indianapolis, IN. 46268
 (317) 875-0830 • Fax: (317) 875-0837 • (800) 428-4065



MADE IN THE U.S.A.

AquaDeck 2240 Series Angled Front Solid Surface Lavatory Deck



(Unit may be shown with optional features)

To specify fixture and accessories, use the Model Number and Options Guide.

Example: To specify an AquaDeck 2240 Series, Angled Front, Solid Surface Lavatory Deck with no faucet holes (standard), Nocturnal Blue color, bullnose front edges, and right and left side splashes

Use the following Willoughby Model Number:
WAD-2240-3-NV-NB-BLN-WADSS-0422R-WADSS-0422L

Recommended Specifications

AquaDeck 2240 Series, Angled Front, Solid Surface Lavatory Deck shall be:

Willoughby Model No. **WAD-2240**

(Select from model number and options list on next page)

The lavatory deck shall be constructed of Aquasurf® molded cast polymer densified solid surface material composed of polyester/acrylic resin, UV stabilizer, aluminum trihydrate, and mineral fillers. The Aquasurf® solid surface material is resistant to stains, impact and burns. Surface damage can be easily repaired with everyday cleansers and/or fine grit abrasives.

AquaDeck lavatory deck shall be a modular cast component with standard integral features:

- 45° angled front corners with matched front and side aprons
- Oval bowl with soap/faucet ledge
- 4" covered backsplash
- All square-eased front edges
- Basin overflow
- Drain hole for 1-1/4" pop-up drain

Mounting:

Unit is designed to be supported by in-wall carriers (supplied by others). Optional stainless steel wall mounting brackets are available; specify left or right brackets when ordering.

ADA, TAS, and ANSI Compliant:

When the lavatory deck is mounted at the standard 34" adult rim height, it complies with applicable ADA, TAS, and ANSI Z124.3 and Z124.6 accessibility guidelines.

Optional Features:

AquaDeck lavatory decks offer liquid soap dispensers as optional accessories. AquaDeck lavatory decks can be ordered with Bullnosed or Beveled front edge styles instead of standard square-eased edges and/or 31" rim heights for juvenile use (JR).

visit our website at www.willoughby-ind.com
5105 West 78th Street • Indianapolis, IN. 46268
(317) 875-0830 • Fax: (317) 875-0837 • (800) 428-4065



MADE IN THE U.S.A.

MODEL NUMBER AND OPTIONS:

1.) Lavatory Model:

- WAD-2240 AquaDeck 2240 Series, Angled Front, Solid Surface Lavatory Deck

2.) Number of Wash Stations:

- 1 2 3 4

3.) Hole Drilling Selection (Faucet by Others):

- NV No Faucet Holes (Standard)
 4CC 4" Centerset, Ø1" Holes (Specify 2 or 3 holes:___)
 8CC 8" Centerset, Ø1" Holes (Specify 2 or 3 holes:___)
 1CC Center Shank, (1) Ø1" Hole
 SP Special Drilling (Specify hole drilling dim.)
 SP: _____

4.) Solid Surface Colors:

- BN Bone
 GW Glacier White
 GG Gray Granite
 SS Sandstone
 WG White Granite
 BG Black Granite
 NB Nocturnal Blue
 RC Red Coral
 SG Sea Green

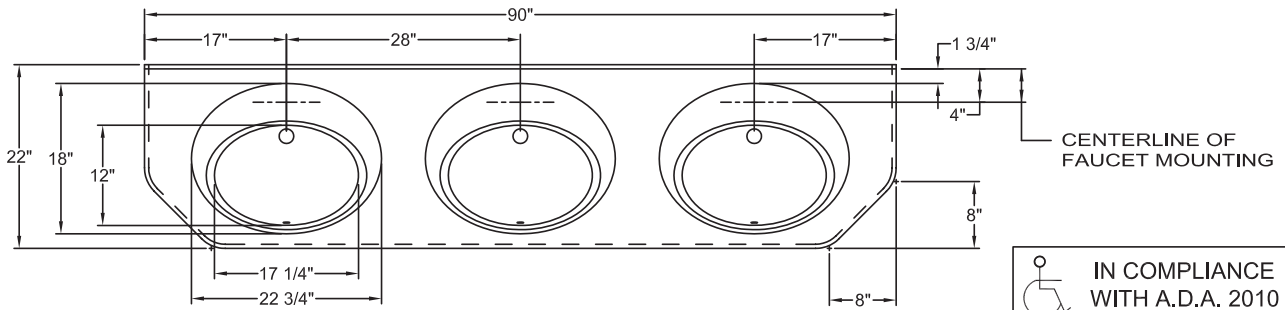
5.) Edge Style:

- Square-eased Front Edge (Standard)
 BLN Bullnosed
 BV Beveled

6.) Options:

- LSDM Liquid Soap Dispensers- Deck-mounted Spout and Bottle
 JR Junior Height, 31" Rim Height (JR. ADA Compliant)
 WADSS-BRKT-R Wall Mounting Bracket- Right
 WADSS-BRKT-L Wall Mounting Bracket- Left
 WADSS-0422R Right Side Splash
 WADSS-0422L Left Side Splash
 WAD-APIS-422R Integral Right Side Apron
 WAD-APIS-422L Integral Left Side Apron
 W-SS-DS Stainless Steel Modular Drain Shroud
 Other _____
 Other _____

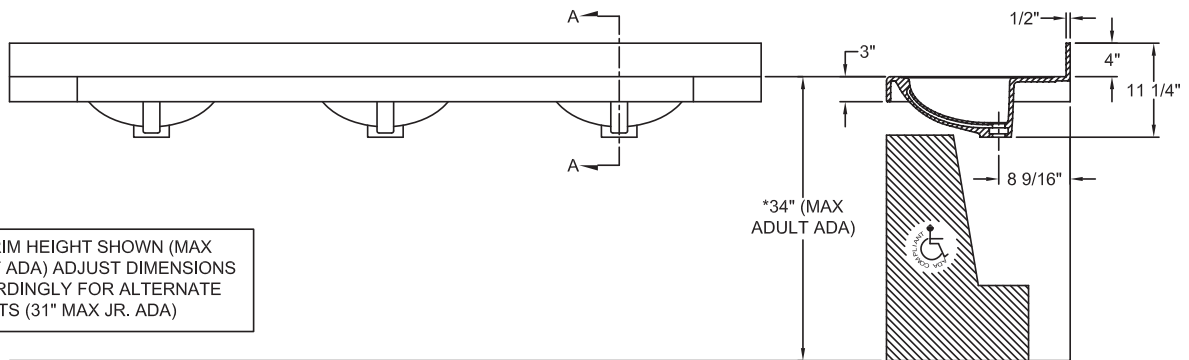
Approved For Manufacturing By: _____ Date: _____ Company: _____
 Wall Thickness: _____ Wall Type: _____



PLAN VIEW



VERIFY ALL DIMENSIONS WITH FACTORY PRIOR TO ROUGH-IN
 WILLOUGHBY RESERVES THE RIGHT TO MAKE CHANGES IN DESIGN AND DIMENSIONS WITHOUT FORMAL NOTICE AND WITHOUT INCURRING OBLIGATION.



*NOTE: 34" RIM HEIGHT SHOWN (MAX ADULT ADA) ADJUST DIMENSIONS ACCORDINGLY FOR ALTERNATE HEIGHTS (31" MAX JR. ADA)

FRONT VIEW

FINISHED FLOOR

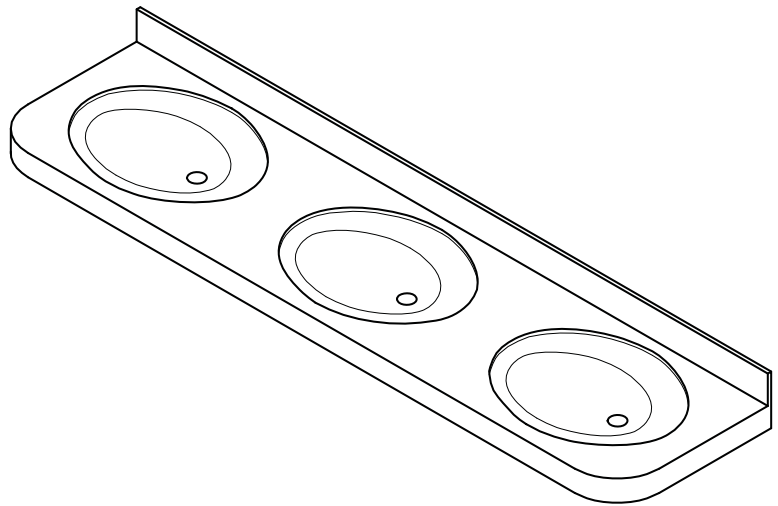
SECTION VIEW A-A

visit our website at www.willoughby-ind.com
 5105 West 78th Street • Indianapolis, IN. 46268
 (317) 875-0830 • Fax: (317) 875-0837 • (800) 428-4065



MADE IN THE U.S.A.

AquaDeck 2250 Series Radiused Front Solid Surface Lavatory Deck



(Unit may be shown with optional features)

To specify fixture and accessories, use the Model Number and Options Guide.

Example: To specify an AquaDeck 2250 Series, Radiused Front, Solid Surface Lavatory Deck with no faucet holes (standard), Red Coral color, standard square-eased front edges, and right and left side splashes

Use the following Willoughby Model Number:
WAD-2250-3-NV-RC-WADSS-0412R-WADSS-0412L

Recommended Specifications

AquaDeck 2250 Series, Radiused Front, Solid Surface Lavatory Deck shall be:

Willoughby Model No. **WAD-2250**

(Select from model number and options list on next page)

The lavatory deck shall be constructed of Aquasurf® molded cast polymer densified solid surface material composed of polyester/acrylic resin, UV stabilizer, aluminum trihydrate, and mineral fillers. The Aquasurf® solid surface material is resistant to stains, impact and burns. Surface damage can be easily repaired with everyday cleansers and/or fine grit abrasives.

AquaDeck lavatory deck shall be a modular cast component with standard integral features:

- 6" Radius front corners with matched front and side aprons
- Oval bowl with soap/faucet ledge
- 4" covered backsplash
- All square-eased front edges
- Basin overflow
- Drain hole for 1-1/4" pop-up drain

Mounting:

Unit is designed to be supported by in-wall carriers (supplied by others). Optional stainless steel wall mounting brackets are available; specify left or right brackets when ordering.

ADA, TAS and ANSI Compliant:

When the lavatory deck is mounted at the standard 34" adult rim height, it complies with applicable ADA, TAS, and ANSI Z124.3 and Z124.6 accessibility guidelines.

Optional Features:

AquaDeck lavatory decks offer liquid soap dispensers as optional accessories.

AquaDeck lavatory decks can be ordered with Bullnosed or Beveled front edge styles instead of standard square-eased edges and/or 31" rim heights for juvenile use (JR).

visit our website at www.willoughby-ind.com

5105 West 78th Street • Indianapolis, IN. 46268

(317) 875-0830 • Fax: (317) 875-0837 • (800) 428-4065



MADE IN THE U.S.A.

MODEL NUMBER AND OPTIONS:

1.) Lavatory Model:

- WAD-2250 AquaDeck 2250 Series, Radiused Front, Solid Surface Lavatory Deck

2.) Number of Wash Stations:

- 1 2 3 4

3.) Hole Drilling Selection (Faucet by Others):

- NV No Faucet Holes (Standard)
 4CC 4" Centerset, Ø1" Holes (Specify 2 or 3 holes: ___)
 8CC 8" Centerset, Ø1" Holes (Specify 2 or 3 holes: ___)
 1CC Center Shank, (1) Ø1" Hole
 SP Special Drilling (Specify hole drilling dim.)
 SP: _____

4.) Solid Surface Colors:

- BN Bone
 GW Glacier White
 GG Gray Granite
 SS Sandstone
 WG White Granite
 BG Black Granite
 NB Nocturnal Blue
 RC Red Coral
 SG Sea Green

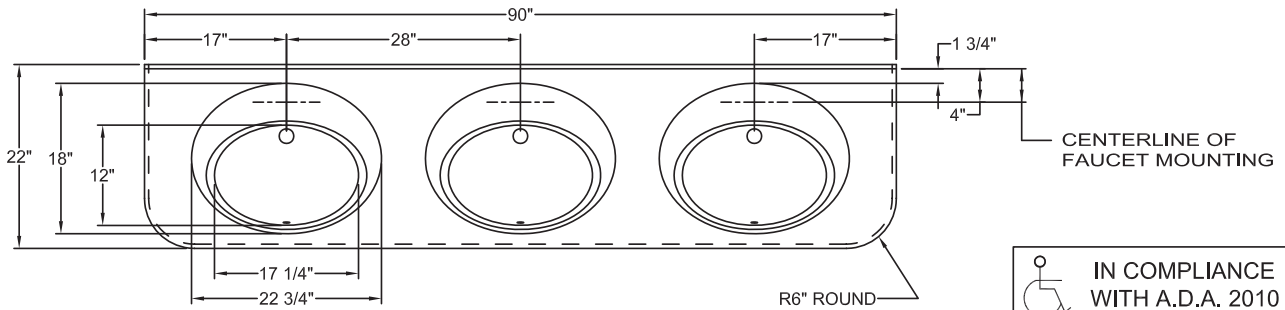
5.) Edge Style:

- Square-eased Front Edge (Standard)
 BLN Bullnosed
 BV Beveled

6.) Options:

- LSDM Liquid Soap Dispensers- Deck-mounted Spout and Bottle
 JR Junior Height, 31" Rim Height (JR. ADA Compliant)
 WADSS-BRKT-R Wall Mounting Bracket- Right
 WADSS-BRKT-L Wall Mounting Bracket- Left
 WADSS-0422R Right Side Splash
 WADSS-0422L Left Side Splash
 WAD-APIS-422R Integral Right Side Apron
 WAD-APIS-422L Integral Left Side Apron
 W-SS-DS Stainless Steel Modular Drain Shroud
 Other _____
 Other _____

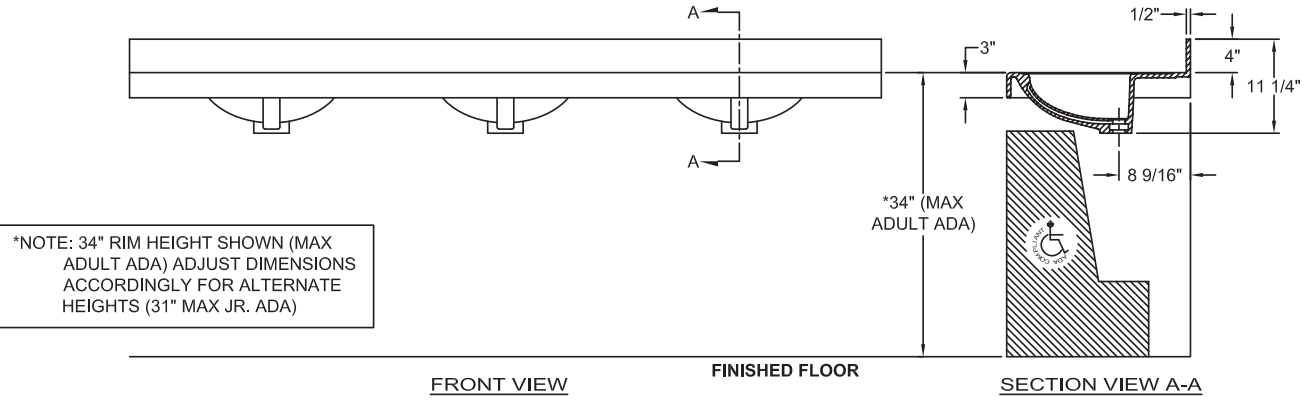
Approved For Manufacturing By: _____ Date: _____ Company: _____
 Wall Thickness: _____ Wall Type: _____



PLAN VIEW



VERIFY ALL DIMENSIONS WITH FACTORY PRIOR TO ROUGH-IN
 WILLOUGHBY RESERVES THE RIGHT TO MAKE CHANGES IN DESIGN AND DIMENSIONS WITHOUT FORMAL NOTICE AND WITHOUT INCURRING OBLIGATION.



FRONT VIEW

FINISHED FLOOR

SECTION VIEW A-A

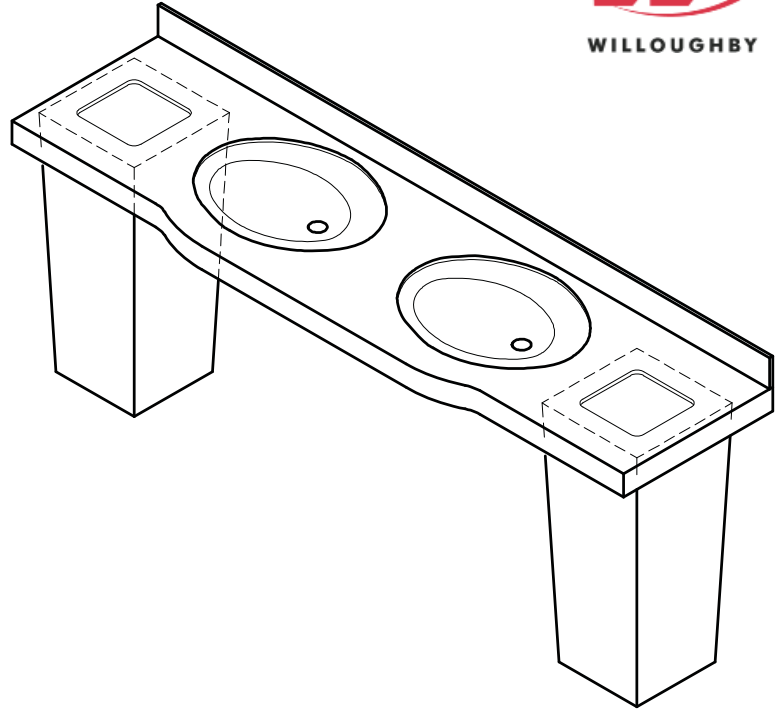
*NOTE: 34" RIM HEIGHT SHOWN (MAX ADULT ADA) ADJUST DIMENSIONS ACCORDINGLY FOR ALTERNATE HEIGHTS (31" MAX JR. ADA)

visit our website at www.willoughby-ind.com
 5105 West 78th Street • Indianapolis, IN. 46268
 (317) 875-0830 • Fax: (317) 875-0837 • (800) 428-4065



MADE IN THE U.S.A.

AquaDeck 2260 Series Contoured Front Solid Surface Lavatory Deck



(Unit may be shown with optional features)



**IN COMPLIANCE
WITH A.D.A. 2010**

To specify fixture and accessories, use the Model Number and Options Guide.

Example: To specify an AquaDeck 2260 Series, Contoured Front, Solid Surface Lavatory Deck with the trash receptacle design option, no faucet holes (standard), Sea Green color, bullnose front edge, and right and left integral side aprons

Use the following Willoughby Model Number:
WAD-2260-2-W-SS-TR-NV-SG-BLN-WAD-APIS-422R-WAD-APIS-422L

Recommended Specifications

AquaDeck 2260 Series, Contoured Front, Solid Surface Lavatory Deck shall be:
Willoughby Model No. **WAD-2260**
(Select from model number and options list on next page)

The lavatory deck shall be constructed of Aquasurf® molded cast polymer densified solid surface material composed of polyester/acrylic resin, UV stabilizer, aluminum trihydrate, and mineral fillers. The Aquasurf® solid surface material is resistant to stains, impact and burns. Surface damage can be easily repaired with everyday cleansers and/or fine grit abrasives.

AquaDeck lavatory deck shall be a modular cast component with standard integral features:

- Contoured front apron
- Oval bowl with soap/faucet ledge
- 4" coved backsplash
- All square-eased front edges
- Basin overflow
- Drain hole for 1-1/4" pop-up drain

Mounting:

Unit is designed to be supported by in-wall carriers (supplied by others). Optional stainless steel wall mounting brackets are available; specify left or right brackets when ordering.

ADA, TAS, and ANSI Compliant:

When the lavatory deck is mounted at the standard 34" adult rim height, it complies with applicable ADA, TAS, and ANSI Z124.3 and Z124.6 accessibility guidelines.

Optional Features:

The AquaDeck WAD-2260 (W-SS-TR) Waste Receptacle Design option (shown above) adds (2) stainless steel waste receptacles and (15") deck extensions with waste cut-outs to both sides of the lavatory deck. Cut-outs are positioned to provide ease of waste disposal into the receptacles below.

AquaDeck lavatory decks offer liquid soap dispensers as optional accessories.

AquaDeck lavatory decks can be ordered with Bullnosed or Beveled front edge styles instead of standard square-eased edges and/or 31" rim heights for juvenile use (JR).

visit our website at www.willoughby-ind.com
5105 West 78th Street • Indianapolis, IN. 46268
(317) 875-0830 • Fax: (317) 875-0837 • (800) 428-4065



MADE IN THE U.S.A.

MODEL NUMBER AND OPTIONS:

1.) Lavatory Model:

- WAD-2260 AquaDeck 2260 Series, Contoured Front, Solid Surface Lavatory Deck

2.) Number of Wash Stations:

- 1 2

3.) Waste Receptacle Design Option (WAD-2260 only):

- W-SS-TR (2) Stainless Steel Waste Receptacles (Option adds (15") deck extensions to both sides of the deck)

4.) Hole Drilling Selection (Faucet by Others):

- NV No Faucet Holes (Standard)
 4CC 4" Centerset, Ø1" Holes (Specify 2 or 3 holes: ___)
 8CC 8" Centerset, Ø1" Holes (Specify 2 or 3 holes: ___)
 1CC Center Shank, (1) Ø1" Hole
 SP Special Drilling (Specify hole drilling dim.)
 SP: _____

5.) Solid Surface Colors:

- BN Bone
 GW Glacier White
 GG Gray Granite
 SS Sandstone
 WG White Granite
 BG Black Granite
 NB Nocturnal Blue
 RC Red Coral
 SG Sea Green

6.) Edge Style:

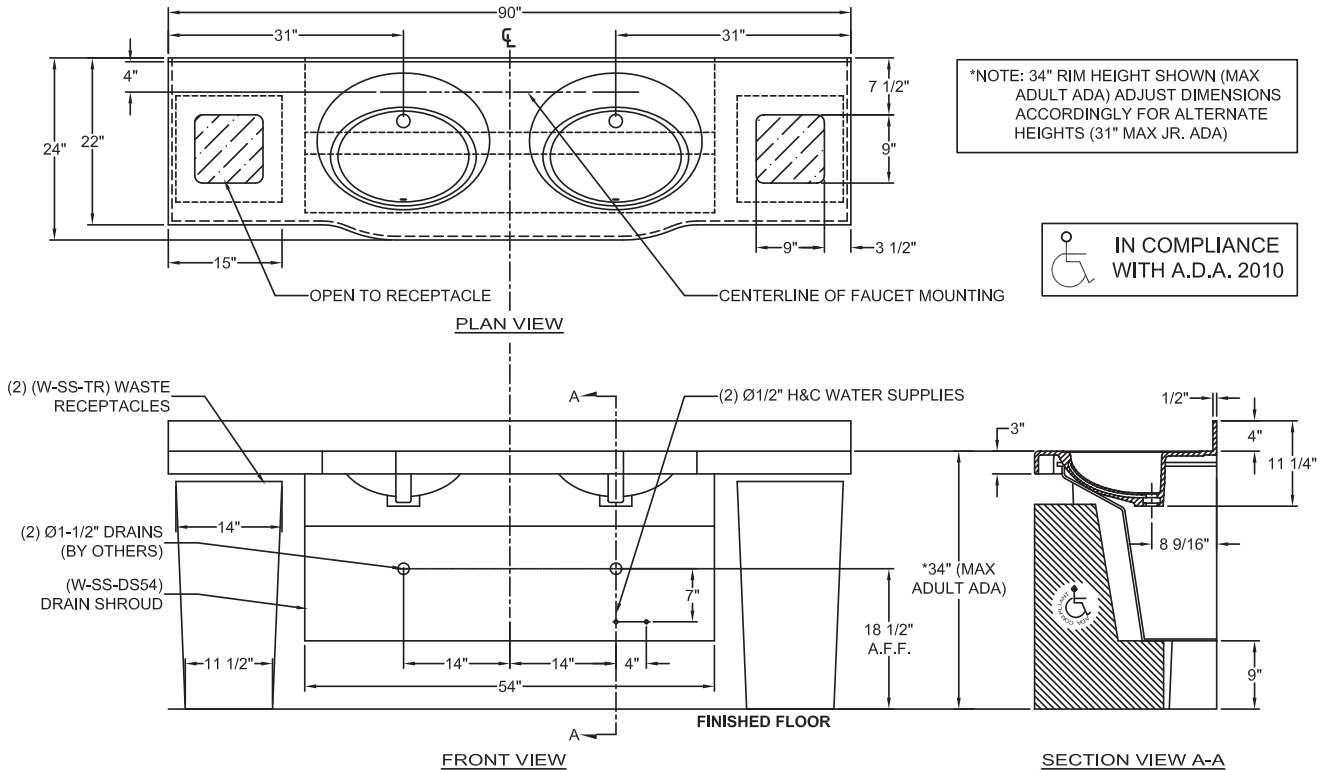
- Square-eased Front Edge (Standard)
 BLN Bullnosed
 BV Beveled

7.) Options:

- LSDM Liquid Soap Dispensers- Deck-mounted Spout and Bottle
 JR Junior Height, 31" Rim Height (JR. ADA Compliant)
 WADSS-BRKT-R Wall Mounting Bracket- Right
 WADSS-BRKT-L Wall Mounting Bracket- Left
 WADSS-0422R Right Side Splash
 WADSS-0422L Left Side Splash
 WAD-APIS-422R Integral Right Side Apron
 WAD-APIS-422L Integral Left Side Apron
 W-SS-DS54 54" Stainless Steel Modular Drain Shroud
 Other _____
 Other _____

Approved For Manufacturing By: _____ Date: _____ Company: _____
 Wall Thickness: _____ Wall Type: _____

VERIFY ALL DIMENSIONS WITH FACTORY PRIOR TO ROUGH-IN
 WILLOUGHBY RESERVES THE RIGHT TO MAKE CHANGES IN DESIGN AND DIMENSIONS WITHOUT FORMAL NOTICE AND WITHOUT INCURRING OBLIGATION.

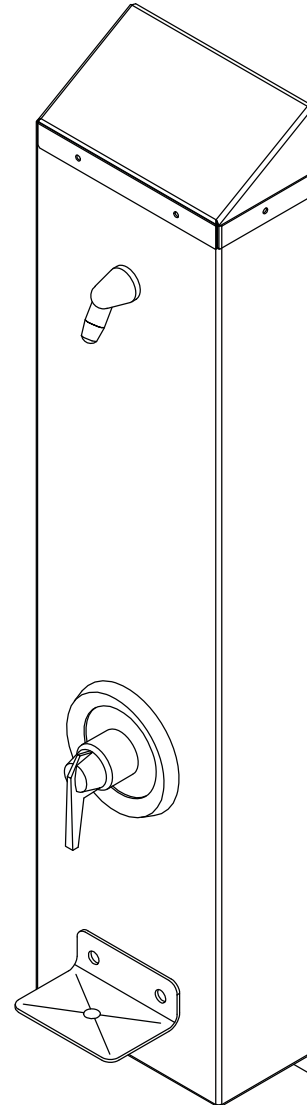


visit our website at www.willoughby-ind.com
 5105 West 78th Street • Indianapolis, IN. 46268
 (317) 875-0830 • Fax: (317) 875-0837 • (800) 428-4065



MADE IN THE U.S.A.

CWSMS Series Surface Mounted Wall Shower



Recommended Specifications

Surface Mounted Wall Shower shall be:
Willoughby Model No. **CWSMS**
(Select from model number and options list on next page)

Shower panel shall be fabricated from 18 gauge, Type 304 stainless steel with exposed stainless surfaces polished to a #4 satin finish. Sloped top panel and bottom panel are riveted onto the wall shower.

Standard equipment shall include:

- Shower valves (from Valve Selection options list)
- Shower head (from Shower Head Selection options list)
- Z-clip mounting bracket

Anchoring shall be by Z-clip and bottom flange with anchoring hardware by others. Shower unit shall be factory assembled, tested for proper operation, and ready for installation by a contractor. Unit requires no chase area for installation and maintenance.

(Unit may be shown with optional features)

To specify fixture and accessories, use the Model Number and Options page.

Example: To specify a Surface Mounted Wall Shower with temp./pressure-balancing mixing valve, standard 2.5 GPM flow rate, APS adjustable vandal-resistant shower head, and surface mounted soap dish

Use the following Willoughby Model Number:

CWSMS-TPV-2.5-APS-SD

visit our website at www.willoughby-ind.com

5105 West 78th Street • Indianapolis, IN. 46268
(317) 875-0830 • Fax: (317) 875-0837 • (800) 428-4065



MADE IN THE U.S.A.

MODEL NUMBER AND OPTIONS:

1.) Base Model Number:

CWSMS Surface Mounted Wall Shower

5.) Electronic Control* (Must Use Electronic Push Button):

WUSC-2200 WUSC-2400 Pneutronic

2.) Valve Selection:

- NV No Valve
- PML1 Single Temp. Pneumatic Metering
- PML2 Dual Temp. Pneumatic Metering
- E1L1 Single Temp. Electronic (w/ Pneutronic Control)*
- E1L2 Dual Temp. Electronic (w/ Pneutronic Control)*
- PBV Pressure-Balancing Mixing Valve
- TPV Temperature/Pressure-Balancing Mixing Valve
- TPLR Ligature-resistant Temperature/Pressure-Balancing Mixing Valve
- SVC Single Temp. Compression Valve
- DVC Dual Temp. Compression Valves

6.) Shower Head Selection:

- APS Adjustable Vandal-resistant Shower Head
- NPS Non-Adjustable Vandal-resistant Shower Head
- UBJ Universal Ball Joint Shower Head
- LBJ Lockable Ball Joint Shower Head
- CSH Ligature-resistant Shower Head

3.) Push Button Selection:

Pneumatic or Electronic Valves Only:

- PPB Pneumatic Push Buttons
- PBH Ligature-resistant Pneumatic Push Buttons
- EPB Electronic Push Buttons*
- EPBH Ligature-resistant Electronic Push Buttons*
- PZPB Piezo Electronic Push Buttons*

7.) Other Options:

- TF24H Hard-wired Transformer, 110VAC to 24VAC* (Standard)
- TF24P Plug-in Transformer, 110VAC to 24VAC*
- TMV Inline Thermostatic Mixing Valve
- SD Surface Mounted Soap Dish
- RD Recessed Mounted Soap Dish
- GB Grab Bar (Wall Mounted, Specify Dimensions): _____

PS Pipe Shroud (Specify Length): _____
 (Pipe Shroud option changes Riveted Sloped Top to Flat Top)

Other _____
 Other _____

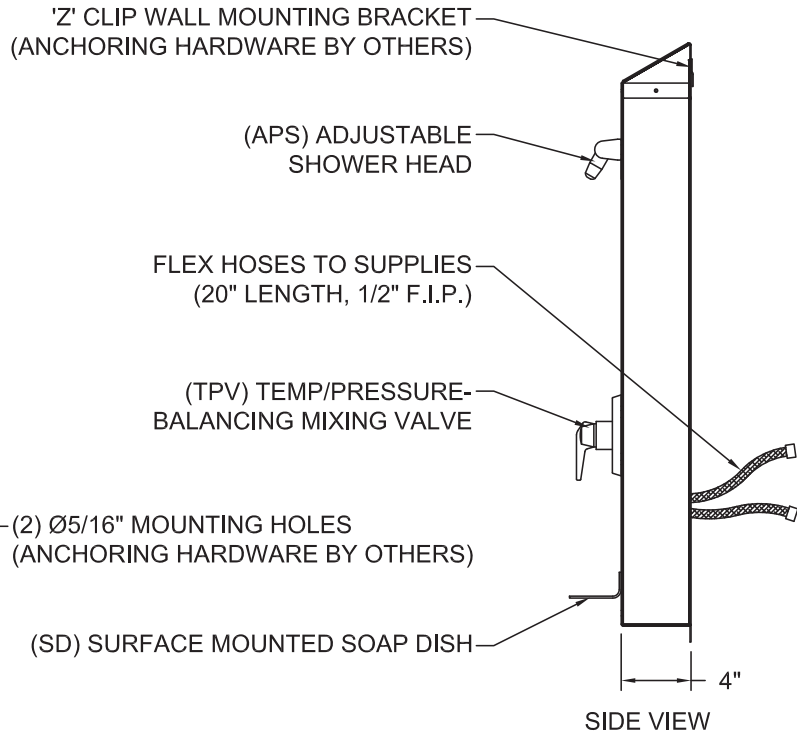
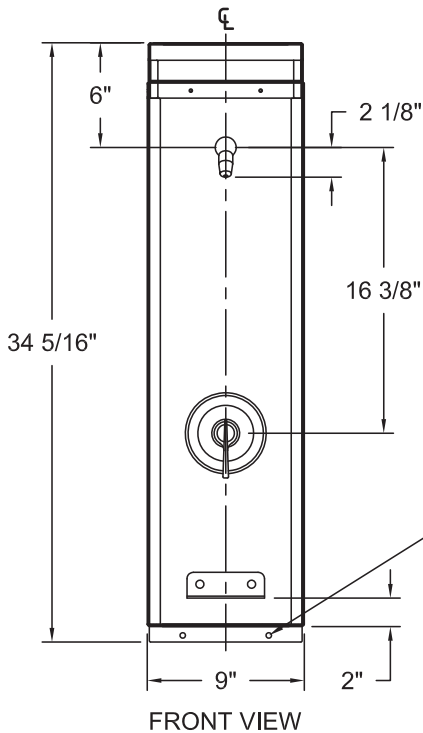
* (Req. 110V power through ground fault interrupter (GFCI) receptacle)

4.) Flow Rates:

2.5 GPM (Standard) 2.0 GPM 1.5 GPM

Approved For Manufacturing By: _____ Date: _____ Company: _____
 Wall Thickness: _____ Wall Type: _____

VERIFY ALL DIMENSIONS WITH FACTORY PRIOR TO ROUGH-IN
 WILLOUGHBY RESERVES THE RIGHT TO MAKE CHANGES IN DESIGN AND DIMENSIONS WITHOUT FORMAL NOTICE AND WITHOUT INCURRING OBLIGATION.



visit our website at www.willoughby-ind.com
 5105 West 78th Street • Indianapolis, IN. 46268
 (317) 875-0830 • Fax: (317) 875-0837 • (800) 428-4065



MADE IN THE U.S.A.

CWSMS-HCA Series Handicap Accessible Surface Mounted Wall Shower



Recommended Specifications

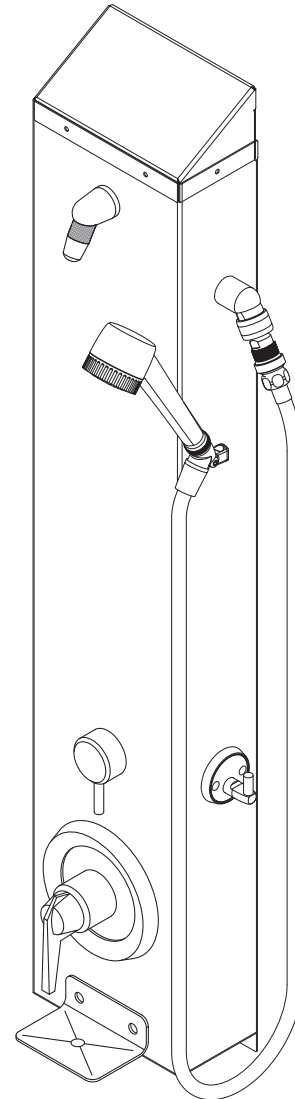
Handicap Accessible, Surface Mounted Wall Shower shall be: Willoughby Model No. **CWSMS-HCA**
(Select from model number and options list on next page)

Shower panel shall be fabricated from 18 gauge, Type 304 stainless steel with exposed stainless surfaces polished to a #4 satin finish. Sloped top panel and bottom panel are riveted onto the wall shower.

Standard equipment shall include:

- Shower valves (from Valve Selection options list)
- Shower heads (from Shower Head Selection options list)
- Z-clip mounting bracket

Anchoring shall be by Z-clip and bottom flange with anchoring hardware by others. Shower unit shall be factory assembled, tested for proper operation, and ready for installation by a contractor. Unit requires no chase area for installation and maintenance.



(Unit may be shown with optional features)

To specify fixture and accessories, use the Model Number and Options page.

Example: To specify a Handicap Accessible, Surface Mounted Wall Shower with temp./pressure-balancing mixing valve, diverter valve, standard 2.5 GPM flow rate, APS and FX shower heads, and surface mounted soap dish

Use the following Willoughby Model Number:

CWSMS-HCA-TPV-DV-2.5-APS-FX-SD

Handicap Accessible:

The CWSMS-HCA will conform to most, but not all, ADA requirements; for complete ADA Compliance, see Model No. CWSMS-ADA-WH.

(Compliance shall be subject to the requirements of the local code authority based on installation-specific details and is the responsibility of the installer.)

MODEL NUMBER AND OPTIONS:

1.) Base Model Number:

- CWSMS-HCA Handicap Accessible, Surface Mounted Wall Shower

2.) Valve Selection:

- NV No Valve
 PML1 Single Temp. Pneumatic Metering
 PML2 Dual Temp. Pneumatic Metering
 E1L1 Single Temp. Electronic (w/ Pneutronic Control)*
 E1L2 Dual Temp. Electronic (w/ Pneutronic Control)*
 PBV Pressure-Balancing Mixing Valve
 TPV Temperature Pressure-Balancing Mixing Valve
 TPLR Ligature-resistant Temperature/Pressure-Balancing Mixing Valve
 SVC Single Temp. Compression Valve
 DVC Dual Temp. Compression Valves

3.) Diverter Valve:

- DV Diverter Valve
 DVLR Ligature-resistant Diverter Valve
 PML1-MA2 Two Single Temp. Pneumatic Metering Valves
 (Used to divert water flow to either upper, lower, or both shower heads; for use with Mixing Valve options above)

4.) Push Button Selection:

Pneumatic or Electronic Valves Only:

- PPB Pneumatic Push Buttons
 PBH Ligature-resistant Pneumatic Push Buttons
 EPB Electronic Push Buttons*
 EPBH Ligature-resistant Electronic Push Buttons*
 PZPB Piezo Electronic Push Buttons*

5.) Flow Rates:

- 2.5 GPM (Standard) 2.0 GPM 1.5 GPM

6.) Electronic Control* (Must Use Electronic Push Button):

- WUSC-2200 WUSC-2400 Pneutronic

7.) Shower Head Selection:

- APS Adjustable Vandal-resistant Shower Head
 NPS Non-Adjustable Vandal-resistant Shower Head
 UBJ Universal Ball Joint Shower Head
 LBJ Lockable Ball Joint Shower Head
 CSH Ligature-resistant Shower Head
 FX Hand-held Flexshower Head (w/ quick disconnect, vacuum breaker, and (1) hook)

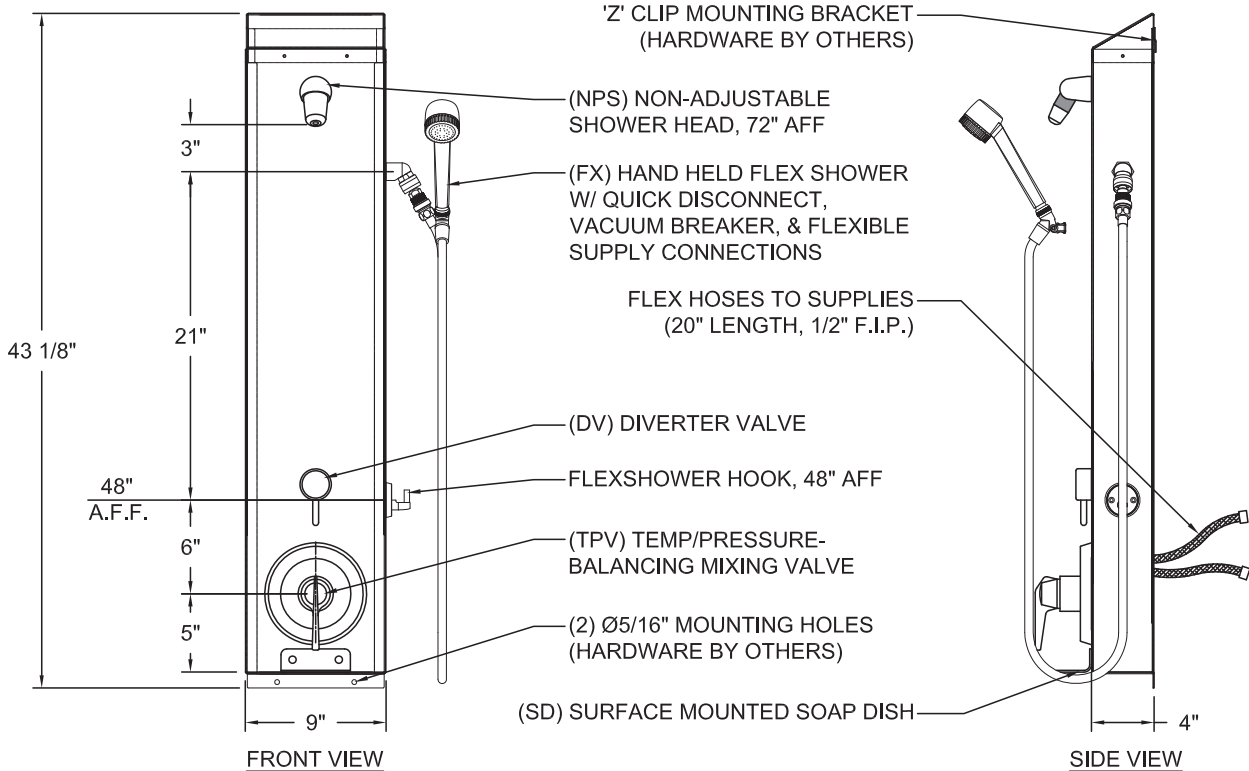
8.) Other Options:

- TF24H Hard-wired Transformer, 110VAC to 24VAC* (Standard)
 TF24P Plug-in Transformer, 110VAC to 24VAC*
 TMV Inline Thermostatic Mixing Valve
 HL Hi-Lo (2 Hooks For Flexshower)
 SLB24 24" Adjustable Slide Bar (for Flexshower)
 SD Surface Mounted Soap Dish
 RD Recessed Mounted Soap Dish (Extends housing 5" and will interfere with grab bar installation)
 GB Grab Bar (Wall Mounted, Specify Dimensions): _____
 PS Pipe Shroud (Specify Length): _____
 (Pipe Shroud option changes Riveted Sloped Top to Flat Top)
 Other _____
 Other _____

* (Req. 110V power through ground fault interrupter (GFCI) receptacle)

Approved For Manufacturing By: _____ Date: _____ Company: _____
 Wall Thickness: _____ Wall Type: _____

VERIFY ALL DIMENSIONS WITH FACTORY PRIOR TO ROUGH-IN
 WILLOUGHBY RESERVES THE RIGHT TO MAKE CHANGES IN DESIGN AND DIMENSIONS WITHOUT FORMAL NOTICE AND WITHOUT INCURRING OBLIGATION.



visit our website at www.willoughby-ind.com

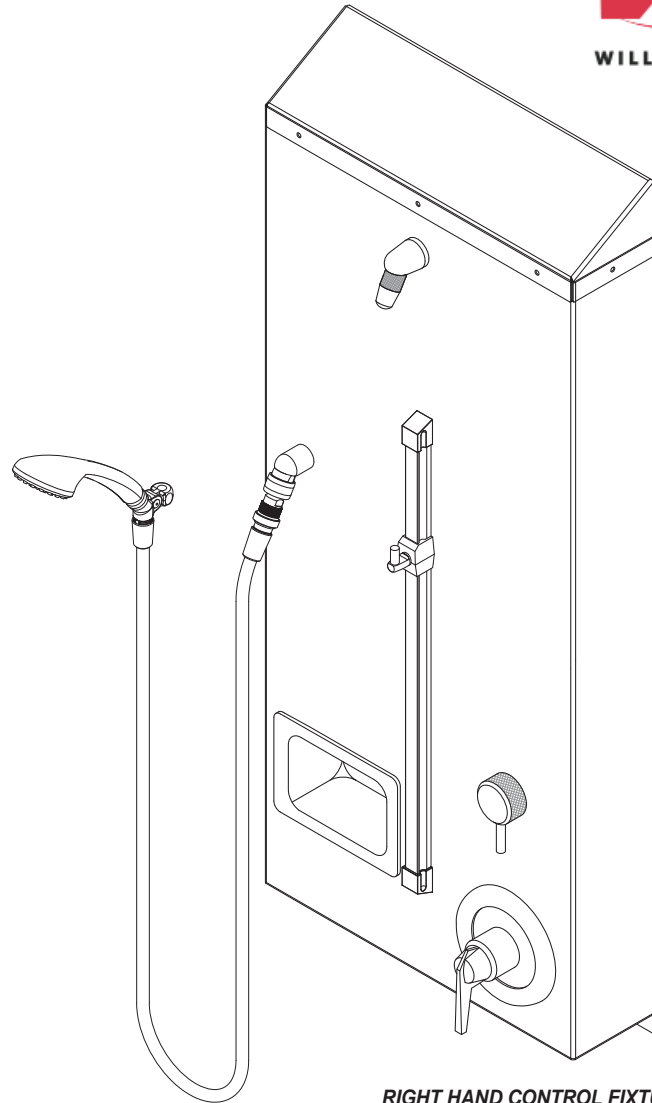
5105 West 78th Street • Indianapolis, IN. 46268

(317) 875-0830 • Fax: (317) 875-0837 • (800) 428-4065



MADE IN THE U.S.A.

CWSMS-HCA-WH Series Wide Housing Handicap Accessible Surface Mounted Wall Shower



**RIGHT HAND CONTROL FIXTURE SHOWN
(Unit may be shown with optional features)**

Recommended Specifications

Wide Housing, Handicap Accessible, Surface Mounted Wall Shower shall be:

Willoughby Model No. **CWSMS-HCA-WH**

(Select from model number and options list on next page)

Shower panel shall be fabricated from 18 gauge, Type 304 stainless steel with exposed stainless surfaces polished to a #4 satin finish. Sloped top panel and bottom panel are riveted onto the wall shower.

Standard equipment shall include:

- Shower valves (from Valve Selection options list)
- Shower heads (from Shower Head Selection options list)
- Z-clip mounting bracket

Anchoring shall be by Z-clip and bottom flange with anchoring hardware by others. Shower unit shall be factory assembled, tested for proper operation, and ready for installation by a contractor. Unit requires no chase area for installation and maintenance.

To specify fixture and accessories, use the Model Number and Options page.

Example: To specify a Wide Housing, Handicap Accessible, Surface Mounted Wall Shower with Right Hand controls, temp/pressure-balancing valve, diverter valve, 2.0 GPM flow rate, APS and FX shower heads, 24" Flexshower slide bar, and recessed soap dish

Use the following Willoughby Model Number:

CWSMS-HCA-WH-R-TPV-DV-2.0-APS-FX-SLB24-RD

Handicap Accessible:

The CWSMS-HCA-WH will conform to most, but not all, ADA requirements; for complete ADA Compliance, see Model No. CWSMS-ADA-WH.

(Compliance shall be subject to the requirements of the local code authority based on installation-specific details and is the responsibility of the installer.)

visit our website at www.willoughby-ind.com

5105 West 78th Street • Indianapolis, IN. 46268

(317) 875-0830 • Fax: (317) 875-0837 • (800) 428-4065



MADE IN THE U.S.A.

MODEL NUMBER AND OPTIONS:

1.) Base Model Number:

- CWSMS-HCA-WH Wide Housing, Handicap Accessible, Surface Mounted Wall Shower

2.) Panel Orientation (Must Specify):

- L Left Hand Controls
 R Right Hand Controls

3.) Valve Selection:

- NV No Valve
 PML1 Single Temp. Pneumatic Metering
 PML2 Dual Temp. Pneumatic Metering
 E1L1 Single Temp. Electronic (w/ Pneumatic Control)*
 E1L2 Dual Temp. Electronic (w/ Pneumatic Control)*
 PBV Pressure-Balancing Mixing Valve
 TPV Temp/Pressure-Balancing Mixing Valve
 TPLR Ligature-resistant Temperature/Pressure-Balancing Mixing Valve
 SVC Single Temp. Compression Valve
 DVC Dual Temp. Compression Valves

4.) Diverter Valve:

- DV Diverter Valve
 DVLR Ligature-resistant Diverter Valve
 PML1-MA2 Two Single Temp. Pneumatic Metering Valves (Used to divert water flow to either upper, lower, or both shower heads; for use with Mixing Valve options above)

5.) Push Button Selection:

Pneumatic or Electronic Valves Only:

- PPB Pneumatic Push Buttons
 PBH Ligature-resistant Pneumatic Push Buttons
 EPB Electronic Push Buttons*
 EPBH Ligature-resistant Electronic Push Buttons*
 PZPB Piezo Electronic Push Buttons*

6.) Flow Rates:

- 2.5 GPM (Standard) 2.0 GPM 1.5 GPM

7.) Electronic Control* (Must Use Electronic Push Button):

- WUSC-2200 WUSC-2400 Pneumatic

8.) Shower Head Selection:

- APS Adjustable Vandal-resistant Shower Head
 NPS Non-Adjustable Vandal-resistant Shower Head
 UBJ Universal Ball Joint Shower Head
 LBJ Lockable Ball Joint Shower Head
 CSH Ligature-resistant Shower Head
 FX Hand-held Flexshower Head (w/ quick disconnect, vacuum breaker, and (1) hook)
 2HD Dual Fixed Shower Heads (replaces (FX) Flexshower head w/ second of the selected fixed Shower Head)

9.) Optional Shower Seat:

- FSSL Left Hand Stainless Steel Folding Shower Seat
 FSSR Right Hand Stainless Steel Folding Shower Seat
 PFSSL Left Hand Padded Stainless Steel Folding Shower Seat
 PFSSR Right Hand Padded Stainless Steel Folding Shower Seat
 PHSSL Left Hand Phenolic Folding Shower Seat
 PHSSR Right Hand Phenolic Folding Shower Seat

10.) Other Options:

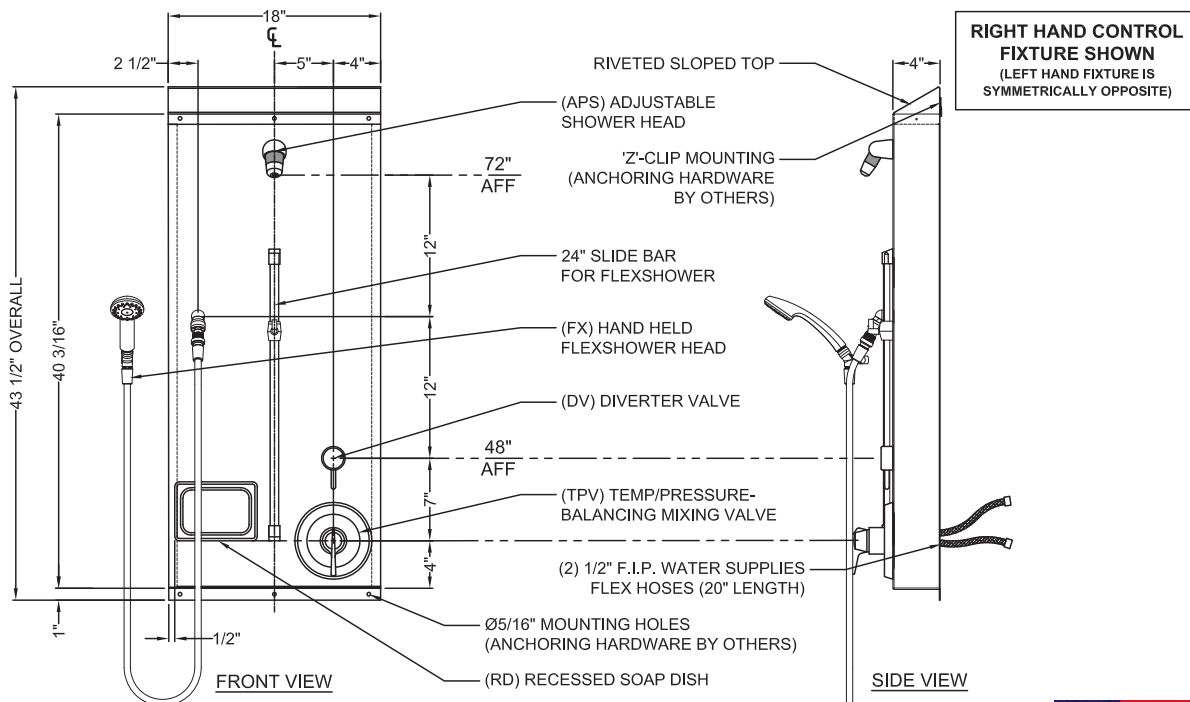
- TF24H Hard-wired Transformer, 110VAC to 24VAC* (Standard)
 TF24P Plug-in Transformer, 110VAC to 24VAC*
 TMV Inline Thermostatic Mixing Valve
 HL Hi-Lo (2 Hooks For Flexshower)
 SLB24 24" Adjustable Slide Bar (for Flexshower)
 SD Surface Mounted Soap Dish
 RD Recessed Mounted Soap Dish
 CR Curtain Rod
 SC Shower Curtain
 GB Grab Bar (Wall Mounted, Specify Dimensions): _____
 PS Pipe Shroud (Specify Length): _____
 (Pipe Shroud option changes Riveted Sloped Top to Flat Top)

Other _____

*(Req. 110V power through ground fault interrupter (GFCI) receptacle)

Approved For Manufacturing By: _____ Date: _____ Company: _____
 Wall Thickness: _____ Wall Type: _____

VERIFY ALL DIMENSIONS WITH FACTORY PRIOR TO ROUGH-IN
 WILLOUGHBY RESERVES THE RIGHT TO MAKE CHANGES IN DESIGN AND DIMENSIONS WITHOUT FORMAL NOTICE AND WITHOUT INCURRING OBLIGATION.



visit our website at www.willoughby-ind.com

5105 West 78th Street • Indianapolis, IN. 46268

(317) 875-0830 • Fax: (317) 875-0837 • (800) 428-4065



MADE IN THE U.S.A.

CWSMS-ADA Series ADA-Compliant Surface Mounted Wall Shower



Recommended Specifications

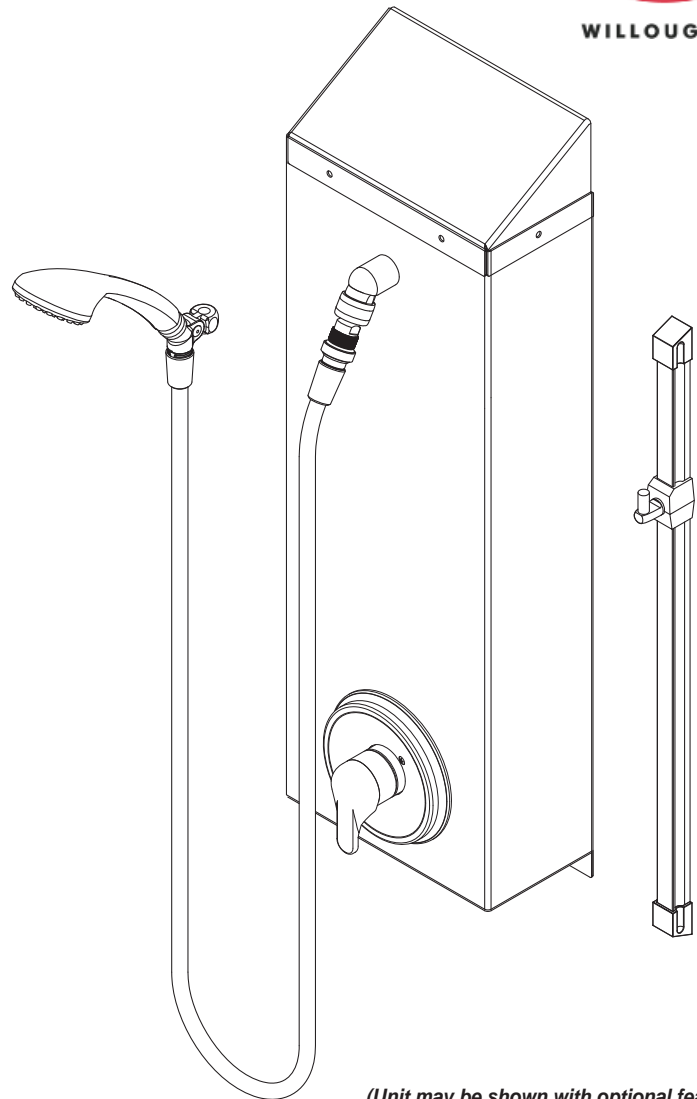
ADA-Compliant, Surface Mounted Wall Shower shall be:
Willoughby Model No. **CWSMS-ADA**
(Select from model number and options list on next page)

Shower panel shall be fabricated from 18 gauge, Type 304 stainless steel with exposed stainless surfaces polished to a #4 satin finish. Sloped top panel and bottom panel are riveted onto the wall shower.

Standard equipment shall include:

- Shower valves (from Valve Selection options list)
- (FX) Hand Held Flexshower head
- (SLB24) 24" Adjustable Slide Bar (for Flexshower)
- Z-clip mounting bracket

Anchoring shall be by Z-clip and bottom flange with anchoring hardware by others. Shower unit shall be factory assembled, tested for proper operation, and ready for installation by a contractor. Unit requires no chase area for installation and maintenance.



(Unit may be shown with optional features)

To specify fixture and accessories, use the Model Number and Options page.
Example: To specify an ADA-Compliant, Surface Mounted Wall Shower with pressure-balancing valve, 2.5 GPM flow rate, standard FX Flexshower head, and standard 24" Flexshower slide bar
Use the following Willoughby Model Number:
CWSMS-ADA-TPV-2.5-FX-SLB24

visit our website at www.willoughby-ind.com

5105 West 78th Street • Indianapolis, IN. 46268
(317) 875-0830 • Fax: (317) 875-0837 • (800) 428-4065



MADE IN THE U.S.A.

MODEL NUMBER AND OPTIONS:

1.) Base Model Number:

CWSMS-ADA ADA-Compliant, Surface Mounted Wall Shower

2.) Valve Selection:

- NV No Valve
- PML1 Single Temp. Pneumatic Metering
- E1L1 Single Temp. Electronic (w/ Pneutronic Control)*
- PBV Pressure-Balancing Mixing Valve
- TPV Temperature/Pressure-Balancing Mixing Valve
- TPLR Ligature-resistant Temperature/Pressure-Balancing Mixing Valve

3.) Push Button Selection:

Pneumatic or Electronic Valves Only:

- PPB Pneumatic Push Buttons
- PBH Ligature-resistant Pneumatic Push Buttons
- EPB Electronic Push Buttons*
- EPBH Ligature-resistant Electronic Push Buttons*
- PZPB Piezo Electronic Push Buttons*

4.) Flow Rates:

2.5 GPM (Standard) 2.0 GPM 1.5 GPM

5.) Electronic Control* (Must Use Electronic Push Button):

WUSC-2200 WUSC-2400 Pneutronic

6.) Shower Head Selection:

FX Hand-held Flexshower Head (w/ quick disconnect and vacuum breaker)

7.) Other Options:

- TF24H Hard-wired Transformer, 110VAC to 24VAC* (Standard)
- TF24P Plug-in Transformer, 110VAC to 24VAC*
- TMV Inline Thermostatic Mixing Valve
- HL Hi-Lo (2 Hooks For Flexshower)
- SLB24 24" Adjustable Slide Bar (for Flexshower, Standard)
- GB Grab Bar (Wall Mounted, Specify Dimensions): _____

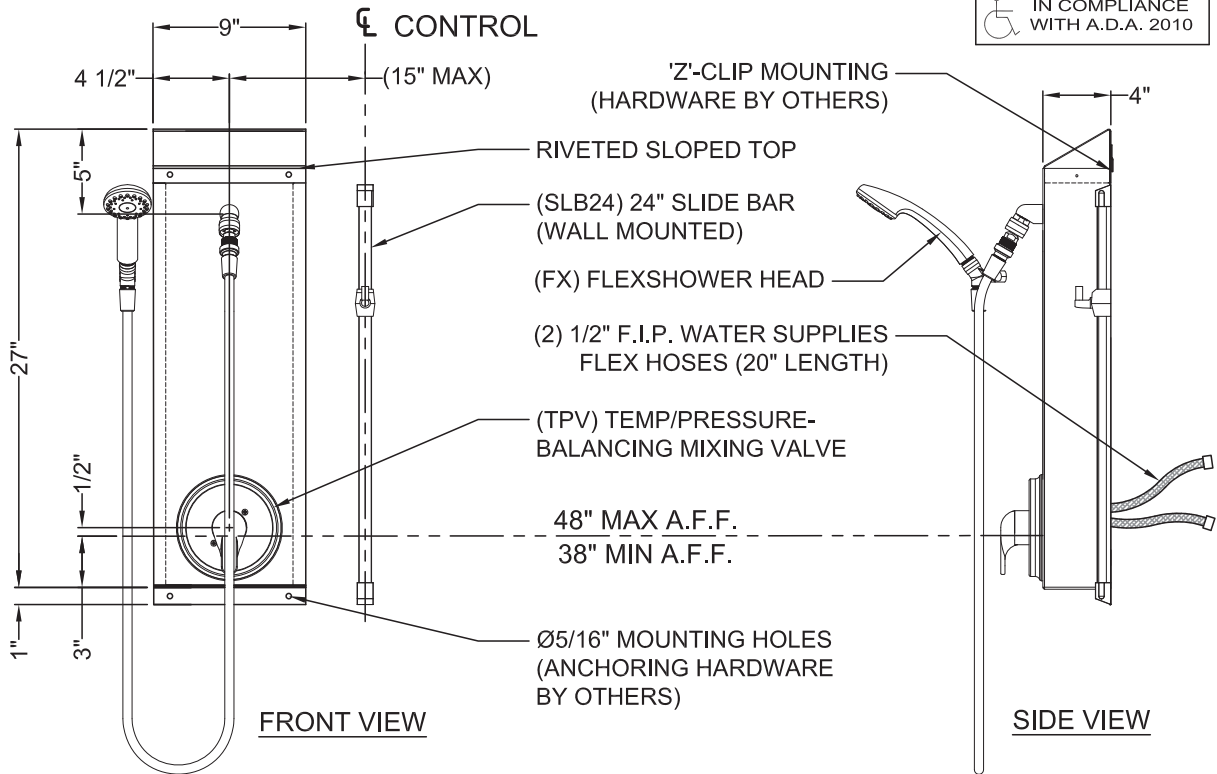
PS Pipe Shroud (Specify Length): _____
(Pipe Shroud option changes Riveted Sloped Top to Flat Top)

Other _____

Other _____
*(Req. 110V power through ground fault interrupter (GFCI) receptacle)

Approved For Manufacturing By: _____ Date: _____ Company: _____
Wall Thickness: _____ Wall Type: _____

VERIFY ALL DIMENSIONS WITH FACTORY PRIOR TO ROUGH-IN
 WILLOUGHBY RESERVES THE RIGHT TO MAKE CHANGES IN DESIGN AND DIMENSIONS WITHOUT FORMAL NOTICE AND WITHOUT INCURRING OBLIGATION.



visit our website at www.willoughby-ind.com
 5105 West 78th Street • Indianapolis, IN. 46268
 (317) 875-0830 • Fax: (317) 875-0837 • (800) 428-4065



MADE IN THE U.S.A.

CWSMS-ADA-WH Series Wide Housing ADA-Compliant Surface Mounted Wall Shower



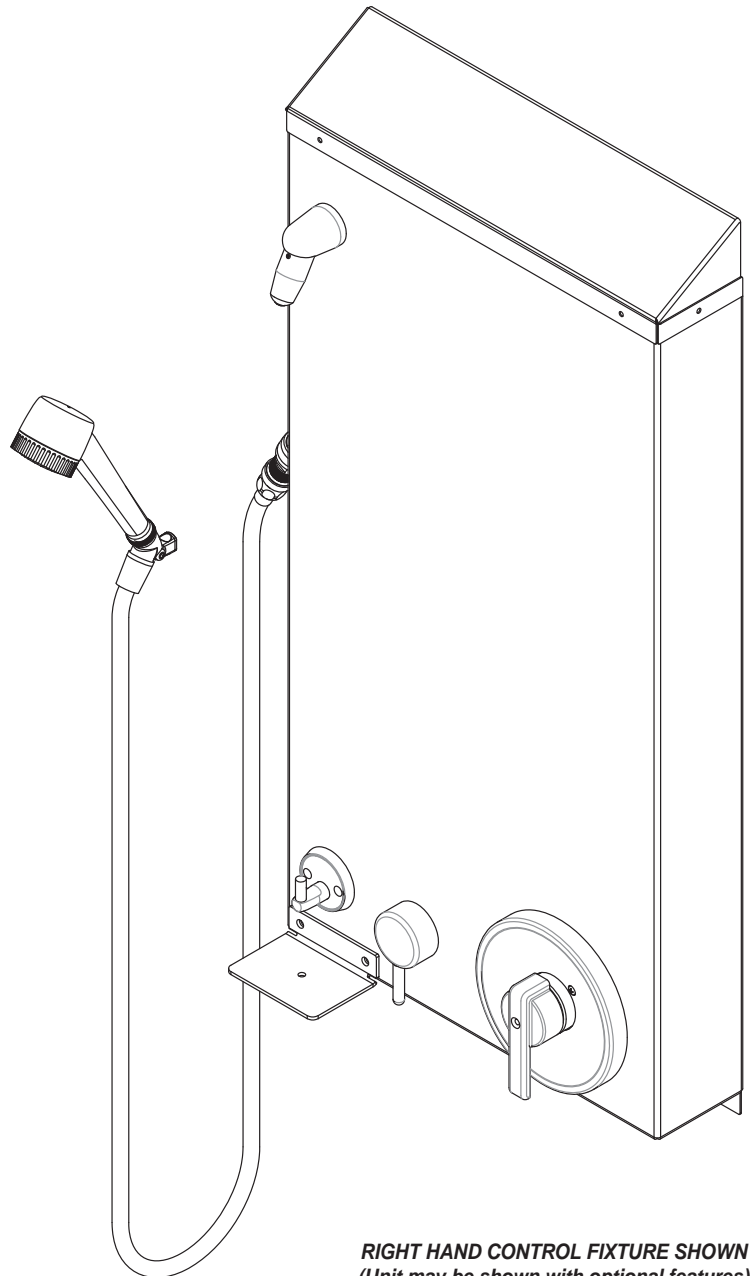
Recommended Specifications

Wide Housing, ADA-Compliant, Surface Mounted Wall Shower shall be:
Willoughby Model No. **CWSMS-ADA-WH**
(Select from model number and options list on next page)

Shower panel shall be fabricated from 18 gauge, Type 304 stainless steel with exposed stainless surfaces polished to a #4 satin finish. Sloped top panel and bottom panel are riveted onto the cabinet.

Standard equipment shall include:
- Shower valves (from Valve Selection options list)
- Shower heads (from Shower Head Selection options list)
- Z-clip mounting bracket

Anchoring shall be by Z-clip and bottom flange with anchoring hardware by others. Shower unit shall be factory assembled, tested for proper operation, and ready for installation by a contractor. Unit requires no chase area for installation and maintenance.



**RIGHT HAND CONTROL FIXTURE SHOWN
(Unit may be shown with optional features)**

To specify fixture and accessories, use the Model Number and Options page.
Example: To specify a Wide Housing, ADA-Compliant, Surface Mounted Wall Shower with Right Hand controls, pressure-balancing valve, diverter valve, 1.5 GPM flow rate, APS and FX shower heads, and surface mounted soap dish
Use the following Willoughby Model Number:
CWSMS-ADA-WH-R-PBV-DV-1.5-APS-FX-SD

MODEL NUMBER AND OPTIONS:

1.) Base Model Number:

- CWSMS-ADA-WH Wide Housing, ADA-Compliant, Surface Mounted Wall Shower

2.) Panel Orientation (Must Specify):

- L Left Hand Controls
 R Right Hand Controls

3.) Valve Selection:

- NV No Valve
 PML1 Single Temp. Pneumatic Metering
 PML2 Dual Temp. Pneumatic Metering
 E1L1 Single Temp. Electronic (w/ Pneumatic Control)*
 E1L2 Dual Temp. Electronic (w/ Pneumatic Control)*
 PBV Pressure-Balancing Mixing Valve
 TPV Temp/Pressure-Balancing Mixing Valve
 TPLR Ligature-resistant Temperature/Pressure-Balancing Mixing Valve
 SVC Single Temp. Compression Valve
 DVC Dual Temp. Compression Valves

4.) Diverter Valve:

- DV Diverter Valve
 DVLR Ligature-resistant Diverter Valve
 PML1-MA2 Two Single Temp. Pneumatic Metering Valves (Used to divert water flow to either upper, lower, or both shower heads; for use with Mixing Valve options above)

5.) Push Button Selection:

Pneumatic or Electronic Valves Only:

- PPB Pneumatic Push Buttons
 PBH Ligature-resistant Pneumatic Push Buttons
 EPB Electronic Push Buttons*
 EPBH Ligature-resistant Electronic Push Buttons*
 PZPB Piezo Electronic Push Buttons*

6.) Flow Rates:

- 2.5 GPM (Standard) 2.0 GPM 1.5 GPM

7.) Electronic Control* (Must Use Electronic Push Button):

- WUSC-2200 WUSC-2400 Pneumatic

8.) Shower Head Selection:

- APS Adjustable Vandal-resistant Shower Head
 NPS Non-Adjustable Vandal-resistant Shower Head
 UBJ Universal Ball Joint Shower Head
 LBJ Lockable Ball Joint Shower Head
 CSH Ligature-resistant Shower Head
 FX Hand-held Flexshower Head (w/ quick disconnect, vacuum breaker, hook)
 2HD Dual Fixed Shower Heads (replaces (FX) Flexshower head w/ second of the selected fixed Shower Head)

9.) Optional Shower Seat:

- FSSL Left Hand Stainless Steel Folding Shower Seat
 FSSR Right Hand Stainless Steel Folding Shower Seat
 PFSSL Left Hand Padded Stainless Steel Folding Shower Seat
 PFSSR Right Hand Padded Stainless Steel Folding Shower Seat
 PHSSL Left Hand Phenolic Folding Shower Seat
 PHSSR Right Hand Phenolic Folding Shower Seat

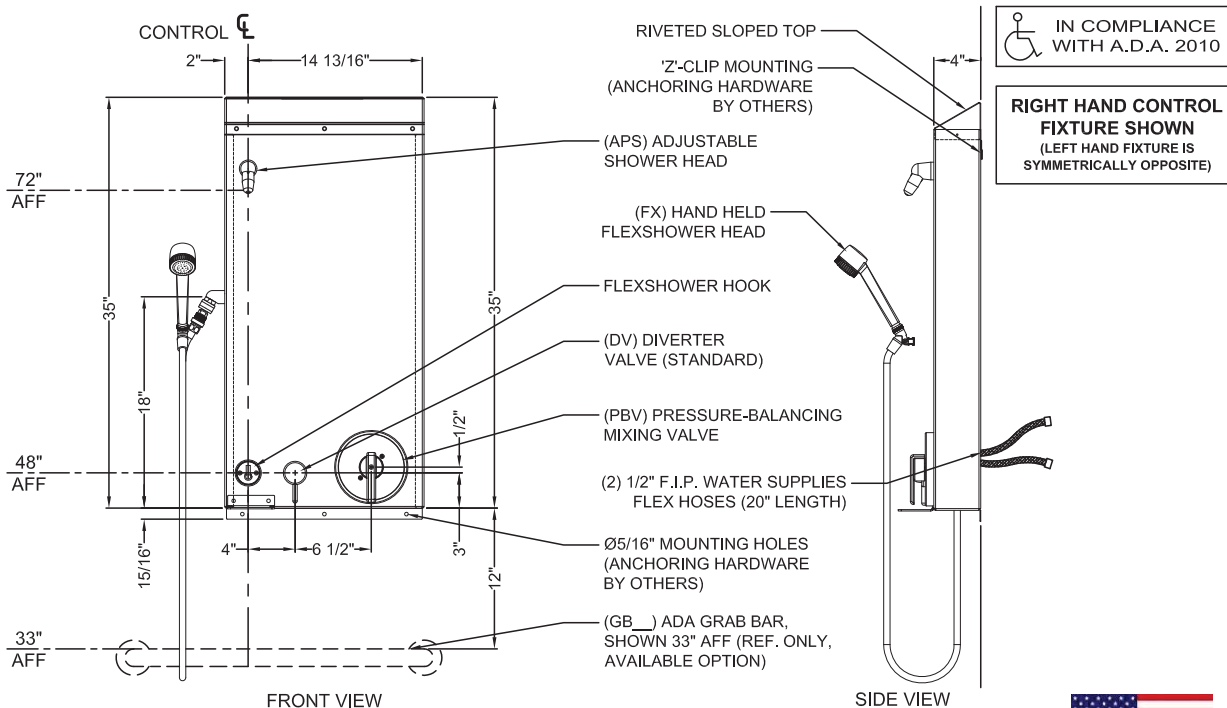
10.) Other Options:

- TF24H Hard-wired Transformer, 110VAC to 24VAC* (Standard)
 TF24P Plug-in Transformer, 110VAC to 24VAC*
 TMV Inline Thermostatic Mixing Valve
 HL Hi-Lo (2 Hooks For Flexshower)
 SLB24 24" Adjustable Slide Bar (for Flexshower)
 SD Surface Mounted Soap Dish
 RD Recessed Mounted Soap Dish (Option increases the cabinet width 7" to accommodate the soap dish while maintaining ADA compliance)
 GB3318 18" x 33" Two Wall Grab Bar
 CR Curtain Rod
 SC Shower Curtain
 GB Grab Bar (Wall Mounted, Specify Dimensions): _____
 PS Pipe Shroud (Specify Length): _____ (Pipe Shroud option changes Riveted Sloped Top to Flat Top)
 Other _____

* (Req. 110V power through ground fault interrupter (GFCI) receptacle)

Approved For Manufacturing By: _____ Date: _____ Company: _____
 Wall Thickness: _____ Wall Type: _____

VERIFY ALL DIMENSIONS WITH FACTORY PRIOR TO ROUGH-IN
 WILLOUGHBY RESERVES THE RIGHT TO MAKE CHANGES IN DESIGN AND DIMENSIONS WITHOUT FORMAL NOTICE AND WITHOUT INCURRING OBLIGATION.

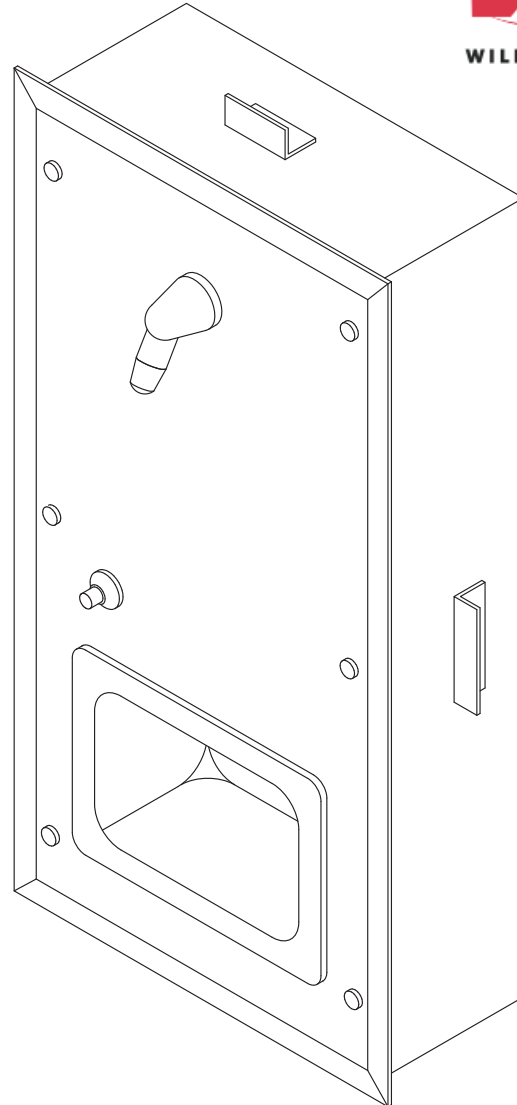


visit our website at www.willoughby-ind.com
 5105 West 78th Street • Indianapolis, IN. 46268
 (317) 875-0830 • Fax: (317) 875-0837 • (800) 428-4065



MADE IN THE U.S.A.

CWRS-FA Series Front Mounted Recessed Shower Panel



Recommended Specifications

Front Mounted, Recessed Shower Panel shall be:
Willoughby Model No. **CWRS-FA**
(Select from model number and options list on next page)

Shower panel shall be fabricated from 16 gauge, Type 304 stainless steel with exposed stainless surfaces polished to a #4 satin finish. In-wall mounting frame shall be fabricated from 18 gauge galvanized steel.

Standard equipment shall include:

- Shower valves (from Valve Selection options list)
- Shower head (from Shower Head Selection options list)
- In-wall mounting frame

Shower panel shall attach to in-wall mounting frame with vandal resistant stainless steel screws. Shower unit shall be factory assembled, tested for proper operation, and ready for installation by a contractor. Unit requires no chase area for installation and maintenance.

(Unit may be shown with optional features)

To specify fixture and accessories, use the Model Number and Options page.

Example: To specify a Front Mounted, Recessed Shower Panel with single temp. pneumatic metering valve, pneumatic push button, standard 2.5 GPM flow rate, APS adjustable vandal-resistant shower head, inline thermostatic mixing valve, and recessed soap dish

Use the following Willoughby Model Number:

CWRS-FA-PML1-PPB-2.5-APS-TMV-RD

MODEL NUMBER AND OPTIONS:

1.) Base Model Number:

- CWRS-FA Front Mounted, Recessed Shower Panel

2.) Valve Selection:

- NV No Valve
 PML1 Single Temp. Pneumatic Metering
 PML2 Dual Temp. Pneumatic Metering
 E1L1 Single Temp. Electronic (w/ Pneumatic Control)*
 E1L2 Dual Temp. Electronic (w/ Pneumatic Control)*
 PVB Pressure-Balancing Mixing Valve
 TPV Temperature/Pressure-Balancing Mixing Valve
 TPLR Ligature-resistant Temperature/Pressure-Balancing Mixing Valve
 SVC Single Temp. Compression Valve
 DVC Dual Temp. Compression Valves

3.) Push Button Selection:

Pneumatic or Electronic Valves Only:

- PPB Pneumatic Push Buttons
 PBH Ligature-resistant Pneumatic Push Buttons
 EPB Electronic Push Buttons*
 EPBH Ligature-resistant Electronic Push Buttons*
 PZPB Piezo Electronic Push Buttons*

4.) Flow Rates:

- 2.5 GPM (Standard) 2.0 GPM 1.5 GPM

5.) Electronic Control* (Must Use Electronic Push Button):

- WUSC-2200 WUSC-2400 Pneumatic

6.) Shower Head Selection:

- APS Adjustable Vandal-resistant Shower Head
 NPS Non-Adjustable Vandal-resistant Shower Head
 UBJ Universal Ball Joint Shower Head
 LBJ Lockable Ball Joint Shower Head
 CSH Ligature-resistant Shower Head
 FX Hand-held Flexshower Head (w/ quick disconnect, vacuum breaker, and (1) hook)

7.) Other Options:

- TF24H Hard-wired Transformer, 110VAC to 24VAC* (Standard)
 TF24P Plug-in Transformer, 110VAC to 24VAC*
 TMV Inline Thermostatic Mixing Valve
 SLB24 24" Adjustable Slide Bar (for Flexshower, Wall Mounted)
 SD Surface Mounted Soap Dish
 RD Recessed Mounted Soap Dish
 GB Grab Bar (Wall Mounted, Specify Dimensions):

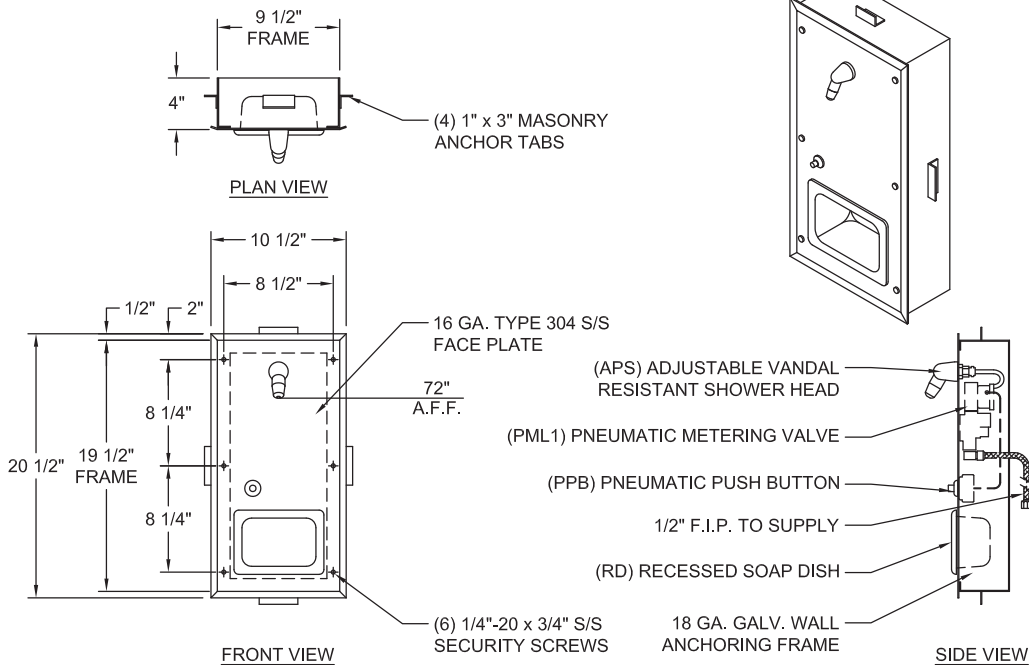
Other _____

Other _____

*(Req. 110V power through ground fault interrupter (GFCI) receptacle)

Approved For Manufacturing By: _____ Date: _____ Company: _____
 Wall Thickness: _____ Wall Type: _____

VERIFY ALL DIMENSIONS WITH FACTORY PRIOR TO ROUGH-IN
 WILLOUGHBY RESERVES THE RIGHT TO MAKE CHANGES IN DESIGN AND DIMENSIONS WITHOUT FORMAL NOTICE AND WITHOUT INCURRING OBLIGATION.



visit our website at www.willoughby-ind.com
 5105 West 78th Street • Indianapolis, IN. 46268
 (317) 875-0830 • Fax: (317) 875-0837 • (800) 428-4065



MADE IN THE U.S.A.

CWRS-FA-ADA Series ADA-Compliant Front Mounted Recessed Shower Panel



Recommended Specifications

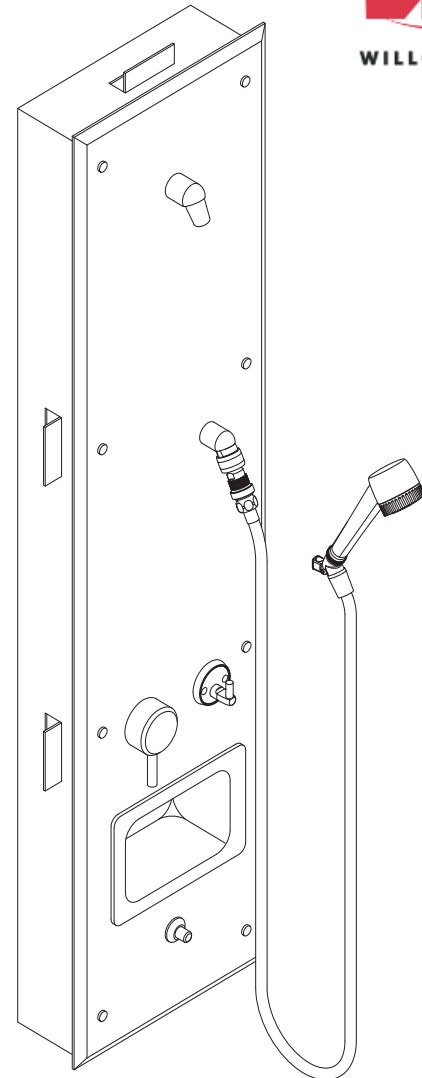
ADA-Compliant, Front Mounted, Recessed Shower Panel shall be: Willoughby Model No. **CWRS-FA-ADA**
(Select from model number and options list on next page)

Shower panel shall be fabricated from 16 gauge, Type 304 stainless steel with exposed stainless surfaces polished to a #4 satin finish. In-wall mounting frame shall be fabricated from 18 gauge galvanized steel.

Standard equipment shall include:

- Shower valves (from Valve Selection options list)
- Shower heads (from Shower Head Selection options list)
- In-wall mounting frame

Shower panel shall attach to in-wall mounting frame with vandal resistant stainless steel screws. Shower unit shall be factory assembled, tested for proper operation, and ready for installation by a contractor. Unit requires no chase area for installation and maintenance.



LEFT HAND CONTROL FIXTURE SHOWN
(Unit may be shown with optional features)

To specify fixture and accessories, use the Model Number and Options page.

Example: To specify an ADA-Compliant, Front Mounted, Recessed Shower Panel with PML1 valve, diverter valve, PPB push button, standard 2.5 GPM flow rate, NPS vandal-resistant and FX Flex-shower shower heads, and recessed soap dish

Use the following Willoughby Model Number:

CWRS-FA-ADA-PML1-DV-PPB-2.5-NPS-FX-RD

MODEL NUMBER AND OPTIONS:

1.) Base Model Number:

- CWRS-FA-ADA ADA-Compliant, Front Mounted,
Recessed Shower Panel

2.) Panel Orientation (Must Specify):

- L Left Hand Controls
 R Right Hand Controls

3.) Valve Selection:

- NV No Valve
 PML1 Single Temp. Pneumatic Metering
 PML2 Dual Temp. Pneumatic Metering
 E1L1 Single Temp. Electronic (w/ Pneumatic Control)*
 E1L2 Dual Temp. Electronic (w/ Pneumatic Control)*
 PBV Pressure-Balancing Mixing Valve**
 TPV Temperature/Pressure-Balancing Mixing Valve**
 TPLR Ligature-resistant Temp/Pressure-balancing Mixing Valve**
(TPLR not available with (DVLR) diverter valve on CWRS-FA-ADA)
 SVC Single Temp. Compression Valve
 DVC Dual Temp. Compression Valves
 MA2 **Valve Manifold Option** (Pneumatic or Electronic Valves Only):
(See the Manifold Option Page at the end of Catalog Section C14 for further information)

** (Cannot be specified with RD soap dish; use Model No. CWRS-FA-ADA-WH)

4.) Diverter Valve:

- DV Diverter Valve
 DVLR Ligature-resistant Diverter Valve
(TPLR not available with (DVLR) diverter valve on CWRS-FA-ADA)
 PML1-MA2 Two Single Temp. Pneumatic Metering Valves
(Used to divert water flow to either upper, lower, or both shower heads; for use with Mixing Valve options above)

5.) Push Button Selection:

Pneumatic or Electronic Valves Only:

- PPB Pneumatic Push Buttons
 PBH Ligature-resistant Push Buttons
 EPB Electronic Push Buttons*
 EPBH Ligature-resistant Electronic Push Buttons*
 PZPB Piezo Electronic Push Buttons*

6.) Flow Rates:

- 2.5 GPM (Standard) 2.0 GPM 1.5 GPM

7.) Electronic Control* (Must Use Electronic Push Button):

- WUSC-2200 WUSC-2400 Pneumatic

8.) Shower Head Selection:

- APS Adjustable Vandal-resistant Shower Head
 NPS Non-Adjustable Vandal-resistant Shower Head
 UBJ Universal Ball Joint Shower Head
 LBJ Lockable Ball Joint Shower Head
 CSH Ligature-resistant Shower Head
 FX Hand-held Flexshower Head (w/ quick disconnect, vacuum breaker, and (1) hook)
 2HD Dual Fixed Shower Heads (replaces (FX) Flexshower head w/ second of the selected fixed Shower Head)

9.) Optional Shower Seat:

- FSSL Left Hand Stainless Steel Folding Shower Seat
 FSSR Right Hand Stainless Steel Folding Shower Seat
 PFSSL Left Hand Padded Stainless Steel Folding Shower Seat
 PFSRR Right Hand Padded Stainless Steel Folding Shower Seat
 PHSSL Left Hand Phenolic Folding Shower Seat
 PHSSR Right Hand Phenolic Folding Shower Seat

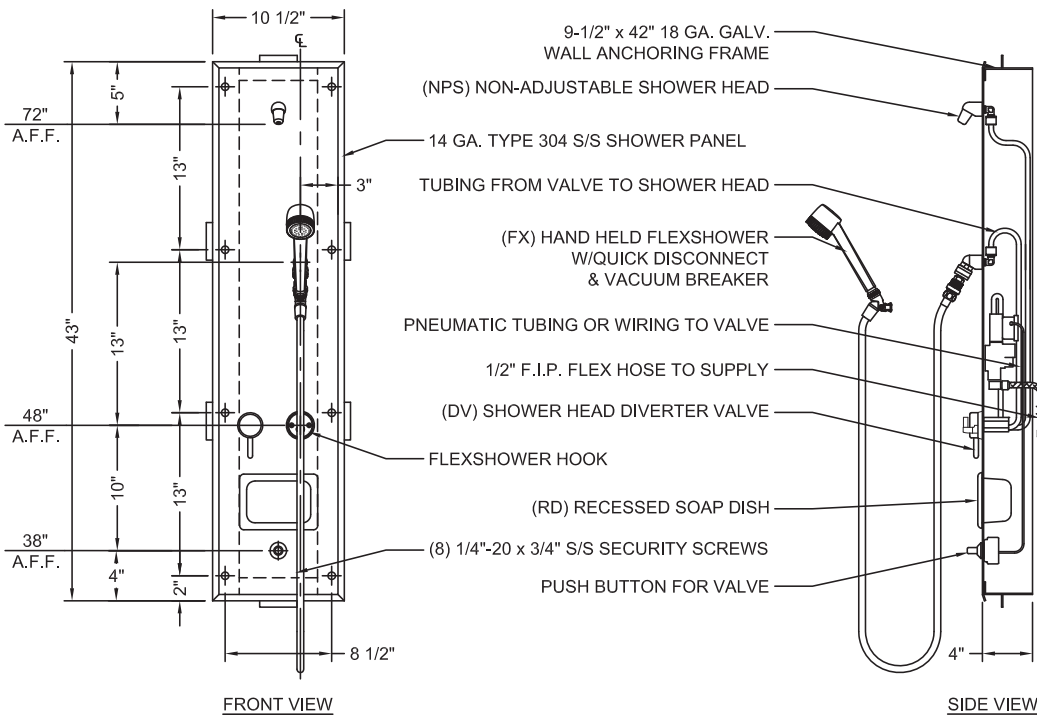
10.) Other Options:

- TF24H Hard-wired Transformer, 110VAC to 24VAC* (Standard)
 TF24P Plug-in Transformer, 110VAC to 24VAC*
 TMV Inline Thermostatic Mixing Valve
 HL Hi-Lo (2 Hooks For Flexshower)
 SLB24 24" Adjustable Slide Bar (for Flexshower)
 SD Surface Mounted Soap Dish
 RD Recessed Mounted Soap Dish** (Cannot be specified with PBV, TPV, or TPLR mixing valves; use Model No. CWRS-FA-ADA-WH)
 GB3318 18" x 33" Two Wall Grab Bar
 GB Grab Bar (Wall Mounted, Specify Dimensions): _____
 Other _____

*(Req. 110V power through ground fault interrupter (GFCI) receptacle)

Approved For Manufacturing By: _____ Date: _____ Company: _____
 Wall Thickness: _____ Wall Type: _____

VERIFY ALL DIMENSIONS WITH FACTORY PRIOR TO ROUGH-IN
 WILLOUGHBY RESERVES THE RIGHT TO MAKE CHANGES IN DESIGN AND DIMENSIONS WITHOUT FORMAL NOTICE AND WITHOUT INCURRING OBLIGATION.



**LEFT HAND CONTROL
FIXTURE SHOWN**
 (RIGHT HAND FIXTURE IS
 SYMMETRICALLY OPPOSITE)

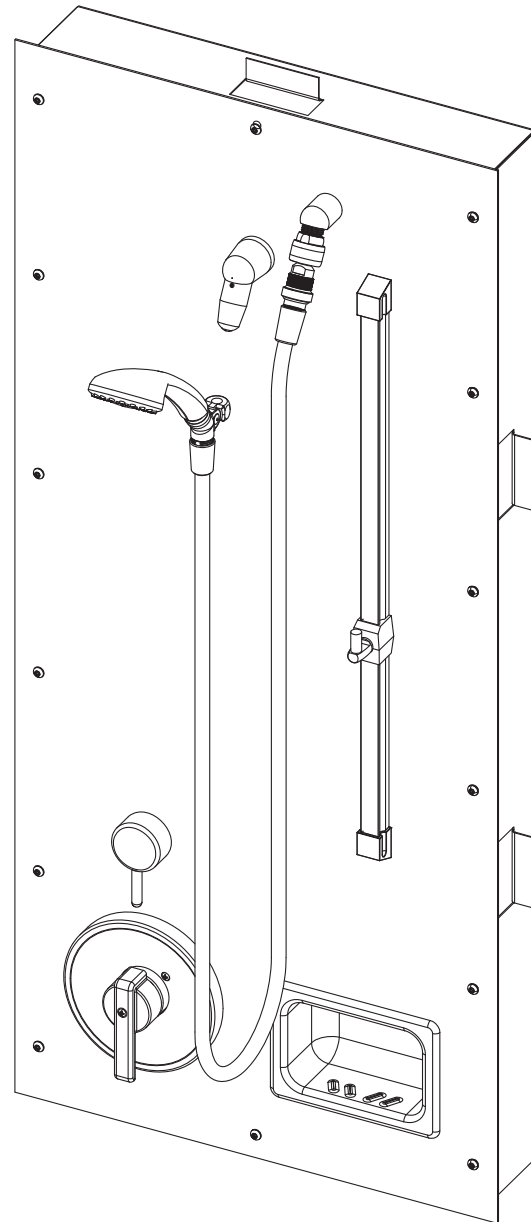
IN COMPLIANCE
 WITH A.D.A. 2010

visit our website at www.willoughby-ind.com
 5105 West 78th Street • Indianapolis, IN. 46268
 (317) 875-0830 • Fax: (317) 875-0837 • (800) 428-4065



MADE IN THE U.S.A.

CWRS-FA-ADA-WH Series Wide Housing ADA-Compliant Front Mounted Recessed Shower Panel



LEFT HAND CONTROL FIXTURE SHOWN
(Unit may be shown with optional features)

Recommended Specifications

Wide Housing, ADA-Compliant, Front Mounted, Recessed Shower Panel shall be:
Willoughby Model No. **CWRS-FA-ADA-WH**
(Select from model number and options list on next page)

Shower panel shall be fabricated from 16 gauge, Type 304 stainless steel with exposed stainless surfaces polished to a #4 satin finish. In-wall mounting frame shall be fabricated from 18 gauge galvanized steel.

- Standard equipment shall include:
- Shower valves (from Valve Selection options list)
 - Shower heads (from Shower Head Selection options list)
 - In-wall mounting frame

Shower panel shall attach to in-wall mounting frame with vandal resistant stainless steel screws. Shower unit shall be factory assembled, tested for proper operation, and ready for installation by a contractor. Unit requires no chase area for installation and maintenance.

To specify fixture and accessories, use the Model Number and Options page.
Example: To specify a Wide Housing, ADA-Compliant, Front Mounted, Recessed Shower Panel with left hand controls, pressure-balancing mixing valve, diverter valve, 2.5 GPM flow rate, APS adjustable vandal-resistant and FX Flexshower shower heads, flex shower slide bar, and recessed soap dish
Use the following Willoughby Model Number:
CWRS-FA-ADA-WH-L-PBV-DV-2.5-APS-FX-SLB24-RD



MODEL NUMBER AND OPTIONS:

1.) Base Model Number:

- CWRS-FA-ADA-WH Wide Housing, ADA-Compliant, Front Mounted, Recessed Shower Panel

2.) Panel Orientation (Must Specify):

- L Left Hand Controls
 R Right Hand Controls

3.) Valve Selection:

- NV No Valve
 PML1 Single Temp. Pneumatic Metering
 PML2 Dual Temp. Pneumatic Metering
 E1L1 Single Temp. Electronic (w/ Pneumatic Control)*
 E1L2 Dual Temp. Electronic (w/ Pneumatic Control)*
 PBV Pressure-Balancing Mixing Valve
 TPV Temperature/Pressure-Balancing Mixing Valve
 TPLR Ligature-resistant Temp/Pressure-balancing Mixing Valve
 SVC Single Temp. Compression Valve
 DVC Dual Temp. Compression Valves
 MA2 **Valve Manifold Option** (Pneumatic or Electronic Valves Only):
(See the Manifold Option Page at the end of Catalog Section C14 for further information)

4.) Diverter Valve:

- DV Diverter Valve
 DVLR Ligature-resistant Diverter Valve
 PML1-MA2 Two Single Temp. Pneumatic Metering Valves
 (Used to divert water flow to either upper, lower, or both shower heads; for use with Mixing Valve options above)

5.) Push Button Selection:

Pneumatic or Electronic Valves Only:

- PPB Pneumatic Push Buttons
 PBH Ligature-resistant Push Buttons
 EPB Electronic Push Buttons*
 EPBH Ligature-resistant Electronic Push Buttons*
 PZPB Piezo Electronic Push Buttons*

6.) Flow Rates:

- 2.5 GPM (Standard) 2.0 GPM 1.5 GPM

7.) Electronic Control* (Must Use Electronic Push Button):

- WUSC-2200 WUSC-2400 Pneumatic

8.) Shower Head Selection:

- APS Adjustable Vandal-resistant Shower Head
 NPS Non-Adjustable Vandal-resistant Shower Head
 UBJ Universal Ball Joint Shower Head
 LBJ Lockable Ball Joint Shower Head
 CSH Ligature-resistant Shower Head
 FX Hand-held Flexshower Head (w/ quick disconnect, vacuum breaker, and (1) hook)
 2HD Dual Fixed Shower Heads (replaces (FX) Flexshower head w/ second of the selected fixed Shower Head)

9.) Optional Shower Seat:

- FSSL Left Hand Stainless Steel Folding Shower Seat
 FSSR Right Hand Stainless Steel Folding Shower Seat
 PFSSL Left Hand Padded Stainless Steel Folding Shower Seat
 PFSSR Right Hand Padded Stainless Steel Folding Shower Seat
 PHSSL Left Hand Phenolic Folding Shower Seat
 PHSSR Right Hand Phenolic Folding Shower Seat

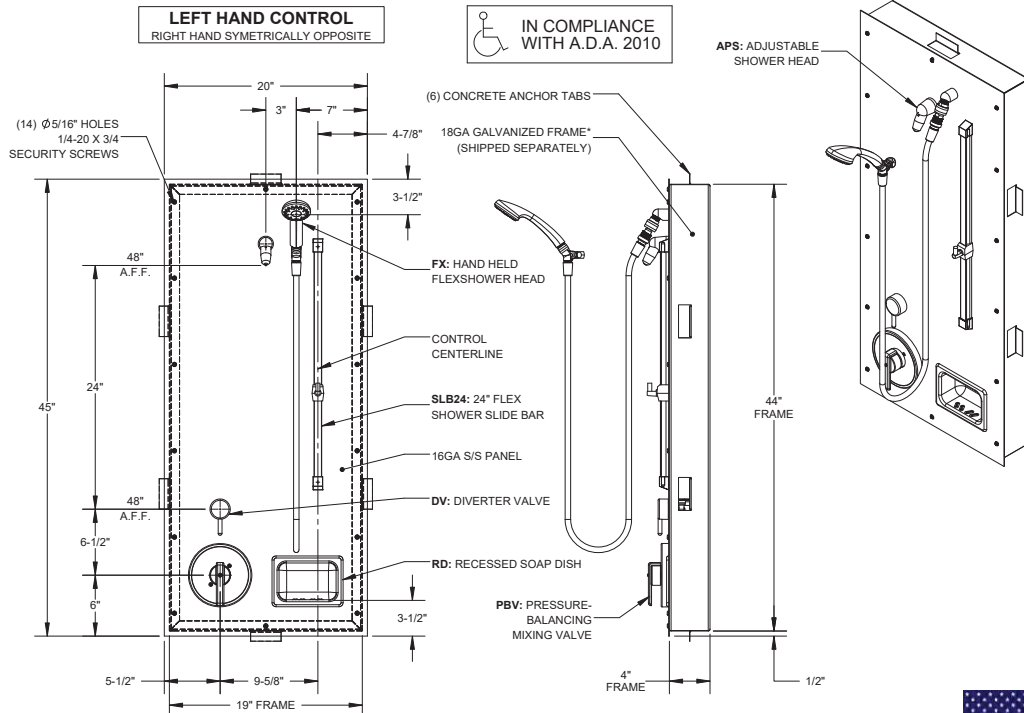
10.) Other Options:

- TF24H Hard-wired Transformer, 110VAC to 24VAC* (Standard)
 TF24P Plug-in Transformer, 110VAC to 24VAC*
 TMV Inline Thermostatic Mixing Valve
 HL Hi-Lo (2 Hooks For Flexshower)
 SLB24 24" Adjustable Slide Bar (for Flexshower)
 SD Surface Mounted Soap Dish
 RD Recessed Mounted Soap Dish
 GB3318 18" x 33" Two Wall Grab Bar
 CR Curtain Rod
 SC Shower Curtain
 GB Grab Bar (Wall Mounted, Specify Dimensions): _____
 Other _____
 Other _____

*(Req. 110V power through ground fault interrupter (GFCI) receptacle)

Approved For Manufacturing By: _____ Date: _____ Company: _____
 Wall Thickness: _____ Wall Type: _____

VERIFY ALL DIMENSIONS WITH FACTORY PRIOR TO ROUGH-IN
 WILLOUGHBY RESERVES THE RIGHT TO MAKE CHANGES IN DESIGN AND DIMENSIONS WITHOUT FORMAL NOTICE AND WITHOUT INCURRING OBLIGATION.



visit our website at www.willoughby-ind.com

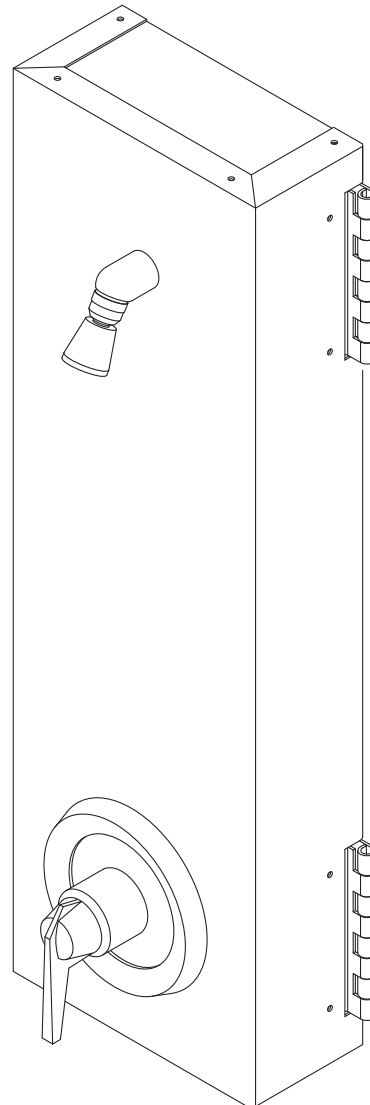
5105 West 78th Street • Indianapolis, IN. 46268

(317) 875-0830 • Fax: (317) 875-0837 • (800) 428-4065



MADE IN THE U.S.A.

CWSMSH Series Hinged Surface Mounted Wall Shower



(Unit may be shown with optional features)

To specify fixture and accessories, use the Model Number and Options page.

Example: To specify a Hinged Surface Mounted Wall Shower with temp./pressure-balancing mixing valve, standard 2.5 GPM flow rate, and standard UBJ universal ball joint shower head

Use the following Willoughby Model Number:

CWSMSH-TPV-2.5-UBJ

Recommended Specifications

Hinged Surface Mounted Wall Shower shall be:
Willoughby Model No. **CWSMSH**
(Select from model number and options list on next page)

Hinged shower panel shall be fabricated from 18 gauge, Type 304 stainless steel with exposed stainless surfaces polished to a #4 satin finish. Top and bottom panels are riveted on to shower panel.

Standard equipment shall include:

- Shower valves (from Valve Selection options list)
- Shower head (from Shower Head Selection options list)

Anchoring shall be by (2) 1" opening hinges with $\text{Ø}5/16$ " mounting holes and (2) $\text{Ø}5/16$ " mounting tabs (anchoring hardware by others). Shower unit shall be factory assembled, tested for proper operation, and ready for installation by a contractor. Unit requires no chase area for installation and maintenance.

visit our website at www.willoughby-ind.com

5105 West 78th Street • Indianapolis, IN. 46268
(317) 875-0830 • Fax: (317) 875-0837 • (800) 428-4065



MADE IN THE U.S.A.

MODEL NUMBER AND OPTIONS:

1.) Base Model Number:

CWMSMH Hinged Surface Mounted Wall Shower

5.) Electronic Control* (Must Use Electronic Push Button):

WUSC-2200 WUSC-2400 Pneutronic

2.) Valve Selection:

- NV No Valve
- PML1 Single Temp. Pneumatic Metering
- PML2 Dual Temp. Pneumatic Metering
- E1L1 Single Temp. Electronic (w/ Pneutronic Control)*
- E1L2 Dual Temp. Electronic (w/ Pneutronic Control)*
- PBV Pressure-Balancing Mixing Valve
- TPV Temperature/Pressure-Balancing Mixing Valve
- SVC Single Temp. Compression Valve
- DVC Dual Temp. Compression Valves

6.) Shower Head Selection:

- APS Adjustable Vandal-resistant Shower Head
- NPS Non-Adjustable Vandal-resistant Shower Head
- UBJ Universal Ball Joint Shower Head
- LBJ Lockable Ball Joint Shower Head
- CSH Ligature-resistant Shower Head

3.) Push Button Selection:

Pneumatic or Electronic Valves Only:

- PPB Pneumatic Push Buttons
- PBH Ligature-resistant Push Buttons
- EPB Electronic Push Buttons*
- EPBH Ligature-resistant Electronic Push Buttons*
- PZPB Piezo Electronic Push Buttons*

7.) Other Options:

- TF24H Hard-wired Transformer, 110VAC to 24VAC* (Standard)
- TF24P Plug-in Transformer, 110VAC to 24VAC*
- TMV Inline Thermostatic Mixing Valve
- SD Surface Mounted Soap Dish (Wall Mounted)
- RSD2 Recessed Soap Dish (In-Wall Mounted)
- GB Grab Bar (Wall Mounted, Specify Dimensions):

PS Pipe Shroud (Specify Length): _____

Other _____

Other _____

*(Req. 110V power through ground fault interrupter (GFCI) receptacle)

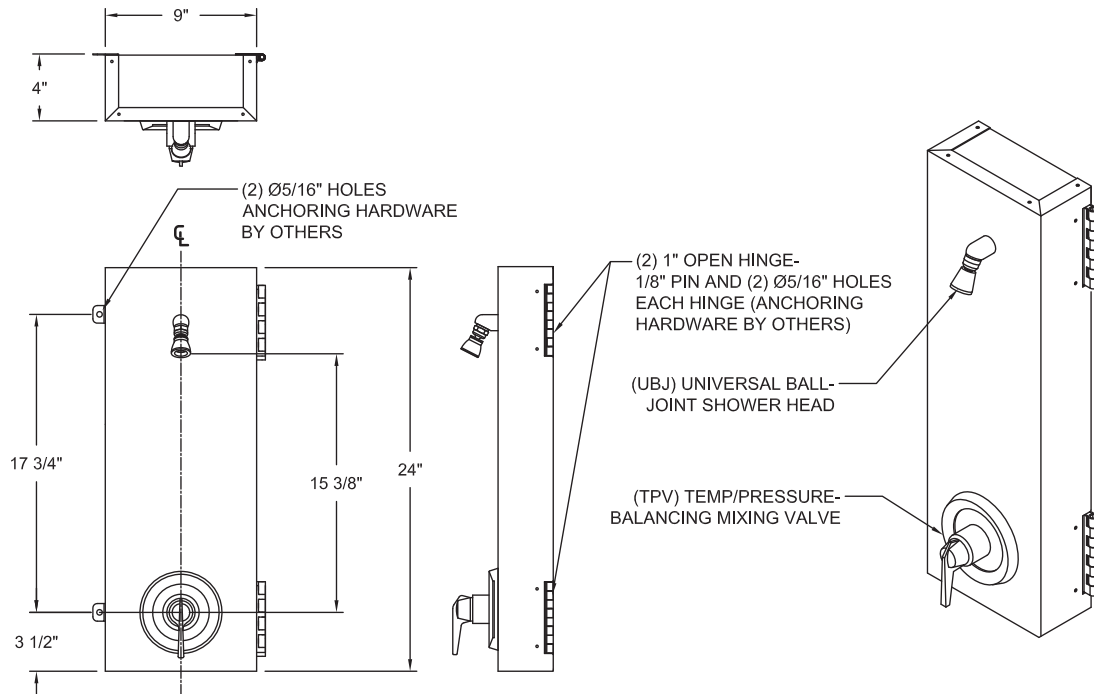
4.) Flow Rates:

2.5 GPM (Standard) 2.0 GPM 1.5 GPM

Approved For Manufacturing By: _____ Date: _____ Company: _____

Wall Thickness: _____ Wall Type: _____

VERIFY ALL DIMENSIONS WITH FACTORY PRIOR TO ROUGH-IN
WILLOUGHBY RESERVES THE RIGHT TO MAKE CHANGES IN DESIGN AND DIMENSIONS WITHOUT FORMAL NOTICE AND WITHOUT INCURRING OBLIGATION.

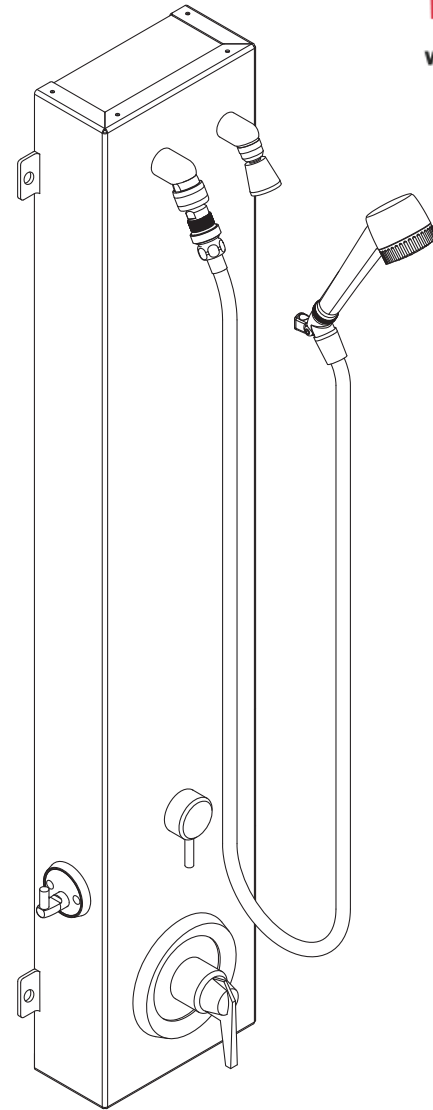


visit our website at www.willoughby-ind.com
 5105 West 78th Street • Indianapolis, IN. 46268
 (317) 875-0830 • Fax: (317) 875-0837 • (800) 428-4065



MADE IN THE U.S.A.

CWSMSH-HCA Series Handicap Accessible Hinged Surface Mounted Wall Shower



(Unit may be shown with optional features)

Recommended Specifications

Handicap Accessible, Hinged Surface Mounted Wall Shower shall be: Willoughby Model No. **CWSMSH-HCA** (Select from model number and options list on next page)

Hinged shower panel shall be fabricated from 18 gauge, Type 304 stainless steel with exposed stainless surfaces polished to a #4 satin finish. Top and bottom panels are riveted on to shower panel.

Standard equipment shall include:

- Shower valves (from Valve Selection options list)
- Shower heads (from Shower Head Selection options list)

Anchoring shall be by (3) 1" opening hinges with Ø5/16" mounting holes and (2) Ø5/16" mounting tabs (anchoring hardware by others). Shower unit shall be factory assembled, tested for proper operation, and ready for installation by a contractor. Unit requires no chase area for installation and maintenance.

To specify fixture and accessories, use the Model Number and Options page.

Example: To specify a Handicap Accessible, Hinged Surface Mounted Wall Shower with temp./ pressure-balancing mixing valve, diverter valve, standard 2.5 GPM flow rate, and UBJ universal ball joint and FX Flexshower shower heads

Use the following Willoughby Model Number:
CWSMSH-HCA-TPV-DV-2.5-UBJ-FX

Handicap Accessible:

The CWSMSH-HCA will conform to most, but not all, ADA requirements; for complete ADA Compliance, see Model No. CWSMS-ADA-WH (non-hinged). (Compliance shall be subject to the requirements of the local code authority based on installation-specific details and is the responsibility of the installer.)



MODEL NUMBER AND OPTIONS:

1.) Base Model Number:

- CWSMSH-HCA Handicap Accessible, Hinged Surface Mounted Wall Shower

2.) Valve Selection:

- NV No Valve
- PML1 Single Temp. Pneumatic Metering
- PML2 Dual Temp. Pneumatic Metering
- E1L1 Single Temp. Electronic (w/ Pneutronic Control)*
- E1L2 Dual Temp. Electronic (w/ Pneutronic Control)*
- PBV Pressure-Balancing Mixing Valve
- TPV Temperature/Pressure-Balancing Mixing Valve
- SVC Single Temp. Compression Valve
- DVC Dual Temp. Compression Valves
- MA2 **Valve Manifold Option (Pneumatic or Electronic Valves Only):**
(See the Manifold Option Page at the end of Catalog Section C14 for further information)

3.) Diverter Valve:

- DV Diverter Valve
- DVLR Ligature-resistant Diverter Valve
- PML1-MA2 Two Single Temp. Pneumatic Metering Valves
(Used to divert water flow to either upper, lower, or both shower heads; for use with Mixing Valve options above)

4.) Push Button Selection:

Pneumatic or Electronic Valves Only:

- PPB Pneumatic Push Buttons
- PBH Ligature-resistant Push Buttons
- EPB Electronic Push Buttons*
- EPBH Ligature-resistant Electronic Push Buttons*
- PZPB Piezo Electronic Push Buttons*

5.) Flow Rates:

- 2.5 GPM (Standard) 2.0 GPM 1.5 GPM

6.) Electronic Control* (Must Use Electronic Push Button):

- WUSC-2200 WUSC-2400 Pneutronic

7.) Shower Head Selection:

- APS Adjustable Vandal-resistant Shower Head
- NPS Non-Adjustable Vandal-resistant Shower Head
- UBJ Universal Ball Joint Shower Head
- LBJ Lockable Ball Joint Shower Head
- CSH Ligature-resistant Shower Head
- FX Hand-held Flexshower Head (w/ quick disconnect, vacuum breaker, and (1) hook)
- 2HD Dual Fixed Shower Heads (replaces (FX) Flexshower head w/ second of the selected fixed Shower Head)

8.) Other Options:

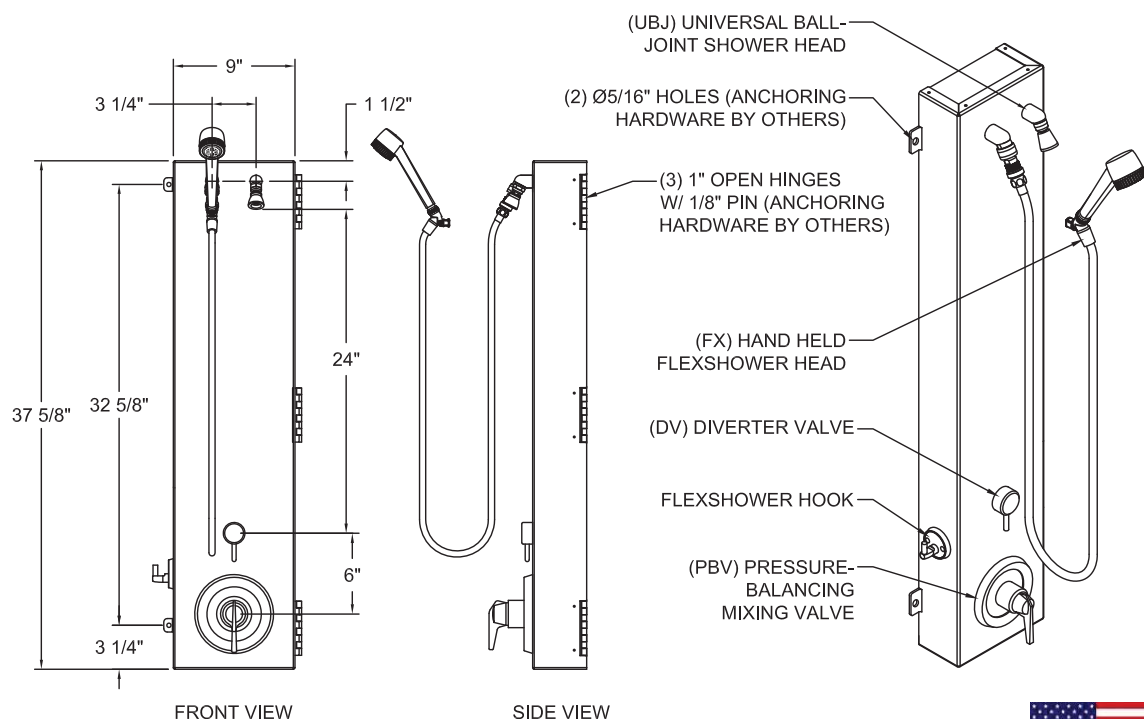
- TF24H Hard-wired Transformer, 110VAC to 24VAC* (Standard)
- TF24P Plug-in Transformer, 110VAC to 24VAC*
- TMV Inline Thermostatic Mixing Valve
- HL Hi-Lo (2 Hooks For Flexshower)
- SLB24 24" Adjustable Slide Bar (for Flexshower)
- SD Surface Mounted Soap Dish (Wall Mounted)
- RSD2 Recessed Soap Dish (In-Wall Mounted)
- GB Grab Bar (Wall Mounted, Specify Dimensions):

- PS Pipe Shroud (Specify Length): _____
- _____
- Other _____
- Other _____

* (Req. 110V power through ground fault interrupter (GFCI) receptacle)

Approved For Manufacturing By: _____ Date: _____ Company: _____
 Wall Thickness: _____ Wall Type: _____

VERIFY ALL DIMENSIONS WITH FACTORY PRIOR TO ROUGH-IN
 WILLOUGHBY RESERVES THE RIGHT TO MAKE CHANGES IN DESIGN AND DIMENSIONS WITHOUT FORMAL NOTICE AND WITHOUT INCURRING OBLIGATION.

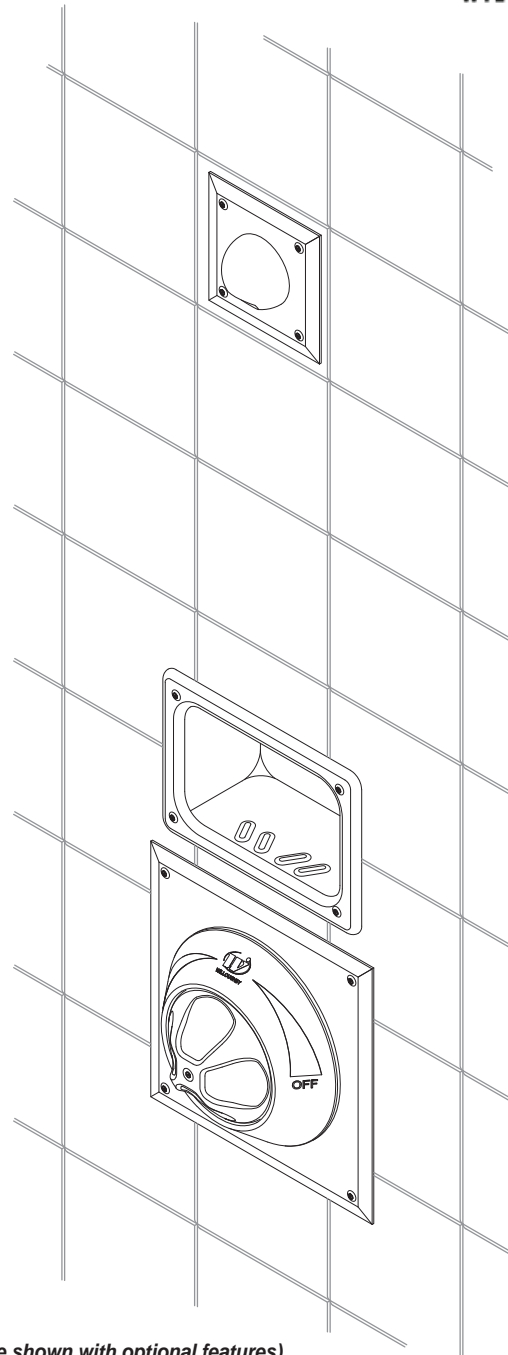


visit our website at www.willoughby-ind.com
 5105 West 78th Street • Indianapolis, IN. 46268
 (317) 875-0830 • Fax: (317) 875-0837 • (800) 428-4065



MADE IN THE U.S.A.

CWBIS-FA Series Front Mounted Built-In Shower



Recommended Specifications

Front Mounted Built-In Shower shall be:
Willoughby Model No. **CWBIS-FA**
(Select from model number and options list on next page)

Shower head and valve push button face plates shall be fabricated from 14 gauge, Type 304 stainless steel with exposed surfaces polished to a #4 satin finish.

Standard equipment shall include:

- Shower valve (from Valve Selection options list)
- Shower head (from Shower Head Selection options list)

Anchoring of stainless steel panels shall be from the front.
Wall anchors by others.

Handicap Accessible:

The CWBIS-FA can be installed to conform to most ADA requirements; for complete ADA Compliance, see Model No. CWBIS-FA-ADA
(Compliance shall be subject to the requirements of the local code authority based on installation-specific details and is the responsibility of the installer.)

(Unit may be shown with optional features)

To specify fixture and accessories, use the Model Number and Options page.

Example: To specify a Front Mounted Built-In Shower with ligature-resistant temp/pressure-balancing mixing valve, standard 2.5 GPM flow rate, CSH ligature-resistant shower head, and in-wall mounted recessed soap dish

Use the following Willoughby Model Number:

CWBIS-FA-TPLR-2.5-CSH-RSD2

MODEL NUMBER AND OPTIONS:

1.) Base Model Number:

- CWBIS-FA Front Mounted Built-in Shower

5.) Electronic Control* (Must Use Electronic Push Button):

- WUSC-2200 WUSC-2400 Pneutronic

2.) Valve Selection:

- NV No Valve
- PML1 Single Temp. Pneumatic Metering
- PML2 Dual Temp. Pneumatic Metering
- E1L1 Single Temp. Electronic (w/ Pneutronic Control)*
- E1L2 Dual Temp. Electronic (w/ Pneutronic Control)*
- PBV Pressure-Balancing Mixing Valve
- TPV Temperature/Pressure-Balancing Mixing Valve
- TPLR Ligature-resistant Temp/Pressure-balancing Mixing Valve
- SVC Single Temp. Compression Valve
- DVC Dual Temp. Compression Valves

6.) Shower Head Selection:

- APS Adjustable Vandal-resistant Shower Head
- NPS Non-Adjustable Vandal-resistant Shower Head
- UBJ Universal Ball Joint Shower Head
- LBJ Lockable Ball Joint Shower Head
- CSH Ligature-resistant Shower Head
- FX Hand-held Flexshower Head (w/ quick disconnect, vacuum breaker, and (1) hook)

3.) Push Button Selection:

Pneumatic or Electronic Valves Only:

- PPB Pneumatic Push Buttons
- PBH Ligature-resistant Push Buttons
- EPB Electronic Push Buttons*
- EPBH Ligature-resistant Electronic Push Buttons*
- PZPB Piezo Electronic Push Buttons*

7.) Other Options:

- TF24H Hard-wired Transformer, 110VAC to 24VAC* (Standard)
- TF24P Plug-in Transformer, 110VAC to 24VAC*
- TMV Inline Thermostatic Mixing Valve
- HL Hi-Lo (2 Hooks For Flexshower)
- SLB24 24" Adjustable Slide Bar (for Flexshower, Wall Mounted)
- SD Surface Mounted Soap Dish (Wall Mounted)
- RSD2 Recessed Soap Dish (In-Wall Mounted)
- GB Grab Bar (Wall Mounted, Specify Dimensions):

- Other _____
- Other _____

*(Req. 110V power through ground fault interrupter (GFCI) receptacle)

4.) Flow Rates:

- 2.5 GPM (Standard) 2.0 GPM 1.5 GPM

Approved For Manufacturing By: _____ Date: _____ Company: _____
 Wall Thickness: _____ Wall Type: _____

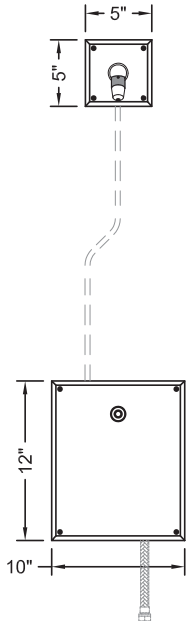
CWBIS-FA- POSSIBLE FIXTURE CONFIGURATIONS:

1/2" F.I.P. FLEX HOSES TO H&C WATER SUPPLIES;
 SUPPLY ORIENTATION (BOTTOM, TOP, BACK)
 WILL BE INSTALLATION SPECIFIC

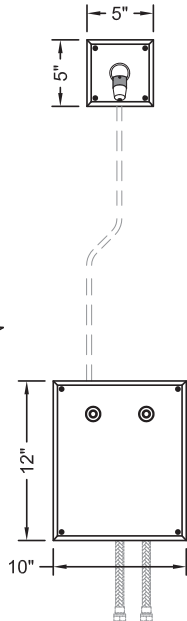
TUBING/SUPPLY FROM
 VALVE TO SHOWER HEAD

14 GA. S/S MOUNTING PLATES
 (UPPER AND LOWER)

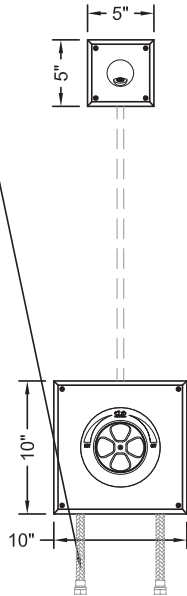
VERIFY ALL DIMENSIONS WITH FACTORY PRIOR TO ROUGH-IN
 WILLOUGHBY RESERVES THE RIGHT TO MAKE CHANGES IN DESIGN AND DIMENSIONS WITHOUT FORMAL NOTICE AND WITHOUT INCURRING OBLIGATION.



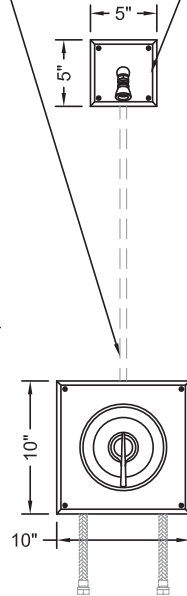
CWBIS-FA W/ SINGLE
 TEMP. PUSH BUTTON,
 (APS) SHOWER HEAD



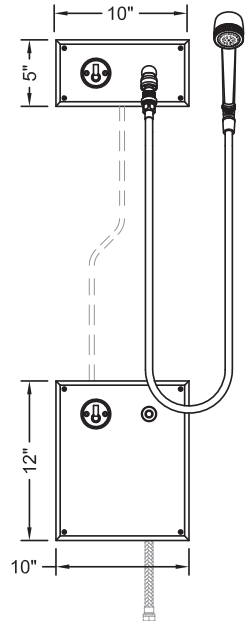
CWBIS-FA W/ DUAL
 TEMP. PUSH BUTTONS,
 (APS) SHOWER HEAD



CWBIS-FA W/
 (TPLR) MIXING VALVE,
 (CSH) SHOWER HEAD



CWBIS-FA W/
 (TPV) MIXING VALVE,
 (UBJ) SHOWER HEAD



CWBIS-FA W/ SINGLE
 TEMP. PUSH BUTTON,
 (FX) FLEXSHOWER,
 (HL) HI-LO HOOKS

NOTE: CERTAIN ACCESSORIES SUCH AS SOAP DISHES, GRAB BARS, AND FLEXSHOWER ACCESSORIES WILL BE WALL MOUNTED

NOTE: CUTOUTS REQUIRED FOR ALL MOUNTING PLATES

visit our website at www.willoughby-ind.com
 5105 West 78th Street • Indianapolis, IN. 46268
 (317) 875-0830 • Fax: (317) 875-0837 • (800) 428-4065



MADE IN THE U.S.A.

CWBIS-FA-ADA Series ADA-Compliant Front Mounted Built-In Shower



Recommended Specifications

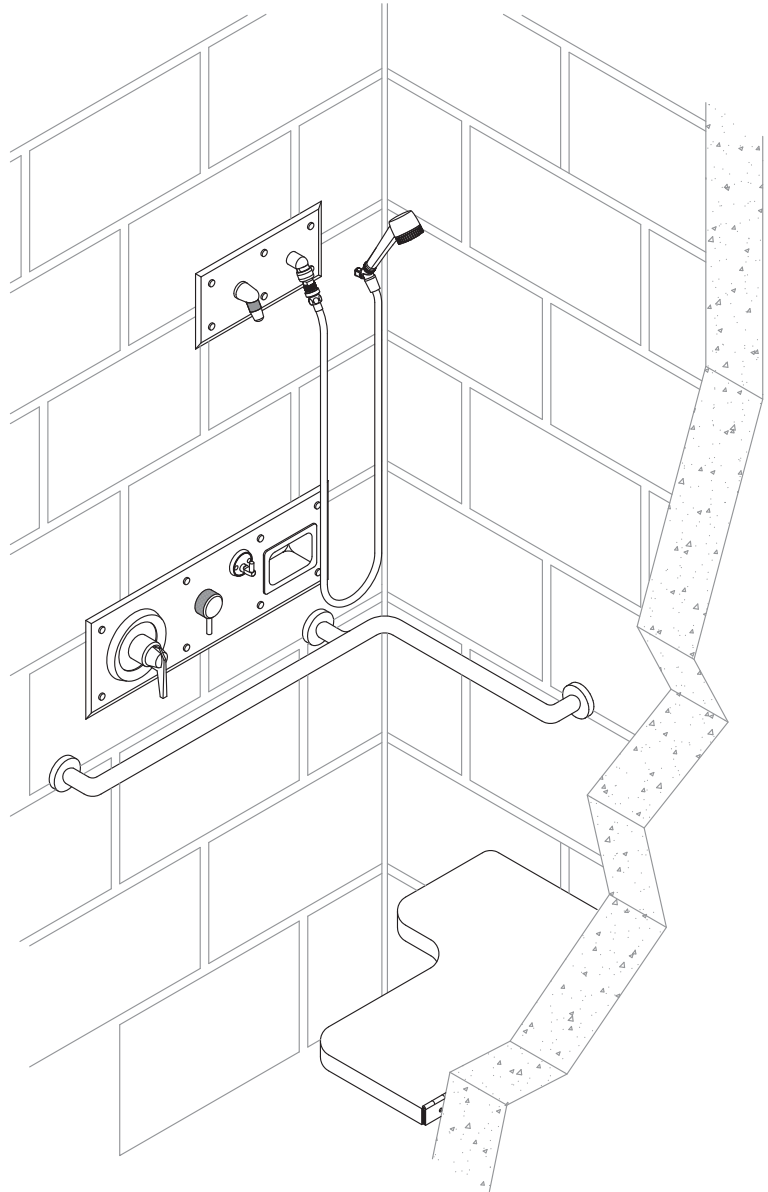
ADA-Compliant, Front Mounted Built-In Shower shall be:
Willoughby Model No. **CWBIS-FA-ADA**
(Select from model number and options list on next page)

Shower head and valve push button face plates shall be fabricated from 14 gauge, Type 304 stainless steel with exposed surfaces polished to a #4 satin finish.

Standard equipment shall include:

- Shower valves (from Valve Selection options list)
- Shower heads (from Shower Head Selection options list)

Anchoring of stainless steel panels shall be from the front.
Wall anchors by others.



**LEFT HAND CONTROL FIXTURE SHOWN
(Unit may be shown with optional features)**

To specify fixture and accessories, use the Model Number and Options page.

Example: To specify an ADA-Compliant, Front Mounted Built-In Shower with left hand controls, temp./ pressure-balancing mixing valve, diverter valve, standard 2.5 GPM flow rate, APS adjustable vandal-resistant and FX Flexshower shower heads, S/S folding shower seat (right hand), two wall grab bar, and recessed soap dish

Use the following Willoughby Model Number:
CWBIS-FA-ADA-L-TPV-DV-2.5-APS-FX-FSSR-GB3318-RD

visit our website at www.willoughby-ind.com
5105 West 78th Street • Indianapolis, IN. 46268
(317) 875-0830 • Fax: (317) 875-0837 • (800) 428-4065



MADE IN THE U.S.A.

MODEL NUMBER AND OPTIONS:

1.) Base Model Number:

- CWBIS-FA-ADA ADA-Compliant, Front Mounted Built-In Shower

6.) Flow Rates:

- 2.5 GPM (Standard) 2.0 GPM 1.5 GPM

2.) Panel Orientation (Must Specify):

- L Left Hand Controls
 R Right Hand Controls

7.) Electronic Control* (Must Use Electronic Push Button):

- WUSC-2200 WUSC-2400 Pneutronic

3.) Valve Selection:

- NV No Valve
 PML1 Single Temp. Pneumatic Metering
 PML2 Dual Temp. Pneumatic Metering
 E1L1 Single Temp. Electronic (w/ Pneutronic Control)*
 E1L2 Dual Temp. Electronic (w/ Pneutronic Control)*
 PBV Pressure-Balancing Mixing Valve
 TPV Temperature/Pressure-Balancing Mixing Valve
 TPLR Ligature-resistant Temp/Pressure-balancing Mixing Valve
 SVC Single Temp. Compression Valve
 DVC Dual Temp. Compression Valves
 MA2 **Valve Manifold Option** (Pneumatic or Electronic Valves Only):
(See the Manifold Option Page at the end of Catalog Section C14 for further information)

8.) Shower Head Selection:

- APS Adjustable Vandal-resistant Shower Head
 NPS Non-Adjustable Vandal-resistant Shower Head
 UBJ Universal Ball Joint Shower Head
 LBJ Lockable Ball Joint Shower Head
 CSH Ligature-resistant Shower Head
 FX Hand-held Flexshower Head (w/ quick disconnect, vacuum breaker, and (1) hook)

9.) Optional Shower Seat:

- FSSL Left Hand Stainless Steel Folding Shower Seat
 FSSR Right Hand Stainless Steel Folding Shower Seat
 PFSSL Left Hand Padded Stainless Steel Folding Shower Seat
 PFSSR Right Hand Padded Stainless Steel Folding Shower Seat
 PHSSL Left Hand Phenolic Folding Shower Seat
 PHSSR Right Hand Phenolic Folding Shower Seat

4.) Diverter Valve:

- DV Diverter Valve
 DVLR Ligature-resistant Diverter Valve
 PML1-MA2 Two Single Temp. Pneumatic Metering Valves
 (Used to divert water flow to either upper, lower, or both shower heads; for use with Mixing Valve options above)

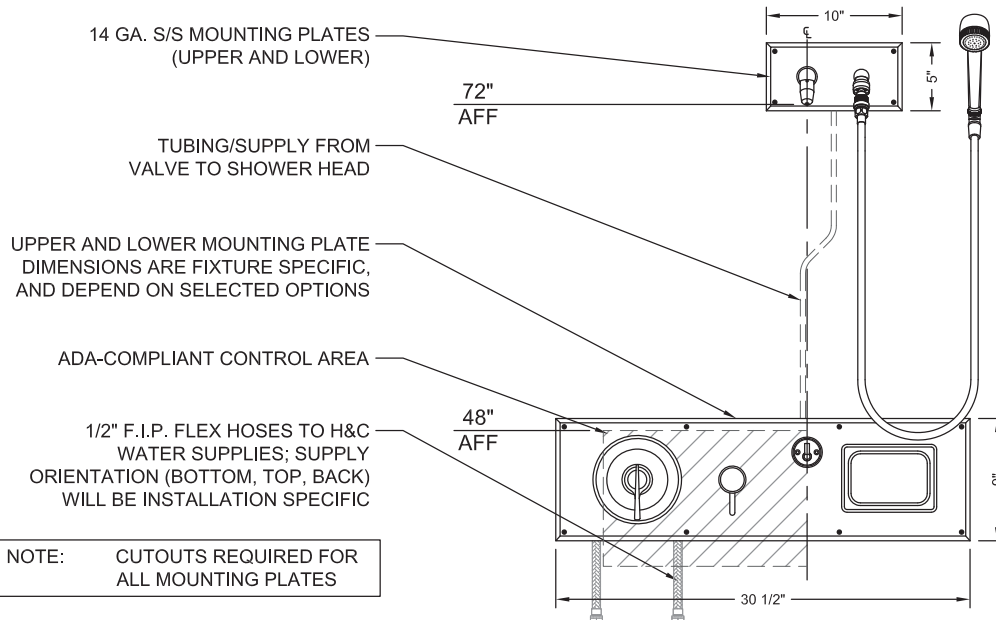
10.) Other Options:

- TF24H Hard-wired Transformer, 110VAC to 24VAC* (Standard)
 TF24P Plug-in Transformer, 110VAC to 24VAC*
 TMV Inline Thermostatic Mixing Valve
 HL Hi-Lo (2 Hooks For Flexshower)
 SLB24 24" Adjustable Slide Bar (for Flexshower, Wall Mounted)
 SD Surface Mounted Soap Dish
 RD Recessed Mounted Soap Dish
 GB Grab Bar (Wall Mounted, Specify Dimensions): _____
 CR Curtain Rod
 SC Shower Curtain
 Other _____

* (Req. 110V power through ground fault interrupter (GFCI) receptacle)

Approved For Manufacturing By: _____ Date: _____ Company: _____
 Wall Thickness: _____ Wall Type: _____

VERIFY ALL DIMENSIONS WITH FACTORY PRIOR TO ROUGH-IN
 WILLOUGHBY RESERVES THE RIGHT TO MAKE CHANGES IN DESIGN AND DIMENSIONS WITHOUT FORMAL NOTICE AND WITHOUT INCURRING OBLIGATION.



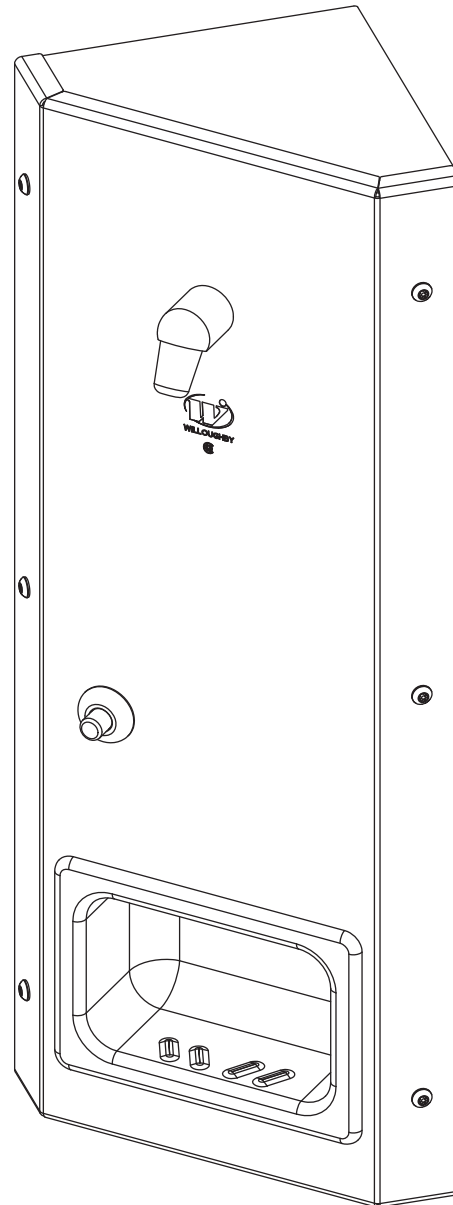
CWBIS-FA-ADA W/ (TPV) MIXING VALVE, (DV) DIVERter VALVE, (APS) SHOWER HEAD, (FX) FLEXSHOWER, AND (RD) SOAP DISH



visit our website at www.willoughby-ind.com
 5105 West 78th Street • Indianapolis, IN. 46268
 (317) 875-0830 • Fax: (317) 875-0837 • (800) 428-4065

MADE IN THE U.S.A.

CWKS Series Surface Mounted Corner Wall Shower



Recommended Specifications

Surface Mounted Corner Wall Shower shall be:
Willoughby Model No. **CWKS**
(Select from model number and options list on next page)

Shower cabinet shall be fabricated from 16 gauge, Type 304 stainless steel with exposed stainless surfaces polished to a #4 satin finish. Wall bracket shall be fabricated from 16 gauge, Type 304 stainless steel.

Standard equipment shall include:

- Shower valves (from Valve Selection options list)
- Shower head (from Shower Head Selection options list)
- Mounting bracket

Shower face plate shall attach to mounting bracket with vandal resistant stainless steel security screws. Mounting bracket anchoring hardware by others. Unit requires no chase area for installation and maintenance.

(Unit may be shown with optional features)

To specify fixture and accessories, use the Model Number and Options page.
Example: To specify a Surface Mounted Corner Wall Shower with single-temp pneumatic valving, standard pneumatic push button, standard 2.5 GPM flow rate, NPS non-adjustable vandal-resistant shower head, and recessed soap dish

Use the following Willoughby Model Number:
CWKS-PML1-PPB-2.5-NPS-RD

MODEL NUMBER AND OPTIONS:

1.) Base Model Number:

- CWKS Surface Mounted Corner Wall Shower

5.) Electronic Control* (Must Use Electronic Push Button):

- WUSC-2200 WUSC-2400 Pneutronic

2.) Valve Selection:

- NV No Valve
 PML1 Single Temp. Pneumatic Metering
 PML2 Dual Temp. Pneumatic Metering
 E1L1 Single Temp. Electronic (w/ Pneutronic Control)*
 E1L2 Dual Temp. Electronic (w/ Pneutronic Control)*
 PBV Pressure-Balancing Mixing Valve
 TPV Temperature/Pressure-Balancing Mixing Valve
 TPLR Ligature-resistant Temp/Pressure-balancing Mixing Valve
 SVC Single Temp. Compression Valve
 DVC Dual Temp. Compression Valves

6.) Shower Head Selection:

- APS Adjustable Vandal-resistant Shower Head
 NPS Non-Adjustable Vandal-resistant Shower Head
 UBJ Universal Ball Joint Shower Head
 LBJ Lockable Ball Joint Shower Head
 CSH Ligature-resistant Shower Head
 FX Hand-held Flexshower Head (w/ quick disconnect, vacuum breaker, and (1) hook)

3.) Push Button Selection:

Pneumatic or Electronic Valves Only:

- PPB Pneumatic Push Buttons
 PBH Ligature-resistant Push Buttons
 EPB Electronic Push Buttons*
 EPBH Ligature-resistant Electronic Push Buttons*
 PZPB Piezo Electronic Push Buttons*

7.) Other Options:

- TF24H Hard-wired Transformer, 110VAC to 24VAC* (Standard)
 TF24P Plug-in Transformer, 110VAC to 24VAC*
 TMV Inline Thermostatic Mixing Valve
 SLB24 24" Adjustable Slide Bar (for Flexshower, Wall Mounted)
 SD Surface Mounted Soap Dish
 RD Recessed Mounted Soap Dish
 GB Grab Bar (Wall Mounted, Specify Dimensions):

PS Pipe Shroud (Specify Length): _____

Other _____

Other _____

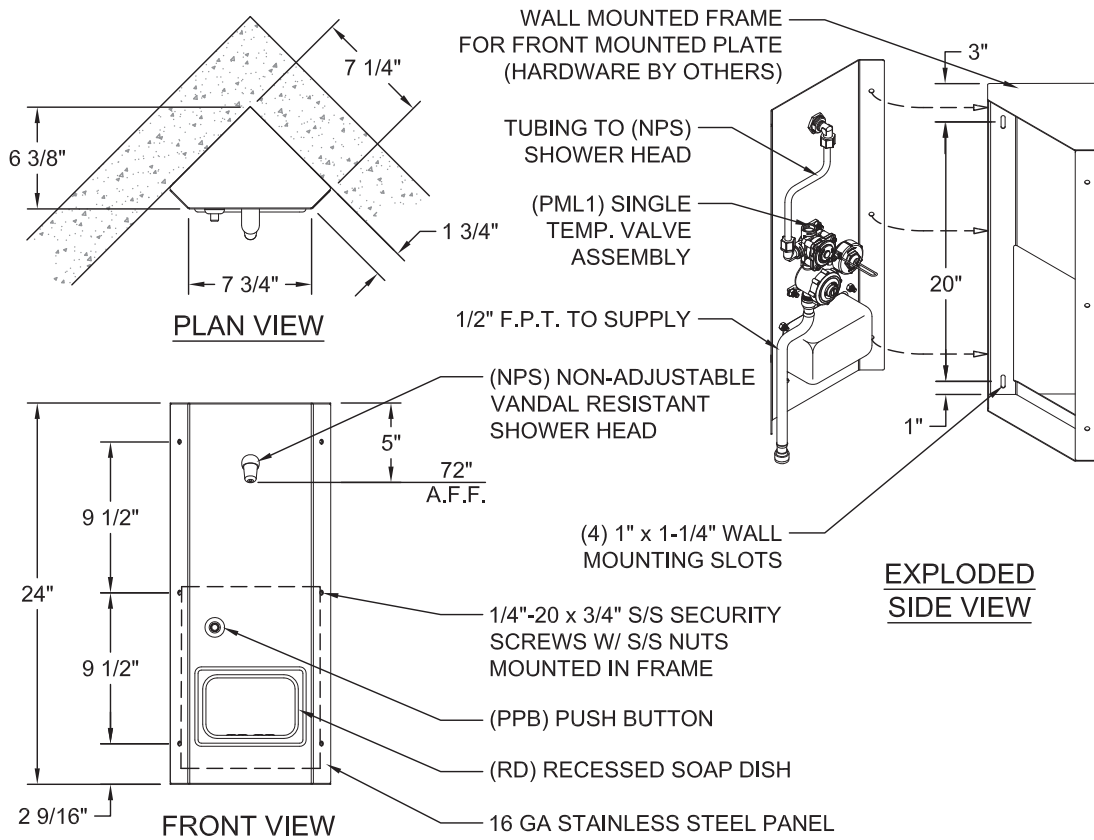
* (Req. 110V power through ground fault interrupter (GFCI) receptacle)

4.) Flow Rates:

- 2.5 GPM (Standard) 2.0 GPM 1.5 GPM

Approved For Manufacturing By: _____ Date: _____ Company: _____
 Wall Thickness: _____ Wall Type: _____

VERIFY ALL DIMENSIONS WITH FACTORY PRIOR TO ROUGH-IN
 WILLOUGHBY RESERVES THE RIGHT TO MAKE CHANGES IN DESIGN AND DIMENSIONS WITHOUT FORMAL NOTICE AND WITHOUT INCURRING OBLIGATION.



visit our website at www.willoughby-ind.com
 5105 West 78th Street • Indianapolis, IN. 46268
 (317) 875-0830 • Fax: (317) 875-0837 • (800) 428-4065



MADE IN THE U.S.A.

CWKS-HCA Series Handicap Accessible Surface Mounted Corner Wall Shower



Recommended Specifications

Handicap Accessible, Surface Mounted Corner Wall Shower shall be: Willoughby Model No. **CWKS-HCA**
(Select from model number and options list on next page)

Shower cabinet shall be fabricated from 16 gauge, Type 304 stainless steel with exposed stainless surfaces polished to a #4 satin finish. Wall bracket shall be fabricated from 16 gauge, Type 304 stainless steel.

Standard equipment shall include:

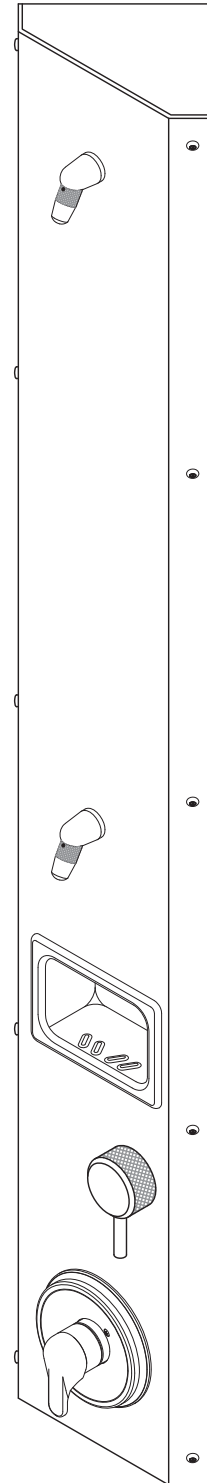
- Shower valves (from Valve Selection options list)
- Shower heads (from Shower Head Selection options list)
- Mounting bracket

Shower face plate shall attach to mounting bracket with vandal resistant stainless steel security screws. Mounting bracket anchoring hardware by others. Unit requires no chase area for installation and maintenance.

Handicap Accessible:

The CWKS-HCA corner shower will conform to most, but not all, ADA requirements.

(Compliance shall be subject to the requirements of the local code authority based on installation-specific details and is the responsibility of the installer.)



(Unit may be shown with optional features)

To specify fixture and accessories, use the Model Number and Options page.

Example: To specify a Handicap Accessible, Surface Mounted Corner Wall Shower with temp./ pressure-balancing mixing valve, diverter valve, standard 2.5 GPM flow rate, (2) APS adjustable vandal-resistant shower heads, and recessed soap dish

Use the following Willoughby Model Number:

CWKS-HCA-TPV-DV-2.5-APS-2HD-RD

visit our website at www.willoughby-ind.com
5105 West 78th Street • Indianapolis, IN. 46268
(317) 875-0830 • Fax: (317) 875-0837 • (800) 428-4065



MADE IN THE U.S.A.

MODEL NUMBER AND OPTIONS:

1.) Base Model Number:

- CWKS-HCA Handicap Accessible, Surface Mounted
Corner Wall Shower

2.) Valve Selection:

- NV No Valve
 PML1 Single Temp. Pneumatic Metering
 PML2 Dual Temp. Pneumatic Metering
 E1L1 Single Temp. Electronic (w/ Pneutronic Control)*
 E1L2 Dual Temp. Electronic (w/ Pneutronic Control)*
 PBV Pressure-Balancing Mixing Valve
 TPV Temperature/Pressure-Balancing Mixing Valve
 TPLR Ligature-resistant Temp/Pressure-balancing Mixing Valve
 SVC Single Temp. Compression Valve
 DVC Dual Temp. Compression Valves
 MA2 **Valve Manifold Option (Pneumatic or Electronic Valves Only):**
*(See the Manifold Option Page at the end of
Catalog Section C14 for further information)*

3.) Diverter Valve:

- DV Diverter Valve
 DVLR Ligature-resistant Diverter Valve
 PML1-MA2 Two Single Temp. Pneumatic Metering Valves
*(Used to divert water flow to either upper, lower, or both
shower heads; for use with Mixing Valve options above)*

4.) Push Button Selection:

Pneumatic or Electronic Valves Only:

- PPB Pneumatic Push Buttons
 PBH Ligature-resistant Push Buttons
 EPB Electronic Push Buttons*
 EPBH Ligature-resistant Electronic Push Buttons*
 PZPB Piezo Electronic Push Buttons*

5.) Flow Rates:

- 2.5 GPM (Standard) 2.0 GPM 1.5 GPM

6.) Electronic Control* (Must Use Electronic Push Button):

- WUSC-2200 WUSC-2400 Pneutronic

7.) Shower Head Selection:

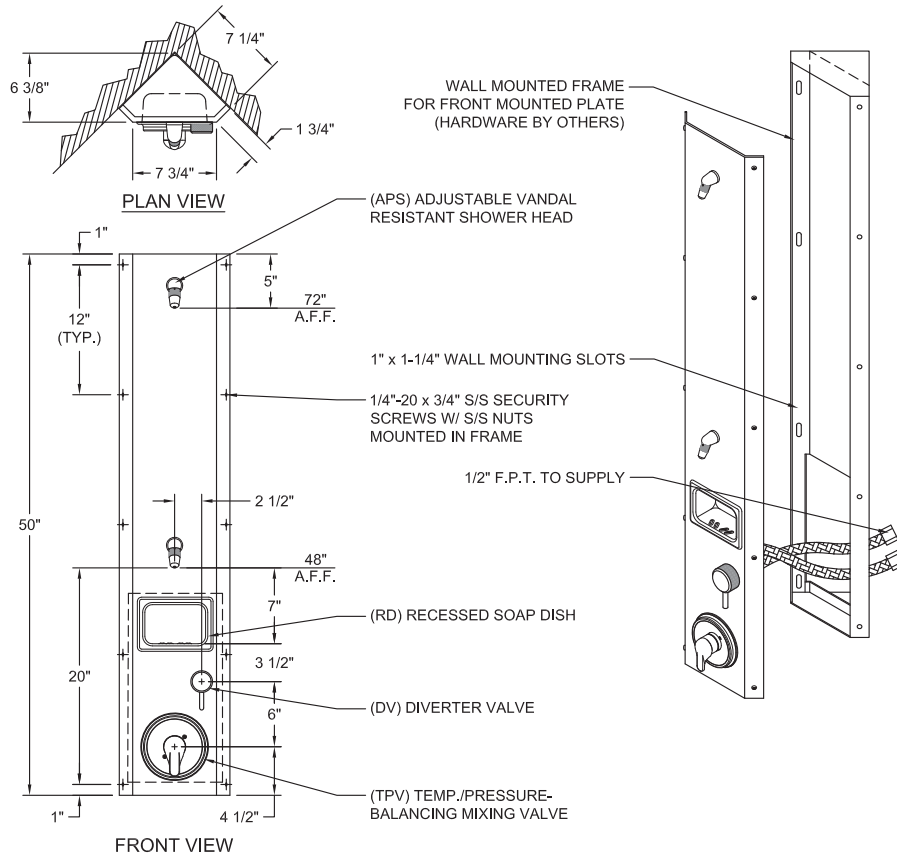
- APS Adjustable Vandal-resistant Shower Head
 NPS Non-Adjustable Vandal-resistant Shower Head
 UBJ Universal Ball Joint Shower Head
 LBJ Lockable Ball Joint Shower Head
 CSH Ligature-resistant Shower Head
 FX Hand-held Flexshower Head (w/ quick disconnect,
vacuum breaker, and (1) hook)
 2HD Dual Fixed Shower Heads (replaces (FX) Flexshower
head w/ second of the selected fixed Shower Head)

8.) Other Options:

- TF24H Hard-wired Transformer, 110VAC to 24VAC* (Standard)
 TF24P Plug-in Transformer, 110VAC to 24VAC*
 TMV Inline Thermostatic Mixing Valve
 HL Hi-Lo (2 Hooks For Flexshower)
 SLB24 24" Adjustable Slide Bar (for Flexshower, Wall Mounted)
 SD Surface Mounted Soap Dish
 RD Recessed Mounted Soap Dish
 GB Grab Bar (Wall Mounted, Specify Dimensions):
 PS Pipe Shroud (Specify Length): _____
 Other _____
 *(Req. 110V power through ground fault interrupter (GFCI) receptacle)

Approved For Manufacturing By: _____ Date: _____ Company: _____
 Wall Thickness: _____ Wall Type: _____

VERIFY ALL DIMENSIONS WITH FACTORY PRIOR TO ROUGH-IN
 WILLOUGHBY RESERVES THE RIGHT TO MAKE CHANGES IN DESIGN AND
 DIMENSIONS WITHOUT FORMAL NOTICE AND WITHOUT INCURRING OBLIGATION.



visit our website at www.willoughby-ind.com

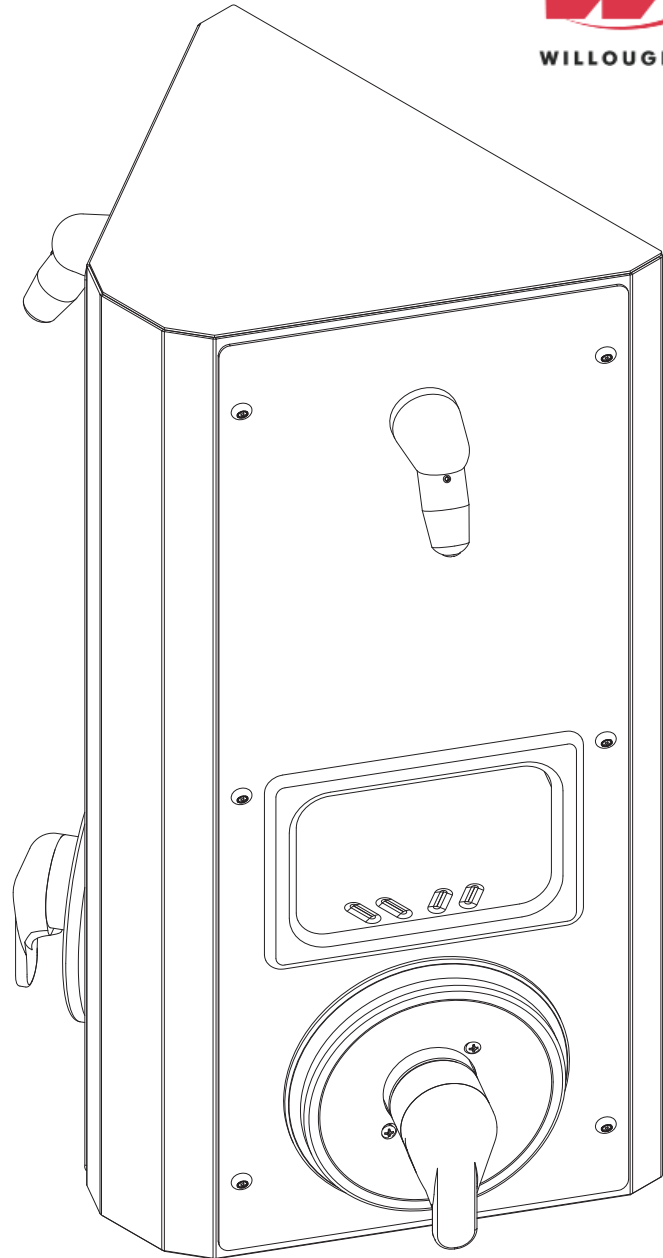
5105 West 78th Street • Indianapolis, IN. 46268

(317) 875-0830 • Fax: (317) 875-0837 • (800) 428-4065



MADE IN THE U.S.A.

CWDS Series Two Station Surface Mounted Wall Shower



Recommended Specifications

Two Station, Surface Mounted Wall Shower shall be:
Willoughby Model No. **CWDS**
(Select from model number and options list on next page)

Shower face plates shall be fabricated from 16 gauge, Type 304 stainless steel with exposed stainless surfaces polished to a #4 satin finish. Wall bracket shall be fabricated from 16 gauge, Type 304 stainless steel.

Standard equipment shall include:

- Shower valves (from Valve Selection options list)
- Shower heads (from Shower Head Selection options list)
- Mounting bracket

Shower face plate shall attach to mounting bracket with vandal resistant stainless steel security screws. Mounting bracket anchoring hardware by others. Unit requires no chase area for installation and maintenance.

(Unit may be shown with optional features)

To specify fixture and accessories, use the Model Number and Options page.

Example: To specify a Two Station, Surface Mounted Wall Shower with temp./pressure-balancing mixing valves, standard 2.5 GPM flow rate, APS adjustable vandal-resistant shower heads, and recessed soap dishes

Use the following Willoughby Model Number:
CWDS-TPV-2.5-APS-RD

visit our website at www.willoughby-ind.com

5105 West 78th Street • Indianapolis, IN. 46268

(317) 875-0830 • Fax: (317) 875-0837 • (800) 428-4065



MADE IN THE U.S.A.

MODEL NUMBER AND OPTIONS:

1.) Base Model Number:

- CWDS Two Station, Surface Mounted Wall Shower

5.) Electronic Control* (Must Use Electronic Push Button):

- WUSC-2200 WUSC-2400 Pneutronic

2.) Valve Selection:

- NV No Valve
- PML1 Single Temp. Pneumatic Metering
- PML2 Dual Temp. Pneumatic Metering
- E1L1 Single Temp. Electronic (w/ Pneutronic Control)*
- E1L2 Dual Temp. Electronic (w/ Pneutronic Control)*
- PBV Pressure-Balancing Mixing Valve
- TPV Temperature/Pressure-Balancing Mixing Valve
- TPLR Ligature-resistant Temp/Pressure-balancing Mixing Valve
- SVC Single Temp. Compression Valve
- DVC Dual Temp. Compression Valves

6.) Shower Head Selection:

- APS Adjustable Vandal-resistant Shower Head
- NPS Non-Adjustable Vandal-resistant Shower Head
- UBJ Universal Ball Joint Shower Head
- LBJ Lockable Ball Joint Shower Head
- CSH Ligature-resistant Shower Head
- FX Hand-held Flexshower Head (w/ quick disconnect, vacuum breaker, and (1) hook)

3.) Push Button Selection:

Pneumatic or Electronic Valves Only:

- PPB Pneumatic Push Buttons
- PBH Ligature-resistant Push Buttons
- EPB Electronic Push Buttons*
- EPBH Ligature-resistant Electronic Push Buttons*
- PZPB Piezo Electronic Push Buttons*

7.) Other Options:

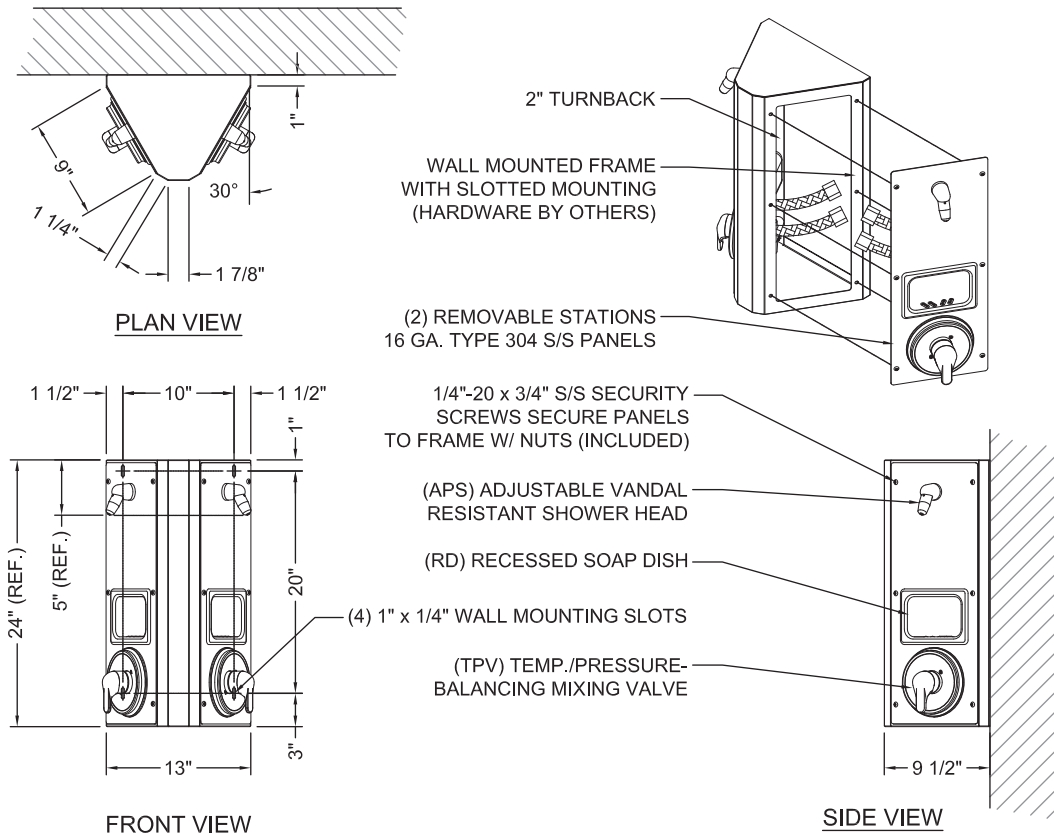
- TF24H Hard-wired Transformer, 110VAC to 24VAC* (Standard)
 - TF24P Plug-in Transformer, 110VAC to 24VAC*
 - TMV Inline Thermostatic Mixing Valve
 - SLB24 24" Adjustable Slide Bar (for Flexshower, Wall Mounted)
 - SD Surface Mounted Soap Dish
 - RD Recessed Mounted Soap Dish
 - GB Grab Bar (Wall Mounted, Specify Dimensions): _____
 - PS Pipe Shroud (Specify Length): _____
 - Other _____
 - Other _____
- * (Req. 110V power through ground fault interrupter (GFCI) receptacle)

4.) Flow Rates:

- 2.5 GPM (Standard) 2.0 GPM 1.5 GPM

Approved For Manufacturing By: _____ Date: _____ Company: _____
 Wall Thickness: _____ Wall Type: _____

VERIFY ALL DIMENSIONS WITH FACTORY PRIOR TO ROUGH-IN
 WILLOUGHBY RESERVES THE RIGHT TO MAKE CHANGES IN DESIGN AND DIMENSIONS WITHOUT FORMAL NOTICE AND WITHOUT INCURRING OBLIGATION.



visit our website at www.willoughby-ind.com
 5105 West 78th Street • Indianapolis, IN. 46268
 (317) 875-0830 • Fax: (317) 875-0837 • (800) 428-4065



MADE IN THE U.S.A.

CWDS-HCA Series Handicap Accessible Two Station Surface Mounted Wall Shower



Recommended Specifications

Handicap Accessible, Two Station, Surface Mounted Wall Shower shall be: Willoughby Model No. **CWDS-HCA**
(Select from model number and options list on next page)

Shower cabinet shall be fabricated from 16 gauge, Type 304 stainless steel with exposed stainless surfaces polished to a #4 satin finish. Wall bracket shall be fabricated from 16 gauge, Type 304 stainless steel.

Standard equipment shall include:

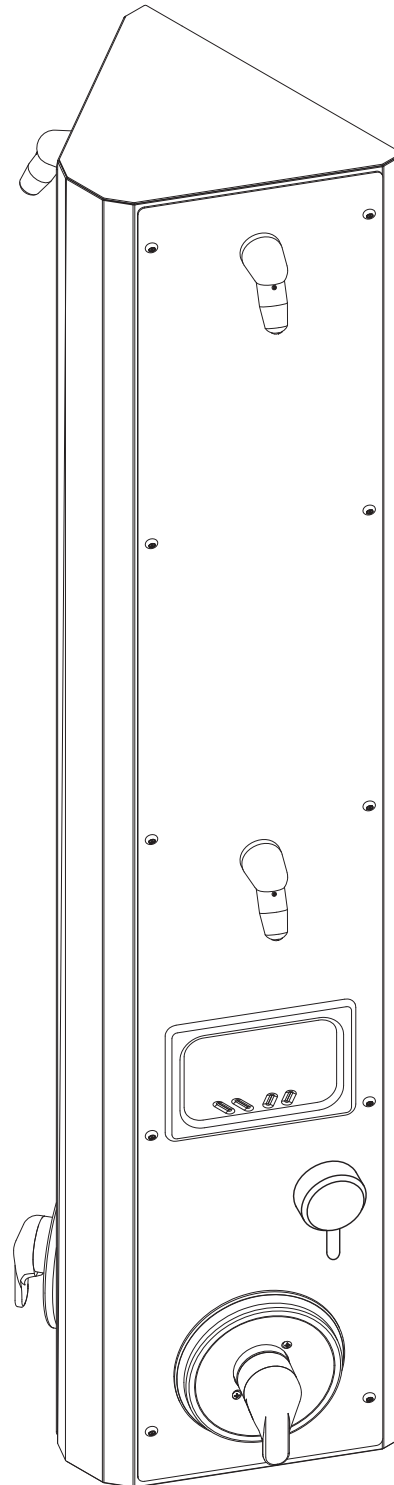
- Shower valves (from Valve Selection options list)
- Shower heads (from Shower Head Selection options list)
- Mounting bracket

Shower face plate shall attach to mounting bracket with vandal resistant stainless steel security screws. Mounting bracket anchoring hardware by others. Unit requires no chase area for installation and maintenance.

Handicap Accessible:

The CWDS-HCA surface mounted shower will conform to most, but not all, ADA requirements.

(Compliance shall be subject to the requirements of the local code authority based on installation-specific details and is the responsibility of the installer.)



(Unit may be shown with optional features)

To specify fixture and accessories, use the Model Number and Options page.

Example: To specify a Handicap Accessible, Two Station, Surface Mounted Wall Shower with temp./ pressure-balancing mixing valve, diverter valve, standard 2.5 GPM flow rate, (2) APS adjustable vandal-resistant shower heads, and recessed soap dish

Use the following Willoughby Model Number:

CWKS-HCA-TPV-DV-2.5-APS-2HD-RD

visit our website at www.willoughby-ind.com
5105 West 78th Street • Indianapolis, IN. 46268
(317) 875-0830 • Fax: (317) 875-0837 • (800) 428-4065



MADE IN THE U.S.A.

MODEL NUMBER AND OPTIONS:

1.) Base Model Number:

- CWDS-HCA Handicap Accessible, Two Station, Surface Mounted Wall Shower

2.) Valve Selection:

- NV No Valve
 PML1 Single Temp. Pneumatic Metering
 PML2 Dual Temp. Pneumatic Metering
 E1L1 Single Temp. Electronic (w/ Pneutronic Control)*
 E1L2 Dual Temp. Electronic (w/ Pneutronic Control)*
 PBV Pressure-Balancing Mixing Valve
 TPV Temperature/Pressure-Balancing Mixing Valve
 TPLR Ligature-resistant Temp/Pressure-balancing Mixing Valve
 SVC Single Temp. Compression Valve
 DVC Dual Temp. Compression Valves

3.) Diverter Valve:

- DV Diverter Valve
 DVLR Ligature-resistant Diverter Valve
 PML1-MA2 Two Single Temp. Pneumatic Metering Valves (Used to divert water flow to either upper, lower, or both shower heads; for use with Mixing Valve options above)

4.) Push Button Selection:

Pneumatic or Electronic Valves Only:

- PPB Pneumatic Push Buttons
 PBH Ligature-resistant Push Buttons
 EPB Electronic Push Buttons*
 EPBH Ligature-resistant Electronic Push Buttons*
 PZPB Piezo Electronic Push Buttons*

5.) Flow Rates:

- 2.5 GPM (Standard) 2.0 GPM 1.5 GPM

6.) Electronic Control* (Must Use Electronic Push Button):

- WUSC-2200 WUSC-2400 Pneutronic

7.) Shower Head Selection:

- APS Adjustable Vandal-resistant Shower Head
 NPS Non-Adjustable Vandal-resistant Shower Head
 UBJ Universal Ball Joint Shower Head
 LBJ Lockable Ball Joint Shower Head
 CSH Ligature-resistant Shower Head
 FX Hand-held Flexshower Head (w/ quick disconnect, vacuum breaker, and (1) hook)
 2HD Dual Fixed Shower Heads (replaces (FX) Flexshower head w/ second of the selected fixed Shower Head)

8.) Other Options:

- TF24H Hard-wired Transformer, 110VAC to 24VAC* (Standard)
 TF24P Plug-in Transformer, 110VAC to 24VAC*
 TMV Inline Thermostatic Mixing Valve
 HL Hi-Lo (2 Hooks For Flexshower)
 SLB24 24" Adjustable Slide Bar (for Flexshower, Wall Mounted)
 SD Surface Mounted Soap Dish
 RD Recessed Mounted Soap Dish
 GB Grab Bar (Wall Mounted, Specify Dimensions):

- PS Pipe Shroud (Specify Length): _____

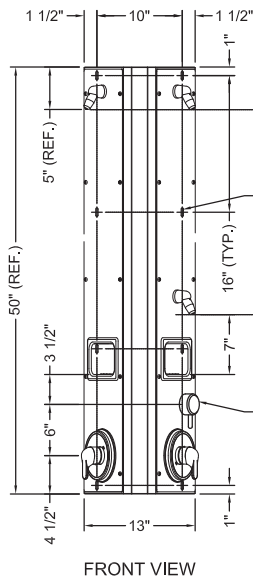
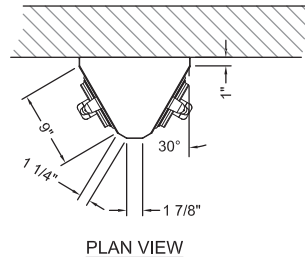
- Other _____

* (Req. 110V power through ground fault interrupter (GFCI) receptacle)

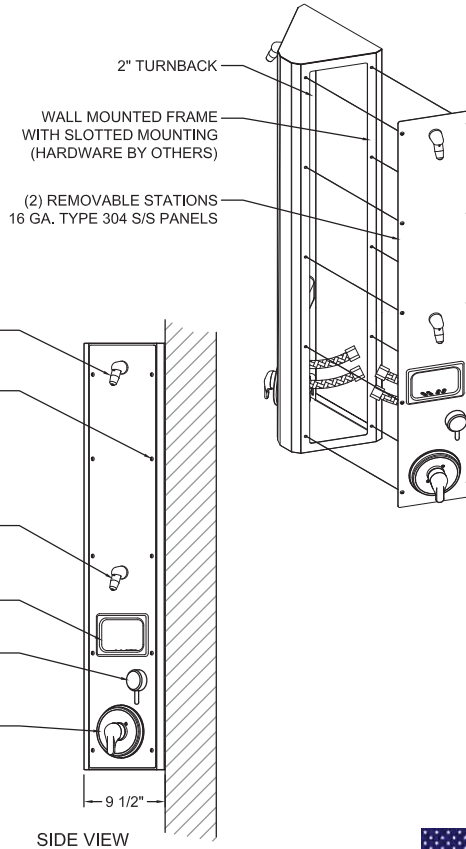
Approved For Manufacturing By: _____ Date: _____ Company: _____

Wall Thickness: _____ Wall Type: _____

VERIFY ALL DIMENSIONS WITH FACTORY PRIOR TO ROUGH-IN
 WILLOUGHBY RESERVES THE RIGHT TO MAKE CHANGES IN DESIGN AND DIMENSIONS WITHOUT FORMAL NOTICE AND WITHOUT INCURRING OBLIGATION.



- (APS) ADJUSTABLE VANDAL RESISTANT SHOWER HEAD
 1/4"-20 x 3/4" S/S SECURITY SCREWS SECURE PANELS TO FRAME W/ NUTS (INCLUDED)
 (8) 1" x 1/4" WALL MOUNTING SLOTS
 (APS) ADJUSTABLE VANDAL RESISTANT SHOWER HEAD
 (RD) RECESSED SOAP DISH
 (DV) DIVERTER VALVE
 HANDICAP ACCESSIBLE STATION
 (TPV) TEMP./PRESSURE-BALANCING MIXING VALVE



visit our website at www.willoughby-ind.com

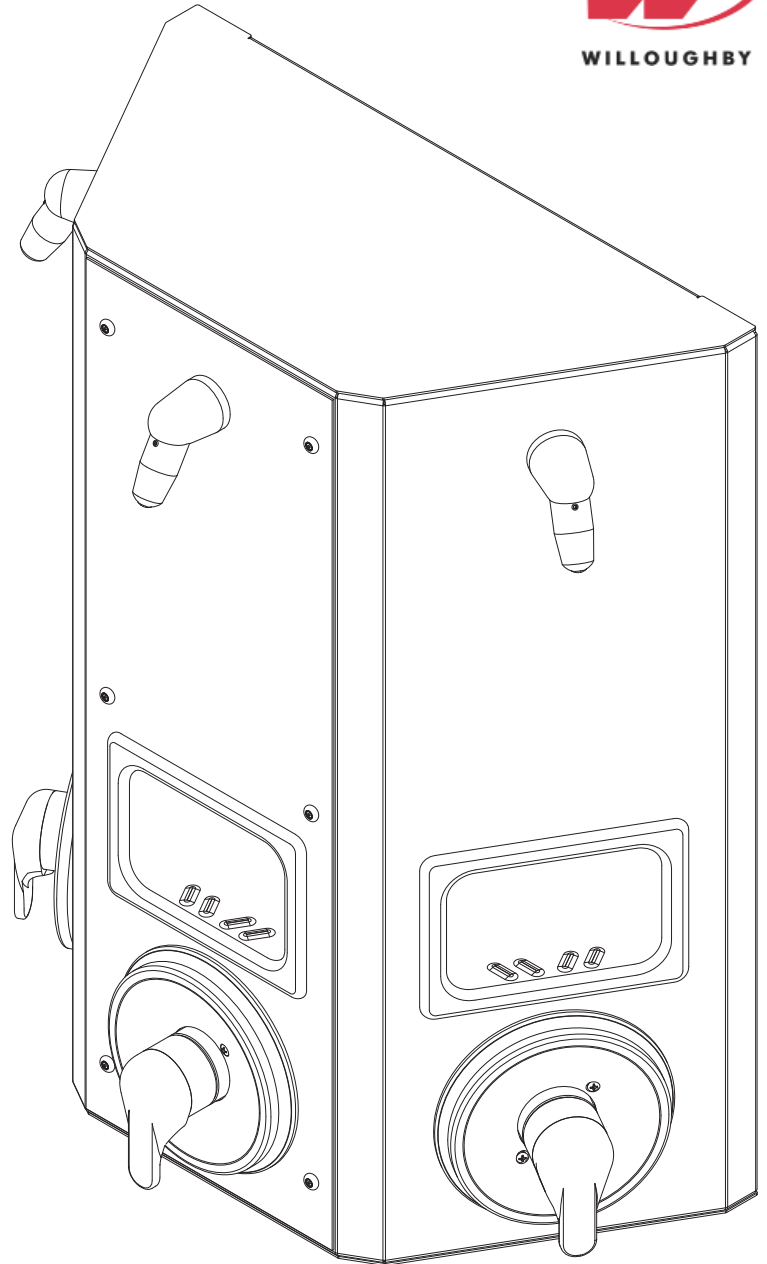
5105 West 78th Street • Indianapolis, IN. 46268

(317) 875-0830 • Fax: (317) 875-0837 • (800) 428-4065



MADE IN THE U.S.A.

CWTS Series Three Station Surface Mounted Wall Shower



Recommended Specifications

Three Station, Surface Mounted Wall Shower shall be:
Willoughby Model No. **CWTS**
(Select from model number and options list on next page)

Shower face plates shall be fabricated from 16 gauge,
Type 304 stainless steel with exposed stainless surfaces
polished to a #4 satin finish. Wall bracket shall be fabri-
cated from 16 gauge, Type 304 stainless steel.

Standard equipment shall include:

- Shower valves (from Valve Selection options list)
- Shower heads (from Shower Head Selection options list)
- Mounting bracket

Shower face plate shall attach to mounting bracket with
vandal resistant stainless steel security screws. Mounting
bracket anchoring hardware by others. Unit requires no
chase area for installation and maintenance.

(Unit may be shown with optional features)

To specify fixture and accessories, use the Model Number and Options page.

Example: To specify a Three Station, Surface Mounted Wall Shower with temp./pressure-balancing mixing valves, standard 2.5 GPM flow rate, APS adjustable vandal-resistant shower heads, and recessed soap dishes

Use the following Willoughby Model Number:
CWTS-TPV-2.5-APS-RD

MODEL NUMBER AND OPTIONS:

1.) Base Model Number:

- CWTS Surface Mounted, Three Station Wall Shower

2.) Valve Selection:

- NV No Valve
 PML1 Single Temp. Pneumatic Metering
 PML2 Dual Temp. Pneumatic Metering
 E1L1 Single Temp. Electronic (w/ Pneutronic Control)*
 E1L2 Dual Temp. Electronic (w/ Pneutronic Control)*
 PBV Pressure-Balancing Mixing Valve
 TPV Temperature/Pressure-Balancing Mixing Valve
 TPLR Ligature-resistant Temp/Pressure-balancing Mixing Valve
 SVC Single Temp. Compression Valve
 DVC Dual Temp. Compression Valves

3.) Push Button Selection:

Pneumatic or Electronic Valves Only:

- PPB Pneumatic Push Buttons
 PBH Ligature-resistant Push Buttons
 EPB Electronic Push Buttons*
 EPBH Ligature-resistant Electronic Push Buttons*
 PZPB Piezo Electronic Push Buttons*

4.) Flow Rates:

- 2.5 GPM (Standard) 2.0 GPM 1.5 GPM

5.) Electronic Control* (Must Use Electronic Push Button):

- WUSC-2200 WUSC-2400 Pneutronic

6.) Shower Head Selection:

- APS Adjustable Vandal-resistant Shower Head
 NPS Non-Adjustable Vandal-resistant Shower Head
 UBJ Universal Ball Joint Shower Head
 LBJ Lockable Ball Joint Shower Head
 CSH Ligature-resistant Shower Head
 FX Hand-held Flexshower Head (w/ quick disconnect, vacuum breaker, and (1) hook)

7.) Other Options:

- TF24H Hard-wired Transformer, 110VAC to 24VAC* (Standard)
 TF24P Plug-in Transformer, 110VAC to 24VAC*
 TMV Inline Thermostatic Mixing Valve
 SLB24 24" Adjustable Slide Bar (for Flexshower, Wall Mounted)
 SD Surface Mounted Soap Dish
 RD Recessed Mounted Soap Dish
 GB Grab Bar (Wall Mounted, Specify Dimensions):

PS Pipe Shroud (Specify Length): _____

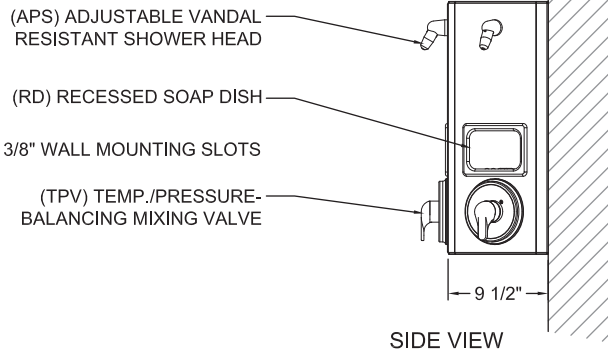
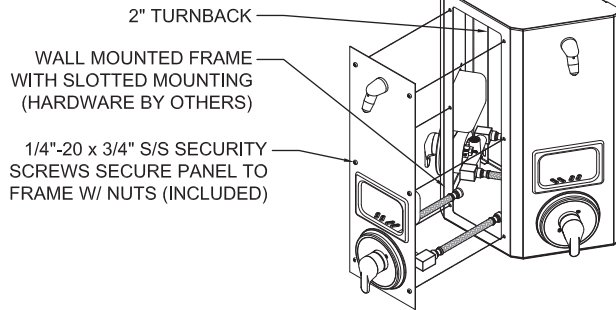
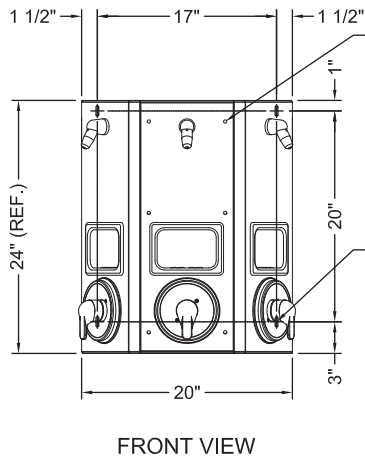
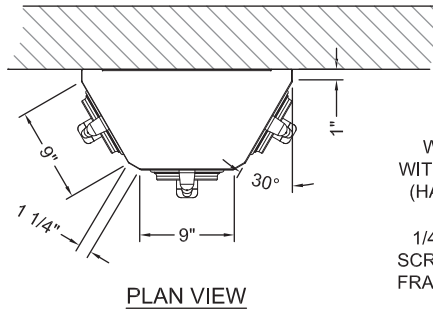
Other _____

Other _____

* (Req. 110V power through ground fault interrupter (GFCI) receptacle)

Approved For Manufacturing By: _____ Date: _____ Company: _____
 Wall Thickness: _____ Wall Type: _____

VERIFY ALL DIMENSIONS WITH FACTORY PRIOR TO ROUGH-IN
 WILLOUGHBY RESERVES THE RIGHT TO MAKE CHANGES IN DESIGN AND DIMENSIONS WITHOUT FORMAL NOTICE AND WITHOUT INCURRING OBLIGATION.

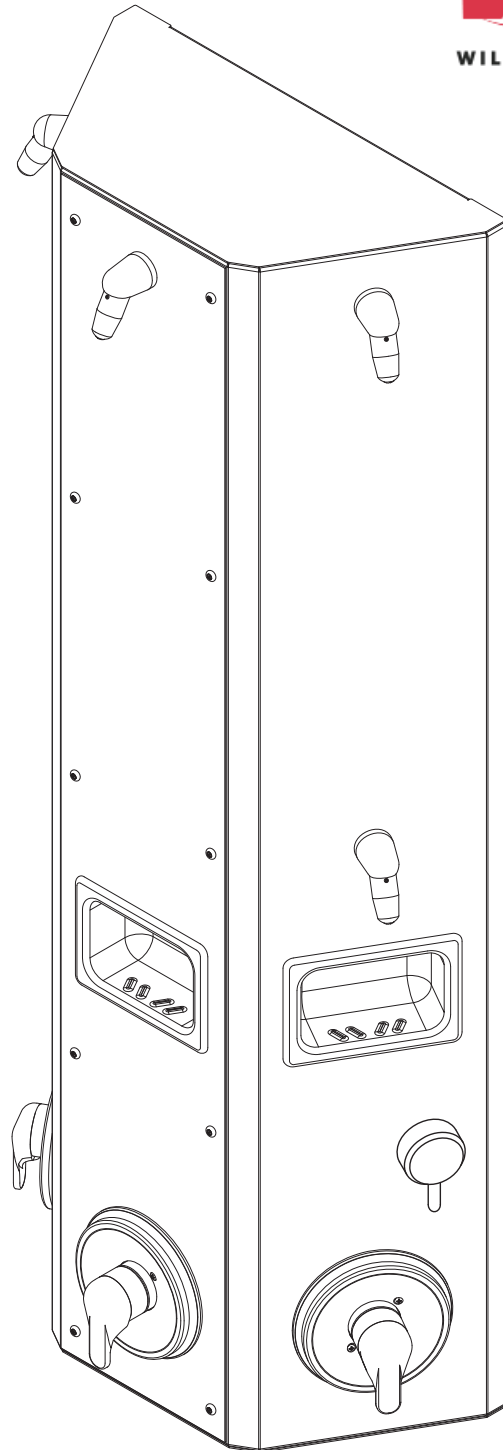


visit our website at www.willoughby-ind.com
 5105 West 78th Street • Indianapolis, IN. 46268
 (317) 875-0830 • Fax: (317) 875-0837 • (800) 428-4065



MADE IN THE U.S.A.

CWTS-HCA Series Handicap Accessible Three Station Surface Mounted Wall Shower



Recommended Specifications

Handicap Accessible, Three Station, Surface Mounted Wall Shower shall be: Willoughby Model No. **CWTS-HCA**
(Select from model number and options list on next page)

Shower cabinet shall be fabricated from 16 gauge, Type 304 stainless steel with exposed stainless surfaces polished to a #4 satin finish. Wall bracket shall be fabricated from 16 gauge, Type 304 stainless steel.

Standard equipment shall include:

- Shower valves (from Valve Selection options list)
- Shower head (from Shower Head Selection options list)
- Mounting bracket

Shower face plate shall attach to mounting bracket with vandal resistant stainless steel security screws. Mounting bracket anchoring hardware by others. Unit requires no chase area for installation and maintenance.

Handicap Accessible:

The CWTS-HCA surface mounted shower will conform to most, but not all, ADA requirements.

(Compliance shall be subject to the requirements of the local code authority based on installation-specific details and is the responsibility of the installer.)

RIGHT HAND HCA STATION SHOWN
(Unit may be shown with optional features)

To specify fixture and accessories, use the Model Number and Options page.

Example: To specify a Handicap Accessible, Three Station, Surface Mounted Wall Shower with right hand HCA shower station, temp./pressure-balancing mixing valve, diverter valve, 2.5 GPM flow rate, (2) APS adjustable vandal-resistant shower heads, and recessed soap dish

Use the following Willoughby Model Number:

CWTS-HCA-R-TPV-DV-2.5-APS-2HD-RD

visit our website at www.willoughby-ind.com
5105 West 78th Street • Indianapolis, IN. 46268
(317) 875-0830 • Fax: (317) 875-0837 • (800) 428-4065



MADE IN THE U.S.A.

MODEL NUMBER AND OPTIONS:

1.) Base Model Number:

- CWTS-HCA-R Handicap Accessible, Three Station, Surface Mounted Wall Shower, Right Hand HCA Shower Station
- CWTS-HCA-L Handicap Accessible, Three Station, Surface Mounted Wall Shower, Left Hand HCA Shower Station

2.) Valve Selection:

- NV No Valve
- PML1 Single Temp. Pneumatic Metering
- PML2 Dual Temp. Pneumatic Metering
- E1L1 Single Temp. Electronic (w/ Pneutronic Control)*
- E1L2 Dual Temp. Electronic (w/ Pneutronic Control)*
- PBV Pressure-Balancing Mixing Valve
- TPV Temperature/Pressure-Balancing Mixing Valve
- TPLR Ligature-resistant Temp/Pressure-balancing Mixing Valve
- SVC Single Temp. Compression Valve
- DVC Dual Temp. Compression Valves

3.) Diverter Valve:

- DV Diverter Valve
- DVLR Ligature-resistant Diverter Valve
- PML1-MA2 Two Single Temp. Pneumatic Metering Valves (Used to divert water flow to either upper, lower, or both shower heads; for use with Mixing Valve options above)

4.) Push Button Selection:

Pneumatic or Electronic Valves Only:

- PPB Pneumatic Push Buttons
- PBH Ligature-resistant Push Buttons
- EPB Electronic Push Buttons*
- EPBH Ligature-resistant Electronic Push Buttons*
- PZPB Piezo Electronic Push Buttons*

5.) Flow Rates:

- 2.5 GPM (Standard)
- 2.0 GPM
- 1.5 GPM

6.) Electronic Control* (Must Use Electronic Push Button):

- WUSC-2200
- WUSC-2400
- Pneutronic

7.) Shower Head Selection:

- APS Adjustable Vandal-resistant Shower Head
- NPS Non-Adjustable Vandal-resistant Shower Head
- UBJ Universal Ball Joint Shower Head
- LBJ Lockable Ball Joint Shower Head
- CSH Ligature-resistant Shower Head
- FX Hand-held Flexshower Head (w/ quick disconnect, vacuum breaker, and (1) hook)
- 2HD Dual Fixed Shower Heads (replaces (FX) Flexshower head w/ second of the selected fixed Shower Head)

8.) Other Options:

- TF24H Hard-wired Transformer, 110VAC to 24VAC* (Standard)
- TF24P Plug-in Transformer, 110VAC to 24VAC*
- TMV Inline Thermostatic Mixing Valve
- HL Hi-Lo (2 Hooks For Flexshower)
- SLB24 24" Adjustable Slide Bar (for Flexshower, Wall Mounted)
- SD Surface Mounted Soap Dish
- RD Recessed Mounted Soap Dish
- GB Grab Bar (Wall Mounted, Specify Dimensions):

- PS Pipe Shroud (Specify Length):

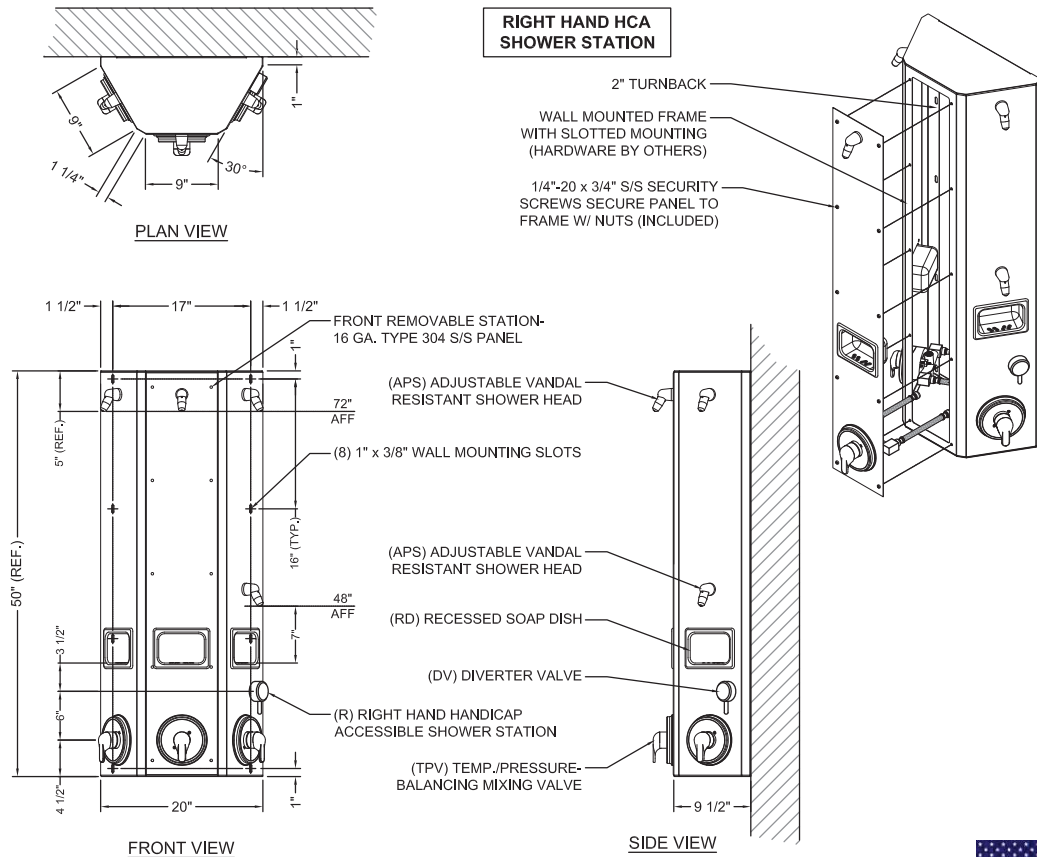
Other _____

*(Req. 110V power through ground fault interrupter (GFCI) receptacle)

Approved For Manufacturing By: _____ Date: _____ Company: _____

Wall Thickness: _____ Wall Type: _____

VERIFY ALL DIMENSIONS WITH FACTORY PRIOR TO ROUGH-IN
 WILLOUGHBY RESERVES THE RIGHT TO MAKE CHANGES IN DESIGN AND DIMENSIONS WITHOUT FORMAL NOTICE AND WITHOUT INCURRING OBLIGATION.



visit our website at www.willoughby-ind.com

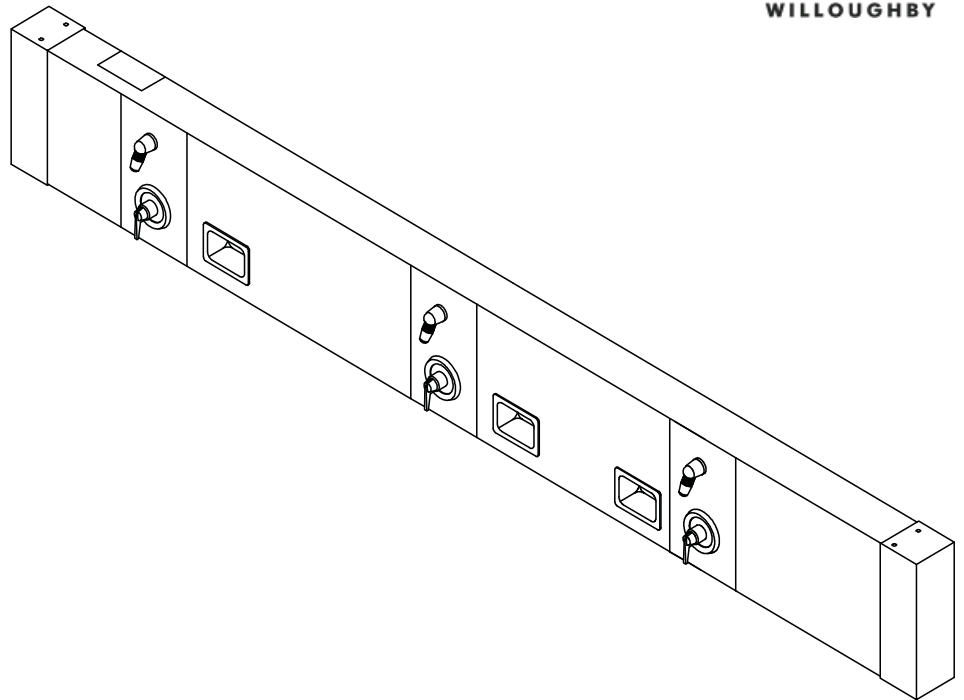
5105 West 78th Street • Indianapolis, IN. 46268

(317) 875-0830 • Fax: (317) 875-0837 • (800) 428-4065



MADE IN THE U.S.A.

CWCWS Series Continuous Wall Shower



(Unit may be shown with optional features)

To specify fixture and accessories, use the Model Number and Options page.

Example: To specify a Continuous Wall Shower system with (3) stations, temp./pressure-balancing mixing valves, standard 2.5 GPM flow rate, standard APS adjustable vandal-resistant shower heads, and recessed soap dishes

Use the following Willoughby Model Number:
CWCWS-3-TPV-2.5-APS-RD

Recommended Specifications

Continuous Wall Shower system shall be:
Willoughby Model No. **CWCWS**
(Select from model number and options list on next page)

Shower housing shall be fabricated from 16 gauge, Type 304 stainless steel with exposed stainless surfaces polished to a #4 satin finish.

Standard equipment shall include:

- Shower valves (from Valve Selection options list)
- Shower heads (from Shower Head Selection options list)
- Individual shower station panels fastened with vandal resistant security screws

Standard spacing between shower heads shall be 36"

Shower unit shall be factory pre-piped, tested for proper operation and ready for installation by contractor. Anchoring shall be by mounting bracket with Uni-Strut for supplies, with anchoring hardware by others. Unit requires no chase area for installation and maintenance.

Note: Continuous wall shower systems are designed for each specific application. **Contractor shall furnish to manufacturer exact field dimensions prior to fabrication.**

NUMBER OF SHOWER HEADS	INLET DIAMETER*
1 TO 4	3/4"
5 TO 8	1"
9 TO 11	1 1/4"
12+	1 1/2"

*BASED ON 45 PSI INLET PRESSURE

visit our website at www.willoughby-ind.com
5105 West 78th Street • Indianapolis, IN. 46268
(317) 875-0830 • Fax: (317) 875-0837 • (800) 428-4065



MADE IN THE U.S.A.

MODEL NUMBER AND OPTIONS:

1.) Base Model Number:

- CWCWS Continuous Wall Shower

2.) Shower Stations:

- Number of Shower Stations (must specify): _____

3.) Valve Selection:

- NV No Valve
- PML1 Single Temp. Pneumatic Metering
- PML2 Dual Temp. Pneumatic Metering
- E1L1 Single Temp. Electronic (w/ Pneutronic Control)*
- E1L2 Dual Temp. Electronic (w/ Pneutronic Control)*
- PBV Pressure-Balancing Mixing Valve
- TPV Temperature/Pressure-Balancing Mixing Valve
- TPLR Ligature-resistant Temp/Pressure-balancing Mixing Valve
- SVC Single Temp. Compression Valve
- DVC Dual Temp. Compression Valves
- MA2 **Valve Manifold Option** (Pneumatic or Electronic Valves Only):
(See the Manifold Option Page at the end of
Catalog Section C14 for further information)

4.) Push Button Selection:

Pneumatic or Electronic Valves Only:

- PPB Pneumatic Push Buttons
- PBH Ligature-resistant Push Buttons
- EPB Electronic Push Buttons*
- EPBH Ligature-resistant Electronic Push Buttons*
- PZPB Piezo Electronic Push Buttons*

5.) Flow Rates:

- 2.5 GPM (Standard) 2.0 GPM 1.5 GPM

6.) Electronic Control* (Must Use Electronic Push Button):

- WUSC-2200 WUSC-2400 Pneutronic

7.) Shower Head Selection:

- APS Adjustable Vandal-resistant Shower Head
- NPS Non-Adjustable Vandal-resistant Shower Head
- UBJ Universal Ball Joint Shower Head
- LBJ Lockable Ball Joint Shower Head
- CSH Ligature-resistant Shower Head
- FX Hand-held Flexshower Head (w/ quick disconnect, vacuum breaker, and (1) hook)

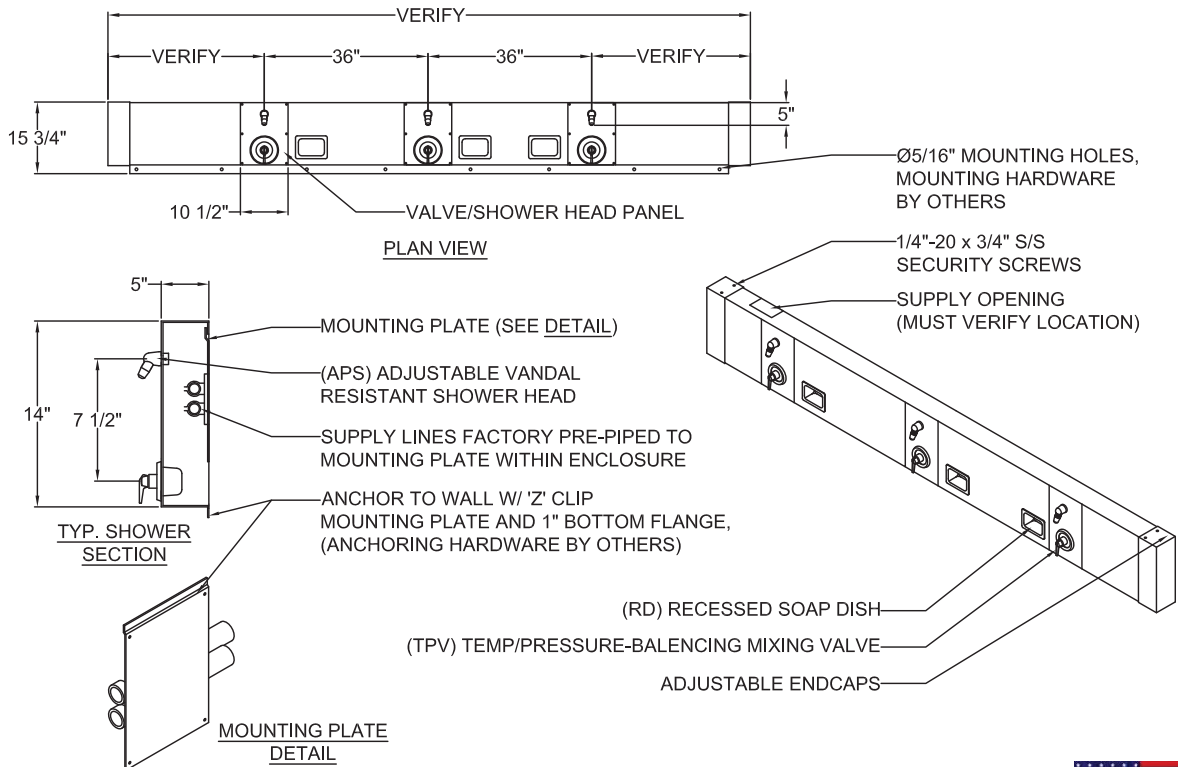
8.) Other Options:

- TF24H Hard-wired Transformer, 110VAC to 24VAC* (Standard)
 - TF24P Plug-in Transformer, 110VAC to 24VAC*
 - TMV Inline Thermostatic Mixing Valve
 - SD Surface Mounted Soap Dish
 - RD Recessed Mounted Soap Dish
 - GB Grab Bar (Wall Mounted, Specify Dimensions): _____
 - PS Pipe Shroud (Specify Length): _____
 - Other _____
 - Other _____
- * (Req. 110V power through ground fault interrupter (GFCI) receptacle)

Approved For Manufacturing By: _____ Date: _____ Company: _____
Wall Thickness: _____ Wall Type: _____

CONTRACTOR SHALL FURNISH TO MANUFACTURER EXACT FIELD DIMENSIONS PRIOR TO FABRICATION

VERIFY ALL DIMENSIONS WITH FACTORY PRIOR TO ROUGH-IN
WILLOUGHBY RESERVES THE RIGHT TO MAKE CHANGES IN DESIGN AND DIMENSIONS WITHOUT FORMAL NOTICE AND WITHOUT INCURRING OBLIGATION.

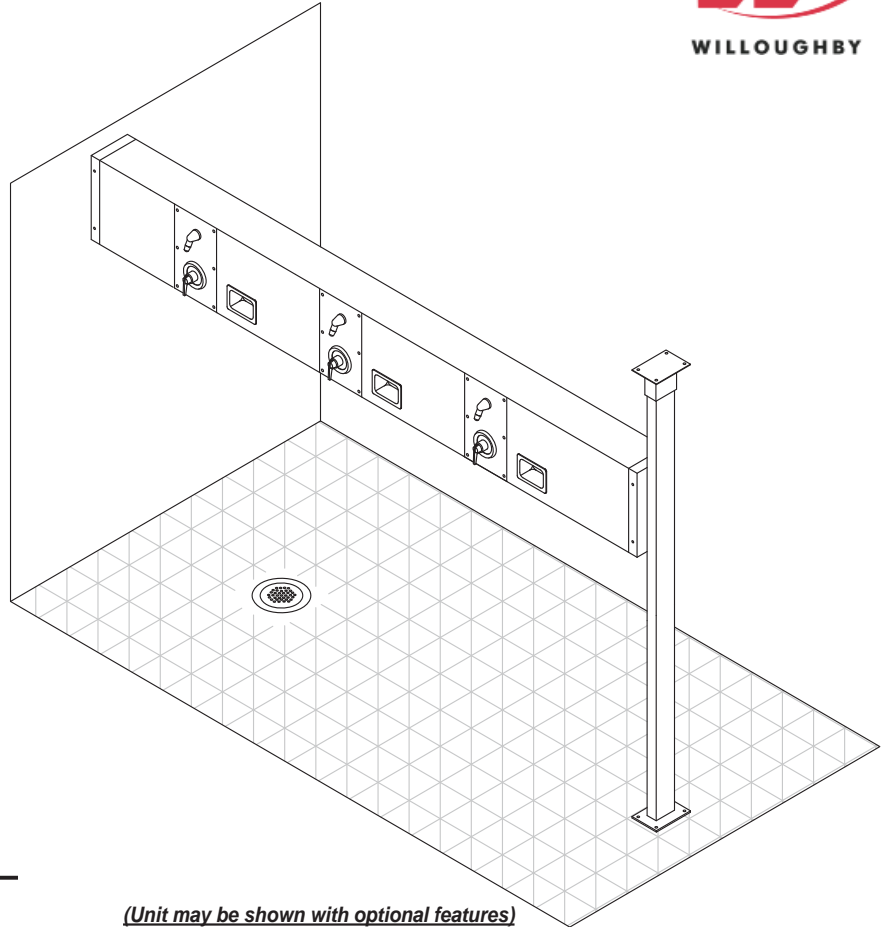


visit our website at www.willoughby-ind.com
5105 West 78th Street • Indianapolis, IN. 46268
(317) 875-0830 • Fax: (317) 875-0837 • (800) 428-4065



MADE IN THE U.S.A.

CWBTBS Series Back-to-Back Continuous Wall Shower



Recommended Specifications

Back-to-back Continuous Wall Shower system shall be:
Willoughby Model No. **CWBTBS**
(Select from model number and options list on next page)

Shower housing shall be fabricated from 16 gauge, Type 304 stainless steel with exposed stainless surfaces polished to a #4 satin finish.

Standard equipment shall include:

- Shower valves (from Valve Selection options list)
- Shower heads (from Shower Head Selection options list)
- Individual shower station panels fastened with vandal resistant security screws

Standard spacing between shower heads shall be 36"

Shower unit shall be factory pre-piped, tested for proper operation and ready for installation by contractor. Anchoring shall be by mounting bracket on the wall and floor mounted stanchion. Wall and floor anchoring hardware by others. Unit requires no chase area for installation and maintenance.

(Unit may be shown with optional features)

To specify fixture and accessories, use the Model Number and Options page.

Example: To specify a Back-to-back Continuous Wall Shower system with (3) stations, temp./pressure-balancing mixing valves, standard 2.5 GPM flow rate, standard APS adjustable vandal-resistant shower heads, individual checkstops, and recessed soap dishes

Use the following Willoughby Model Number:
CWBTBS-3-TPV-2.5-APS-GX-RD

Back to Back Continuous wall shower systems are designed for each specific application. **Contractor shall furnish to manufacturer exact field dimensions prior to fabrication.**

NUMBER OF SHOWER HEADS	INLET DIAMETER*
1 TO 4	3/4"
5 TO 8	1"
9 TO 11	1 1/4"
12+	1 1/2"

*BASED ON 45 PSI INLET PRESSURE

visit our website at www.willoughby-ind.com
5105 West 78th Street • Indianapolis, IN. 46268
(317) 875-0830 • Fax: (317) 875-0837 • (800) 428-4065



MADE IN THE U.S.A.

MODEL NUMBER AND OPTIONS:

1.) Base Model Number:

CWBTBS Back-to-Back Continuous Wall Shower

5.) Flow Rates:

2.5 GPM (Standard) 2.0 GPM 1.5 GPM

2.) Shower Stations:

Number of Non-handicap Shower Stations (must specify): _____

6.) Electronic Control* (Must Use Electronic Push Button):

WUSC-2200 WUSC-2400 Pneutronic

3.) Valve Selection:

- NV No Valve
- PML1 Single Temp. Pneumatic Metering
- PML2 Dual Temp. Pneumatic Metering
- E1L1 Single Temp. Electronic (w/ Pneutronic Control)*
- E1L2 Dual Temp. Electronic (w/ Pneutronic Control)*
- PBV Pressure-Balancing Mixing Valve
- TPV Temperature/Pressure-Balancing Mixing Valve
- TPLR Ligature-resistant Temp/Pressure-balancing Mixing Valve
- SVC Single Temp. Compression Valve
- DVC Dual Temp. Compression Valves
- MA2 **Valve Manifold Option** (Pneumatic or Electronic Valves Only):
(See the Manifold Option Page at the end of
Catalog Section C14 for further information)

7.) Shower Head Selection:

- APS Adjustable Vandal-resistant Shower Head
- NPS Non-Adjustable Vandal-resistant Shower Head
- UBJ Universal Ball Joint Shower Head
- LBJ Lockable Ball Joint Shower Head
- CSH Ligature-resistant Shower Head
- FX Hand-held Flexshower Head (w/ quick disconnect, vacuum breaker, and (1) hook)

8.) Other Options:

- TF24H Hard-wired Transformer, 110VAC to 24VAC* (Standard)
- TF24P Plug-in Transformer, 110VAC to 24VAC*
- TMV Inline Thermostatic Mixing Valve
- SD Surface Mounted Soap Dish
- RD Recessed Mounted Soap Dish
- PS Pipe Shroud (Specify Length): _____

4.) Push Button Selection:

Pneumatic or Electronic Valves Only:

- PPB Pneumatic Push Buttons
- PBH Ligature-resistant Push Buttons
- EPB Electronic Push Buttons*
- EPBH Ligature-resistant Electronic Push Buttons*
- PZPB Piezo Electronic Push Buttons*

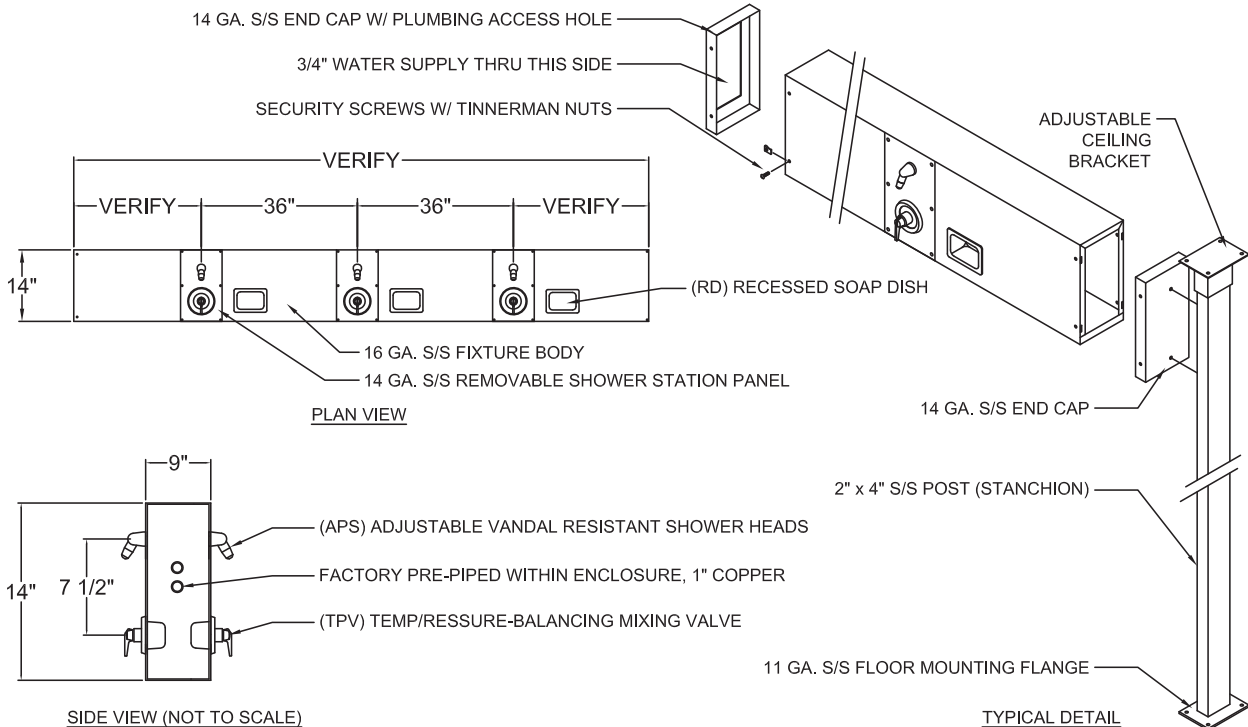
Other _____
 Other _____

* (Req. 110V power through ground fault interrupter (GFCI) receptacle)

Approved For Manufacturing By: _____ Date: _____ Company: _____
 Wall Thickness: _____ Wall Type: _____

CONTRACTOR SHALL FURNISH TO MANUFACTURER EXACT FIELD DIMENSIONS PRIOR TO FABRICATION

VERIFY ALL DIMENSIONS WITH FACTORY PRIOR TO ROUGH-IN
 WILLOUGHBY RESERVES THE RIGHT TO MAKE CHANGES IN DESIGN AND DIMENSIONS WITHOUT FORMAL NOTICE AND WITHOUT INCURRING OBLIGATION.

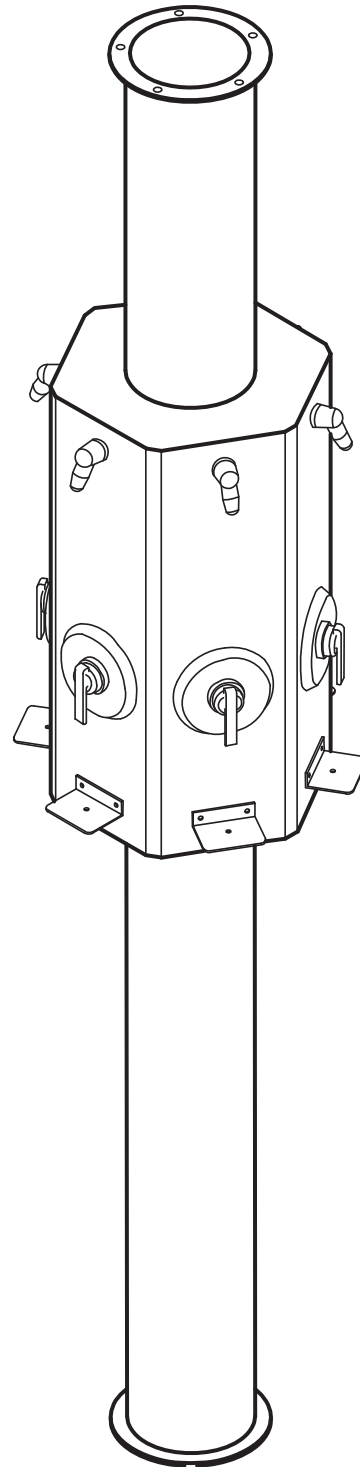


visit our website at www.willoughby-ind.com
 5105 West 78th Street • Indianapolis, IN. 46268
 (317) 875-0830 • Fax: (317) 875-0837 • (800) 428-4065



MADE IN THE U.S.A.

CWCSY Series 2-6 Station Type Y Column Shower



Recommended Specifications

Type Y column shower shall be:
Willoughby Model No. **CWCSY-___**
(Select from model number and options list on next page)

Shower column fabricated from 16 gauge, Type 304 stainless steel with exposed surfaces polished to a #4 satin finish.

Standard equipment shall include:

- Shower valves (from Valve Selection options list)
- Shower heads (from Shower Head Selection options list)
- Stainless steel drain fitting and access panel

Supplies are from above or below. Drain configuration shall be vented off line or vented through column.

Shower unit is factory assembled, tested for proper operation, and ready for installation by a contractor. Mounting bolts are provided for fastening column to drain fitting. Ceiling fasteners furnished by others.

(Unit may be shown with optional features)

To specify fixture and accessories, use the Model Number and Options page.

Example: To specify a CWCSY column shower with 6 stations, temp./pressure-balancing mixing valves, standard 2.5 GPM flow rate, standard APS adjustable vandal-resistant shower heads, supplies below/vent off line, surface mounted soap dishes, and ceiling anchor plate

Use the following Willoughby Model Number:
CWCSY-6-TPV-2.5-APS-A-CA-SD

visit our website at www.willoughby-ind.com
5105 West 78th Street • Indianapolis, IN. 46268
(317) 875-0830 • Fax: (317) 875-0837 • (800) 428-4065



MADE IN THE U.S.A.

MODEL NUMBER AND OPTIONS:

1.) Base Model Number:

CWCSY Type Y Column Shower

2.) Number Of Stations:

2 3 4 5 6

3.) Valve Selection:

- NV No Valve
- PML1 Single Temp. Pneumatic Metering
- PML2 Dual Temp. Pneumatic Metering
- E1L1 Single Temp. Electronic (w/ Pneutronic Control)*
- E1L2 Dual Temp. Electronic (w/ Pneutronic Control)*
- PBV Pressure-Balancing Mixing Valve
- TPV Temperature/Pressure-Balancing Mixing Valve
- TPLR Ligature-resistant Temp/Pressure-balancing Mixing Valve
- SVC Single Temp. Compression Valve
- DVC Dual Temp. Compression Valves

4.) Push Button Selection:

Pneumatic or Electronic Valves Only:

- PPB Pneumatic Push Buttons
- PBH Ligature-resistant Push Buttons
- EPB Electronic Push Buttons*
- EPBH Ligature-resistant Electronic Push Buttons*
- PZPB Piezo Electronic Push Buttons*

5.) Flow Rates:

2.5 GPM (Standard) 2.0 GPM 1.5 GPM

6.) Electronic Control* (Must Use Electronic Push Button):

WUSC-2200 WUSC-2400 Pneutronic

7.) Shower Head Selection:

- APS Adjustable Vandal-resistant Shower Head
- NPS Non-Adjustable Vandal-resistant Shower Head
- UBJ Universal Ball Joint Shower Head
- LBJ Lockable Ball Joint Shower Head
- CSH Ligature-resistant Shower Head
- FX Hand-held Flexshower Head (w/ quick disconnect, vacuum breaker, and (1) hook)

8.) Supply And Drain Type:

- A Supplies Below/Vent Off Line
- B Supplies Above/Vent Thru Column
- C Supplies Below/Vent Thru Column
- D Supplies Above/Vent Off Line

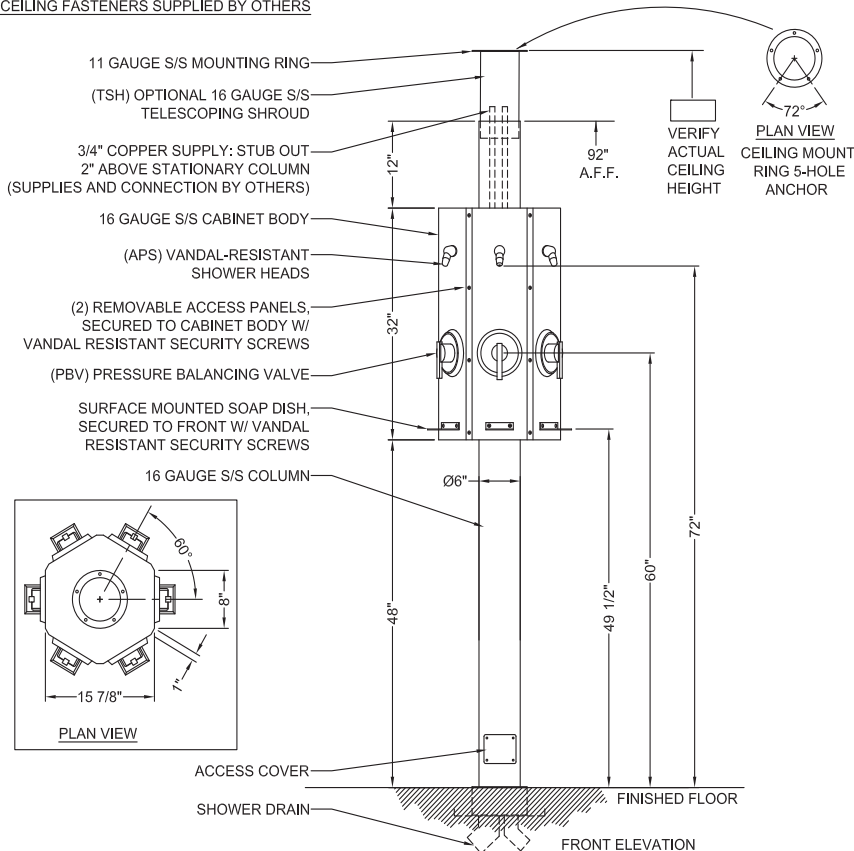
9.) Other Options:

- CA Ceiling Anchor
- HCA Handicap Accessible Shower Station (1 station will include: Diverter Valve, Hand-held Flexshower Head, and 1 Flexshower Hook)
- TF24H Hard-wired Transformer, 110VAC to 24VAC* (Standard)
- TF24P Plug-in Transformer, 110VAC to 24VAC*
- TMV Inline Thermostatic Mixing Valve
- SD Surface Mounted Soap Dish
- RD Recessed Mounted Soap Dish
- GB24V 24" Vertically-mounted Grab Bar (Mounted to Shower)
- TSH Telescoping Pipe Shroud (Specify Ceiling Height): _____
- USV Unit Shut-Off Valve
- Other _____
- Other _____

* (Req. 110V power through ground fault interrupter (GFCI) receptacle)

Approved For Manufacturing By: _____ Date: _____ Company: _____
 Wall Thickness: _____ Wall Type: _____

CEILING FASTENERS SUPPLIED BY OTHERS



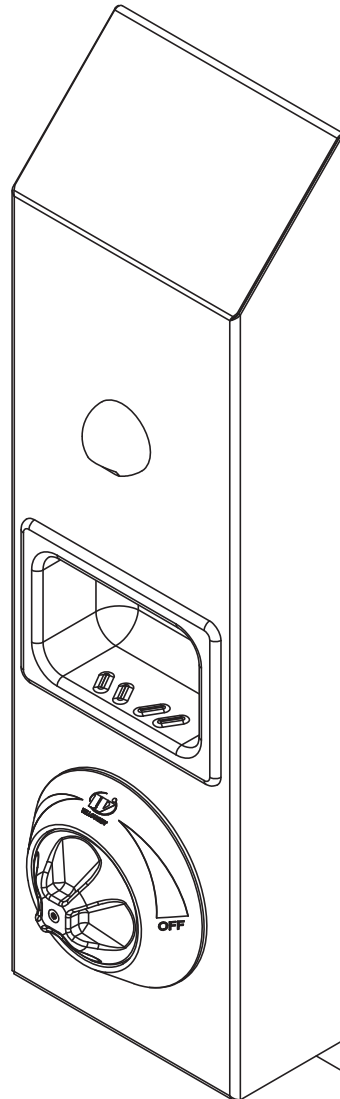
VERIFY ALL DIMENSIONS WITH FACTORY PRIOR TO ROUGH-IN
 WILLOUGHBY RESERVES THE RIGHT TO MAKE CHANGES IN DESIGN AND DIMENSIONS WITHOUT FORMAL NOTICE AND WITHOUT INCURRING OBLIGATION.

visit our website at www.willoughby-ind.com
 5105 West 78th Street • Indianapolis, IN. 46268
 (317) 875-0830 • Fax: (317) 875-0837 • (800) 428-4065



MADE IN THE U.S.A.

ASCWSMS Series Ligature-resistant Surface Mounted Wall Shower



Recommended Specifications

Single Station, Ligature-resistant, Surface Mounted Wall Shower shall be: Willoughby Model No. **ASCWSMS**
(Select from model number and options list on next page)

Shower panel shall be fabricated from 16 gauge, Type 304 stainless steel with exposed stainless surfaces polished to a #4 satin finish.

Standard equipment shall include:

- Shower valves (from Valve Selection options list)
- Ligature-resistant push buttons
- (CSH) ligature-resistant shower head
- Ligature-resistant sloped cabinet top
- Z-clip mounting bracket

Anchoring shall be by Z-clip and bottom flange with anchoring hardware by others. Shower unit shall be factory assembled, tested for proper operation, and ready for installation by a contractor. Unit requires no chase area for installation and maintenance.

(Unit may be shown with optional features)

To specify fixture and accessories, use the Model Number and Options page.

Example: To specify a Single Station, Ligature-resistant, Surface Mounted Wall Shower with ligature-resistant temp/pressure-balancing mixing valve, standard 2.5 GPM flow rate, standard CSH ligature-resistant shower head, and recessed soap dish

Use the following Willoughby Model Number:

ASCWSMS-TPLR-2.5-CSH-RD

visit our website at www.willoughby-ind.com

5105 West 78th Street • Indianapolis, IN. 46268

(317) 875-0830 • Fax: (317) 875-0837 • (800) 428-4065



MADE IN THE U.S.A.

MODEL NUMBER AND OPTIONS:

1.) Base Model Number:

ASCWSMS Ligature-resistant, Surface Mounted Wall Shower

5.) Electronic Control* (Must Use Electronic Push Button):

WUSC-2200 WUSC-2400 Pneutronic

2.) Valve Selection:

- NV No Valve
- PML1 Single Temp. Pneumatic Metering
- PML2 Dual Temp. Pneumatic Metering
- E1L1 Single Temp. Electronic (w/ Pneutronic Control)*
- E1L2 Dual Temp. Electronic (w/ Pneutronic Control)*
- TPLR Ligature-resistant Temp/Pressure-balancing Mixing Valve

6.) Shower Head Options:

CSH Ligature-resistant Shower Head (Standard)

7.) Other Options:

- TF24H Hard-wired Transformer, 110VAC to 24VAC* (Standard)
- TF24P Plug-in Transformer, 110VAC to 24VAC*
- TMV Inline Thermostatic Mixing Valve
- RD Recessed Mounted Soap Dish
- RSD2 Recessed Soap Dish (In-Wall Mounted)
- ASGB Ligature-resistant Grab Bar (Wall Mounted, Specify Dimensions):

3.) Push Button Selection:

Pneumatic or Electronic Valves Only:

- PBH Ligature-resistant Push Buttons
- EPBH Ligature-resistant Electronic Push Buttons*
- PZPB Piezo Electronic Push Buttons*

PS Pipe Shroud (Wall Mounted, Specify Length): _____

Other _____

Other _____

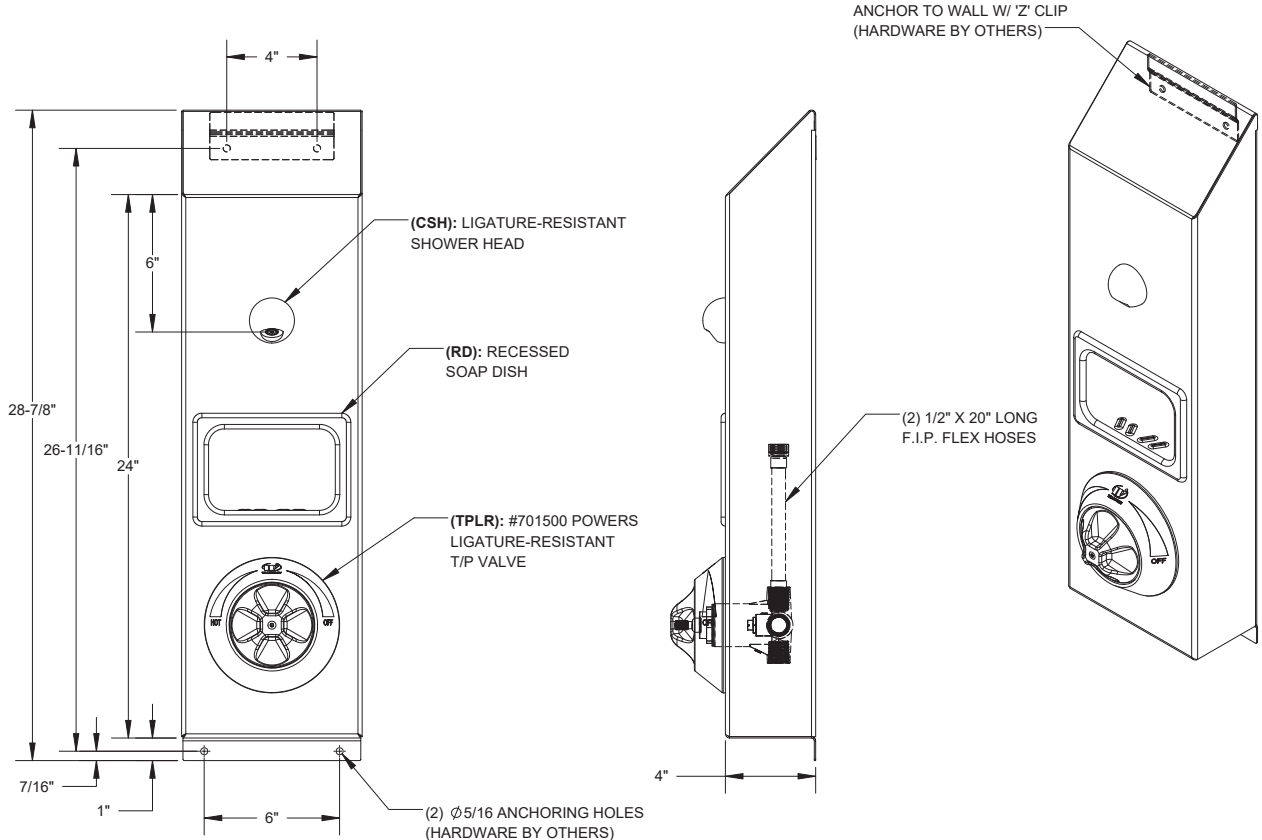
*(Req. 110V power through ground fault interrupter (GFCI) receptacle)

4.) Flow Rates:

2.5 GPM (Standard) 2.0 GPM 1.5 GPM

Approved For Manufacturing By: _____ Date: _____ Company: _____
 Wall Thickness: _____ Wall Type: _____

VERIFY ALL DIMENSIONS WITH FACTORY PRIOR TO ROUGH-IN
 WILLOUGHBY RESERVES THE RIGHT TO MAKE CHANGES IN DESIGN AND DIMENSIONS WITHOUT FORMAL NOTICE AND WITHOUT INCURRING OBLIGATION.



visit our website at www.willoughby-ind.com
 5105 West 78th Street • Indianapolis, IN. 46268
 (317) 875-0830 • Fax: (317) 875-0837 • (800) 428-4065



MADE IN THE U.S.A.

ASCWSMS-HCA-2HD Series Ligature-resistant Handicap Accessible Surface Mounted Wall Shower



Recommended Specifications

Ligature-resistant, Handicap Accessible, Surface Mounted Wall Shower shall be:

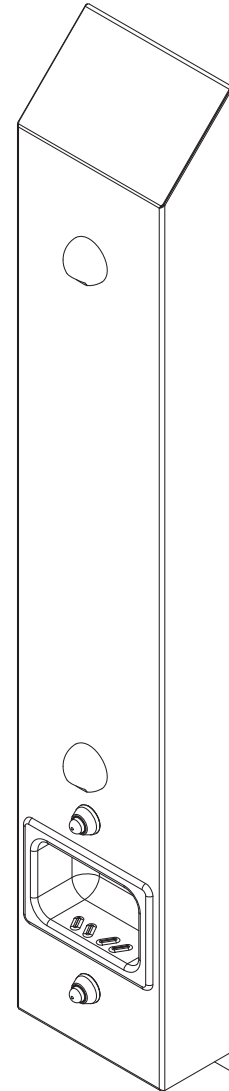
Willoughby Model No. **ASCWSMS-HCA-2HD**
(Select from model number and options list on next page)

Shower panel shall be fabricated from 16 gauge, Type 304 stainless steel with exposed stainless surfaces polished to a #4 satin finish.

Standard equipment shall include:

- Shower valves (from Valve Selection options list)
- Ligature-resistant push buttons
- (CSH) ligature-resistant shower heads
- Ligature-resistant sloped cabinet top
- Z-clip mounting bracket

Anchoring shall be by Z-clip and bottom flange with anchoring hardware by others. Shower unit shall be factory assembled, tested for proper operation, and ready for installation by a contractor. Unit requires no chase area for installation and maintenance.



(Unit may be shown with optional features)

To specify fixture and accessories, use the Model Number and Options page.

Example: To specify a Ligature-resistant, Handicap Accessible, Surface Mounted Wall Shower with single temp. pneumatic metering valves (manifolded), standard ligature-resistant pneumatic push buttons, standard 2.5 GPM flow rate, standard CSH ligature-resistant shower heads, thermostatic mixing valve, and recessed soap dish

Use the following Willoughby Model Number:

ASCWSMS-HCA-2HD-PML1-MA2-PBH-2.5-CSH-TMV-RD

Handicap Accessible:

The ASCWSMS-HCA-2HD will conform to most, but not all, ADA requirements; for complete ADA Compliance, see Model No. CWSMS-ADA-WH.

(Compliance shall be subject to the requirements of the local code authority based on installation-specific details and is the responsibility of the installer.)



MODEL NUMBER AND OPTIONS:

1.) Base Model Number:

- ASCWSMS-HCA-2HD Ligature-resistant, Handicap Accessible, Surface Mounted Wall Shower

2.) Valve Selection:

- NV No Valve
- PML1 Single Temp. Pneumatic Metering
- PML2 Dual Temp. Pneumatic Metering
- E1L1 Single Temp. Electronic (w/ Pneutronic Control)*
- E1L2 Dual Temp. Electronic (w/ Pneutronic Control)*
- TPLR Ligature-resistant Temp/Pressure-balancing Mixing Valve
- MA2 **Valve Manifold Option (Pneumatic or Electronic Valves Only):**
(See the Manifold Option Page at the end of Catalog Section C14 for further information)

3.) Diverter Valve Option:

- DVLR Ligature-resistant Diverter Valve
- PML1-MA2 Two Single Temp. Pneumatic Metering Valves
(Used to divert water flow to either upper, lower, or both shower heads; for use with (TPLR) valve option above)

4.) Push Button Selection: Pneumatic or Electronic Valves Only:

- PBH Ligature-resistant Push Buttons
- EPBH Ligature-resistant Electronic Push Buttons*

5.) Flow Rates:

- 2.5 GPM (Standard) 2.0 GPM 1.5 GPM

6.) Electronic Control* (Must Use Electronic Push Button):

- WUSC-2200 WUSC-2400 Pneutronic

7.) Shower Head Options:

- CSH Ligature-resistant Shower Heads (Standard)

8.) Other Options:

- TF24H Hard-wired Transformer, 110VAC to 24VAC* (Standard)
- TF24P Plug-in Transformer, 110VAC to 24VAC*
- TMV Inline Thermostatic Mixing Valve
- RD Recessed Mounted Soap Dish**
- RSD2 Recessed Soap Dish (In-Wall Mounted)
- ASGB Ligature-resistant Grab Bar (Wall Mounted, Specify Dimensions):

PS Pipe Shroud (Specify Length): _____

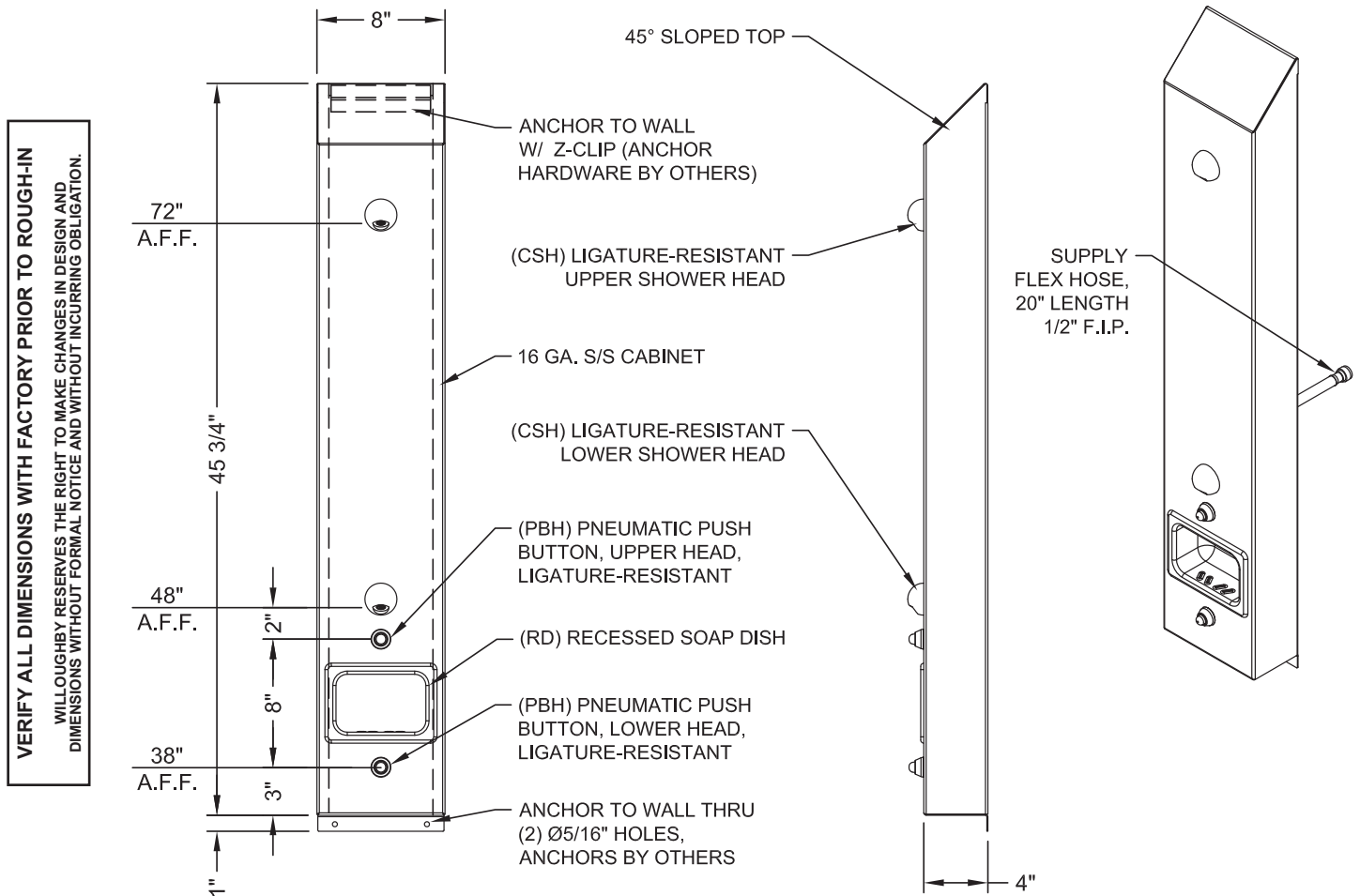
Other _____

Other _____

* (Req. 110V power through ground fault interrupter (GFCI) receptacle)

** (When (RD) is used in conjunction with (TPLR) mixing valve or (DVLR) diverter valve, shower cabinet width will increase by 7")

Approved For Manufacturing By: _____ Date: _____ Company: _____
Wall Thickness: _____ Wall Type: _____

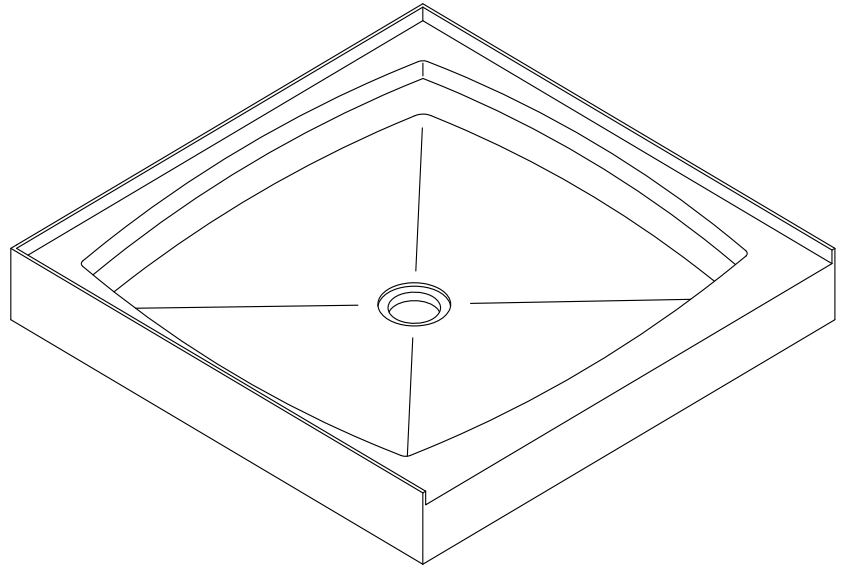


visit our website at www.willoughby-ind.com
 5105 West 78th Street • Indianapolis, IN. 46268
 (317) 875-0830 • Fax: (317) 875-0837 • (800) 428-4065



MADE IN THE U.S.A.

Aquasurf® Solid Surface Shower Base Square, Rectangular



(36" x 36" SQUARE SHOWN)

To specify fixture and accessories, use the Model Number and Options page.

Example: To specify a 36 x 36 square base in Glacier White.

Use the following Willoughby Model Number:

AS-S3636-GW

Recommended Specifications

Solid Surface Shower Base shall be:
Willoughby Aquasurf® Model No. **AS-___**
(Select from model number and options list on next page)

Aquasurf® Solid Surface Products Shower Bases are designed for single and multiple applications. The Shower Base shall be a monolithic cast component. Aquasurf® Solid Surface Products polymer materials, composed of fully densified aluminum trihydrate mineral fillers, homogeneously blended in an engineered, UV stabilized, acrylic modified polyester resin.

Shower Base shall have integrally molded support bracing on bottom, positive sloped non-slip textured interior floor and integral perimeter flange. Aquasurf® Solid Surface Products Shower Base shall incorporate integral threshold, curb and Ø3-1/2" standard opening for Ø2" no-hub drain connection. Drain is included.

Shower Base shall be available in solid color or granite pattern solid surface (specify color selection).

Solid Surface Shower Base shall comply with ANSI Z124.2.

Vandal Resistance:

Aquasurf® Solid Surface Products Shower Bases offer high impact, chip, scratch and burn resistance. Topical surface damages can easily be repaired with minor abrasive applications (3M #7448 Scotch-Brite™). The viral, bacteriological, chemical, mildew and mold resistance provides a sanitary, easily cleaned, durable, low maintenance component.

Optional Features:

Aquasurf® Solid Surface Products wall panel kits with overlay battens, coved corners and soap/shampoo assemblies provide all components required to complete shower area enclosure (refer to selection sheet for unit designation).

visit our website at www.willoughby-ind.com

5105 West 78th Street • Indianapolis, IN. 46268
(317) 875-0830 • Fax: (317) 875-0837 • (800) 428-4065



MADE IN THE U.S.A.

MODEL NUMBER AND OPTIONS:

1.) Base Type:

- AS-S3636 36x36 Square Base
- AS-S3648 36x48 Rectangular Base
- AS-S3660 36x60 Rectangular Base

2.) Commercial Wall Kits (1/4" Panels):

- ASK-S363684 (3)-36x84 Panels
(2)-AS-IS-CV8 Inside Corner
Cove Overlay
- ASK-S483684 (2)-36x84 Panels
(2)-24x84 Panels
(1)-3x84 Overlay
(2)-AS-IS-CV8 Inside Corner
Cove Overlay
- ASK-S603684 (2)-36x84 Panels
(2)-29-1/2 x 84 Panels
(1)-3x84 Overlay
(2)-AS-IS-CV8 Inside Corner
Cove Overlay

3.) Accessories:

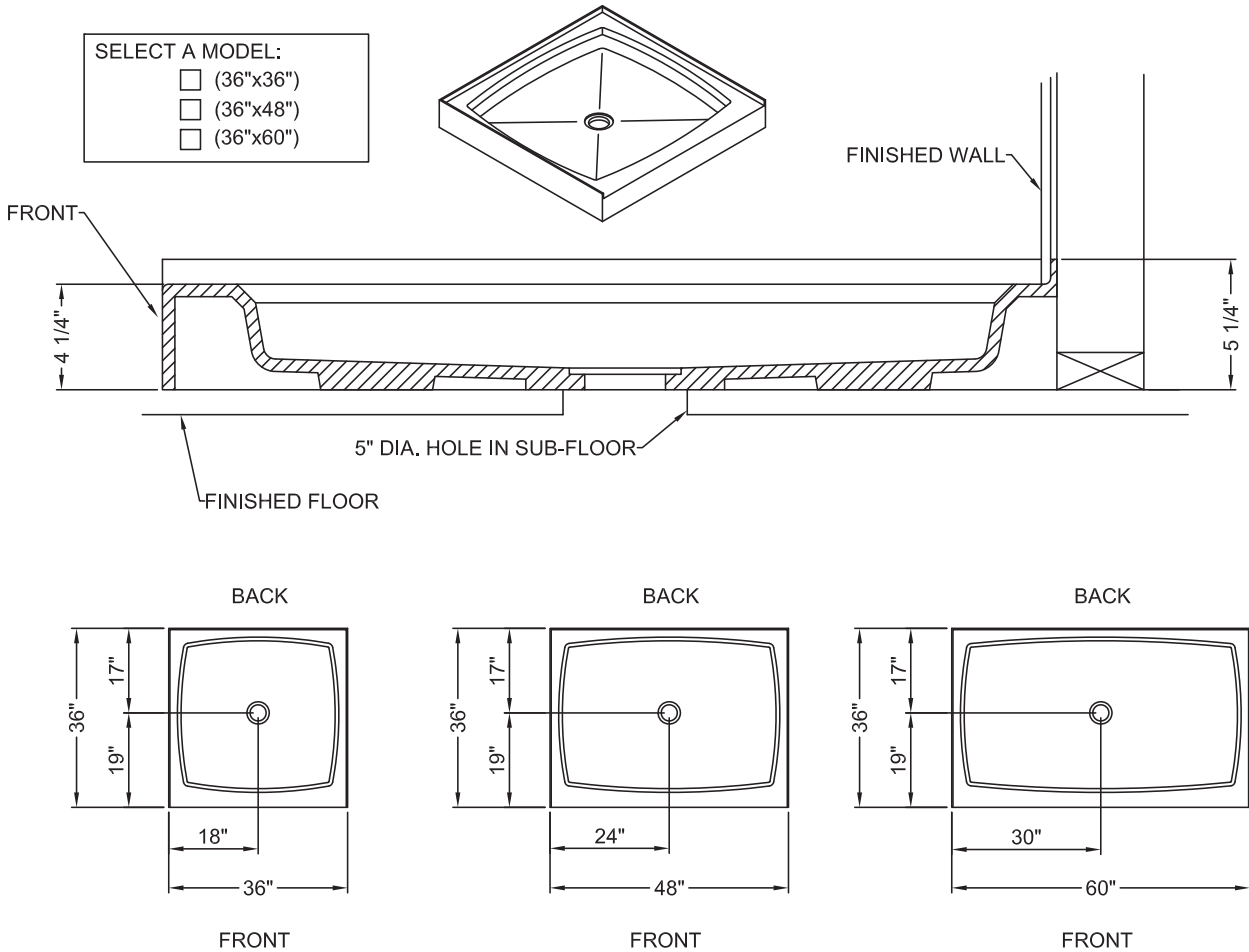
- AS-SSH Soap/Shampoo Holder

4.) Solid Surface Color:

- BN Bone
- GW Glacier White
- GG Grey Granite
- SS Sandstone
- WG White Granite
- BG Black Granite
- NB Nocturnal Blue
- RC Red Coral
- SG Sea Green

Approved For Manufacturing By: _____ Date: _____ Company: _____
 Wall Thickness: _____ Wall Type: _____

VERIFY ALL DIMENSIONS WITH FACTORY PRIOR TO ROUGH-IN
 WILLOUGHBY RESERVES THE RIGHT TO MAKE CHANGES IN DESIGN AND DIMENSIONS WITHOUT FORMAL NOTICE AND WITHOUT INCURRING OBLIGATION.

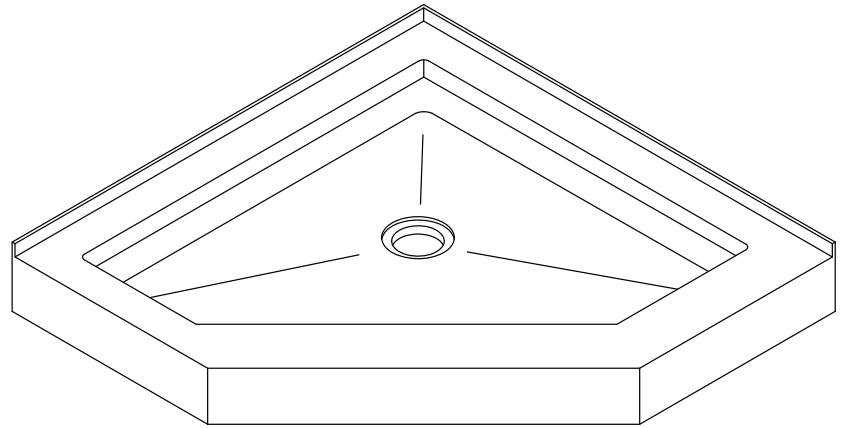


visit our website at www.willoughby-ind.com
 5105 West 78th Street • Indianapolis, IN. 46268
 (317) 875-0830 • Fax: (317) 875-0837 • (800) 428-4065



MADE IN THE U.S.A.

Aquasurf® Solid Surface Shower Base Round, Angular



(NEO ANGLE SHOWN)

To specify fixture and accessories, use the Model Number and Options page.

Example: To specify a 36" neo-angle base in Glacier White

Use the following Willoughby Model Number:
AS-S36NEO-GW

Recommended Specifications

Solid Surface Shower Base shall be:
Willoughby Aquasurf® Model No. **AS-___**
(Select from model number and options list on next page)

Aquasurf® Solid Surface Products Shower Bases are designed for single and multiple applications. The Shower Base shall be a monolithic cast component. Aquasurf® Solid Surface Products polymer materials, composed of fully densified aluminum trihydrate mineral fillers, homogeneously blended in an engineered, UV stabilized, acrylic modified polyester resin.

Shower Base shall have integrally molded support bracing on bottom, positive sloped non-slip textured interior floor and integral perimeter flange. Aquasurf® Solid Surface Products Shower Base shall incorporate integral threshold, curb and Ø3-1/2" standard opening for Ø2" no-hub drain connection. Drain is included.

Shower Base shall be available in solid color or granite pattern solid surface (specify color selection).

Solid Surface Shower Base shall comply with ANSI Z124.2.

Vandal Resistance:

Aquasurf® Solid Surface Products Shower Bases offer high impact, chip, scratch and burn resistance. Topical surface damages can easily be repaired with minor abrasive applications (3M #7448 Scotch-Brite™). The viral, bacteriological, chemical, mildew and mold resistance provides a sanitary, easily cleaned, durable, low maintenance component.

Optional Features:

Aquasurf® Solid Surface Products wall panel kits with overlay battens, coved corners and soap/shampoo assemblies provide all components required to complete shower area enclosure (refer to selection sheet for unit designation).

visit our website at www.willoughby-ind.com

5105 West 78th Street • Indianapolis, IN. 46268
(317) 875-0830 • Fax: (317) 875-0837 • (800) 428-4065



MADE IN THE U.S.A.

MODEL NUMBER AND OPTIONS:

1.) Base Type:

- AS-S36NEO 36x36 Neo-Angle Base
- AS-S42NEO 42x42 Neo-Angle Base
- AS-S36RND 36x36 Round Front Base

2.) Commercial Wall Kits (1/4" Panels):

- ASK-S36NEO (2)-36x84 Panels
(2)-18x84 Jamb Panels
(3)-AS-IS-CV8 Inside Corner Cove Overlay
- ASK-S42NEO (2)-42x84 Panels
(2)-24x84 Jamb Panels
(3)-AS-IS-CV8 Inside Corner Cove Overlay
- ASK-S36RND (2)-36x84 Panels
(1)-AS-IS-CV8 Inside Corner Cove Overlay

3.) Accessories:

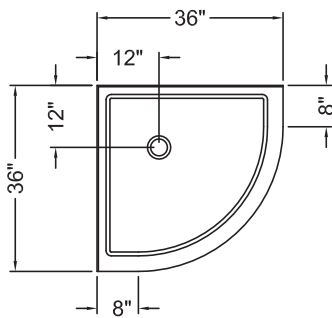
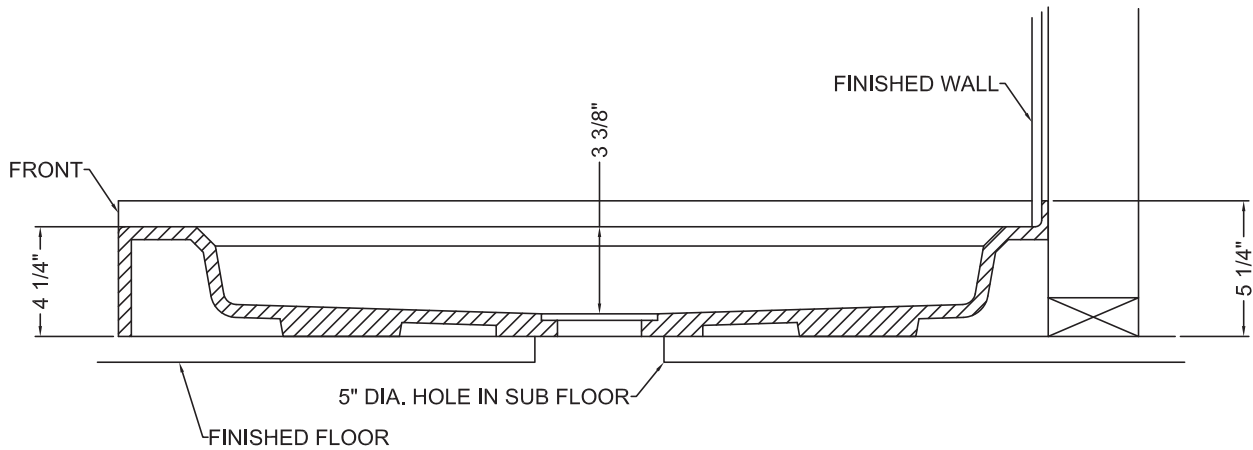
- AS-SSH Soap/Shampoo Holder

4.) Solid Surface Color:

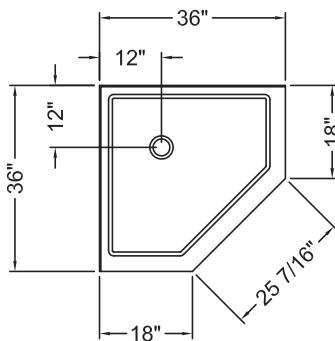
- BN Bone
- GW Glacier White
- GG Grey Granite
- SS Sandstone
- WG White Granite
- BG Black Granite
- NB Nocturnal Blue
- RC Red Coral
- SG Sea Green

Approved For Manufacturing By: _____ Date: _____ Company: _____
 Wall Thickness: _____ Wall Type: _____

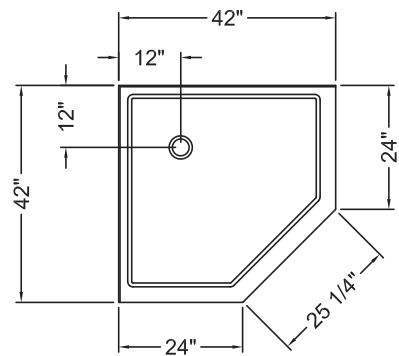
VERIFY ALL DIMENSIONS WITH FACTORY PRIOR TO ROUGH-IN
 WILLOUGHBY RESERVES THE RIGHT TO MAKE CHANGES IN DESIGN AND DIMENSIONS WITHOUT FORMAL NOTICE AND WITHOUT INCURRING OBLIGATION.



AS-S36RND



AS-S36NEO



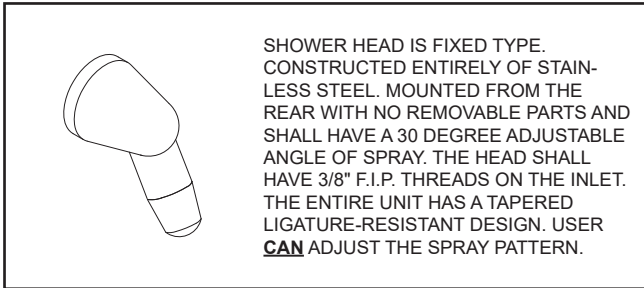
AS-S42NEO

visit our website at www.willoughby-ind.com
 5105 West 78th Street • Indianapolis, IN. 46268
 (317) 875-0830 • Fax: (317) 875-0837 • (800) 428-4065

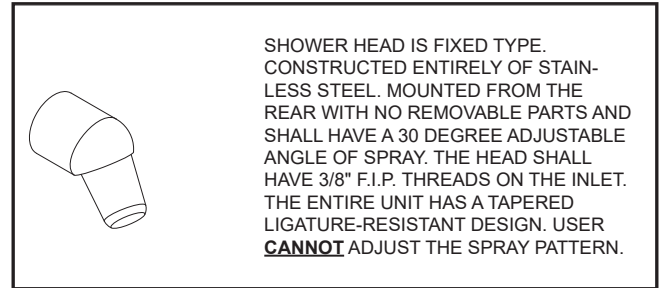


MADE IN THE U.S.A.

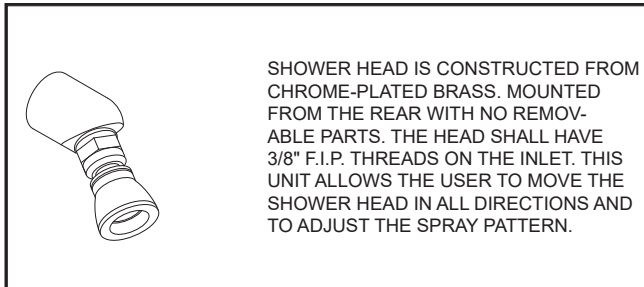
SHOWER HEAD OPTIONS



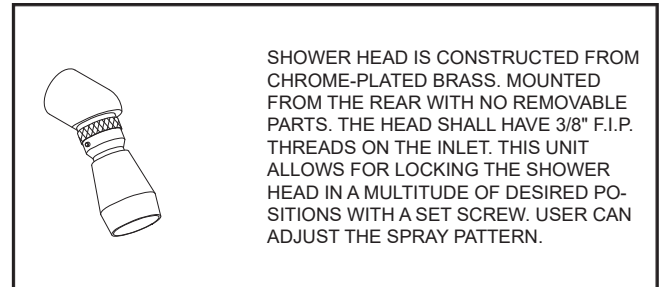
(APS) ADJUSTABLE VANDAL-RESISTANT SHOWER HEAD



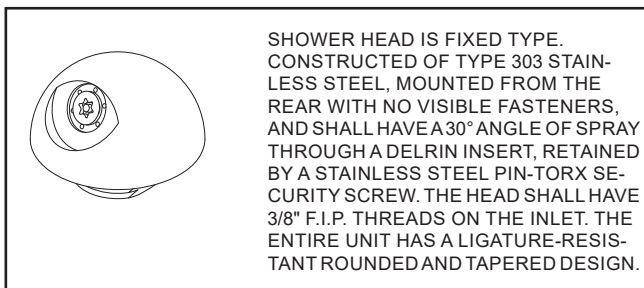
(NPS) NON-ADJUSTABLE VANDAL-RESISTANT SHOWER HEAD



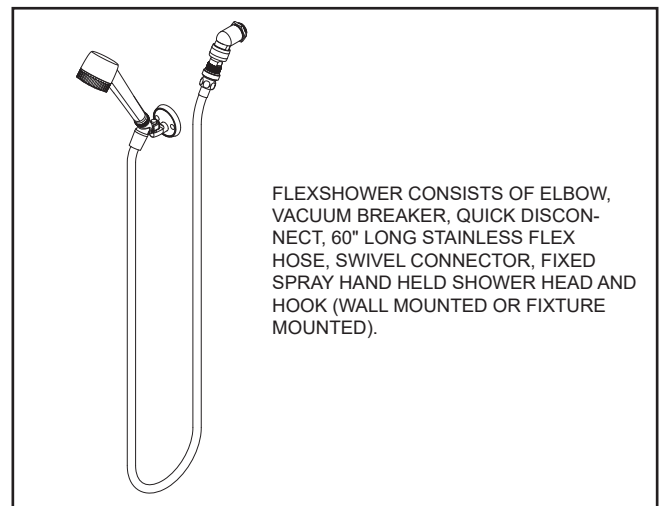
(UBJ) UNIVERSAL BALL JOINT SHOWER HEAD



(LBJ) LOCKABLE BALL JOINT SHOWER HEAD

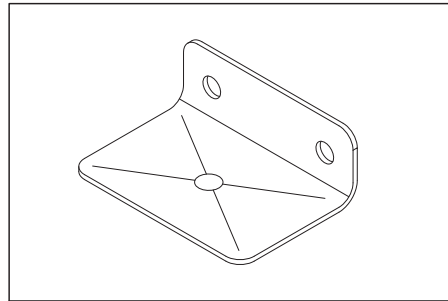


(CSH) LIGATURE-RESISTANT SHOWER HEAD

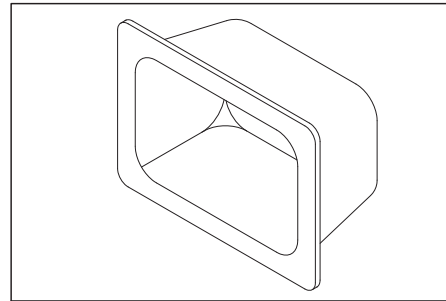


(FX) FLEXSHOWER HEAD

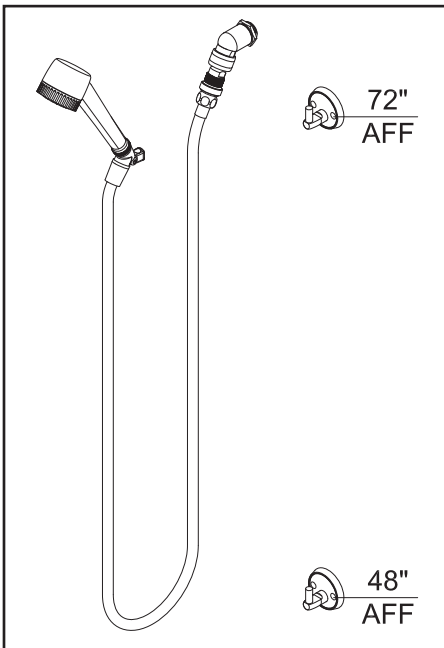
OTHER SHOWER OPTIONS



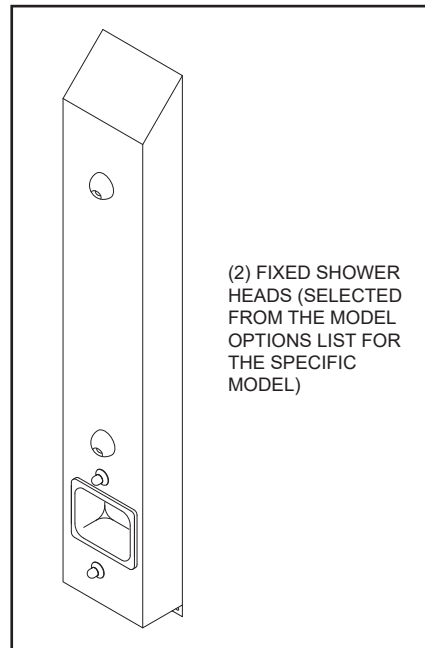
(SD) SURFACE MOUNTED SOAP DISH



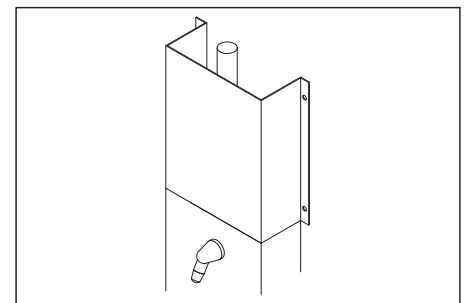
(RD) RECESSED SOAP DISH



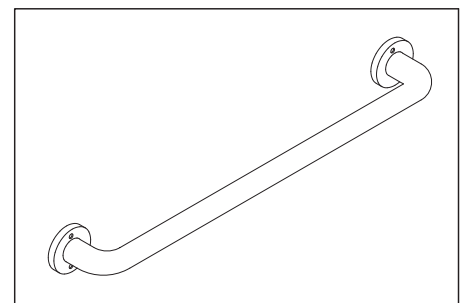
(HL) HI-LO (2 MOUNTING HOOKS FOR FLEXSHOWER)



(2) FIXED SHOWER HEADS (SELECTED FROM THE MODEL OPTIONS LIST FOR THE SPECIFIC MODEL)



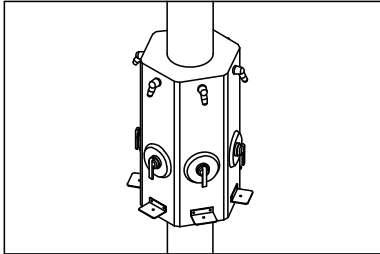
(PS) PIPE SHROUD FOR STANDARD UNITS CONCEALS TOP SUPPLY PIPING



(GB____) GRAB BAR (SPECIFY DIMENSIONS)

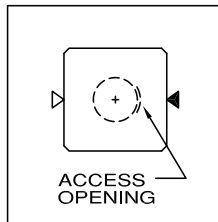
COLUMN SHOWER OPTIONS

BASE MODEL NUMBER

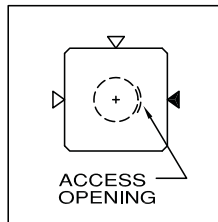


"CWCSY" COLUMN SHOWER

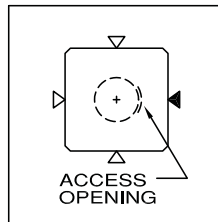
NUMBER OF STATIONS



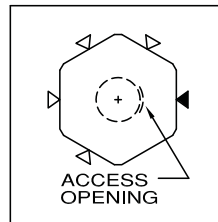
TWO STATION
"CWCSY"



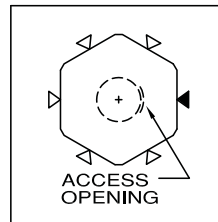
THREE STATION
"CWCSY"



FOUR STATION
"CWCSY"



FIVE STATION
"CWCSY"



SIX STATION
"CWCSY"

◀ INDICATES THE NUMBER ONE SHOWER STATION. ACCESS OPENING AND IDENTIFICATION NOTCH ON DRAIN ARE LOCATED ON THE VERTICAL CENTERLINE OF THE NUMBER ONE STATION. COUNT CLOCKWISE TO IDENTIFY OTHER STATIONS.

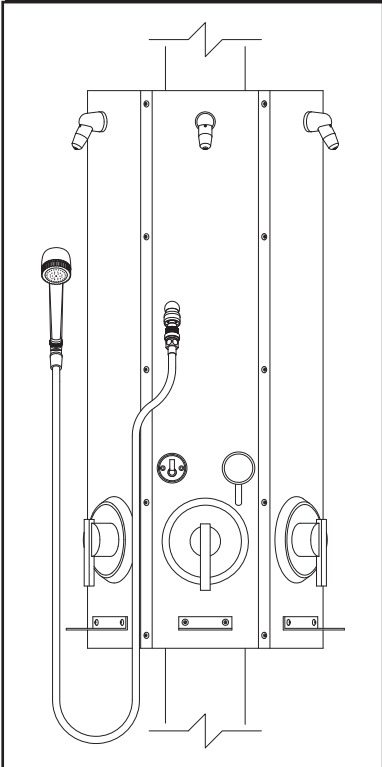
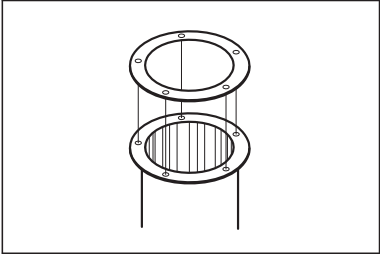
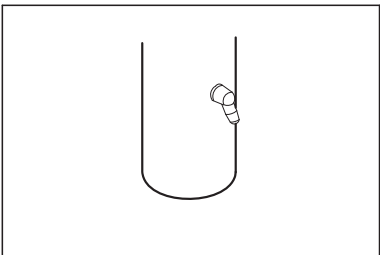
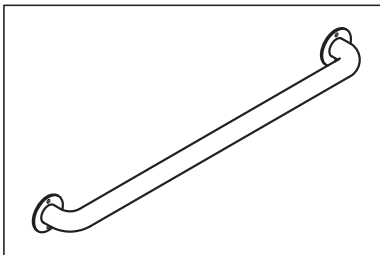

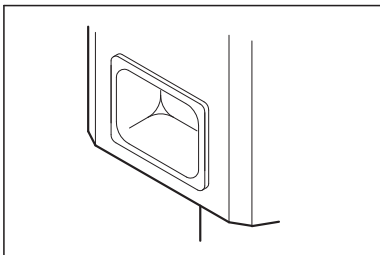
visit our website at www.willoughby-ind.com

5105 West 78th Street • Indianapolis, IN. 46268
(317) 875-0830 • Fax: (317) 875-0837 • (800) 428-4065



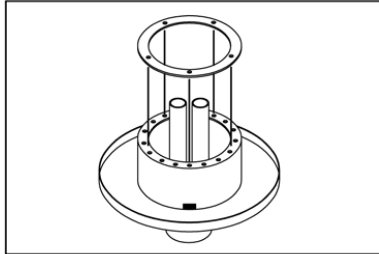
MADE IN THE U.S.A.

COLUMN SHOWER OPTIONS (CONT.)

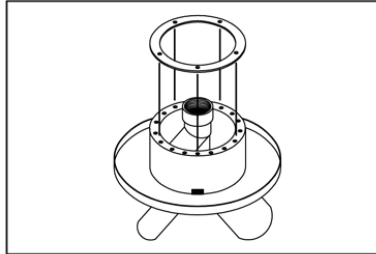
		
<p>"HCA" HANDICAP ACCESSIBLE COLUMN SHOWER STATION (OPTION ADDS ONE ACCESSIBLE STATION PER COLUMN)</p> <p>(INCLUDES ELONGATED SHOWER PANELS TO ACCOMMODATE (2) SHOWER HEADS (MOUNTED AT 48" AFF AND 72" AFF), VALVING, AND FEATURES INTENDED TO MEET MOST, BUT NOT ALL, ADA REQUIREMENTS)</p>	<p>"CA" CEILING ANCHOR PLATE FOR SUPPLY COVER ANCHORING HARDWARE BY OTHERS</p>	
		<p>"FS" FOOT SHOWER AT ONE STATION</p>
	<p>"GB" GRAB BAR (SPECIFY DIMENSIONS)</p>	<p>"HL" HI-LO (INCLUDES (2) FLEXSHOWER HOOKS</p>
	<p>"RD" RECESSED SOAP DISH</p>	

COLUMN SHOWER OPTIONS (CONT.)

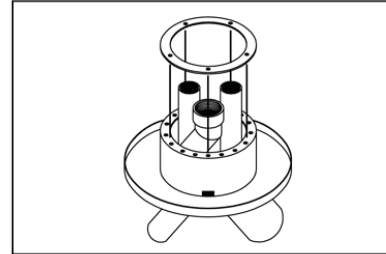
SUPPLY AND DRAIN TYPE



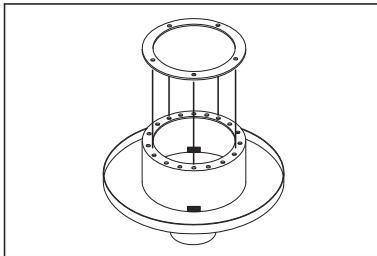
"A" SUPPLIES BELOW /
VENT OFF LINE



"B" SUPPLIES ABOVE /
VENT THRU COLUMN

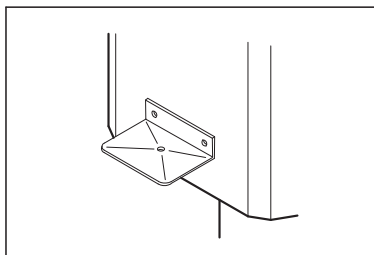


"C" SUPPLIES BELOW /
VENT THRU COLUMN

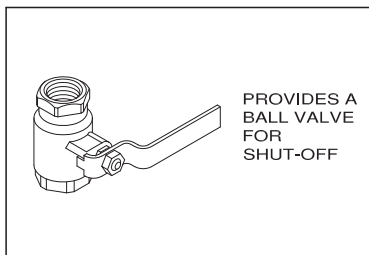


"D" SUPPLIES ABOVE /
VENT OFF LINE

OTHER OPTIONS

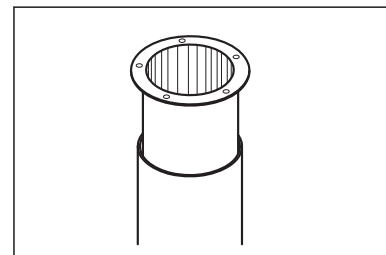


"SD" SURFACE MOUNTED
SOAP DISH



"USV" UNIT SHUT-OFF VALVE

PROVIDES A
BALL VALVE
FOR
SHUT-OFF



"TSH" TELESCOPING PIPE
SHROUD (SPECIFY CEILING
HEIGHT)

visit our website at www.willoughby-ind.com

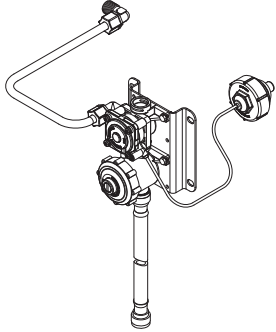
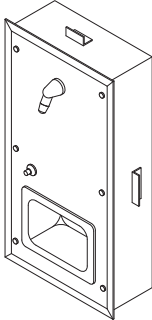
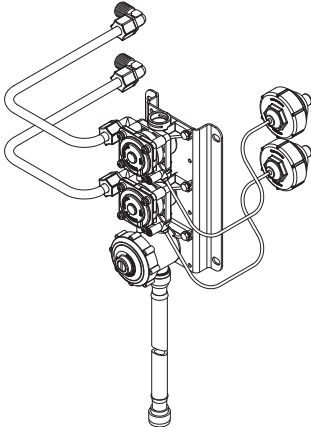
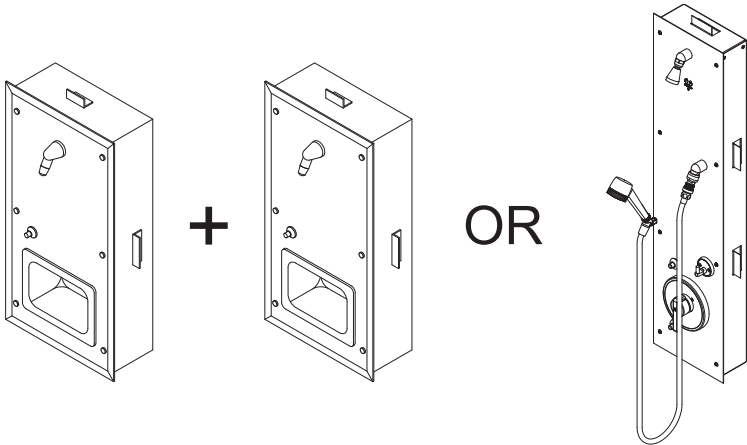
5105 West 78th Street • Indianapolis, IN. 46268

(317) 875-0830 • Fax: (317) 875-0837 • (800) 428-4065

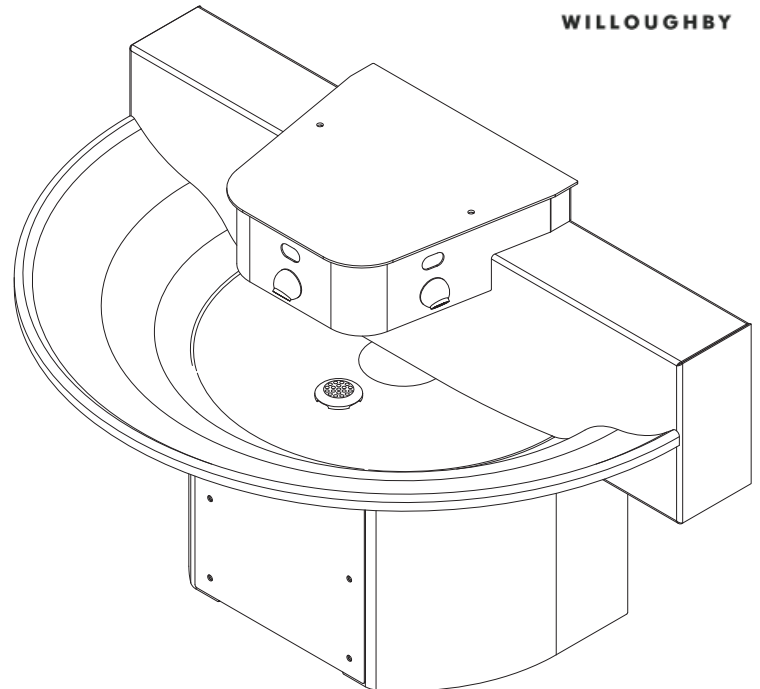


MADE IN THE U.S.A.

SHOWER VALVE MANIFOLDING OPTION

 <p>SINGLE VALVE -NO SUFFIX (1 FIXTURE)</p>	<p><u>Used for (1) Single shower head fixture:</u></p> 		
 <p>DUAL MANIFOLD VALVE -(MA2) (2 FIXTURES)</p>	<p><u>Used for (2) Single shower head fixtures (Single Temp.) OR (1) Dual shower head fixture (Single Temp.):</u></p> 		
<table border="1"> <tr> <td data-bbox="194 1348 779 1680"> <p><u>VALVE MANIFOLDING</u></p> <p>"MANIFOLDING" Willoughby suffix (MA2) allows for the operation of two shower valve assemblies, either (2) single shower head fixtures or (1) two shower head fixture from a common pair of Hot/Cold supply lines.</p> </td> <td data-bbox="779 1348 1421 1680"> <p><u>PRIMARY ADVANTAGES</u></p> <ul style="list-style-type: none"> - Reduces installation costs, labor, and materials - Easier access for maintenance - Adds flexibility and simplicity to your shower design needs <p>To specify: add suffix (MA2) to the selected valve model number. If manifolding (2) single shower head fixtures, be sure to specify this to your sales representative when placing your order.</p> </td> </tr> </table>		<p><u>VALVE MANIFOLDING</u></p> <p>"MANIFOLDING" Willoughby suffix (MA2) allows for the operation of two shower valve assemblies, either (2) single shower head fixtures or (1) two shower head fixture from a common pair of Hot/Cold supply lines.</p>	<p><u>PRIMARY ADVANTAGES</u></p> <ul style="list-style-type: none"> - Reduces installation costs, labor, and materials - Easier access for maintenance - Adds flexibility and simplicity to your shower design needs <p>To specify: add suffix (MA2) to the selected valve model number. If manifolding (2) single shower head fixtures, be sure to specify this to your sales representative when placing your order.</p>
<p><u>VALVE MANIFOLDING</u></p> <p>"MANIFOLDING" Willoughby suffix (MA2) allows for the operation of two shower valve assemblies, either (2) single shower head fixtures or (1) two shower head fixture from a common pair of Hot/Cold supply lines.</p>	<p><u>PRIMARY ADVANTAGES</u></p> <ul style="list-style-type: none"> - Reduces installation costs, labor, and materials - Easier access for maintenance - Adds flexibility and simplicity to your shower design needs <p>To specify: add suffix (MA2) to the selected valve model number. If manifolding (2) single shower head fixtures, be sure to specify this to your sales representative when placing your order.</p>		

WWF-3603 Three Station Half Round 36" Stainless Steel Deep Bowl Washfountain



(Unit may be shown with optional features)



To specify fixture and accessories, use the Model Number and Options page.
Example: To specify a 3 Station Half Round 36" Stainless Steel, Deep Bowl Washfountain with standard wall mounting (34" rim height) and hard-wired infrared sensors
Use the following Willoughby Model Number: **WWF-3603-WALL-IR**

Recommended Specifications

Half Round 36" Stainless Steel, Deep Bowl Washfountain shall be: Willoughby Model No. **WWF-3603** (select from model number and options list on next page)

Washfountain shall accommodate from 1 to 3 users simultaneously for the 3 station. Washfountain bowl is constructed of **12 GA. stainless steel**. Pedestal and water distribution head shall be constructed of heavy gauge, Type 304 stainless steel. Head cover is constructed of Aquasurf® solid surface material (Grey Granite color). Exposed stainless steel surfaces shall be polished to a #3 satin finish.

The push buttons and water spray nozzles shall be machined Type 303 stainless steel. Drain grate shall be constructed of heavy gauge stainless steel. The sprayhead module shall be equipped with independent spray nozzles; each controlled by a separate push button or infrared sensor. Flow restrictor shall maintain flow rates at 0.5 GPM per station.

All washfountains shall be supplied with thermostatic mixing valves, checkstops and strainers, drain spud, flexible supply hoses, control valves, color coded water lines and Class II, 120/24 VAC plug-in transformer (as needed)*. Operating supply water pressure range is 25-80 PSI.

Vandal resistance:

All spray nozzles, push buttons, infrared sensors, and escutcheons are secured to the unit from within the sprayhead. Valves, water supplies and waste connections are concealed within the pedestal. Removable access panels are secured with vandal resistant security Torx screws. Unit is shipped pre-assembled.

ADA, TAS, and ANSI Compliant:

When the washfountain is mounted at the standard 34" adult rim height it is designed to comply with applicable ADA, TAS, and ANSI Z124.3 and Z124.6 accessibility guidelines.

This excludes Floor Mounted (FLR) and Floor Mounted Foot Operated (FO) models.

Optional Features:

Willoughby washfountains offer liquid soap dispensers and a stainless steel head cover as optional accessories. Willoughby washfountains can be ordered with 31" rim heights for juvenile use (JR). A wall mounted stainless steel kick plate (KPWF) is available for wall-mounted pedestals w/ floor-based rough-ins.

* *Note:* Plug-in transformer must be used with a ground fault interrupter (GFCI) receptacle to prevent possible electrical shock.

visit our website at www.willoughby-ind.com
5105 West 78th Street • Indianapolis, IN. 46268
(317) 875-0830 • Fax: (317) 875-0837 • (800) 428-4065



MADE IN THE U.S.A.

MODEL NUMBER AND OPTIONS:

1.) Base Model Number:

- WWF-3603 3 Station Half Round 36" Stainless Steel, Deep Bowl Washfountain

2.) Pedestal Mounting:

- WALL Wall Mounted (Standard)
- FLR Floor Mounted (Not ADA Compliant)

3.) Junior Height Option:

- JR Junior Height (31" Rim Height, not ADA Compliant)

4.) Valve Actuation:

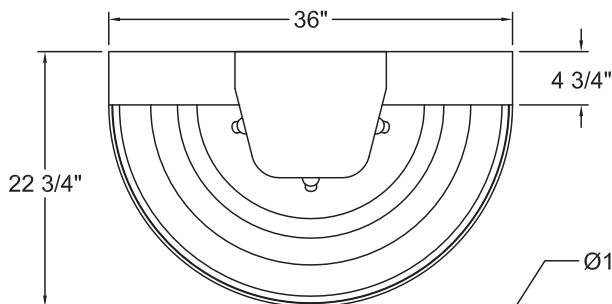
- PPB1 Standard Pneumatic Push Buttons for Single Temperature Pneumatic Metering Valves
- PZPB1 Piezo Electronic Push Buttons for Single Temperature Electronic Valves (w/ Pneutronic Control)*
- IR Infrared Sensors, Hard-wired*
- BO Infrared Sensors, Battery Operated
- FO Foot Operated Pneumatic Push Buttons (Not ADA Compliant, Requires FLR Floor Mounted Pedestal)

5.) Other Options:

- LSD Liquid Soap Dispensers (2)
- TL Less In-line Thermostatic Mixing Valve
- SSC Stainless Steel Head Cover (Top Cap)
- KPWF Wall Mounted Stainless Steel Kick Plate (For wall-mounted pedestal only)
- LSH 1.5 gpm Laminar Flow Sprayheads
- Other _____
- Other _____

*(Req. 110V power through ground fault interrupter (GFCI) receptacle)

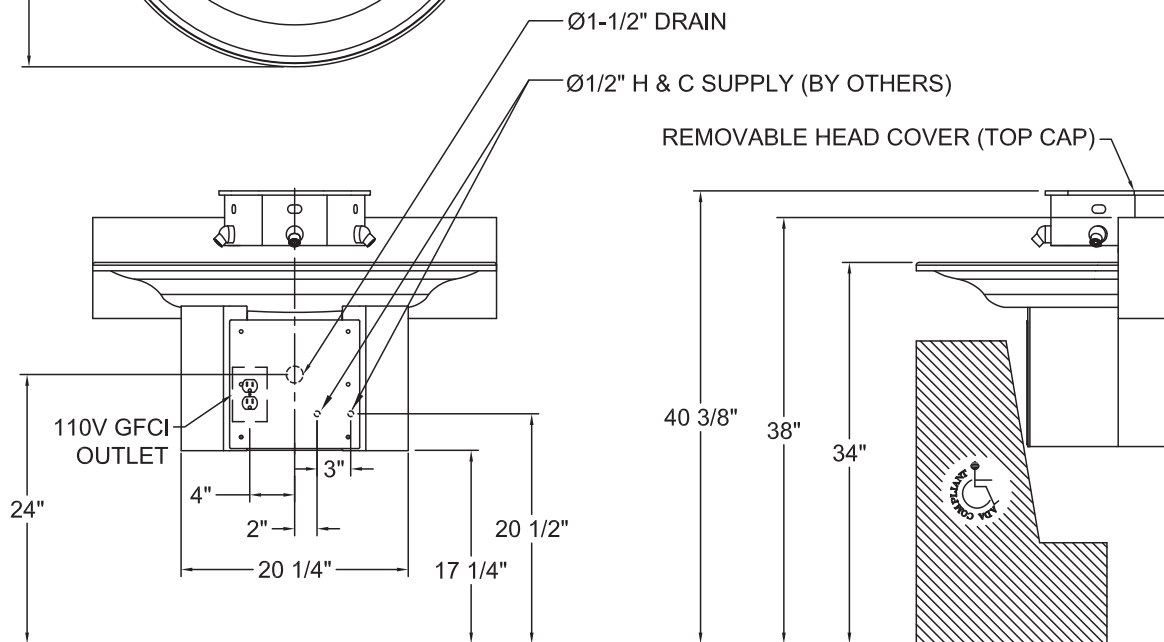
Approved For Manufacturing By: _____ Date: _____ Company: _____
 Wall Thickness: _____ Wall Type: _____



IN COMPLIANCE WITH A.D.A. 2010

NOTE: ROUGH-IN DIMENSIONS ARE FOR A RIM HEIGHT OF 34" A.F.F. ADJUST DIMENSIONS ACCORDINGLY FOR ALTERNATE RIM HEIGHT

VERIFY ALL DIMENSIONS WITH FACTORY PRIOR TO ROUGH-IN
 WILLOUGHBY RESERVES THE RIGHT TO MAKE CHANGES IN DESIGN AND DIMENSIONS WITHOUT FORMAL NOTICE AND WITHOUT INCURRING OBLIGATION.



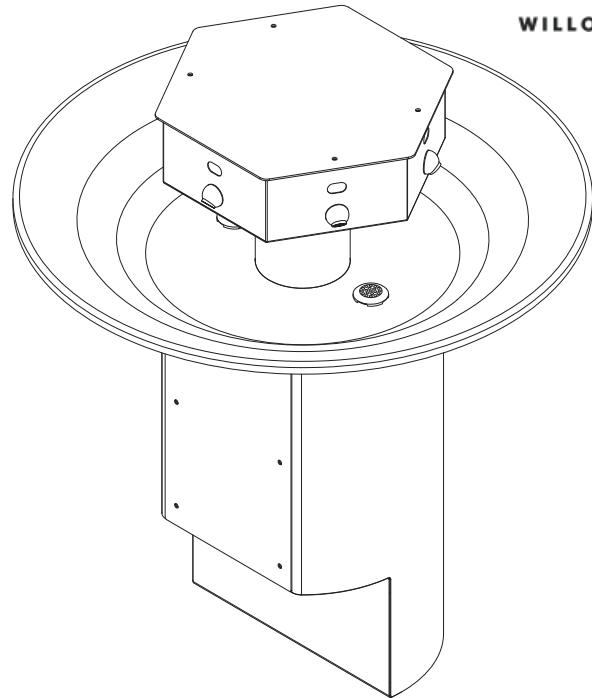
WALL MOUNTED ROUGH-IN SHOWN;
 FOR FLOOR MOUNTED ROUGH-IN,
 CONTACT FACTORY

visit our website at www.willoughby-ind.com
 5105 West 78th Street • Indianapolis, IN. 46268
 (317) 875-0830 • Fax: (317) 875-0837 • (800) 428-4065



MADE IN THE U.S.A.

WWF-3606 Six Station Full Round 36" Stainless Steel Deep Bowl Washfountain



(Unit may be shown with optional features)

To specify fixture and accessories, use the Model Number and Options page.
Example: To specify a 6 Station Full Round, 36" Stainless Steel, Deep Bowl Washfountain with standard floor mounting (34" rim height), hard-wired infrared sensors, and supplies from below
Use the following Willoughby Model Number:
WWF-3606-FLR-IR-SB

Recommended Specifications

Full Round, 36" Stainless Steel, Deep Bowl Washfountain shall be: Willoughby Model No. **WWF-3606** (select from model number and options list on next page)

Washfountain shall accommodate from 1 to 6 users simultaneously. Washfountain bowl is constructed of **12 GA. stainless steel**. Pedestal and water distribution head shall be constructed of heavy gauge, Type 304 stainless steel. Head cover shall be constructed of Aquasurf® solid surface material (Grey Granite color). Exposed stainless steel surfaces shall be polished to a #3 satin finish.

The push buttons and water spray nozzles shall be machined Type 303 stainless steel. Drain grate shall be constructed of heavy gauge stainless steel. The sprayhead module shall be equipped with independent spray nozzles; each controlled by a separate push button or infrared sensor. Flow restrictor shall maintain flow rates at 0.5 GPM per station.

All washfountains shall be supplied with thermostatic mixing valves, checkstops and strainers, drain spud, flexible supply hoses, control valves, color coded water lines and Class II, 120/24 VAC plug-in transformer (as needed)*. Operating supply water pressure range is 25-80 PSI.

Vandal resistance:

All spray nozzles, push buttons, infrared sensors and escutcheons are secured to the unit from within the sprayhead. Valves, water supplies and waste connections are concealed within the pedestal. Removable access panels are secured with vandal resistant security Torx screws. Unit is shipped pre-assembled.

ADA, TAS, and ANSI Compliant:

At the standard 34" adult rim height, one (1) station is designed to comply with applicable ADA, TAS, and ANSI Z124.3 and Z124.6 accessibility guidelines. The other (5) stations will comply with most, but not all, accessibility guidelines.

This excludes Floor Mounted Foot Operated (FO) models.

Optional Features:

Willoughby washfountains offer liquid soap dispensers and a stainless steel head cover as optional accessories. Willoughby washfountains can be ordered with 31" rim heights for juvenile use (JR) (Junior ADA Compliant).

* *Note:* Plug-in transformer must be used with a ground fault interrupter (GFCI) receptacle to prevent possible electrical shock.

visit our website at www.willoughby-ind.com
5105 West 78th Street • Indianapolis, IN. 46268
(317) 875-0830 • Fax: (317) 875-0837 • (800) 428-4065



MADE IN THE U.S.A.

MODEL NUMBER AND OPTIONS:

1.) Base Model Number:

- WWF-3606 6 Station Full Round 36" Stainless Steel, Deep Bowl Washfountain

2.) Pedestal Mounting:

- FLR Floor Mounted (Standard)

3.) Junior Height Option:

- JR Junior Height (31" Rim Height, JR. ADA Compliant)

4.) Valve Actuation:

- PPB1 Standard Pneumatic Push Buttons for Single Temperature Pneumatic Metering Valves
- PZPB1 Piezo Electronic Push Buttons for Single Temperature Electronic Valves (w/ Pneutronic Control)*
- IR Infrared Sensors, Hard-wired*
- BO Infrared Sensors, Battery Operated
- FO Foot Operated Pneumatic Push Buttons (Not ADA Compliant)

5.) Water Supply:

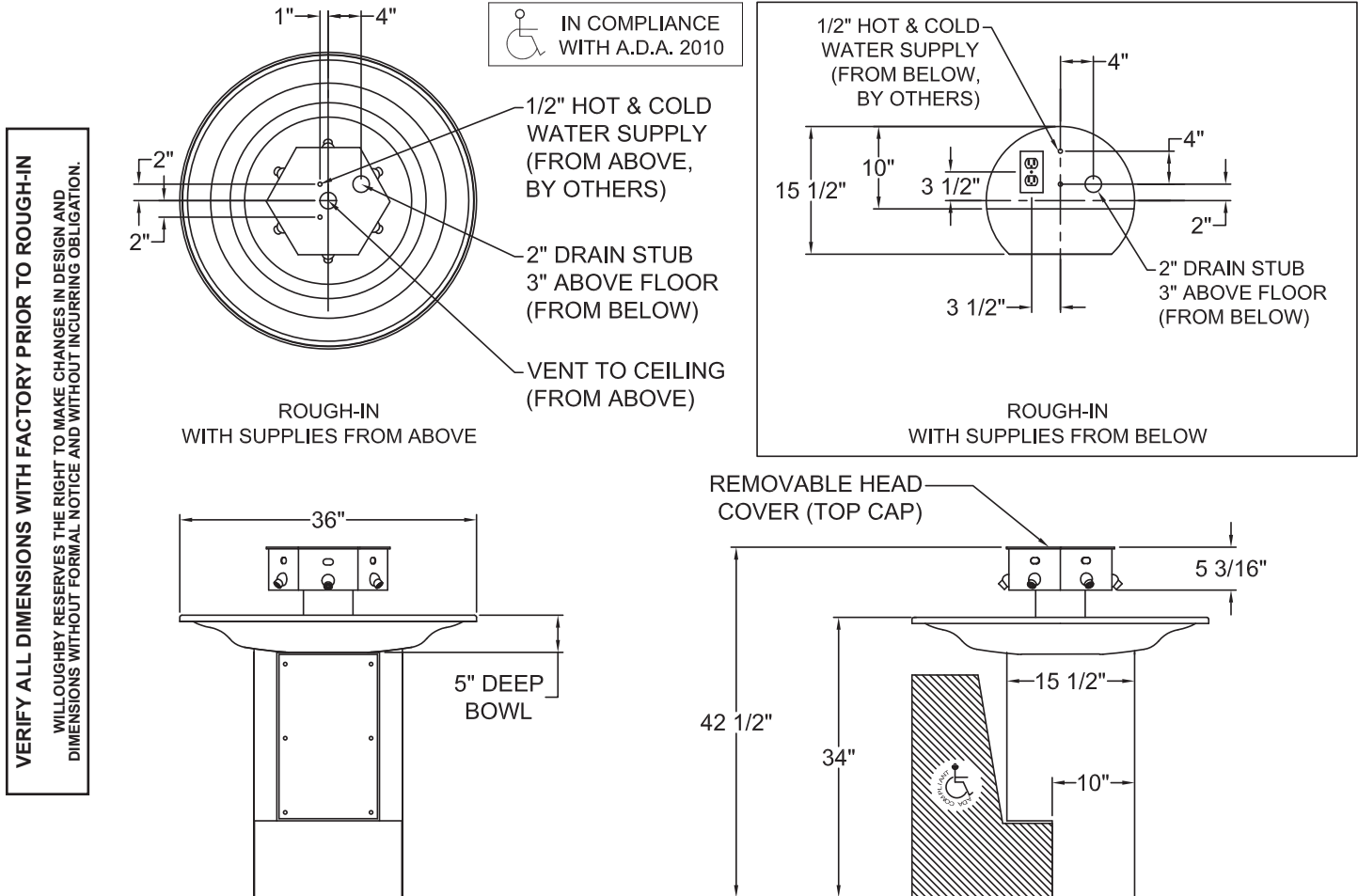
- SB Supply From Below (Standard)
- SA Supply From Above (**Option** (TSHWF) recommended)

6.) Other Options:

- LSD Liquid Soap Dispensers (2)
- TL Less In-line Thermostatic Mixing Valve
- SSC Stainless Steel Head Cover (Top Cap)
- TSHWF Telescoping Washfountain Shroud (For use on (SA) models only)
- LSH 1.5 gpm Laminar Flow Sprayheads
- Other _____
- Other _____

*(Req. 110V power through ground fault interrupter (GFCI) receptacle)

Approved For Manufacturing By: _____ Date: _____ Company: _____
 Wall Thickness: _____ Wall Type: _____

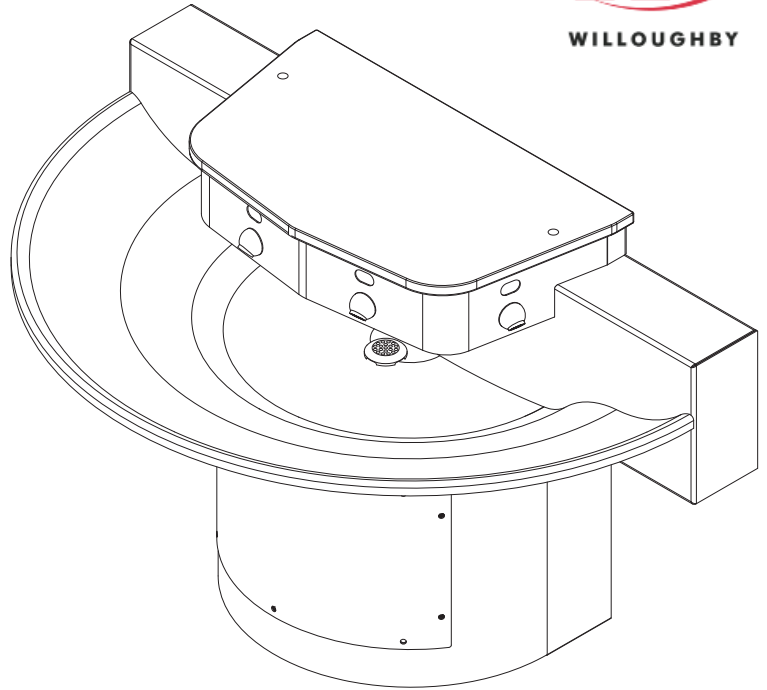


visit our website at www.willoughby-ind.com
 5105 West 78th Street • Indianapolis, IN. 46268
 (317) 875-0830 • Fax: (317) 875-0837 • (800) 428-4065



MADE IN THE U.S.A.

WWF-4203/4204 Three and Four Station Half Round 42" Stainless Steel Deep Bowl Washfountain



(Unit may be shown with optional features)

To specify fixture and accessories, use the Model Number and Options page.

Example: To specify a 4 Station Half Round, 42" Stainless Steel, Deep Bowl Washfountain with standard wall mounting (34" rim height) and battery operated infrared sensors

Use the following Willoughby Model Number:

WWF-4204-WALL-BO

Recommended Specifications

Half Round, 42" Stainless Steel, Deep Bowl Washfountain shall be: Willoughby Model No. **WWF-420**____ (select from model number and options list on next page)

Washfountain shall accommodate from 1 to 3 users simultaneously for the 3 station or 1 to 4 users simultaneously for the 4 station. Washfountain bowl is constructed of **12 GA. stainless steel**. Pedestal and water distribution head shall be constructed of heavy gauge, Type 304 stainless steel. Head cover is constructed of Aquasurf® solid surface material (Grey Granite color). Exposed stainless steel surfaces shall be polished to a #3 satin finish.

The push buttons and water spray nozzles shall be machined Type 303 stainless steel. Drain grate shall be constructed of heavy gauge stainless steel. The sprayhead module shall be equipped with independent spray nozzles; each controlled by a separate push button or infrared sensor. Flow restrictor shall maintain flow rates at 0.5 GPM per station.

All washfountains shall be supplied with thermostatic mixing valves, checkstops and strainers, drain spud, flexible supply hoses, control valves, color coded water lines and Class II, 120/24 VAC plug-in transformer (as needed)*. Operating supply water pressure range is 25-80 PSI.

Vandal resistance:

All spray nozzles, push buttons, infrared sensors, and escutcheons are secured to the unit from within the sprayhead. Valves, water supplies and waste connections are concealed within the pedestal. Removable access panels are secured with vandal resistant security Torx screws. Unit is shipped pre-assembled.

ADA, TAS, and ANSI Compliant:

When the washfountain is mounted at the standard 34" adult rim height, it is designed to comply with applicable ADA, TAS, and ANSI Z124.3 and Z124.6 accessibility guidelines.

This excludes Floor Mounted Foot Operated (FO) models.

Optional Features:

Willoughby washfountains offer liquid soap dispensers and a stainless steel head cover as optional accessories. Willoughby washfountains can be ordered with 31" rim heights for juvenile use (JR) (Junior ADA Compliant). A wall mounted stainless steel kick plate (KPWF) is available for wall-mounted pedestals w/ floor-based plumbing rough-ins.

* *Note:* Plug-in transformer must be used with a ground fault interrupter (GFCI) receptacle to prevent possible electrical shock.

visit our website at www.willoughby-ind.com
5105 West 78th Street • Indianapolis, IN. 46268
(317) 875-0830 • Fax: (317) 875-0837 • (800) 428-4065



MADE IN THE U.S.A.

MODEL NUMBER AND OPTIONS:

1.) Base Model Number:

- WWF-4203 3 Station Half Round 42" Stainless Steel, Deep Bowl Washfountain
- WWF-4204 4 Station Half Round 42" Stainless Steel, Deep Bowl Washfountain

2.) Pedestal Mounting:

- WALL Wall Mounted (Standard)
- FLR Floor Mounted (Not ADA Compliant)

3.) Junior Height Option:

- JR Junior Height (31" Rim Height, Wall Mounted JR. ADA Compliant; Floor Mounted Not ADA Compliant)

4.) Valve Actuation:

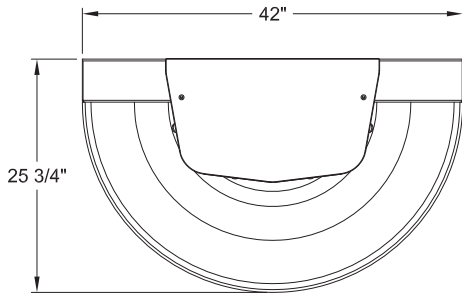
- PPB1 Standard Pneumatic Push Buttons for Single Temperature Pneumatic Metering Valves
- PZPB1 Piezo Electronic Push Buttons for Single Temperature Electronic Valves (w/ Pneutronic Control)*
- IR Infrared Sensors, Hard-wired*
- BO Infrared Sensors, Battery Operated
- FO Foot Operated Pneumatic Push Buttons (Not ADA Compliant, Requires FLR Floor Mounted Pedestal)

5.) Other Options:

- LSD Liquid Soap Dispensers (2)
- TL Less In-line Thermostatic Mixing Valve
- SSC Stainless Steel Head Cover (Top Cap)
- KPWF Wall Mounted Stainless Steel Kick Plate (For wall-mounted pedestal only)
- LSH 1.5 gpm Laminar Flow Sprayheads
- Other _____
- Other _____

*(Req. 110V power through ground fault interrupter (GFCI) receptacle)

Approved For Manufacturing By: _____ Date: _____ Company: _____
 Wall Thickness: _____ Wall Type: _____



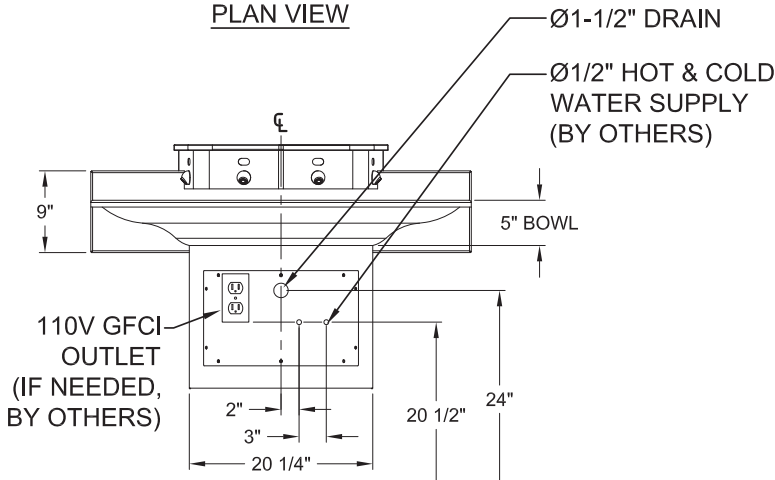
PLAN VIEW

IN COMPLIANCE WITH A.D.A. 2010

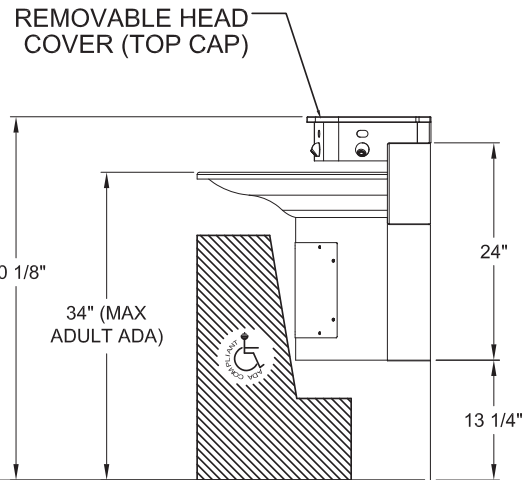
WALL MOUNTED ROUGH-IN SHOWN; FOR FLOOR MOUNTED ROUGH-IN, CONTACT FACTORY

NOTE:
ROUGH-IN DIMENSIONS ARE FOR A RIM HEIGHT OF 34" A.F.F. ADJUST DIMENSIONS ACCORDINGLY FOR ALTERNATE RIM HEIGHT.

VERIFY ALL DIMENSIONS WITH FACTORY PRIOR TO ROUGH-IN
WILLOUGHBY RESERVES THE RIGHT TO MAKE CHANGES IN DESIGN AND DIMENSIONS WITHOUT FORMAL NOTICE AND WITHOUT INCURRING OBLIGATION.



FRONT VIEW



SIDE VIEW

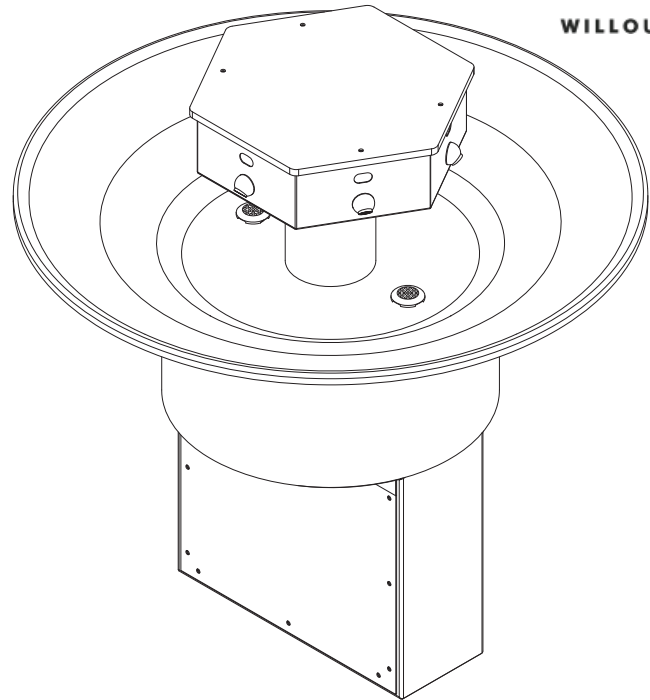
FINISHED FLOOR

visit our website at www.willoughby-ind.com
 5105 West 78th Street • Indianapolis, IN. 46268
 (317) 875-0830 • Fax: (317) 875-0837 • (800) 428-4065



MADE IN THE U.S.A.

WWF-4206 Six Station Full Round 42" Stainless Steel Deep Bowl Washfountain



(Unit may be shown with optional features)



To specify fixture and accessories, use the Model Number and Options page.
Example: To specify a 6 Station Full Round, 42" Stainless Steel, Deep Bowl Washfountain with standard floor mounting (34" rim height), battery operated infrared sensors, and supplies from below
Use the following Willoughby Model Number: **WWF-4206-FLR-BO-SB**

Recommended Specifications

Full Round, 42" Stainless Steel, Deep Bowl Washfountain shall be: Willoughby Model No. **WWF-4206** (select from model number and options list on next page)

Washfountain shall accommodate from 1 to 6 users simultaneously. Washfountain bowl is constructed of **12 GA. stainless steel**. Pedestal and water distribution head shall be constructed of heavy gauge, Type 304 stainless steel. Head cover shall be constructed of Aquasurf® solid surface material (Grey Granite color). Exposed stainless steel surfaces shall be polished to a #3 satin finish.

The push buttons and water spray nozzles shall be machined Type 303 stainless steel. Drain grate shall be constructed of heavy gauge stainless steel. The sprayhead module shall be equipped with independent spray nozzles; each controlled by a separate push button or infrared sensor. Flow restrictor shall maintain flow rates at 0.5 GPM per station.

All washfountains shall be supplied with thermostatic mixing valves, checkstops and strainers, drain spud, flexible supply hoses, control valves, color coded water lines and Class II, 120/24 VAC plug-in transformer (as needed)*. Operating supply water pressure range is 25-80 PSI.

Vandal resistance:

All spray nozzles, push buttons, infrared sensors and escutcheons are secured to the unit from within the sprayhead. Valves, water supplies and waste connections are concealed within the pedestal. Removable access panels are secured with vandal resistant security Torx screws. Unit is shipped pre-assembled.

ADA, TAS, and ANSI Compliant:

At the standard 34" adult rim height, two (2) stations are designed to comply with applicable ADA, TAS, and ANSI Z124.3 and Z124.6 accessibility guidelines. The other (4) stations will comply with most, but not all, accessibility guidelines.

This excludes Floor Mounted Foot Operated (FO) models.

Optional Features:

Willoughby washfountains offer liquid soap dispensers and a stainless steel head cover as optional accessories. Willoughby washfountains can be ordered with 31" rim heights for juvenile use (JR) (Junior ADA Compliant).

* *Note:* Plug-in transformer must be used with a ground fault interrupter (GFCI) receptacle to prevent possible electrical shock.

visit our website at www.willoughby-ind.com
5105 West 78th Street • Indianapolis, IN. 46268
(317) 875-0830 • Fax: (317) 875-0837 • (800) 428-4065



MADE IN THE U.S.A.

MODEL NUMBER AND OPTIONS:

1.) Base Model Number:

- WWF-4206 6 Station Full Round 42" Stainless Steel, Deep Bowl Washfountain

2.) Pedestal Mounting:

- FLR Floor Mounted (Standard)

3.) Junior Height Option:

- JR Junior Height (31" Rim Height, not ADA Compliant)

4.) Valve Actuation:

- PPB1 Standard Pneumatic Push Buttons for Single Temperature Pneumatic Metering Valves
- PZPB1 Piezo Electronic Push Buttons for Single Temperature Electronic Valves (w/ Pneutronic Control)*
- IR Infrared Sensors, Hard-wired*
- BO Infrared Sensors, Battery Operated
- FO Foot Operated Pneumatic Push Buttons (Not ADA Compliant)

5.) Water Supply:

- SB Supply From Below (Standard)
- SA Supply From Above (**Option** (TSHWF) recommended)

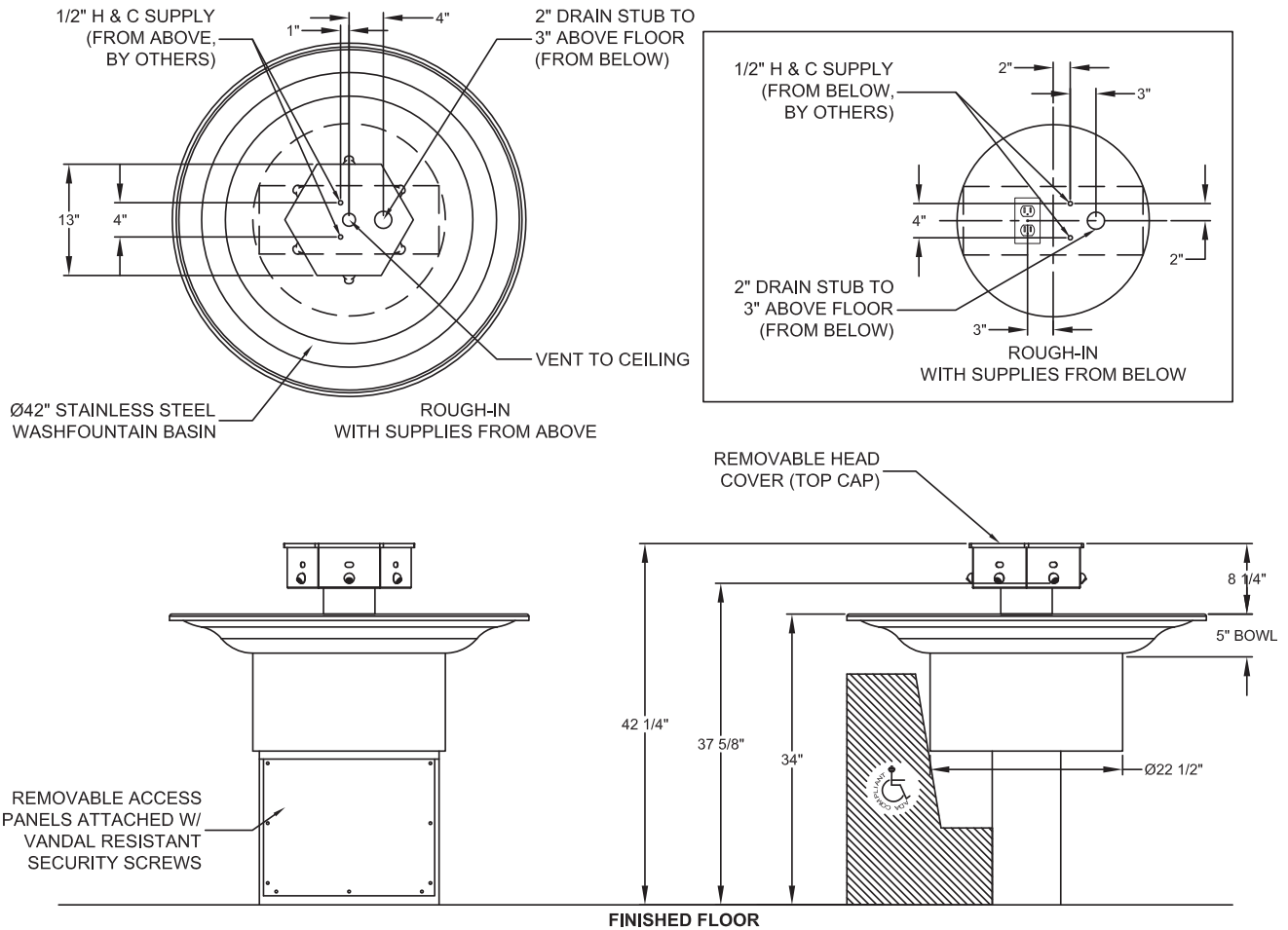
6.) Other Options:

- LSD Liquid Soap Dispensers
- TL Less In-line Thermostatic Mixing Valve
- SSC Stainless Steel Head Cover (Top Cap)
- TSHWF Telescoping Washfountain Shroud (For use on (SA) models only)
- LSH 1.5 gpm Laminar Flow Sprayheads
- Other _____
- Other _____

*(Req. 110V power through ground fault interrupter (GFCI) receptacle)

Approved For Manufacturing By: _____ Date: _____ Company: _____
 Wall Thickness: _____ Wall Type: _____

VERIFY ALL DIMENSIONS WITH FACTORY PRIOR TO ROUGH-IN
 WILLOUGHBY RESERVES THE RIGHT TO MAKE CHANGES IN DESIGN AND DIMENSIONS WITHOUT FORMAL NOTICE AND WITHOUT INCURRING OBLIGATION.

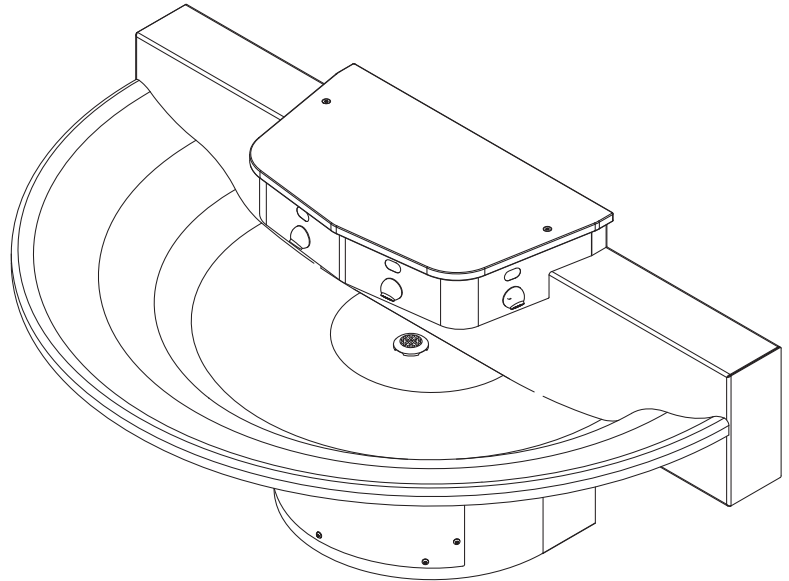


visit our website at www.willoughby-ind.com
 5105 West 78th Street • Indianapolis, IN. 46268
 (317) 875-0830 • Fax: (317) 875-0837 • (800) 428-4065



MADE IN THE U.S.A.

WWF-5403/5404 Three and Four Station Half Round 54" Stainless Steel Deep Bowl Washfountain



(Unit may be shown with optional features)

To specify fixture and accessories, use the Model Number and Options page.

Example: To specify a 4 Station Half Round, 54" Stainless Steel, Deep Bowl Washfountain with standard wall mounting (34" rim height) and hard-wired infrared sensors

Use the following Willoughby Model Number:

WWF-5404-WALL-IR

Recommended Specifications

Half Round, 54" Stainless Steel, Deep Bowl Washfountain shall be: Willoughby Model No. **WWF-540**____ (select from model number and options list on next page)

Washfountain shall accommodate from 1 to 3 users simultaneously for the 3 station or 1 to 4 users simultaneously for the 4 station. Washfountain bowl is constructed of **12 GA. stainless steel**. Pedestal and water distribution head shall be constructed of heavy gauge, Type 304 stainless steel. Head cover is constructed of Aquasurf® solid surface material (Grey Granite color). Exposed stainless steel surfaces shall be polished to a #3 satin finish.

The push buttons and water spray nozzles shall be machined Type 303 stainless steel. Drain grate shall be constructed of heavy gauge stainless steel. The sprayhead module shall be equipped with independent spray nozzles; each controlled by a separate push button or infrared sensor. Flow restrictor shall maintain flow rates at 0.5 GPM per station.

All washfountains shall be supplied with thermostatic mixing valves, checkstops and strainers, drain spud, flexible supply hoses, control valves, color coded water lines and Class II, 120/24 VAC plug-in transformer (as needed)*. Operating supply water pressure range is 25-80 PSI.

Vandal resistance:

All spray nozzles, push buttons, infrared sensors, and escutcheons are secured to the unit from within the sprayhead. Valves, water supplies and waste connections are concealed within the pedestal. Removable access panels are secured with vandal resistant security Torx screws. Unit is shipped pre-assembled.

ADA, TAS, and ANSI Compliant:

When the washfountain is mounted at the standard 34" adult rim height, it is designed to comply with applicable ADA, TAS, and ANSI Z124.3 and Z124.6 accessibility guidelines.

This excludes Floor Mounted Foot Operated (FO) models.

Optional Features:

Willoughby washfountains offer liquid soap dispensers and a stainless steel head cover as optional accessories. Willoughby washfountains can be ordered with 31" rim heights for juvenile use (JR) (Junior ADA Compliant). A wall mounted stainless steel kick plate (KPWF) is available for wall-mounted pedestals w/ floor-based plumbing rough-ins.

* *Note:* Plug-in transformer must be used with a ground fault interrupter (GFCI) receptacle to prevent possible electrical shock.

visit our website at www.willoughby-ind.com
5105 West 78th Street • Indianapolis, IN. 46268
(317) 875-0830 • Fax: (317) 875-0837 • (800) 428-4065



MADE IN THE U.S.A.

MODEL NUMBER AND OPTIONS:

1.) Base Model Number:

- WWF-5403 3 Station Half Round 54" Stainless Steel, Deep Bowl Washfountain
- WWF-5404 4 Station Half Round 54" Stainless Steel, Deep Bowl Washfountain

2.) Pedestal Mounting:

- WALL Wall Mounted (Standard)
- FLR Floor Mounted

3.) Junior Height Option:

- JR Junior Height (31" Rim Height, JR. ADA Compliant)

4.) Valve Actuation:

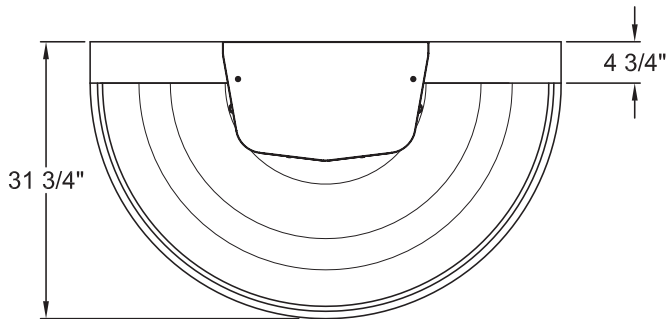
- PPB1 Standard Pneumatic Push Buttons for Single Temperature Pneumatic Metering Valves
- PZPB1 Piezo Electronic Push Buttons for Single Temperature Electronic Valves (w/ Pneutronic Control)*
- IR Infrared Sensors, Hard-wired*
- BO Infrared Sensors, Battery Operated
- FO Foot Operated Pneumatic Push Buttons (Not ADA Compliant, Requires FLR Floor Mounted Pedestal)

5.) Other Options:

- LSD Liquid Soap Dispensers (2)
- TL Less In-line Thermostatic Mixing Valve
- SSC Stainless Steel Head Cover (Top Cap)
- KPWF Wall Mounted Stainless Steel Kick Plate (For wall-mounted pedestal only)
- LSH 1.5 gpm Laminar Flow Sprayheads
- Other _____
- Other _____

*(Req. 110V power through ground fault interrupter (GFCI) receptacle)

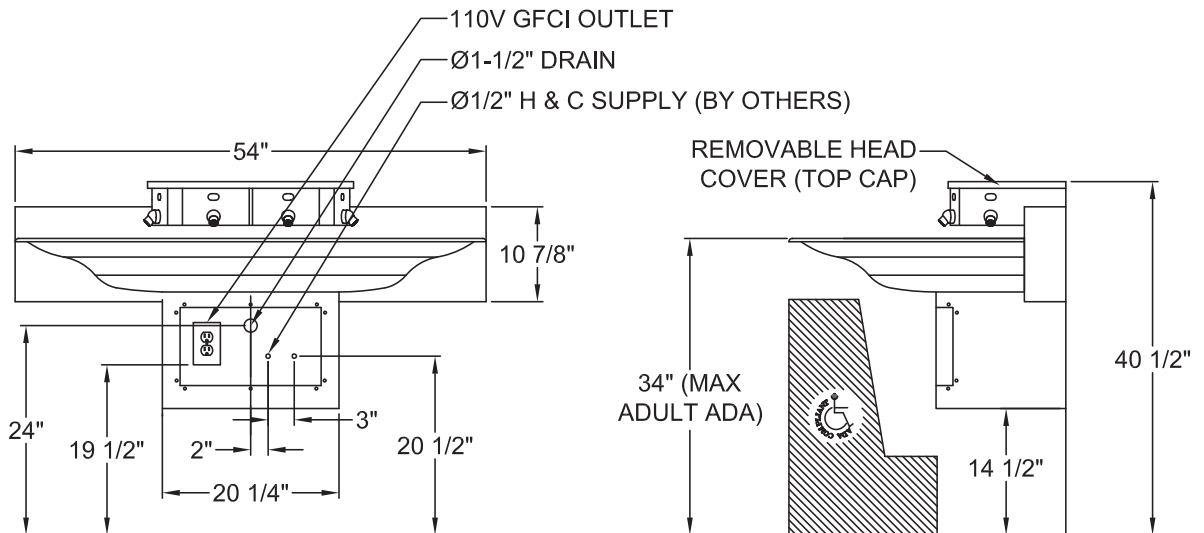
Approved For Manufacturing By: _____ Date: _____ Company: _____
 Wall Thickness: _____ Wall Type: _____



IN COMPLIANCE WITH A.D.A. 2010

VERIFY ALL DIMENSIONS WITH FACTORY PRIOR TO ROUGH-IN
 WILLOUGHBY RESERVES THE RIGHT TO MAKE CHANGES IN DESIGN AND DIMENSIONS WITHOUT FORMAL NOTICE AND WITHOUT INCURRING OBLIGATION.

ROUGH-IN DIMENSIONS ARE FOR RIM HEIGHT 34" AFF. ADJUST DIMENSIONS ACCORDINGLY FOR ALTERNATE RIM HEIGHT.



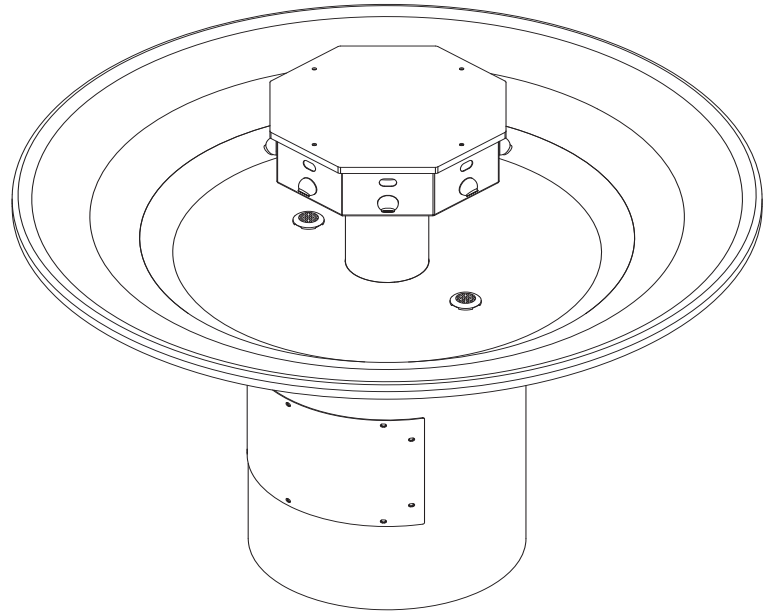
WALL MOUNTED ROUGH-IN SHOWN FOR FLOOR MOUNTED ROUGH-IN CONTACT FACTORY

visit our website at www.willoughby-ind.com
 5105 West 78th Street • Indianapolis, IN. 46268
 (317) 875-0830 • Fax: (317) 875-0837 • (800) 428-4065



MADE IN THE U.S.A.

WWF-5406/5408 Six and Eight Station Full Round 54" Stainless Steel Deep Bowl Washfountain



(Unit may be shown with optional features)

To specify fixture and accessories, use the Model Number and Options page.
Example: To specify an 8 Station Full Round, 54" Stainless Steel, Deep Bowl Washfountain with standard floor mounting (34" rim height), hard-wired infrared sensors, and supplies from below
Use the following Willoughby Model Number:
WWF-5408-FLR-IR-SB

Recommended Specifications

Full Round, 54" Stainless Steel, Deep Bowl Washfountain shall be: Willoughby Model No. **WWF-540**____ (select from model number and options list on next page)

Washfountain shall accommodate from 1 to 6 users simultaneously for the 6 station or 1 to 8 users simultaneously for the 8 station. Washfountain bowl is constructed of **12 GA. stainless steel**. Pedestal and water distribution head shall be constructed of heavy gauge, Type 304 stainless steel. Head cover shall be constructed of Aquasurf® solid surface material (Grey Granite color). Exposed stainless steel surfaces shall be polished to a #3 satin finish.

The push buttons and water spray nozzles shall be machined Type 303 stainless steel. Drain grate shall be constructed of heavy gauge stainless steel. The sprayhead module shall be equipped with independent spray nozzles; each controlled by a separate push button or infrared sensor. Flow restrictor shall maintain flow rates at 0.5 GPM per station.

All washfountains shall be supplied with thermostatic mixing valves, checkstops and strainers, drain spud, flexible supply hoses, control valves, color coded water lines and Class II, 120/24 VAC plug-in transformers (as needed)*. Operating supply water pressure range is 25-80 PSI.

Vandal resistance:

All spray nozzles, push buttons, infrared sensors and escutcheons are secured to the unit from within the sprayhead. Valves, water supplies and waste connections are concealed within the pedestal. Removable access panels are secured with vandal resistant security Torx screws. Unit is shipped pre-assembled.

ADA, TAS, and ANSI Compliant:

At the standard 34" adult rim height, all stations are designed to comply with applicable ADA, TAS, and ANSI Z124.3 and Z124.6 accessibility guidelines.

This excludes Floor Mounted Foot Operated (FO) models.

Optional Features:

Willoughby washfountains offer liquid soap dispensers and a stainless steel head cover as optional accessories. Willoughby washfountains can be ordered with 31" rim heights for juvenile use (JR) (Junior ADA Compliant).

* *Note:* Plug-in transformer must be used with a ground fault interrupter (GFCI) receptacle to prevent possible electrical shock.

visit our website at www.willoughby-ind.com
5105 West 78th Street • Indianapolis, IN. 46268
(317) 875-0830 • Fax: (317) 875-0837 • (800) 428-4065



MADE IN THE U.S.A.

MODEL NUMBER AND OPTIONS:

1.) Base Model Number:

- WWF-5406 6 Station Full Round 54" Stainless Steel, Deep Bowl Washfountain
- WWF-5408 8 Station Full Round 54" Stainless Steel, Deep Bowl Washfountain

2.) Pedestal Type:

- FLR Floor Mounted (Standard)

3.) Junior Height Option:

- JR Junior Height (31" Rim Height, JR. ADA Compliant)

4.) Valve Actuation:

- PPB1 Standard Pneumatic Push Buttons for Single Temperature Pneumatic Metering Valves
- PZPB1 Piezo Electronic Push Buttons for Single Temperature Electronic Valves (w/ Pneutronic Control)*
- IR Infrared Sensors, Hard-wired*
- BO Infrared Sensors, Battery Operated
- FO Foot Operated Pneumatic Push Buttons (Not ADA Compliant)

5.) Water Supply:

- SB Supply From Below (Standard)
- SA Supply From Above (**Option** (TSHWF) recommended)

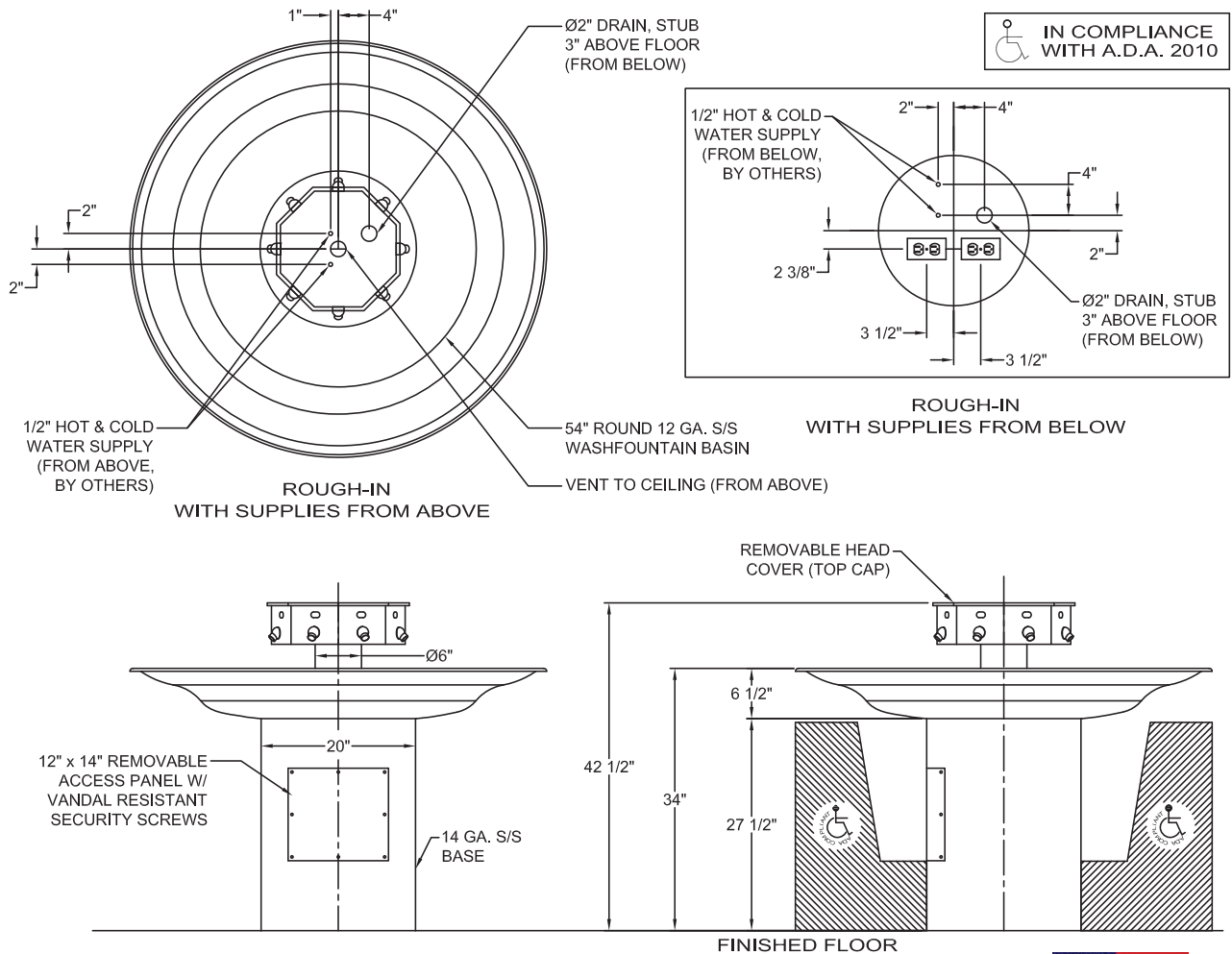
6.) Other Options:

- LSD Liquid Soap Dispensers (2)
- TL Less In-line Thermostatic Mixing Valve
- SSC Stainless Steel Head Cover (Top Cap)
- TSHWF Telescoping Washfountain Shroud (For use on (SA) models only)
- LSH 1.5 gpm Laminar Flow Sprayheads
- Other _____
- Other _____

*(Req. 110V power through ground fault interrupter (GFCI) receptacles)

Approved For Manufacturing By: _____ Date: _____ Company: _____
 Wall Thickness: _____ Wall Type: _____

VERIFY ALL DIMENSIONS WITH FACTORY PRIOR TO ROUGH-IN
 WILLOUGHBY RESERVES THE RIGHT TO MAKE CHANGES IN DESIGN AND DIMENSIONS WITHOUT FORMAL NOTICE AND WITHOUT INCURRING OBLIGATION.



IN COMPLIANCE WITH A.D.A. 2010

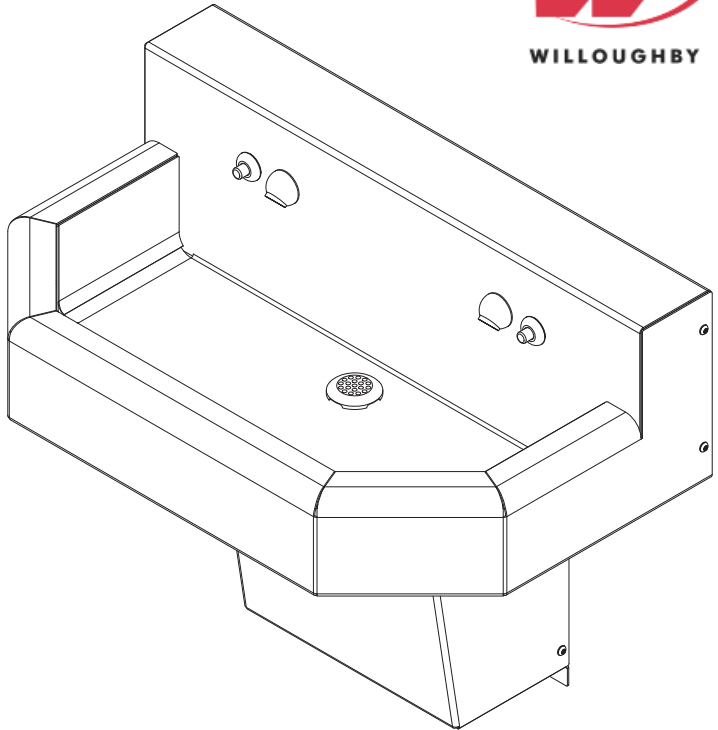
visit our website at www.willoughby-ind.com
 5105 West 78th Street • Indianapolis, IN. 46268
 (317) 875-0830 • Fax: (317) 875-0837 • (800) 428-4065



MADE IN THE U.S.A.



CEL-2817-2 / 4818-3 Multi-station Stainless Steel Washfountain



(Unit may be shown with optional features)



**IN COMPLIANCE
WITH A.D.A. 2010**

To specify fixture and accessories, use the Model Number and Options page.

Example: To specify a Multi-station, Stainless Steel Washfountain with 2 stations, and hard-wired infrared sensors

Use the following Willoughby Model Number:

CEL-2817-2-IR

Recommended Specifications

Multi-station, Stainless Steel Washfountain shall be:
Willoughby Model No. **CEL-___**
(select from model number and options list on next page)

Washfountain shall accommodate from 1 to 2 users simultaneously for the 2 station or 1 to 3 users simultaneously for the 3 station. Fixture shall be fabricated from 14 GA, Type 304 stainless steel. The construction is all welded (excluding removable stainless steel shroud), with exposed stainless steel surfaces polished to a #3 satin finish.

Standard lavatory shall include:

- Integrally welded 4-1/2" deep lavatory basin
- Stainless steel spray nozzles with 0.5 GPM flow restrictors
- Machined stainless steel drain w/ tailpiece
- Stainless steel trap enclosure/pipe shroud

All washfountains shall be supplied with thermostatic mixing valves, checkstops and strainers, flexible supply hoses, control valves, color coded water lines and Class II, 120/24 VAC plug-in transformers (as needed)*.

Vandal resistance:

All spray nozzles, push buttons, infrared sensors, and escutcheons are secured to the unit from within the sprayhead. Valves, water supplies and waste connections are concealed within the pedestal. Removable access panels are secured with vandal resistant security Torx screws. Unit is shipped pre-assembled.

Mounting:

Anchoring shall be from the front with 'z' clip and anchoring holes provided. Anchoring hardware by others. Wall requires adequate backing to support lavatory. Unit requires no chase area for installation and maintenance.

ADA, TAS, and ANSI Compliant:

When the lavatory is mounted at the standard 34" adult rim height, it complies with applicable ADA, TAS, and ANSI Z124.3 and Z124.6 accessibility guidelines. Lavatory can be ordered with 31" rim height for juvenile use (JR).

* **Note:** Plug-in transformer must be used with a ground fault interrupter (GFCI) receptacle to prevent possible electrical shock.

visit our website at www.willoughby-ind.com
5105 West 78th Street • Indianapolis, IN. 46268
(317) 875-0830 • Fax: (317) 875-0837 • (800) 428-4065



MADE IN THE U.S.A.

MODEL NUMBER AND OPTIONS:

1.) Base Model Number:

- CEL-2817-2 CEL-Series 2 Station Washfountain, 28" Width
- CEL-4818-3 CEL-Series 3 Station Washfountain, 48" Width

2.) Junior Height Option:

- JR Junior Height (31" Rim Height, JR. ADA Compliant)

3.) Valve Actuation:

- PPB1 Standard Pneumatic Push Buttons for Single Temperature Pneumatic Metering Valves
- PZPB1 Piezo Electronic Push Buttons for Single Temperature Electronic Valves (w/ Pneutronic Control)*
- IR Infrared Sensors, Hard-wired*
- BO Infrared Sensors, Battery Operated

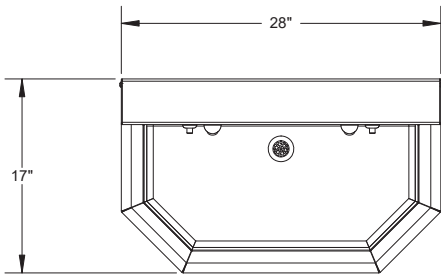
4.) Other Options:

- TL Less In-line Thermostatic Mixing Valve
- LE Less Trap Enclosure
- DC Decorator Color (Fixture exterior only - White)
- LSH 1.5 gpm Laminar Flow Sprayheads
- Other _____
- Other _____

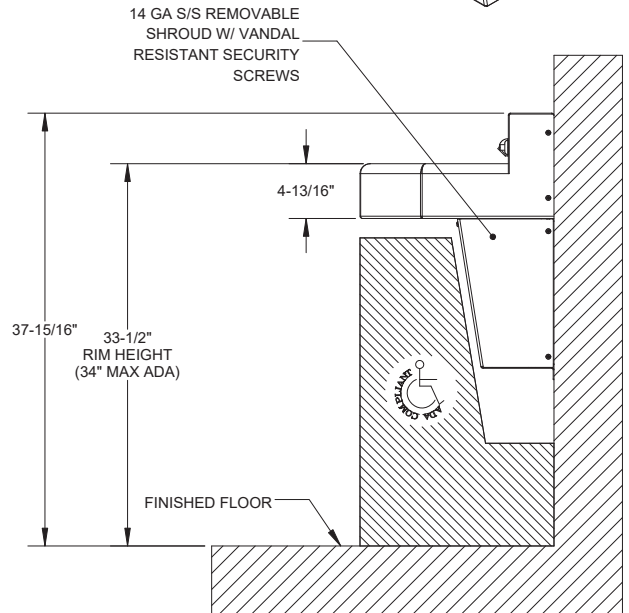
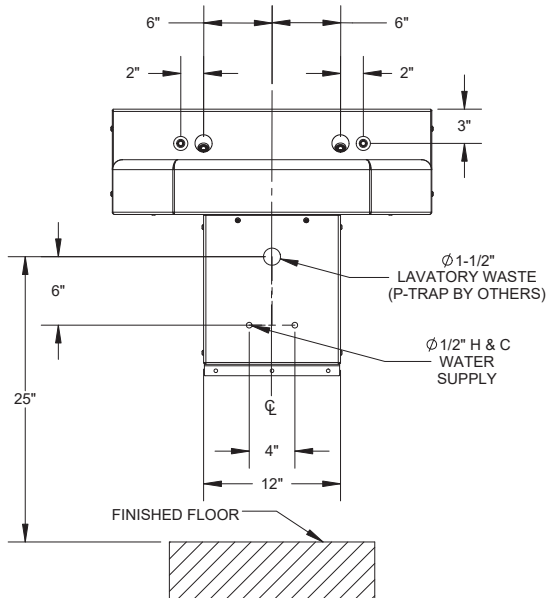
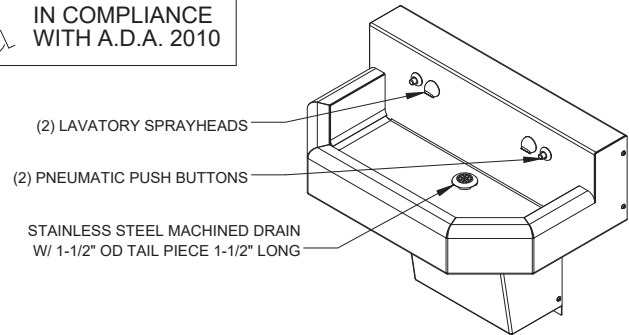
*(Req. 110V power through ground fault interrupter (GFCI) receptacle)

Approved For Manufacturing By: _____ Date: _____ Company: _____
 Wall Thickness: _____ Wall Type: _____

VERIFY ALL DIMENSIONS WITH FACTORY PRIOR TO ROUGH-IN
 WILLOUGHBY RESERVES THE RIGHT TO MAKE CHANGES IN DESIGN AND DIMENSIONS WITHOUT FORMAL NOTICE AND WITHOUT INCURRING OBLIGATION.



 **IN COMPLIANCE WITH A.D.A. 2010**

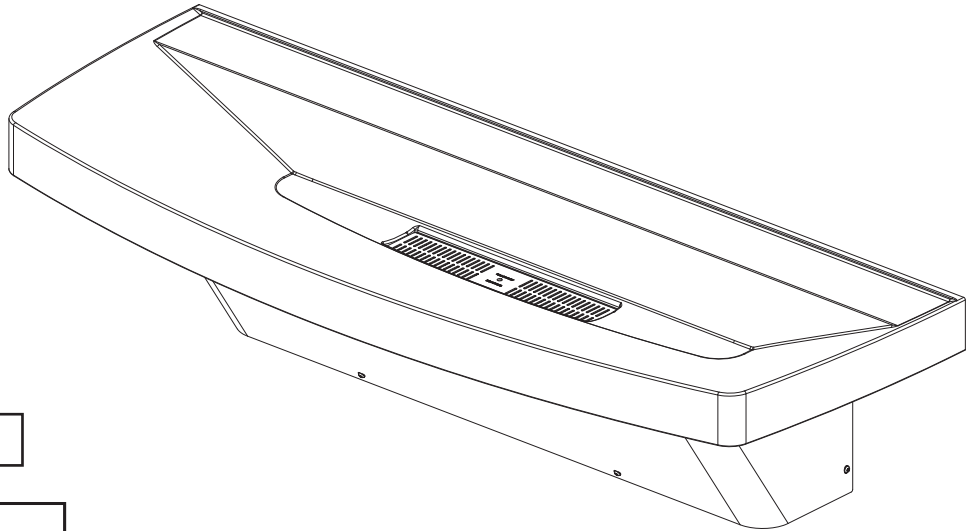


visit our website at www.willoughby-ind.com
 5105 West 78th Street • Indianapolis, IN. 46268
 (317) 875-0830 • Fax: (317) 875-0837 • (800) 428-4065



MADE IN THE U.S.A.

WELS-2260 Envy Series Two Station Solid Surface Lavatory System



PATENT PENDING



IN COMPLIANCE
WITH A.D.A. 2010

(Unit may be shown with optional features)

To specify fixture and accessories, use the Model Number and Options page.

Example: To specify an Envy Series Two Station Solid Surface Lavatory System with standard wall mounting (34" rim height), two sets of 1" Center Shank faucet holes, in White Granite color

Use the following Willoughby Model Number:

WELS-2260-WALL-1CC-WG

Recommended Specifications

Envy Series Two Station Solid Surface Lavatory System shall be:
Willoughby Model No. **WELS-2260**
(select from model number and options list on next page)

Envy Two Station Solid Surface Lavatory System shall accommodate 1 to 2 users simultaneously. The single-piece lavatory bowl is constructed of Aquasurf® molded cast polymer densified solid surface material, composed of polyester/acrylic resin, UV stabilizer, aluminum trihydrate, and mineral fillers.

Wall-mounted pedestal shall be fabricated entirely from T304 stainless steel, and will feature a removable shroud access panel for ease of fixture installation and maintenance. Included drain grate shall be constructed of heavy gauge stainless steel, and will secure directly to the drain assembly. All exposed stainless steel surfaces shall be polished to a #4 satin finish.

Vandal resistance:

Valves (by others), water supplies, and waste connections are concealed within the pedestal. Removable stainless steel access panel is secured with vandal-resistant security screws. The Aquasurf® solid surface material is resistant to stains, impact and burns. Surface damage can be easily repaired with everyday cleansers and/or fine grit abrasives.

ADA and ANSI Compliant:

The lavatory is designed to comply with all applicable ADA and ANSI Z124.3 and Z124.6 accessibility guidelines, whether mounted at standard adult rim height (34" Max A.F.F.) or (JR) junior height (31" Max A.F.F.)

Optional Features:

Envy Lavatory Systems offer a wall mounted stainless steel kick plate (KPWW) for installations with floor-based plumbing rough-ins.

visit our website at www.willoughby-ind.com

5105 West 78th Street • Indianapolis, IN. 46268

(317) 875-0830 • Fax: (317) 875-0837 • (800) 428-4065



MADE IN THE U.S.A.

MODEL NUMBER AND OPTIONS:

1.) Washfountain Model:

- WELS-2260 Envy Series Two Station Solid Surface Lavatory System

2.) Pedestal Type:

- WALL Wall Mounted, Low-profile, All-Stainless Steel Shroud (Standard)

3.) Junior Height Option:

- JR Junior Height (31" Rim Height, JR. ADA Compliant)

4.) Faucet Drilling:

- NV No Valve, No Faucet Holes (Standard)
 4CC Set of 4" Centerset, Ø1" Holes (Specify 2 or 3 holes: ___)
 8CC Set of 8" Centerset, Ø1" Holes (Specify 2 or 3 holes: ___)
 1CC Center Shank, (1) Ø1" Hole
 SP Special Drilling (Specify hole diameter and dimensions)
 SP: _____

5.) Solid Surface Colors:

- BN Bone
 GW Glacier White
 GG Grey Granite
 SS Sandstone
 WG White Granite
 BG Black Granite
 NB Nocturnal Blue
 RC Red Coral
 SG Sea Green

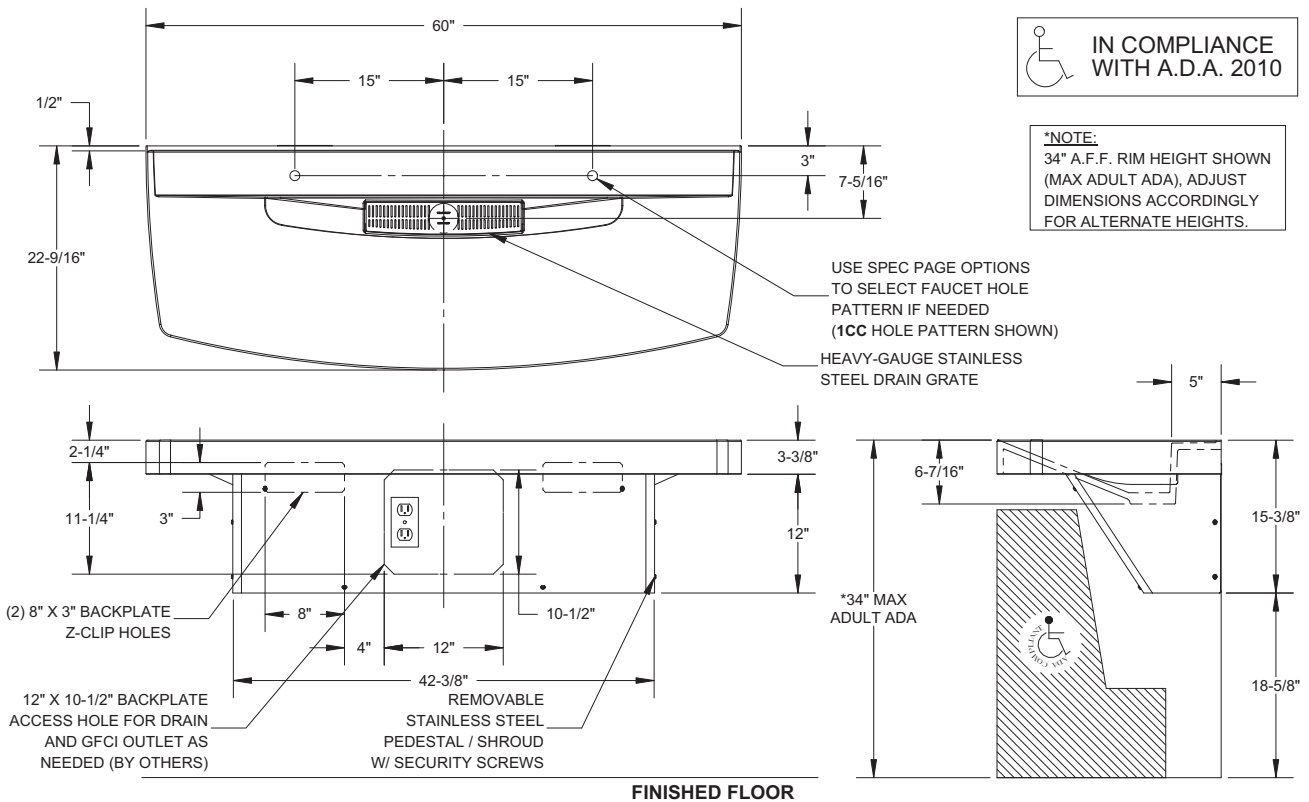
6.) Other Options:

- KPEV Wall Mounted Stainless Steel Kick Plate
 Other _____
 Other _____

PATENT PENDING

Approved For Manufacturing By: _____ Date: _____ Company: _____
 Wall Thickness: _____ Wall Type: _____

VERIFY ALL DIMENSIONS WITH FACTORY PRIOR TO ROUGH-IN
 WILLOUGHBY RESERVES THE RIGHT TO MAKE CHANGES IN DESIGN AND DIMENSIONS WITHOUT FORMAL NOTICE AND WITHOUT INCURRING OBLIGATION.



***NOTE:**
 34" A.F.F. RIM HEIGHT SHOWN (MAX ADULT ADA), ADJUST DIMENSIONS ACCORDINGLY FOR ALTERNATE HEIGHTS.

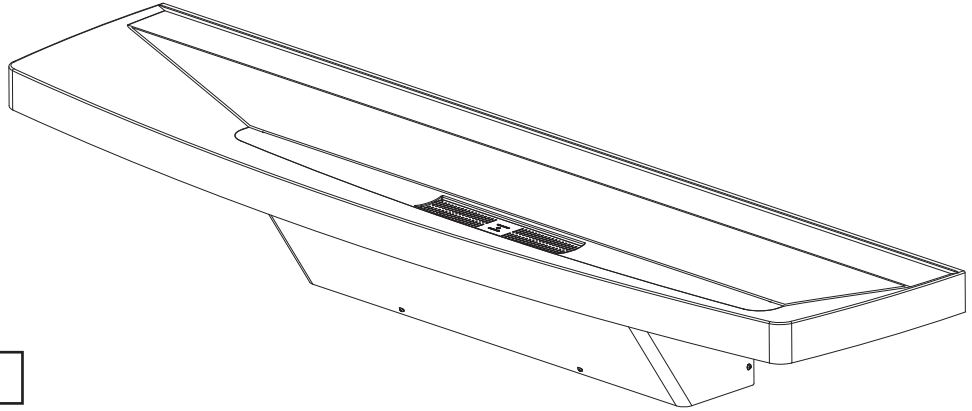
visit our website at www.willoughby-ind.com
 5105 West 78th Street • Indianapolis, IN. 46268
 (317) 875-0830 • Fax: (317) 875-0837 • (800) 428-4065



MADE IN THE U.S.A.



WELS-2290 Envy Series Three Station Solid Surface Lavatory System



PATENT PENDING



IN COMPLIANCE
WITH A.D.A. 2010

(Unit may be shown with optional features)

To specify fixture and accessories, use the Model Number and Options page.

Example: To specify an Envy Series Three Station Solid Surface Lavatory System with standard wall mounting (34" rim height), three sets of 1" Center Shank faucet holes, in Sandstone color

Use the following Willoughby Model Number:

WELS-2290-WALL-1CC-SS

Recommended Specifications

Envy Series Three Station Solid Surface Lavatory System shall be: Willoughby Model No. **WELS-2290**
(select from model number and options list on next page)

Envy Three Station Solid Surface Lavatory System shall accommodate 1 to 3 users simultaneously. The single-piece lavatory bowl is constructed of Aquasurf® molded cast polymer densified solid surface material, composed of polyester/acrylic resin, UV stabilizer, aluminum trihydrate, and mineral fillers.

Wall-mounted pedestal shall be fabricated entirely from T304 stainless steel, and will feature a removable shroud access panel for ease of fixture installation and maintenance. Included drain grate shall be constructed of heavy gauge stainless steel, and will secure directly to the drain assembly. All exposed stainless steel surfaces shall be polished to a #4 satin finish.

Vandal resistance:

Valves (by others), water supplies, and waste connections are concealed within the pedestal. Removable stainless steel access panel is secured with vandal-resistant security screws. The Aquasurf® solid surface material is resistant to stains, impact and burns. Surface damage can be easily repaired with everyday cleansers and/or fine grit abrasives.

ADA and ANSI Compliant:

The lavatory is designed to comply with all applicable ADA and ANSI Z124.3 and Z124.6 accessibility guidelines, whether mounted at standard adult rim height (34" Max A.F.F.) or (JR) junior height (31" Max A.F.F.)

Optional Features:

Envy Lavatory Systems offer a wall mounted stainless steel kick plate (KPWW) for installations with floor-based plumbing rough-ins.

visit our website at www.willoughby-ind.com

5105 West 78th Street • Indianapolis, IN. 46268

(317) 875-0830 • Fax: (317) 875-0837 • (800) 428-4065



MADE IN THE U.S.A.

MODEL NUMBER AND OPTIONS:

1.) Washfountain Model:

- WELS-2290 Envoy Series Three Station Solid Surface Lavatory System

2.) Pedestal Type:

- WALL Wall Mounted, Low-profile, All-Stainless Steel Shroud (Standard)

3.) Junior Height Option:

- JR Junior Height (31" Rim Height, JR. ADA Compliant)

4.) Faucet Drilling:

- NV No Valve, No Faucet Holes (Standard)
 4CC Set of 4" Centerset, Ø1" Holes (Specify 2 or 3 holes: ___)
 8CC Set of 8" Centerset, Ø1" Holes (Specify 2 or 3 holes: ___)
 1CC Center Shank, (1) Ø1" Hole
 SP Special Drilling (Specify hole diameter and dimensions)
 SP: _____

5.) Solid Surface Colors:

- BN Bone
 GW Glacier White
 GG Grey Granite
 SS Sandstone
 WG White Granite
 BG Black Granite
 NB Nocturnal Blue
 RC Red Coral
 SG Sea Green

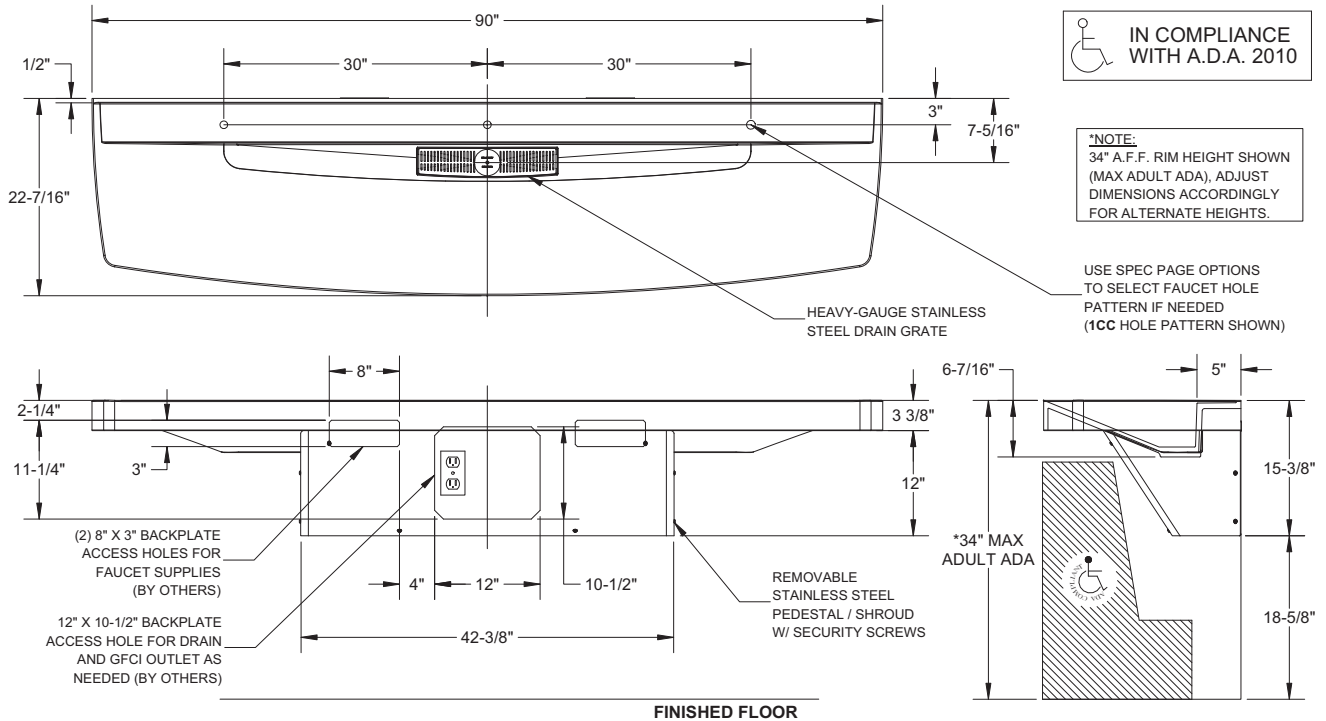
6.) Other Options:

- KPEV Wall Mounted Stainless Steel Kick Plate
 Other _____
 Other _____

PATENT PENDING

Approved For Manufacturing By: _____ Date: _____ Company: _____
 Wall Thickness: _____ Wall Type: _____

VERIFY ALL DIMENSIONS WITH FACTORY PRIOR TO ROUGH-IN
 WILLOUGHBY RESERVES THE RIGHT TO MAKE CHANGES IN DESIGN AND DIMENSIONS WITHOUT FORMAL NOTICE AND WITHOUT INCURRING OBLIGATION.



IN COMPLIANCE WITH A.D.A. 2010

***NOTE:**
 34" A.F.F. RIM HEIGHT SHOWN (MAX ADULT ADA), ADJUST DIMENSIONS ACCORDINGLY FOR ALTERNATE HEIGHTS.

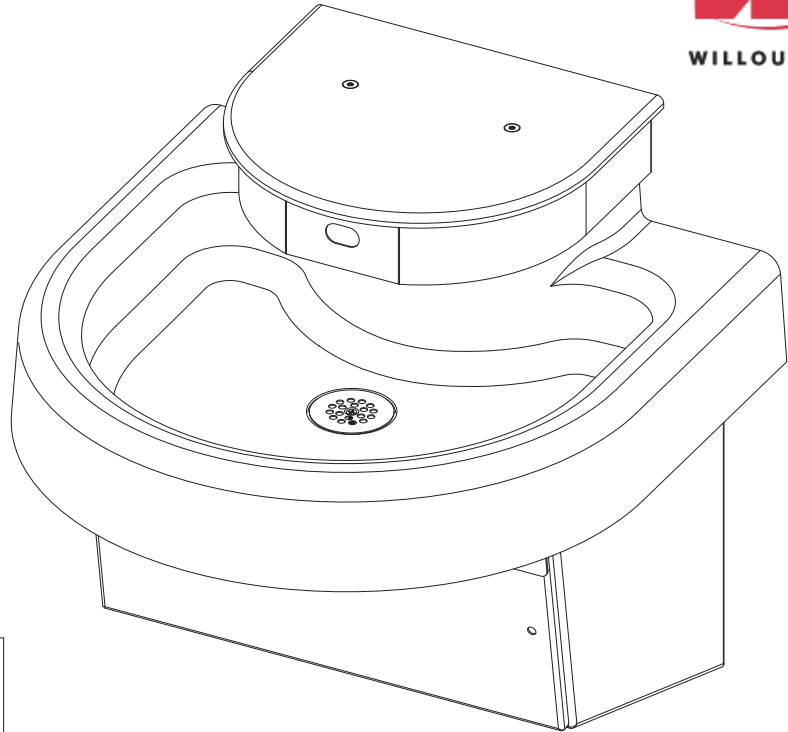
USE SPEC PAGE OPTIONS TO SELECT FAUCET HOLE PATTERN IF NEEDED (1CC HOLE PATTERN SHOWN)

visit our website at www.willoughby-ind.com
 5105 West 78th Street • Indianapolis, IN. 46268
 (317) 875-0830 • Fax: (317) 875-0837 • (800) 428-4065



MADE IN THE U.S.A.

WAW-2311 AquaWave® Single Station Solid Surface Lavatory System



(Unit may be shown with optional features)

To specify fixture and accessories, use the Model Number and Options page.

Example: To specify a single station AquaWave® lavatory with wall mounting, hard-wired infrared sensor actuation, and Bone color

Use the following Willoughby Model Number:
WAW-2311-WALL-IR-BN

Recommended Specifications

AquaWave® Single Station, Solid Surface Lavatory System shall be: Willoughby Model No. **WAW-2311** (select from model number and options list on next page.)

AquaWave® Lavatory System shall accommodate 1 user. The lavatory system bowl, top, and pedestal panel are constructed of Aquasurf® molded cast polymer densified solid surface material composed of polyester/acrylic resin, UV stabilizer, aluminum trihydrate and mineral fillers. The pre-assembled water distribution head and low-profile pedestal base shall be constructed of heavy gauge, Type 304 stainless steel (the pedestal backplate is galvanized). Exposed stainless steel surfaces shall be polished to a #4 satin finish.

Push button and water spray nozzle shall be constructed of type 303 stainless steel. The drain grate shall be constructed of heavy gauge stainless steel. The pre-assembled sprayhead module shall be equipped with independent spray nozzle controlled by a push button or infrared sensor. Flow restrictor shall maintain flow rates at 0.5 GPM per station.

AquaWave® Lavatory Systems shall be supplied with thermostatic mixing valves, integral checkstops, drain spuds, flexible supply hoses, control valves, color coded water lines, and Class II 120/24 VAC plug-in transformers (as needed)*. Operating supply water pressure range is 25-80 PSI.

Vandal resistance:

The spray nozzles, push buttons, infrared sensors, and escutcheons are secured to the unit from within the head kit. Valves, water supplies, and waste connections are concealed within the pedestal. Removable access panels are secured with vandal-resistant security Torx screws. The Aquasurf® solid surface material is resistant to stains, impact and burns. Surface damage can be easily repaired with everyday cleansers and/or fine grit abrasives.

ADA, TAS, and ANSI Compliant:

The lavatory is designed is designed to comply with all applicable ADA, TAS, and ANSI Z124.3 and Z124.6 accessibility guidelines, whether mounted at standard adult rim height (34" Max AFF) or junior height (31" Max AFF).

Optional Features:

AquaWave® Lavatory Systems offer liquid soap dispensers as optional accessories.

* *Note:* Plug-in transformer must be used with a ground fault interrupter (GFCI) receptacle to prevent possible electrical shock.

visit our website at www.willoughby-ind.com
5105 West 78th Street • Indianapolis, IN. 46268
(317) 875-0830 • Fax: (317) 875-0837 • (800) 428-4065



MADE IN THE U.S.A.

MODEL NUMBER AND OPTIONS:

1.) Washfountain Model:

- WAW-2311 AquaWave® 1 Station Solid Surface Lavatory System

2.) Pedestal Type:

- WALL Wall Mounted, Low-profile, with Solid Surface Panels (Standard)
 WSPS Wall Mounted, Low-profile, All-Stainless Steel Shroud

3.) Valve Actuation:

- PPB1 Standard Pneumatic Push Button for Single Temperature Pneumatic Metering
 PPB2 Standard Pneumatic Push Buttons for Dual Temperature Pneumatic Metering
 PZPB1 Piezo Electronic Push Button for Single Temperature Electronic (w/ Pneutronic Control)*
 PZPB2 Piezo Electronic Push Buttons for Dual Temperature Electronic (w/ Pneutronic Control)*
 IR Infrared Sensors, Hard-wired*
 BO Infrared Sensors, Battery Operated

4.) Solid Surface Colors:

- BN Bone
 GW Glacier White
 GG Grey Granite
 SS Sandstone
 WG White Granite
 BG Black Granite
 NB Nocturnal Blue
 RC Red Coral
 SG Sea Green

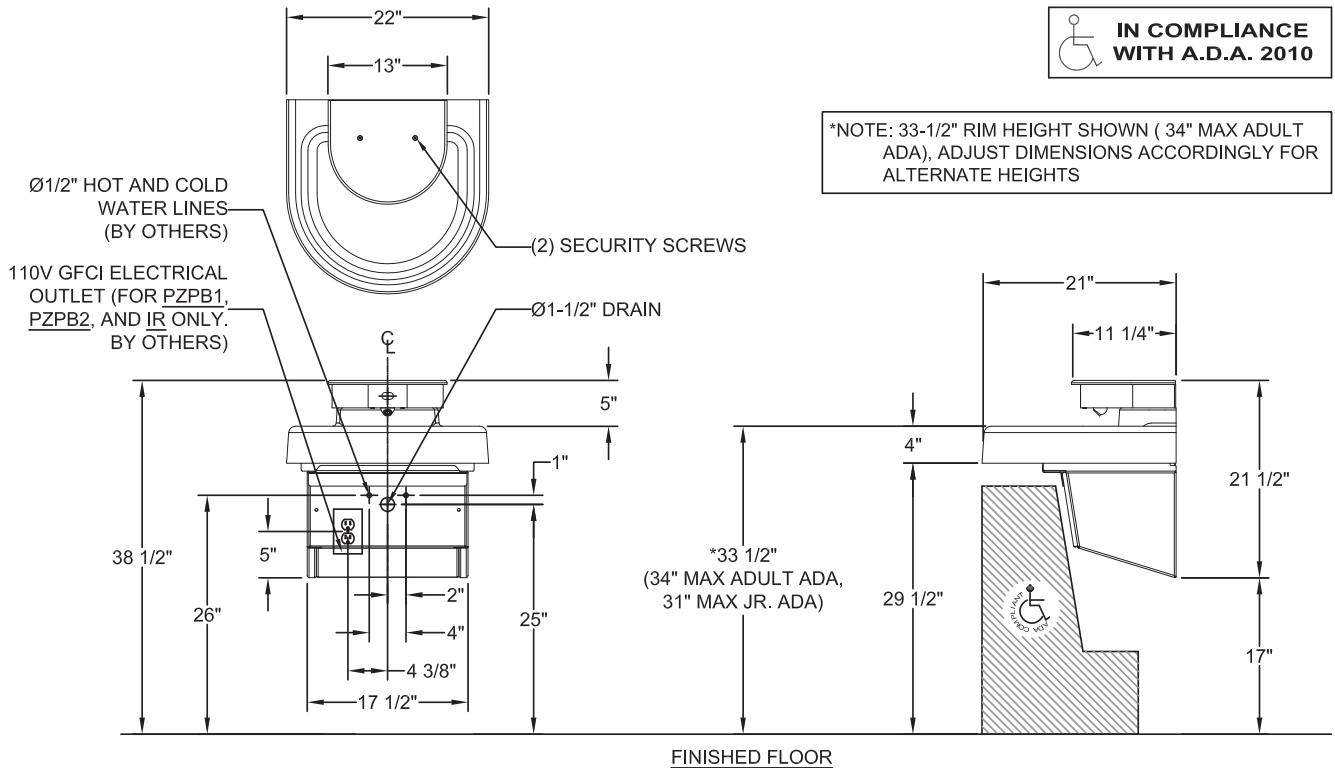
5.) Other Options:

- LSDM Liquid Soap Dispenser- Deck-mounted Spout and Bottle
 TL Less In-line Thermostatic Mixing Valve
 LSH 1.5 gpm Laminar Flow Sprayhead
 Other _____
 Other _____

*(Req. 110V power through ground fault interrupter (GFCI) receptacle)

Approved For Manufacturing By: _____ Date: _____ Company: _____
 Wall Thickness: _____ Wall Type: _____

VERIFY ALL DIMENSIONS WITH FACTORY PRIOR TO ROUGH-IN
 WILLOUGHBY RESERVES THE RIGHT TO MAKE CHANGES IN DESIGN AND DIMENSIONS WITHOUT FORMAL NOTICE AND WITHOUT INCURRING OBLIGATION.



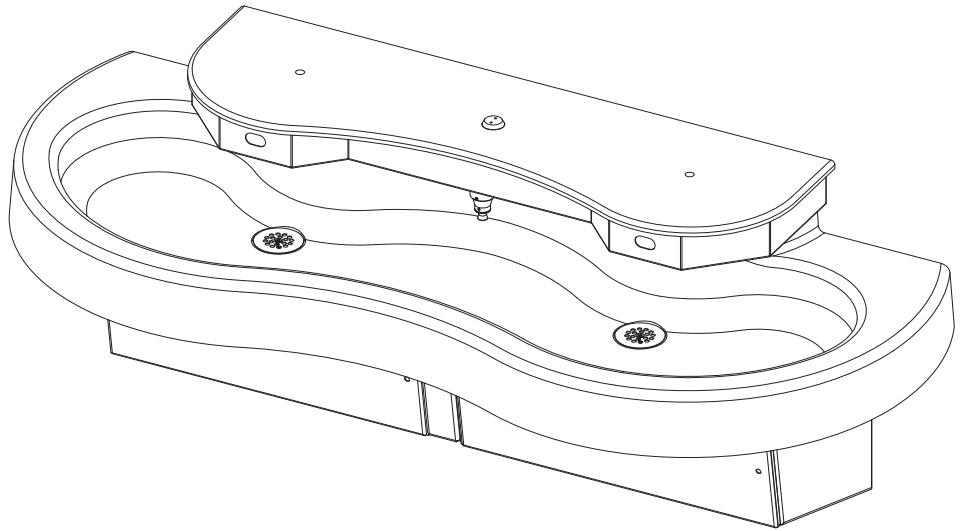
IN COMPLIANCE WITH A.D.A. 2010

visit our website at www.willoughby-ind.com
 5105 West 78th Street • Indianapolis, IN. 46268
 (317) 875-0830 • Fax: (317) 875-0837 • (800) 428-4065



MADE IN THE U.S.A.

WAW-2322 AquaWave® Two Station Solid Surface Lavatory System



IN COMPLIANCE
WITH A.D.A. 2010

(Unit may be shown with optional features)

To specify fixture and accessories, use the Model Number and Options page.

Example: To specify a two station AquaWave® lavatory with standard wall mounting (34" rim height), hard-wired infrared sensors, Glacier White color, and liquid soap dispenser

Use the following Willoughby Model Number:
WAW-2322-WALL-IR-GW-LSD

Recommended Specifications

AquaWave® Two Station, Solid Surface Lavatory System shall be: Willoughby Model No. **WAW-2322** (select from model number and options list on next page)

AquaWave® Lavatory System shall accommodate 1-2 users simultaneously. The lavatory system bowl, top, and pedestal panels are constructed of Aquasurf® molded cast polymer densified solid surface material composed of polyester/acrylic resin, UV stabilizer, aluminum trihydrate and mineral fillers. The pre-assembled water distribution head and low-profile pedestal base shall be constructed of heavy gauge, Type 304 stainless steel (the pedestal backplate is galvanized). Exposed stainless steel surfaces shall be polished to a #4 satin finish.

Push buttons and water spray nozzles shall be constructed of type 303 stainless steel. The drain grates shall be constructed of heavy gauge stainless steel. The pre-assembled sprayhead module shall be equipped with independent spray nozzles controlled by push buttons or infrared sensors. Flow restrictors shall maintain flow rates at 0.5 GPM per station.

AquaWave® Lavatory Systems shall be supplied with thermostatic mixing valves, integral checkstops, drain spuds, flexible supply hoses, control valves, color coded water lines, and Class II 120/24 VAC plug-in transformers (as needed)*. Operating supply water pressure range is 25-80 PSI.

Vandal resistance:

The spray nozzles, push buttons, infrared sensors, and escutcheons are secured to the unit from within the head kit. Valves, water supplies, and waste connections are concealed within the pedestal. Removable access panels are secured with vandal-resistant security Torx screws. The Aquasurf® solid surface material is resistant to stains, impact and burns. Surface damage can be easily repaired with everyday cleansers and/or fine grit abrasives.

ADA, TAS, and ANSI Compliant:

The lavatory is designed is designed to comply with all applicable ADA, TAS, and ANSI Z124.3 and Z124.6 accessibility guidelines, whether mounted at standard adult rim height (34" Max AFF) or (JR) junior height (31" Max AFF).

Optional Features:

AquaWave® Lavatory Systems offer liquid soap dispensers as optional accessories. A wall mounted stainless steel kick plate (KPWF) is available for installations with floor-based plumbing rough-ins.

* *Note:* Plug-in transformer must be used with a ground fault interrupter (GFCI) receptacle to prevent possible electrical shock.

visit our website at www.willoughby-ind.com
5105 West 78th Street • Indianapolis, IN. 46268
(317) 875-0830 • Fax: (317) 875-0837 • (800) 428-4065



MADE IN THE U.S.A.

MODEL NUMBER AND OPTIONS:

1.) Washfountain Model:

WAW-2322 AquaWave® 2 Station Solid Surface Lavatory System

2.) Pedestal Type:

WALL Wall Mounted, Low-profile, with Solid Surface Panels (Standard)
 WSPS Wall Mounted, Low-profile, All-Stainless Steel Shroud

3.) Junior Height Option:

JR Junior Height (31" Rim Height, JR. ADA Compliant)

4.) Valve Actuation:

PPB1 Standard Pneumatic Push Buttons for Single Temperature Pneumatic Metering
 PZPB1 Piezo Electronic Push Buttons for Single Temperature Electronic (w/ Pneumatic Control)*
 IR Infrared Sensors, Hard-wired*
 BO Infrared Sensors, Battery Operated

5.) Solid Surface Colors:

BN Bone
 GW Glacier White
 GG Grey Granite
 SS Sandstone
 WG White Granite
 BG Black Granite
 NB Nocturnal Blue
 RC Red Coral
 SG Sea Green

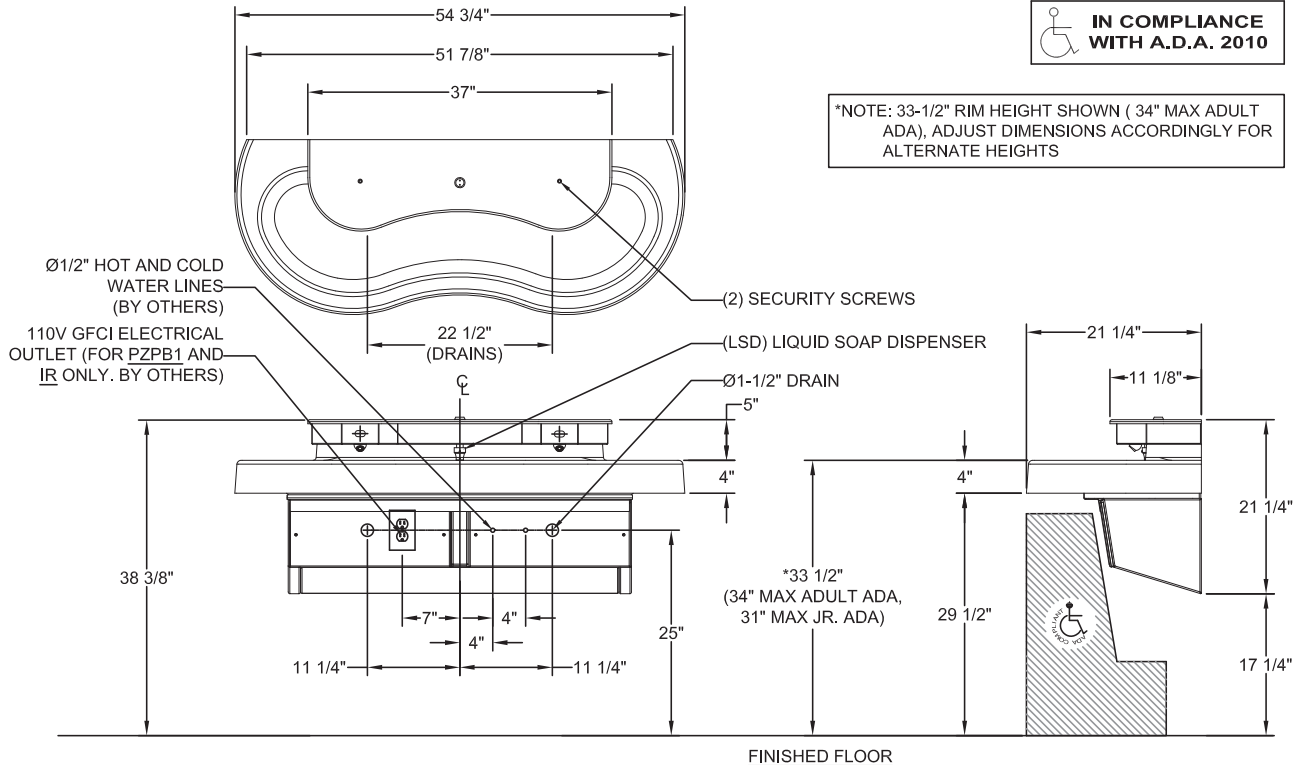
6.) Other Options:

LSD Liquid Soap Dispenser (1)
 TL Less In-line Thermostatic Mixing Valve
 KPWW Wall Mounted Stainless Steel Kick Plate
 LSH 1.5 gpm Laminar Flow Sprayheads
 Other _____
 Other _____

*(Req. 110V power through ground fault interrupter (GFCI) receptacle)

Approved For Manufacturing By: _____ Date: _____ Company: _____
 Wall Thickness: _____ Wall Type: _____

VERIFY ALL DIMENSIONS WITH FACTORY PRIOR TO ROUGH-IN
 WILLOUGHBY RESERVES THE RIGHT TO MAKE CHANGES IN DESIGN AND DIMENSIONS WITHOUT FORMAL NOTICE AND WITHOUT INCURRING OBLIGATION.

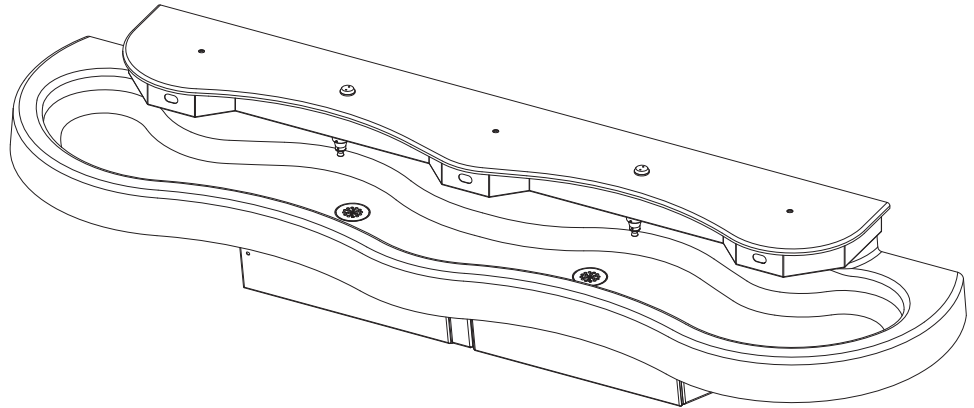


visit our website at www.willoughby-ind.com
 5105 West 78th Street • Indianapolis, IN. 46268
 (317) 875-0830 • Fax: (317) 875-0837 • (800) 428-4065



MADE IN THE U.S.A.

WAW-2333 AquaWave® Three Station Solid Surface Lavatory System



(Unit may be shown with optional features)

To specify fixture and accessories, use the Model Number and Options page.

Example: To specify a three station AquaWave® lavatory with standard wall mounting (34" rim height), battery operated infrared sensors, Grey Granite color, and liquid soap dispensers

Use the following Willoughby Model Number:

WAW-2333-WALL-BO-GG-LSD

Recommended Specifications

AquaWave® Three Station, Solid Surface Lavatory System shall be: Willoughby Model No. **WAW-2333** (select from model number and options list on next page)

AquaWave® Lavatory System shall accommodate 1-3 users simultaneously. The lavatory system bowl, top, and pedestal panels are constructed of Aquasurf® molded cast polymer densified solid surface material composed of polyester/acrylic resin, UV stabilizer, aluminum trihydrate and mineral fillers. The pre-assembled water distribution head and low-profile pedestal base shall be constructed of heavy gauge, Type 304 stainless steel (the pedestal backplate is galvanized). Exposed stainless steel surfaces shall be polished to a #4 satin finish.

Push buttons and water spray nozzles shall be constructed of type 303 stainless steel. The drain grates shall be constructed of heavy gauge stainless steel. The pre-assembled sprayhead module shall be equipped with independent spray nozzles controlled by push buttons or infrared sensors. Flow restrictors shall maintain flow rates at 0.5 GPM per station.

AquaWave® Lavatory Systems shall be supplied with thermostatic mixing valves, integral checkstops, drain spuds, flexible supply hoses, control valves, color coded water lines, and Class II 120/24 VAC plug-in transformers (as needed)*. Operating supply water pressure range is 25-80 PSI.

Vandal resistance:

The spray nozzles, push buttons, infrared sensors, and escutcheons are secured to the unit from within the head kit. Valves, water supplies, and waste connections are concealed within the pedestal. Removable access panels are secured with vandal-resistant security Torx screws. The Aquasurf® solid surface material is resistant to stains, impact and burns. Surface damage can be easily repaired with everyday cleansers and/or fine grit abrasives.

ADA, TAS, and ANSI Compliant:

The lavatory is designed is designed to comply with all applicable ADA, TAS, and ANSI Z124.3 and Z124.6 accessibility guidelines, whether mounted at standard adult rim height (34" Max AFF) or (JR) junior height (31" Max AFF).

Optional Features:

AquaWave® Lavatory Systems offer liquid soap dispensers as optional accessories. A wall mounted stainless steel kick plate (KPWF) is available for installations with floor-based plumbing rough-ins.

* *Note:* Plug-in transformer must be used with a ground fault interrupter (GFCI) receptacle to prevent possible electrical shock.

visit our website at www.willoughby-ind.com
5105 West 78th Street • Indianapolis, IN. 46268
(317) 875-0830 • Fax: (317) 875-0837 • (800) 428-4065



MADE IN THE U.S.A.

MODEL NUMBER AND OPTIONS:

1.) Washfountain Model:

WAW-2333 AquaWave® 3 Station Solid Surface Lavatory System

2.) Pedestal Type:

WALL Wall Mounted, Low-profile, with Solid Surface Panels (Standard)
 WSPS Wall Mounted, Low-profile, All-Stainless Steel Shroud

3.) Junior Height Option:

JR Junior Height (31" Rim Height, JR. ADA Compliant)

4.) Valve Actuation:

PPB1 Standard Pneumatic Push Buttons for Single Temperature Pneumatic Metering
 PZPB1 Piezo Electronic Push Buttons for Single Temperature Electronic (w/ Pneumatic Control)*
 IR Infrared Sensors, Hard-wired*
 BO Infrared Sensors, Battery Operated

5.) Solid Surface Colors:

BN Bone
 GW Glacier White
 GG Grey Granite
 SS Sandstone
 WG White Granite
 BG Black Granite
 NB Nocturnal Blue
 RC Red Coral
 SG Sea Green

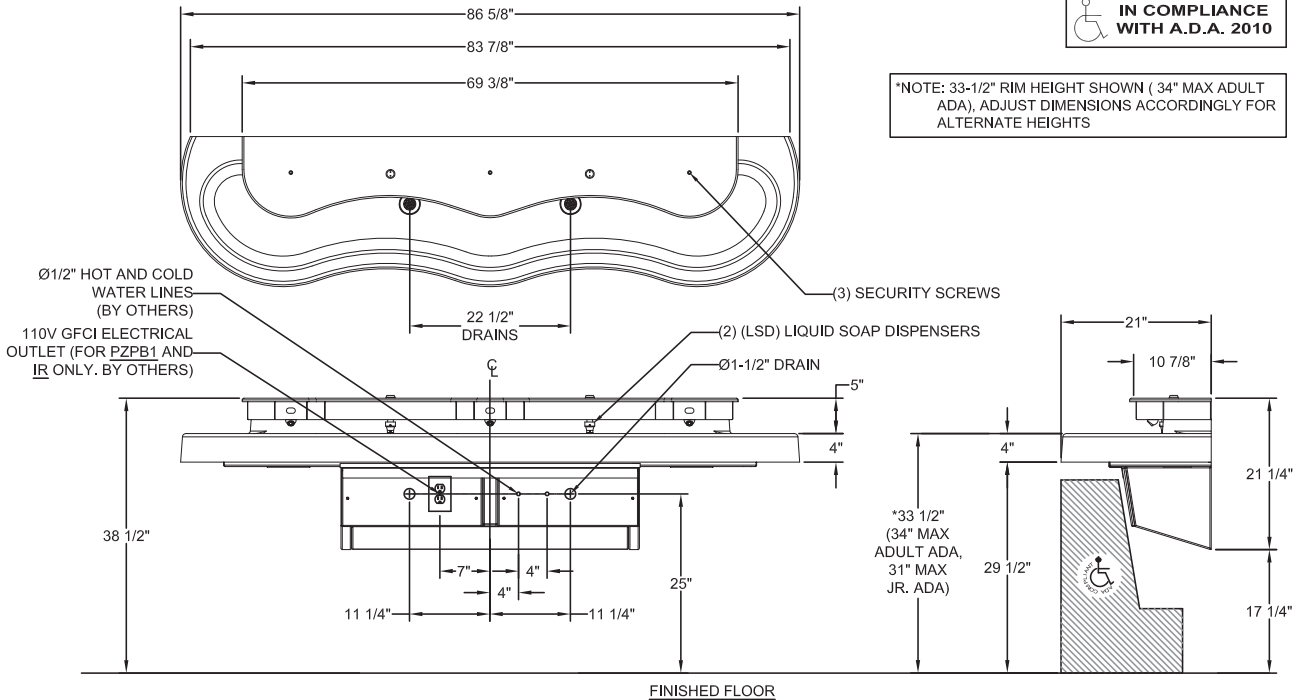
6.) Other Options:

LSD Liquid Soap Dispensers (2)
 TL Less In-line Thermostatic Mixing Valve
 KPWW Wall Mounted Stainless Steel Kick Plate
 LSH 1.5 gpm Laminar Flow Sprayheads
 Other _____
 Other _____

*(Req. 110V power through ground fault interrupter (GFCI) receptacle)

Approved For Manufacturing By: _____ Date: _____ Company: _____
 Wall Thickness: _____ Wall Type: _____

VERIFY ALL DIMENSIONS WITH FACTORY PRIOR TO ROUGH-IN
 WILLOUGHBY RESERVES THE RIGHT TO MAKE CHANGES IN DESIGN AND DIMENSIONS WITHOUT FORMAL NOTICE AND WITHOUT INCURRING OBLIGATION.

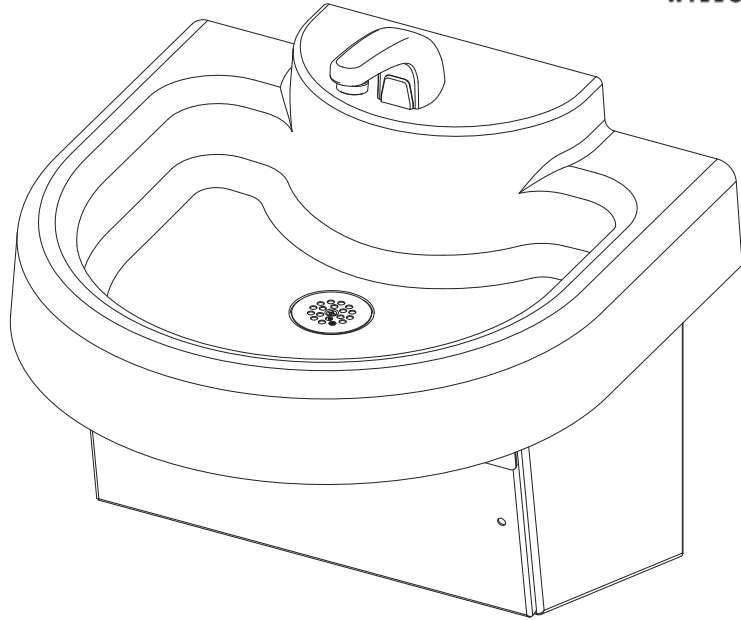


visit our website at www.willoughby-ind.com
 5105 West 78th Street • Indianapolis, IN. 46268
 (317) 875-0830 • Fax: (317) 875-0837 • (800) 428-4065



MADE IN THE U.S.A.

WAW-2311-DMF AquaWave® Single Station Solid Surface Lavatory System for (DMF) Deck Mounted Faucets



IN COMPLIANCE
WITH A.D.A. 2010

(FAUCETS SHOWN FOR ILLUSTRATIVE PURPOSES ONLY; FAUCETS SUPPLIED BY OTHERS)
(Unit may be shown with optional features)

To specify fixture and accessories, use the Model Number and Options page.

Example: To specify a single station AquaWave® lavatory for a deck mounted faucet with standard wall mounting, 31" junior ADA rim height, 1" Center Shank faucet hole, in Sandstone color

Use the following Willoughby Model Number:
WAW-2311-DMF-WALL-JR-1CC-SS

Recommended Specifications

AquaWave® Single Station, Solid Surface Lavatory System for use with Deck Mounted Faucet shall be:
Willoughby Model No. **WAW-2311-DMF**
(select from model number and options list on next page)

AquaWave® Lavatory System shall accommodate 1 user. The lavatory system bowl and pedestal panel are constructed of Aquasurf® molded cast polymer densified solid surface material composed of polyester/acrylic resin, UV stabilizer, aluminum trihydrate and mineral fillers. The pre-assembled low-profile pedestal base and included drain grate shall be constructed of heavy gauge, Type 304 stainless steel (the pedestal backplate is galvanized). Exposed stainless steel surfaces shall be polished to a #4 satin finish.

Vandal resistance:

Valve (by others), water supplies, and waste connection are concealed within the pedestal. Removable access panels are secured with vandal-resistant security Torx screws. The Aquasurf® solid surface material is resistant to stains, impact and burns. Surface damage can be easily repaired with everyday cleansers and/or fine grit abrasives.

ADA, TAS, and ANSI Compliant:

The lavatory is designed to comply with all applicable ADA, TAS, and ANSI Z124.3 and Z124.6 accessibility guidelines, whether mounted at standard adult rim height (34" Max AFF) or junior height (31" Max AFF).

Optional Features:

AquaWave® Lavatory Systems offer liquid soap dispensers as optional accessories.

visit our website at www.willoughby-ind.com

5105 West 78th Street • Indianapolis, IN. 46268
(317) 875-0830 • Fax: (317) 875-0837 • (800) 428-4065



MADE IN THE U.S.A.

MODEL NUMBER AND OPTIONS:

1.) Washfountain Model:

- WAW-2311-DMF AquaWave® 1 Station Solid Surface Lavatory System for Deck Mounted Faucet

2.) Pedestal Type:

- WALL Wall Mounted, Low-profile, with Solid Surface Panels (Standard)
 WSPS Wall Mounted, Low-profile, All-Stainless Steel Shroud

3.) Faucet Drilling:

- NV No Valve, No Faucet Holes (Standard)
 4CC Set of 4" Centerset, Ø1" Holes (Specify 2 or 3 holes: ___)
 8CC Set of 8" Centerset, Ø1" Holes (Specify 2 or 3 holes: ___)
 1CC Center Shank, (1) Ø1" Hole
 SP Special Drilling (Specify hole diameter and dimensions)
 SP: _____

4.) Solid Surface Colors:

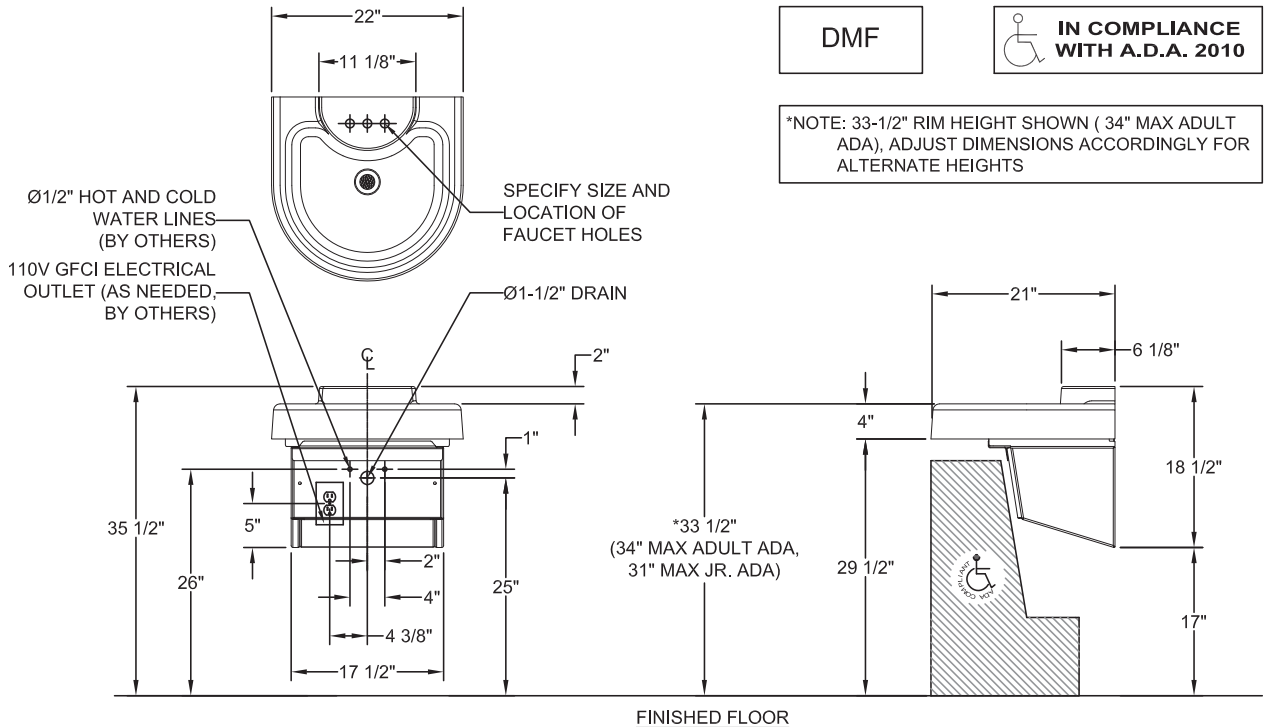
- BN Bone
 GW Glacier White
 GG Grey Granite
 SS Sandstone
 WG White Granite
 BG Black Granite
 NB Nocturnal Blue
 RC Red Coral
 SG Sea Green

5.) Other Options:

- LSDM Liquid Soap Dispenser- Deck-mounted Spout and Bottle
 Other _____
 Other _____

Approved For Manufacturing By: _____ Date: _____ Company: _____
 Wall Thickness: _____ Wall Type: _____

VERIFY ALL DIMENSIONS WITH FACTORY PRIOR TO ROUGH-IN
 WILLOUGHBY RESERVES THE RIGHT TO MAKE CHANGES IN DESIGN AND DIMENSIONS WITHOUT FORMAL NOTICE AND WITHOUT INCURRING OBLIGATION.

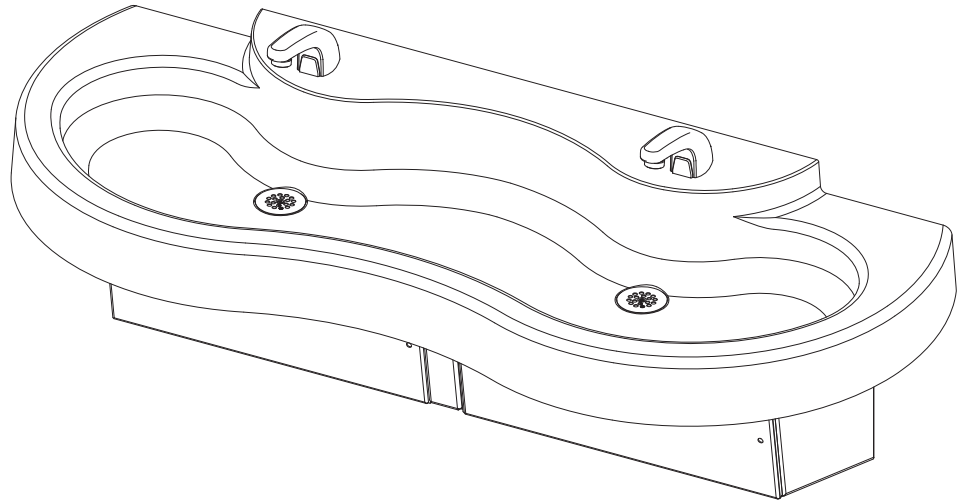


visit our website at www.willoughby-ind.com
 5105 West 78th Street • Indianapolis, IN. 46268
 (317) 875-0830 • Fax: (317) 875-0837 • (800) 428-4065



MADE IN THE U.S.A.

WAW-2322-DMF AquaWave® Two Station Solid Surface Lavatory System for (DMF) Deck Mounted Faucets



(FAUCETS SHOWN FOR ILLUSTRATIVE PURPOSES ONLY; FAUCETS SUPPLIED BY OTHERS)
(Unit may be shown with optional features)

To specify fixture and accessories, use the Model Number and Options page.

Example: To specify a two station AquaWave® lavatory for a deck mounted faucet with standard wall mounting (34" rim height), two sets of 4" Centerset 1" faucet holes, in White Granite color

Use the following Willoughby Model Number:

WAW-2322-DMF-WALL-4CC-WG

Recommended Specifications

AquaWave® Two Station, Solid Surface Lavatory System for use with Deck Mounted Faucets shall be:
Willoughby Model No. **WAW-2322-DMF**
(select from model number and options list on next page)

AquaWave® Lavatory System shall accommodate 1 to 2 users simultaneously. The lavatory system bowl and pedestal panels are constructed of Aquasurf® molded cast polymer densified solid surface material composed of polyester/acrylic resin, UV stabilizer, aluminum trihydrate and mineral fillers. The pre-assembled low-profile pedestal base and included drain grates shall be constructed of heavy gauge, Type 304 stainless steel (the pedestal backplate is galvanized). Exposed stainless steel surfaces shall be polished to a #4 satin finish.

Vandal resistance:

Valves (by others), water supplies, and waste connections are concealed within the pedestal. Removable access panels are secured with vandal-resistant security Torx screws. The Aquasurf® solid surface material is resistant to stains, impact and burns. Surface damage can be easily repaired with everyday cleansers and/or fine grit abrasives.

ADA, TAS, and ANSI Compliant:

The lavatory is designed to comply with all applicable ADA, TAS, and ANSI Z124.3 and Z124.6 accessibility guidelines, whether mounted at standard adult rim height (34" Max AFF) or (JR) junior height (31" Max AFF).

Optional Features:

AquaWave® Lavatory Systems offer liquid soap dispensers as optional accessories. A wall mounted stainless steel kick plate (KPWF) is available for installations with floor-based plumbing rough-ins.

visit our website at www.willoughby-ind.com
5105 West 78th Street • Indianapolis, IN. 46268
(317) 875-0830 • Fax: (317) 875-0837 • (800) 428-4065



MADE IN THE U.S.A.

MODEL NUMBER AND OPTIONS:

1.) Washfountain Model:

- WAW-2322-DMF AquaWave® 2 Station Solid Surface Lavatory System for Deck Mounted Faucets

2.) Pedestal Type:

- WALL Wall Mounted, Low-profile, with Solid Surface Panels (Standard)
 WSPS Wall Mounted, Low-profile, All-Stainless Steel Shroud

3.) Junior Height Option:

- JR Junior Height (31" Rim Height, JR. ADA Compliant)

4.) Faucet Drilling:

- NV No Valve, No Faucet Holes (Standard)
 4CC Set of 4" Centerset, Ø1" Holes (Specify 2 or 3 holes: ___)
 8CC Set of 8" Centerset, Ø1" Holes (Specify 2 or 3 holes: ___)
 1CC Center Shank, (1) Ø1" Hole
 SP Special Drilling (Specify hole diameter and dimensions)
 SP: _____

5.) Solid Surface Colors:

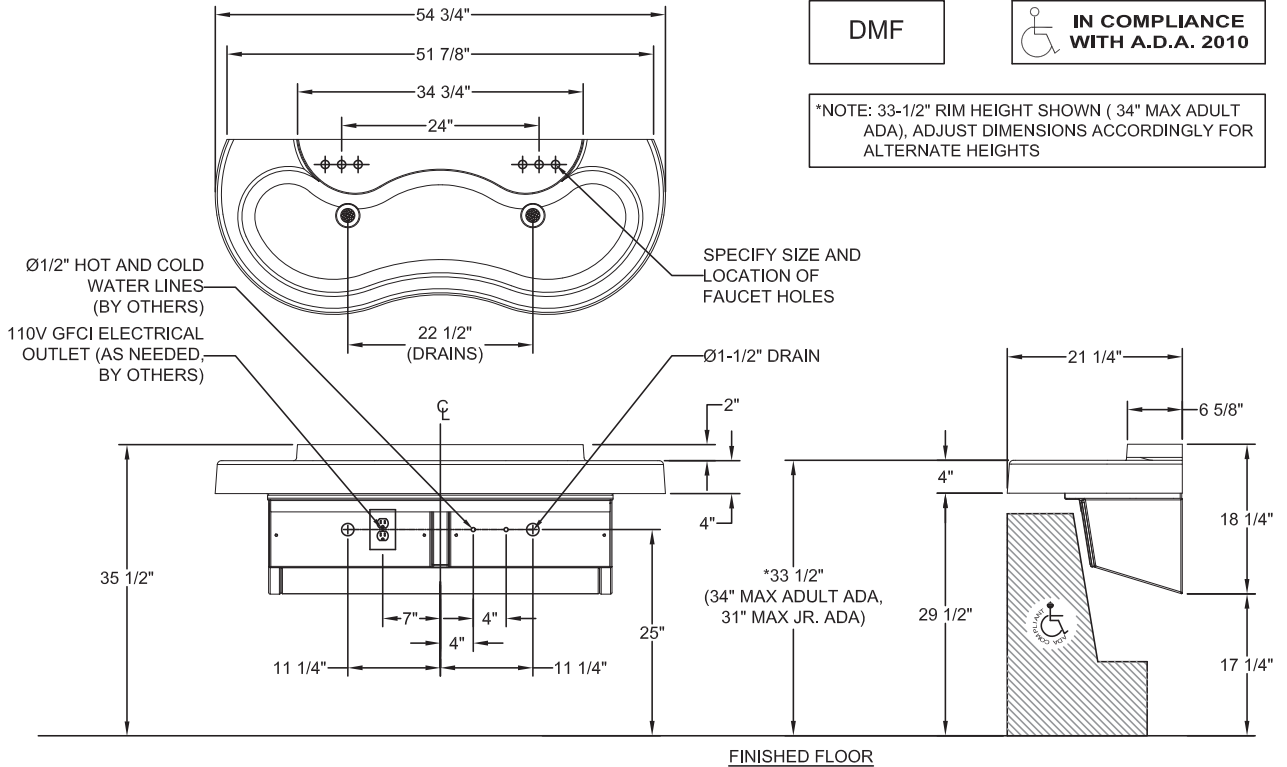
- BN Bone
 GW Glacier White
 GG Grey Granite
 SS Sandstone
 WG White Granite
 BG Black Granite
 NB Nocturnal Blue
 RC Red Coral
 SG Sea Green

6.) Other Options:

- LSDM Liquid Soap Dispensers- Deck-mounted Spout and Bottle
 KPWW Wall Mounted Stainless Steel Kick Plate
 Other _____
 Other _____

Approved For Manufacturing By: _____ Date: _____ Company: _____
 Wall Thickness: _____ Wall Type: _____

VERIFY ALL DIMENSIONS WITH FACTORY PRIOR TO ROUGH-IN
 WILLOUGHBY RESERVES THE RIGHT TO MAKE CHANGES IN DESIGN AND DIMENSIONS WITHOUT FORMAL NOTICE AND WITHOUT INCURRING OBLIGATION.

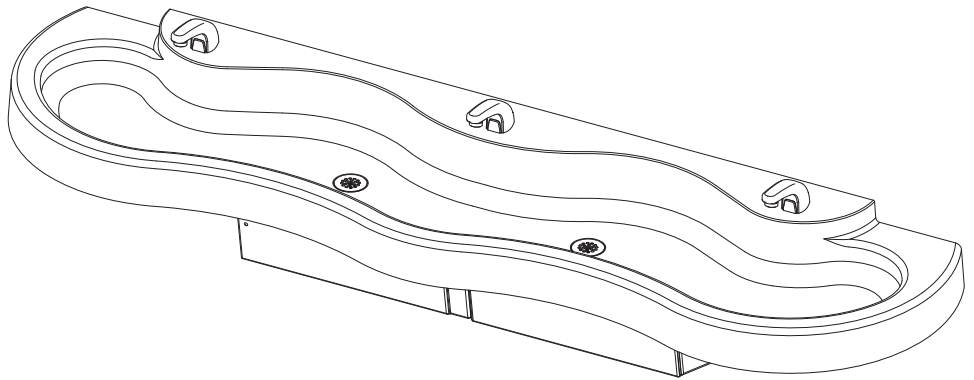


visit our website at www.willoughby-ind.com
 5105 West 78th Street • Indianapolis, IN. 46268
 (317) 875-0830 • Fax: (317) 875-0837 • (800) 428-4065



MADE IN THE U.S.A.

WAW-2333-DMF AquaWave® Three Station Solid Surface Lavatory System for (DMF) Deck Mounted Faucets



(FAUCETS SHOWN FOR ILLUSTRATIVE PURPOSES ONLY; FAUCETS SUPPLIED BY OTHERS)
(Unit may be shown with optional features)

To specify fixture and accessories, use the Model Number and Options page.

Example: To specify a three station AquaWave® lavatory for a deck mounted faucet with standard wall mounting (34" rim height), three sets of 4" Centerset 1" faucet holes, in Black Granite color

Use the following Willoughby Model Number:

WAW-2333-DMF-WALL-4CC-BG

Recommended Specifications

AquaWave® Three Station, Solid Surface Lavatory System for use with Deck Mounted Faucets shall be:
Willoughby Model No. **WAW-2333-DMF**
(select from model number and options list on next page)

AquaWave® Lavatory System shall accommodate 1 to 3 users simultaneously. The lavatory system bowl and pedestal panels are constructed of Aquasurf® molded cast polymer densified solid surface material composed of polyester/acrylic resin, UV stabilizer, aluminum trihydrate and mineral fillers. The pre-assembled low-profile pedestal base and included drain grate shall be constructed of heavy gauge, Type 304 stainless steel (the pedestal backplate is galvanized). Exposed stainless steel surfaces shall be polished to a #4 satin finish.

Vandal resistance:

Valves (by others), water supplies, and waste connections are concealed within the pedestal. Removable access panels are secured with vandal-resistant security Torx screws. The Aquasurf® solid surface material is resistant to stains, impact and burns. Surface damage can be easily repaired with everyday cleansers and/or fine grit abrasives.

ADA, TAS, and ANSI Compliant:

The lavatory is designed to comply with all applicable ADA, TAS, and ANSI Z124.3 and Z124.6 accessibility guidelines, whether mounted at standard adult rim height (34" Max AFF) or (JR) junior height (31" Max AFF).

Optional Features:

AquaWave® Lavatory Systems offer liquid soap dispensers as optional accessories. A wall mounted stainless steel kick plate (KPWF) is available for installations with floor-based plumbing rough-ins.

visit our website at www.willoughby-ind.com
5105 West 78th Street • Indianapolis, IN. 46268
(317) 875-0830 • Fax: (317) 875-0837 • (800) 428-4065



MADE IN THE U.S.A.

MODEL NUMBER AND OPTIONS:

1.) Washfountain Model:

- WAW-2333-DMF AquaWave® 3 Station Solid Surface Lavatory System for Deck Mounted Faucets

2.) Pedestal Type:

- WALL Wall Mounted, Low-profile, with Solid Surface Panels (Standard)
 WSPS Wall Mounted, Low-profile, All-Stainless Steel Shroud

3.) Junior Height Option:

- JR Junior Height (31" Rim Height, JR. ADA Compliant)

4.) Faucet Drilling:

- NV No Valve, No Faucet Holes (Standard)
 4CC Set of 4" Centerset, Ø1" Holes (Specify 2 or 3 holes: ___)
 8CC Set of 8" Centerset, Ø1" Holes (Specify 2 or 3 holes: ___)
 1CC Center Shank, (1) Ø1" Hole
 SP Special Drilling (Specify hole diameter and dimensions)
 SP: _____

5.) Solid Surface Colors:

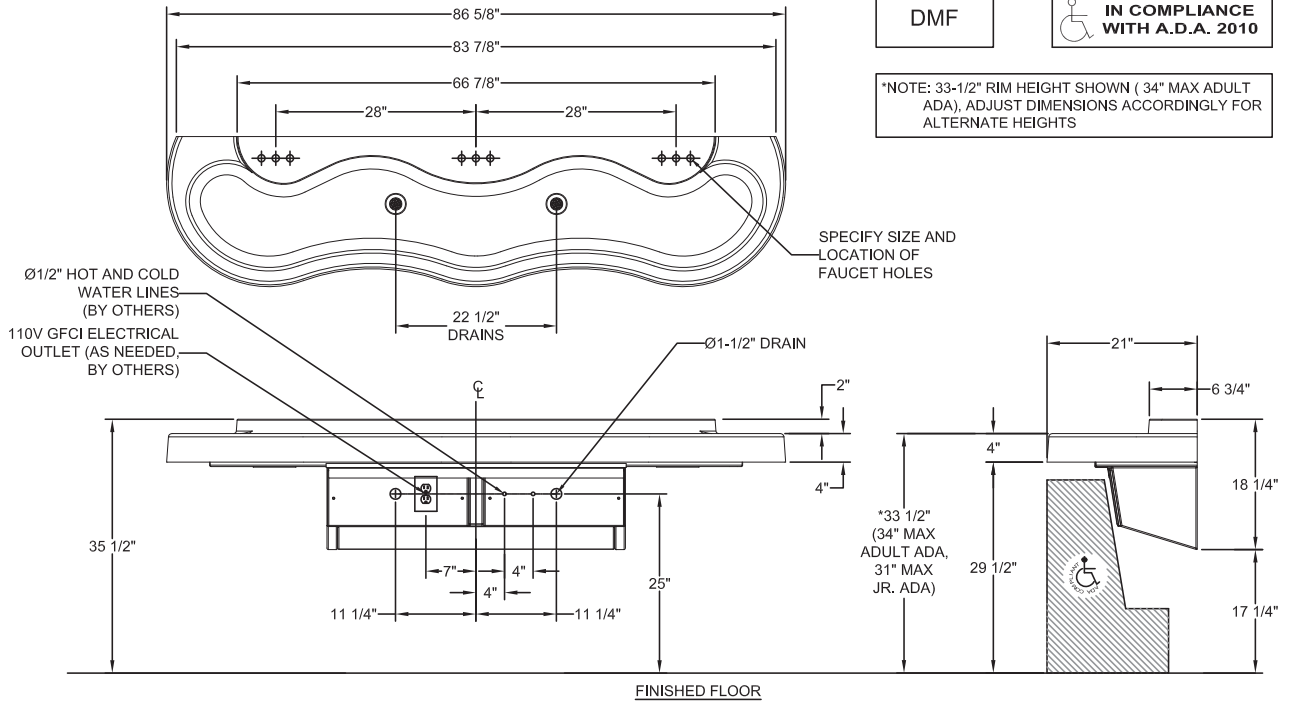
- BN Bone
 GW Glacier White
 GG Grey Granite
 SS Sandstone
 WG White Granite
 BG Black Granite
 NB Nocturnal Blue
 RC Red Coral
 SG Sea Green

6.) Other Options:

- LSDM Liquid Soap Dispensers- Deck-mounted Spout and Bottle
 KPWW Wall Mounted Stainless Steel Kick Plate
 Other _____
 Other _____

Approved For Manufacturing By: _____ Date: _____ Company: _____
 Wall Thickness: _____ Wall Type: _____

VERIFY ALL DIMENSIONS WITH FACTORY PRIOR TO ROUGH-IN
 WILLOUGHBY RESERVES THE RIGHT TO MAKE CHANGES IN DESIGN AND DIMENSIONS WITHOUT FORMAL NOTICE AND WITHOUT INCURRING OBLIGATION.

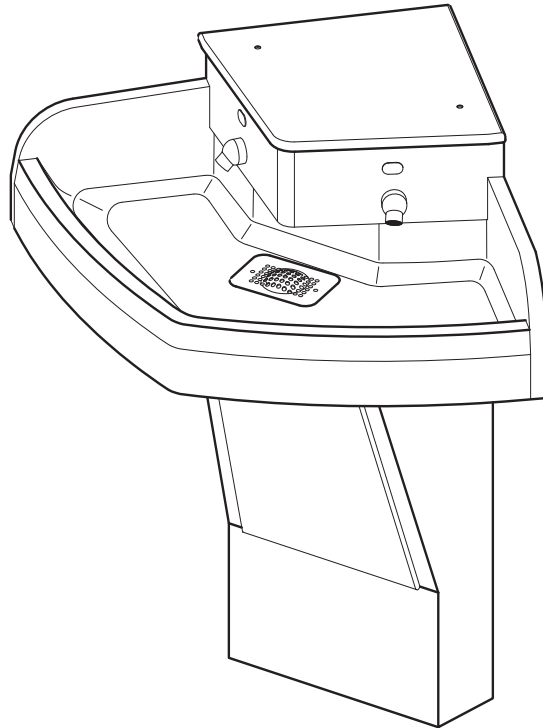


visit our website at www.willoughby-ind.com
 5105 West 78th Street • Indianapolis, IN. 46268
 (317) 875-0830 • Fax: (317) 875-0837 • (800) 428-4065



MADE IN THE U.S.A.

WAF-2200/2201 AquaFount® Corner Mounted Two Station Solid Surface Washfountain



(Unit may be shown with optional features)

To specify fixture and accessories, use the Model Number and Options page.

Example: To specify a corner mounted two station AquaFount® floor mounted (34" rim height) washfountain with hard-wired infrared sensors, in Nocturnal Blue color

Use the following Willoughby Model Number: **WAF-2200-IR-NB**

Recommended Specifications

AquaFount® Corner Mounted, Two Station, Solid Surface Washfountain shall be: Willoughby Model No. **WAF-220**____ (select from model number and options list on next page)

AquaFount® washfountain shall accommodate from 1 to 2 users simultaneously. The washfountain bowl, top, and pedestal panel are constructed of Aquasurf® molded cast polymer densified solid surface material composed of polyester/acrylic resin, UV stabilizer, aluminum trihydrate and mineral fillers. The pre-assembled water distribution heads and pedestal base shall be constructed of heavy gauge, type 304 stainless steel. Exposed stainless steel surfaces shall be polished to a #4 satin finish.

Push buttons and water spray nozzles shall be constructed of type 303 stainless steel. The drain grate shall be constructed of heavy gauge stainless steel. The pre-assembled sprayhead module shall be equipped with independent spray nozzles controlled by separate push buttons or infrared sensors. Flow restrictors shall maintain flow rates at 0.5 GPM per station.

AquaFount® washfountains shall be supplied with thermostatic mixing valves, integral checkstops, drain spuds, flexible supply hoses, control valves, color coded water lines, and Class II 120/24 VAC plug-in transformers (as needed)*. Operating supply water pressure range is 25-80 PSI.

Vandal resistance:

The spray nozzles, push buttons, infrared sensors, and escutcheons are secured to the unit from within the head kit. Valves, water supplies, and waste connections are concealed within the pedestal. Removable access panels are secured with vandal-resistant security Torx screws. The Aquasurf® solid surface material is resistant to stains, impact and burns. Surface damage can be easily repaired with everyday cleansers and/or fine grit abrasives.

Optional Features:

AquaFount® washfountains offer liquid soap dispensers as optional accessories. AquaFount® washfountains can be ordered with 28" rim heights (WAF-2200 and WAF-2201 models only) for juvenile use (JR).

Washfountain is not ADA, TAS, or ANSI Compliant.

* *Note: Plug-in transformer must be used with a ground fault interrupter (GFCI) receptacle to prevent possible electrical shock.*

visit our website at www.willoughby-ind.com
5105 West 78th Street • Indianapolis, IN. 46268
(317) 875-0830 • Fax: (317) 875-0837 • (800) 428-4065



MADE IN THE U.S.A.

MODEL NUMBER AND OPTIONS:

1.) Washfountain Type:

WAF AquaFount®

2.) Base Model Number:

2200 Corner Mounted 2 Station Floor Mounted Washfountain
 2201 Corner Mounted 2 Station Wall Mounted Washfountain

3.) Junior Height Option:

JR Junior Height (28" Rim Height)

4.) Valve Actuation:

PPB1 Standard Pneumatic Push Buttons for Single Temperature Pneumatic Metering
 PZPB1 Piezo Electronic Push Buttons for Single Temperature Electronic (w/ Pneutronic Control)*
 IR Infrared Sensors, Hard-wired*
 BO Infrared Sensors, Battery Operated

5.) Solid Surface Colors:

BN Bone
 GW Glacier White
 GG Grey Granite
 SS Sandstone
 WG White Granite
 BG Black Granite
 NB Nocturnal Blue
 RC Red Coral
 SG Sea Green

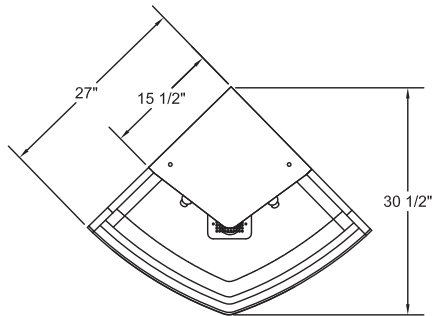
6.) Other Options:

LSD Liquid Soap Dispenser (1)
 TL Less In-line Thermostatic Mixing Valve
 LSH 1.5 gpm Laminar Flow Sprayheads
 Other _____
 Other _____

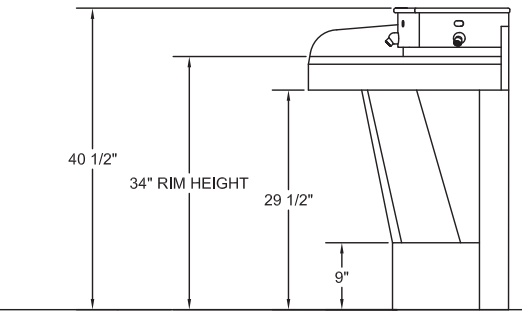
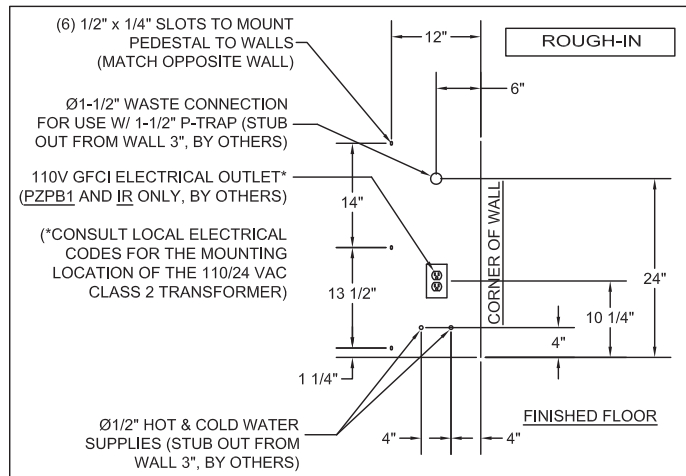
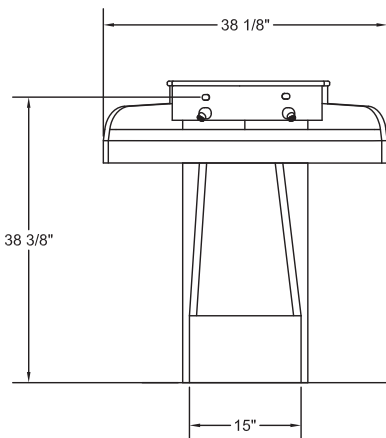
*(Req. 110V power through ground fault interrupter (GFCI) receptacle)

Approved For Manufacturing By: _____ Date: _____ Company: _____
 Wall Thickness: _____ Wall Type: _____

VERIFY ALL DIMENSIONS WITH FACTORY PRIOR TO ROUGH-IN
 WILLOUGHBY RESERVES THE RIGHT TO MAKE CHANGES IN DESIGN AND DIMENSIONS WITHOUT FORMAL NOTICE AND WITHOUT INCURRING OBLIGATION.



VIEW 'A'



FINISHED FLOOR

VIEW 'A'

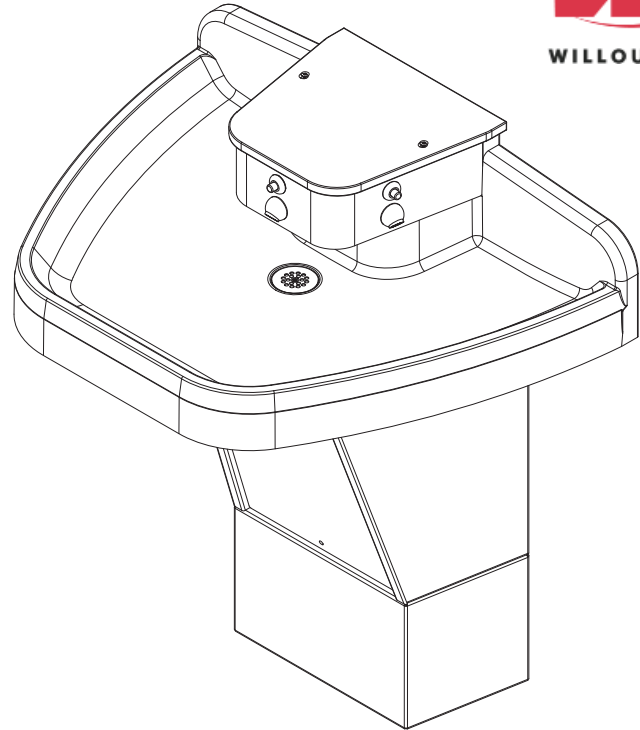
visit our website at www.willoughby-ind.com
 5105 West 78th Street • Indianapolis, IN. 46268
 (317) 875-0830 • Fax: (317) 875-0837 • (800) 428-4065



MADE IN THE U.S.A.



WAF-3300/3301 AquaFount® Three Station Solid Surface Washfountain



(Unit may be shown with optional features)



To specify fixture and accessories, use the Model Number and Options page.

Example: To specify a three station AquaFount® floor mounted (34" rim height) washfountain with pneumatic push buttons, in Red Coral color

Use the following Willoughby Model Number:

WAF-3300-PPB1-RC

Recommended Specifications

AquaFount® Three Station, Solid Surface Washfountain shall be: Willoughby Model No. **WAF-330**____ (select from model number and options list on next page)

AquaFount® washfountain shall accommodate from 1 to 3 users simultaneously. The washfountain bowl, top, and pedestal panel are constructed of Aquasurf® molded cast polymer densified solid surface material composed of polyester/acrylic resin, UV stabilizer, aluminum trihydrate and mineral fillers. The pre-assembled water distribution heads and pedestal base shall be constructed of heavy gauge, type 304 stainless steel. Exposed stainless steel surfaces shall be polished to a #4 satin finish.

Push buttons and water spray nozzles shall be constructed of type 303 stainless steel. The drain grate shall be constructed of heavy gauge stainless steel. The pre-assembled sprayhead module shall be equipped with independent spray nozzles controlled by separate push buttons or infrared sensors. Flow restrictors shall maintain flow rates at 0.5 GPM per station.

AquaFount® washfountains shall be supplied with thermostatic mixing valves, integral checkstops, drain spuds, flexible supply hoses, control valves, color coded water lines, and Class II 120/24 VAC plug-in transformers (as needed)*. Operating supply water pressure range is 25-80 PSI.

Vandal resistance:

The spray nozzles, push buttons, infrared sensors, and escutcheons are secured to the unit from within the head kit. Valves, water supplies, and waste connections are concealed within the pedestal. Removable access panels are secured with vandal-resistant security Torx screws. The Aquasurf® solid surface material is resistant to stains, impact and burns. Surface damage can be easily repaired with everyday cleansers and/or fine grit abrasives.

ADA, TAS, and ANSI Compliant:

When the washfountain is mounted at the standard 34" adult rim height, it is designed to comply with all applicable ADA, TAS, and ANSI Z124.3 and Z124.6 accessibility guidelines.

Optional Features:

AquaFount® washfountains offer liquid soap dispensers as optional accessories. AquaFount® washfountains can be ordered with 31" rim heights for juvenile use (JR).

* *Note:* Plug-in transformer must be used with a ground fault interrupter (GFCI) receptacle to prevent possible electrical shock.

visit our website at www.willoughby-ind.com
5105 West 78th Street • Indianapolis, IN. 46268
(317) 875-0830 • Fax: (317) 875-0837 • (800) 428-4065



MADE IN THE U.S.A.

MODEL NUMBER AND OPTIONS:

1.) Washfountain Type:

WAF AquaFount®

2.) Base Model Number:

3300 3 Station Floor Mounted Washfountain
 3301 3 Station Wall Mounted Washfountain

3.) Junior Height Option:

JR Junior Height (31" Rim Height, JR. ADA Compliant)

4.) Valve Actuation:

PPB1 Standard Pneumatic Push Buttons for Single Temperature Pneumatic Metering
 PZPB1 Piezo Electronic Push Buttons for Single Temperature Electronic (w/ Pneutronic Control)*
 IR Infrared Sensors, Hard-wired*
 BO Infrared Sensors, Battery Operated

5.) Solid Surface Colors:

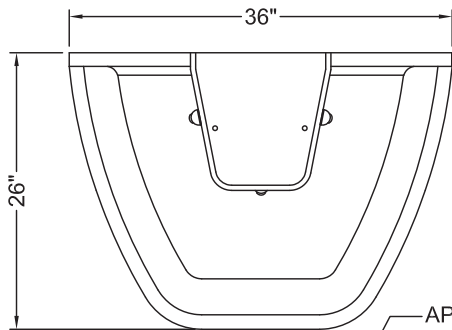
BN Bone
 GW Glacier White
 GG Grey Granite
 SS Sandstone
 WG White Granite
 BG Black Granite
 NB Nocturnal Blue
 RC Red Coral
 SG Sea Green

6.) Other Options:

LSD Liquid Soap Dispensers (2)
 TL Less In-line Thermostatic Mixing Valve
 LSH 1.5 gpm Laminar Flow Sprayheads
 Other _____
 Other _____

*(Req. 110V power through ground fault interrupter (GFCI) receptacle)

Approved For Manufacturing By: _____ Date: _____ Company: _____
 Wall Thickness: _____ Wall Type: _____

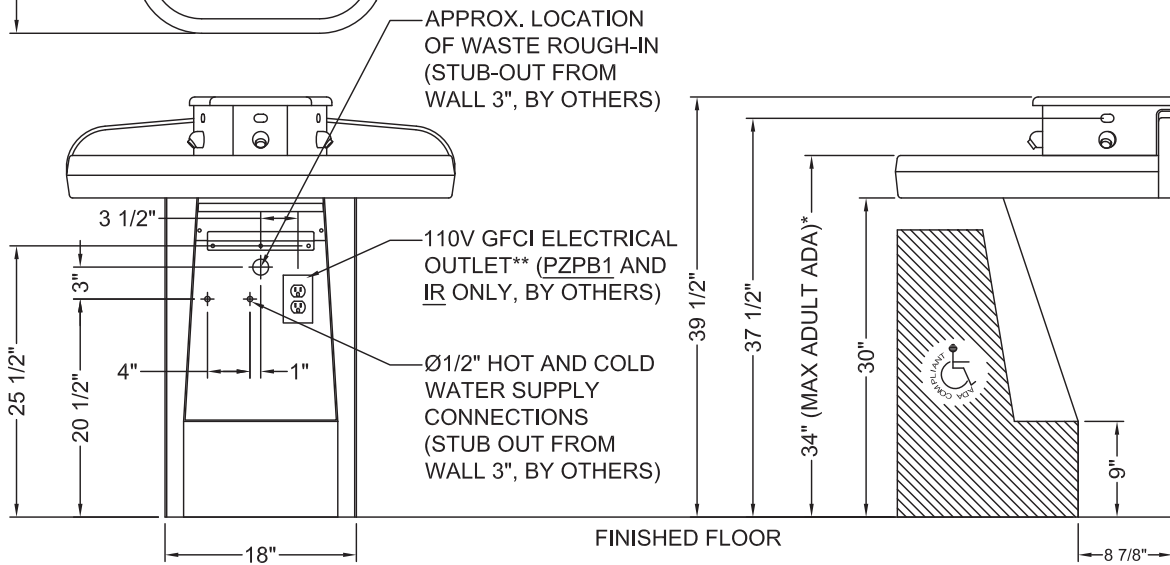


IN COMPLIANCE WITH A.D.A. 2010

* 34" RIM HEIGHT SHOWN (MAX ADULT ADA). SPECIFY IF 31" JUNIOR HEIGHT IS NEEDED

 **CONSULT LOCAL ELECTRICAL CODES FOR THE MOUNTING LOCATION OF THE 110/24 VAC CLASS 2 TRANSFORMER

VERIFY ALL DIMENSIONS WITH FACTORY PRIOR TO ROUGH-IN
 WILLOUGHBY RESERVES THE RIGHT TO MAKE CHANGES IN DESIGN AND DIMENSIONS WITHOUT FORMAL NOTICE AND WITHOUT INCURRING OBLIGATION.



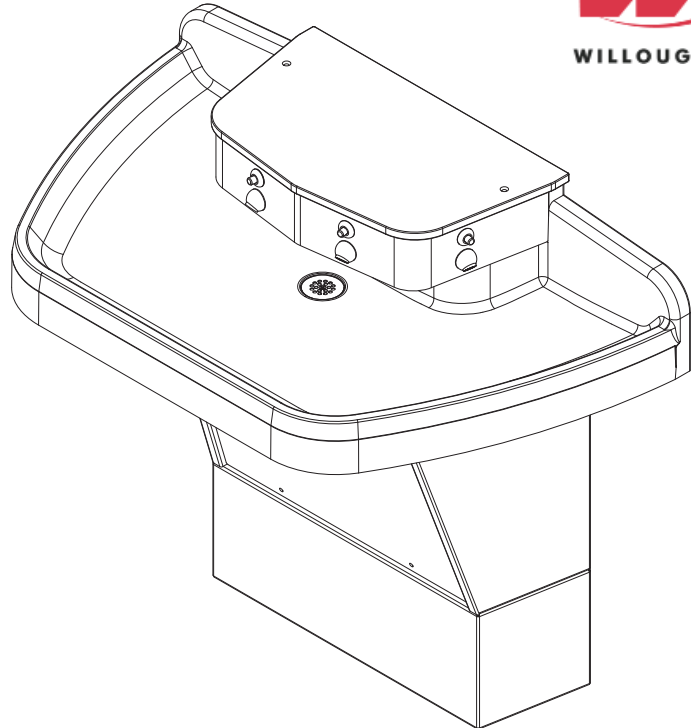
visit our website at www.willoughby-ind.com
 5105 West 78th Street • Indianapolis, IN. 46268
 (317) 875-0830 • Fax: (317) 875-0837 • (800) 428-4065



MADE IN THE U.S.A.



WAF-4400/4401 AquaFount® Four Station Solid Surface Washfountain



(Unit may be shown with optional features)

To specify fixture and accessories, use the Model Number and Options page.

Example: To specify a four station AquaFount® floor mounted (34" rim height) washfountain with pneumatic push buttons, in Sea Green color

Use the following Willoughby Model Number:
WAF-4400-PPB1-SG

Recommended Specifications

AquaFount® Four Station, Solid Surface Washfountain shall be: Willoughby Model No. **WAF-440**____ (select from model number and options list on next page)

AquaFount® washfountain shall accommodate from 1 to 4 users simultaneously. The washfountain bowl, top, and pedestal panel are constructed of Aquasurf® molded cast polymer densified solid surface material composed of polyester/acrylic resin, UV stabilizer, aluminum trihydrate and mineral fillers. The pre-assembled water distribution heads and pedestal base shall be constructed of heavy gauge, type 304 stainless steel. Exposed stainless steel surfaces shall be polished to a #4 satin finish.

Push buttons and water spray nozzles shall be constructed of type 303 stainless steel. The drain grate shall be constructed of heavy gauge stainless steel. The pre-assembled sprayhead module shall be equipped with independent spray nozzles controlled by separate push buttons or infrared sensors. Flow restrictors shall maintain flow rates at 0.5 GPM per station.

AquaFount® washfountains shall be supplied with thermostatic mixing valves, integral checkstops, drain spuds, flexible supply hoses, control valves, color coded water lines, and Class II 120/24 VAC plug-in transformers (as needed)*. Operating supply water pressure range is 25-80 PSI.

Vandal resistance:

The spray nozzles, push buttons, infrared sensors, and escutcheons are secured to the unit from within the head kit. Valves, water supplies, and waste connections are concealed within the pedestal. Removable access panels are secured with vandal-resistant security Torx screws. The Aquasurf® solid surface material is resistant to stains, impact and burns. Surface damage can be easily repaired with everyday cleansers and/or fine grit abrasives.

ADA, TAS, and ANSI Compliant:

When the washfountain is mounted at the standard 34" adult rim height, it is designed to comply with all applicable ADA, TAS, and ANSI Z124.3 and Z124.6 accessibility guidelines.

Optional Features:

AquaFount® washfountains offer liquid soap dispensers as optional accessories. AquaFount® washfountains can be ordered with 31" rim heights for juvenile use (JR).

* *Note:* Plug-in transformer must be used with a ground fault interrupter (GFCI) receptacle to prevent possible electrical shock.

visit our website at www.willoughby-ind.com
5105 West 78th Street • Indianapolis, IN. 46268
(317) 875-0830 • Fax: (317) 875-0837 • (800) 428-4065



MADE IN THE U.S.A.

MODEL NUMBER AND OPTIONS:

1.) Washfountain Type:

WAF AquaFount®

2.) Base Model Number:

4400 4 Station Floor Mounted Washfountain
 4401 4 Station Wall Mounted Washfountain

3.) Junior Height Option:

JR Junior Height (31" Rim Height, JR. ADA Compliant)

4.) Valve Actuation:

PPB1 Standard Pneumatic Push Buttons for Single Temperature Pneumatic Metering
 PZPB1 Piezo Electronic Push Buttons for Single Temperature Electronic (w/ Pneutronic Control)*
 IR Infrared Sensors, Hard-wired*
 BO Infrared Sensors, Battery Operated

5.) Solid Surface Colors:

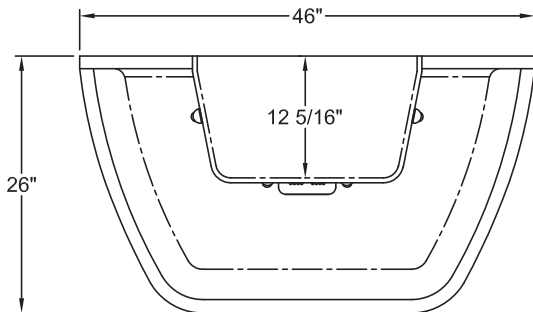
BN Bone
 GW Glacier White
 GG Grey Granite
 SS Sandstone
 WG White Granite
 BG Black Granite
 NB Nocturnal Blue
 RC Red Coral
 SG Sea Green

6.) Other Options:

LSD Liquid Soap Dispensers (2)
 TL Less In-line Thermostatic Mixing Valve
 LSH 1.5 gpm Laminar Flow Sprayheads
 Other _____
 Other _____

*(Req. 110V power through ground fault interrupter (GFCI) receptacle)

Approved For Manufacturing By: _____ Date: _____ Company: _____
 Wall Thickness: _____ Wall Type: _____

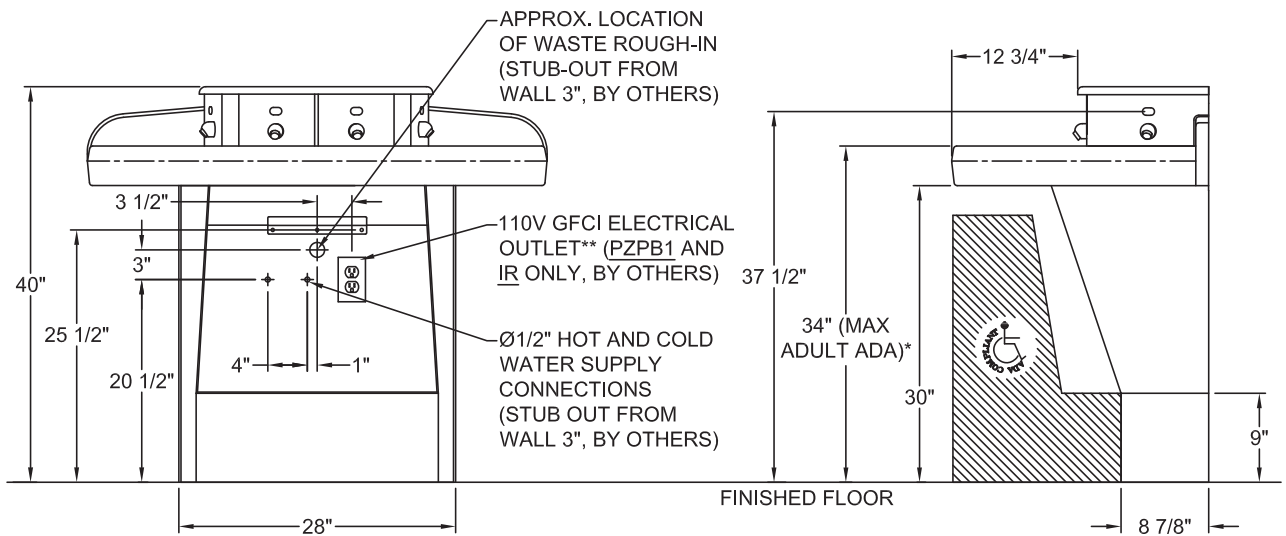


 IN COMPLIANCE WITH A.D.A. 2010

* 34" RIM HEIGHT SHOWN (MAX ADULT ADA). SPECIFY IF 31" JUNIOR HEIGHT IS NEEDED

 **CONSULT LOCAL ELECTRICAL CODES FOR THE MOUNTING LOCATION OF THE 110/24 VAC CLASS 2 TRANSFORMER

VERIFY ALL DIMENSIONS WITH FACTORY PRIOR TO ROUGH-IN
 WILLOUGHBY RESERVES THE RIGHT TO MAKE CHANGES IN DESIGN AND DIMENSIONS WITHOUT FORMAL NOTICE AND WITHOUT INCURRING OBLIGATION.



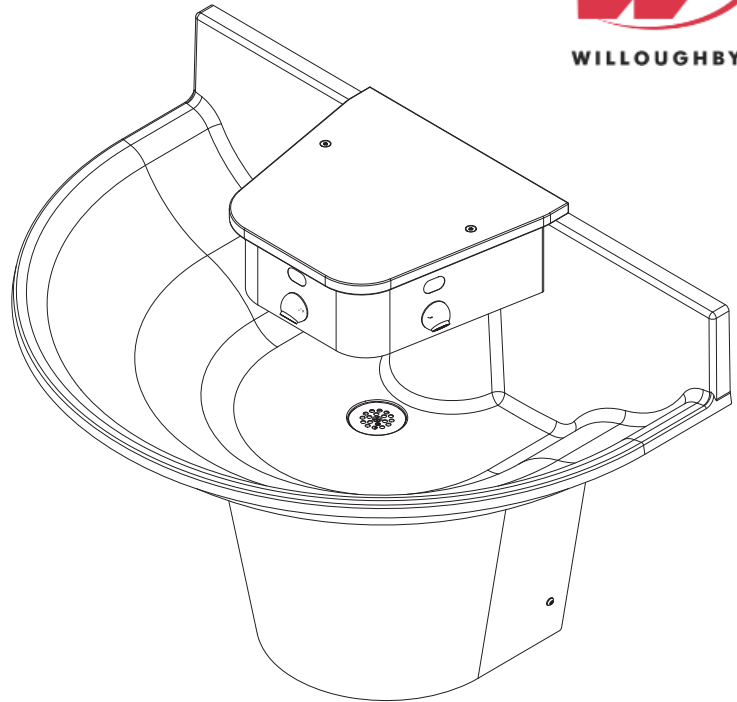
visit our website at www.willoughby-ind.com
 5105 West 78th Street • Indianapolis, IN. 46268
 (317) 875-0830 • Fax: (317) 875-0837 • (800) 428-4065



MADE IN THE U.S.A.



WAF-3603 AquaFount® Three Station Half Round 36" Solid Surface Deep Bowl Washfountain



(Unit may be shown with optional features)

To specify fixture and accessories, use the Model Number and Options page.

Example: To specify a three station half round 36" AquaFount® washfountain with standard wall mounting (34" rim height), hard-wired infrared sensors, in Bone color

Use the following Willoughby Model Number:
WAF-3603-WALL-IR-BN

Recommended Specifications

AquaFount® Half Round, 36" Solid Surface Washfountain shall be: Willoughby Model No. **WAF-3603** (select from model number and options list on next page)

AquaFount® washfountain shall accommodate from 1 to 3 users simultaneously. The washfountain bowl and cover are constructed of Aquasurf® molded cast polymer densified solid surface material composed of polyester/acrylic resin, UV stabilizer, aluminum trihydrate and mineral fillers. The pre-assembled water distribution heads and pedestal base shall be constructed of heavy gauge, type 304 stainless steel. Exposed stainless steel surfaces shall be polished to a #4 satin finish.

Push buttons and water spray nozzles shall be constructed of type 303 stainless steel. The drain grate shall be constructed of heavy gauge stainless steel. The pre-assembled sprayhead module shall be equipped with independent spray nozzles controlled by separate push buttons or infrared sensors. Flow restrictors shall maintain flow rates at 0.5 GPM per station.

AquaFount® washfountains shall be supplied with thermostatic mixing valves, integral checkstops, drain spuds, flexible supply hoses, control valves, color coded water lines, and Class II 120/24 VAC plug-in transformers (as needed)*. Operating supply water pressure range is 25-80 PSI.

Vandal resistance:

The spray nozzles, push buttons, infrared sensors, and escutcheons are secured to the unit from within the head kit. Valves, water supplies, and waste connections are concealed within the pedestal. Removable access panels are secured with vandal-resistant security Torx screws. The Aquasurf® solid surface material is resistant to stains, impact and burns. Surface damage can be easily repaired with everyday cleansers and/or fine grit abrasives.

ADA, TAS, and ANSI Compliant:

When the washfountain is mounted at the standard 34" adult rim height, it is designed to comply with all applicable ADA, TAS, and ANSI Z124.3 and Z124.6 accessibility guidelines.

Optional Features:

AquaFount® washfountains offer liquid soap dispensers as optional accessories. AquaFount® washfountains can be ordered with 31" rim heights for juvenile use (JR). A wall mounted stainless steel kick plate (KPWF) is available for wall-mounted pedestals with floor-based plumbing rough-ins.

* *Note:* Plug-in transformer must be used with a ground fault interrupter (GFCI) receptacle to prevent possible electrical shock.

visit our website at www.willoughby-ind.com
5105 West 78th Street • Indianapolis, IN. 46268
(317) 875-0830 • Fax: (317) 875-0837 • (800) 428-4065



MADE IN THE U.S.A.

MODEL NUMBER AND OPTIONS:

1.) Washfountain Model:

- WAF-3603 AquaFount® 3 Station 36" Half Round Deep Bowl
Solid Surface Washfountain

2.) Pedestal Type:

- WALL Wall Mounted (Standard)

3.) Junior Height Option:

- JR Junior Height (31" Rim Height, JR. ADA Compliant)

4.) Valve Actuation:

- PPB1 Standard Pneumatic Push Buttons for Single Temperature Pneumatic Metering
 PZPB1 Piezo Electronic Push Buttons for Single Temperature Electronic (w/ Pneumatic Control)*
 IR Infrared Sensors, Hard-wired*
 BO Infrared Sensors, Battery Operated

5.) Solid Surface Colors:

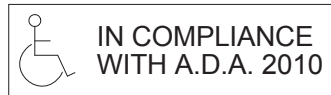
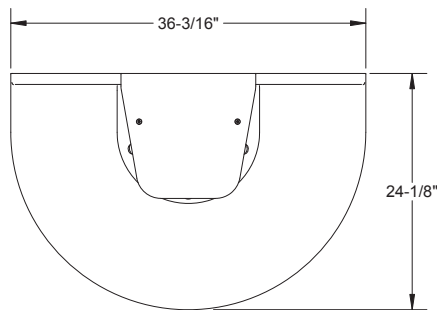
- BN Bone
 GW Glacier White
 GG Grey Granite
 SS Sandstone
 WG White Granite
 BG Black Granite
 NB Nocturnal Blue
 RC Red Coral
 SG Sea Green

6.) Other Options:

- LSD Liquid Soap Dispensers (2)
 TL Less In-line Thermostatic Mixing Valve
 KPWF Wall Mounted Stainless Steel Kick Plate
 LSH 1.5 gpm Laminar Flow Sprayheads
 Other _____
 Other _____

*(Req. 110V power through ground fault interrupter (GFCI) receptacle)

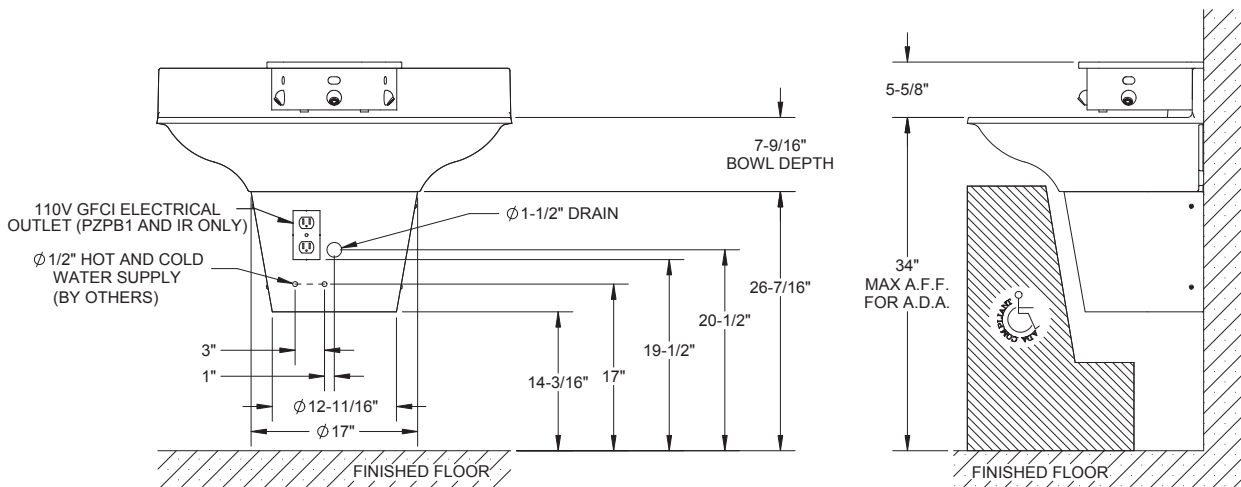
Approved For Manufacturing By: _____ Date: _____ Company: _____
Wall Thickness: _____ Wall Type: _____



WALL MOUNTED ROUGH-IN SHOWN.
FOR FLOOR MOUNTED ROUGH-IN,
CONTACT FACTORY.

NOTE:
ROUGH-IN DIMENSIONS ARE FOR A RIM
HEIGHT OF 34" AFF.
ADJUST DIMENSIONS ACCORDINGLY
FOR ALTERNATE RIM HEIGHT.

VERIFY ALL DIMENSIONS WITH FACTORY PRIOR TO ROUGH-IN
WILLOUGHBY RESERVES THE RIGHT TO MAKE CHANGES IN DESIGN AND
DIMENSIONS WITHOUT FORMAL NOTICE AND WITHOUT INCURRING OBLIGATION.

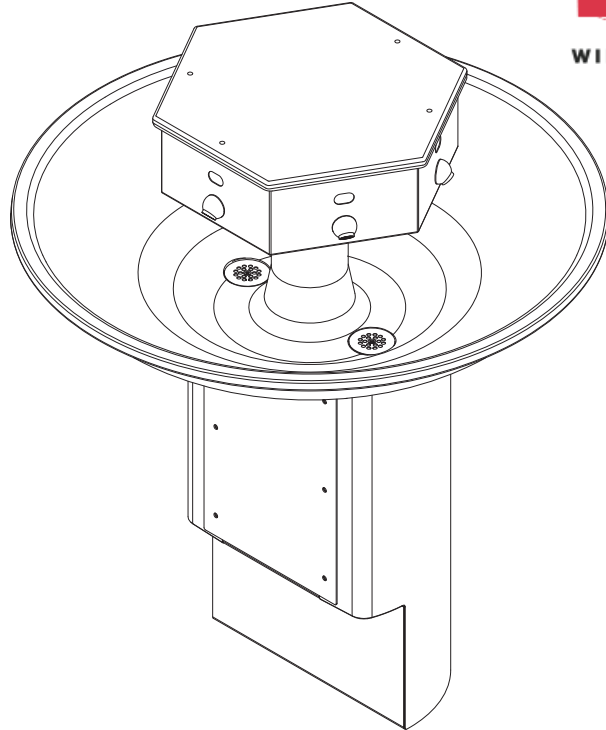


visit our website at www.willoughby-ind.com
5105 West 78th Street • Indianapolis, IN. 46268
(317) 875-0830 • Fax: (317) 875-0837 • (800) 428-4065



MADE IN THE U.S.A.

WAF-3606 AquaFount® Six Station Full Round 36" Solid Surface Deep Bowl Washfountain



(Unit may be shown with optional features)

To specify fixture and accessories, use the Model Number and Options page.

Example: To specify a six station full round 36" AquaFount® washfountain with standard floor mounting (34" rim height), hard-wired infrared sensors, standard water supply from below, in Glacier White color

Use the following Willoughby Model Number:
WAF-3606-FLR-IR-SB-GW

Recommended Specifications

AquaFount® Full Round, 36" Solid Surface Washfountain shall be: Willoughby Model No. **WAF-3606** (select from model number and options list on next page)

AquaFount® washfountain shall accommodate from 1 to 6 users simultaneously. The washfountain bowl and cover are constructed of Aquasurf® molded cast polymer densified solid surface material composed of polyester/acrylic resin, UV stabilizer, aluminum trihydrate and mineral fillers. The pre-assembled water distribution heads and pedestal base shall be constructed of heavy gauge, type 304 stainless steel. Exposed stainless steel surfaces shall be polished to a #4 satin finish.

Push buttons and water spray nozzles shall be constructed of type 303 stainless steel. The drain grate shall be constructed of heavy gauge stainless steel. The pre-assembled sprayhead module shall be equipped with independent spray nozzles controlled by separate push buttons or infrared sensors. Flow restrictors shall maintain flow rates at 0.5 GPM per station.

AquaFount® washfountains shall be supplied with thermostatic mixing valves, integral checkstops, drain spuds, flexible supply hoses, control valves, color coded water lines, and Class II 120/24 VAC plug-in transformers (as needed)*. Operating supply water pressure range is 25-80 PSI.

Vandal resistance:

The spray nozzles, push buttons, infrared sensors, and escutcheons are secured to the unit from within the head kit. Valves, water supplies, and waste connections are concealed within the pedestal. Removable access panels are secured with vandal-resistant security Torx screws. The Aquasurf® solid surface material is resistant to stains, impact and burns. Surface damage can be easily repaired with everyday cleansers and/or fine grit abrasives.

ADA, TAS, and ANSI Compliant:

At the standard 34" adult rim height, one (1) station is designed to comply with all applicable ADA, TAS, and ANSI Z124.3 and Z124.6 accessibility guidelines. The other stations will comply with most but not all accessibility guidelines. This excludes Floor Mounted Foot Operated (FO) models.

Optional Features:

AquaFount® washfountains offer liquid soap dispensers as optional accessories. AquaFount® washfountains can be ordered with 31" rim heights for juvenile use (JR).

* *Note:* Plug-in transformer must be used with a ground fault interrupter (GFCI) receptacle to prevent possible electrical shock.

visit our website at www.willoughby-ind.com
5105 West 78th Street • Indianapolis, IN. 46268
(317) 875-0830 • Fax: (317) 875-0837 • (800) 428-4065



MADE IN THE U.S.A.

MODEL NUMBER AND OPTIONS:

1.) Washfountain Model:

- WAF-3606 AquaFount® 6 Station 36" Full Round Deep Bowl
Solid Surface Washfountain

2.) Pedestal Type:

- FLR Floor Mounted (Standard)

3.) Junior Height Option:

- JR Junior Height (31" Rim Height, JR. ADA Compliant)

4.) Valve Actuation:

- PPB1 Standard Pneumatic Push Buttons for Single Temperature Pneumatic Metering
- PZPB1 Piezo Electronic Push Buttons for Single Temperature Electronic (w/ Pneutronic Control)*
- IR Infrared Sensors, Hard-wired*
- BO Infrared Sensors, Battery Operated
- FO Foot Operated Pneumatic Push Buttons (Not ADA Compliant)

*(Req. 110V power through ground fault interrupter (GFCI) receptacle)

5.) Water Supply:

- SB Supply From Below (Standard)
- SA Supply From Above (**Option** (TSHWF) recommended)

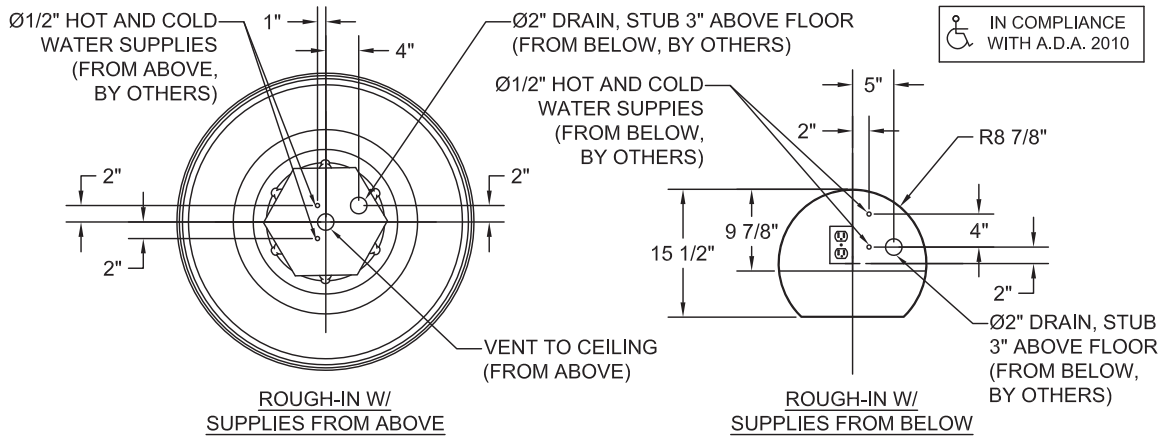
6.) Solid Surface Colors:

- BN Bone
- GW Glacier White
- GG Grey Granite
- SS Sandstone
- WG White Granite
- BG Black Granite
- NB Nocturnal Blue
- RC Red Coral
- SG Sea Green

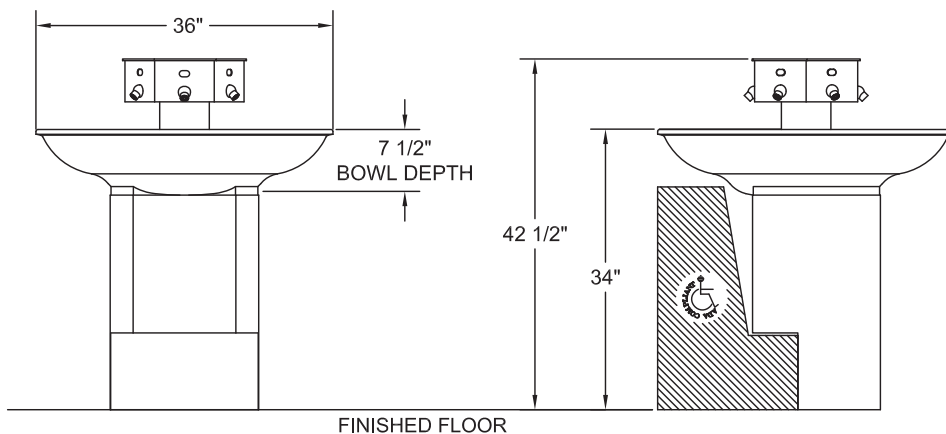
7.) Other Options:

- LSD Liquid Soap Dispensers (2)
- TL Less In-line Thermostatic Mixing Valve
- SSC Stainless Steel Head Cover (Top Cap)
- TSHWF Telescoping Washfountain Shroud (For use on (SA) models only)
- LSH 1.5 gpm Laminar Flow Sprayheads
- Other _____
- Other _____

Approved For Manufacturing By: _____ Date: _____ Company: _____
Wall Thickness: _____ Wall Type: _____



VERIFY ALL DIMENSIONS WITH FACTORY PRIOR TO ROUGH-IN
WILLOUGHBY RESERVES THE RIGHT TO MAKE CHANGES IN DESIGN AND DIMENSIONS WITHOUT FORMAL NOTICE AND WITHOUT INCURRING OBLIGATION.

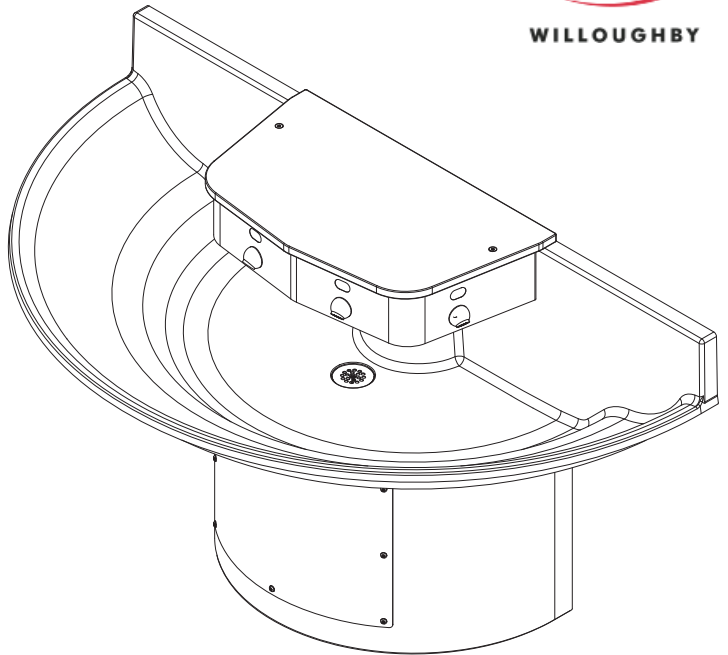


visit our website at www.willoughby-ind.com
5105 West 78th Street • Indianapolis, IN. 46268
(317) 875-0830 • Fax: (317) 875-0837 • (800) 428-4065



MADE IN THE U.S.A.

WAF-5403/5404 AquaFount® Three / Four Station Half Round 54" Solid Surface Deep Bowl Washfountain



(Unit may be shown with optional features)

To specify fixture and accessories, use the Model Number and Options page.
Example: To specify a four station half round 54" AquaFount® washfountain with standard wall mounting, 31" junior ADA rim height, battery operated infrared sensors, in Grey Granite color
Use the following Willoughby Model Number:
WAF-5404-WALL-JR-BO-GG

Recommended Specifications

AquaFount® Half Round, 54" Solid Surface Washfountain shall be: Willoughby Model No. **WAF-540**____ (select from model number and options list on next page)

AquaFount® washfountain shall accommodate from 1 to 3 users simultaneously for the 3 station and 1 to 4 users simultaneously for the 4 station. The washfountain bowl and cover are constructed of Aquasurf® molded cast polymer densified solid surface material composed of polyester/acrylic resin, UV stabilizer, aluminum trihydrate and mineral fillers. The pre-assembled water distribution heads and pedestal base shall be constructed of heavy gauge, type 304 stainless steel. Exposed stainless steel surfaces shall be polished to a #4 satin finish.

Push buttons and water spray nozzles shall be constructed of type 303 stainless steel. The drain grate shall be constructed of heavy gauge stainless steel. The pre-assembled sprayhead module shall be equipped with independent spray nozzles controlled by separate push buttons or infrared sensors. Flow restrictors shall maintain flow rates at 0.5 GPM per station.

AquaFount® washfountains shall be supplied with thermostatic mixing valves, integral checkstops, drain spuds, flexible supply hoses, control valves, color coded water lines, and Class II 120/24 VAC plug-in transformers (as needed)*. Operating supply water pressure range is 25-80 PSI.

Vandal resistance:

The spray nozzles, push buttons, infrared sensors, and escutcheons are secured to the unit from within the head kit. Valves, water supplies, and waste connections are concealed within the pedestal. Removable access panels are secured with vandal-resistant security Torx screws. The Aquasurf® solid surface material is resistant to stains, impact and burns. Surface damage can be easily repaired with everyday cleansers and/or fine grit abrasives.

ADA, TAS, and ANSI Compliant:

When the washfountain is mounted at the standard 34" adult rim height, it is designed to comply with all applicable ADA, TAS, and ANSI Z124.3 and Z124.6 accessibility guidelines. This excludes Floor Mounted Foot Operated (FO) models.

Optional Features:

AquaFount® washfountains offer liquid soap dispensers as optional accessories. AquaFount® washfountains can be ordered with 31" rim heights for juvenile use (JR). A wall mounted stainless steel kick plate (KPWF) is available for wall-mounted pedestals with floor-based plumbing rough-ins.

* *Note:* Plug-in transformer must be used with a ground fault interrupter (GFCI) receptacle to prevent possible electrical shock.

visit our website at www.willoughby-ind.com
5105 West 78th Street • Indianapolis, IN. 46268
(317) 875-0830 • Fax: (317) 875-0837 • (800) 428-4065



MADE IN THE U.S.A.

MODEL NUMBER AND OPTIONS:

1.) Washfountain Type:

- WAF-5403 AquaFount® 3 Station 54" Half Round Deep Bowl
Solid Surface Washfountain
- WAF-5404 AquaFount® 4 Station 54" Half Round Deep Bowl
Solid Surface Washfountain

2.) Pedestal Type:

- WALL Wall Mounted (Standard)
- FLR Floor Mounted (Not ADA Compliant)

3.) Junior Height Option:

- JR Junior Height (31" Rim Height, Not JR. ADA Compliant)

4.) Valve Actuation:

- PPB1 Standard Pneumatic Push Buttons for Single
Temperature Pneumatic Metering
- PZPB1 Piezo Electronic Push Buttons for Single
Temperature Electronic (w/ Pneutronic Control)*
- IR Infrared Sensors, Hard-wired*
- BO Infrared Sensors, Battery Operated
- FO Foot Operated Pneumatic Push Buttons (Not ADA Compliant)

5.) Solid Surface Colors:

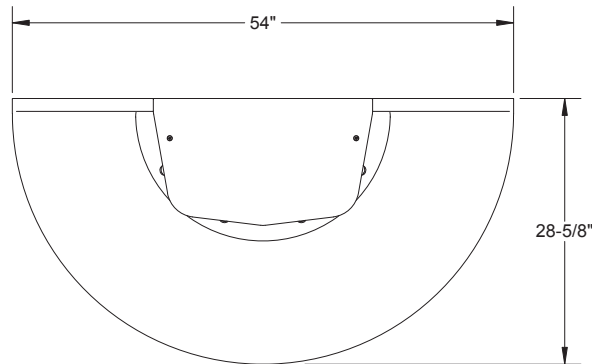
- BN Bone
- GW Glacier White
- GG Grey Granite
- SS Sandstone
- WG White Granite
- BG Black Granite
- NB Nocturnal Blue
- RC Red Coral
- SG Sea Green

6.) Other Options:

- LSD Liquid Soap Dispensers (2)
- TL Less In-line Thermostatic Mixing Valve
- KPWF Wall Mounted Stainless Steel Kick Plate
(For wall-mounted pedestal only)
- LSH 1.5 gpm Laminar Flow Sprayheads
- Other _____
- Other _____

*(Req. 110V power through ground fault interrupter (GFCI) receptacle)

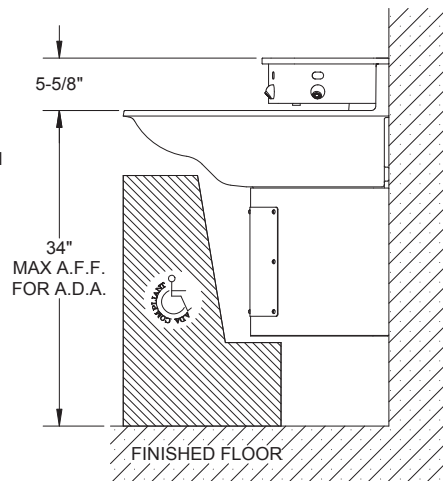
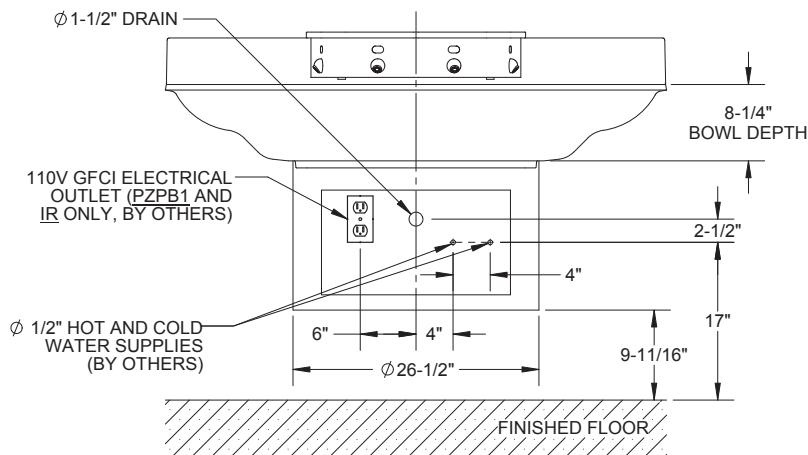
Approved For Manufacturing By: _____ Date: _____ Company: _____
Wall Thickness: _____ Wall Type: _____



WALL MOUNTED ROUGH-IN SHOWN.
FOR FLOOR MOUNTED ROUGH-IN,
CONTACT FACTORY.

NOTE:
ROUGH-IN DIMENSIONS ARE FOR A RIM
HEIGHT OF 34" AFF.
ADJUST DIMENSIONS ACCORDINGLY
FOR ALTERNATE RIM HEIGHT.

VERIFY ALL DIMENSIONS WITH FACTORY PRIOR TO ROUGH-IN
WILLOUGHBY RESERVES THE RIGHT TO MAKE CHANGES IN DESIGN AND
DIMENSIONS WITHOUT FORMAL NOTICE AND WITHOUT INCURRING OBLIGATION.

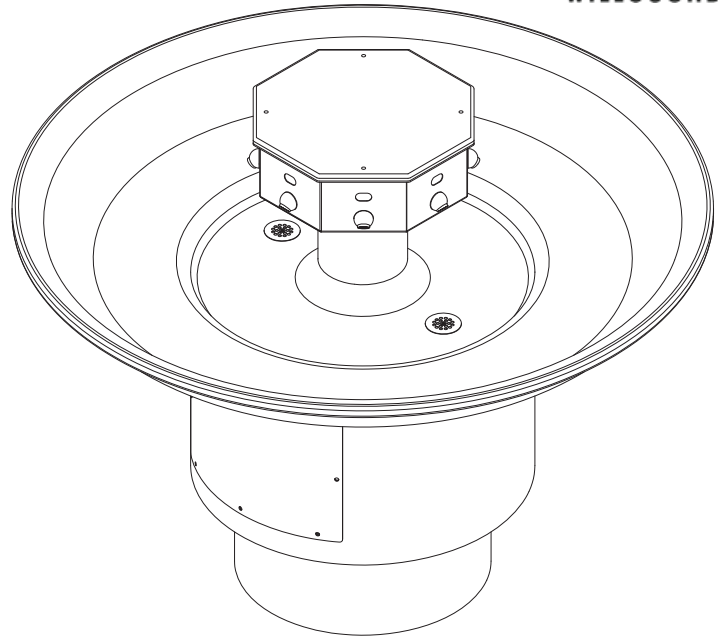


visit our website at www.willoughby-ind.com
5105 West 78th Street • Indianapolis, IN. 46268
(317) 875-0830 • Fax: (317) 875-0837 • (800) 428-4065



MADE IN THE U.S.A.

WAF-5406/5408 AquaFount® Six / Eight Station Full Round 54" Solid Surface Deep Bowl Washfountain



(Unit may be shown with optional features)

To specify fixture and accessories, use the Model Number and Options page.

Example: To specify an eight station full round 36" AquaFount® washfountain with standard floor mounting (34" rim height), hard-wired infrared sensors, standard water supply from below, in Sandstone color

Use the following Willoughby Model Number:
WAF-5408-FLR-IR-SB-SS

Recommended Specifications

AquaFount® Full Round, 54" Solid Surface Washfountain shall be: Willoughby Model No. **WAF-540**____ (select from model number and options list on next page)

AquaFount® washfountain shall accommodate from 1 to 6 users simultaneously for the 6 station and 1 to 8 users simultaneously for the 8 station. The washfountain bowl and cover are constructed of Aquasurf® molded cast polymer densified solid surface material composed of polyester/acrylic resin, UV stabilizer, aluminum trihydrate and mineral fillers. The pre-assembled water distribution heads and pedestal base shall be constructed of heavy gauge, type 304 stainless steel. Exposed stainless steel surfaces shall be polished to a #4 satin finish.

Push buttons and water spray nozzles shall be constructed of type 303 stainless steel. The drain grate shall be constructed of heavy gauge stainless steel. The pre-assembled sprayhead module shall be equipped with independent spray nozzles controlled by separate push buttons or infrared sensors. Flow restrictors shall maintain flow rates at 0.5 GPM per station.

AquaFount® washfountains shall be supplied with thermostatic mixing valves, integral checkstops, drain spuds, flexible supply hoses, control valves, color coded water lines, and Class II 120/24 VAC plug-in transformers (as needed)*. Operating supply water pressure range is 25-80 PSI.

Vandal resistance:

The spray nozzles, push buttons, infrared sensors, and escutcheons are secured to the unit from within the head kit. Valves, water supplies, and waste connections are concealed within the pedestal. Removable access panels are secured with vandal-resistant security Torx screws. The Aquasurf® solid surface material is resistant to stains, impact and burns. Surface damage can be easily repaired with everyday cleansers and/or fine grit abrasives.

ADA, TAS, and ANSI Compliant:

At the standard 34" adult rim height, all stations are designed to comply with all applicable ADA, TAS, and ANSI Z124.3 and Z124.6 accessibility guidelines. This excludes Floor Mounted Foot Operated (FO) models.

Optional Features:

AquaFount® washfountains offer liquid soap dispensers as optional accessories. AquaFount® washfountains can be ordered with 31" rim heights for juvenile use (JR).

* *Note:* Plug-in transformer must be used with a ground fault interrupter (GFCI) receptacle to prevent possible electrical shock.

visit our website at www.willoughby-ind.com
5105 West 78th Street • Indianapolis, IN. 46268
(317) 875-0830 • Fax: (317) 875-0837 • (800) 428-4065



MADE IN THE U.S.A.

CES-912 Commercial Hand Sink

Recommended Specifications

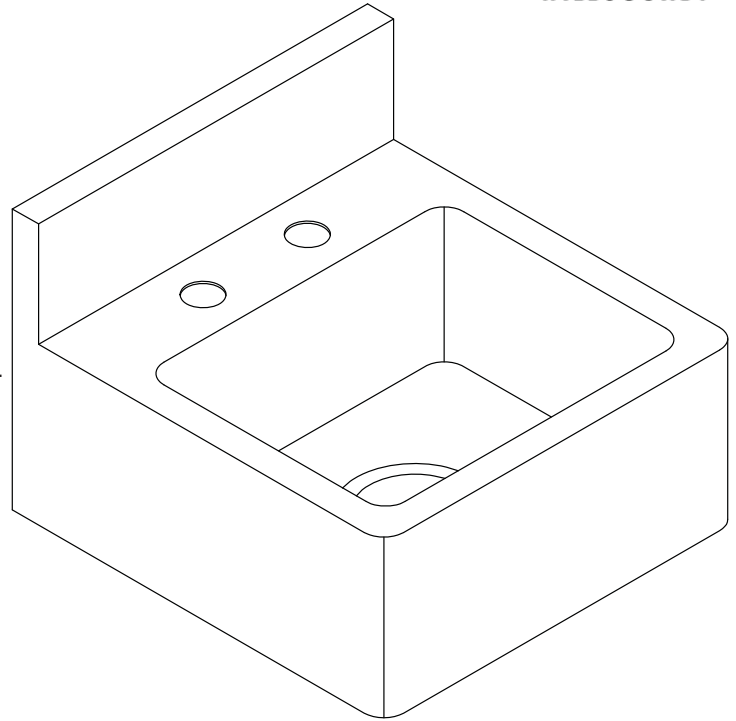
Commercial Hand Sink shall be:
Willoughby Model No. **CES-912**

Fixture shall be fabricated from 16 GA, Type 304 stainless steel.
The construction shall be all-welded, with exposed stainless surfaces polished to a #4 satin finish.

Standard lavatory shall include:

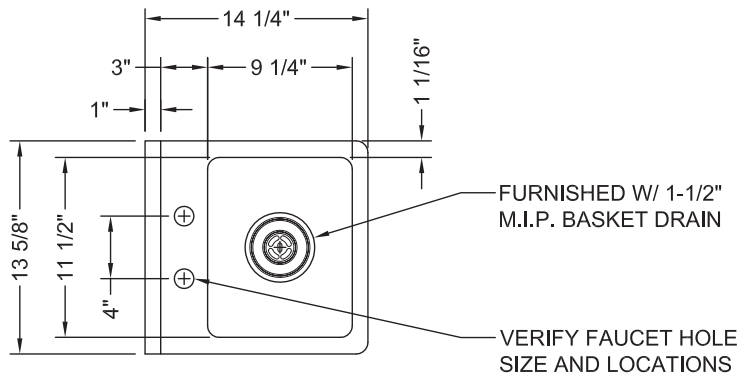
- Rectangular shaped bowl, 11-1/2" x 9-1/4" x 5" deep
- 1-1/2" M.I.P. basket drain
- 4"-on-center deck mounted faucet holes (Faucet by others)

Anchoring shall be from the front with 'Z' clips and anchoring holes, anchoring hardware by others. Unit requires no chase area for installation and maintenance.

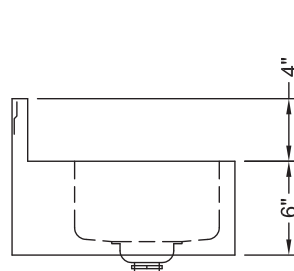


(Unit may be shown with optional features)

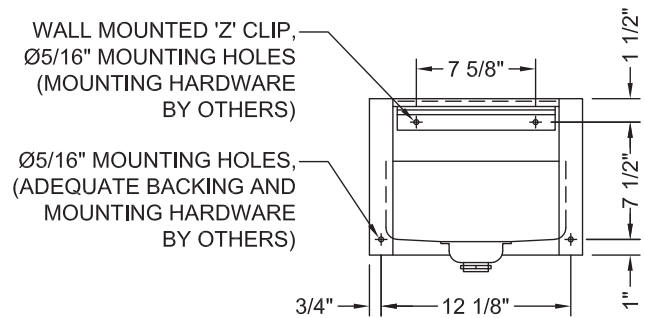
VERIFY ALL DIMENSIONS WITH FACTORY PRIOR TO ROUGH-IN
WILLOUGHBY RESERVES THE RIGHT TO MAKE CHANGES IN DESIGN AND DIMENSIONS WITHOUT FORMAL NOTICE AND WITHOUT INCURRING OBLIGATION.



PLAN VIEW



SIDE VIEW



REAR VIEW

visit our website at www.willoughby-ind.com
5105 West 78th Street • Indianapolis, IN. 46268
(317) 875-0830 • Fax: (317) 875-0837 • (800) 428-4065



MADE IN THE U.S.A.

CSS-2419 Commercial Service Sink

Recommended Specifications

Commercial Service Sink shall be:
Willoughby Model No. **CSS-2419**

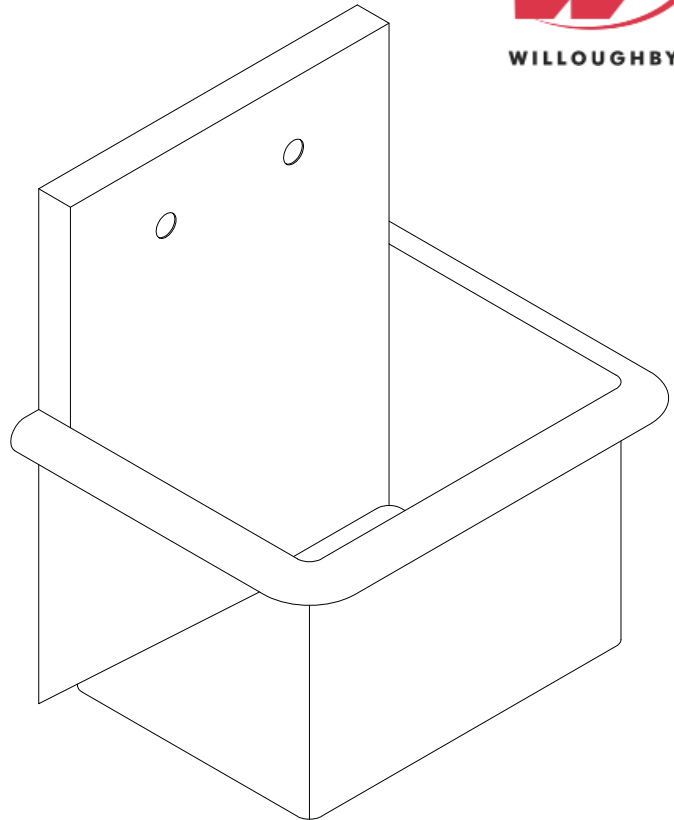
Fixture shall be fabricated from 14 GA, Type 304 stainless steel.
The construction shall be all-welded, with exposed stainless surfaces polished to a #4 satin finish.

Standard equipment shall include:

- Rectangular shaped, 20" x 15" x 14" deep sink bowl
- 1-1/2" M.I.P. basket drain

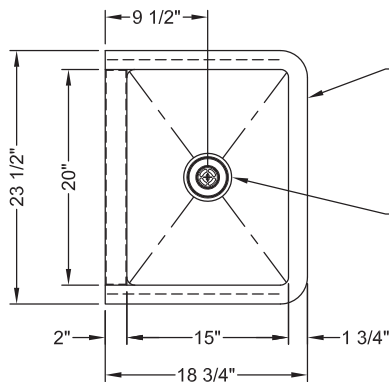
Faucet by others. The service sink is manufactured to ASME A112.19.3/CSA B45.4.

Anchoring shall be from the front with 'Z' clips and anchoring holes, anchoring hardware by others. Unit requires no chase area for installation and maintenance.



(Unit may be shown with optional features)

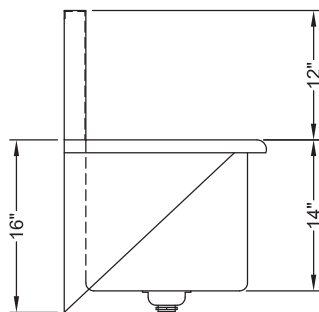
VERIFY ALL DIMENSIONS WITH FACTORY PRIOR TO ROUGH-IN
WILLOUGHBY RESERVES THE RIGHT TO MAKE CHANGES IN DESIGN AND DIMENSIONS WITHOUT FORMAL NOTICE AND WITHOUT INCURRING OBLIGATION.



PLAN VIEW

14 GAUGE S/S SINK
W/ FULLY WELDED
AND POLISHED CORNERS

FURNISHED W/ 1-1/2"
M.I.P. BASKET DRAIN

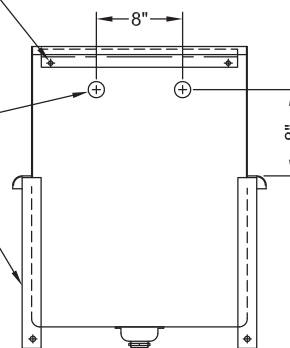


SIDE VIEW

WALL MOUNTED 'Z' CLIP,
Ø5/16" MOUNTING HOLES
(MOUNTING HARDWARE
BY OTHERS)

(2) Ø1 1/2" FAUCET HOLES
(FAUCET BY OTHERS)

WALL BRACKETS,
ADEQUATE BACKING
AND MOUNTING
HARDWARE BY OTHERS



REAR VIEW

visit our website at www.willoughby-ind.com
5105 West 78th Street • Indianapolis, IN. 46268
(317) 875-0830 • Fax: (317) 875-0837 • (800) 428-4065



MADE IN THE U.S.A.

CWMES Series Multiple Station Hand Sink

Recommended Specifications

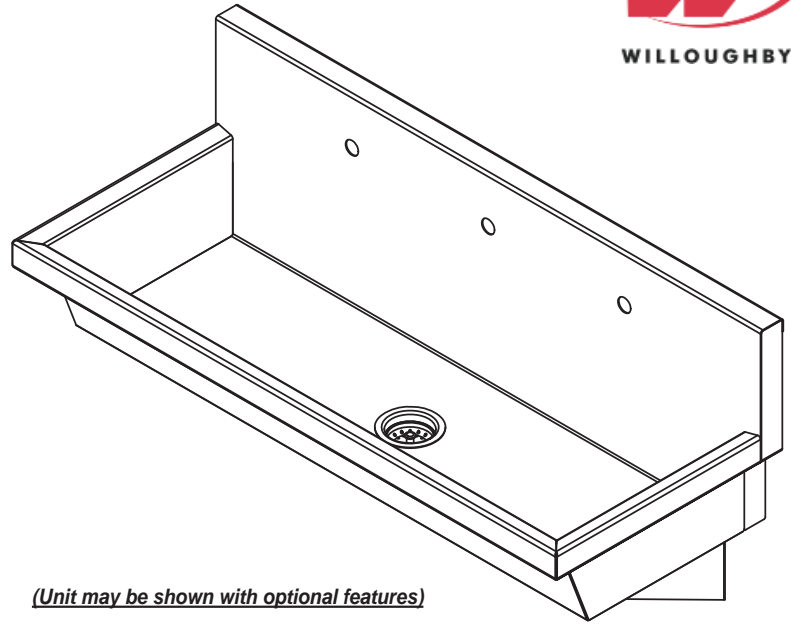
Multiple Station Hand Sink shall be:
Willoughby Model No. **CWMES-___**
(select model from table options)

Fixture, including bracing, shall be fabricated from 14 GA, Type 304 stainless steel. The construction shall be all-welded with exposed exterior stainless steel surfaces polished to a #4 satin finish.

Standard equipment shall include:
- 1-1/2" M.I.P. basket strainer drain

Faucets by others.

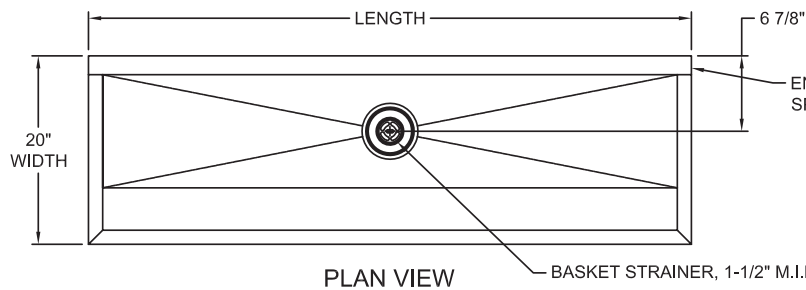
Anchoring shall be from the front with Z-clips and mounting holes. Anchoring hardware by others. Unit requires no chase area for installation and maintenance.



(Unit may be shown with optional features)

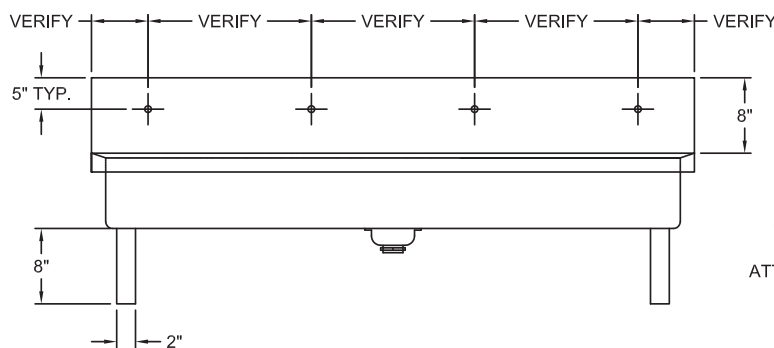
✓	MODEL NUMBER	LENGTH	WIDTH	DEPTH	FAUCET STATIONS
	CWMES-3620	36"	20"	8"	2
	CWMES-4820	48"	20"	8"	2
	CWMES-6020	60"	20"	8"	3
	CWMES-7220	72"	20"	8"	3
	CWMES-9620	96"	20"	8"	4

VERIFY ALL DIMENSIONS WITH FACTORY PRIOR TO ROUGH-IN
WILLOUGHBY RESERVES THE RIGHT TO MAKE CHANGES IN DESIGN AND DIMENSIONS WITHOUT FORMAL NOTICE AND WITHOUT INCURRING OBLIGATION.

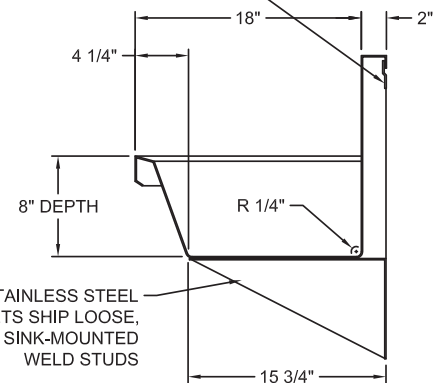


NOTE:
VERIFY THE NUMBER OF STATIONS AND FAUCET HOLE PUNCHING CONFIGURATIONS

Z-CLIPS INCLUDED
(5 1/2"L., 14 GA. STAINLESS STEEL)



FRONT VIEW, 4-STATION



**TYP. SECTION VIEW
(NOT TO SCALE)**

12 GA. STAINLESS STEEL BRACKETS SHIP LOOSE, ATTACH TO SINK-MOUNTED WELD STUDS

visit our website at www.willoughby-ind.com

5105 West 78th Street • Indianapolis, IN. 46268

(317) 875-0830 • Fax: (317) 875-0837 • (800) 428-4065



MADE IN THE U.S.A.

CWWS Commercial Wall Sink

Recommended Specifications

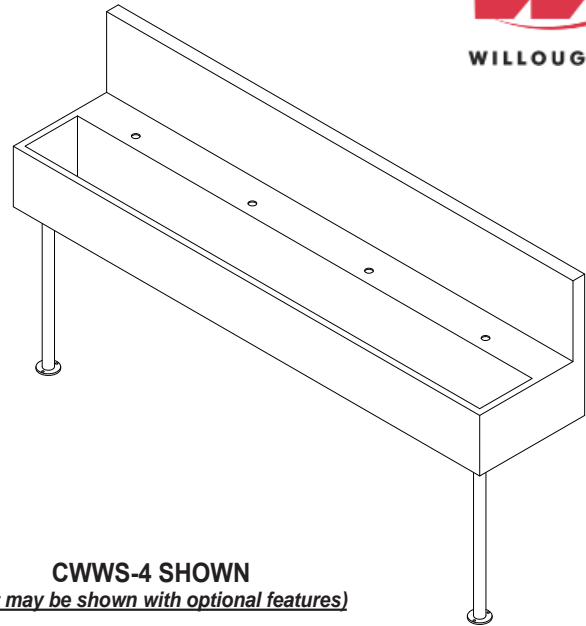
Commercial Wall Sink shall be:
Willoughby Model No. **CWWS-___**
(select model from table)

Fixture shall be fabricated from 14 GA, Type 304 stainless steel with 12 GA stainless steel under-bracing. The construction shall be all-welded with exposed exterior surfaces polished to a #4 satin finish. Bowl interior is a bead-blast finish.

Standard equipment shall include:

- Rectangular stainless steel bowl w/sound-deadened underside
- 1-1/2" O.D. stainless steel legs
- Flanged feet with (3) Ø5/16" holes for floor anchoring
- Z-clip for wall mounting
- 5" square flat strainer
- Ø1-1/2" x 4" long welded stainless steel tailpiece

Unit is field plumbed for faucet connections.
Verify faucet hole configurations when ordering.



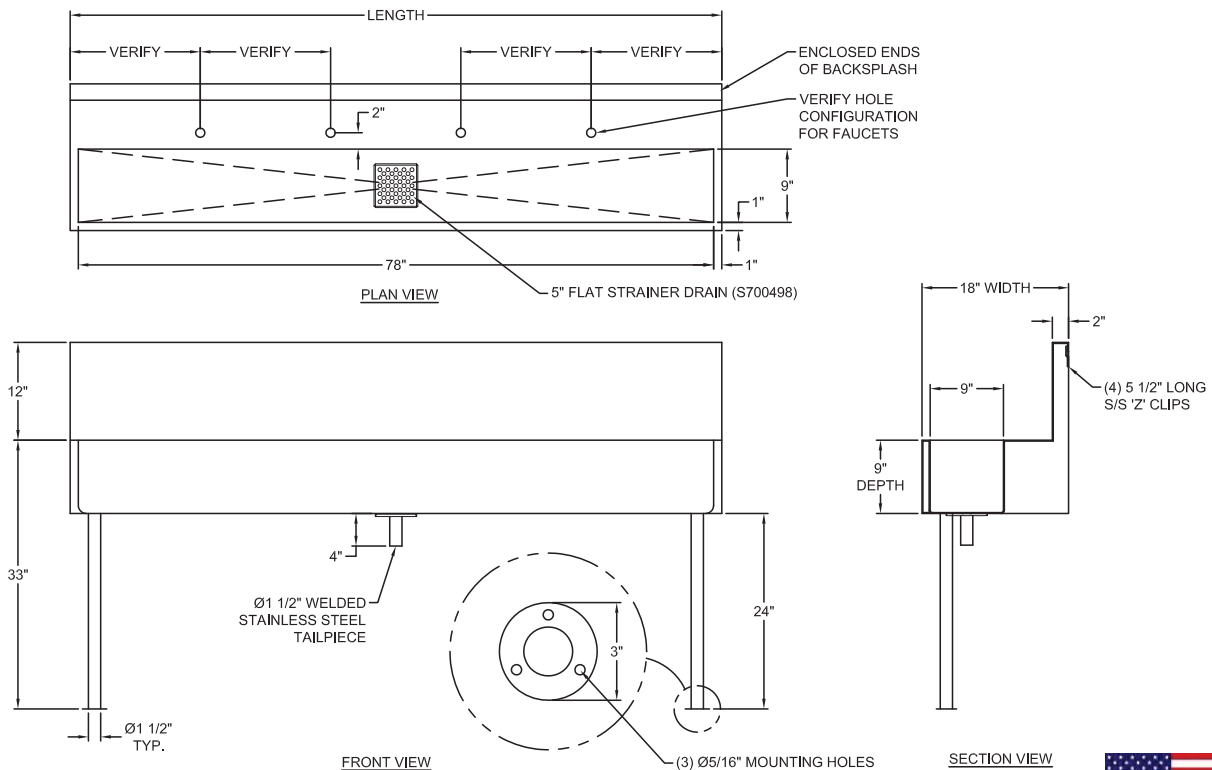
CWWS-4 SHOWN
(Unit may be shown with optional features)

✓	MODEL NUMBER	STATIONS	LENGTH	WIDTH
	CWWS-2	2	48"	18"
	CWWS-3	3	62"	18"
	CWWS-4	4	80"	18"
	CWWS-5	5	102"	18"

Other Options:

- SD Surface Mounted Soap Dishes

VERIFY ALL DIMENSIONS WITH FACTORY PRIOR TO ROUGH-IN
WILLOUGHBY RESERVES THE RIGHT TO MAKE CHANGES IN DESIGN AND DIMENSIONS WITHOUT FORMAL NOTICE AND WITHOUT INCURRING OBLIGATION.



visit our website at www.willoughby-ind.com
5105 West 78th Street • Indianapolis, IN. 46268
(317) 875-0830 • Fax: (317) 875-0837 • (800) 428-4065



MADE IN THE U.S.A.

CWIS Island Sink

Recommended Specifications

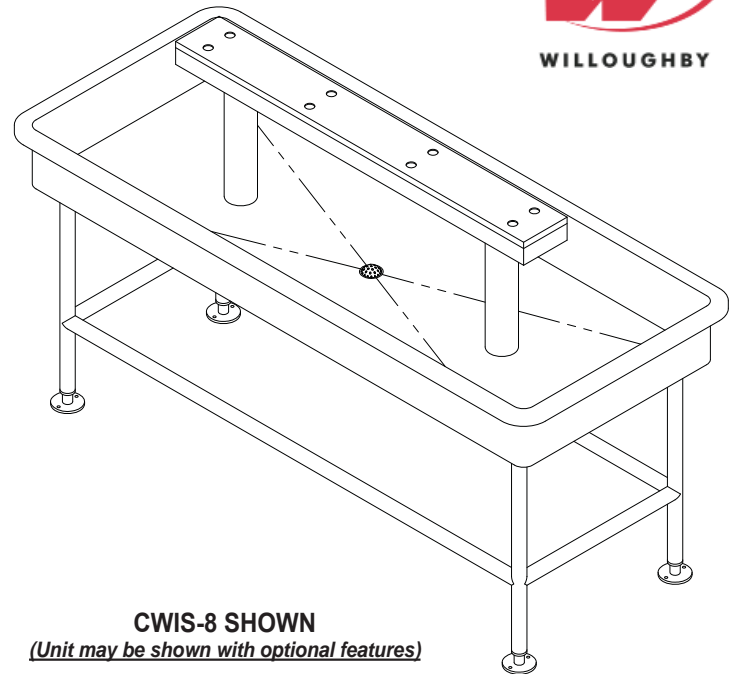
Island sink shall be: Willoughby Model No. **CWIS-___**
(select model from model number and options page)

Fixture shall be fabricated from 14 GA, Type 304 stainless steel with 12 GA stainless steel under-bracing. The construction shall be all-welded with exposed exterior surfaces polished to a #4 satin finish. Bowl interior is a bead-blast finish.

Standard equipment shall include:

- Stainless steel bowl and head assembly
- Ø4" stainless support columns
- Ø1-1/2" O.D. stainless steel legs, adjustable flanged feet with (2) Ø5/16" holes for anchoring to the floor
- 2" beehive strainer with Ø2" x 4" long welded-on s/s tailpiece
- sound deadened underside of sink bowl.

Stainless steel head assembly cover is secured with vandal resistant screws. Unit is field plumbed for faucet connections. Verify faucet hole configurations when ordering.



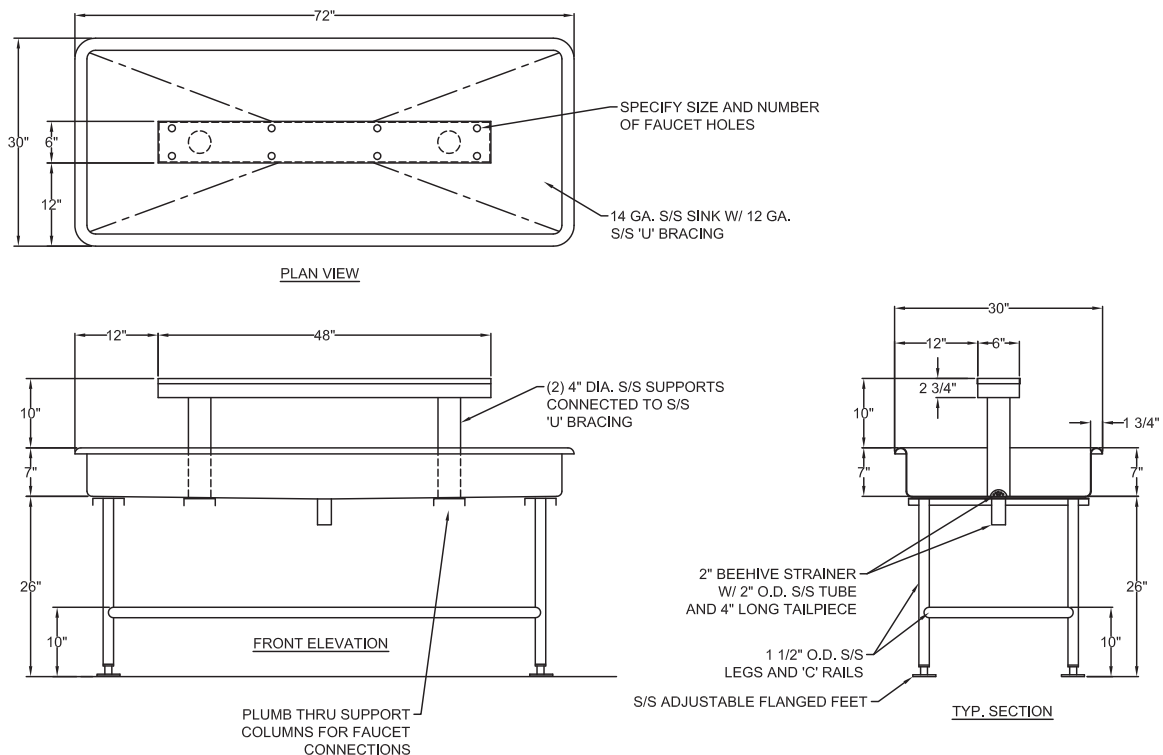
CWIS-8 SHOWN
(Unit may be shown with optional features)

✓	MODEL NUMBER	STATIONS	LENGTH	WIDTH
	CWIS-6	6	58"	30"
	CWIS-8	8	72"	30"

Other Options:

- SD Surface Mounted Soap Dishes
- ENB Enclosed Base

VERIFY ALL DIMENSIONS WITH FACTORY PRIOR TO ROUGH-IN
WILLOUGHBY RESERVES THE RIGHT TO MAKE CHANGES IN DESIGN AND DIMENSIONS WITHOUT FORMAL NOTICE AND WITHOUT INCURRING OBLIGATION.



visit our website at www.willoughby-ind.com
5105 West 78th Street • Indianapolis, IN. 46268
(317) 875-0830 • Fax: (317) 875-0837 • (800) 428-4065



MADE IN THE U.S.A.

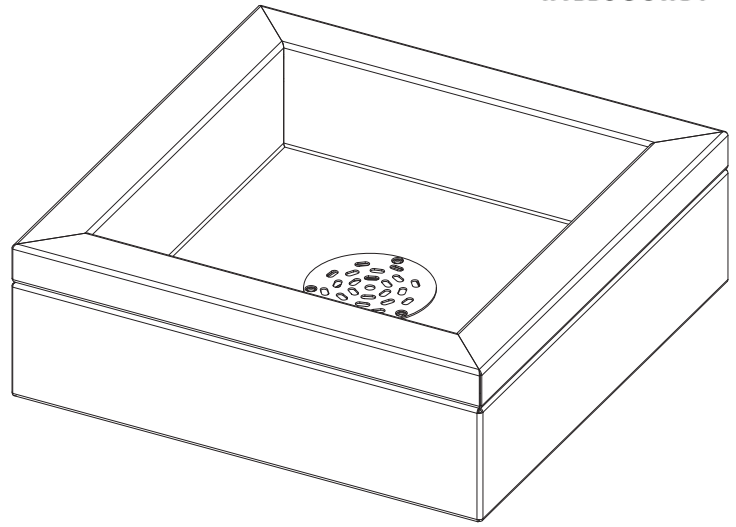
CWMS Series Commercial Mop Sink

Recommended Specifications

Commercial Mop Sink shall be:
Willoughby Model No. **CWMS-___**
(select model from table and options list)

Entire fixture shall be fabricated from 16 GA, Type 304 stainless steel. The construction shall be all-welded, with exposed exterior stainless surfaces polished to a #4 satin finish.

Standard equipment shall include: rectangular shaped sink (as selected from table), 3" caulk drain w/ removable strainer.



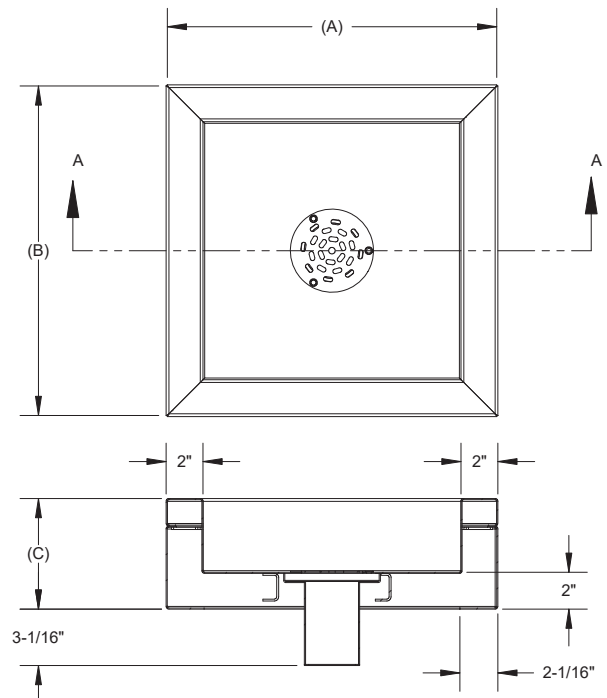
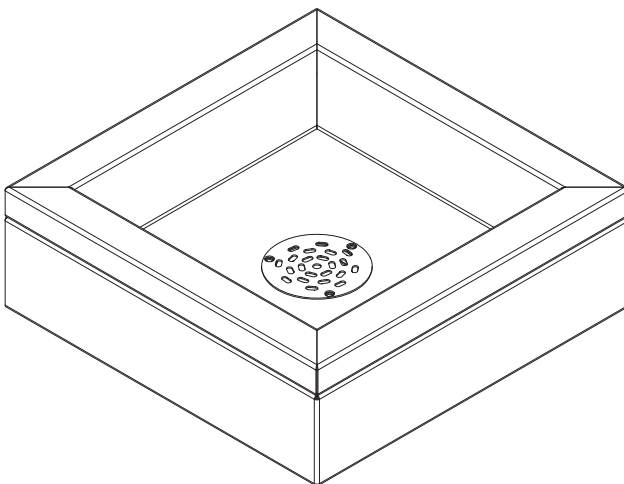
✓	MODEL NUMBER	SIZE: A x B x C
	CWMS-24246	24" x 24" x 6"
	CWMS-242412	24" x 24" x 12"
	CWMS-32326	32" x 32" x 6"
	CWMS-323212	32" x 32" x 12"
	CWMS-36366	36" x 36" x 6"
	CWMS-363612	36" x 36" x 12"

(Unit may be shown with optional features)

Other Options:

- KH36 36" Long Hose w/ Wall Hanger
- KMH 3 Mop Hanger- Stainless Steel Bracket
- KWG24 Stainless Steel Wall Guard 12" x 24", Specify Quantity: _____
- KWG32 Stainless Steel Wall Guard 12" x 32", Specify Quantity: _____
- KWG36 Stainless Steel Wall Guard 12" x 36", Specify Quantity: _____

VERIFY ALL DIMENSIONS WITH FACTORY PRIOR TO ROUGH-IN
WILLOUGHBY RESERVES THE RIGHT TO MAKE CHANGES IN DESIGN AND DIMENSIONS WITHOUT FORMAL NOTICE AND WITHOUT INCURRING OBLIGATION.



SECTION A-A

visit our website at www.willoughby-ind.com
5105 West 78th Street • Indianapolis, IN. 46268
(317) 875-0830 • Fax: (317) 875-0837 • (800) 428-4065



MADE IN THE U.S.A.

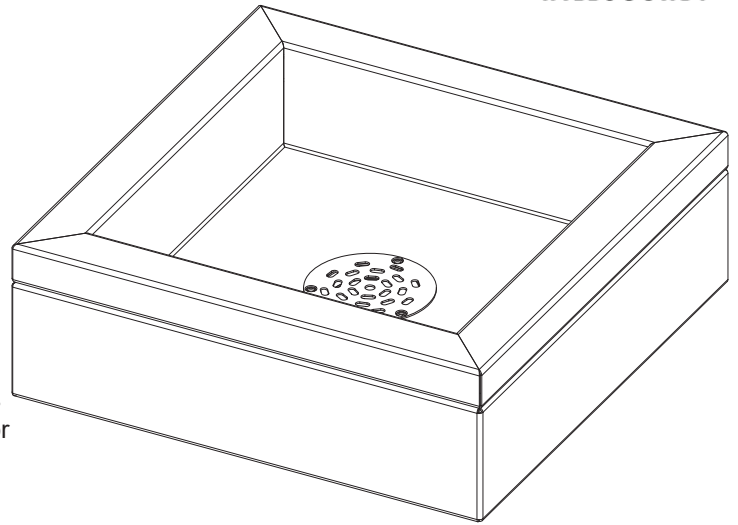
WMS Series Mop Sink

Recommended Specifications

Mop Sink shall be:
Willoughby Model No. **WMS-___**
(select model from table above).

Entire fixture shall be fabricated from 14 GA, Type 304 stainless steel. The construction shall be all-welded, with exposed exterior stainless surfaces polished to a #4 satin finish.

Standard equipment shall include: rectangular shaped sink (as selected from table), 3" caulk drain w/ removable strainer.



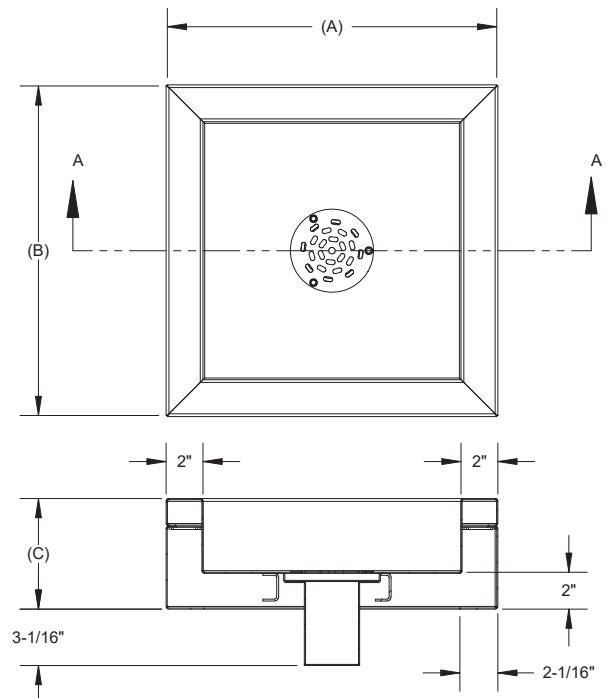
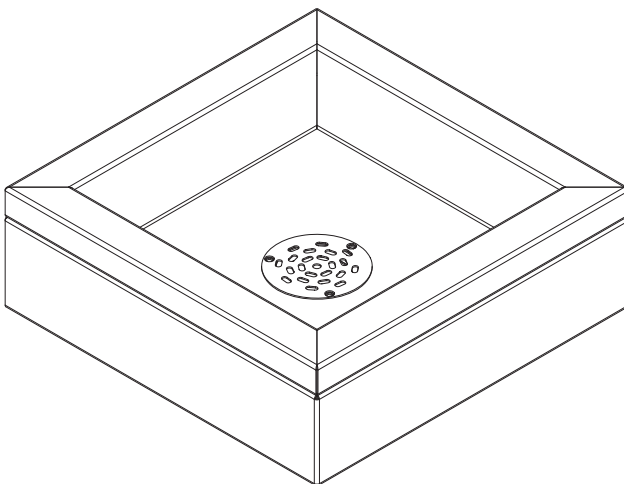
✓	MODEL NUMBER	SIZE: A x B x C
	WMS-24246	24" x 24" x 6"
	WMS-242412	24" x 24" x 12"
	WMS-32326	32" x 32" x 6"
	WMS-323212	32" x 32" x 12"
	WMS-36366	36" x 36" x 6"
	WMS-363612	36" x 36" x 12"

(Unit may be shown with optional features)

Other Options:

- KH36 36" Long Hose w/ Wall Hanger
- KMH 3 Mop Hanger- Stainless Steel Bracket
- KWG24 Stainless Steel Wall Guard 12" x 24", Specify Quantity: _____
- KWG32 Stainless Steel Wall Guard 12" x 32", Specify Quantity: _____
- KWG36 Stainless Steel Wall Guard 12" x 36", Specify Quantity: _____

VERIFY ALL DIMENSIONS WITH FACTORY PRIOR TO ROUGH-IN
WILLOUGHBY RESERVES THE RIGHT TO MAKE CHANGES IN DESIGN AND DIMENSIONS WITHOUT FORMAL NOTICE AND WITHOUT INCURRING OBLIGATION.



SECTION A-A

visit our website at www.willoughby-ind.com
5105 West 78th Street • Indianapolis, IN. 46268
(317) 875-0830 • Fax: (317) 875-0837 • (800) 428-4065



MADE IN THE U.S.A.

SB-1823 Stainless Steel Shampoo Bowl

Recommended Specifications

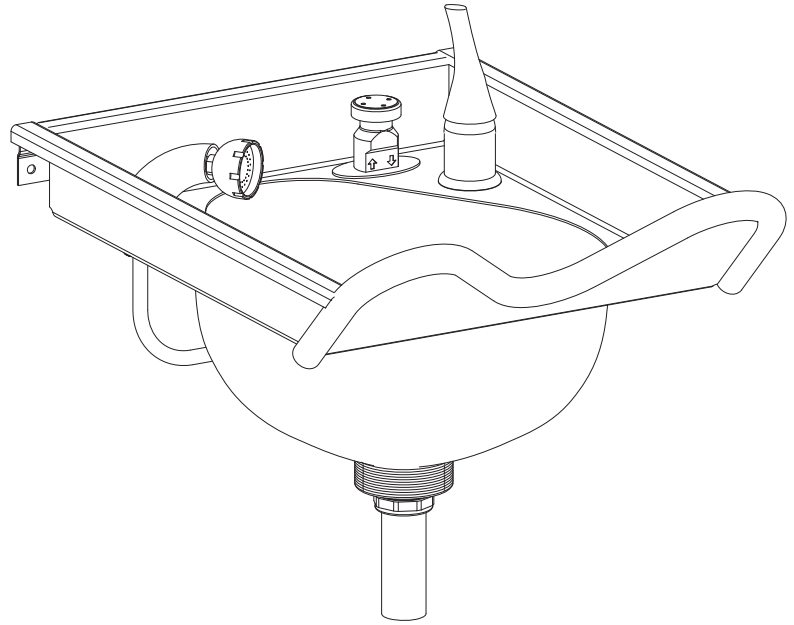
Stainless Steel Shampoo Bowl shall be:
Willoughby Model No. **SB-1823**

The shampoo bowl shall accommodate one user at a time and have a contoured neck rest.

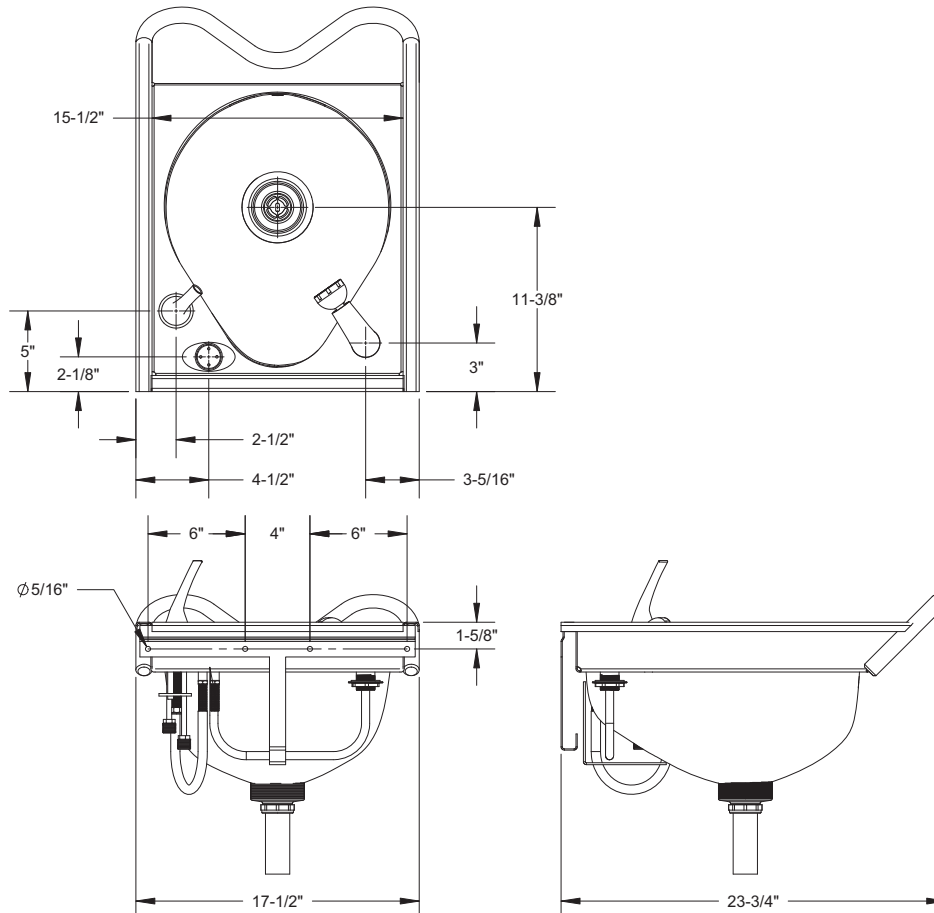
Standard shampoo bowl shall be fabricated from 14 GA, Type 304 stainless steel, and includes:

- Stainless steel 3-1/2" basket strainer with drain
- Wall mounting bracket (less wall mounting hardware)

An optional single handle multi-temperature faucet with removable hand-held sprayer and vacuum breaker is available (shown, P/N: WSB-KIT).



(Unit may be shown with optional features)



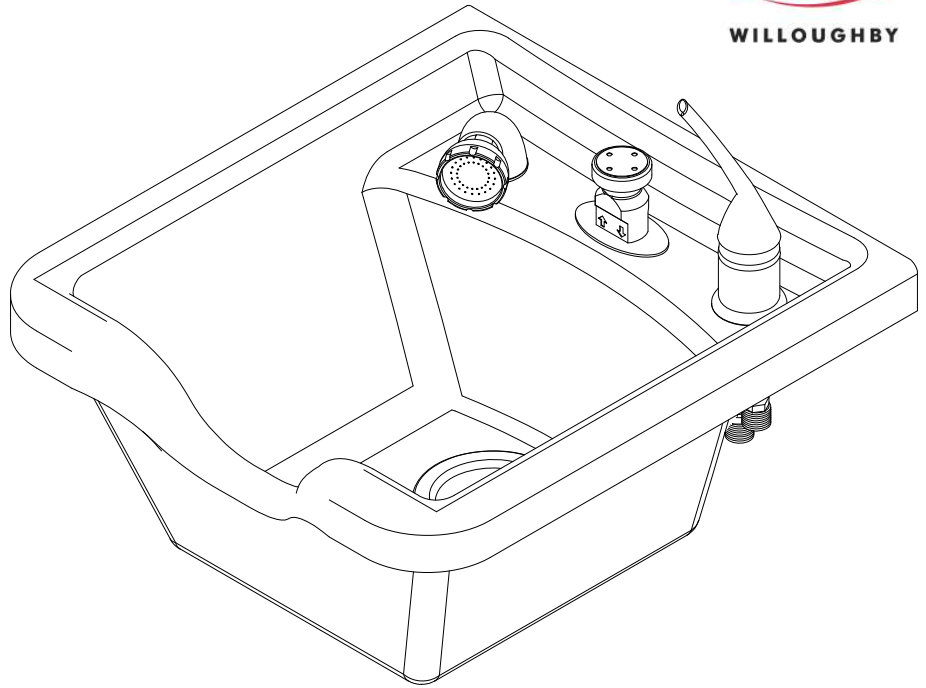
VERIFY ALL DIMENSIONS WITH FACTORY PRIOR TO ROUGH-IN
WILLOUGHBY RESERVES THE RIGHT TO MAKE CHANGES IN DESIGN AND DIMENSIONS WITHOUT FORMAL NOTICE AND WITHOUT INCURRING OBLIGATION.

visit our website at www.willoughby-ind.com
5105 West 78th Street • Indianapolis, IN. 46268
(317) 875-0830 • Fax: (317) 875-0837 • (800) 428-4065



MADE IN THE U.S.A.

WSB-1911 Aquasurf® Solid Surface Shampoo Bowl 18" Wide



(SOME OPTIONS MAY BE SHOWN)

To specify fixture and accessories, use the Model Number and Options page.

Example: To specify an Aquasurf Solid Surface Shampoo Bowl (18" Wide) with single faucet, vacuum breaker, and hand sprayer in Red Coral

Use the following Willoughby Model Number: **WSB-1911-SHF-RC**

Recommended Specifications

Aquasurf® Solid Surface Shampoo Bowl (18" Wide) shall be:
Willoughby Model No. **WSB-1911**
(Select from model number and options list on next page)

The 18" Wide Aquasurf® shampoo bowl shall accommodate one user at a time and have a contoured neck rest.

Standard WSB-1911 shampoo bowl shall be fabricated from Aquasurf® Solid Surface material, and includes:

- Stainless steel 3-1/2" basket strainer with drain
- Wall mounting bracket (less wall mounting hardware)

An optional single handle multi-temperature faucet with removable hand-held sprayer and vacuum breaker is available.

Aquasurf® WSB-1911 shall be constructed of molded cast polymer densified solid surface material composed of polyester/ acrylic resin. UV stabilizer, aluminum trihydrate, mineral fillers and proprietary colorant. The Aquasurf® solid surface material is resistant to stains, impact and burns.

Surface damage can be easily repaired with everyday cleaners and/or fine grit abrasives.

visit our website at www.willoughby-ind.com

5105 West 78th Street • Indianapolis, IN. 46268

(317) 875-0830 • Fax: (317) 875-0837 • (800) 428-4065



MADE IN THE U.S.A.

MODEL NUMBER AND OPTIONS:

1.) Base Model Number:

WSB-1911 Aquasurf® Solid Surface Shampoo Bowl (18" Wide)

2.) Hole Selection:

- NF No Faucet Included (Drilled By Others)
- SHF Single Handle Faucet with Vacuum Breaker and Hand Held Sprayer

3.) Solid Surface Colors:

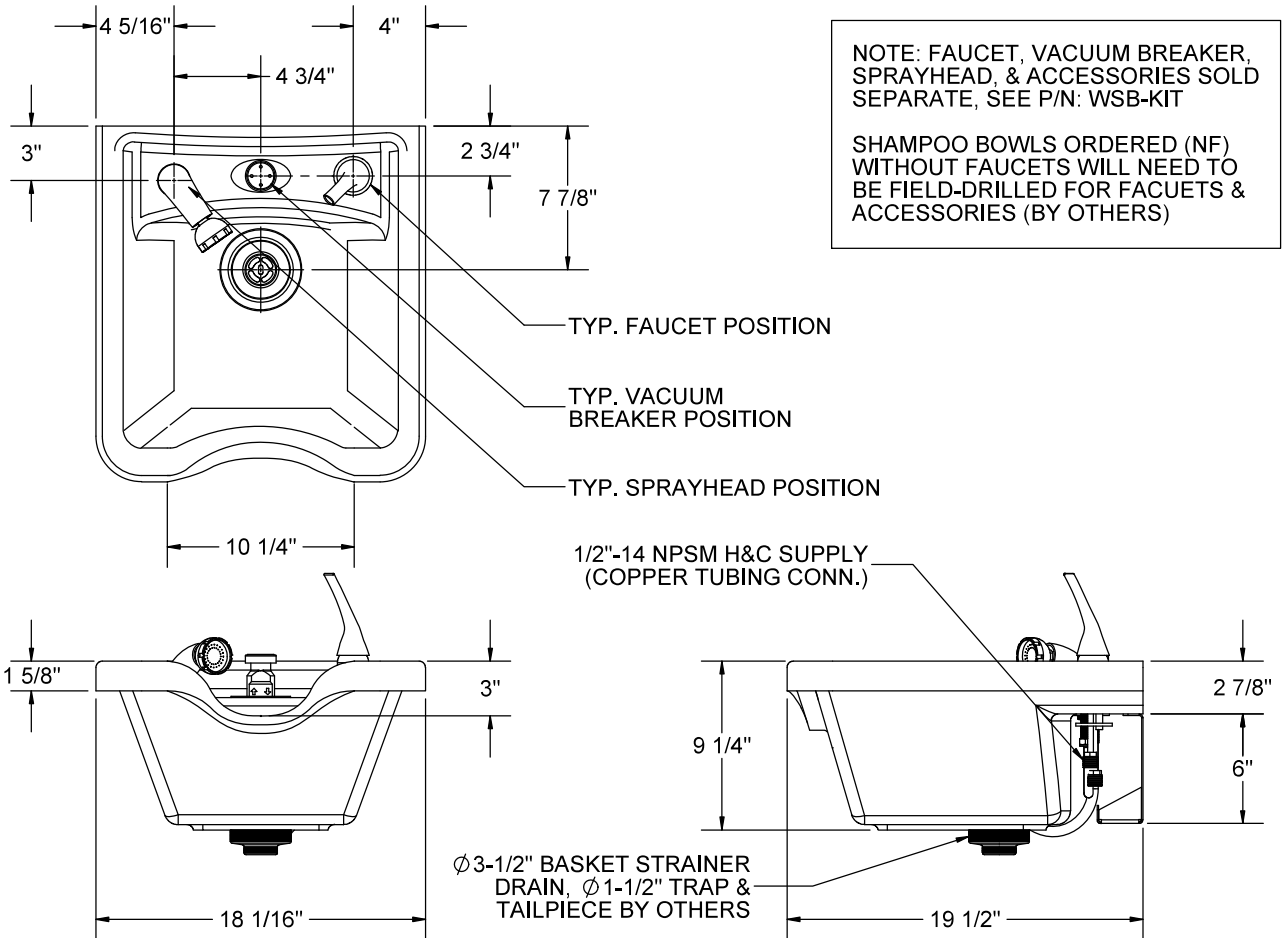
- BN Bone
- GW Glacier White
- GG Gray Granite
- SS Sandstone
- WG White Granite
- BG Black Granite
- NB Nocturnal Blue
- RC Red Coral
- SG Sea Green

4.) Options:

- Other _____
- Other _____

Approved For Manufacturing By: _____ Date: _____ Company: _____
 Wall Thickness: _____ Wall Type: _____

VERIFY ALL DIMENSIONS WITH FACTORY PRIOR TO ROUGH-IN
 WILLOUGHBY RESERVES THE RIGHT TO MAKE CHANGES IN DESIGN AND DIMENSIONS WITHOUT FORMAL NOTICE AND WITHOUT INCURRING OBLIGATION.



visit our website at www.willoughby-ind.com

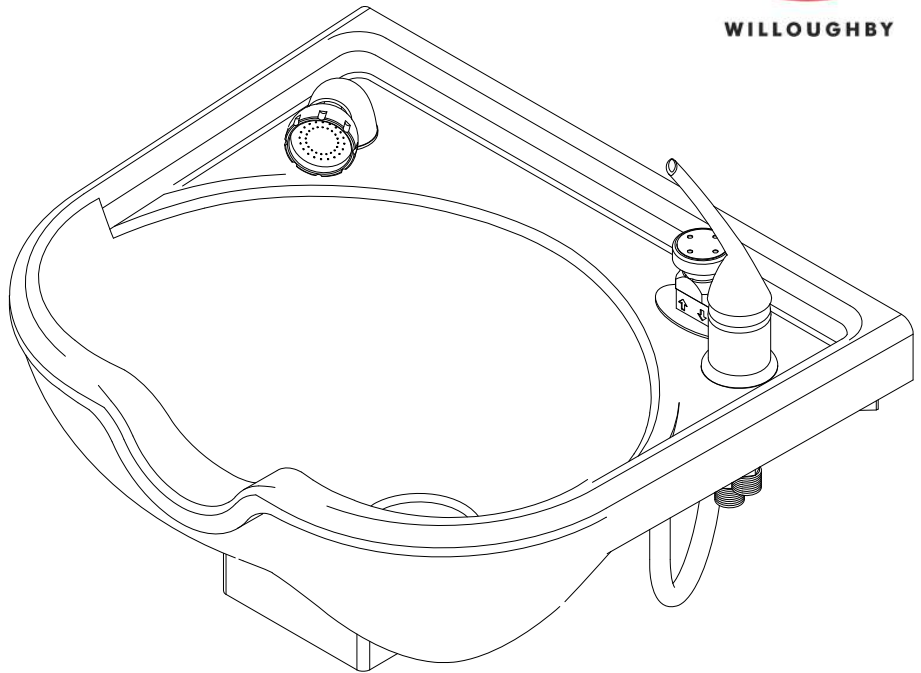
5105 West 78th Street • Indianapolis, IN. 46268

(317) 875-0830 • Fax: (317) 875-0837 • (800) 428-4065



MADE IN THE U.S.A.

WSB-2111 Aquasurf® Solid Surface Shampoo Bowl 22" Wide



(SOME OPTIONS MAY BE SHOWN)

To specify fixture and accessories, use the Model Number and Options page.

Example: To specify an Aquasurf Solid Surface Shampoo Bowl (22" Wide) with single faucet, vacuum breaker, and hand sprayer in Red Coral

Use the following Willoughby Model Number: **WSB-2111-SHF-RC**

Recommended Specifications

Aquasurf® Solid Surface Shampoo Bowl (22" Wide) shall be:
Willoughby Model No. **WSB-2111**
(Select from model number and options list on next page)

The 22" Wide Aquasurf® shampoo bowl shall accommodate one user at a time and have a contoured neck rest.

Standard WSB-2111 shampoo bowl shall be fabricated from Aquasurf® Solid Surface material, and includes:

- Stainless steel 3-1/2" basket strainer with drain
- Wall mounting bracket (less wall mounting hardware)

An optional single handle multi-temperature faucet with removable hand-held sprayer and vacuum breaker is available.

Aquasurf® WSB-2111 shall be constructed of molded cast polymer densified solid surface material composed of polyester/ acrylic resin. UV stabilizer, aluminum trihydrate, mineral fillers and proprietary colorant. The Aquasurf® solid surface material is resistant to stains, impact and burns.

Surface damage can be easily repaired with everyday cleaners and/or fine grit abrasives.

visit our website at www.willoughby-ind.com

5105 West 78th Street • Indianapolis, IN. 46268

(317) 875-0830 • Fax: (317) 875-0837 • (800) 428-4065



MADE IN THE U.S.A.

MODEL NUMBER AND OPTIONS:

1.) Base Model Number:

WSB-2111 Aquasurf® Solid Surface Shampoo Bowl (22" Wide)

2.) Hole Selection:

- NF No Faucet Included (Drilled By Others)
- SHF Single Handle Faucet with Vacuum Breaker and Hand Held Sprayer

3.) Solid Surface Colors:

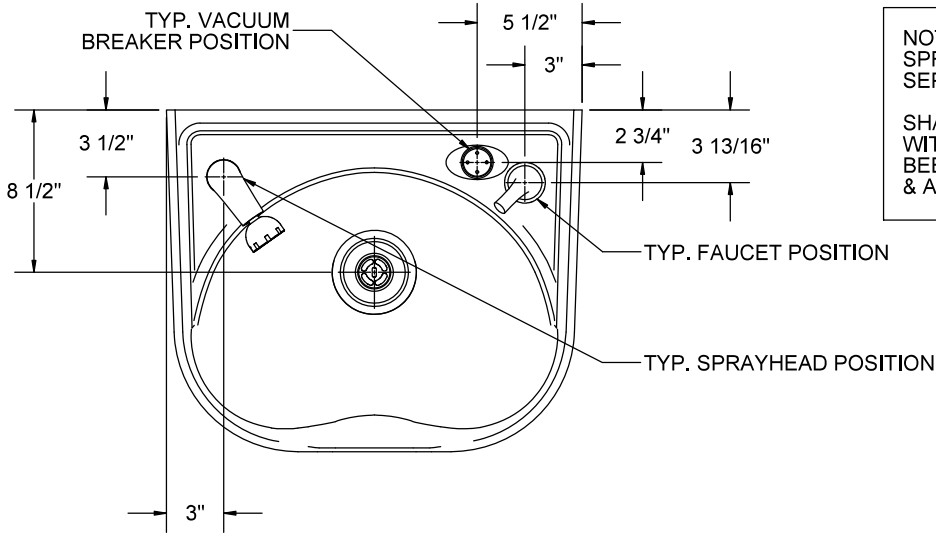
- BN Bone
- GW Glacier White
- GG Gray Granite
- SS Sandstone
- WG White Granite
- BG Black Granite
- NB Nocturnal Blue
- RC Red Coral
- SG Sea Green

4.) Options:

- Other _____
- Other _____

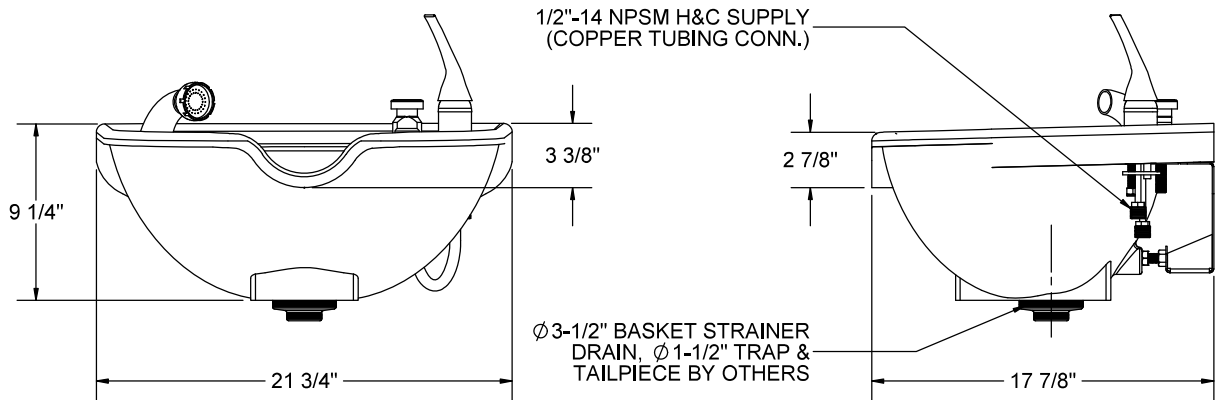
Approved For Manufacturing By: _____ Date: _____ Company: _____
 Wall Thickness: _____ Wall Type: _____

VERIFY ALL DIMENSIONS WITH FACTORY PRIOR TO ROUGH-IN
 WILLOUGHBY RESERVES THE RIGHT TO MAKE CHANGES IN DESIGN AND DIMENSIONS WITHOUT FORMAL NOTICE AND WITHOUT INCURRING OBLIGATION.



NOTE: FAUCET, VACUUM BREAKER, SPRAYHEAD, & ACCESSORIES SOLD SEPARATE, SEE P/N: WSB-KIT

 SHAMPOO BOWLS ORDERED (NF) WITHOUT FAUCETS, WILL NEED TO BEE FIELD-DRILLED FOR FAUCETS & ACCESSORIES (BY OTHERS)



visit our website at www.willoughby-ind.com
 5105 West 78th Street • Indianapolis, IN. 46268
 (317) 875-0830 • Fax: (317) 875-0837 • (800) 428-4065



MADE IN THE U.S.A.

HB Series Hose Box

✓	MODEL NUMBER	DESCRIPTION
	HB-8140	SINGLE TEMPERATURE HOSE BOX - WITH WALL FLANGE, LESS DOOR, LESS VACUUM BREAKER
	HB-8141	SINGLE TEMPERATURE HOSE BOX - WITH WALL FLANGE, LESS DOOR, WITH VACUUM BREAKER
	HB-8145	DUAL TEMPERATURE HOSE BOX - WITH WALL FLANGE, LESS DOOR, LESS VACUUM BREAKER
	HB-8146	DUAL TEMPERATURE HOSE BOX - WITH WALL FLANGE, LESS DOOR, WITH VACUUM BREAKER
	HB-8150	SINGLE TEMPERATURE HOSE BOX - WITH WALL FLANGE, WITH DOOR, LESS VACUUM BREAKER
	HB-8151	SINGLE TEMPERATURE HOSE BOX - WITH WALL FLANGE, WITH DOOR, WITH VACUUM BREAKER
	HB-8155	DUAL TEMPERATURE HOSE BOX - WITH WALL FLANGE, WITH DOOR, LESS VACUUM BREAKER
	HB-8156	DUAL TEMPERATURE HOSE BOX - WITH WALL FLANGE, WITH DOOR, WITH VACUUM BREAKER
	HB-8180	SINGLE TEMPERATURE HOSE BOX - WITH WASTE, WITH WALL FLANGE, LESS DOOR, LESS VACUUM BREAKER
	HB-8181	SINGLE TEMPERATURE HOSE BOX - WITH WASTE, WITH WALL FLANGE, LESS DOOR, WITH VACUUM BREAKER
	HB-8185	DUAL TEMPERATURE HOSE BOX - WITH WASTE, WITH WALL FLANGE, LESS DOOR, LESS VACUUM BREAKER
	HB-8186	DUAL TEMPERATURE HOSE BOX - WITH WASTE, WITH WALL FLANGE, LESS DOOR, WITH VACUUM BREAKER

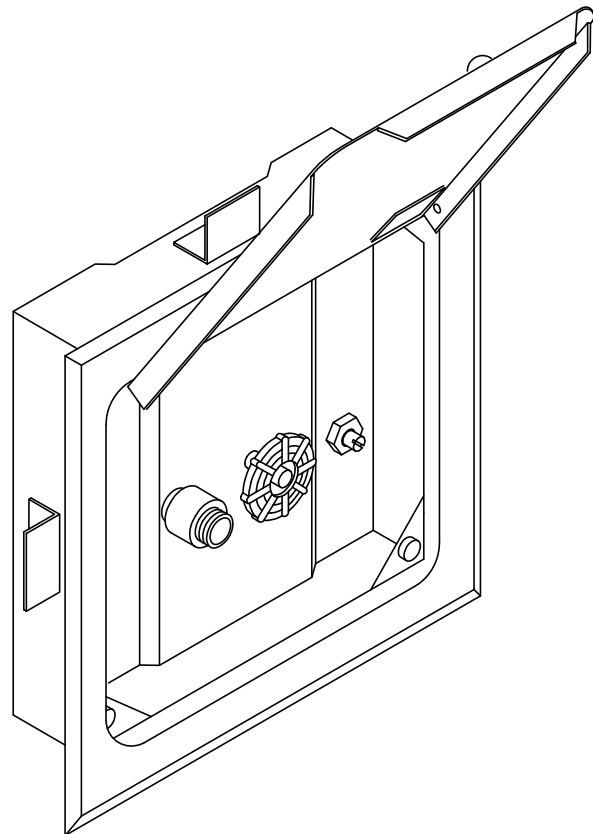
Recommended Specifications

HB Series Hose Box shall be:
Willoughby Model No. **HB-**_____ (Select from model number table shown above)

Recessed box, wall flange, waste outlet, and door (if applicable) shall be fabricated from T304 stainless steel with exposed surfaces polished to a satin finish. The wall flange shall mount flush to the supporting finished wall.

Standard equipment shall include:
- 1/2" nominal brass valves and fittings
- screwdriver stops on the inlets

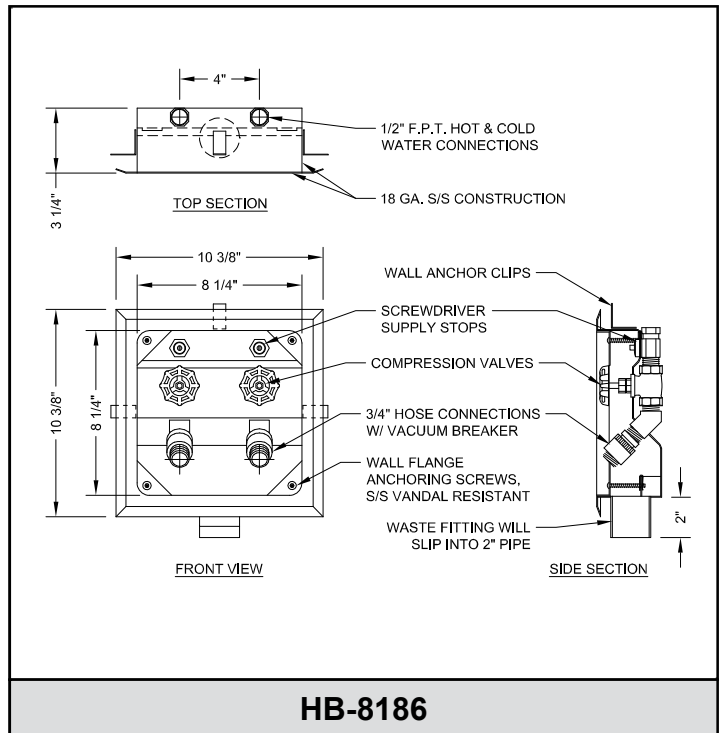
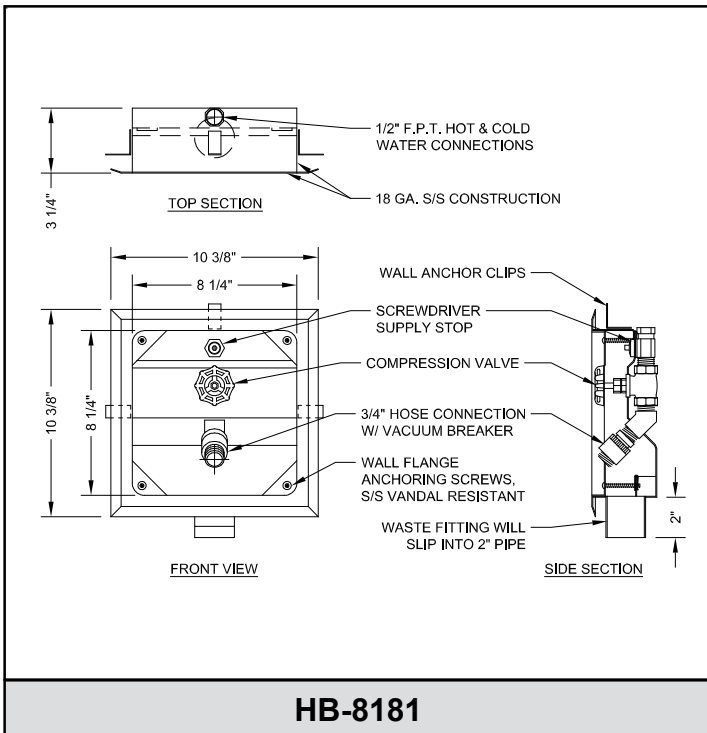
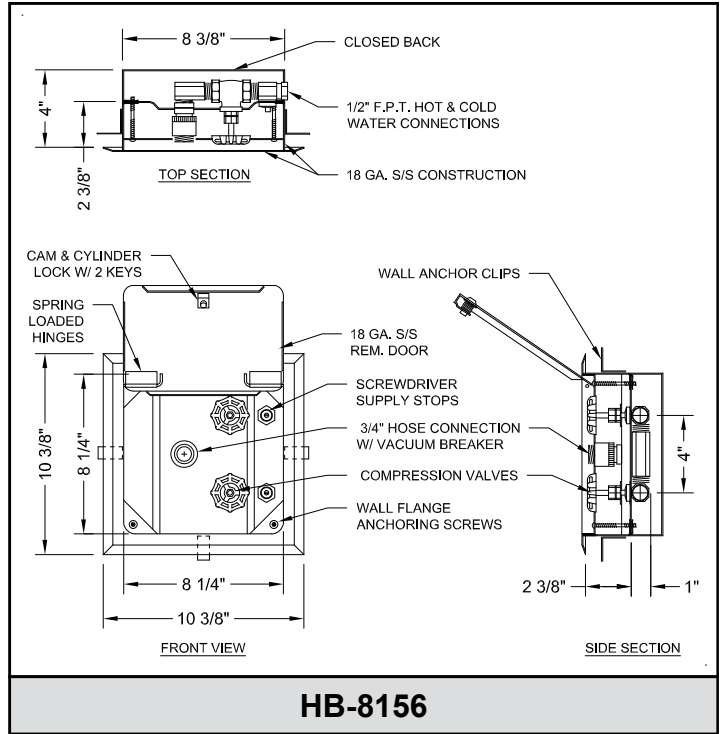
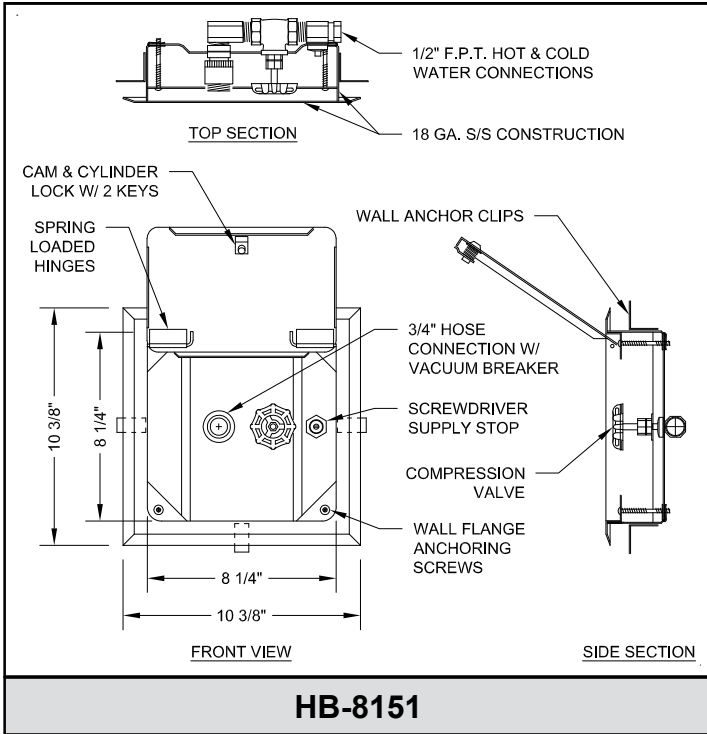
Inlets shall be 1/2" F.I.P. and outlets are 3/4" M.G.H.T.



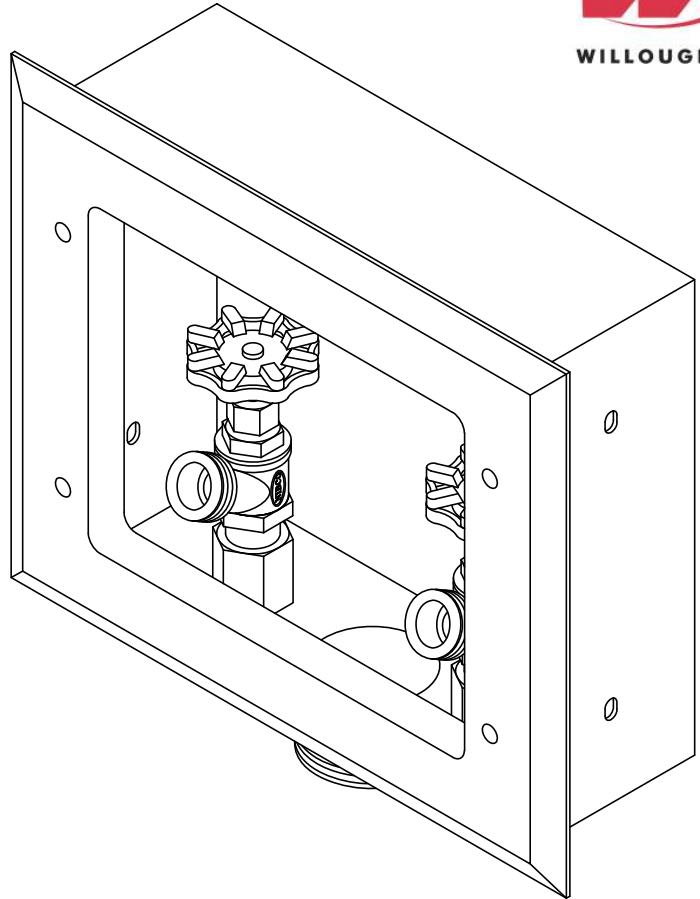
visit our website at www.willoughby-ind.com
5105 West 78th Street • Indianapolis, IN. 46268
(317) 875-0830 • Fax: (317) 875-0837 • (800) 428-4065



MADE IN THE U.S.A.



HBBD Series Hose Box with Wall Flange and Boiler Drain Valve



Recommended Specifications

HBBD Series Hose Box with Wall Flange and Boiler Drain Valve shall be: Willoughby Model No. **HBBD-_____**
(Select from model number and options list on next page)

Hose box and wall flange are fabricated from T304 stainless steel with exposed surfaces polished to a satin finish. The wall flange shall mount flush to the supporting finished wall.

Standard equipment shall include:

- 1/2" brass boiler drain valve(s)
- 2" M.I.P. drain

The valve and stop feature tamper-resistant lock-shield bonnets and replaceable cartridges containing all wearing parts.

Supply inlets are 1/2" F.I.P. and outlets are 3/4" M.G.H.T.

visit our website at www.willoughby-ind.com

5105 West 78th Street • Indianapolis, IN. 46268
(317) 875-0830 • Fax: (317) 875-0837 • (800) 428-4065



MADE IN THE U.S.A.

MODEL NUMBER AND OPTIONS:

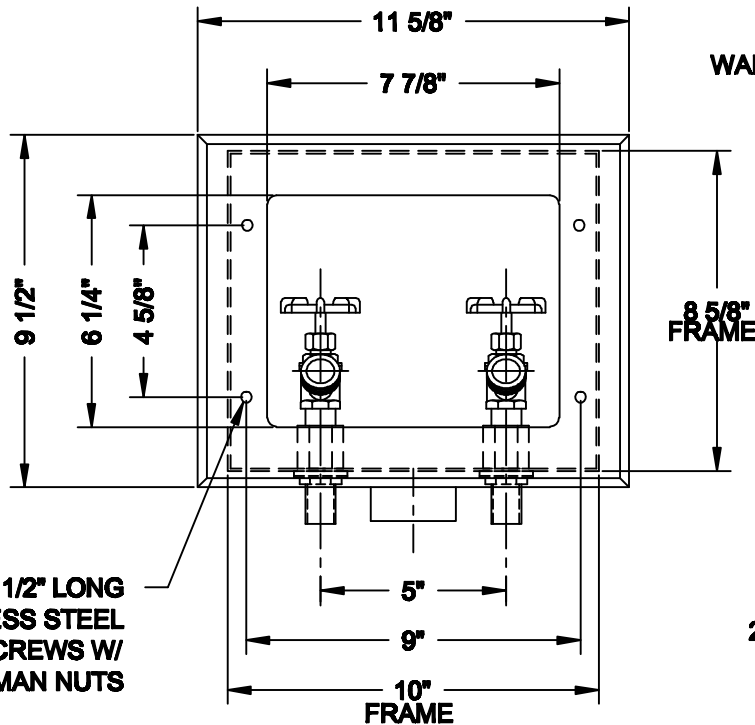
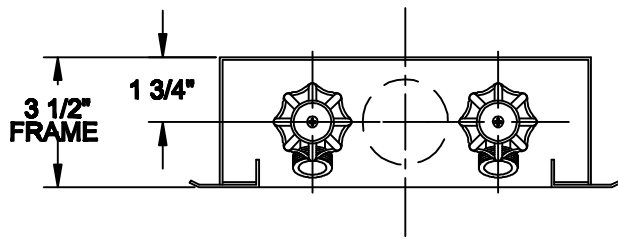
1.) Base Model Number:

- HBBB-8251 Single Temperature HBBB Series Hose Box with Wall Flange and Boiler Drain Valve
- HBBB-8252 Dual Temperature HBBB Series Hose Box with Wall Flange and Boiler Drain Valve

2.) Other Options:

- Other _____
- Other _____

Approved For Manufacturing By: _____ Date: _____ Company: _____
 Wall Thickness: _____ Wall Type: _____



(2) 1/4" x 3/8" LONG WALL MOUNTING SLOTS EACH SIDE

(2) NIBCO HOSE BIBBS

2" M.P.T. DRAIN

(4) 1/4"-20 x 1/2" LONG STAINLESS STEEL SECURITY SCREWS W/ TINNERMAN NUTS

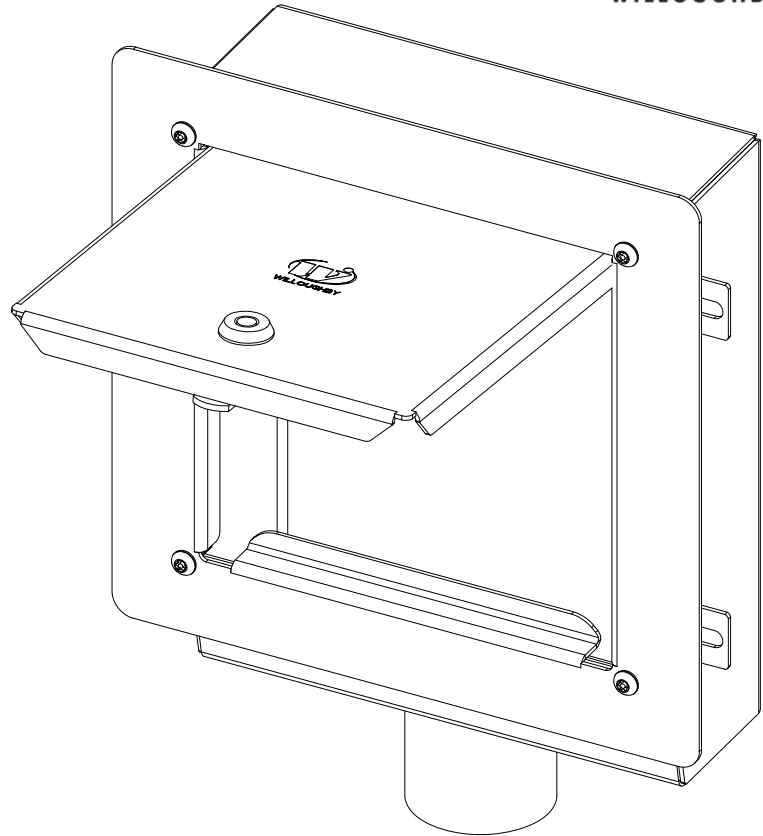
VERIFY ALL DIMENSIONS WITH FACTORY PRIOR TO ROUGH-IN
 WILLOUGHBY RESERVES THE RIGHT TO MAKE CHANGES IN DESIGN AND DIMENSIONS WITHOUT FORMAL NOTICE AND WITHOUT INCURRING OBLIGATION.

visit our website at www.willoughby-ind.com
 5105 West 78th Street • Indianapolis, IN. 46268
 (317) 875-0830 • Fax: (317) 875-0837 • (800) 428-4065



MADE IN THE U.S.A.

HB-8200 Recessed Drain Box w/ Wall Flange and Door



Recommended Specifications

Recessed Drain Box shall be:
Willoughby Model No. **HB-8200**
(Select from model number and options list on next page)

Recessed Drain Box is a Type 304 stainless steel (Type 316 optional), recessed wall box designed to be used with plumbing equipment provided by others. The wall box, wall flange, and locking door shall be fabricated from stainless steel, seam-welded water-tight, with surfaces flush to the supporting wall.

Standard features include:

Drain Box / Receptor:

- The box and receptor will have a standard glass-blast finish.
- The waste receptor/outlet is a $\text{Ø}2\text{-}3/8$ " OD stainless steel tailpiece.
The tailpiece can be connected directly to a nominal $\text{Ø}2$ " drain line with a mechanical coupling.

Wall Flange and Door:

- Both the wall flange and door will have standard #3 satin finishes.
- Wall flange is designed to cover any space between the wall and box and is securely anchored with security screws at each corner.
- The locking door comes standard with cam cylinder lock and two keys.

visit our website at www.willoughby-ind.com
5105 West 78th Street • Indianapolis, IN. 46268
(317) 875-0830 • Fax: (317) 875-0837 • (800) 428-4065



MADE IN THE U.S.A.

MODEL NUMBER AND OPTIONS:

1.) Base Model Number:

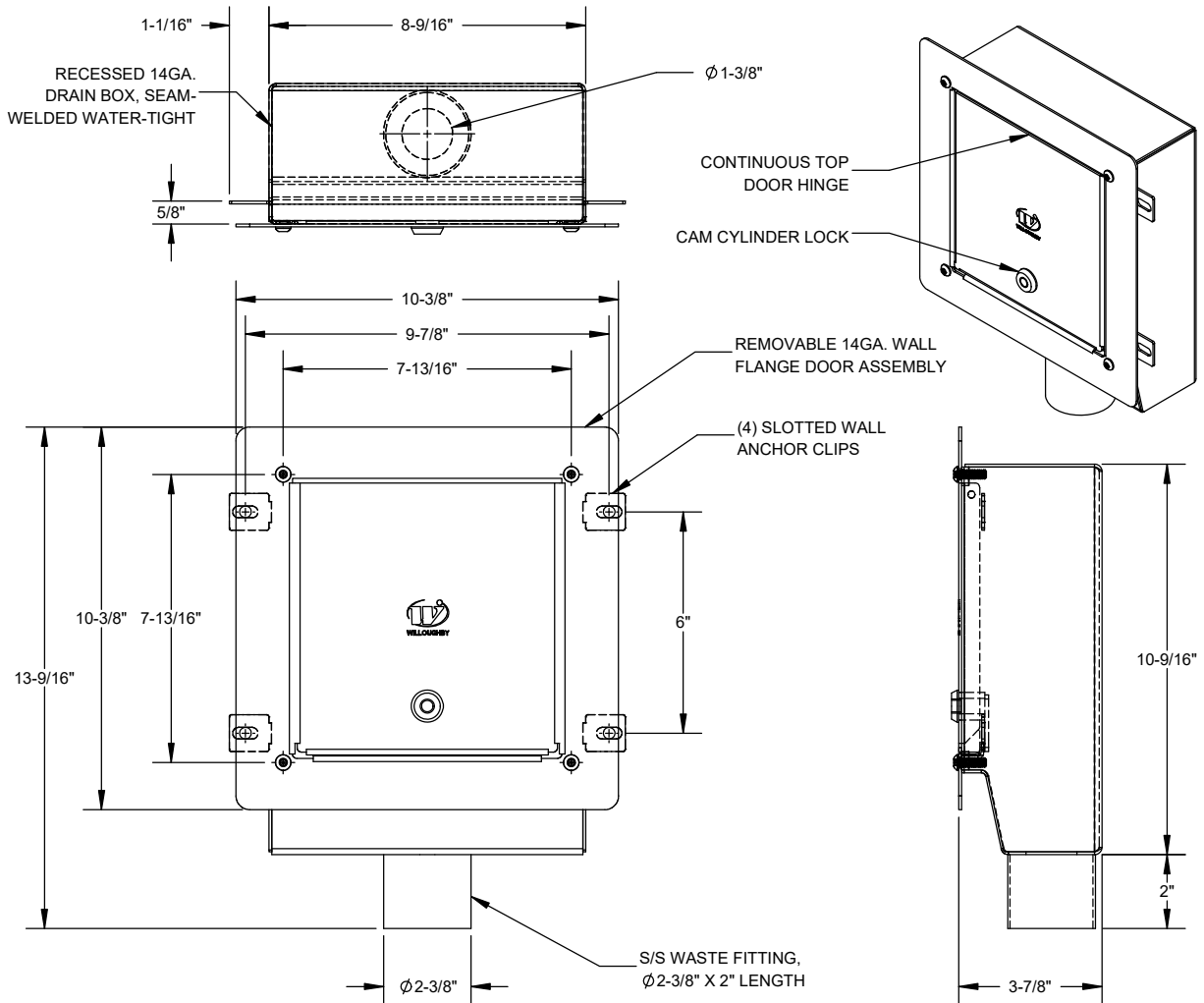
HB-8200 Recessed Drain Box w/ Wall Flange and Door

2.) Other Options:

- 316 T316 Stainless Steel Fixture
- LDR Less Wall Flange and Door
- Other _____
- Other _____

Approved For Manufacturing By: _____ Date: _____ Company: _____
 Wall Thickness: _____ Wall Type: _____

VERIFY ALL DIMENSIONS WITH FACTORY PRIOR TO ROUGH-IN
 WILLOUGHBY RESERVES THE RIGHT TO MAKE CHANGES IN DESIGN AND DIMENSIONS WITHOUT FORMAL NOTICE AND WITHOUT INCURRING OBLIGATION.

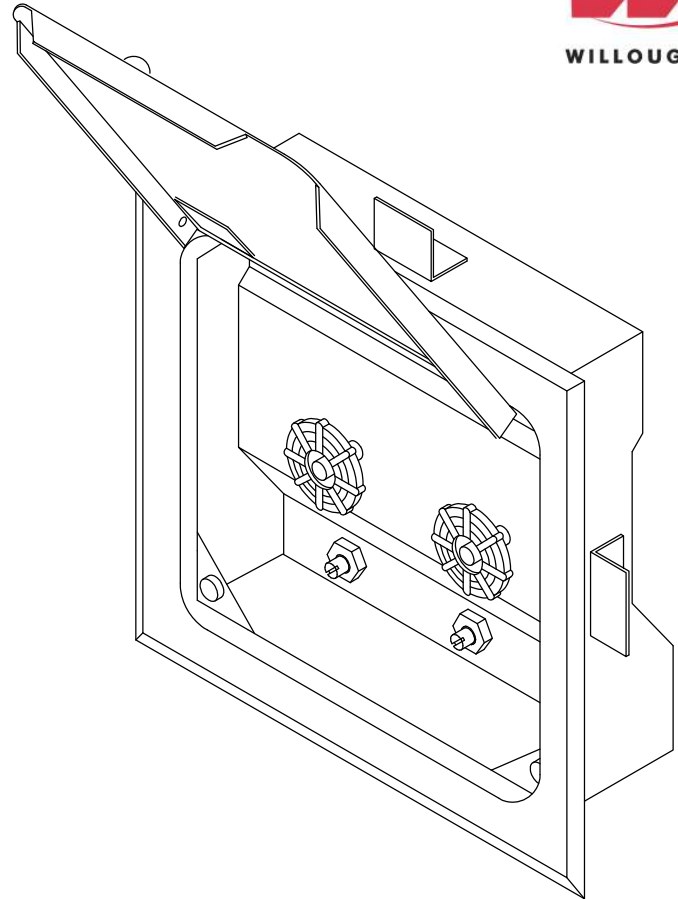


visit our website at www.wiloughby-ind.com
 5105 West 78th Street • Indianapolis, IN. 46268
 (317) 875-0830 • Fax: (317) 875-0837 • (800) 428-4065



MADE IN THE U.S.A.

RSB-8201 Dual Temperature Remote Supply Box



Recommended Specifications

Dual Temperature Remote Supply Box shall be:
Willoughby Model No. **RSB-8201**
(Select from model number and options list on next page)

Remote supply wall box is 18 GA, Type 304 stainless steel with a glass blast finish interior, and exposed surfaces polished to a satin finish. The wall box exterior includes mounting clips for anchoring the box to the wall construction.

Removable stainless steel wall flange is 16 GA, Type 304 stainless steel and includes a removable locking door with cylinder lock. Door hinges are concealed type, and door is easily removed after opening by releasing the hinge pins. Exterior wall flange and door are polished to a satin finish.

Standard equipment shall include:

- 1/2" compression valves
- Atmospheric vacuum breaker
- Screwdriver stops (allow servicing the control valve without shutting down the water supply)
- Removable cylinder lock and two keys

The valve and stop feature tamper-resistant lock-shield bonnets and replaceable cartridges containing all wearing parts.

Supply inlet is 1/2" F.I.P.

visit our website at www.willoughby-ind.com
5105 West 78th Street • Indianapolis, IN. 46268
(317) 875-0830 • Fax: (317) 875-0837 • (800) 428-4065



MADE IN THE U.S.A.

MODEL NUMBER AND OPTIONS:

1.) Base Model Number:

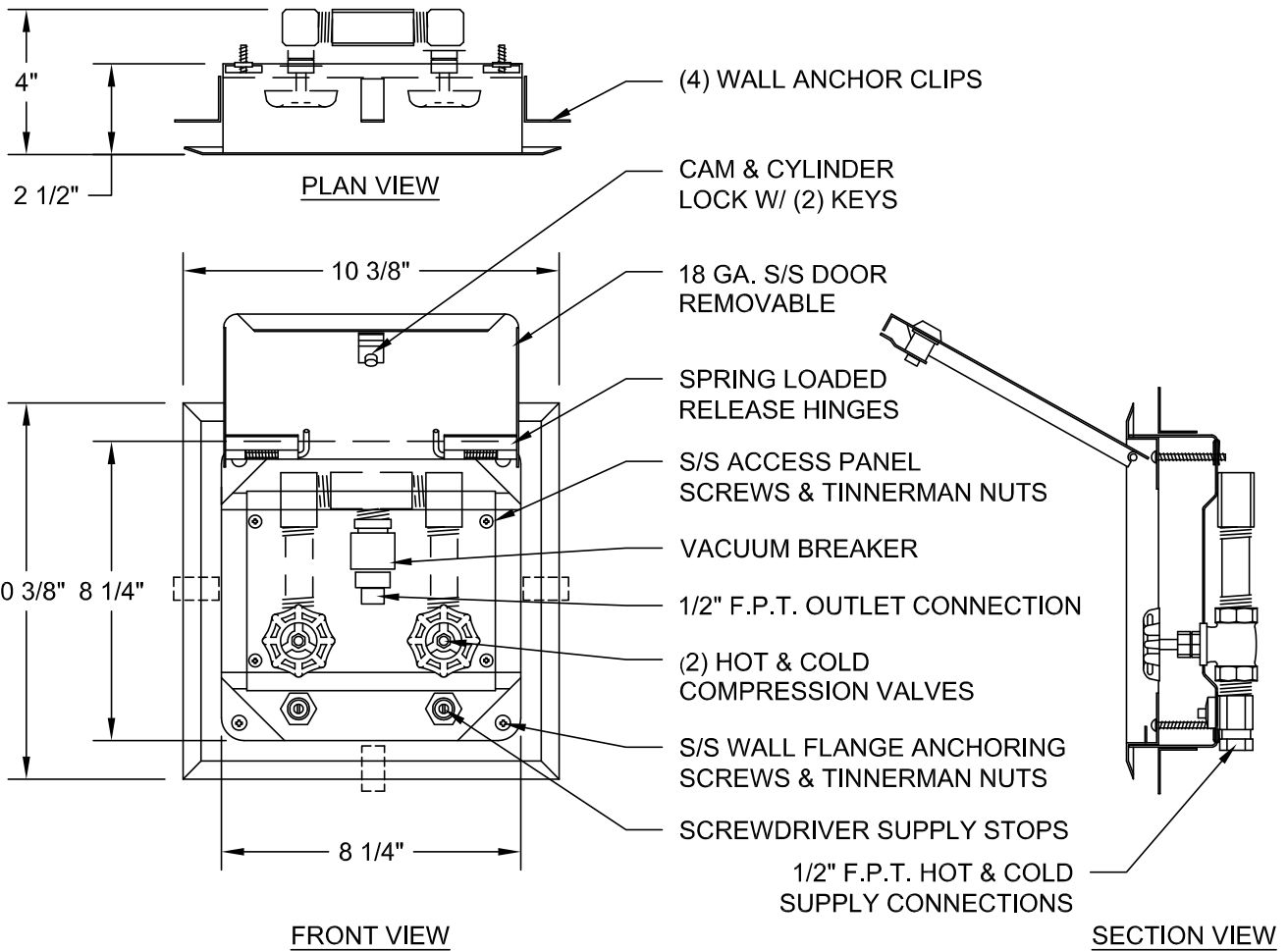
RSB-8201 Dual Temperature Remote Supply Box

2.) Other Options:

Other _____
 Other _____

Approved For Manufacturing By: _____ Date: _____ Company: _____
 Wall Thickness: _____ Wall Type: _____

VERIFY ALL DIMENSIONS WITH FACTORY PRIOR TO ROUGH-IN
 WILLOUGHBY RESERVES THE RIGHT TO MAKE CHANGES IN DESIGN AND DIMENSIONS WITHOUT FORMAL NOTICE AND WITHOUT INCURRING OBLIGATION.

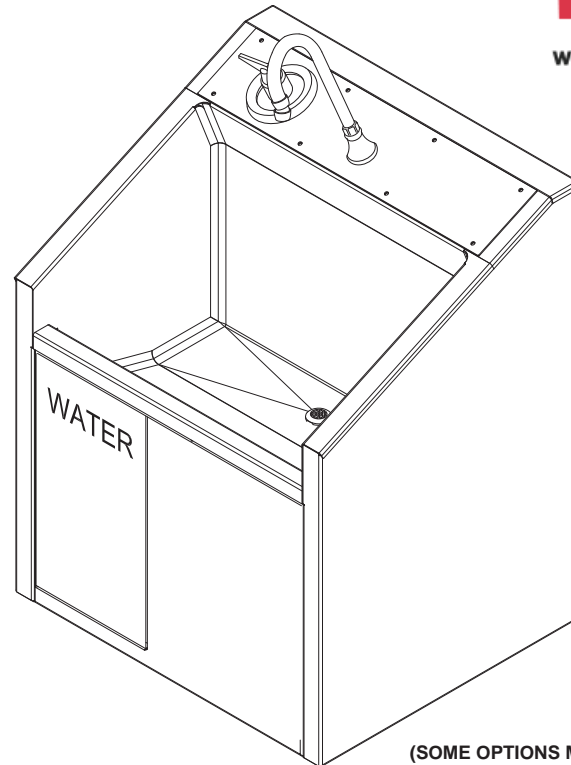


visit our website at www.willoughby-ind.com
 5105 West 78th Street • Indianapolis, IN. 46268
 (317) 875-0830 • Fax: (317) 875-0837 • (800) 428-4065



MADE IN THE U.S.A.

CWSSS Series Commercial Surgical Scrub Sink



(SOME OPTIONS MAY BE SHOWN)

To specify fixture and accessories, use the Model Number and Options page.

Example: To specify a single station Commercial Surgical Scrub Sink with standard temp/pressure-balancing mixing valve, standard knee-activated water actuator, and in-wall mounting carrier

Use the following Willoughby Model Number:

CWSSS-1-TPV-KA-MC

Recommended Specifications

Commercial Surgical Scrub Sink shall be:
Willoughby Model No. **CWSSS**
(Select from model number and options list on next page)

Fixture shall be fabricated from 14 GA, Type 304 stainless steel. The construction shall be all-welded with exposed exterior stainless steel surfaces polished to a #4 satin finish. Bowl shall have a bead-blast finish.

Standard equipment shall include:

- Knee-activated mechanical pilot-type water valves, activated by one push of a knee-operated front panel and turned off by a second push of the panel
- Faucet panel-mounted temperature/pressure mixing valves
- Gooseneck faucets with laminar flow nozzles
- Machined stainless steel drain with tailpiece
- 1-1/2" F.I.P. slip joint, cast brass union 'P' trap

Anchoring shall be from the front with 'Z' clip and wall anchoring hardware (by others); a wall mounting carrier or mounting base is available as optional equipment. Unit requires no chase area for installation and maintenance.

Units are provided with front panels which are easily removed for access to valves and waste connections.

Optional Features:

- IR- Infrared Sensor Actuated Water Valves
- Mounting Carrier
- Mounting Base
- Liquid Soap Dispensers- Knee-activated, Hydraulic
- Storage Shelf
- Light Module- with Built-in Storage Shelf
- Digital Time Display
- Swing-down Eye Wash Stations

visit our website at www.willoughby-ind.com

5105 West 78th Street • Indianapolis, IN. 46268

(317) 875-0830 • Fax: (317) 875-0837 • (800) 428-4065



MADE IN THE U.S.A.

MODEL NUMBER AND OPTIONS:

1.) Base Model:

CWSSS Commercial Surgical Scrub Sink

2.) Number of Stations:

- 1 Single Station
 2 Two Station (with 1 Divider Panel)
 3 Three Station (with 2 Divider Panels)

3.) Temperature Controls:

- TPV Temperature/Pressure-balancing Mixing Valves -Above Deck (Standard)
 PBV Pressure-Balancing Mixing Valves- Above Deck
 TMV Inline Thermostatic Mixing Valves

4.) Water Actuators:

- KA Knee-activated Actuators (Standard)
 IR Infrared Sensor Actuators*

5.) Mounting Options:

- 'Z' Clips (Wall anchors by others) (Standard)
 MC Mounting Carrier (off-floor installation)
 MB Mounting Base (on-floor installation)

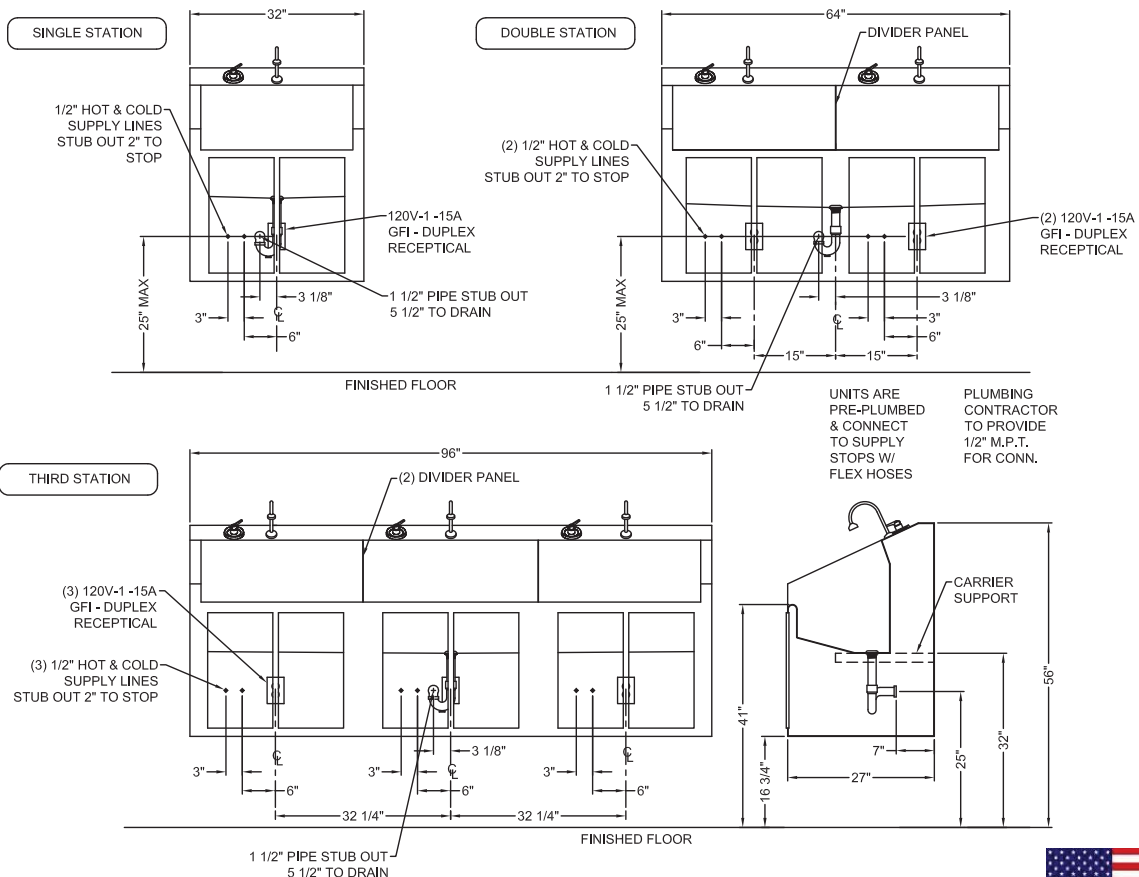
6.) Options:

- LSD Liquid Soap Dispensers (Knee-activated hydraulic)
 LM Light Module w/ Storage Shelf
 (Field-wired to 120V-15A wall switch, by others)
 SHLF Storage Shelf
 DTD Digital Time Display*
 SDEW Swing Down Eye Wash (Mixing valve by others)
 Other: _____
 Other: _____

*(Req. 110V power through ground fault interrupter (GFCI) receptacle)

Approved For Manufacturing By: _____ Date: _____ Company: _____
 Wall Thickness: _____ Wall Type: _____

VERIFY ALL DIMENSIONS WITH FACTORY PRIOR TO ROUGH-IN
 WILLOUGHBY RESERVES THE RIGHT TO MAKE CHANGES IN DESIGN AND DIMENSIONS WITHOUT FORMAL NOTICE AND WITHOUT INCURRING OBLIGATION.

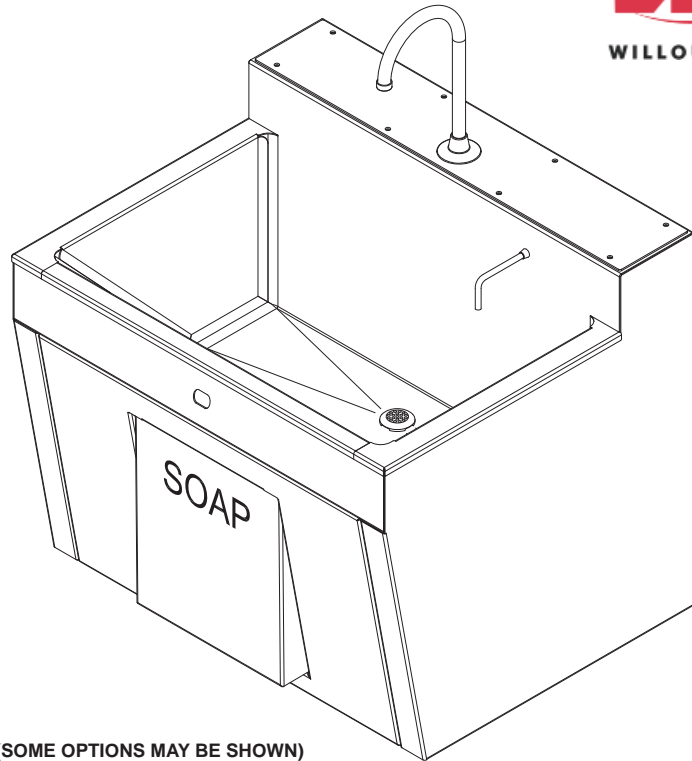


visit our website at www.willoughby-ind.com
 5105 West 78th Street • Indianapolis, IN. 46268
 (317) 875-0830 • Fax: (317) 875-0837 • (800) 428-4065



MADE IN THE U.S.A.

EWSSS Series Economy Surgical Scrub Sink



(SOME OPTIONS MAY BE SHOWN)

To specify fixture and accessories, use the Model Number and Options page.

Example: To specify an single station Economy Surgical Scrub Sink with standard thermostatic mixing valve, infrared sensor actuation, in-wall mounting carrier, and knee-activated liquid soap dispenser

Use the following Willoughby Model Number:
EWSSS-1-TMV-IR-MC-LSD

Recommended Specifications

Economy Surgical Scrub Sink shall be:
Willoughby Model No. **EWSSS**
(Select from model number and options list on next page)

Fixture shall be fabricated from 16 GA, Type 304 stainless steel. The construction shall be all-welded with exposed exterior stainless steel surfaces polished to a #4 satin finish. Bowl shall have a bead-blast finish.

- Standard equipment shall include:
- Knee-activated mechanical pilot/actuator-type water valves, activated by one push of a knee-operated front panel and turned off by a second push of the panel
 - Gooseneck faucets with laminar flow nozzles
 - Inline thermostatic mixing valves
 - Machined stainless steel drain with tailpiece
 - 1-1/2" F.I.P. slip joint, cast brass union 'P' trap.

Anchoring shall be from the front with 'Z' clip and wall anchoring hardware (by others); a wall mounting carrier or mounting base is available as optional equipment. Unit requires no chase area for installation and maintenance. Two- and Three-stations shall include divider panels.

Units are provided with front panels which are easily removed for access to valves and waste connections.

Optional Features:

- IR- Infrared Sensor Actuated Water Valves
- Temperature/Pressure-balancing Mixing Valves
- BBO- Body Bar Actuated Water Valves
- Liquid Soap Dispensers- Knee-activated, Hydraulic
- Mounting Carrier
- Mounting Base
- Swing-down Eye Wash Stations

MODEL NUMBER AND OPTIONS:

1.) Base Model:

EWSSS Economy Surgical Scrub Sink

2.) Number of Stations:

- 1 Single Station
 2 Two Station (with 1 Divider Panel)
 3 Three Station (with 2 Divider Panels)

3.) Temperature Controls:

- TMV Inline Thermostatic Mixing Valves (Standard)
 TPV Temperature/Pressure-balancing Mixing Valves- Above Deck
 PBV Pressure-Balancing Mixing Valves- Above Deck

4.) Water Actuators:

- KA Knee-activated Actuators (Standard)
 BBO Body Bar Actuators
 IR Infrared Sensor Actuators*

* (Req. 110V power through ground fault interrupter (GFCI) receptacle)

5.) Mounting Options:

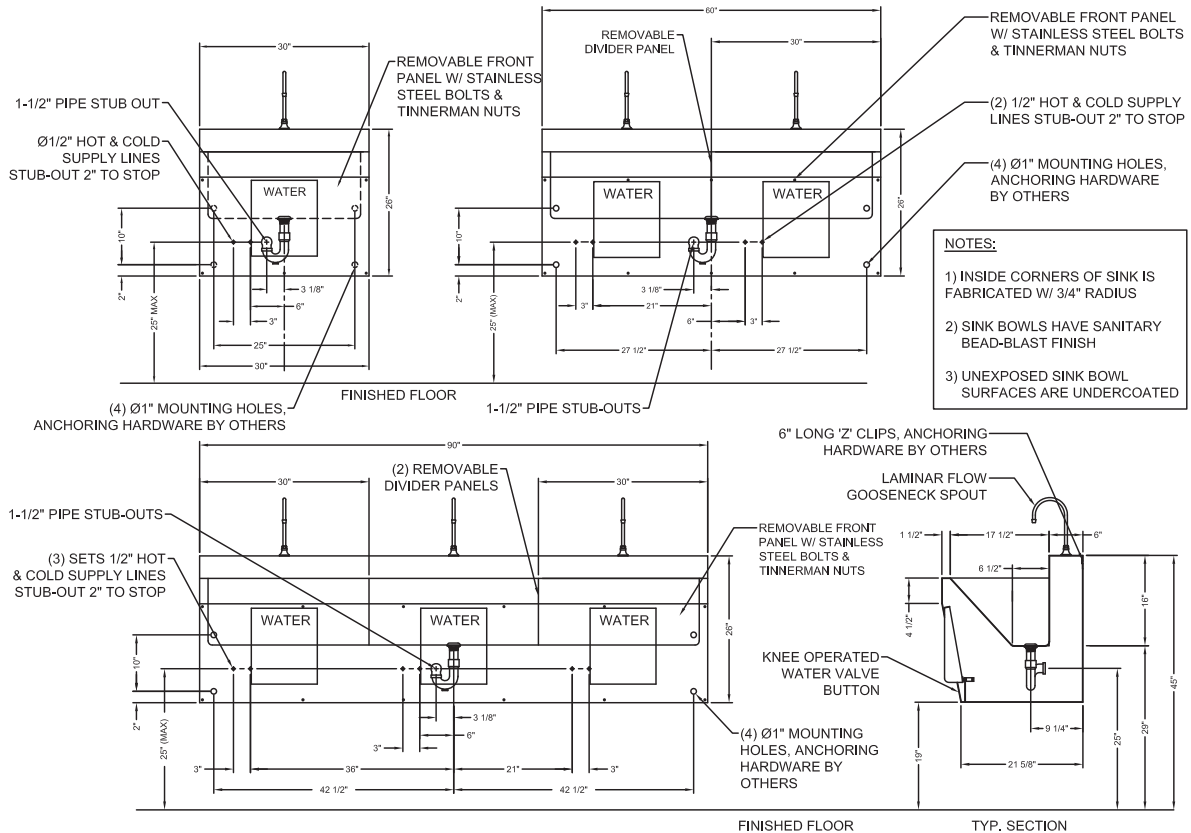
- 'Z' Clips (Wall anchors by others) (Standard)
 MC Mounting Carrier (off-floor installation)
 MB Mounting Base (on-floor installation)

6.) Options:

- LSD Liquid Soap Dispensers (Knee-activated hydraulic)
 SDEW Swing Down Eye Wash (Mixing valve by others)
 Other: _____
 Other: _____

Approved For Manufacturing By: _____ Date: _____ Company: _____
 Wall Thickness: _____ Wall Type: _____

VERIFY ALL DIMENSIONS WITH FACTORY PRIOR TO ROUGH-IN
 WILLOUGHBY RESERVES THE RIGHT TO MAKE CHANGES IN DESIGN AND DIMENSIONS WITHOUT FORMAL NOTICE AND WITHOUT INCURRING OBLIGATION.



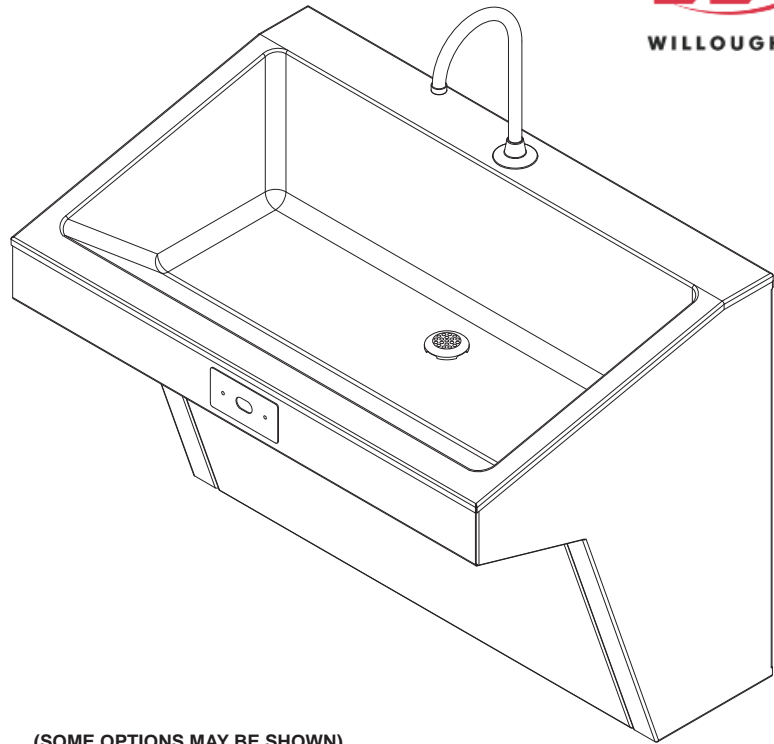
- NOTES:**
- 1) INSIDE CORNERS OF SINK IS FABRICATED W/ 3/4" RADIUS
 - 2) SINK BOWLS HAVE SANITARY BEAD-BLAST FINISH
 - 3) UNEXPOSED SINK BOWL SURFACES ARE UNDERCOATED

visit our website at www.willoughby-ind.com
 5105 West 78th Street • Indianapolis, IN. 46268
 (317) 875-0830 • Fax: (317) 875-0837 • (800) 428-4065



MADE IN THE U.S.A.

WSSS-ADA Series ADA-Compliant Surgical Scrub Sink



(SOME OPTIONS MAY BE SHOWN)

To specify fixture and accessories, use the Model Number and Options page.

Example: To specify a single station ADA-Compliant Surgical Scrub Sink with standard thermostatic mixing valve, standard infrared sensor actuation, and in-wall mounting carrier

Use the following Willoughby Model Number:

WSSS-ADA-1-TMV-IR-MC

Recommended Specifications

ADA-Compliant Surgical Scrub Sink shall be:
Willoughby Model No. **WSSS-ADA**
(Select from model number and options list on next page)

Fixture shall be fabricated from 16 GA, Type 304 stainless steel. The construction shall be welded with exposed exterior stainless steel surfaces polished to a #4 satin finish. Bowl shall have a bead-blast finish.

Standard equipment shall include:

- Infrared sensor actuated water valves
- Gooseneck faucets with laminar flow nozzles
- Inline thermostatic mixing valves
- Machined stainless steel drain with tailpiece
- 1-1/2" F.I.P. slip joint, cast brass union 'P' trap

Anchoring shall be from the front with 'Z' clip and wall anchoring hardware (by others); a wall mounting carrier or mounting base is available as optional equipment. Unit requires no chase area for installation and maintenance. Two- and Three-stations shall include divider panels.

Units are provided with front panels which are easily removed for access to valves and waste connections.

Optional Features:

- Mounting Carrier

visit our website at www.willoughby-ind.com

5105 West 78th Street • Indianapolis, IN. 46268

(317) 875-0830 • Fax: (317) 875-0837 • (800) 428-4065



MADE IN THE U.S.A.

MODEL NUMBER AND OPTIONS:

1.) Base Model:

WSSS-ADA ADA-Compliant Surgical Scrub Sink

2.) Number of Stations:

- 1 Single Station
- 2 Two Station (with 1 Divider Panel)
- 3 Three Station (with 2 Divider Panels)

3.) Temperature Controls:

TMV Inline Thermostatic Mixing Valves (Standard)

4.) Water Actuators:

IR Infrared Sensor Actuators (Standard)*
 *(Req. 110V power through ground fault interrupter (GFCI) receptacle)

5.) Mounting Options:

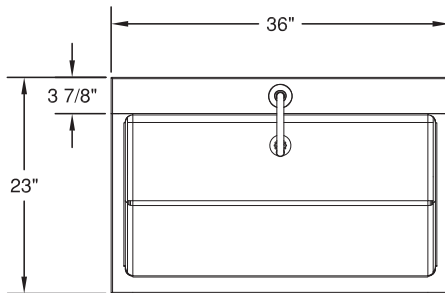
- 'Z' Clips (Wall anchors by others) (Standard)
- MC Mounting Carrier (off-floor installation)

6.) Options:

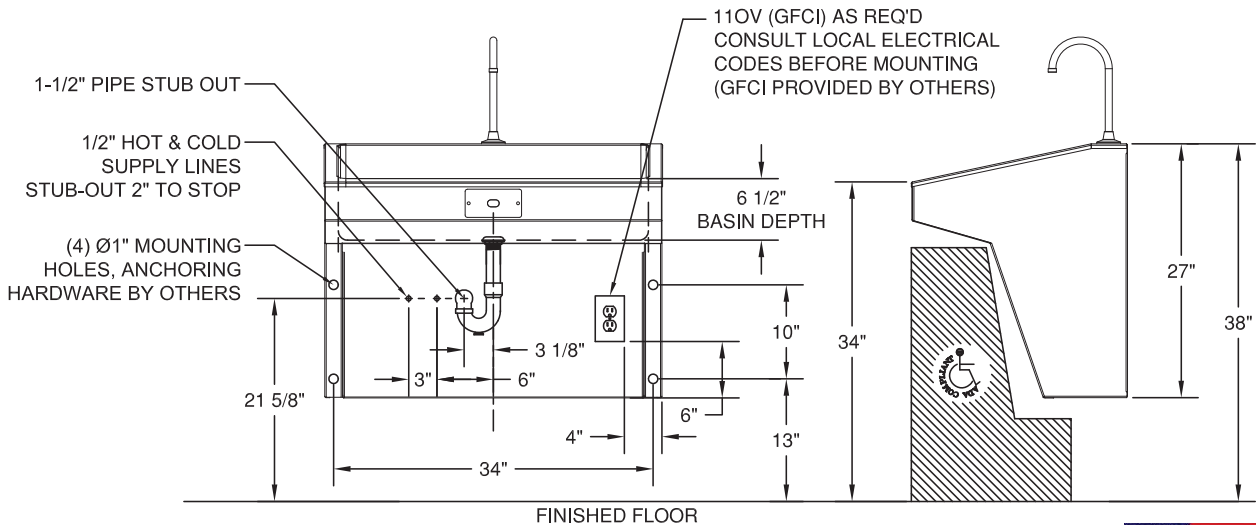
- Other: _____
- Other: _____

Approved For Manufacturing By: _____ Date: _____ Company: _____
 Wall Thickness: _____ Wall Type: _____

VERIFY ALL DIMENSIONS WITH FACTORY PRIOR TO ROUGH-IN
 WILLOUGHBY RESERVES THE RIGHT TO MAKE CHANGES IN DESIGN AND DIMENSIONS WITHOUT FORMAL NOTICE AND WITHOUT INCURRING OBLIGATION.



 IN COMPLIANCE WITH A.D.A. 2010



visit our website at www.willoughby-ind.com

5105 West 78th Street • Indianapolis, IN. 46268

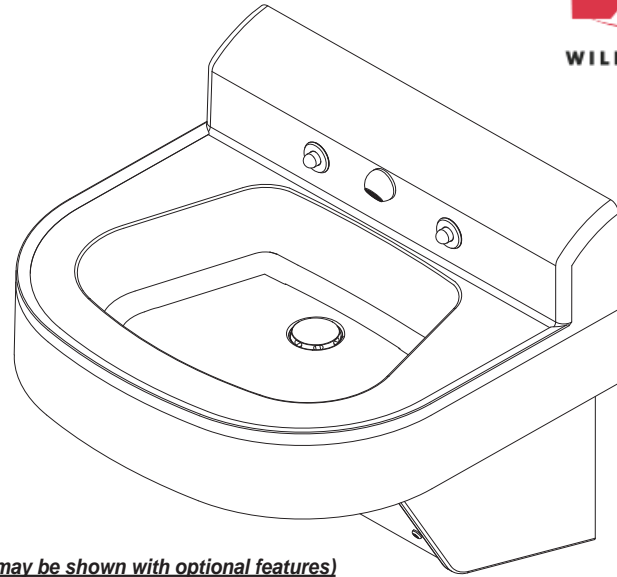
(317) 875-0830 • Fax: (317) 875-0837 • (800) 428-4065



MADE IN THE U.S.A.



WBL-2320 Ligature-resistant Solid Surface Behavioral Healthcare Lavatory



(Unit may be shown with optional features)



To specify fixture and accessories, use the Model Number and Options page.
Example: To specify a single station Ligature-resistant, Solid Surface, Behavioral Healthcare Lavatory with dual temp. ligature-resistant electronic push buttons, in Sandstone color with Sanshade side panels
Use the following Willoughby Model Number:
WBL-2320-EPBH2-SS-SN

Recommended Specifications

Ligature-resistant, Solid Surface, Behavioral Healthcare Lavatory shall be: Willoughby Model No. **WBL-2320**
(Select from model number and options list on next page)

Wall-hung fixture shall accommodate one user and is designed to minimize ligature points. The lavatory bowl with integral sloped backsplash is constructed of Aquasurf® molded cast polymer densified solid surface material composed of polyester/acrylic resin, UV stabilizer, aluminum trihydrate and mineral fillers. Lavatory bowl shall be rounded to minimize its use as a ligature point.

The pre-assembled lavatory sprayhead shall be machined of stainless steel and shall be controlled by a push button or infrared sensor. Lavatory sprayhead shall provide non-aerated water stream. Exposed stainless steel surfaces shall be polished to a #4 satin finish and shall be fully-rounded to minimize use as a ligature point. Push button shall be machined of stainless steel and shall be fully rounded to minimize use as a ligature point. Flow restrictor shall maintain flow rates at 0.5 GPM.

WBL-2320 Lavatory shall be supplied with drain tailpiece, integral checkstops, drain spuds, flexible supply hoses, control valves, Class II 120/24 VAC plug-in transformers*. Fixtures with factory valves shall be furnished with thermostatic mixing valve. Operating supply water pressure range is 30-75 psi.

Pedestal shall be welded stainless steel with solid polymer side panels to correspond to solid surface lavatory bowl. Trap cover shall be one piece formed stainless steel and attached with stainless steel security screws.

Vandal Resistance/Safety Features:

The sprayhead, push buttons, infrared sensor, drain and escutcheon are non-removable and are designed to minimize ligature points. Valve, water supplies and waste connection are concealed within trap enclosure. All exposed fasteners shall be vandal-resistant security type screws. The Aquasurf® solid surface material is resistant to stains, impact and burns. Surface damage can be easily repaired with everyday cleansers and/or fine grit abrasives.

ADA, TAS, UFAS, and ANSI Compliant:

When the lavatory is mounted at the standard adult rim height it is designed to comply with all applicable ADA, TAS, UFAS, and ANSI Z124.3 and Z124.6 accessibility guidelines.

Mounting:

The lavatory may be surface-mounted as supplied or supported by in-wall carriers supplied by others. Surface-mounted bracket also includes a locking device and leveling screws. Proper backing for surface-mounted lavatory provided by others.

Optional Features:

* *Note:* Plug-in transformer must be used with a ground fault interrupter (GFCI) receptacle to prevent possible electrical shock. (Not required on pneumatic valves)

visit our website at www.willoughby-ind.com
5105 West 78th Street • Indianapolis, IN. 46268
(317) 875-0830 • Fax: (317) 875-0837 • (800) 428-4065



MADE IN THE U.S.A.

MODEL NUMBER AND OPTIONS:

1.) Base Model Number:

- WBL-2320 Single Station Ligature-resistant, Solid Surface Behavioral Healthcare Lavatory

2.) Valve Actuation:

- PBH1 Ligature-resistant Push Button for Single Temperature Pneumatic Metering
- PBH2 Ligature-resistant Push Buttons for Dual Temperature Pneumatic Metering
- EPBH1 Ligature-resistant Electronic Push Button for Single Temperature Electronic (w/ Pneumatic Control)*
- EPBH2 Ligature-resistant Electronic Push Buttons for Dual Temperature Electronic (w/ Pneumatic Control)*
- IR Infrared Sensor, Hard-wired*
- BO Infrared Sensor, Battery Operated

4.) Solid Polymer Side Panel Colors:

- SN Sansshade (Almond)
- SM Sea Foam
- WW White/White

5.) Options:

- TL Less In-line Thermostatic Mixing Valve
- Other _____
- Other _____

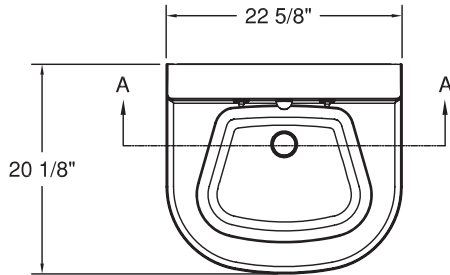
*(Req. 110V power through ground fault interrupter (GFCI) receptacle)

** Piezo Electronic Push Button valve actuation not available on WBL-2320

3.) Solid Surface Lav. Deck Colors:

- BN Bone
- GW Glacier White
- GG Gray Granite
- SS Sandstone
- WG White Granite
- BG Black Granite
- NB Nocturnal Blue
- RC Red Coral
- SG Sea Green

Approved For Manufacturing By: _____ Date: _____ Company: _____
 Wall Thickness: _____ Wall Type: _____

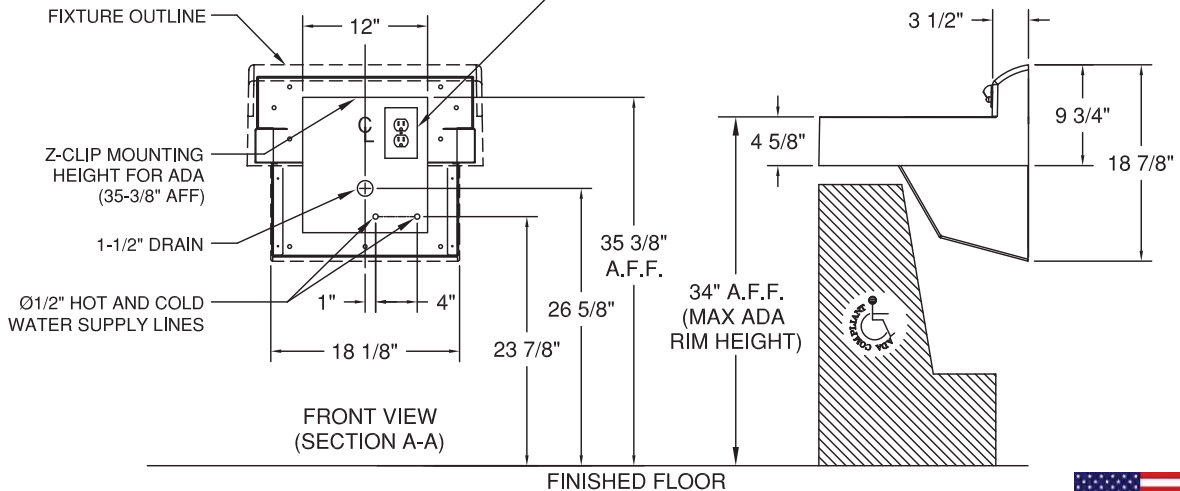


 **IN COMPLIANCE WITH A.D.A. 2010**

NOTE: ADEQUATE WALL BACKING REQ'D (BACKING SUPPLIED BY OTHERS)

FOR INFRARED UNITS ONLY:
 110 V GFCI REQ'D. (GFCI PROVIDED BY OTHERS)
 CONSULT LOCAL ELECTRICAL CODES.
 PROVIDE 1" SPACE BETWEEN PERIMETER OF RECEPTACLE AND FIXTURE BRACKET

VERIFY ALL DIMENSIONS WITH FACTORY PRIOR TO ROUGH-IN
 WILLOUGHBY RESERVES THE RIGHT TO MAKE CHANGES IN DESIGN AND DIMENSIONS WITHOUT FORMAL NOTICE AND WITHOUT INCURRING OBLIGATION.



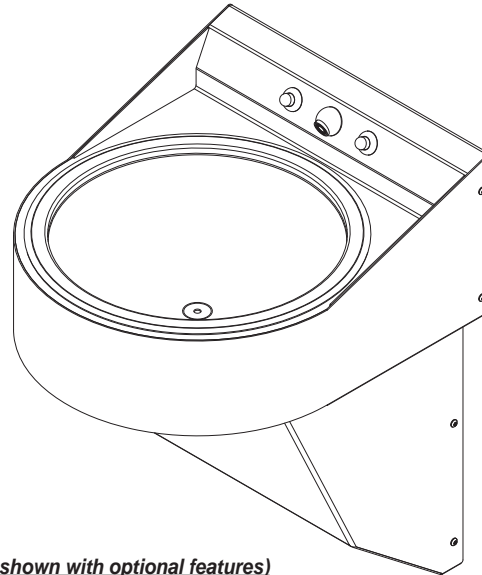
visit our website at www.willoughby-ind.com
 5105 West 78th Street • Indianapolis, IN. 46268
 (317) 875-0830 • Fax: (317) 875-0837 • (800) 428-4065



MADE IN THE U.S.A.



ASWLDR-1922 Ligature-resistant Stainless Steel Behavioral Healthcare Lavatory



(Unit may be shown with optional features)



To specify fixture and accessories, use the Model Number and Options page.
Example: To specify a single station Ligature-resistant, Stainless Steel, Behavioral Healthcare Lavatory with dual temp. ligature-resistant pneumatic push buttons, and stainless steel lavatory basin
Use the following Willoughby Model Number:
ASWLDR-1922-PBH2-SSB

Recommended Specifications

Ligature-resistant, Stainless Steel, Behavioral Healthcare Lavatory shall be: Willoughby Model No. **ASWLDR-1922** (Select from model number and options list on next page)

Wall-hung fixture shall accommodate one user and is designed to minimize ligature points. The lavatory will have rounded integral sloped backsplash and rounded integral ligature-resistant side splashes. Fixture shall be fabricated from 14 gauge, type 304 stainless steel. The construction shall be welded with removable trap enclosure. Fixture exterior, including deck, basin, and trap enclosure, shall have an antimicrobial gloss white powder coat enamel finish**. A bare stainless steel lavatory basin with polished satin finish is optional.

The pre-assembled lavatory sprayhead shall be machined of stainless steel and shall be controlled by a push button or infrared sensor. Lavatory sprayhead shall provide non-aerated water stream. Push button shall be machined of stainless steel, shall require less than 5 lbs. of force to activate, and shall be fully rounded to minimize use as a ligature point. Flow restrictor shall maintain flow rates at 0.5 GPM.

ASWLDR-1922 Lavatory shall be supplied with drain tail-piece, integral checkstops, flexible supply hoses, control valves, Class II 120/24 VAC plug-in transformers*. Fixtures with factory valves shall be furnished with thermostatic mixing valve. Operating supply water pressure range is 30-75 psi.

Vandal Resistance/Safety Features:

The sprayhead, push buttons, infrared sensor, slow drain and escutcheon are non-removable and are designed to minimize ligature points. Valve, water supplies and waste connection are concealed within trap enclosure. All exposed fasteners shall be vandal-resistant security type screws.

ADA, TAS, UFAS, and ANSI Compliant:

When the lavatory is mounted at the standard adult rim height it is designed to comply with all applicable ADA, TAS, UFAS, and ANSI Z124.3 and Z124.6 accessibility guidelines.

Mounting:

The lavatory may be surface-mounted as supplied or supported by in-wall plate carriers supplied by others. Proper backing and anchoring hardware for mounting of lavatory provided by others.

Optional Features:

* *Note:* Plug-in transformer must be used with a ground fault interrupter (GFCI) receptacle to prevent possible electrical shock. (Not required on PML valves)

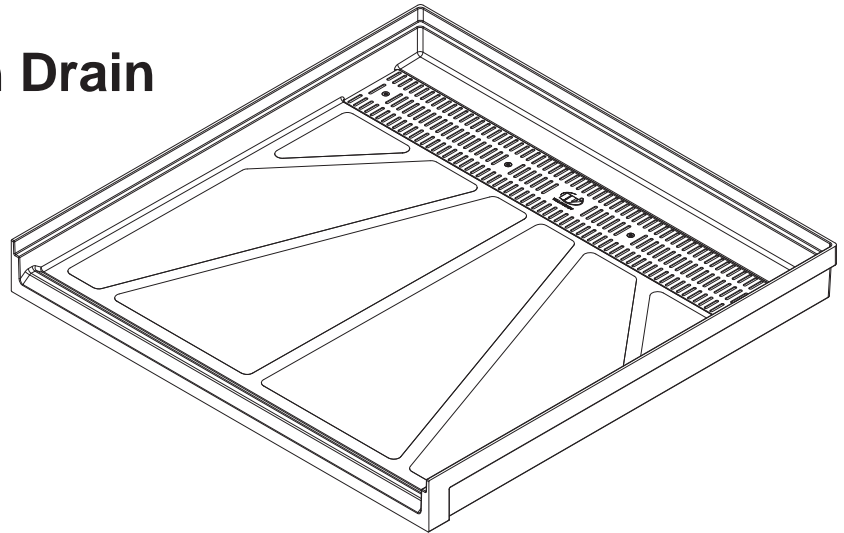
***Antimicrobial properties are built-in to inhibit the growth of bacteria that may affect this product. The antimicrobial properties do not protect users or others against bacteria, viruses, germs, or other disease organisms. Always use good hygienic cleaning practices.*

visit our website at www.willoughby-ind.com
5105 West 78th Street • Indianapolis, IN. 46268
(317) 875-0830 • Fax: (317) 875-0837 • (800) 428-4065



MADE IN THE U.S.A.

AS-S3636ADA Aquasurf® Solid Surface 36x36 ADA-Compliant Transfer Shower Base w/ Integral Rear Trench Drain



Recommended Specifications

Aquasurf® Solid Surface, 36x36, ADA-Compliant, Transfer Shower Base with Integral Rear Trench Drain shall be:
Willoughby Model No. **AS-S3636ADA**
(Select from model number and options list on next page)

Aquasurf® solid surface shower bases are designed for single- and multiple-applications. The shower base shall be a monolithic component cast from Aquasurf® polymer materials, composed of fully densified aluminum trihydrate mineral fillers, homogeneously blended in an engineered, UV stabilized, acrylic modified polyester resin.

ADA accessibility shall incorporate a rear drain with integrally sloped trench, allowing for unobtrusive and complete draining of the shower area. The rear drain is available in Left, Center, and Right configurations to best suit individual installations.
(Consult local code requirements for ADA design integration.)

The shower base shall have integrally molded support bracing on bottom; negative sloped non-slip textured interior floor; integral perimeter flanges, threshold, and curb; and 2" no-hub drain connection.

To specify fixture and accessories, use the Model Number and Options page.
Example: To specify an Aquasurf® Solid Surface, 36x36, ADA-Compliant, Transfer Shower Base with Integral Rear Trench Drain with Center drain in Grey Granite
Use the following Willoughby Model Number:
AS-S3636ADA-C-GG

Durability and Biological Resistance:

Aquasurf® Solid Surface Products Shower Bases offer high impact, chip, scratch and burn resistance. Topical surface damages can easily be repaired with minor abrasive applications (3M #7448 Scotch-Brite™). The viral, bacteriological, chemical, mildew, and mold resistance provides a sanitary, easily cleaned, durable, low maintenance component.

Optional Features:

Aquasurf® Solid Surface Products wall panel kit is an available option. Wall panel kits come with color-matched overlay battens, coved corners, and soap/shampoo assemblies, providing all components required for a complete shower area enclosure (refer to Model Number and Options sheet for option designation).

MODEL NUMBER AND OPTIONS:

1.) Base Type:

- AS-S3636ADA Aquasurf® Solid Surface, 36x36, ADA-Compliant, Transfer Shower Base with Integral Rear Trench Drain

4.) Commercial Wall Kit Option (1/4" Panels):

- ASK-S363684 (3) 36" x 84" Panels
 (AS-IS-CV8) Inside Corner Cove Overlay

2.) Drain Position (See Drawing Below):

- L Left Drain
 C Center Drain
 R Right Drain

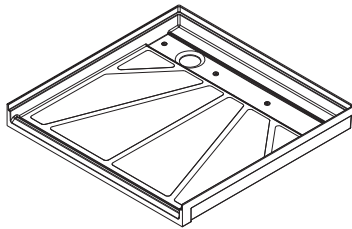
5.) Accessories:

- AS-SSH Soap/Shampoo Holder

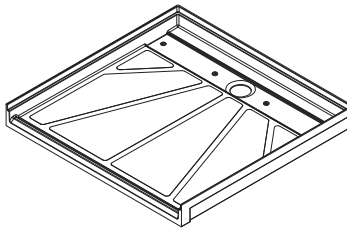
3.) Solid Surface Colors:

- BN Bone
 GW Glacier White
 GG Grey Granite
 SS Sandstone
 WG White Granite
 BG Black Granite
 NB Nocturnal Blue
 RC Red Coral
 SG Sea Green

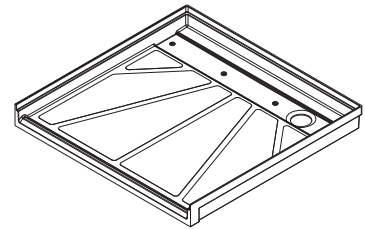
Approved For Manufacturing By: _____ Date: _____ Company: _____



AS-S3636ADA-L (LEFT DRAIN)

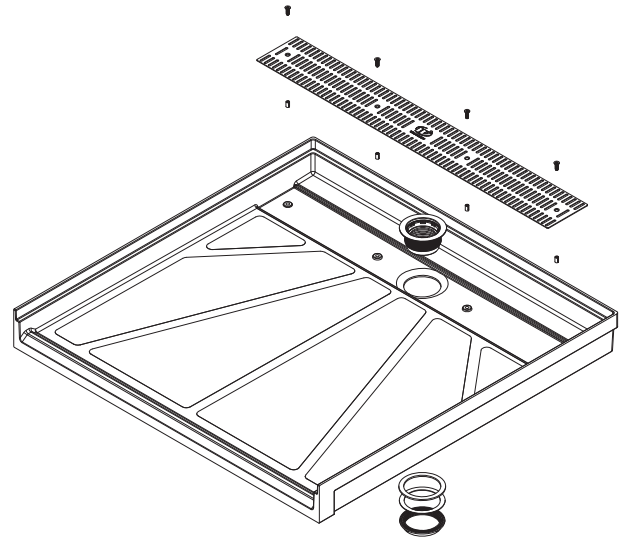
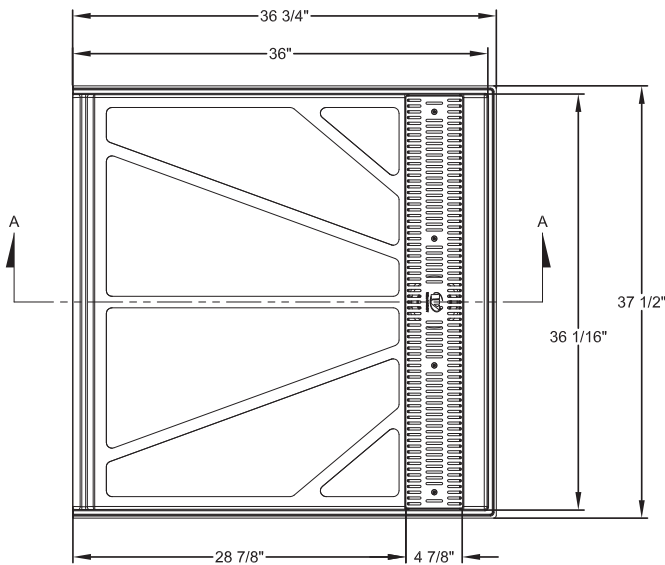
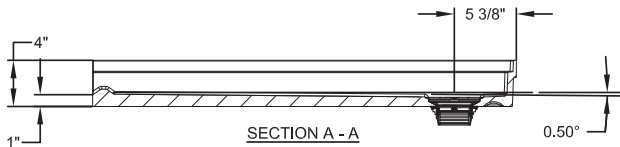


AS-S3636ADA-C (CENTER DRAIN)



AS-S3636ADA-R (RIGHT DRAIN)

VERIFY ALL DIMENSIONS WITH FACTORY PRIOR TO ROUGH-IN
 WILLOUGHBY RESERVES THE RIGHT TO MAKE CHANGES IN DESIGN AND DIMENSIONS WITHOUT FORMAL NOTICE AND WITHOUT INCURRING OBLIGATION.



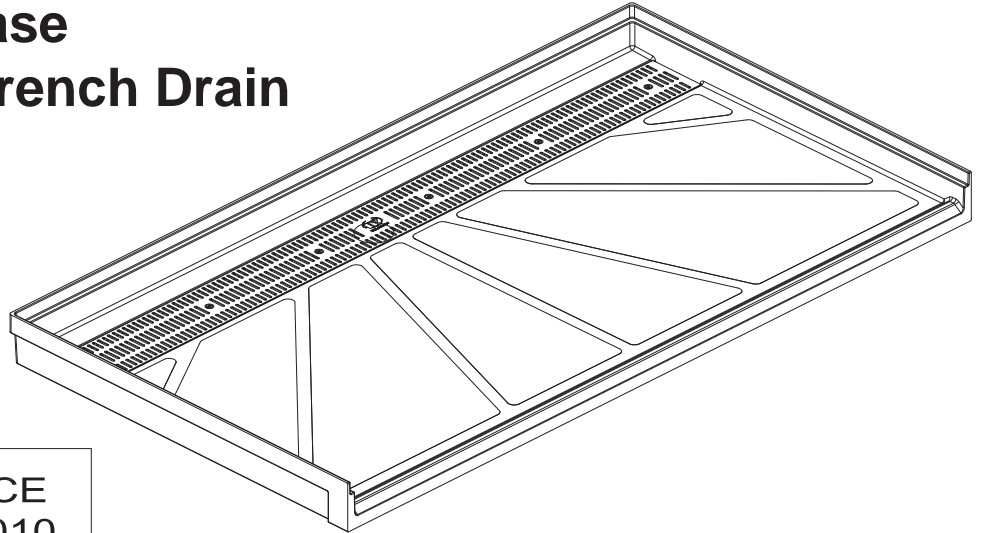
EXPLODED VIEW

visit our website at www.willoughby-ind.com
 5105 West 78th Street • Indianapolis, IN. 46268
 (317) 875-0830 • Fax: (317) 875-0837 • (800) 428-4065



MADE IN THE U.S.A.

AS-S3060ADA Aquasurf® Solid Surface 30x60 ADA-Compliant Roll-in Shower Base w/ Integral Rear Trench Drain



To specify fixture and accessories, use the Model Number and Options page.
Example: To specify an Aquasurf® Solid Surface, 30x60 ADA-Compliant, Roll-in Shower Base with Integral Rear Trench Drain with Center drain in Sea Green
Use the following Willoughby Model Number:
AS-S3060ADA-C-SG

Recommended Specifications

Aquasurf® Solid Surface, 30x60, ADA-Compliant, Roll-in Shower Base with Integral Rear Trench Drain shall be:

Willoughby Model No. **AS-S3060ADA**

(Select from model number and options list on next page)

Aquasurf® solid surface shower bases are designed for single- and multiple-applications. The shower base shall be a monolithic component cast from Aquasurf® polymer materials, composed of fully densified aluminum trihydrate mineral fillers, homogeneously blended in an engineered, UV stabilized, acrylic modified polyester resin.

ADA accessibility shall incorporate a rear drain with integrally sloped trench, allowing for unobtrusive and complete draining of the shower area. The rear drain is available in Left, Center, and Right configurations to best suit individual installations.
(Consult local code requirements for ADA design integration.)

The shower base shall have integrally molded support bracing on bottom; negative sloped non-slip textured interior floor; integral perimeter flanges, threshold, and curb; and 2" no-hub drain connection. The full-width drain grate will securely cover the drain trench while allowing water to effectively drain from anywhere in the shower (drain grate secured to base w/ (6) security screws).

Durability and Biological Resistance:

Aquasurf® Solid Surface Products Shower Bases offer high impact, chip, scratch and burn resistance. Topical surface damages can easily be repaired with minor abrasive applications (3M #7448 Scotch-Brite™). The viral, bacteriological, chemical, mildew, and mold resistance provides a sanitary, easily cleaned, durable, low maintenance component.

Optional Features:

Aquasurf® Solid Surface Products wall panel kit is an available option. Wall panel kits come with color-matched overlay battens, coved corners, and soap/shampoo assemblies, providing all components required for a complete shower area enclosure (refer to Model Number and Options sheet for option designation).

visit our website at www.willoughby-ind.com
5105 West 78th Street • Indianapolis, IN. 46268
(317) 875-0830 • Fax: (317) 875-0837 • (800) 428-4065



MADE IN THE U.S.A.

MODEL NUMBER AND OPTIONS:

1.) Base Type:

- AS-S3060ADA Aquasurf® Solid Surface, 30x60, ADA-Compliant, Roll-in Shower Base with Integral Rear Trench Drain

4.) Commercial Wall Kit Option (1/4" Panels):

- ASK-S603684 (2) 36" x 84" Panels
 (2) 29-1/2" x 84" Panels
 (1) 3" x 84" Overlay
 (2) (AS-IS-CV8) Inside Corner Cove Overlay

2.) Drain Position (See Drawing Below):

- L Left Drain
 C Center Drain
 R Right Drain

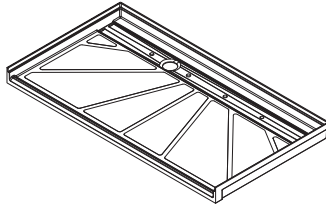
5.) Accessories:

- AS-SSH Soap/Shampoo Holder

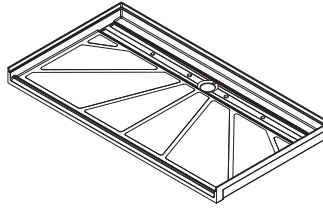
3.) Solid Surface Colors:

- BN Bone
 GW Glacier White
 GG Grey Granite
 SS Sandstone
 WG White Granite
 BG Black Granite
 NB Nocturnal Blue
 RC Red Coral
 SG Sea Green

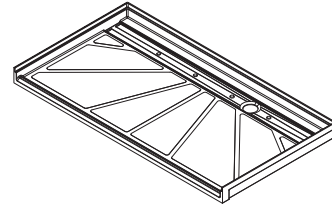
Approved For Manufacturing By: _____ Date: _____ Company: _____



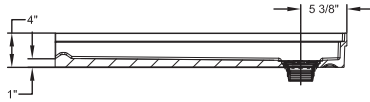
AS-S3060ADA-L (LEFT DRAIN)



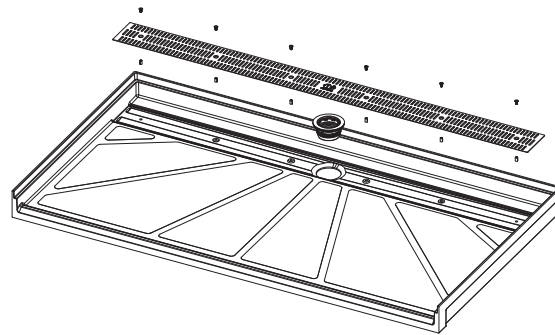
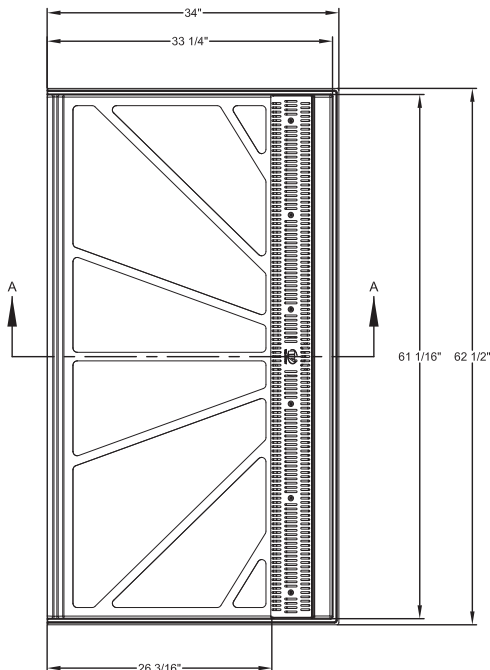
AS-S3060ADA-C (CENTER DRAIN)



AS-S3060ADA-R (RIGHT DRAIN)



SECTION A-A



EXPLODED VIEW

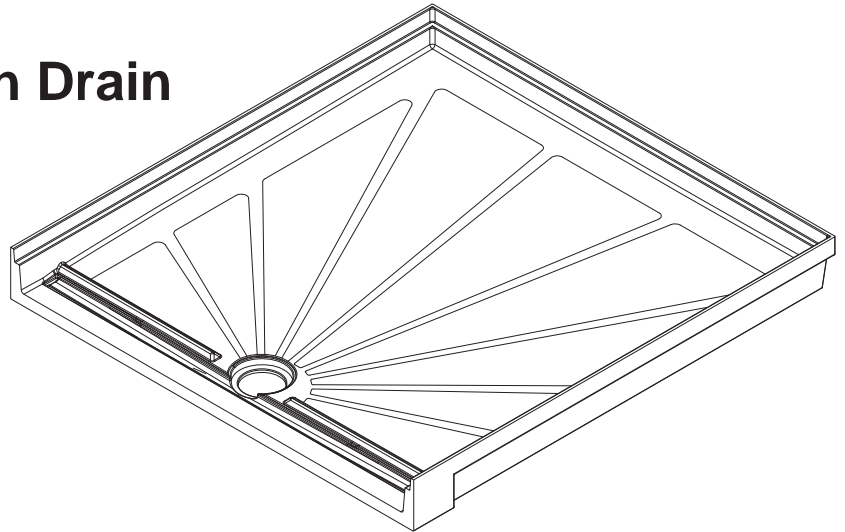
VERIFY ALL DIMENSIONS WITH FACTORY PRIOR TO ROUGH-IN
 WILLOUGHBY RESERVES THE RIGHT TO MAKE CHANGES IN DESIGN AND DIMENSIONS WITHOUT FORMAL NOTICE AND WITHOUT INCURRING OBLIGATION.

visit our website at www.willoughby-ind.com
 5105 West 78th Street • Indianapolis, IN. 46268
 (317) 875-0830 • Fax: (317) 875-0837 • (800) 428-4065



MADE IN THE U.S.A.

AS-S3840FA Aquasurf® Solid Surface 36x36 ADA-Compliant Transfer Shower Base w/ Integral Front Trench Drain



To specify fixture and accessories, use the Model Number and Options page.

Example: To specify an Aquasurf® Solid Surface, 36x36, ADA-Compliant, Transfer Shower Base with Integral Front Trench Drain in glacier white

Use the following Willoughby Model Number:
AS-S3840FA-GW

Recommended Specifications

Aquasurf® Solid Surface, 36x36, ADA-Compliant, Transfer Shower Base with Integral Front Trench Drain shall be:
Willoughby Model No. **AS-S3840FA**
(Select from model number and options list on next page)

Aquasurf® Solid Surface Products Shower Bases are designed for single and multiple applications. The Shower Base shall be a monolithic cast component of Aquasurf® Solid Surface Products polymer materials, composed of fully densified aluminum trihydrate mineral fillers, homogeneously blended in an engineered, UV stabilized, acrylic modified polyester resin.

Shower Base shall have integrally molded support bracing on bottom, positive sloped non-slip textured interior floor and integral perimeter flange. Aquasurf® Solid Surface Products Shower Base shall incorporate integral threshold, curb and 2" no-hub drain connection.

ADA Accessibility (consult local code requirements for design integration) shall incorporate a front forward drain with integrally sloped trench, allowing for drainage of shower curtain run-off. The integral front transition strip shall provide room floor drainage toward trench and shower access ramping.

Durability and Biological Resistance:

Aquasurf® Solid Surface Products Shower Bases offer high impact, chip, scratch and burn resistance. Topical surface damages can easily be repaired with minor abrasive applications (3M #7448 Scotch-Brite™). The viral, bacteriological, chemical, mildew, and mold resistance provides a sanitary, easily cleaned, durable, low maintenance component.

Optional Features:

Aquasurf® Solid Surface Products wall panel kits with overlay battens, coved corners and soap/shampoo assemblies provide all components required to complete shower area enclosure (refer to selection sheet for unit designation).

visit our website at www.willoughby-ind.com
5105 West 78th Street • Indianapolis, IN. 46268
(317) 875-0830 • Fax: (317) 875-0837 • (800) 428-4065



MADE IN THE U.S.A.

MODEL NUMBER AND OPTIONS:

1.) Base Type:

- AS-S3840FA Aquasurf® Solid Surface, 36x36, ADA-Compliant, Transfer Shower Base with Integral Front Trench Drain

2.) Commercial Wall Kits (1/4" Panels):

- ASK-S363684 (3) 36" x 84" Panels
- (2) (AS-IS-CV8) Inside Corner Cove Overlay

3.) Accessories:

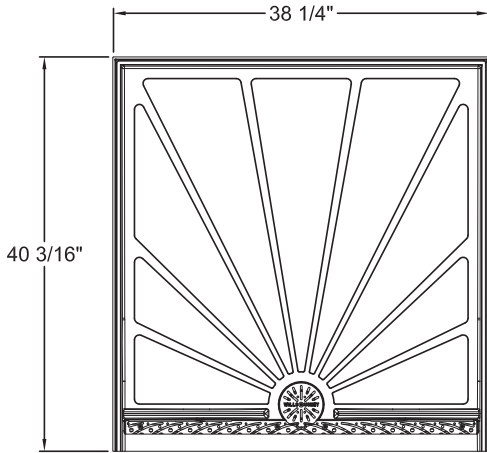
- AS-SSH Soap/Shampoo Holder

4.) Solid Surface Colors:

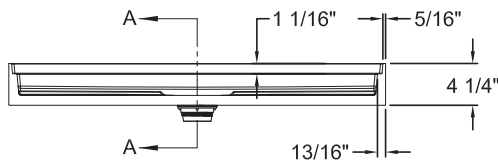
- BN Bone
- GW Glacier White
- GG Grey Granite
- SS Sandstone
- WG White Granite
- BG Black Granite
- NB Nocturnal Blue
- RC Red Coral
- SG Sea Green

Approved For Manufacturing By: _____ Date: _____ Company: _____

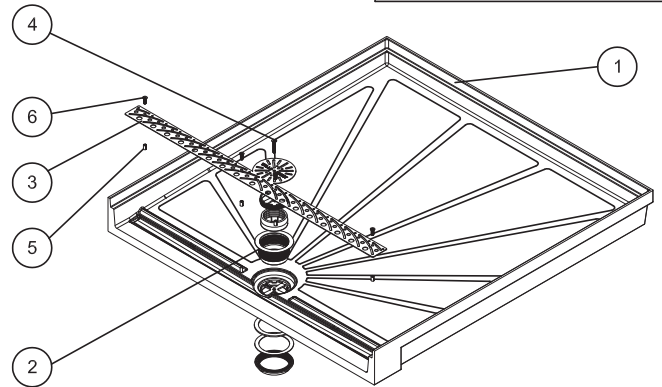
VERIFY ALL DIMENSIONS WITH FACTORY PRIOR TO ROUGH-IN
WILLOUGHBY RESERVES THE RIGHT TO MAKE CHANGES IN DESIGN AND DIMENSIONS WITHOUT FORMAL NOTICE AND WITHOUT INCURRING OBLIGATION.



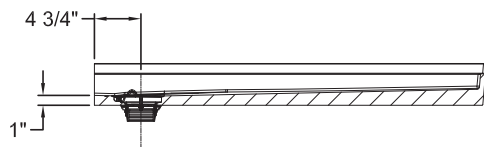
PLAN VIEW



FRONT VIEW



EXPLODED VIEW



SECTION A-A



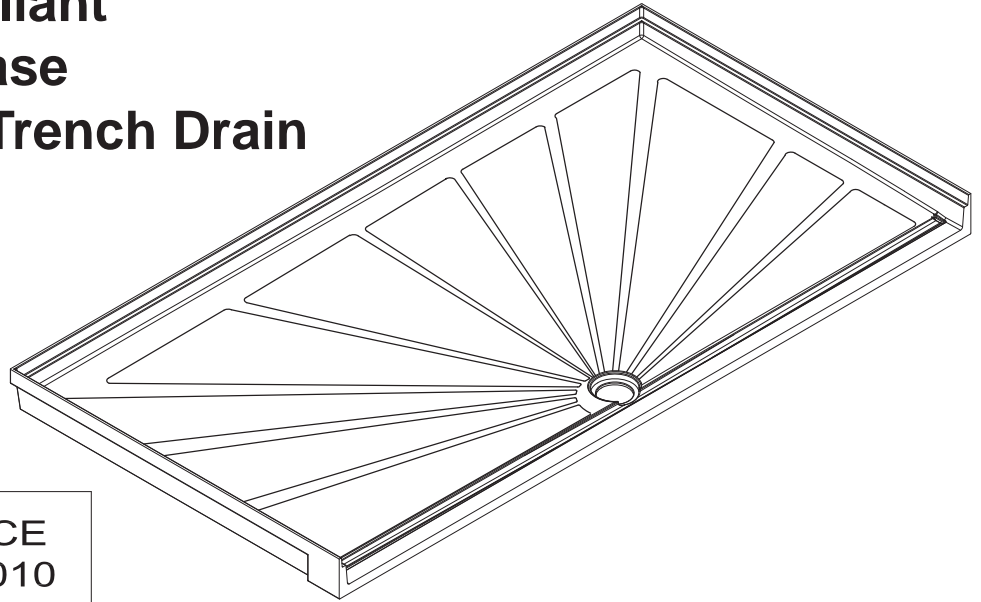
ITEM #	PART #	DESCRIPTION	QTY.
1	AS-S3840FA	AS-S3840FA SHOWER BASE	1
2	900520S	DRAIN ASSEMBLY, W/ MOD. INTERNAL RING	1
3	S005314	TRENCH DRAIN COVER	1
4	800127	1/4-20 X 1-1/2" FH SECURITY SCREW	1
5	991020	INSERT, BRASS, 1/4-20 x 1/2"	4
6	4503SSN	SCREW, 1/4-20 X 3/4" SECURITY SCREW (FH)	4

visit our website at www.willoughby-ind.com
5105 West 78th Street • Indianapolis, IN. 46268
(317) 875-0830 • Fax: (317) 875-0837 • (800) 428-4065



MADE IN THE U.S.A.

AS-S3462FA Aquasurf® Solid Surface 30x60 ADA-Compliant Roll-in Shower Base w/ Integral Front Trench Drain



To specify fixture and accessories, use the Model Number and Options page.

Example: To specify an Aquasurf® Solid Surface, 30x60, ADA-Compliant, Roll-in Shower Base with Integral Front Trench Drain in glacier white

Use the following Willoughby Model Number:
AS-S3462FA-GW

Recommended Specifications

Aquasurf® Solid Surface, 30x60, ADA-Compliant, Roll-in Shower Base with Integral Front Trench Drain shall be:

Willoughby Model No. **AS-S3462FA**

(Select from model number and options list on next page)

Aquasurf® Solid Surface Products Shower Bases are designed for single and multiple applications. The Shower Base shall be a monolithic cast component of Aquasurf® Solid Surface Products polymer materials, composed of fully densified aluminum trihydrate mineral fillers, homogeneously blended in an engineered, UV stabilized, acrylic modified polyester resin.

Shower Base shall have integrally molded support bracing on bottom, positive sloped non-slip textured interior floor and integral perimeter flange. Aquasurf® Solid Surface Products Shower Base shall incorporate integral threshold, curb, and 2" no-hub drain connection.

ADA Accessibility (consult local code requirements for design integration) shall incorporate a front forward drain with integrally sloped trench, allowing for drainage of shower curtain run-off. The integral front transition strip shall provide room floor drainage toward trench and shower access ramping.

Durability and Biological Resistance:

Aquasurf® Solid Surface Products Shower Bases offer high impact, chip, scratch and burn resistance. Topical surface damages can easily be repaired with minor abrasive applications (3M #7448 Scotch-Brite™). The viral, bacteriological, chemical, mildew, and mold resistance provides a sanitary, easily cleaned, durable, low maintenance component.

Optional Features:

Aquasurf® Solid Surface Products wall panel kits with overlay battens, coved corners and soap/shampoo assemblies provide all components required to complete shower area enclosure (refer to selection sheet for unit designation).

visit our website at www.willoughby-ind.com

5105 West 78th Street • Indianapolis, IN. 46268

(317) 875-0830 • Fax: (317) 875-0837 • (800) 428-4065



MADE IN THE U.S.A.

MODEL NUMBER AND OPTIONS:

1.) Base Type:

- AS-S3462FA Aquasurf® Solid Surface, 30x60, ADA-Compliant, Roll-in Shower Base with Integral Front Trench Drain

2.) Commercial Wall Kits (1/4" Panels):

- ASK-S603684 (2) 36" x 84" Panels
(2) 29-1/2" x 84" Panels
(1) 3" x 84" Overlay
(2) (AS-IS-CV8) Inside Corner Cove Overlay

3.) Accessories:

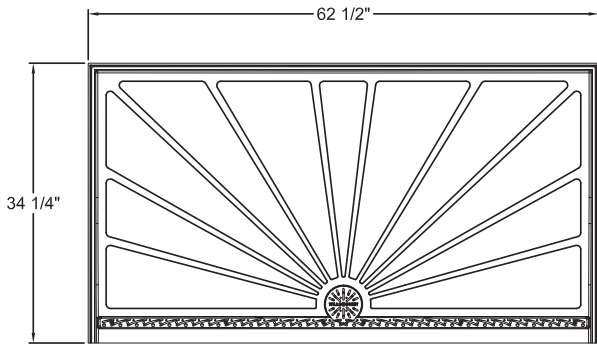
- AS-SSH Soap/Shampoo Holder

4.) Solid Surface Color:

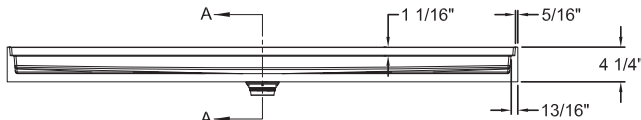
- BN Bone
- GW Glacier White
- GG Grey Granite
- SS Sandstone
- WG White Granite
- BG Black Granite
- NB Nocturnal Blue
- RC Red Coral
- SG Sea Green

Approved For Manufacturing By: _____ Date: _____ Company: _____

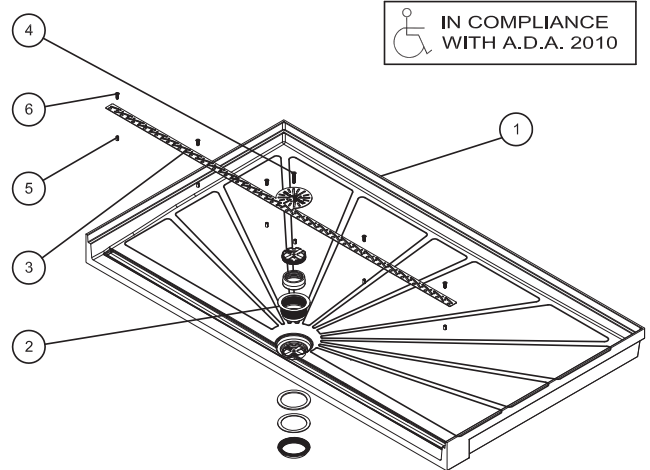
VERIFY ALL DIMENSIONS WITH FACTORY PRIOR TO ROUGH-IN
WILLOUGHBY RESERVES THE RIGHT TO MAKE CHANGES IN DESIGN AND DIMENSIONS WITHOUT FORMAL NOTICE AND WITHOUT INCURRING OBLIGATION.



PLAN VIEW

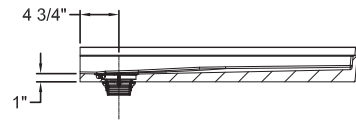


FRONT VIEW



IN COMPLIANCE WITH A.D.A. 2010

EXPLODED VIEW



SECTION A-A

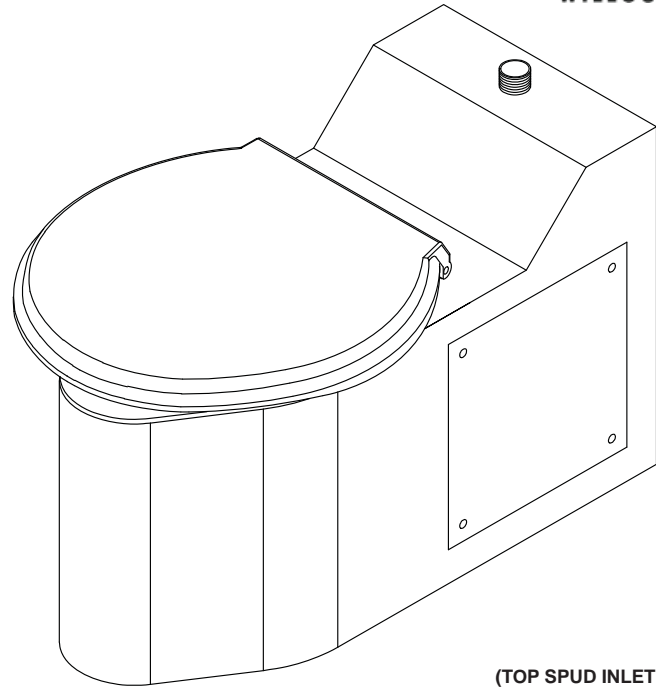
ITEM #	PART #	DESCRIPTION	QTY.
1	AS-S3462FA	AS-S3462FA SHOWER BASE	1
2	900520S	DRAIN ASSEMBLY, W/ MOD. INTERNAL RING	1
3	S005313	TRENCH DRAIN COVER	1
4	800127	1/4-20 X 1-1/2" FH SECURITY SCREW	1
5	991020	INSERT, BRASS, 1/4-20 X 1/2"	6
6	4503SSN	SCREW, 1/4-20 X 3/4" SECURITY SCREW (FH)	6

visit our website at www.willoughby-ind.com
5105 West 78th Street • Indianapolis, IN. 46268
(317) 875-0830 • Fax: (317) 875-0837 • (800) 428-4065



MADE IN THE U.S.A.

BETW-1490-FM-FA Front Access Wall Outlet Blowout Series Bariatric Toilet



(TOP SPUD INLET SHOWN)



To specify fixture and accessories, use the Model Number and Options page.

Example: To specify a Front Access, Wall Outlet, Blowout Series Bariatric Toilet with back spud, flush valve and wall mounted recessed tissue holder

Use the following Willoughby Model Number:

BETW-1490-FM-FA-BS-FV-RTH1

Recommended Specifications

Front Access, Wall Outlet, Blowout Series Bariatric Toilet shall be: Willoughby Model No. **BETW-1490-FM-FA** (Select from model number and options list on next page)

Fixture shall be fabricated from heavy gauge, Type 304 stainless steel. The construction shall be all-welded. Fixture exterior shall have an antimicrobial gloss white powder coat enamel finish*. Toilet bowl interior shall have a sanitary bead-blast stainless steel finish.

Standard toilet shall include: elongated toilet bowl with integral contoured seat, integral crevice-free self-draining flushing rim with positive afterfill and fully enclosed 2-1/2" O.D. trap which shall maintain a minimum 3-1/2" seal and pass a 2-1/8" ball. Toilet shall be siphon jet type which requires 35 psi minimum flushing pressure. Hinged toilet seat shall have open front with cover and be rated for a 1200 pound weight capacity. Toilet seat hinges are stainless steel, seat and cover shall be white in color.

The fixture (less hinged seat) shall withstand loadings up to 2000 pounds with no measurable deflection and loadings up to 5000 pounds with no permanent damage.

Anchoring shall be from the front thru (2) 12" x 12" removable access panels. The fixture is provided with three (3) 7/8" wall carrier mounting holes and one (1) floor mounted 'Z' clip mounting bracket. Wall and floor anchoring hardware is by others. The fixture is floor mounted and is designed to mate with a three (3) bolt blowout carrier.

On back to back fixture installations, do not use standard cross type waste fittings: cross flow may result due to blowout jet action. Use sanitary or offset type waste fittings.

**Antimicrobial properties are built-in to inhibit the growth of bacteria that may affect this product. The antimicrobial properties do not protect users or others against bacteria, viruses, germs, or other disease organisms. Always use good hygienic cleaning practices.*

visit our website at www.willoughby-ind.com
5105 West 78th Street • Indianapolis, IN. 46268
(317) 875-0830 • Fax: (317) 875-0837 • (800) 428-4065



MADE IN THE U.S.A.

MODEL NUMBER AND OPTIONS:

1.) Base Model Number:

BETW-1490-FM-FA Front Access, Wall Outlet, Blowout Series Bariatric Toilet

2.) Inlet Location:

BS Back Spud
 TS Top Spud

3.) Flush Valve GPF's (Must Specify):

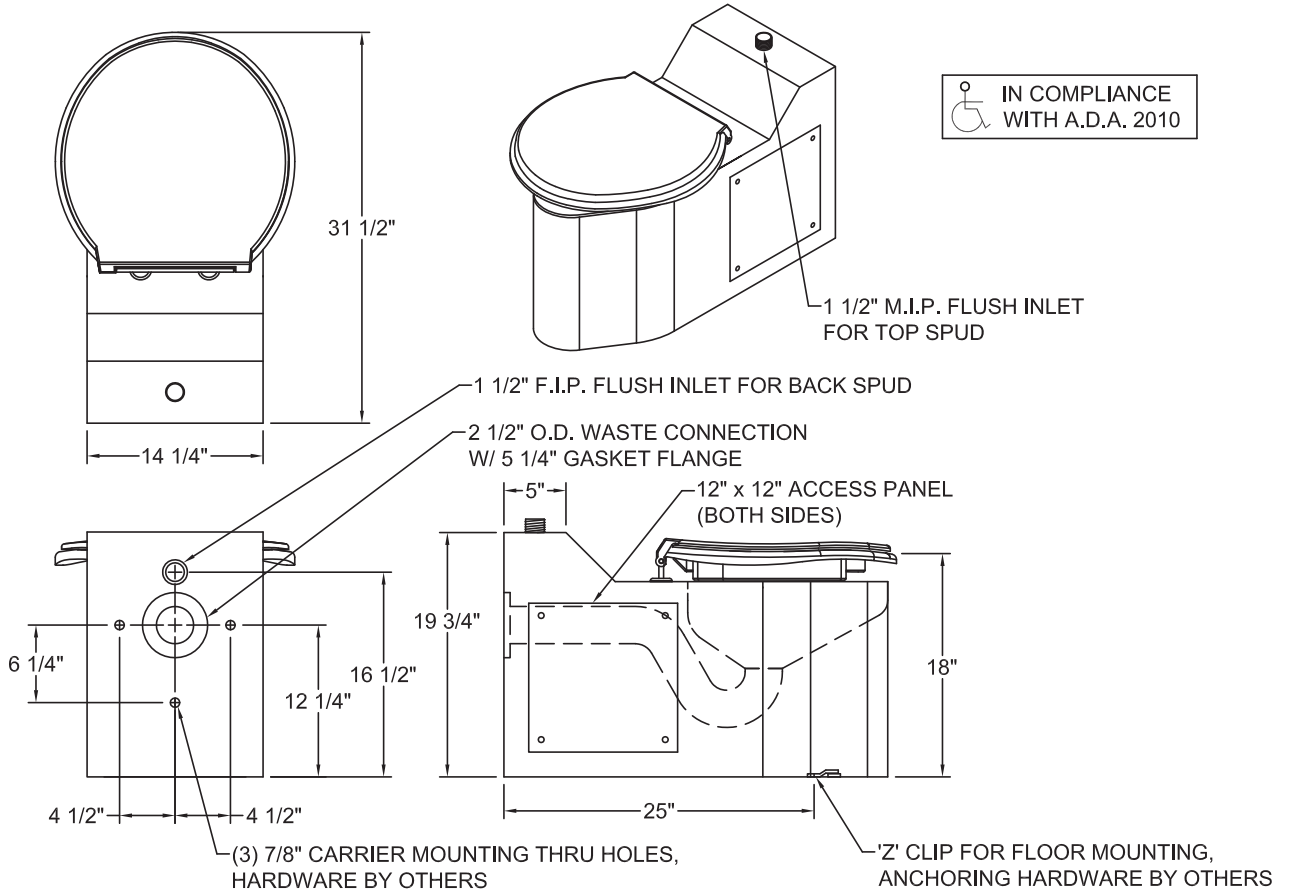
1.28 GPF HET
 1.6 GPF ULF (Standard)
 3.5 GPF (3" Waste Tube Required)

4.) Options:

BL Bedpan Lugs
 SLL Seat Less Lid
 FV Flush Valve
 FVC Flush Valve Cover (Top Spud)
 FVT Flush Valve Connection
 AP Flush Valve Access Panel
 MT Metal Template
 RTH2 Front Access Wall Mounted Recessed Tissue Holder
 Other: _____
 Other: _____

Approved For Manufacturing By: _____ Date: _____ Company: _____
 Wall Thickness: _____ Wall Type: _____

VERIFY ALL DIMENSIONS WITH FACTORY PRIOR TO ROUGH-IN
 WILLOUGHBY RESERVES THE RIGHT TO MAKE CHANGES IN DESIGN AND DIMENSIONS WITHOUT FORMAL NOTICE AND WITHOUT INCURRING OBLIGATION.



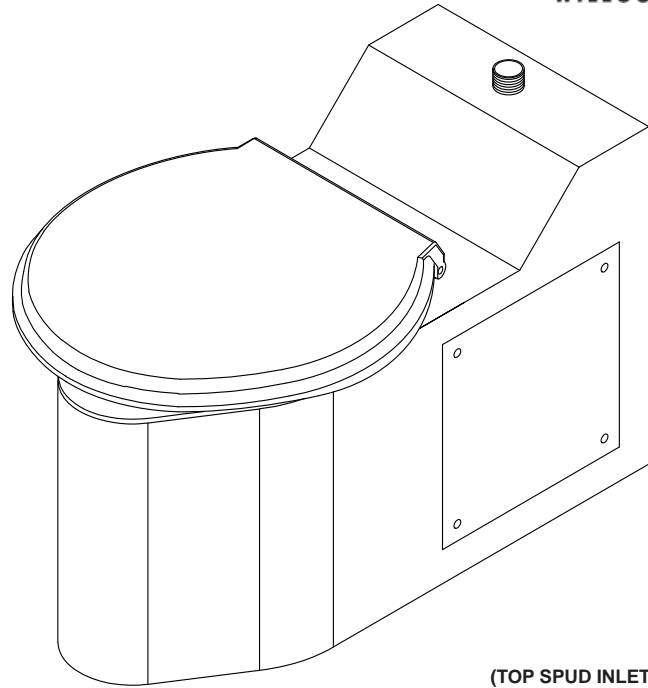
IN COMPLIANCE WITH A.D.A. 2010

visit our website at www.willoughby-ind.com
 5105 West 78th Street • Indianapolis, IN. 46268
 (317) 875-0830 • Fax: (317) 875-0837 • (800) 428-4065



MADE IN THE U.S.A.

BETWS-1490-FM-FA Front Access Wall Outlet Siphon Jet Series Bariatric Toilet



(TOP SPUD INLET SHOWN)



To specify fixture and accessories, use the Model Number and Options page.

Example: To specify a Front Access, Wall Outlet, Siphon Jet Series Bariatric Toilet with back spud, flush valve and wall mounted recessed tissue holder

Use the following Willoughby Model Number:

BETWS-1490-FM-FA-BS-FV-RTH1

Recommended Specifications

Front Access, Wall Outlet, Siphon Jet Series Bariatric Toilet shall be: Willoughby Model No. **BETWS-1490-FM-FA** (Select from model number and options list on next page)

Fixture shall be fabricated from heavy gauge, Type 304 stainless steel. The construction shall be all-welded. Fixture exterior shall have an antimicrobial gloss white powder coat enamel finish*. Toilet bowl interior shall have a sanitary bead-blast stainless steel finish.

Standard toilet shall include: elongated toilet bowl with integral contoured seat, integral crevice-free self-draining flushing rim with positive afterfill and fully enclosed 2-1/2" O.D. trap which shall maintain a minimum 3-1/2" seal and pass a 2-1/8" ball. Toilet shall be siphon jet type which requires 35 psi minimum flushing pressure. Hinged toilet seat shall have open front with cover and be rated for a 1200 pound weight capacity. Toilet seat hinges are stainless steel, seat and cover shall be white in color.

The fixture (less hinged seat) shall withstand loadings up to 2000 pounds with no measurable deflection and loadings up to 5000 pounds with no permanent damage.

Anchoring shall be from the front thru (2) 12" x 12" removable access panels. The fixture is provided with four (4) 7/8" wall carrier mounting holes and one (1) floor mounted 'Z' clip mounting bracket. Wall and floor anchoring hardware is by others. The fixture is floor mounted and is designed to mate with a four (4) bolt siphon-jet carrier.

On back to back fixture installations, do not use standard cross type waste fittings: cross flow may result due to blowout jet action. Use sanitary or offset type waste fittings.

**Antimicrobial properties are built-in to inhibit the growth of bacteria that may affect this product. The antimicrobial properties do not protect users or others against bacteria, viruses, germs, or other disease organisms. Always use good hygienic cleaning practices.*

visit our website at www.willoughby-ind.com
5105 West 78th Street • Indianapolis, IN. 46268
(317) 875-0830 • Fax: (317) 875-0837 • (800) 428-4065



MADE IN THE U.S.A.

MODEL NUMBER AND OPTIONS:

1.) Base Model Number:

BETWS-1490-FM-FA Front Access, Wall Outlet, Siphon Jet Series Bariatric Toilet

2.) Inlet Location:

BS Back Spud
 TS Top Spud

3.) Flush Valve GPF's (Must Specify):

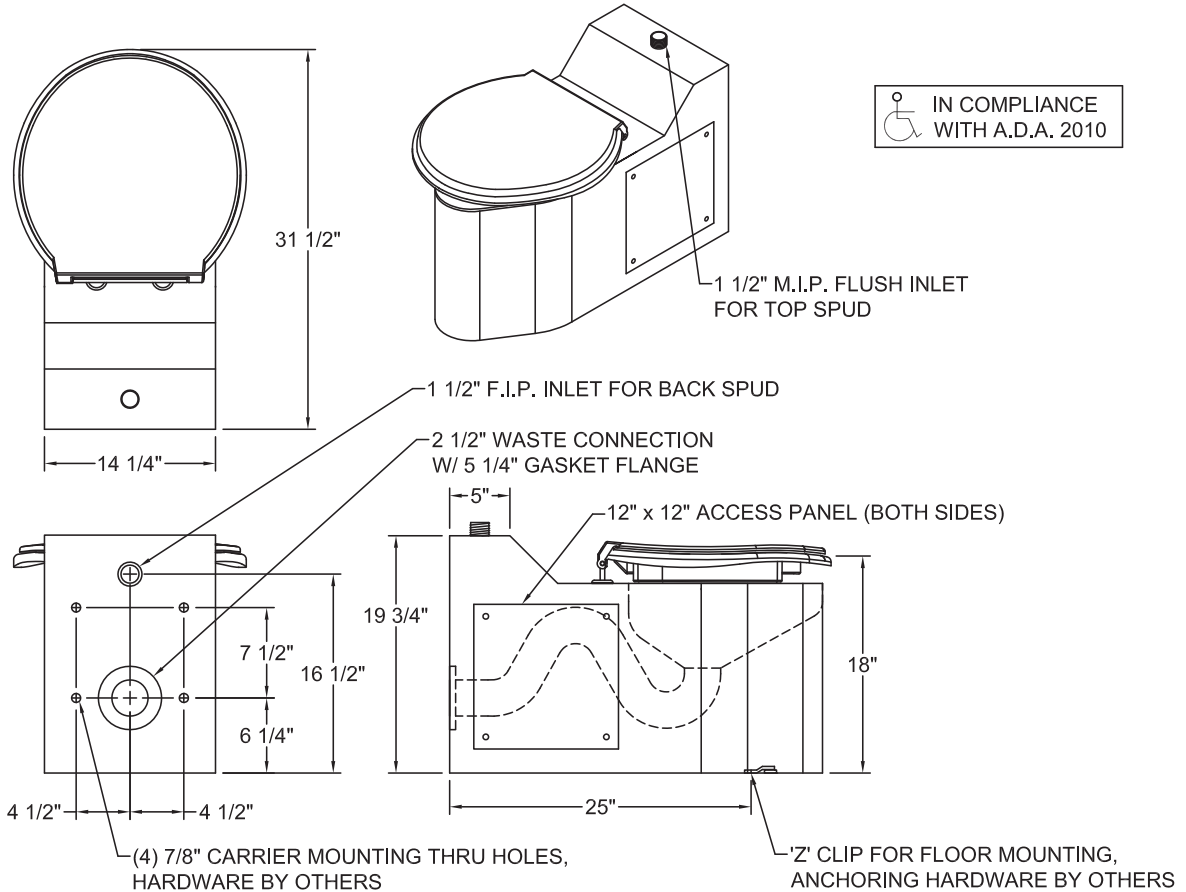
1.28 GPF HET
 1.6 GPF ULF (Standard)
 3.5 GPF (3" Waste Tube Required)

4.) Options:

BL Bedpan Lugs
 SLL Seat Less Lid
 FV Flush Valve
 FVC Flush Valve Cover (Top Spud)
 FVT Flush Valve Connection
 AP Flush Valve Access Panel
 MT Metal Template
 RTH2 Front Access Wall Mounted Recessed Tissue Holder
 Other: _____
 Other: _____

Approved For Manufacturing By: _____ Date: _____ Company: _____
 Wall Thickness: _____ Wall Type: _____

VERIFY ALL DIMENSIONS WITH FACTORY PRIOR TO ROUGH-IN
 WILLOUGHBY RESERVES THE RIGHT TO MAKE CHANGES IN DESIGN AND DIMENSIONS WITHOUT FORMAL NOTICE AND WITHOUT INCURRING OBLIGATION.



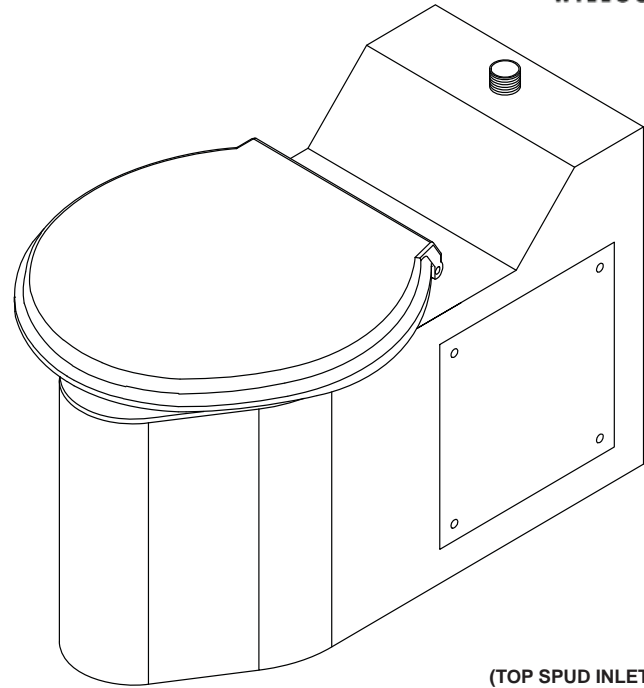
 IN COMPLIANCE WITH A.D.A. 2010

visit our website at www.willoughby-ind.com
 5105 West 78th Street • Indianapolis, IN. 46268
 (317) 875-0830 • Fax: (317) 875-0837 • (800) 428-4065



MADE IN THE U.S.A.

BETF-1490-FM-FA Front Access Floor Outlet Siphon Jet Series Bariatric Toilet



To specify fixture and accessories, use the Model Number and Options page.
Example: To specify a Front Access, Floor Outlet, Siphon Jet Series Bariatric Toilet with back spud, flush valve and wall mounted recessed tissue holder
Use the following Willoughby Model Number:
BETF-1490-FM-FA-BS-FV-RTH1

Recommended Specifications

Front Access, Floor Outlet, Siphon Jet Series Bariatric Toilet shall be: Willoughby Model No. **BETF-1490-FM-FA**
(Select from model number and options list on next page)

Fixture shall be fabricated from heavy gauge, Type 304 stainless steel. The construction shall be all-welded. Fixture exterior shall have an antimicrobial gloss white powder coat enamel finish*. Toilet bowl interior shall have a sanitary bead-blast stainless steel finish.

Standard toilet shall include: elongated toilet bowl with integral contoured seat, integral crevice-free self-draining flushing rim with positive afterfill and fully enclosed 2-1/2" O.D. trap which shall maintain a minimum 3-1/2" seal and pass a 2-1/8" ball. Toilet shall be siphon jet type which requires 35 psi minimum flushing pressure. Hinged toilet seat shall have open front with cover and be rated for a 1200 pound weight capacity. Toilet seat hinges are stainless steel, seat and cover shall be white in color.

The fixture (less hinged seat) shall withstand loadings up to 2000 pounds with no measurable deflection and loadings up to 5000 pounds with no permanent damage.

Anchoring shall be from the front thru (2) 12" x 12" removable access panels. The fixture is provided with four (4) 3/4" wall carrier mounting holes and one (1) floor mounted 'Z' clip mounting bracket. Wall and floor anchoring hardware is by others.

**Antimicrobial properties are built-in to inhibit the growth of bacteria that may affect this product. The antimicrobial properties do not protect users or others against bacteria, viruses, germs, or other disease organisms. Always use good hygienic cleaning practices.*

visit our website at www.willoughby-ind.com
5105 West 78th Street • Indianapolis, IN. 46268
(317) 875-0830 • Fax: (317) 875-0837 • (800) 428-4065



MADE IN THE U.S.A.

MODEL NUMBER AND OPTIONS:

1.) Base Model Number:

BETF-1490-FM-FA Front Access, Floor Outlet, Siphon Jet Series Bariatric Toilet

2.) Inlet Location:

BS Back Spud
 TS Top Spud

3.) Flush Valve GPF's (Must Specify):

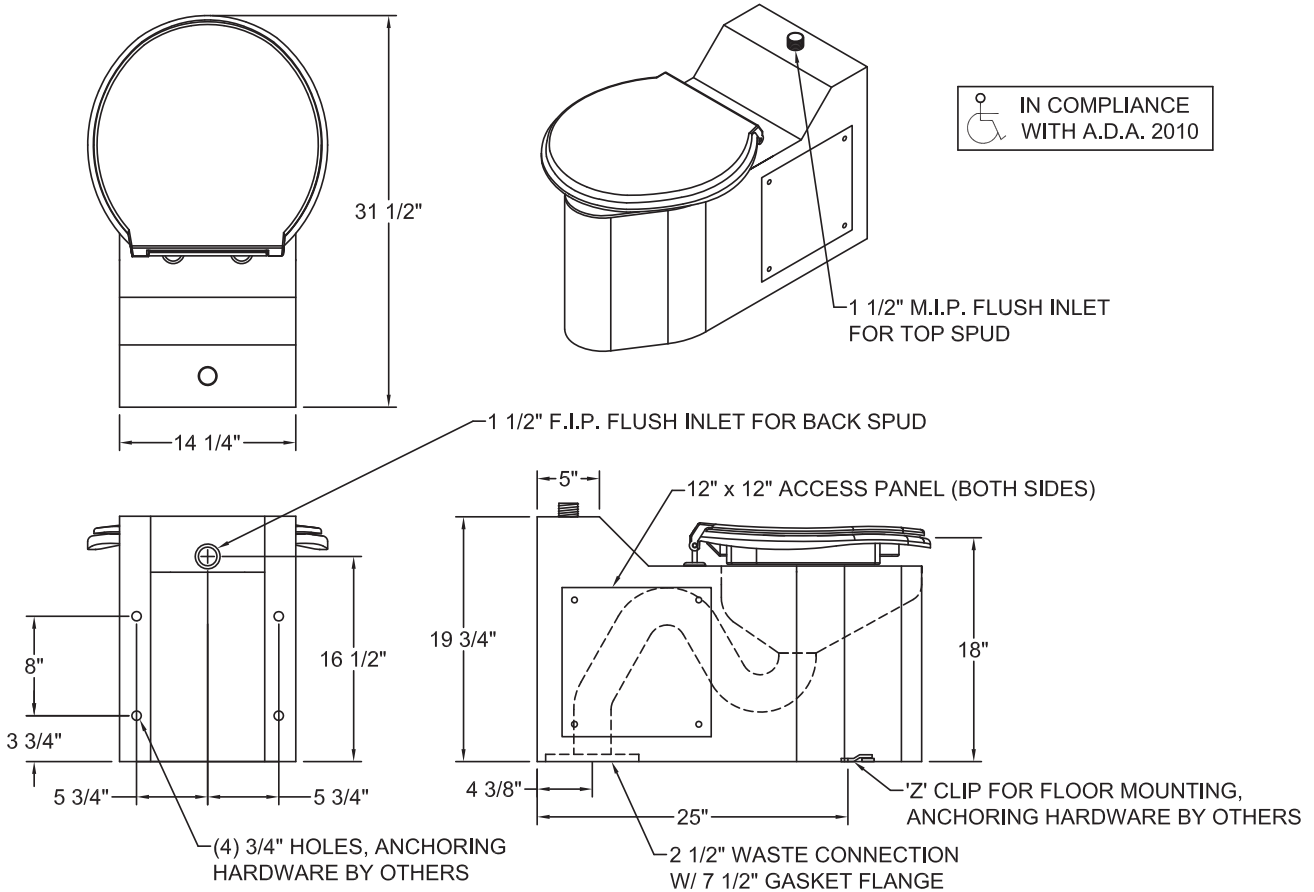
1.28 GPF HET
 1.6 GPF ULF (Standard)
 3.5 GPF (3" Waste Tube Required)

4.) Options:

BL Bedpan Lugs
 SLL Seat Less Lid
 FV Flush Valve
 FVC Flush Valve Cover (Top Spud)
 FVT Flush Valve Connection
 AP Flush Valve Access Panel
 MT Metal Template
 RTH2 Front Access Wall Mounted Recessed Tissue Holder
 Other: _____
 Other: _____

Approved For Manufacturing By: _____ Date: _____ Company: _____
 Wall Thickness: _____ Wall Type: _____

VERIFY ALL DIMENSIONS WITH FACTORY PRIOR TO ROUGH-IN
 WILLOUGHBY RESERVES THE RIGHT TO MAKE CHANGES IN DESIGN AND DIMENSIONS WITHOUT FORMAL NOTICE AND WITHOUT INCURRING OBLIGATION.



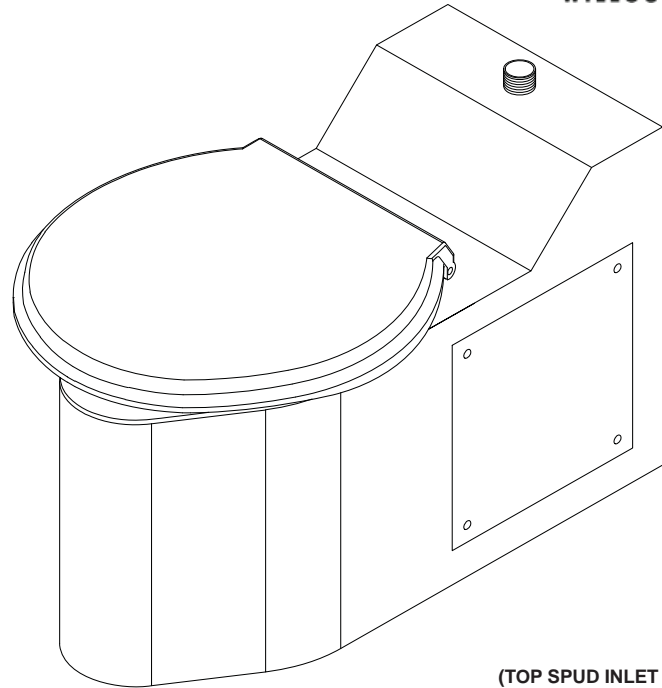
IN COMPLIANCE WITH A.D.A. 2010

visit our website at www.willoughby-ind.com
 5105 West 78th Street • Indianapolis, IN. 46268
 (317) 875-0830 • Fax: (317) 875-0837 • (800) 428-4065



MADE IN THE U.S.A.

BETF-1490-FM-FA-10" 10" Rough-In Front Access Floor Outlet Siphon Jet Series Bariatric Toilet



(TOP SPUD INLET SHOWN)



To specify fixture and accessories, use the Model Number and Options page.

Example: To specify a 10" Rough-In, Front Access, Floor Outlet, Siphon Jet Series Bariatric Toilet with back spud, flush valve and wall mounted recessed tissue holder

Use the following Willoughby Model Number:
BETF-1490-FM-FA-10-BS-FV-RTH1

Recommended Specifications

10" Rough-In, Front Access, Floor Outlet, Siphon Jet Series Bariatric Toilet shall be:

Willoughby Model No. **BETF-1490-FM-FA-10"**

(Select from model number and options list on next page)

Fixture shall be fabricated from heavy gauge, Type 304 stainless steel. The construction shall be all-welded. Fixture exterior shall have an antimicrobial gloss white powder coat enamel finish*. Toilet bowl interior shall have a sanitary bead-blast stainless steel finish.

Standard toilet shall include: elongated toilet bowl with integral contoured seat, integral crevice-free self-draining flushing rim with positive afterfill and fully enclosed 2-1/2" O.D. trap which shall maintain a minimum 3-1/2" seal and pass a 2-1/8" ball. Toilet shall be siphon jet type which requires 35 psi minimum flushing pressure. Hinged toilet seat shall have open front with cover and be rated for a 1200 pound weight capacity. Toilet seat hinges are stainless steel, seat and cover shall be white in color.

The fixture (less hinged seat) shall withstand loadings up to 2000 pounds with no measurable deflection and loadings up to 5000 pounds with no permanent damage.

Anchoring shall be from the front thru (2) 12" x 12" removable access panels. The fixture is provided with four (4) 3/4" wall carrier mounting holes and one (1) floor mounted 'Z' clip mounting bracket. Wall and floor anchoring hardware is by others.

**Antimicrobial properties are built-in to inhibit the growth of bacteria that may affect this product. The antimicrobial properties do not protect users or others against bacteria, viruses, germs, or other disease organisms. Always use good hygienic cleaning practices.*

visit our website at www.willoughby-ind.com
5105 West 78th Street • Indianapolis, IN. 46268
(317) 875-0830 • Fax: (317) 875-0837 • (800) 428-4065



MADE IN THE U.S.A.

MODEL NUMBER AND OPTIONS:

1.) Base Model Number:

BETF-1490-FM-FA-10" 10" Rough-In, Front Access, Floor Outlet, Siphon Jet Series Bariatric Toilet

2.) Inlet Location:

- BS Back Spud
- TS Top Spud

3.) Flush Valve GPF's (Must Specify):

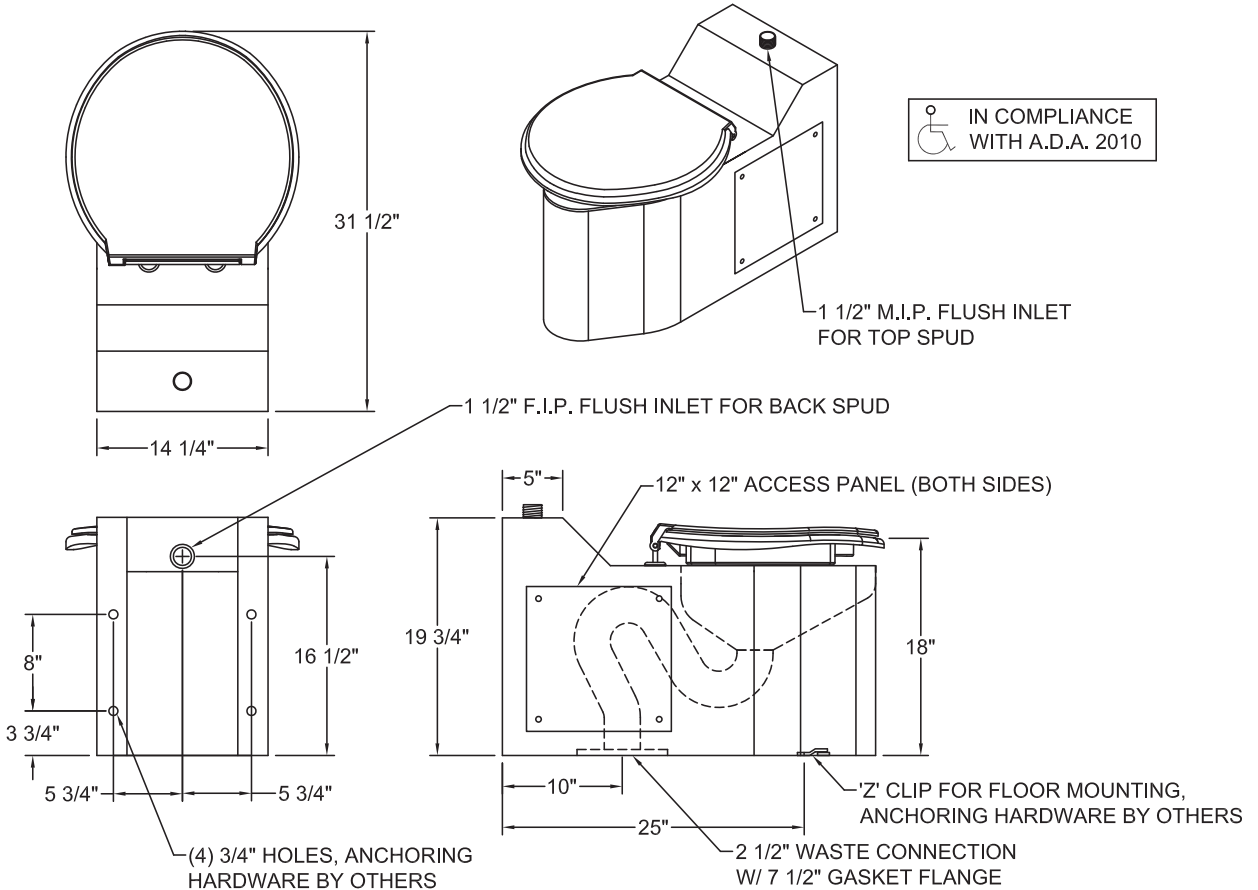
- 1.28 GPF HET
- 1.6 GPF ULF (Standard)
- 3.5 GPF (3" Waste Tube Required)

4.) Options:

- BL Bedpan Lugs
- SLL Seat Less Lid
- FV Flush Valve
- FVC Flush Valve Cover (Top Spud)
- FVT Flush Valve Connection
- AP Flush Valve Access Panel
- MT Metal Template
- RTH2 Front Access Wall Mounted Recessed Tissue Holder
- Other: _____
- Other: _____

Approved For Manufacturing By: _____ Date: _____ Company: _____
 Wall Thickness: _____ Wall Type: _____

VERIFY ALL DIMENSIONS WITH FACTORY PRIOR TO ROUGH-IN
 WILLOUGHBY RESERVES THE RIGHT TO MAKE CHANGES IN DESIGN AND DIMENSIONS WITHOUT FORMAL NOTICE AND WITHOUT INCURRING OBLIGATION.



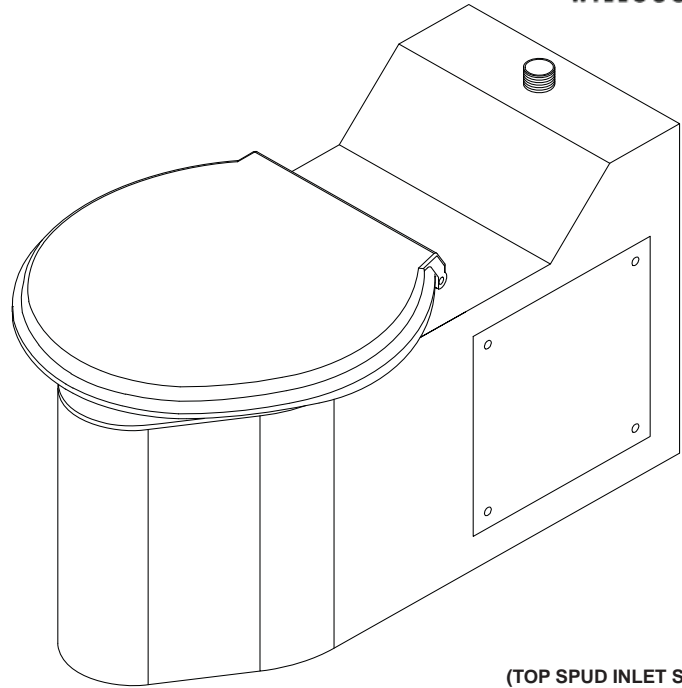
IN COMPLIANCE WITH A.D.A. 2010

visit our website at www.willoughby-ind.com
 5105 West 78th Street • Indianapolis, IN. 46268
 (317) 875-0830 • Fax: (317) 875-0837 • (800) 428-4065



MADE IN THE U.S.A.

BETF-1490-FM-FA-12" 12" Rough-In Front Access Floor Outlet Siphon Jet Series Bariatric Toilet



(TOP SPUD INLET SHOWN)



To specify fixture and accessories, use the Model Number and Options page.

Example: To specify a 12" Rough-In, Front Access, Floor Outlet, Siphon Jet Series Bariatric Toilet with back spud, flush valve and wall mounted recessed tissue holder

Use the following Willoughby Model Number:
BETF-1490-FM-FA-12-BS-FV-RTH1

Recommended Specifications

12" Rough-In, Front Access, Floor Outlet, Siphon Jet Series Bariatric Toilet shall be:

Willoughby Model No. **BETF-1490-FM-FA-12"**

(Select from model number and options list on next page)

Fixture shall be fabricated from heavy gauge, Type 304 stainless steel. The construction shall be all-welded. Fixture exterior shall have an antimicrobial gloss white powder coat enamel finish*. Toilet bowl interior shall have a sanitary bead-blast stainless steel finish.

Standard toilet shall include: elongated toilet bowl with integral contoured seat, integral crevice-free self-draining flushing rim with positive afterfill and fully enclosed 2-1/2" O.D. trap which shall maintain a minimum 3-1/2" seal and pass a 2-1/8" ball. Toilet shall be siphon jet type which requires 35 psi minimum flushing pressure. Hinged toilet seat shall have open front with cover and be rated for a 1200 pound weight capacity. Toilet seat hinges are stainless steel, seat and cover shall be white in color.

The fixture (less hinged seat) shall withstand loadings up to 2000 pounds with no measurable deflection and loadings up to 5000 pounds with no permanent damage.

Anchoring shall be from the front thru (2) 12" x 12" removable access panels. The fixture is provided with four (4) 3/4" wall carrier mounting holes and one (1) floor mounted 'Z' clip mounting bracket. Wall and floor anchoring hardware is by others.

**Antimicrobial properties are built-in to inhibit the growth of bacteria that may affect this product. The antimicrobial properties do not protect users or others against bacteria, viruses, germs, or other disease organisms. Always use good hygienic cleaning practices.*

visit our website at www.willoughby-ind.com
5105 West 78th Street • Indianapolis, IN. 46268
(317) 875-0830 • Fax: (317) 875-0837 • (800) 428-4065



MADE IN THE U.S.A.

MODEL NUMBER AND OPTIONS:

1.) Base Model Number:

BETF-1490-FM-FA-12" 12" Rough-In, Front Access, Floor Outlet, Siphon Jet Series Bariatric Toilet

2.) Inlet Location:

BS Back Spud
 TS Top Spud

3.) Flush Valve GPF's (Must Specify):

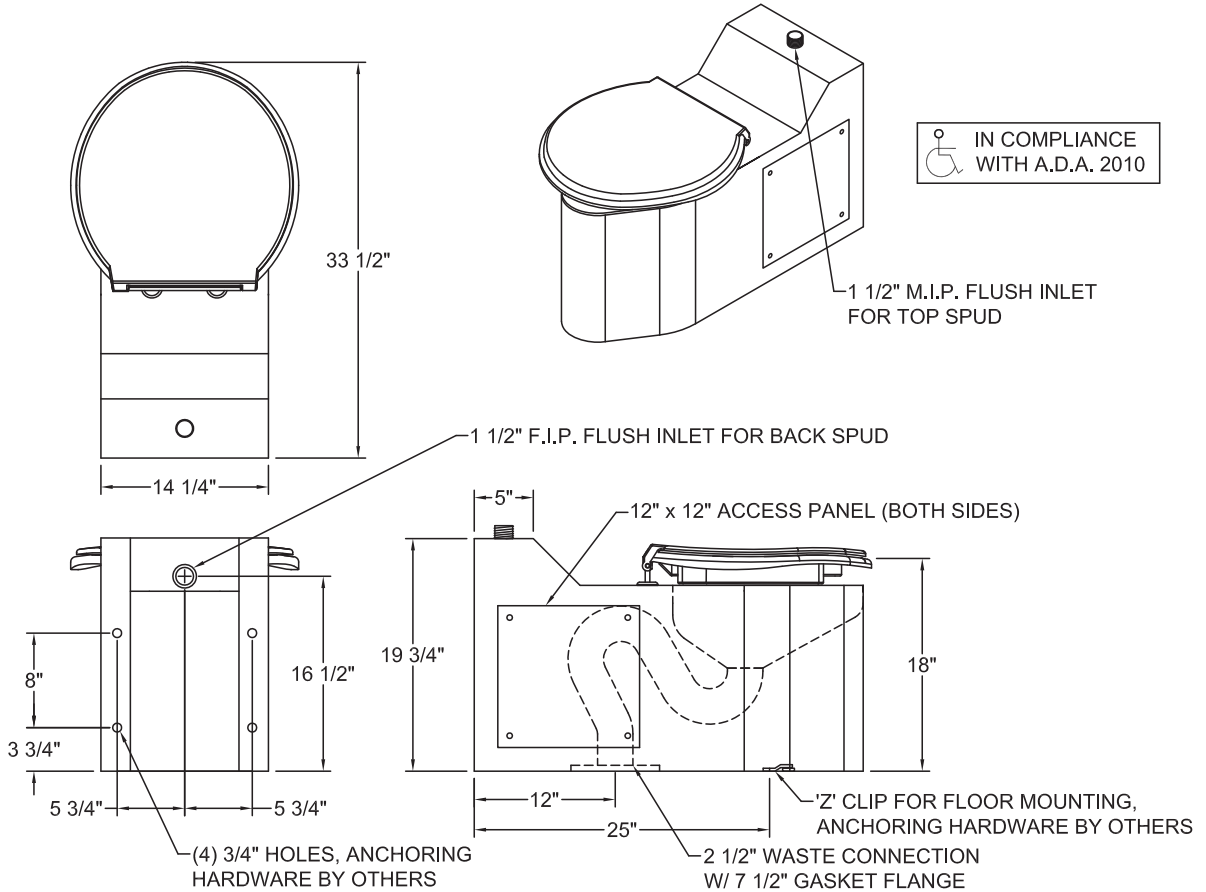
1.28 GPF HET
 1.6 GPF ULF (Standard)
 3.5 GPF (3" Waste Tube Required)

4.) Options:

BL Bedpan Lugs
 SLL Seat Less Lid
 FV Flush Valve
 FVC Flush Valve Cover (Top Spud)
 FVT Flush Valve Connection
 AP Flush Valve Access Panel
 MT Metal Template
 RTH2 Front Access Wall Mounted Recessed Tissue Holder
 Other: _____
 Other: _____

Approved For Manufacturing By: _____ Date: _____ Company: _____
 Wall Thickness: _____ Wall Type: _____

VERIFY ALL DIMENSIONS WITH FACTORY PRIOR TO ROUGH-IN
 WILLOUGHBY RESERVES THE RIGHT TO MAKE CHANGES IN DESIGN AND DIMENSIONS WITHOUT FORMAL NOTICE AND WITHOUT INCURRING OBLIGATION.



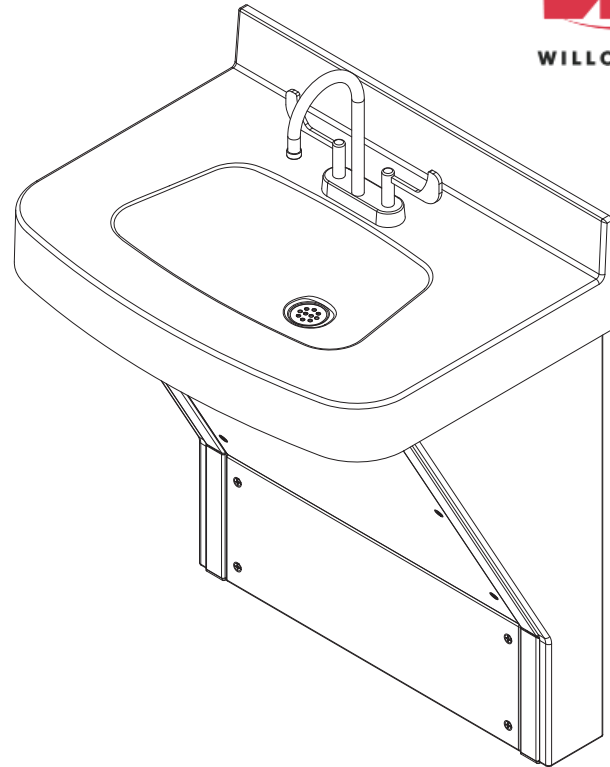
IN COMPLIANCE WITH A.D.A. 2010

visit our website at www.willoughby-ind.com
 5105 West 78th Street • Indianapolis, IN. 46268
 (317) 875-0830 • Fax: (317) 875-0837 • (800) 428-4065



MADE IN THE U.S.A.

BHS-3123 ADA-Compliant Solid Surface Bariatric Lavatory



Recommended Specifications

ADA-Compliant, Solid Surface Bariatric Lavatory shall be:
Willoughby Model No: **BHS-3123**
(Select from model number and options list on next page)

Floor mounted bariatric lavatory shall accommodate bariatric patient and be able to withstand a static downward force of 1,000 lbs at front edge of lavatory with no permanent physical damage.

Lavatory deck shall be constructed of Aquasurf® molded cast polymer densified solid surface material composed of polyester/acrylic resin, UV stabilizer, aluminum trihydrate and mineral fillers. Lavatory deck shall have an integral "D-shaped" bowl with an integrally cast 4" cove backsplash and 4" apron included.

Lavatory pedestal shall be welded stainless steel; exterior panels shall be solid polymer. Optional wood grain exterior panels available.

Unit shall require no chase for installation and maintenance.

To specify fixture and accessories, use the Model Number and Options page.

Example: To specify an ADA-Compliant, Solid Surface Bariatric Lavatory with a stainless steel pedestal, 4" CC, rigid 8" gooseneck, wristblade faucet, Sandstone color with Amati Walnut panels, and thermostatic mixing valve

Use the following Willoughby Model Number:
BHS-3123-WB1-SS-WL-TMV

BHS-3123 Bariatric Lavatory shall be supplied with a 4"CC, rigid 8" gooseneck wristblade faucet; and an antimicrobial drain and offset tail piece* (an optional antimicrobial trap is available). Optional infrared faucet models and thermostatic mixing valves are available.

ADA, TAS, UFAS, and ANSI Compliant:

Unit shall comply with IAPMO Z124 / CSA B45.5 requirements. It shall also comply with all applicable ADA, TAS, UFAS, and ANSI accessibility guidelines.

Mounting:

The lavatory shall be floor mounted with additional anchoring to back wall. Lavatory is designed to accommodate use of third party carrier should one be desired. (Carrier supplied by others). Proper backing and anchoring hardware for mounting of lavatory provided by others.

**Antimicrobial properties are built-in to inhibit the growth of bacteria that may affect this product. The antimicrobial properties do not protect users or others against bacteria, viruses, germs, or other disease organisms. Always use good hygienic cleaning practices.*

visit our website at www.willoughby-ind.com
5105 West 78th Street • Indianapolis, IN. 46268
(317) 875-0830 • Fax: (317) 875-0837 • (800) 428-4065



MADE IN THE U.S.A.

MODEL NUMBER AND OPTIONS:

1.) Lavatory Model:

- BHS-3123 ADA-Compliant, Solid Surface Bariatric Lavatory

2.) Faucet**:

- WB1 1.5 gpm, 4CC, Rigid 8" Gooseneck, Wristblade Faucet (Standard)
 SSF Gooseneck Sensor Spout, Center Shank IR Operated, Laminar Flow (12v transformer is required)
 SSFB Gooseneck Sensor Spout, Center Shank IR (Battery Operated), Laminar Flow
 NV No Valve, No Faucet/Spout- Faucet by Others (Select Hole Punching if needed)

3.) Hole Drilling Selection (Faucet by Others):

NOTE: If hole drilling is required, please submit faucet for approval

- 4CC 4" Centerset, Ø1" Holes (Specify 2 or 3 holes:___)
 8CC 8" Centerset, Ø1" Holes (Specify 2 or 3 holes:___)
 1CC Center Shank, (1) Ø1" Hole
 SP Special Punching/Drilling (Specify hole punching dim.)
 SP: _____

4.) Lavatory Deck Colors:

- BN Bone
 GW Glacier White
 GG Grey Granite
 SS Sandstone
 WG White Granite
 BG Black Granite
 NB Nocturnal Blue
 RC Red Coral
 SG Sea Green

5.) Side Panels:

Polymer Colors (Standard)

- AW Arctic White
 SM Sea Foam
 SN Sanshade (Almond)
 WW White White

Wood Grain Premium Colors (Optional- at additional cost)

- KM Kasei Maple
 MW Majestic Walnut
 WL Amati Walnut

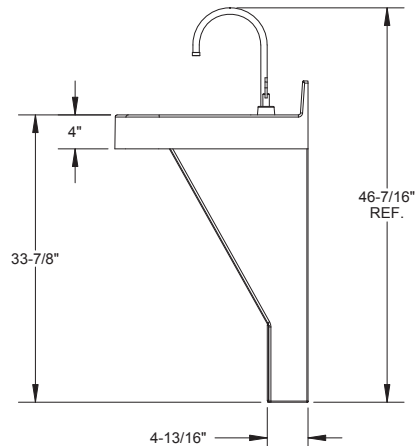
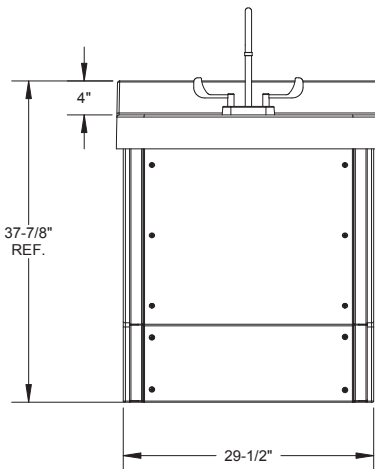
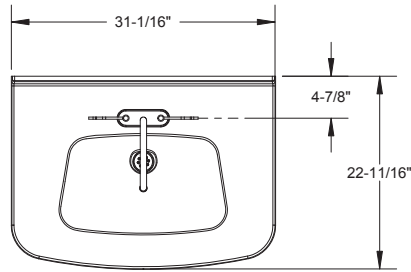
6.) Other:

- MT Wall Template
 TMV Inline Thermostatic Mixing Valve
 TF12PI 12v Plug-in Transformer (SSF faucet only)
 TF12HW 12v Hard-wire Transformer (SSF faucet only)
 AMT Antimicrobial Trap*

*Antimicrobial properties are built-in to inhibit the growth of bacteria that may affect this product. The antimicrobial properties do not protect users or others against bacteria, viruses, germs, or other disease organisms. Always use good hygienic cleaning practices.

Approved For Manufacturing By: _____ Date: _____ Company: _____
 Wall Thickness: _____ Wall Type: _____

VERIFY ALL DIMENSIONS WITH FACTORY PRIOR TO ROUGH-IN
 WILLOUGHBY RESERVES THE RIGHT TO MAKE CHANGES IN DESIGN AND DIMENSIONS WITHOUT FORMAL NOTICE AND WITHOUT INCURRING OBLIGATION.



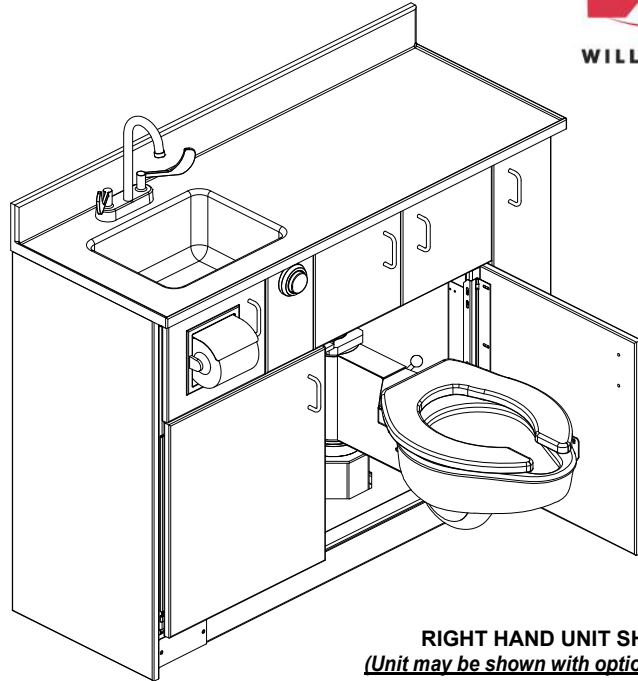
****NOTICE: Faucet options for the BHS-3123 Bariatric Lavatory have been selected to specifically minimize splashing and aerosolization when used with the BHS-3123. Willoughby Industries will not be held liable for any unintended splashing resulting from use of a faucet not supplied by Willoughby Industries or without prior approval by Willoughby Industries.**

visit our website at www.willoughby-ind.com
 5105 West 78th Street • Indianapolis, IN. 46268
 (317) 875-0830 • Fax: (317) 875-0837 • (800) 428-4065



MADE IN THE U.S.A.

WH-1700 Series Swivel Toilet Patient Care Unit



RIGHT HAND UNIT SHOWN
(Unit may be shown with optional features)

To specify fixture and accessories, use the Model Number and Options page.

Example: To specify a WH-1700 swivel toilet Patient Care Unit with right hand swivel toilet, 1.6 GPF, wall outlet toilet waste, 3" PVC toilet waste coupling, Arctic White cabinet, Red Coral color countertop w/matching Red Coral color lavatory bowl, standard back wall backsplash, standard gooseneck wrist-blade faucet, standard bedpan washer with elevated atm. vacuum breaker, and integral cabinet single valve dialysis box

Use the following Willoughby Model Number:

WH-1700-R-1.6-SWO-TWC3P-AW-RC-BCM-1-WB-BWSEV-SDB

Recommended Specifications

Modular Patient Care Unit in decorator cabinet shall be:
Willoughby Model No. **WH-1700**
(Select from model number and options list on next page)
Unit shall be free standing and shall include the following standard equipment and features:

Cabinet:

Modular Type 304 stainless steel welded cabinet shall include:

- Solid polymer exterior cabinet panels and doors
(Doors have rounded edges to enhance patient safety and Toilet Doors will support a 250 pound static load via the frame-mounted piano hinges)
- Solid surface countertop and integral lavatory bowl
- Toilet tissue holder conveniently located on the cabinet face
- Standard side-mounted bedpan washer concealed behind a separate cabinet door

(Other bedpan washer configurations/dialysis boxes are options.)

Toilet:

Standard siphon jet type swivel toilet shall include:

- Elongated toilet bowl with contoured seat
- Integral crevice-free self-draining flushing rim w/ positive afterfill
- Fully enclosed 2-1/2" O.D. trap which shall maintain a minimum 2" seal and pass a 2-1/8" ball
- Bead blast finish bowl interior (optional antimicrobial white ext.)*

Toilet shall require 35 psi min. flushing pressure and shall meet the requirements of ASME A112.19.3/CSA B45.4.

Lavatory:

Solid surface lavatory shall include:

- Rectangular bowl, 13-1/2" x 10-1/2" x 7" deep, w/ grid drain
- Rigid gooseneck spout faucet w/ laminar flow nozzle

Optional Features:

- Lavatory waste traps and stops are available options
- Integral solid surface lav. bowl can be ordered in one of two contrasting colors to visually separate bowl from countertop
- Available code variance-specific equipment

Mounting:

Anchoring shall be through the front and through the floor (anchoring hardware provided by others). Unit requires no chase area for installation and maintenance. Standard siphon jet type swivel toilet shall have a minimum 17" high rim height (less seat) and support a 2500 lb. vertical static load.

On back to back fixture installations, do not use standard cross type waste fitting: cross flow may result due to blowout jet action. Use sanitary or offset type waste fittings.

Note: For HET 1.28 GPF, unit will pass a 2" ball.

visit our website at www.willoughby-ind.com
5105 West 78th Street • Indianapolis, IN. 46268
(317) 875-0830 • Fax: (317) 875-0837 • (800) 428-4065



MADE IN THE U.S.A.

MODEL NUMBER AND OPTIONS:

1.) Patient Care Unit Model Number:

- WH-1700-R (Right hand toilet, Left sink)
- WH-1700-L (Left hand toilet, Right sink)

2.) Flush Valve GPF (Must Specify):

- 1.28 GPF HET
- 1.6 GPF ULF (Standard)
- 3.5 GPF (3" waste tube required)

3.) Toilet Fixture (Stainless Steel):

- SWO Swivel Toilet/Wall Outlet
- SFO Swivel Toilet/Floor Outlet

4.) Toilet Waste

- TWC__ Toilet Waste Coupling, for (SWO) only (Must Specify Connection):

- 3P Connecting to 3" PVC
- 3C Connecting to 3" Cast Iron
- 4P Connecting to 4" PVC
- 4C Connecting to 4" Cast Iron
- TWG Toilet Waste Gasket, for (SFO) only

5.) Exterior Polymer Panel Color (Must Specify):

- AW Arctic White
- WW White/White
- LG Light Grey
- SN Sansshade (Almond)
- SM Seafoam
- DG Dolphin Grey

6.) Countertop Color (AQCT) (Must Specify):

- BN Bone
- GW Glacier White
- GG Grey Granite
- SS Sandstone
- WG White Granite
- BG Black Granite
- NB Nocturnal Blue
- RC Red Coral
- SG Sea Green

7.) Countertop Sink Bowl Color:

- BCM Countertop-matching (Standard)
- BBN Bone
- BGW Glacier White

8.) Backsplash Orientation:

- 1 Back Wall Only (1 Wall) (Standard)
- 2 Right Hand Corner (2 Wall)
- 3 Left Hand Corner (2 Wall)
- 4 Alcove (3 Wall)

9.) Faucet:

- WB Gooseneck Spout, Laminar Flow, Wristblade Handles, 4CC
- FPF Gooseneck Spout, Laminar Flow, Foot Pedal Valve
- SSF Gooseneck Sensor Spout, Center Shank IR Operated, Laminar Flow (12v transformer is required)
- SSFB Gooseneck Sensor Spout, Center Shank IR (Battery Operated), Laminar Flow

10.) Other Options:

- BWSEV Bedpan Washer & Elevated Atmospheric Vacuum Breaker
- BWSEV-VC Bedpan Washer, Elevated Atmospheric Vacuum Breaker & Volume Control
- BWSCV Bedpan Washer & Continuous Pressure Vacuum Breaker
- BWSCV-VC Bedpan Washer, Continuous Pressure Vacuum Breaker & Volume Control
- SDB Integral Cabinet Single Valve Dialysis Box
- DDB Integral Cabinet Dual Valve Dialysis Box
- DC Antimicrobial White Exterior Toilet Finish*
- BL Bedpan Lugs
- TFL Toilet Flush Lock
- PAD Paddle Latch Toilet Release

11.) Code Variances:

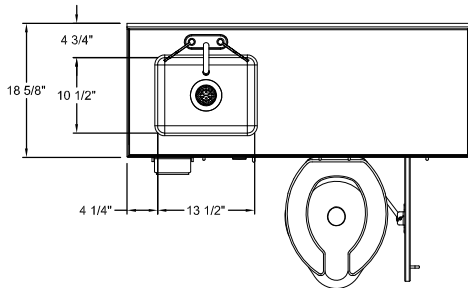
- TMV Inline Thermostatic Mixing Valve
- DBDRN Dialysis Box Drain /Trap
- PTC 'P' Trap w/Clean-out Plug
- LSS 1/2" x 3/8" Lavatory Supply Stops
- TF12PI 12v Plug-in Transformer (SSF faucet only)
- TF12HW 12v Hard-wire Transformer (SSF faucet only)
- Other _____
- Other _____

***Antimicrobial properties are built-in to inhibit the growth of bacteria that may affect this product. The antimicrobial properties do not protect users or others against bacteria, viruses, germs, or other disease organisms. Always use good hygienic cleaning practices.**

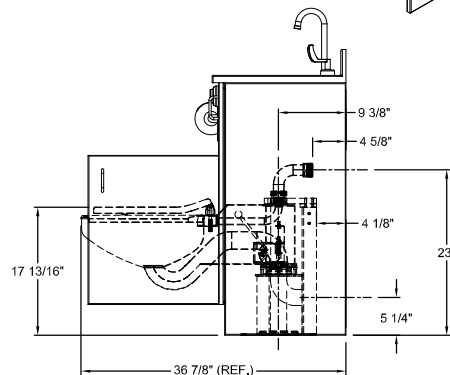
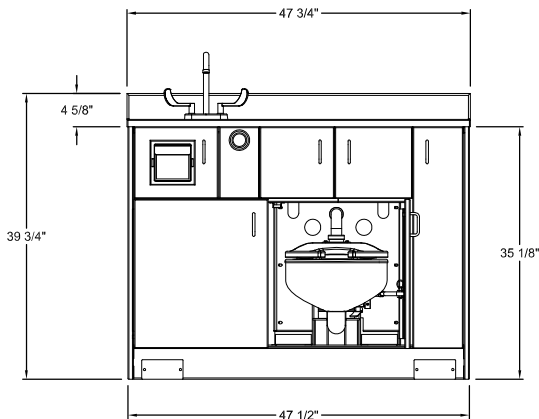
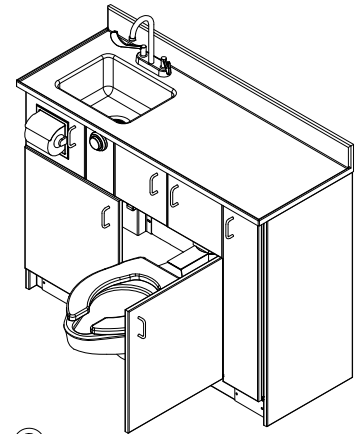
Approved For Manufacturing By: _____ Date: _____ Company: _____

Wall Thickness: _____ Wall Type: _____

VERIFY ALL DIMENSIONS WITH FACTORY PRIOR TO ROUGH-IN
 WILLOUGHBY RESERVES THE RIGHT TO MAKE CHANGES IN DESIGN AND DIMENSIONS WITHOUT FORMAL NOTICE AND WITHOUT INCURRING OBLIGATION.



REFERENCE: S900641
 NOTE: RIGHT HAND MODEL SHOWN, LEFT HAND IS SYMMETRICALLY OPPOSITE
 NOTE: REFERENCE ROUGH-IN TEMPLATES:
 WALL: S901913
 FLOOR: S900608

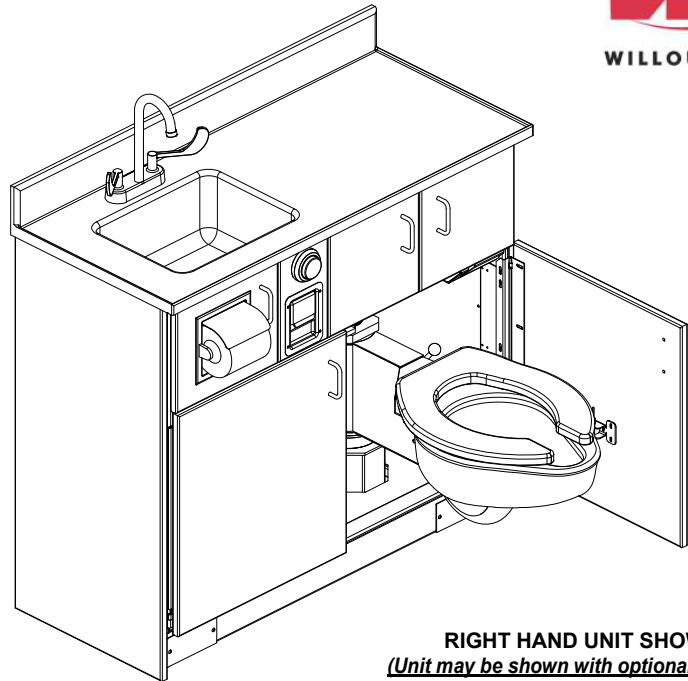


visit our website at www.willoughby-ind.com
 5105 West 78th Street • Indianapolis, IN. 46268
 (317) 875-0830 • Fax: (317) 875-0837 • (800) 428-4065



MADE IN THE U.S.A.

WH-1750 Series Swivel Toilet Patient Care Unit



RIGHT HAND UNIT SHOWN
(Unit may be shown with optional features)

To specify fixture and accessories, use the Model Number and Options page.

Example: To specify a WH-1750 swivel toilet Patient Care Unit with right hand swivel toilet, 1.6 GPF, wall outlet toilet waste, 3" PVC toilet waste coupling, Arctic White cabinet, Red Coral color countertop w/matching Red Coral color lavatory bowl, standard back wall backsplash, standard gooseneck wrist-blade faucet, bedpan washer with elevated atm. vacuum breaker, and integral cabinet single valve dialysis box

Use the following Willoughby Model Number:
WH-1750-R-1.6-SWO-TWC3P-AW-RC-BCM-1-WB-BWSEV-SDB

Recommended Specifications

Modular Patient Care Unit in decorator cabinet shall be:
Willoughby Model No. **WH-1750**
(Select from model number and options list on next page)
Unit shall be free standing and shall include the following standard equipment and features:

Cabinet:

- Modular Type 304 stainless steel welded cabinet shall include:
- Solid polymer exterior cabinet panels and doors
(Doors have rounded edges to enhance patient safety and Toilet Doors will support a 250 pound static load via the frame-mounted piano hinges)
 - Solid surface countertop and integral lavatory bowl
 - Toilet tissue holder conveniently located on the cabinet face
(Integral bedpan washer and dialysis box are available options.)

Toilet:

- Standard siphon jet type swivel toilet shall include:
- Elongated toilet bowl with contoured seat
 - Integral crevice-free self-draining flushing rim w/ positive afterfill
 - Fully enclosed 2-1/2" O.D. trap which shall maintain a minimum 2" seal and pass a 2-1/8" ball
 - Bead blast finish bowl interior (optional antimicrobial white ext.)*
- Toilet shall require 35 psi min. flushing pressure and shall meet the requirements of ASME A112.19.3/CSA B45.4.

Lavatory:

- Solid surface lavatory shall include:
- Rectangular bowl, 13-1/2" x 10-1/2" x 7" deep, w/ grid drain
 - Rigid gooseneck spout faucet w/ laminar flow nozzle

Optional Features:

- Lavatory waste traps and stops are available options
- Integral solid surface lav. bowl can be ordered in one of two contrasting colors to visually separate bowl from countertop
- Available code variance-specific equipment

Mounting:

Anchoring shall be through the front and through the floor (anchoring hardware provided by others). Unit requires no chase area for installation and maintenance. Standard siphon jet type swivel toilet shall have a minimum 17" high rim height (less seat) and support a 2500 lb. vertical static load.

On back to back fixture installations, do not use standard cross type waste fitting: cross flow may result due to blowout jet action. Use sanitary or offset type waste fittings.

Note: For HET 1.28 GPF, unit will pass a 2" ball.

MODEL NUMBER AND OPTIONS:

1.) Patient Care Unit Model Number:

- WH-1750-R (Right hand toilet, Left sink)
- WH-1750-L (Left hand toilet, Right sink)

2.) Flush Valve GPF (Must Specify):

- 1.28 GPF HET
- 1.6 GPF ULF (Standard)
- 3.5 GPF (3" waste tube required)

3.) Toilet Fixture (Stainless Steel):

- SWO Swivel Toilet/Wall Outlet
- SFO Swivel Toilet/Floor Outlet

4.) Toilet Waste

- TWC__ Toilet Waste Coupling, for (SWO) only (Must Specify Connection):

- 3P Connecting to 3" PVC
- 3C Connecting to 3" Cast Iron
- 4P Connecting to 4" PVC
- 4C Connecting to 4" Cast Iron
- TWG Toilet Waste Gasket, for (SFO) only

5.) Exterior Polymer Panel Color (Must Specify):

- AW Arctic White
- WW White/White
- LG Light Grey
- SN Sansshade (Almond)
- SM Seafoam
- DG Dolphin Grey

6.) Countertop Color (AQCT) (Must Specify):

- BN Bone
- GW Glacier White
- GG Grey Granite
- SS Sandstone
- WG White Granite
- BG Black Granite
- NB Nocturnal Blue
- RC Red Coral
- SG Sea Green

7.) Countertop Sink Bowl Color:

- BCM Countertop-matching (Standard)
- BBN Bone
- BGW Glacier White

8.) Backsplash Orientation:

- 1 Back Wall Only (1 Wall) (Standard)
- 2 Right Hand Corner (2 Wall)
- 3 Left Hand Corner (2 Wall)
- 4 Alcove (3 Wall)

9.) Faucet:

- WB Gooseneck Spout, Laminar Flow, Wristblade Handles, 4CC
- FPF Gooseneck Spout, Laminar Flow, Foot Pedal Valve
- SSF Gooseneck Sensor Spout, Center Shank IR Operated, Laminar Flow (12v transformer is required)
- SSFB Gooseneck Sensor Spout, Center Shank IR (Battery Operated), Laminar Flow

10.) Other Options:

- BWSEV Bedpan Washer & Elevated Atmospheric Vacuum Breaker
- BWSEV-VC Bedpan Washer, Elevated Atmospheric Vacuum Breaker & Volume Control
- BWSCV Bedpan Washer & Continuous Pressure Vacuum Breaker
- BWSCV-VC Bedpan Washer, Continuous Pressure Vacuum Breaker & Volume Control
- SDB Integral Cabinet Single Valve Dialysis Box
- DDB Integral Cabinet Dual Valve Dialysis Box
- DC Antimicrobial White Exterior Toilet Finish*
- BL Bedpan Lugs
- TFL Toilet Flush Lock
- PAD Paddle Latch Toilet Release

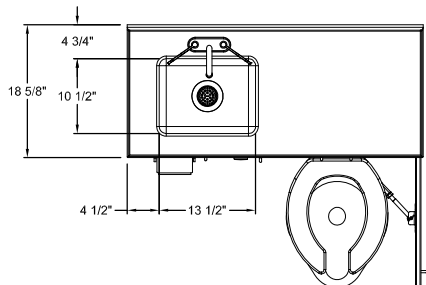
11.) Code Variances:

- TMV Inline Thermostatic Mixing Valve
- DBDRN Dialysis Box Drain /Trap
- PTC 'P' Trap w/Clean-out Plug
- LSS 1/2" x 3/8" Lavatory Supply Stops
- TF12PI 12v Plug-in Transformer (SSF faucet only)
- TF12HW 12v Hard-wire Transformer (SSF faucet only)
- Other _____
- Other _____

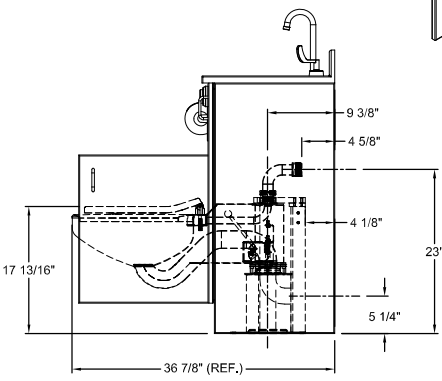
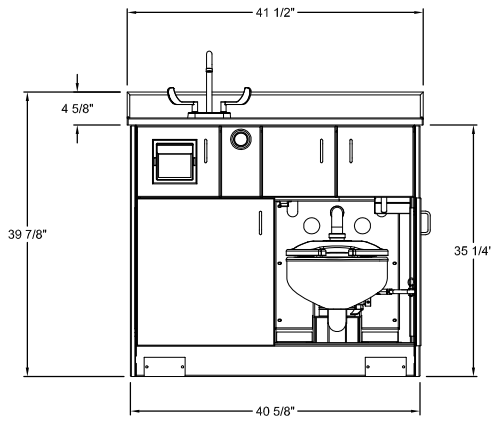
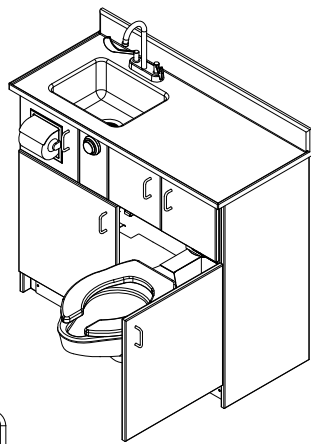
***Antimicrobial properties are built-in to inhibit the growth of bacteria that may affect this product. The antimicrobial properties do not protect users or others against bacteria, viruses, germs, or other disease organisms. Always use good hygienic cleaning practices.**

Approved For Manufacturing By: _____ Date: _____ Company: _____
 Wall Thickness: _____ Wall Type: _____

VERIFY ALL DIMENSIONS WITH FACTORY PRIOR TO ROUGH-IN
 WILLOUGHBY RESERVES THE RIGHT TO MAKE CHANGES IN DESIGN AND DIMENSIONS WITHOUT FORMAL NOTICE AND WITHOUT INCURRING OBLIGATION.



REFERENCE: S900586
 NOTE: RIGHT HAND MODEL SHOWN, LEFT HAND IS SYMMETRICALLY OPPOSITE
 NOTE: REFERENCE ROUGH-IN TEMPLATES:
 WALL: S900603
 FLOOR: S900594

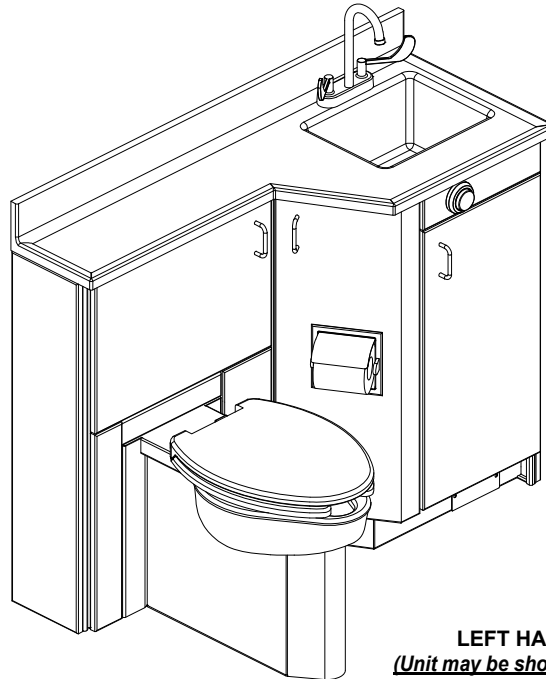


visit our website at www.willoughby-ind.com
 5105 West 78th Street • Indianapolis, IN. 46268
 (317) 875-0830 • Fax: (317) 875-0837 • (800) 428-4065



MADE IN THE U.S.A.

WH-1900 Series Patient Care Unit



LEFT HAND UNIT SHOWN
(Unit may be shown with optional features)

To specify fixture and accessories, use the Model Number and Options page.

Example: To specify a WH-1900 Patient Care Unit with left hand toilet, 1.6 GPF, wall outlet toilet waste, 3" PVC toilet waste coupling, Dolphin Grey cabinet, Nocturnal Blue color countertop w/contrasting Bone color lavatory bowl, standard back wall backsplash, standard gooseneck wrist-blade faucet, standard bed-pan washer with elevated atm. vacuum breaker, and standard antimicrobial white ext. toilet finish*

Use the following Willoughby Model Number:

WH-1900-L-1.6-WO-TWC3P-DG-NB-BBN-1-WB-BWSEV-DC

Recommended Specifications

Modular Patient Care Unit in decorator cabinet shall be:
Willoughby Model No. **WH-1900**
(Select from model number and options list on next page)
Unit shall be free standing and shall include the following standard equipment and features:

Cabinet:

Modular Type 304 stainless steel welded cabinet shall include:

- Solid polymer exterior cabinet panels and doors
(Doors have rounded edges to enhance patient safety)
- Solid surface countertop and integral lavatory bowl
- Toilet tissue holder conveniently located on the cabinet face
- Standard side-mounted bedpan washer concealed behind a separate cabinet door (Elevated atmospheric vacuum breaker included, integral dialysis box is optional.)

Toilet:

Standard siphon jet type toilet shall include:

- Elongated toilet bowl with contoured seat and lid
- Integral crevice-free self-draining flushing rim w/ positive afterfill
- Fully enclosed 2-1/2" O.D. trap which shall maintain a minimum 2" seal and pass a 2-1/8" ball
- Bead blast finish bowl interior; exterior finished in an antimicrobial gloss white powder coat enamel finish*

Toilet shall require 35 psi min. flushing pressure and shall meet the requirements of ASME A112.19.3/CSA B45.4.

Lavatory:

Solid surface lavatory shall include:

- Rectangular bowl, 13-1/2" x 10-1/2" x 7" deep, w/ grid drain
- Rigid gooseneck spout faucet w/ laminar flow nozzle

Optional Features:

- Lavatory waste traps and stops are available options
- Integral solid surface lav. bowl can be ordered in one of two contrasting colors to visually separate bowl from countertop
- Available code variance-specific equipment

Mounting:

Anchoring shall be through the front and through the floor (anchoring hardware provided by others). Unit requires no chase area for installation and maintenance. Standard siphon jet toilet shall have a minimum 17" rim height (less seat) and withstand loading up to 2000 lbs. with no measurable deflection and loading up to 5000 lbs. with no permanent damage.

On back to back fixture installations, do not use standard cross type waste fitting: cross flow may result due to blowout jet action. Use sanitary or offset type waste fittings.

Note: For HET 1.28 GPF, unit will pass a 2" ball.

MODEL NUMBER AND OPTIONS:

1.) Patient Care Unit Model Number:

- WH-1900-R (Right hand toilet, Left sink)
- WH-1900-L (Left hand toilet, Right sink)

2.) Flush Valve GPF (Must Specify):

- 1.28 GPF HET
- 1.6 GPF ULF (Standard)
- 3.5 GPF (3" waste tube required)

3.) Toilet Fixture (Stainless Steel):

- WO Floor Mounted Toilet/Wall Outlet
- FO Floor Mounted Toilet/Floor Outlet

4.) Toilet Waste

- TWC__ Toilet Waste Coupling, for (WO) only
(Must Specify Connection):

- 3P Connecting to 3" PVC
- 3C Connecting to 3" Cast Iron
- 4P Connecting to 4" PVC
- 4C Connecting to 4" Cast Iron

- TWG Toilet Waste Gasket, for (FO) only

5.) Exterior Polymer Panel Color (Must Specify):

- AW Arctic White
- WW White/White
- LG Light Grey
- SN Sanshade (Almond)
- SM Seafoam
- DG Dolphin Grey

6.) Countertop Color (AQCT) (Must Specify):

- BN Bone
- GW Glacier White
- GG Grey Granite
- SS Sandstone
- WG White Granite
- BG Black Granite
- NB Nocturnal Blue
- RC Red Coral
- SG Sea Green

7.) Countertop Sink Bowl Color:

- BCM Countertop-matching (Standard)
- BBN Bone
- BGW Glacier White

8.) Backsplash Orientation:

- 1 Back Wall Only (1 Wall)
- 2 Right Hand Corner (2 Wall)
- 3 Left Hand Corner (2 Wall)
- 4 Alcove (3 Wall)

9.) Faucet:

- WB Gooseneck Spout, Laminar Flow, Wristblade Handles, 4CC
- FPF Gooseneck Spout, Laminar Flow, Foot Pedal Valve
- SSF Gooseneck Sensor Spout, Center Shank IR Operated, Laminar Flow (12v transformer is required)
- SSFB Gooseneck Sensor Spout, Center Shank IR (Battery Operated), Laminar Flow

10.) Other Options:

- BWSEV Bedpan Washer & Elevated Atmospheric Vacuum Breaker
- BWSEV-VC Bedpan Washer, Elevated Atmospheric Vacuum Breaker & Volume Control
- BWSCV Bedpan Washer & Continuous Pressure Vacuum Breaker
- BWSCV-VC Bedpan Washer, Continuous Pressure Vacuum Breaker & Volume Control
- SDB Integral Cabinet Single Valve Dialysis Box
- DDB Integral Cabinet Dual Valve Dialysis Box
- DC Antimicrobial White Exterior Toilet Finish*(Standard)
- BL Bedpan Lugs
- RCC Roll Away Closet Cover (Exam Seat)

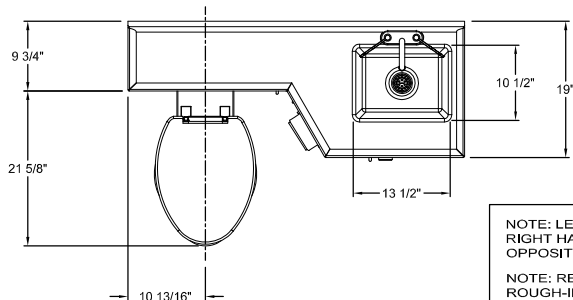
11.) Code Variances:

- TMV Inline Thermostatic Mixing Valve
- DBDRN Dialysis Box Drain /Trap
- PTC 'P' Trap w/Clean-out Plug
- LSS 1/2" x 3/8" Lavatory Supply Stops
- TF12PI 12v Plug-in Transformer (SSF faucet only)
- TF12HW 12v Hard-wire Transformer (SSF faucet only)
- Other _____
- Other _____

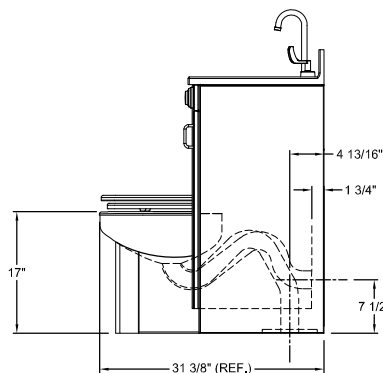
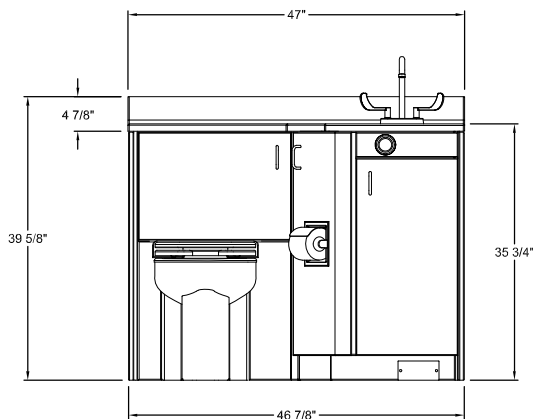
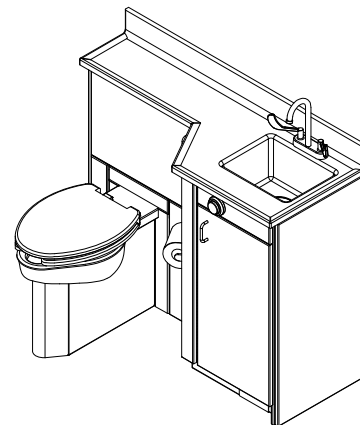
***Antimicrobial properties are built-in to inhibit the growth of bacteria that may affect this product. The antimicrobial properties do not protect users or others against bacteria, viruses, germs, or other disease organisms. Always use good hygienic cleaning practices.**

Approved For Manufacturing By: _____ Date: _____ Company: _____
Wall Thickness: _____ Wall Type: _____

VERIFY ALL DIMENSIONS WITH FACTORY PRIOR TO ROUGH-IN
 WILLOUGHBY RESERVES THE RIGHT TO MAKE CHANGES IN DESIGN AND DIMENSIONS WITHOUT FORMAL NOTICE AND WITHOUT INCURRING OBLIGATION.



NOTE: LEFT HAND MODEL SHOWN, RIGHT HAND IS SYMMETRICALLY OPPOSITE
NOTE: REFERENCE ROUGH-IN TEMPLATES: WALL: S900439 FLOOR: S900440

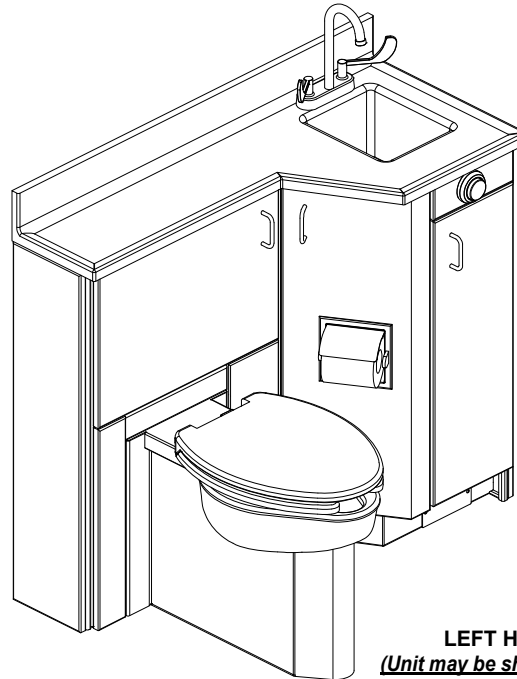


visit our website at www.willoughby-ind.com
5105 West 78th Street • Indianapolis, IN. 46268
(317) 875-0830 • Fax: (317) 875-0837 • (800) 428-4065



MADE IN THE U.S.A.

WH-1950 Series Patient Care Unit



LEFT HAND UNIT SHOWN
(Unit may be shown with optional features)

To specify fixture and accessories, use the Model Number and Options page.

Example: To specify a WH-1950 Patient Care Unit with left hand toilet, 1.6 GPF, wall outlet toilet waste, 3" PVC toilet waste coupling, Dolphin Grey cabinet, Nocturnal Blue color countertop w/contrasting Bone color lavatory bowl, standard back wall backsplash, standard gooseneck wrist-blade faucet, standard bedpan washer with elevated atm. vacuum breaker, and standard antimicrobial white ext. toilet finish*

Use the following Willoughby Model Number:

WH-1950-L-1.6-WO-TWC3P-DG-NB-BBN-1-WB-BWSEV-DC

Recommended Specifications

Modular Patient Care Unit in decorator cabinet shall be:
Willoughby Model No. **WH-1950**
(Select from model number and options list on next page)
Unit shall be free standing and shall include the following standard equipment and features:

Cabinet:

Modular Type 304 stainless steel welded cabinet shall include:

- Solid polymer exterior cabinet panels and doors
(Doors have rounded edges to enhance patient safety)
- Solid surface countertop and integral lavatory bowl
- Toilet tissue holder conveniently located on the cabinet face
(Integral bedpan washer and dialysis box are available options.)

Toilet:

Standard siphon jet type toilet shall include:

- Elongated toilet bowl with contoured seat and lid
- Integral crevice-free self-draining flushing rim w/ positive afterfill
- Fully enclosed 2-1/2" O.D. trap which shall maintain a minimum 2" seal and pass a 2-1/8" ball
- Bead blast finish bowl interior; exterior finished in an antimicrobial gloss white powder coat enamel finish*

Toilet shall require 35 psi min. flushing pressure and shall meet the requirements of ASME A112.19.3/CSA B45.4.

Lavatory:

Solid surface lavatory shall include:

- Rectangular bowl, 13-1/2" x 10-1/2" x 7" deep, w/ grid drain
- Rigid gooseneck spout faucet w/ laminar flow nozzle

Optional Features:

- Lavatory waste traps and stops are available options
- Integral solid surface lav. bowl can be ordered in one of two contrasting colors to visually separate bowl from countertop
- Available code variance-specific equipment

Mounting:

Anchoring shall be through the front and through the floor (anchoring hardware provided by others). Unit requires no chase area for installation and maintenance. Standard siphon jet toilet shall have a minimum 17" rim height (less seat) and withstand loading up to 2000 lbs. with no measurable deflection and loading up to 5000 lbs. with no permanent damage.

On back to back fixture installations, do not use standard cross type waste fitting: cross flow may result due to blowout jet action. Use sanitary or offset type waste fittings.

Note: For HET 1.28 GPF, unit will pass a 2" ball.

MODEL NUMBER AND OPTIONS:

1.) Patient Care Unit Model Number:

- WH-1950-R (Right hand toilet, Left sink)
- WH-1950-L (Left hand toilet, Right sink)

2.) Flush Valve GPF (Must Specify):

- 1.28 GPF HET
- 1.6 GPF ULF (Standard)
- 3.5 GPF (3" waste tube required)

3.) Toilet Fixture (Stainless Steel):

- WO Floor Mounted Toilet/Wall Outlet
- FO Floor Mounted Toilet/Floor Outlet

4.) Toilet Waste

- TWC__ Toilet Waste Coupling, for (WO) only
(Must Specify Connection):

- 3P Connecting to 3" PVC
- 3C Connecting to 3" Cast Iron
- 4P Connecting to 4" PVC
- 4C Connecting to 4" Cast Iron

- TWG Toilet Waste Gasket, for (FO) only

5.) Exterior Polymer Panel Color (Must Specify):

- AW Arctic White
- WW White/White
- LG Light Grey
- SN Sansshade (Almond)
- SM Seafoam
- DG Dolphin Grey

6.) Countertop Color (AQCT) (Must Specify):

- BN Bone
- GW Glacier White
- GG Grey Granite
- SS Sandstone
- WG White Granite
- BG Black Granite
- NB Nocturnal Blue
- RC Red Coral
- SG Sea Green

7.) Countertop Sink Bowl Color:

- BCM Countertop-matching (Standard)
- BBN Bone
- BGW Glacier White

8.) Backsplash Orientation:

- 1 Back Wall Only (1 Wall)
- 2 Right Hand Corner (2 Wall)
- 3 Left Hand Corner (2 Wall)
- 4 Alcove (3 Wall)

9.) Faucet:

- WB Gooseneck Spout, Laminar Flow, Wristblade Handles, 4CC
- FPF Gooseneck Spout, Laminar Flow, Foot Pedal Valve
- SSF Gooseneck Sensor Spout, Center Shank IR Operated, Laminar Flow (12v transformer is required)
- SSFB Gooseneck Sensor Spout, Center Shank IR (Battery Operated), Laminar Flow

10.) Other Options:

- BWSEV Bedpan Washer & Elevated Atmospheric Vacuum Breaker
- BWSEV-VC Bedpan Washer, Elevated Atmospheric Vacuum Breaker & Volume Control
- BWSCV Bedpan Washer & Continuous Pressure Vacuum Breaker
- BWSCV-VC Bedpan Washer, Continuous Pressure Vacuum Breaker & Volume Control
- SDB Integral Cabinet Single Valve Dialysis Box
- DDB Integral Cabinet Dual Valve Dialysis Box
- DC Antimicrobial White Exterior Toilet Finish*(Standard)
- BL Bedpan Lugs
- RCC Roll Away Closet Cover (Exam Seat)

11.) Code Variances:

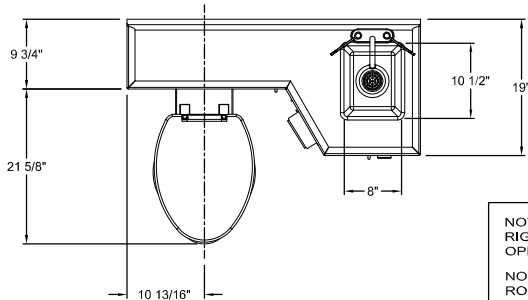
- TMV Inline Thermostatic Mixing Valve
- DBDRN Dialysis Box Drain /Trap
- PTC 'P' Trap w/Clean-out Plug
- LSS 1/2" x 3/8" Lavatory Supply Stops
- TF12PI 12v Plug-in Transformer (SSF faucet only)
- TF12HW 12v Hard-wire Transformer (SSF faucet only)
- Other _____
- Other _____

***Antimicrobial properties are built-in to inhibit the growth of bacteria that may affect this product. The antimicrobial properties do not protect users or others against bacteria, viruses, germs, or other disease organisms. Always use good hygienic cleaning practices.**

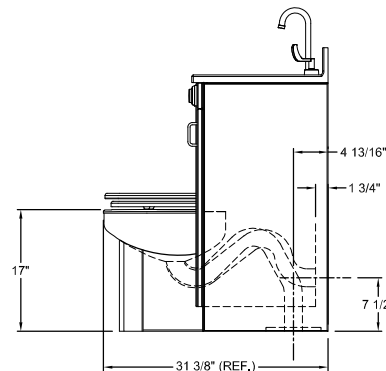
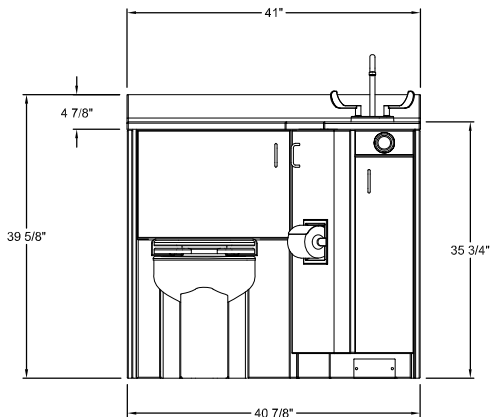
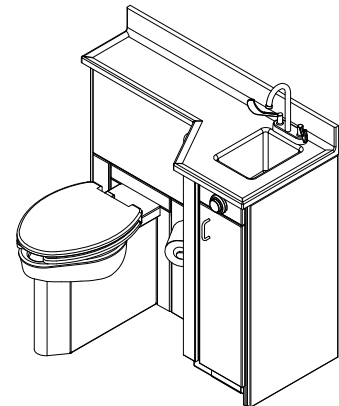
Approved For Manufacturing By: _____ Date: _____ Company: _____

Wall Thickness: _____ Wall Type: _____

VERIFY ALL DIMENSIONS WITH FACTORY PRIOR TO ROUGH-IN
 WILLOUGHBY RESERVES THE RIGHT TO MAKE CHANGES IN DESIGN AND DIMENSIONS WITHOUT FORMAL NOTICE AND WITHOUT INCURRING OBLIGATION.



NOTE: LEFT HAND MODEL SHOWN, RIGHT HAND IS SYMMETRICALLY OPPOSITE
 NOTE: REFERENCE ROUGH-IN TEMPLATES:
 WALL: S900792
 FLOOR: S900440



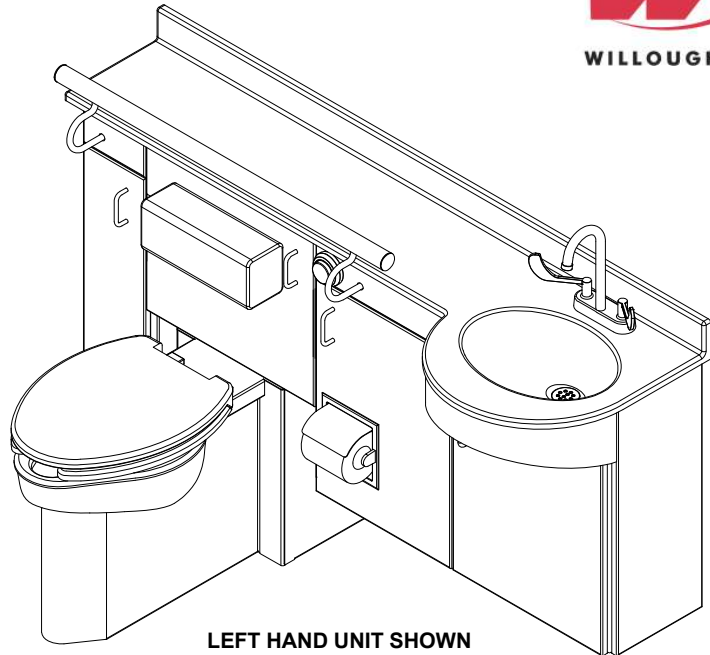
visit our website at www.willoughby-ind.com
 5105 West 78th Street • Indianapolis, IN. 46268
 (317) 875-0830 • Fax: (317) 875-0837 • (800) 428-4065



MADE IN THE U.S.A.

WH-2100 Series Patient Care Unit

NOTE: The WH-2101 series is a modification of the fixtures overall length. These models would have a suffix of MOD37, MOD41, MOD47 and MOD54 with corresponding size in inches to the model number.



LEFT HAND UNIT SHOWN
(Unit may be shown with optional features)

To specify fixture and accessories, use the Model Number and Options page.

Example: To specify a Patient Care Unit with left hand toilet, wall outlet with light grey cabinet, bone colored countertop, bone colored bowl, wristblade faucet, bedpan washer with elevated vacuum breaker, and antimicrobial white exterior toilet finish*

Use the following Willoughby Model Number:

WH-2100-L-1.6-WO-LG-AQCT-BN-BBN-1-WB-BWSEV-DC

Recommended Specifications

Modular Patient Care Unit with decorator cabinet shall be:
Willoughby Model No. **WH-21**_____

(Select from model number and options list on next page)

Unit shall be wall mounted or free standing and shall include the following standard equipment and features:

Cabinet:

Modular Type 304 stainless steel welded cabinet shall include:

- Solid polymer exterior cabinet panels and doors
(Doors have rounded edges to enhance patient safety)
- Solid surface countertop and integral lavatory bowl
- Toilet tissue holder conveniently located on the cabinet face
- Integral ADA grab bar
- Standard side-mounted bedpan washer concealed behind a separate cabinet door (Elevated atmospheric vacuum breaker included, integral dialysis box is optional.)

Toilet:

Standard siphon jet type toilet shall include:

- Elongated toilet bowl with contoured seat and lid
- Integral crevice-free self-draining flushing rim w/ positive afterfill
- Fully enclosed 2-1/2" O.D. trap which shall maintain a minimum 2" seal and pass a 2-1/8" ball
- Bead blast finish bowl interior; exterior finished in an antimicrobial gloss white powder coat enamel finish*

Toilet shall require 35 psi min. flushing pressure and shall meet the requirements of ASME A112.19.3/CSA B45.4.

Lavatory:

Solid surface lavatory shall include:

- Oval-shaped bowl, 15" x 11-1/2", w/ grid drain
- Rigid gooseneck spout faucet w/ laminar flow nozzle

Optional Features:

- Lavatory waste traps and stops are available options
- Integral solid surface lav. bowl can be ordered in one of two contrasting colors to visually separate bowl from countertop
- Available code variance-specific equipment

Mounting:

Anchoring shall be through the front and through the floor (anchoring hardware provided by others). Unit requires no chase area for installation and maintenance. Standard siphon jet toilet shall have a minimum 17" rim height (less seat) and withstand loading up to 2000 lbs. with no measurable deflection and loading up to 5000 lbs. with no permanent damage.

On back to back fixture installations, do not use standard cross type waste fitting: cross flow may result due to blowout jet action. Use sanitary or offset type waste fittings.

Note: For HET 1.28 GPF, unit will pass a 2" ball.

MODEL NUMBER AND OPTIONS:

1.) Patient Care Unit Model Number:

- WH-2100-R (Right hand toilet, Left sink)
- WH-2100-L (Left hand toilet, Right sink)
- WH-2101-R (Right hand toilet, Left sink)
- WH-2101-L (Left hand toilet, Right sink)

2.) Flush Valve GPF (Must Specify):

- 1.28 GPF HET
- 1.6 GPF ULF (Standard)
- 3.5 GPF (3" waste tube required)

3.) Toilet Fixture (Stainless Steel):

- WO Floor Mounted Toilet/Wall Outlet
- FO Floor Mounted Toilet/Floor Outlet

4.) Toilet Waste

- TWC__ Toilet Waste Coupling, for (WO) only (Must Specify Connection):
 - 3P Connecting to 3" PVC
 - 3C Connecting to 3" Cast Iron
 - 4P Connecting to 4" PVC
 - 4C Connecting to 4" Cast Iron
- TWG Toilet Waste Gasket, for (FO) only

5.) Exterior Polymer Panel Color (Must Specify):

- AW Arctic White
- WW White/White
- LG Light Grey
- SN Sansshade (Almond)
- SM Seafoam
- DG Dolphin Grey

6.) Countertop Color (AQCT) (Must Specify):

- BN Bone
- GW Glacier White
- GG Grey Granite
- SS Sandstone
- WG White Granite
- BG Black Granite
- NB Nocturnal Blue
- RC Red Coral
- SG Sea Green

7.) Countertop Sink Bowl Color:

- BCM Countertop-matching (Standard)
- BBN Bone
- BGW Glacier White

8.) Backsplash Orientation:

- 1 Back Wall Only (1 Wall)
- 2 Right Hand Corner (2 Wall)
- 3 Left Hand Corner (2 Wall)
- 4 Alcove (3 Wall)

9.) Faucet:

- WB Gooseneck Spout, Laminar Flow, Wristblade Handles, 4CC
- SSF Gooseneck Sensor Spout, Center Shank IR Operated, Laminar Flow (12v transformer is required)
- SSFB Gooseneck Sensor Spout, Center Shank IR (Battery Operated), Laminar Flow

10.) Other Options:

- BWSEV Bedpan Washer & Elevated Atmospheric Vacuum Breaker
- BWSEV-VC Bedpan Washer, Elevated Atmospheric Vacuum Breaker & Volume Control
- BWSCV Bedpan Washer & Continuous Pressure Vacuum Breaker
- BWSCV-VC Bedpan Washer, Continuous Pressure Vacuum Breaker & Volume Control
- SDB Integral Cabinet Single Valve Dialysis Box
- DDB Integral Cabinet Dual Valve Dialysis Box
- DC Antimicrobial White Exterior Toilet Finish*(Standard)
- BL Bedpan Lugs

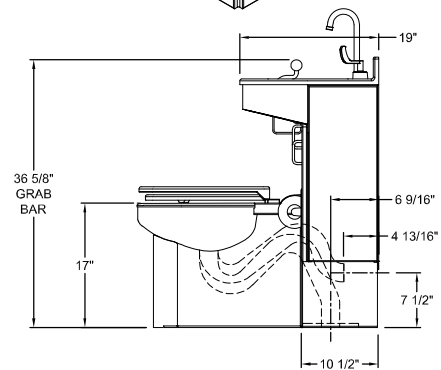
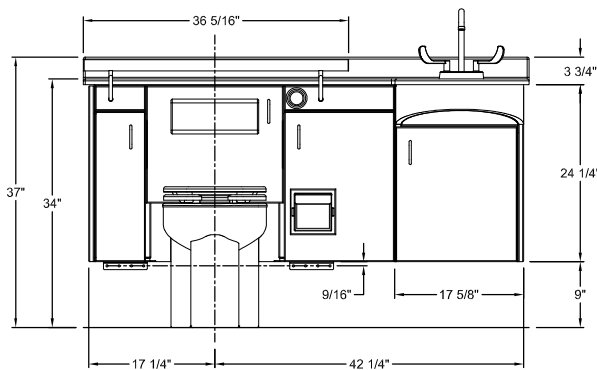
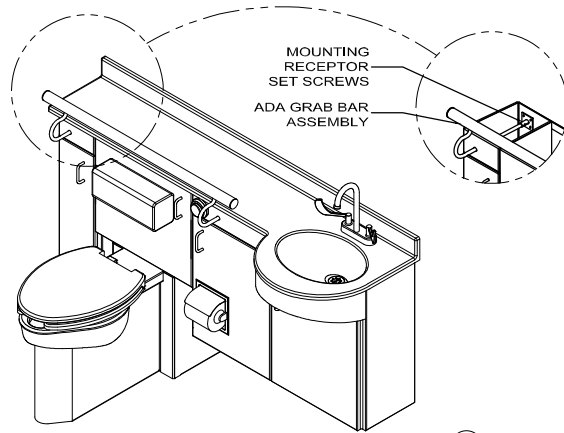
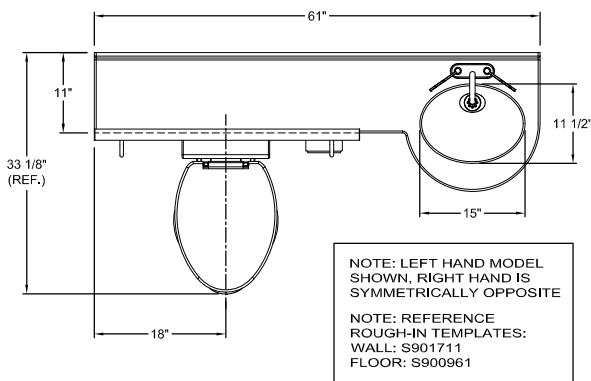
11.) Code Variances:

- TMV Inline Thermostatic Mixing Valve
- DBDRN Dialysis Box Drain /Trap
- PTC 'P' Trap w/Clean-out Plug
- LSS 1/2" x 3/8" Lavatory Supply Stops
- TF12PI 12v Plug-in Transformer (SSF faucet only)
- TF12HW 12v Hard-wire Transformer (SSF faucet only)
- Other _____
- Other _____

***Antimicrobial properties are built-in to inhibit the growth of bacteria that may affect this product. The antimicrobial properties do not protect users or others against bacteria, viruses, germs, or other disease organisms. Always use good hygienic cleaning practices.**

Approved For Manufacturing By: _____ Date: _____ Company: _____
 Wall Thickness: _____ Wall Type: _____

VERIFY ALL DIMENSIONS WITH FACTORY PRIOR TO ROUGH-IN
 WILLOUGHBY RESERVES THE RIGHT TO MAKE CHANGES IN DESIGN AND DIMENSIONS WITHOUT FORMAL NOTICE AND WITHOUT INCURRING OBLIGATION.

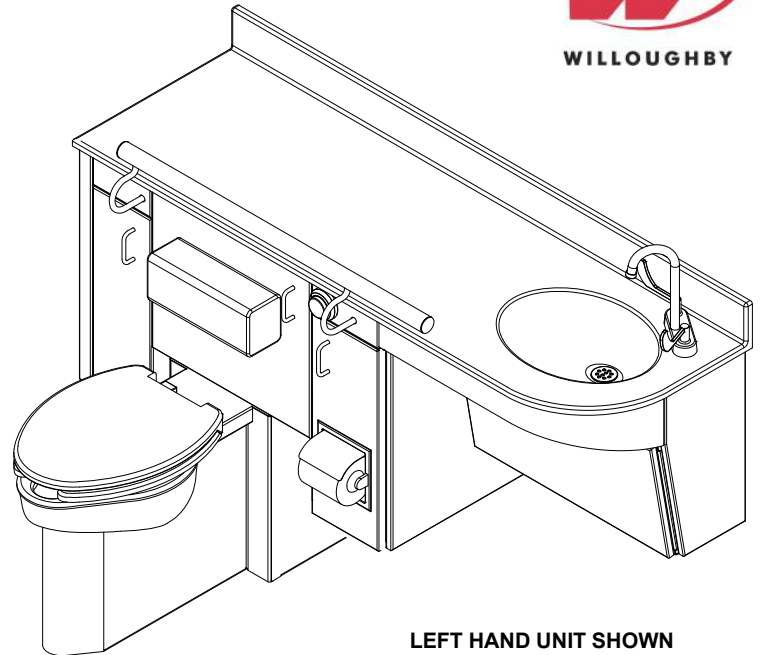


visit our website at www.willoughby-ind.com
 5105 West 78th Street • Indianapolis, IN. 46268
 (317) 875-0830 • Fax: (317) 875-0837 • (800) 428-4065



MADE IN THE U.S.A.

WH-2400 Series Handicap-ADA Compliant Patient Care Unit



LEFT HAND UNIT SHOWN
(Unit may be shown with optional features)

To specify fixture and accessories, use the Model Number and Options page.

Example: To specify a Patient Care Unit with left hand toilet, wall outlet with light grey cabinet, bone colored countertop, bone colored bowl, wristblade faucet, bedpan washer with elevated vacuum breaker, and antimicrobial white exterior toilet finish*

Use the following Willoughby Model Number:

WH-2400-L-1.6-WO-LG-AQCT-BN-BBN-1-WB-BWSEV-DC

Recommended Specifications

Modular Handicap-ADA Compliant** Patient Care Unit in decorator cabinet shall be: Willoughby Model No. **WH-2400**
(Select from model number and options list on next page)

Unit shall be wall mounted and shall include the following standard equipment and features:

Cabinet:

Modular Type 304 stainless steel welded cabinet shall include:

- Solid polymer exterior cabinet panels and doors
(Doors have rounded edges to enhance patient safety)
- Solid surface countertop and integral lavatory bowl
- Toilet tissue holder conveniently located on the cabinet face
- Integral ADA grab bar
- Standard side-mounted bedpan washer concealed behind a separate cabinet door (Elevated atmospheric vacuum breaker included, integral dialysis box is optional.)

Toilet:

Standard siphon jet type toilet shall include:

- Elongated toilet bowl with contoured seat and lid
- Integral crevice-free self-draining flushing rim w/ positive afterfill
- Fully enclosed 2-1/2" O.D. trap which shall maintain a minimum 2" seal and pass a 2-1/8" ball
- Bead blast finish bowl interior; exterior finished in an antimicrobial gloss white powder coat enamel finish*

Toilet shall require 35 psi min. flushing pressure and shall meet the requirements of ASME A112.19.3/CSA B45.4.

Lavatory:

Solid surface lavatory shall include:

- Oval-shaped bowl, 15" x 11-1/2", w/ grid drain
- Rigid gooseneck spout faucet w/ laminar flow nozzle

Optional Features:

- Lavatory waste traps and stops are available options
- Integral solid surface lav. bowl can be ordered in one of two contrasting colors to visually separate bowl from countertop
- Available code variance-specific equipment

Mounting:

Anchoring shall be through the front and through the floor (anchoring hardware provided by others). Unit requires no chase area for installation and maintenance. Standard siphon jet toilet shall have a minimum 17" rim height (less seat) and withstand loading up to 2000 lbs. with no measurable deflection and loading up to 5000 lbs. with no permanent damage.

On back to back fixture installations, do not use standard cross type waste fitting: cross flow may result due to blowout jet action. Use sanitary or offset type waste fittings.

Note: For HET 1.28 GPF, unit will pass a 2" ball.

**Certified to CSA Standard B45.4-99 and IAPMO PS 61-92, compliant to ADA, ADAAG, ANSI and CA Title 2.

visit our website at www.willoughby-ind.com

5105 West 78th Street • Indianapolis, IN. 46268

(317) 875-0830 • Fax: (317) 875-0837 • (800) 428-4065



MADE IN THE U.S.A.

MODEL NUMBER AND OPTIONS:

1.) Patient Care Unit Model Number:

- WH-2400-R (Right hand toilet, Left sink)
- WH-2400-L (Left hand toilet, Right sink)

2.) Flush Valve GPF (Must Specify):

- 1.28 GPF HET
- 1.6 GPF ULF (Standard)
- 3.5 GPF (3" waste tube required)

3.) Toilet Fixture (Stainless Steel):

- WO Floor Mounted Toilet/Wall Outlet
- FO Floor Mounted Toilet/Floor Outlet

4.) Toilet Waste

- TWC__ Toilet Waste Coupling, for (WO) only
(Must Specify Connection):

- 3P Connecting to 3" PVC
- 3C Connecting to 3" Cast Iron
- 4P Connecting to 4" PVC
- 4C Connecting to 4" Cast Iron

- TWG Toilet Waste Gasket, for (FO) only

5.) Exterior Polymer Panel Color (Must Specify):

- AW Arctic White
- WW White/White
- LG Light Grey
- SN Sanshade (Almond)
- SM Seafoam
- DG Dolphin Grey

6.) Countertop Color (AQCT) (Must Specify):

- BN Bone
- GW Glacier White
- GG Grey Granite
- SS Sandstone
- WG White Granite
- BG Black Granite
- NB Nocturnal Blue
- RC Red Coral
- SG Sea Green

7.) Countertop Sink Bowl Color:

- BCM Countertop-matching (Standard)
- BBN Bone
- BGW Glacier White

8.) Backsplash Orientation:

- 1 Back Wall Only (1 Wall) (Standard)
- 2 Right Hand Corner (2 Wall)
- 3 Left Hand Corner (2 Wall)
- 4 Alcove (3 Wall)

9.) Faucet:

- WB Gooseneck Spout, Laminar Flow, Wristblade Handles, 4CC
- SSF Gooseneck Sensor Spout, Center Shank IR Operated, Laminar Flow (12v transformer is required)
- SSFB Gooseneck Sensor Spout, Center Shank IR (Battery Operated), Laminar Flow

10.) Other Options:

- BWSEV Bedpan Washer & Elevated Atmospheric Vacuum Breaker
- BWSEV-VC Bedpan Washer, Elevated Atmospheric Vacuum Breaker & Volume Control
- BWSCV Bedpan Washer & Continuous Pressure Vacuum Breaker
- BWSCV-VC Bedpan Washer, Continuous Pressure Vacuum Breaker & Volume Control
- SDB Integral Cabinet Single Valve Dialysis Box
- DDB Integral Cabinet Dual Valve Dialysis Box
- DC Antimicrobial White Exterior Toilet Finish*(Standard)
- BL Bedpan Lugs

11.) Code Variances:

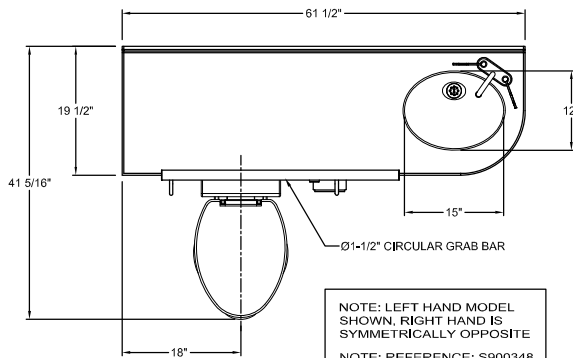
- TMV Inline Thermostatic Mixing Valve
- DBDRN Dialysis Box Drain /Trap
- PTC 'P' Trap w/Clean-out Plug
- LSS 1/2" x 3/8" Lavatory Supply Stops
- TF12PI 12v Plug-in Transformer (SSF faucet only)
- TF12HW 12v Hard-wire Transformer (SSF faucet only)
- Other _____
- Other _____

***Antimicrobial properties are built-in to inhibit the growth of bacteria that may affect this product. The antimicrobial properties do not protect users or others against bacteria, viruses, germs, or other disease organisms. Always use good hygienic cleaning practices.**

Approved For Manufacturing By: _____ Date: _____ Company: _____

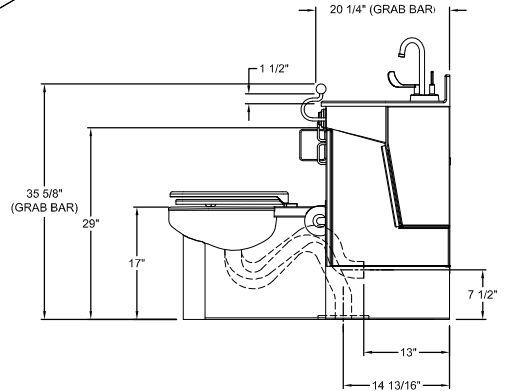
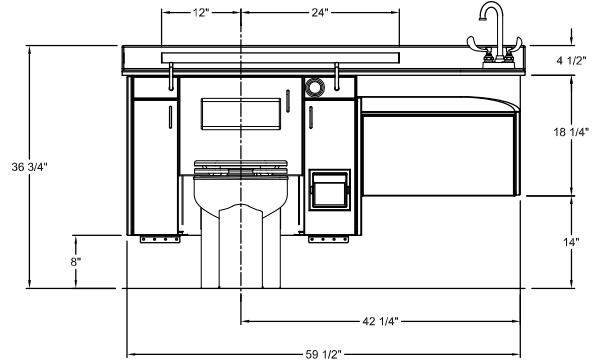
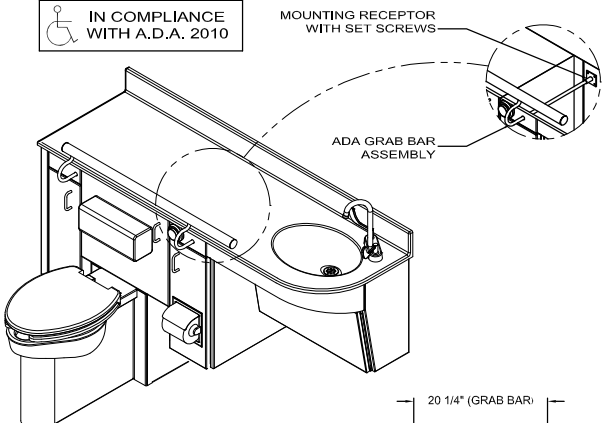
Wall Thickness: _____ Wall Type: _____

VERIFY ALL DIMENSIONS WITH FACTORY PRIOR TO ROUGH-IN
 WILLOUGHBY RESERVES THE RIGHT TO MAKE CHANGES IN DESIGN AND DIMENSIONS WITHOUT FORMAL NOTICE AND WITHOUT INCURRING OBLIGATION.



NOTE: LEFT HAND MODEL SHOWN, RIGHT HAND IS SYMMETRICALLY OPPOSITE
 NOTE: REFERENCE: S900348
 ROUGH-IN TEMPLATES:
 WALL: S900721
 FLOOR: S900762

IN COMPLIANCE WITH A.D.A. 2010

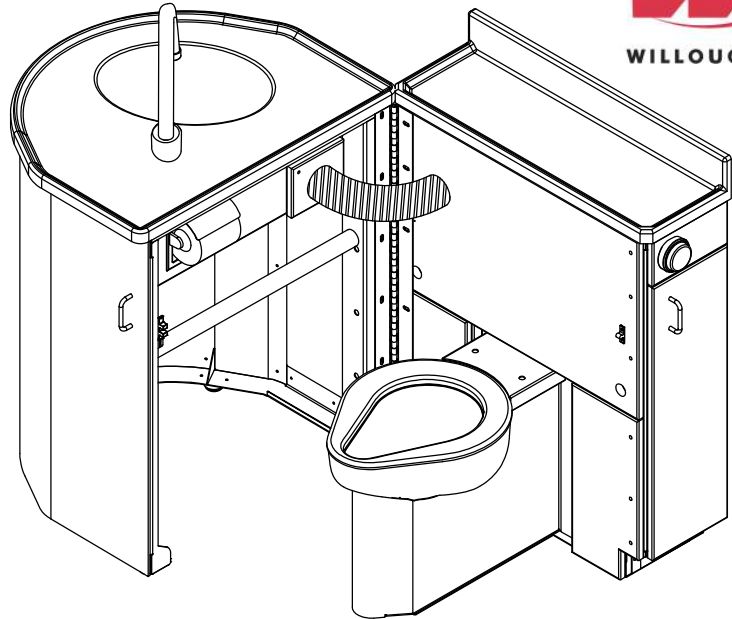


visit our website at www.willoughby-ind.com
 5105 West 78th Street • Indianapolis, IN. 46268
 (317) 875-0830 • Fax: (317) 875-0837 • (800) 428-4065



MADE IN THE U.S.A.

WH-2600 Patient Care Unit



LEFT HAND UNIT SHOWN
(Unit may be shown with optional features)

To specify fixture and accessories, use the Model Number and Options page.

Example: To specify a Patient Care Unit with left hinge/left lavatory, wall outlet with light grey cabinet, bone colored countertop, bone colored bowl, wristblade faucet, and antimicrobial white exterior toilet finish*

Use the following Willoughby Model Number:
WH-2600-L-1.6-WO-LG-AQCT-BN-BBN-WB-DC

Recommended Specifications

Modular Patient Care Unit with decorator cabinet shall be:
Willoughby Model No. **WH-2600**

(Select from model number and options list on next page)

Unit shall be free standing and shall include the following standard equipment and features:

Cabinet:

Modular Type 304 stainless steel welded cabinet shall include:

- Solid polymer exterior cabinet panels and doors
(Doors have rounded edges to enhance patient safety)
- Solid surface countertop and integral lavatory bowl
- Toilet tissue holder conveniently located within the cabinet
(Integral bedpan washer and dialysis box are available options.)

Toilet:

Standard siphon jet type toilet shall include:

- Elongated toilet bowl with contoured seat
- Integral crevice-free self-draining flushing rim w/ positive afterfill
- Fully enclosed 2-1/2" O.D. trap which shall maintain a minimum 2" seal and pass a 2-1/8" ball
- Bead blast finish bowl interior; exterior finished in an antimicrobial gloss white powder coat enamel finish*

Toilet shall require 35 psi min. flushing pressure and shall meet the requirements of ASME A112.19.3/CSA B45.4.

Lavatory:

Solid surface lavatory shall include:

- Oval-shaped bowl, 15" x 11-1/2", w/ grid drain
- Rigid gooseneck spout faucet w/ laminar flow nozzle

Optional Features:

- Lavatory waste traps and stops are available options
- Integral solid surface lav. bowl can be ordered in one of two contrasting colors to visually separate bowl from countertop
- Available code variance-specific equipment

Mounting:

Anchoring shall be through the front and through the floor (anchoring hardware provided by others). Unit requires no chase area for installation and maintenance. Standard siphon jet toilet shall have a minimum 17" rim height (less seat) and withstand loading up to 2000 lbs. with no measurable deflection and loading up to 5000 lbs. with no permanent damage.

On back to back fixture installations, do not use standard cross type waste fitting: cross flow may result due to blowout jet action. Use sanitary or offset type waste fittings.

Note: For HET 1.28 GPF, unit will pass a 2" ball.

visit our website at www.willoughby-ind.com

5105 West 78th Street • Indianapolis, IN. 46268

(317) 875-0830 • Fax: (317) 875-0837 • (800) 428-4065



MADE IN THE U.S.A.

MODEL NUMBER AND OPTIONS:

1.) Patient Care Unit Model Number:

- WH-2600-R (Center toilet, Right hinge/sink)
- WH-2600-L (Center toilet, Left hinge/sink)

2.) Flush Valve GPF (Must Specify):

- 1.28 GPF HET
- 1.6 GPF ULF (Standard)
- 3.5 GPF (3" waste tube required)

3.) Toilet Fixture (Stainless Steel):

- WO Floor Mounted Toilet/Wall Outlet
- FO Floor Mounted Toilet/Floor Outlet

4.) Toilet Waste

- TWC__ Toilet Waste Coupling, for (SWO) only (Must Specify Connection):
 - 3P Connecting to 3" PVC
 - 3C Connecting to 3" Cast Iron
 - 4P Connecting to 4" PVC
 - 4C Connecting to 4" Cast Iron
- TWG Toilet Waste Gasket, for (SFO) only

5.) Exterior Polymer Panel Color (Must Specify):

- AW Arctic White
- WW White/White
- LG Light Grey
- SN Sanshade (Almond)
- SM Seafoam
- DG Dolphin Grey

6.) Countertop Color (AQCT) (Must Specify):

- BN Bone
- GW Glacier White
- GG Grey Granite
- SS Sandstone
- WG White Granite
- BG Black Granite
- NB Nocturnal Blue
- RC Red Coral
- SG Sea Green

7.) Countertop Sink Bowl Color:

- BCM Countertop-matching (Standard)
- BBN Bone
- BGW Glacier White

8.) Backsplash Orientation:

- 1 Back Wall Only (1 Wall) (Standard)
- 2 Right Hand Corner (2 Wall)
- 3 Left Hand Corner (2 Wall)
- 4 Alcove (3 Wall)

9.) Faucet:

- WB Gooseneck Spout, Laminar Flow, Wristblade Handles, 4CC
- FPF Gooseneck Spout, Laminar Flow, Foot Pedal Valve
- SSF Gooseneck Sensor Spout, Center Shank IR Operated, Laminar Flow (12v transformer is required)
- SSFB Gooseneck Sensor Spout, Center Shank IR (Battery Operated), Laminar Flow

10.) Other Options:

- BWSEV Bedpan Washer & Elevated Atmospheric Vacuum Breaker
- BWSEV-VC Bedpan Washer, Elevated Atmospheric Vacuum Breaker & Volume Control
- BWSCV Bedpan Washer & Continuous Pressure Vacuum Breaker
- BWSCV-VC Bedpan Washer, Continuous Pressure Vacuum Breaker & Volume Control
- SDB Integral Cabinet Single Valve Dialysis Box
- DDB Integral Cabinet Dual Valve Dialysis Box
- DC Antimicrobial White Exterior Toilet Finish*
- BL Bedpan Lugs

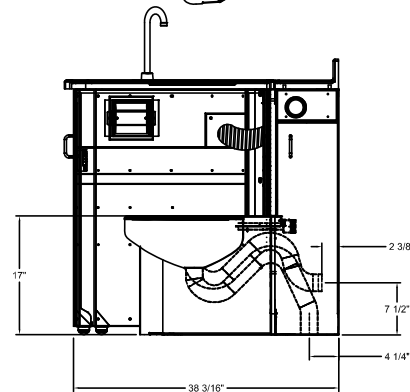
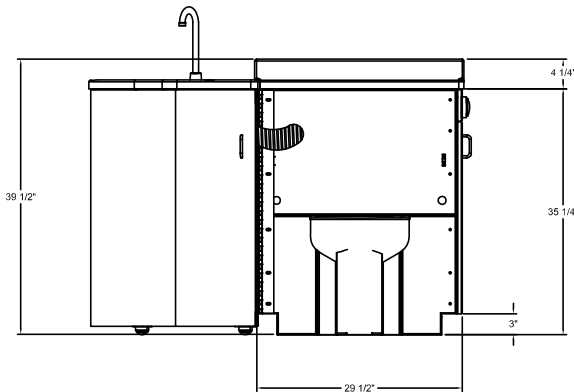
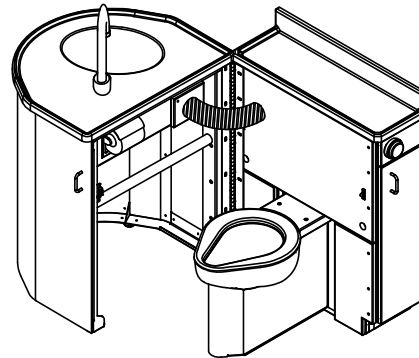
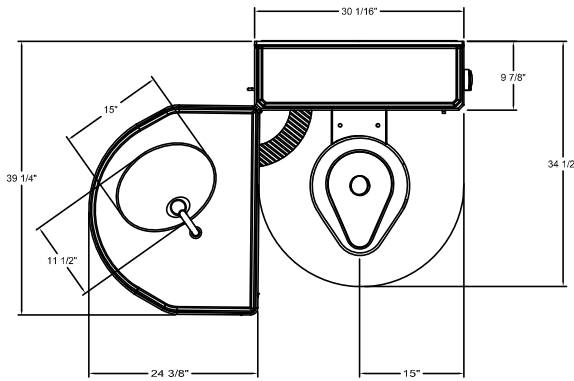
11.) Code Variances:

- TMV Inline Thermostatic Mixing Valve
- DBDRN Dialysis Box Drain /Trap
- PTC 'P' Trap w/Clean-out Plug
- LSS 1/2" x 3/8" Lavatory Supply Stops
- TF12PI 12v Plug-in Transformer (SSF faucet only)
- TF12HW 12v Hard-wire Transformer (SSF faucet only)
- Other _____
- Other _____

***Antimicrobial properties are built-in to inhibit the growth of bacteria that may affect this product. The antimicrobial properties do not protect users or others against bacteria, viruses, germs, or other disease organisms. Always use good hygienic cleaning practices.**

Approved For Manufacturing By: _____ Date: _____ Company: _____
 Wall Thickness: _____ Wall Type: _____

VERIFY ALL DIMENSIONS WITH FACTORY PRIOR TO ROUGH-IN
 WILLOUGHBY RESERVES THE RIGHT TO MAKE CHANGES IN DESIGN AND DIMENSIONS WITHOUT FORMAL NOTICE AND WITHOUT INCURRING OBLIGATION.

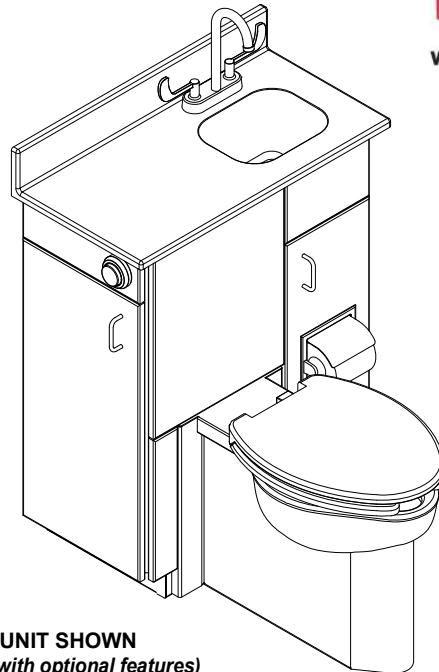


visit our website at www.willoughby-ind.com
 5105 West 78th Street • Indianapolis, IN. 46268
 (317) 875-0830 • Fax: (317) 875-0837 • (800) 428-4065



MADE IN THE U.S.A.

WH-2800 Patient Care Unit



LEFT HAND UNIT SHOWN
(Unit may be shown with optional features)

To specify fixture and accessories, use the Model Number and Options page.

Example: To specify a Patient Care Unit with left hand toilet, light grey cabinet, bone colored countertop, bone colored bowl, wristblade faucet, and antimicrobial white exterior toilet finish*

Use the following Willoughby Model Number:
WH-2800-L-1.6-TS-WO-LG-AQCT-BN-BBN-1-WB-DC

Recommended Specifications

Modular Patient Care Unit in decorator cabinet shall be:
Willoughby Model No. **WH-2800**
(Select from model number and options list on next page)
Unit shall be free standing and shall include the following standard equipment and features:

Cabinet:

Modular Type 304 stainless steel welded cabinet shall include:

- Solid polymer exterior cabinet panels and doors
(Doors have rounded edges to enhance patient safety)
- Solid surface countertop and integral lavatory bowl
- Toilet tissue holder conveniently located on the cabinet face
(Integral bedpan washer and dialysis box are available options.)

Toilet:

Standard siphon jet type toilet shall include:

- Elongated toilet bowl with contoured seat and lid
- Integral crevice-free self-draining flushing rim w/ positive afterfill
- Fully enclosed 2-1/2" O.D. trap which shall maintain a minimum 2" seal and pass a 2-1/8" ball
- Bead blast finish bowl interior; exterior finished in an antimicrobial gloss white powder coat enamel finish*

Toilet shall require 35 psi min. flushing pressure and shall meet the requirements of ASME A112.19.3/CSA B45.4.

Lavatory:

Solid surface lavatory shall include:

- Rectangular bowl, 9-3/4" x 7-3/4" x 6" deep, w/ grid drain
- Rigid gooseneck spout faucet w/ laminar flow nozzle

Optional Features:

- Lavatory waste traps and stops are available options
- Integral solid surface lav. bowl can be ordered in one of two contrasting colors to visually separate bowl from countertop
- Available code variance-specific equipment

Mounting:

Anchoring shall be through the front and through the floor (anchoring hardware provided by others). Unit requires no chase area for installation and maintenance. Standard siphon jet toilet shall have a minimum 17" rim height (less seat) and withstand loading up to 2000 lbs. with no measurable deflection and loading up to 5000 lbs. with no permanent damage.

On back to back fixture installations, do not use standard cross type waste fitting: cross flow may result due to blowout jet action. Use sanitary or offset type waste fittings.

Note: For HET 1.28 GPF, unit will pass a 2" ball.

MODEL NUMBER AND OPTIONS:

1.) Patient Care Unit Model Number:

- WH-2800-R (Right hand toilet, Left sink)
- WH-2800-L (Left hand toilet, Right sink)

2.) Flush Valve GPF (Must Specify):

- 1.28 GPF HET
- 1.6 GPF ULF (Standard)
- 3.5 GPF (3" waste tube required)

3.) Toilet Fixture (Stainless Steel):

- WO Floor Mounted Toilet/Wall Outlet
- FO Floor Mounted Toilet/Floor Outlet

4.) Toilet Waste

- TWC__ Toilet Waste Coupling, for (WO) only
(Must Specify Connection):

- 3P Connecting to 3" PVC
- 3C Connecting to 3" Cast Iron
- 4P Connecting to 4" PVC
- 4C Connecting to 4" Cast Iron

- TWG Toilet Waste Gasket, for (FO) only

5.) Exterior Polymer Panel Color (Must Specify):

- AW Arctic White
- WW White/White
- LG Light Grey
- SN Sanshade (Almond)
- SM Seafoam
- DG Dolphin Grey

6.) Countertop Color (AQCT) (Must Specify):

- BN Bone
- GW Glacier White
- GG Grey Granite
- SS Sandstone
- WG White Granite
- BG Black Granite
- NB Nocturnal Blue
- RC Red Coral
- SG Sea Green

7.) Countertop Sink Bowl Color:

- BCM Countertop-matching (Standard)
- BBN Bone
- BGW Glacier White

8.) Backsplash Orientation:

- 1 Back Wall Only (1 Wall) (Standard)
- 2 Right Hand Corner (2 Wall)
- 3 Left Hand Corner (2 Wall)
- 4 Alcove (3 Wall)

9.) Faucet:

- WB Gooseneck Spout, Laminar Flow, Wristblade Handles, 4CC
- FPF Gooseneck Spout, Laminar Flow, Foot Pedal Valve
- SSF Gooseneck Sensor Spout, Center Shank IR Operated, Laminar Flow (12v transformer is required)
- SSFB Gooseneck Sensor Spout, Center Shank IR (Battery Operated), Laminar Flow

10.) Other Options:

- BWSEV Bedpan Washer & Elevated Atmospheric Vacuum Breaker
- BWSEV-VC Bedpan Washer, Elevated Atmospheric Vacuum Breaker & Volume Control
- BWSCV Bedpan Washer & Continuous Pressure Vacuum Breaker
- BWSCV-VC Bedpan Washer, Continuous Pressure Vacuum Breaker & Volume Control
- SDB Integral Cabinet Single Valve Dialysis Box
- DDB Integral Cabinet Dual Valve Dialysis Box
- DC Antimicrobial White Exterior Toilet Finish*(Standard)
- BL Bedpan Lugs
- RCC Roll Away Closet Cover (Exam Seat)

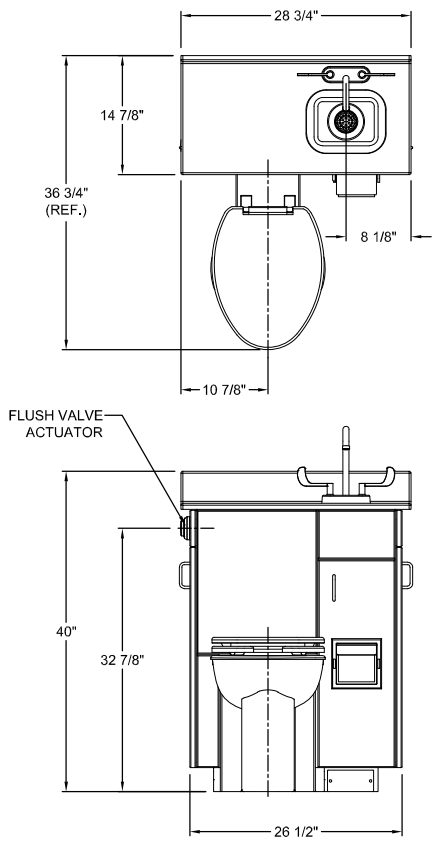
11.) Code Variances:

- TMV Inline Thermostatic Mixing Valve
- DBDRN Dialysis Box Drain /Trap
- PTC 'P' Trap w/Clean-out Plug
- LSS 1/2" x 3/8" Lavatory Supply Stops
- TF12PI 12v Plug-in Transformer (SSF faucet only)
- TF12HW 12v Hard-wire Transformer (SSF faucet only)
- Other _____
- Other _____

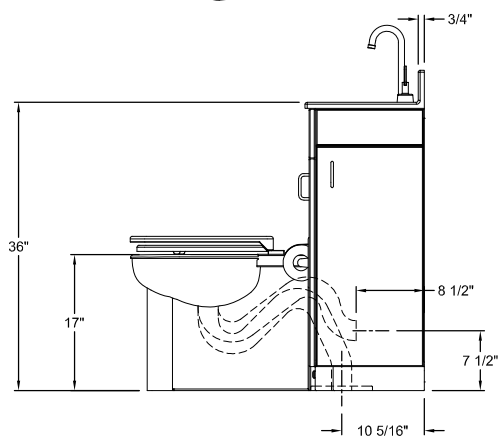
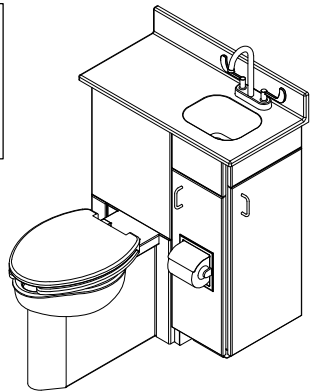
***Antimicrobial properties are built-in to inhibit the growth of bacteria that may affect this product. The antimicrobial properties do not protect users or others against bacteria, viruses, germs, or other disease organisms. Always use good hygienic cleaning practices.**

Approved For Manufacturing By: _____ Date: _____ Company: _____
Wall Thickness: _____ Wall Type: _____

VERIFY ALL DIMENSIONS WITH FACTORY PRIOR TO ROUGH-IN
WILLOUGHBY RESERVES THE RIGHT TO MAKE CHANGES IN DESIGN AND DIMENSIONS WITHOUT FORMAL NOTICE AND WITHOUT INCURRING OBLIGATION.



NOTE: LEFT HAND MODEL SHOWN, RIGHT HAND IS SYMMETRICALLY OPPOSITE
NOTE: REFERENCE: S900722
ROUGH-IN TEMPLATES:
WALL: S900516
FLOOR: S900517

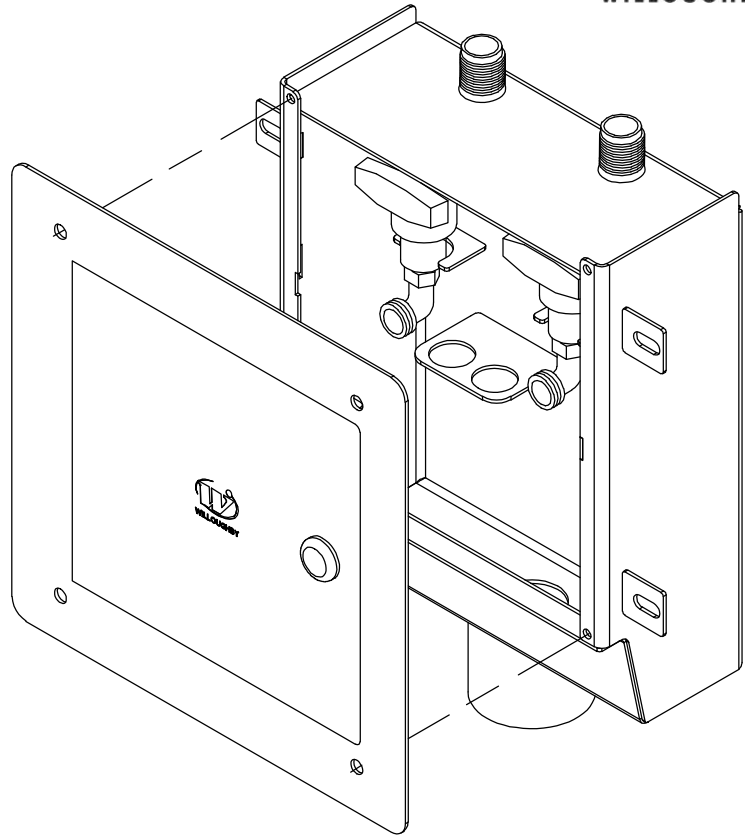


visit our website at www.willoughby-ind.com
5105 West 78th Street • Indianapolis, IN. 46268
(317) 875-0830 • Fax: (317) 875-0837 • (800) 428-4065



MADE IN THE U.S.A.

DB Series Dialysis Supply and Waste Box



Recommended Specifications

Dialysis Supply and Waste Box shall be: Willoughby Model No. **DB-**_____ (Select from model number and options list on next page)

The Dialysis Box shall be fabricated from Type 316 stainless steel with continuous-welded seams. Wall flange and door shall be Type 316 stainless steel. Ball valves and fittings shall be NSF-61 PVC (polyvinyl chloride) and nylon for corrosion resistance with seals in the ball valve. Fittings shall be provided to enable flushing of the supply line.

Technical Data

Dialysis Supply:

Standard supply valves and fittings are PVC (polyvinyl chloride) and nylon (Stainless steel valves and fittings are an available option). The ball-type valves included with the box will have O-ring seals and shall be securely anchored to the box. The valves are furnished with flushing fittings for connecting to the valve outlets when the supply line is flushed into the waste receptor.

Waste Box / Receptor:

All Dialysis Box components that come into contact with waste water are fabricated using Type 316 stainless steel with continuous-welded seams. Both the interior of the box as well as exposed parts of the waste receptor will have a standard satin finish. The rigid, welded hose bracket can hold up to two discharge hoses. The waste outlet is a 2-3/8" O.D. stainless steel tail-piece and can be connected directly to a nominal 2" glass or plastic drain line with a mechanical coupling.

Wall Flange and Door:

An adjustable wall flange is provided to cover any space between the wall and box and is securely anchored with phillips head screws at each corner. A lockable door with cylinder lock and two keys is an available option. Both the wall flange and door are fabricated from Type 316 stainless steel.

visit our website at www.willoughby-ind.com
5105 West 78th Street • Indianapolis, IN. 46268
(317) 875-0830 • Fax: (317) 875-0837 • (800) 428-4065



MADE IN THE U.S.A.

MODEL NUMBER AND OPTIONS:

1.) Base Model Number:

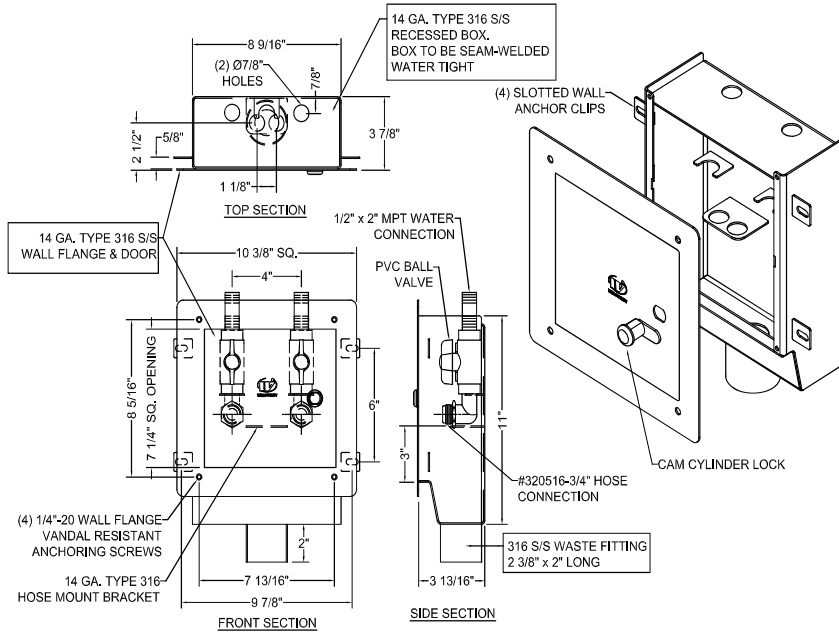
- DB-8190 Two-valve Supply Dialysis Box w/ Wall Flange, Less Door
- DB-8191 One-valve Supply Dialysis Box w/ Wall Flange, Less Door
- DB-8195 Two-valve Supply Dialysis Box w/ Wall Flange and Locking Door
- DB-8196 One-valve Supply Dialysis Box w/ Wall Flange and Locking Door

2.) Other Options:

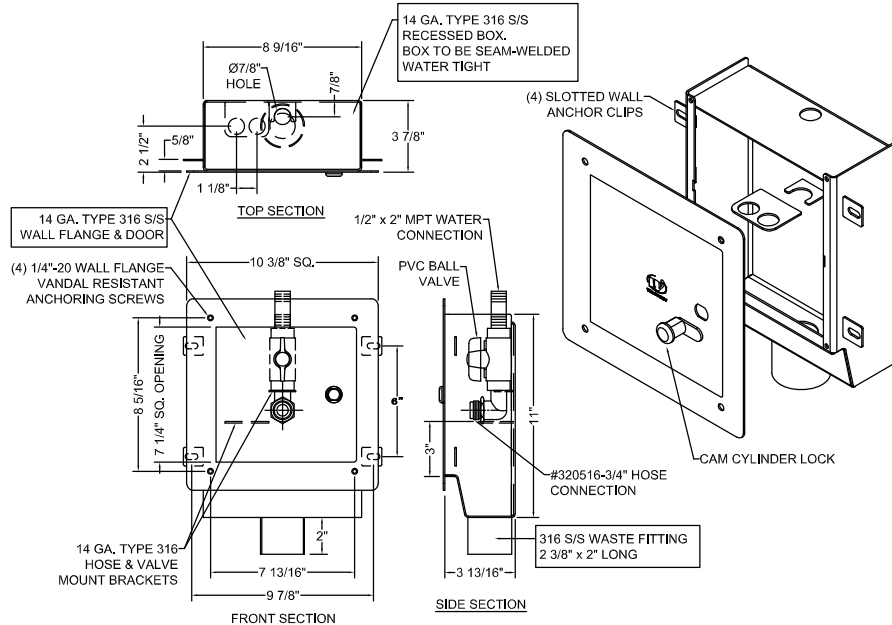
- SSVF Stainless Steel Ball Valves and Fittings
- Other _____
- Other _____

Approved For Manufacturing By: _____ Date: _____ Company: _____
 Wall Thickness: _____ Wall Type: _____

DB-8195



DB-8196



VERIFY ALL DIMENSIONS WITH FACTORY PRIOR TO ROUGH-IN
 WILLOUGHBY RESERVES THE RIGHT TO MAKE CHANGES IN DESIGN AND DIMENSIONS WITHOUT FORMAL NOTICE AND WITHOUT INCURRING OBLIGATION.

visit our website at www.willoughby-ind.com

5105 West 78th Street • Indianapolis, IN. 46268

(317) 875-0830 • Fax: (317) 875-0837 • (800) 428-4065



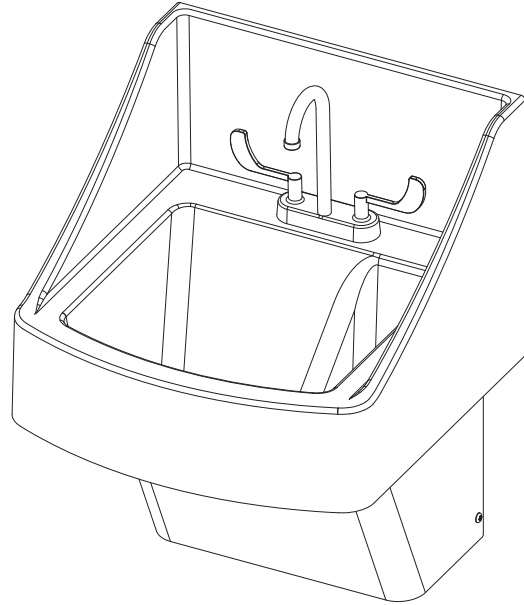
MADE IN THE U.S.A.



WICS-2222 Infection Control Hand Washing Sink A.D.A. Compliant



IN COMPLIANCE
WITH A.D.A. 2010



To specify fixture and accessories, use the Model Number and Options page.

Example: To specify an infection control hand washing sink with a stainless steel pedestal, 1.5 gpm non-aerating laminar outlet, 4" CC, rigid 3-1/2" gooseneck, wristblade faucet, in sandstone color

Use the following Willoughby Model Number:

WICS-2222-WB2-SS

Recommended Specifications

Wall-hung Infection Control Hand Washing Sink shall accommodate one user and is designed to minimize spread of infectious disease. ADA compliant solid surface sink shall be: Willoughby Model No. **WICS-2222**

The sink bowl with integral side and rear splash-guards shall be constructed of Aquasurf[®] molded cast polymer densified solid surface material composed of polyester/acrylic resin, UV stabilizer, aluminum trihydrate and mineral fillers. The Aquasurf[®] solid surface material is resistant to stains, impact and burns. Surface damage can be easily repaired with everyday cleansers and/or fine grit abrasives.

WICS-2222 sink shall be supplied with:

- Antimicrobial drain and tailpiece* (trap by others, an optional antimicrobial trap (AMT) is available*)
- 1.5 gpm non-aerating laminar outlet, 4" CC, rigid 3-1/2" gooseneck, wristblade faucet** (optional infrared (IR) faucet models and thermostatic mixing valve available)
- Fully welded wall hung pedestals for surface mounting (mounting hardware by others)
- One piece formed stainless steel trap cover w/ stainless steel mounting hardware

Infectious Control Features:

- Deep sink basin w/ sloped edges to minimize splashing
- Integral side and rear splash-guards to limit splash landing outside of bowl
- Offset sink drain to reduce aerosolization of trap contents
- Antimicrobial drain and tail piece to restrict growth and colonization of bacteria* (optional trap available)
- No overflow in sink basin to limit possible area for bacteria growth
- Engineered to meet or exceed requirements of CSA Z8000

ADA, TAS, UFAS, CSA Z8000 and Plumbing Standard

Compliant: When the lavatory is mounted at the standard adult rim height, it is designed to provide compliance with all applicable ADA, TAS, UFAS accessibility standards. Fixture complies to CSA Z8000. Fixture is certified to CSA B45, 5-11/IAPMO Z124-2011 harmonized plumbing standard.

Mounting:

The sink may be surface-mounted as supplied or supported by in-wall carriers supplied by others. Proper backing for surface-mounted sinks provided by others.

Optional Features:

Note: Plug-in transformer must be used with a ground fault interrupter (GFCI) receptacle to prevent possible electrical shock.

visit our website at www.willoughby-ind.com
5105 West 78th Street • Indianapolis, IN. 46268
(317) 875-0830 • Fax: (317) 875-0837 • (800) 428-4065



MADE IN THE U.S.A.

MODEL NUMBER AND OPTIONS:

1.) Lavatory Model:

- WICS-2222 Infection Control Hand Washing Sink

2.) Faucet:**

- WB2 1.5 gpm Laminar Flow, 4CC, Rigid 3-1/2" Gooseneck Wristblade Faucet (Standard)
- SSF Gooseneck Sensor Spout, Center Shank IR Operated, Laminar Flow (12v transformer is required)
- SSFB Gooseneck Sensor Spout, Center Shank IR (Battery Operated), Laminar Flow
- NV No Valve, No Faucet/Spout- Faucet by Others (Select Hole Punching if needed)

3.) Hole Drilling Selection (Faucet by Others):

NOTE: If hole drilling is required, please submit faucet for approval

- 4CC 4" Centerset, Ø1" Holes (Specify 2 or 3 holes:___)
- 8CC 8" Centerset, Ø1" Holes (Specify 2 or 3 holes:___)
- 1CC Center Shank, (1) Ø1" Hole
- SP Special Punching/Drilling (Specify hole punching dim.)
SP: _____

4.) Lavatory Deck Colors:

- BN Bone
- GW Glacier White
- GG Grey Granite
- SS Sandstone
- WG White Granite
- BG Black Granite
- NB Nocturnal Blue
- RC Red Coral
- SG Sea Green

5.) Options:

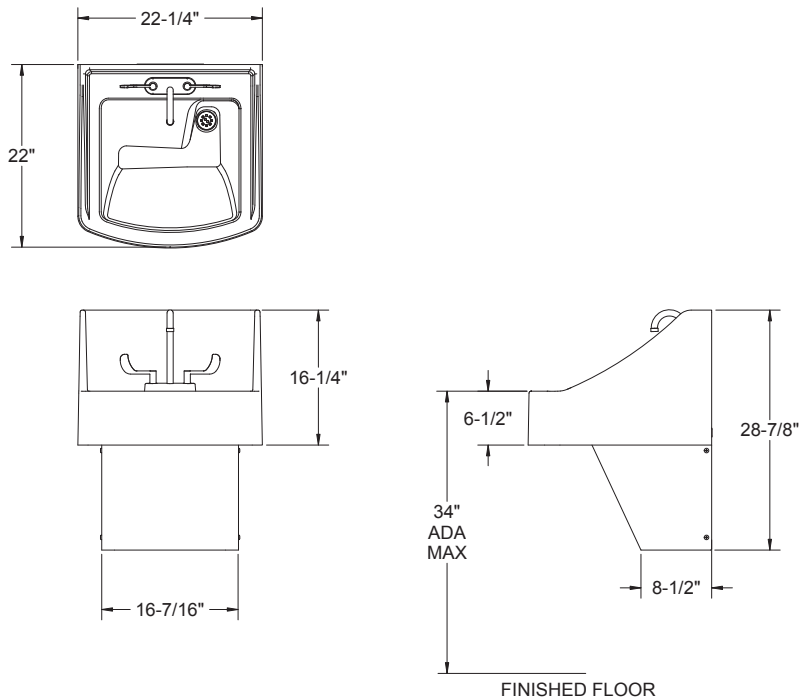
- TMV Inline Thermostatic Mixing Valve
- AMT Antimicrobial Trap*
- TF12PI 12v Plug-in Transformer (SSF faucet only)
- TF12HW 12v Hard-wire Transformer (SSF faucet only)

*Antimicrobial properties are built-in to inhibit the growth of bacteria that may affect this product. The antimicrobial properties do not protect users or others against bacteria, viruses, germs, or other disease organisms. Always use good hygienic cleaning practices.

****NOTICE: Faucet options for the WICS-2222 Infection Control Sink have been selected to specifically minimize splashing and aerosolization when used with the WICS-2222. Willoughby Industries will not be held liable for any unintended splashing resulting from use of a faucet not supplied by Willoughby Industries or without prior approval by Willoughby Industries.**

Approved For Manufacturing By: _____ Date: _____ Company: _____
Wall Thickness: _____ Wall Type: _____

VERIFY ALL DIMENSIONS WITH FACTORY PRIOR TO ROUGH-IN
WILLOUGHBY RESERVES THE RIGHT TO MAKE CHANGES IN DESIGN AND DIMENSIONS WITHOUT FORMAL NOTICE AND WITHOUT INCURRING OBLIGATION.



visit our website at www.willoughby-ind.com
5105 West 78th Street • Indianapolis, IN. 46268
(317) 875-0830 • Fax: (317) 875-0837 • (800) 428-4065



MADE IN THE U.S.A.

WODF-1 Series Outdoor Drinking Fountain

Recommended Specifications

Willoughby Model **WODF-1** outdoor drinking fountain is a single-level, vandal resistant drinking fountain with Type 304 stainless steel 10" Schedule-10 main column and 7 GA. flange.

Fountain shall have a high-polished, 18 GA. stainless steel bowl with anti-rotation, anti-squirt, solid stainless steel bubbler. Bubbler shall be activated by a pedestal-mounted solid stainless steel push button assembly, which controls a lead-free, self-closing valve.

Push button shall require less than 5 lbs. of force to operate. Push button shall be adjustable to ensure adequate flow without being wasteful. **WODF-1** fountain shall be lead-free, adhering to ANSI/NSF 61, Section 9 requirements.

Fountain is available in an ADA configuration that shall meet American Disabilities Act of 2010 (ADA) compliance requirements; see option (HC) on the following page.

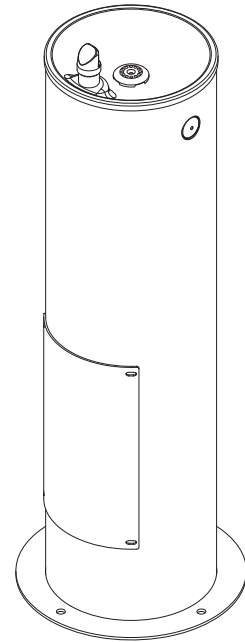
Standard Features

- * Heavy duty Type 304 stainless steel 10" Schedule-10 main column and 7 GA. flange
- * Optional marine-grade Type 316 stainless steel body for installations near salt water
- * High polished stainless steel bowl
- * Solid stainless steel, anti-rotation bubbler
- * Serviceable mesh strainer on inlet water supply
- * Heavy-duty main column access panel
- * Resistant to sunlight, heat and vandalism
- * Stainless steel adjustable push button

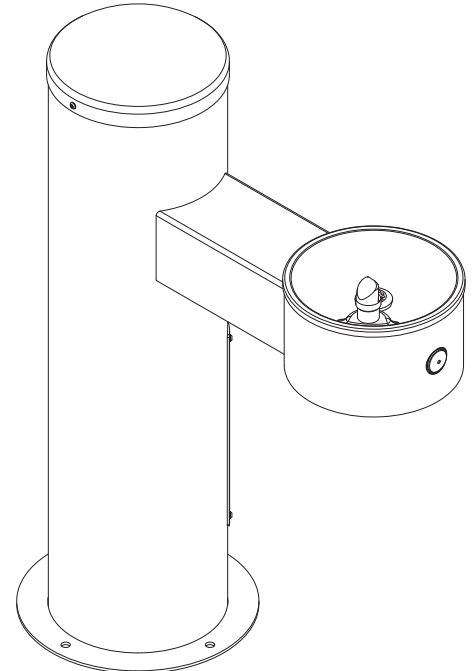
To specify fixture and color, use the Model Number and Options Guide.

Example: To specify a WODF-1 outdoor drinking fountain in Silver color

Use the following Willoughby Model Number: **WODF-1-SL**



WODF-1



WODF-1-HC

MODEL NUMBER AND OPTIONS:

1.) Outdoor Drinking Fountain Type:

- WODF-1 Single-bowl Outdoor Drinking Fountain

2.) Options:

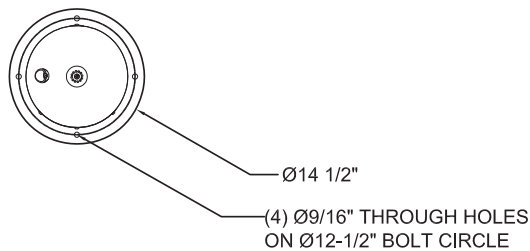
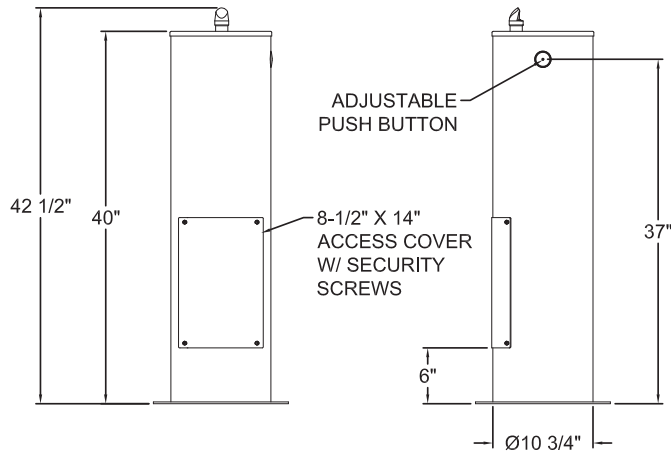
- HC Adult ADA Compliant Single-bowl Fountain
 316-1 316 Stainless Steel Body, Single
 CAR-1 Surface Carrier, Single
 SOV Shut Off Valve
 SCV Seasonal Bowl Cover (1)
 FRV-1 Freeze Resistant Valve System, Single
 JF Jug Filler
 HBE Hose Bibb Exposed
 HBLD Recessed Hose Bibb w/ Lock Door
 HBLD-SS Recessed Stainless Steel Hose Bibb w/ Lock Door
 FW Foot Wash

3.) Colors (select one):

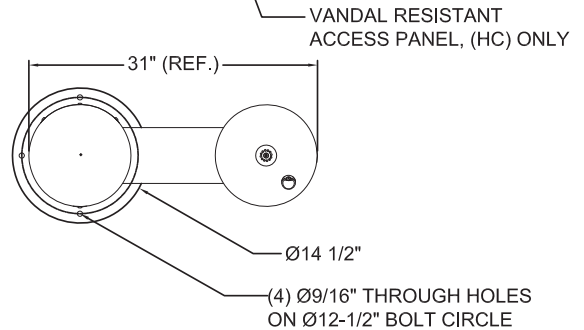
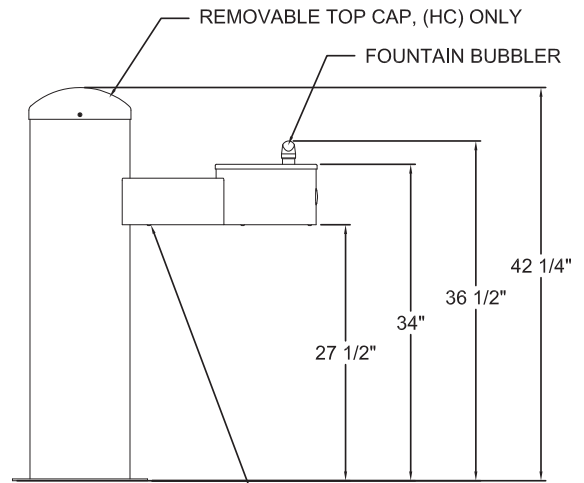
- SL Silver
 G Green
 R Red
 BL Blue
 O Orange
 V Violet
 Y Yellow
 BR Brown
 BK Black
 BE Beige
 W White

Approved For Manufacturing By: _____ Date: _____ Company: _____
 Wall Thickness: _____ Wall Type: _____

VERIFY ALL DIMENSIONS WITH FACTORY PRIOR TO ROUGH-IN
 WILLOUGHBY RESERVES THE RIGHT TO MAKE CHANGES IN DESIGN AND DIMENSIONS WITHOUT FORMAL NOTICE AND WITHOUT INCURRING OBLIGATION.



WODF-1



WODF-1-HC (ADA OPTION)

visit our website at www.willoughby-ind.com
 5105 West 78th Street • Indianapolis, IN. 46268
 (317) 875-0830 • Fax: (317) 875-0837 • (800) 428-4065



MADE IN THE U.S.A.



WODF-2 Series Outdoor Drinking Fountain

Recommended Specifications

Willoughby Model **WODF-2** outdoor drinking fountain is a dual-level, vandal resistant drinking fountain with Type 304 stainless steel 10" Schedule-10 main column and 7 GA. flange.

Fountain shall have high-polished, 18 GA. stainless steel bowls with anti-rotation, anti-squirt, solid stainless steel bubblers. Bubblers shall be activated by pedestal mounted solid stainless steel push button assemblies, which control lead-free, self-closing valves.

Push buttons shall require less than 5 lbs. of force to operate. Push buttons shall be adjustable to ensure adequate flow without being wasteful. **WODF-2** fountain shall be lead-free, adhering to ANSI/NSF 61, Section 9, ANSI A117.1. Fixtures in (HC) and (CHD) configurations shall meet American Disabilities Act of 2010 (ADA) compliance requirements.

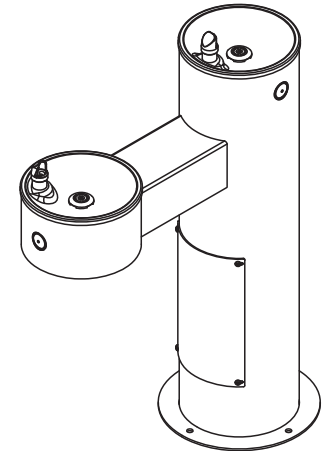
Standard Features

- * Adult ADA and Child (JR.) ADA compliant fixture configurations available
- * Heavy duty Type 304 stainless steel 10" Schedule-10 main column and 7 GA. flange
- * Optional marine-grade Type 316 stainless steel body for installations near salt water
- * High polished stainless steel bowls
- * Solid stainless steel, anti-rotation bubblers
- * Serviceable mesh strainer on inlet water supply
- * Heavy-duty main column access panel
- * Resistant to sunlight, heat and vandalism
- * Stainless steel adjustable push buttons

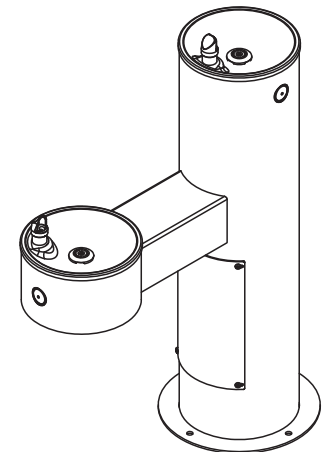
To specify fixture and color, use the Model Number and Options Guide.

Example: To specify a WODF-2 outdoor drinking fountain with Child-height (JR. ADA) bowl, in Green color

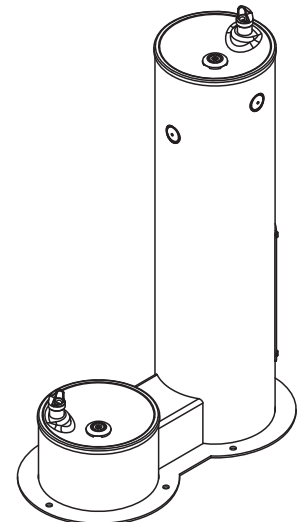
Use the following Willoughby Model Number: **WODF-2-CHD-G**



WODF-2-HC



WODF-2-CHD



WODF-2-PET

visit our website at www.willoughby-ind.com
5105 West 78th Street • Indianapolis, IN. 46268
(317) 875-0830 • Fax: (317) 875-0837 • (800) 428-4065



MADE IN THE U.S.A.

MODEL NUMBER AND OPTIONS:

1.) Outdoor Drinking Fountain Type:

- WODF-2 Two-bowl Outdoor Drinking Fountain

2.) Bowl Height (other than main column bowl):

- HC Adult ADA Compliant
 CHD Child (JR. ADA Compliant)
 PET Pet

3.) Options:

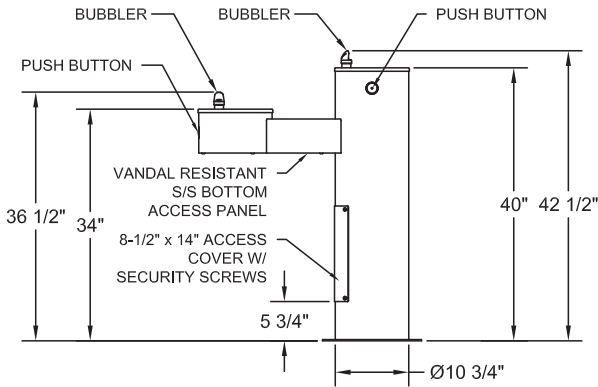
- 316-2 316 Stainless Steel Body, Double
 CAR-1 Surface Carrier, Single
 CAR-2 Surface Carrier, Double
 SOV Shut Off Valve
 SCV Seasonal Bowl Covers (2)
 FRV-2 Freeze Resistant Valve System, Double
 JF Jug Filler
 HBE Hose Bibb Exposed
 HBLD Recessed Hose Bibb w/ Lock Door
 HBLD-SS Recessed Stainless Steel Hose Bibb w/ Lock Door
 FW Foot Wash

4.) Colors (select one):

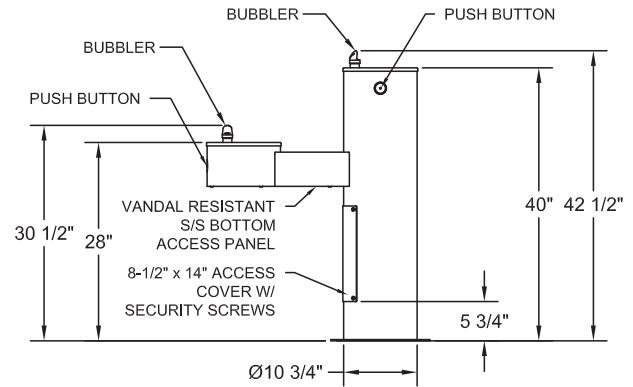
- SL Silver
 G Green
 R Red
 BL Blue
 O Orange
 V Violet
 Y Yellow
 BR Brown
 BK Black
 BE Beige
 W White

Approved For Manufacturing By: _____ Date: _____ Company: _____
 Wall Thickness: _____ Wall Type: _____

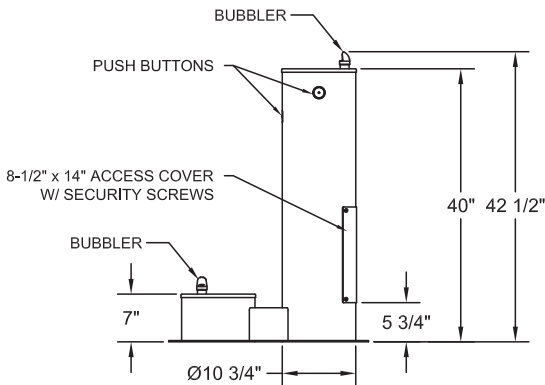
VERIFY ALL DIMENSIONS WITH FACTORY PRIOR TO ROUGH-IN
 WILLOUGHBY RESERVES THE RIGHT TO MAKE CHANGES IN DESIGN AND DIMENSIONS WITHOUT FORMAL NOTICE AND WITHOUT INCURRING OBLIGATION.



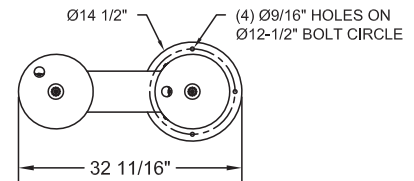
WODF-2-HC



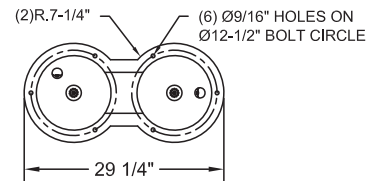
WODF-2-CHD



WODF-2-PET



WODF-2-HC &
WODF-2-CHD



WODF-2-PET

visit our website at www.willoughby-ind.com
 5105 West 78th Street • Indianapolis, IN. 46268
 (317) 875-0830 • Fax: (317) 875-0837 • (800) 428-4065



MADE IN THE U.S.A.

WODF-3 Series Outdoor Drinking Fountain

Recommended Specifications

Willoughby Model **WODF-3** outdoor drinking fountain is a triple-level, vandal resistant drinking fountain with Type 304 stainless steel 10" Schedule-10 main column and 7 GA. flange.

Fountain shall have high-polished, 18 GA. stainless steel bowls with anti-rotation, anti-squirt, solid stainless steel bubblers. Bubblers shall be activated by pedestal mounted solid stainless steel push button assemblies, which control lead-free, self-closing valves.

Push buttons shall require less than 5 lbs. of force to operate. Push buttons shall be adjustable to ensure adequate flow without being wasteful. **WODF-3** fountain shall be lead-free, adhering to ANSI/NSF 61, Section 9, ANSIA117.1. Fixtures in (HC) and (CHD) configurations shall meet American Disabilities Act of 2010 (ADA) compliance requirements.

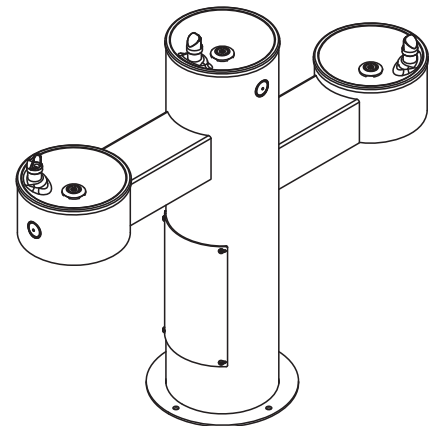
Standard Features

- * Adult ADA and Child (JR.) ADA compliant fixture configurations available
- * Heavy duty Type 304 stainless steel 10" Schedule-10 main column and 7 GA. flange
- * Optional marine-grade Type 316 stainless steel body for installations near salt water
- * High polished stainless steel bowls
- * Solid stainless steel, anti-rotation bubblers
- * Serviceable mesh strainer on inlet water supply
- * Heavy-duty main column access panel
- * Resistant to sunlight, heat and vandalism
- * Stainless steel adjustable push buttons

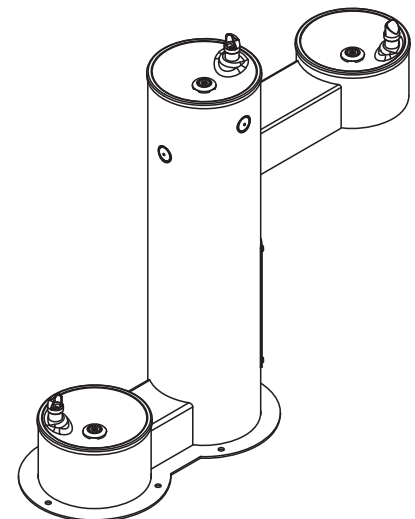
To specify fixture and color, use the Model Number and Options Guide.

Example: To specify a WODF-3 outdoor drinking fountain with Adult ADA and Child-height (JR. ADA) bowls, in Red color

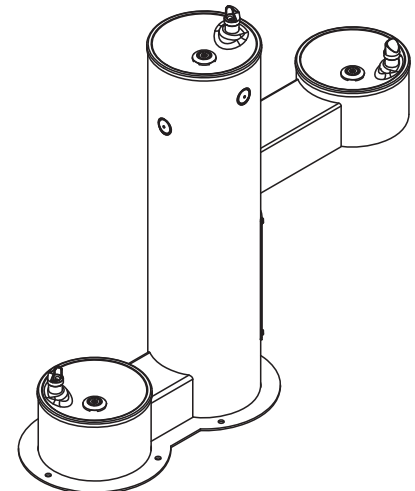
Use the following Willoughby Model Number: **WODF-3-HC-CHD-R**



WODF-3-HC-CHD



WODF-3-HC-PET



WODF-3-CHD-PET

MODEL NUMBER AND OPTIONS:

1.) Outdoor Drinking Fountain Type:

WODF-3 Three-bowl Outdoor Drinking Fountain

2.) Bowl Height (other than main column bowl, select two):

HC Adult ADA Compliant
 CHD Child (JR. ADA Compliant)
 PET Pet

3.) Options:

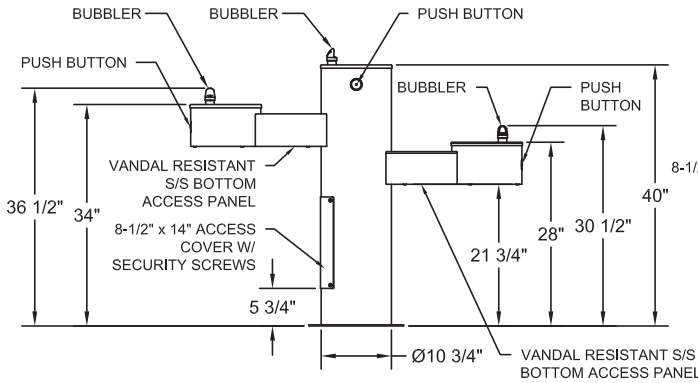
316-3 316 Stainless Steel Body, Triple
 CAR-1 Surface Carrier, Single
 CAR-2 Surface Carrier, Double
 SOV Shut Off Valve
 SCV Seasonal Bowl Covers (3)
 FRV-3 Freeze Resistant Valve System, Triple
 JF Jug Filler
 HBE Hose Bibb Exposed
 HBLD Recessed Hose Bibb W/Lock Door
 HBLD-SS Recessed Stainless Steel Hose Bibb w/ Lock Door
 FW Foot Wash

4.) Colors (select one):

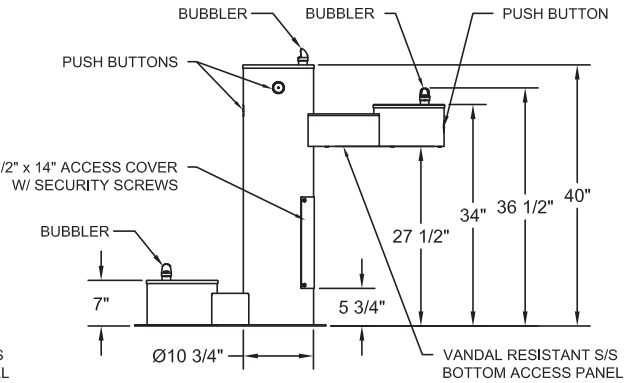
SL Silver
 G Green
 R Red
 BL Blue
 O Orange
 V Violet
 Y Yellow
 BR Brown
 BK Black
 BE Beige
 W White

Approved For Manufacturing By: _____ Date: _____ Company: _____
 Wall Thickness: _____ Wall Type: _____

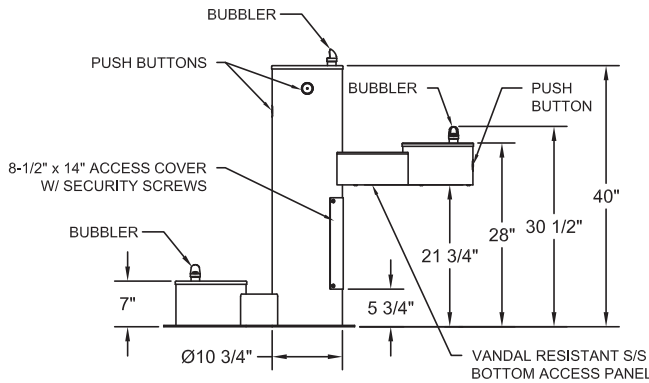
VERIFY ALL DIMENSIONS WITH FACTORY PRIOR TO ROUGH-IN
 WILLOUGHBY RESERVES THE RIGHT TO MAKE CHANGES IN DESIGN AND DIMENSIONS WITHOUT FORMAL NOTICE AND WITHOUT INCURRING OBLIGATION.



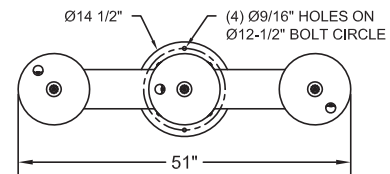
WODF-3-HC-CHD



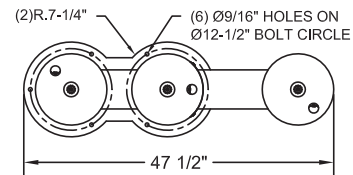
WODF-3-HC-PET



WODF-3-CHD-PET



WODF-3-HC-CHD



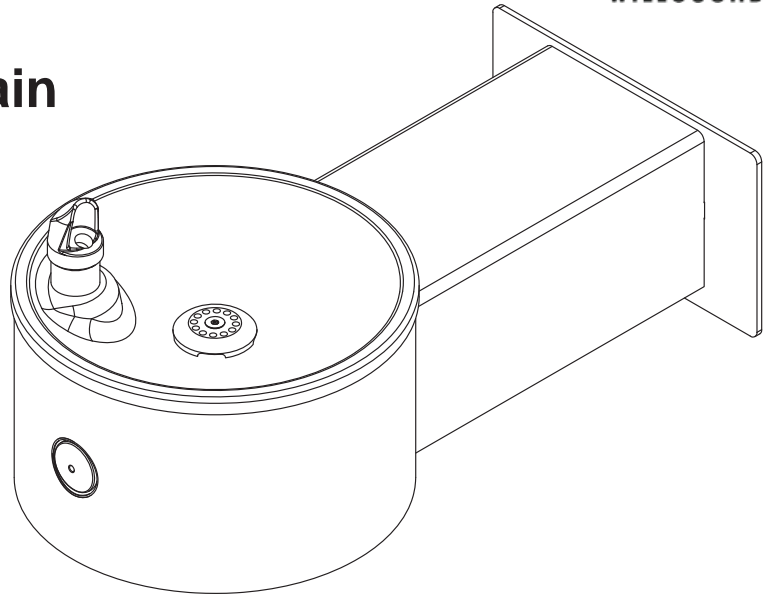
WODF-3-HC-PET &
WODF-3-CHD-PET

visit our website at www.willoughby-ind.com
 5105 West 78th Street • Indianapolis, IN. 46268
 (317) 875-0830 • Fax: (317) 875-0837 • (800) 428-4065



MADE IN THE U.S.A.

WODF-1WM Series Wall Mounted Outdoor Drinking Fountain



Recommended Specifications

Willoughby Model **WODF-1WM** wall mounted outdoor drinking fountain is a single-level, vandal resistant drinking fountain with Type 304 stainless steel 10" Schedule-10 main column and 7 GA. flange.

Fountain shall have high-polished, 18 GA. stainless steel bowl with anti-rotation, anti-squirt, solid stainless steel bubbler. Bubbler shall be activated by pedestal mounted solid stainless steel push button assembly, which controls a lead-free, self-closing valve.

Push button shall require less than 5 lbs. of force to operate. Push button shall be adjustable to ensure adequate flow without being wasteful. **WODF-1WM** fountain shall be lead-free, adhering to ANSI/NSF 61, Section 9, ANSIA117.1.

When the drinking fountain bowl is mounted at an appropriate height (34" max A.F.F. for Adult ADA, 31" max A.F.F. for JR. ADA), it shall meet American Disabilities Act of 2010 (ADA) compliance requirements.

Standard Features

- * Adult ADA or Child (JR.) ADA compliant
- * 5/32" wall thickness stainless steel wall column
- * Heavy duty Type 304 stainless steel 10" Schedule-10 main column and 7 GA. flange
- * Optional marine-grade Type 316 stainless steel body for installations near salt water
- * High polished stainless steel bowl
- * Solid stainless steel, anti-rotation bubbler
- * Serviceable mesh strainer on inlet water supply
- * Heavy-duty main access panel
- * Resistant to sunlight, heat and vandalism
- * Stainless steel adjustable push button

To specify fixture and color, use the Model Number and Options Guide.

Example: To specify a WODF-1WM wall mounted outdoor drinking fountain in Blue color

Use the following Willoughby Model Number: **WODF-1WM-BL**

visit our website at www.willoughby-ind.com
5105 West 78th Street • Indianapolis, IN. 46268
(317) 875-0830 • Fax: (317) 875-0837 • (800) 428-4065



MADE IN THE U.S.A.

MODEL NUMBER AND OPTIONS:

1.) Outdoor Drinking Fountain Type:

- WODF-1WM Wall Mounted Outdoor Drinking Fountain

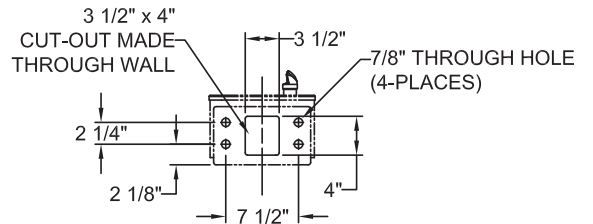
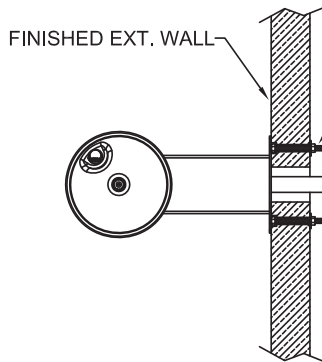
2.) Options:

- 316-1 316 Stainless Steel Body, Single
 SCV Seasonal Bowl Cover (1)

3.) Colors (select one):

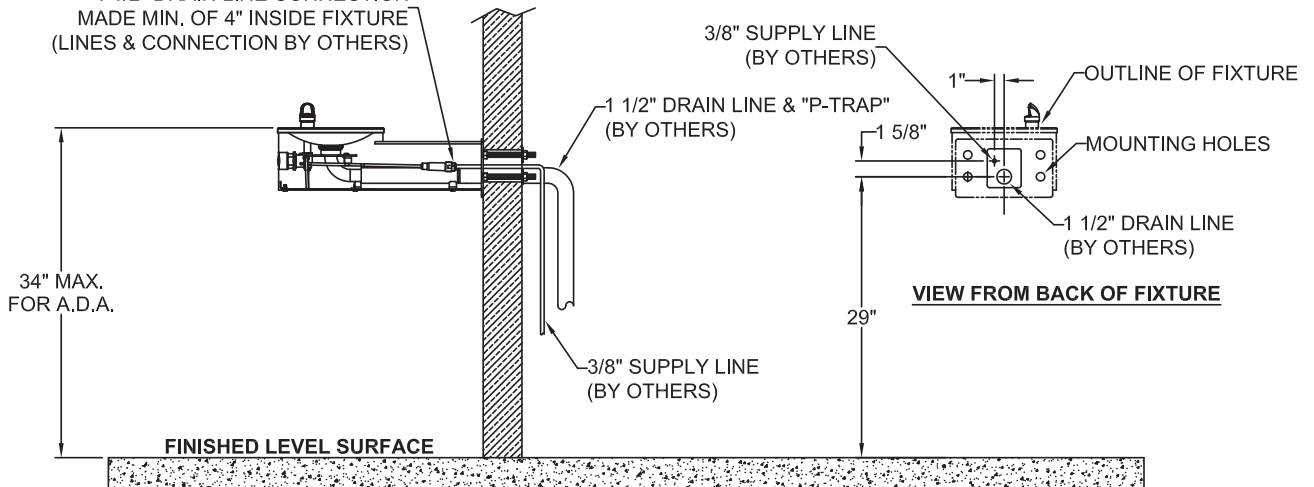
- SL Silver
 G Green
 R Red
 BL Blue
 O Orange
 V Violet
 Y Yellow
 BR Brown
 BK Black
 BE Beige
 W White

Approved For Manufacturing By: _____ Date: _____ Company: _____
 Wall Thickness: _____ Wall Type: _____



BOLT SPACING AND WALL CUT-OUT DETAILS

NOTE: 3/8" SUPPLY LINE CONNECTION & 1 1/2" DRAIN LINE CONNECTION MADE MIN. OF 4" INSIDE FIXTURE (LINES & CONNECTION BY OTHERS)



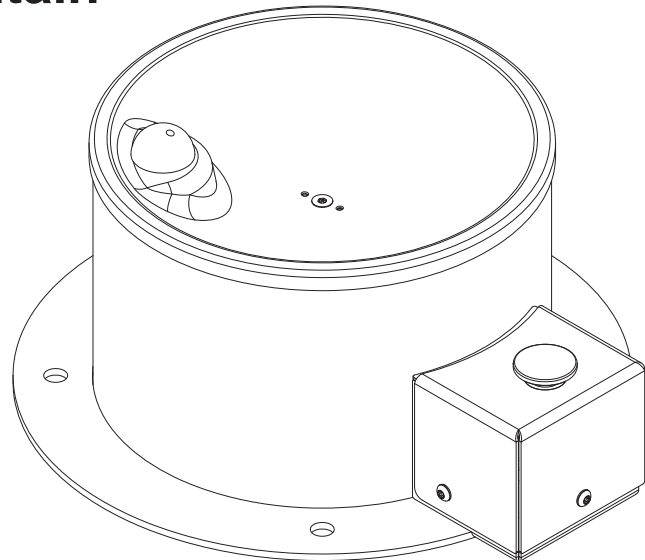
VERIFY ALL DIMENSIONS WITH FACTORY PRIOR TO ROUGH-IN
 WILLOUGHBY RESERVES THE RIGHT TO MAKE CHANGES IN DESIGN AND DIMENSIONS WITHOUT FORMAL NOTICE AND WITHOUT INCURRING OBLIGATION.

visit our website at www.willoughby-ind.com
 5105 West 78th Street • Indianapolis, IN. 46268
 (317) 875-0830 • Fax: (317) 875-0837 • (800) 428-4065



MADE IN THE U.S.A.

WODF-1-PET Series Outdoor Pet Drinking Fountain



Recommended Specifications

Willoughby Model **WODF-1-PET** outdoor pet drinking fountain is a single-level, vandal resistant drinking fountain with Type 304 stainless steel 10" Schedule-10 main column and 7 GA. flange.

Fountain shall have high-polished, 18 GA. stainless steel bowl with anti-rotation, anti-squirt, solid stainless steel bubbler. Bubbler shall be activated by pedestal mounted solid stainless steel foot-operated push button assembly, which controls a lead-free, self-closing valve.

Push button shall require less than 5 lbs. of force to operate. Push button shall be adjustable to ensure adequate flow without being wasteful. **WODF-1-PET** fountain shall be lead-free, adhering to ANSI/NSF 61, Section 9, ANSI A117.1.

Standard Features

- * Heavy duty Type 304 stainless steel 10" Schedule-10 main column and 7 GA. flange
- * Optional marine-grade Type 316 stainless steel body for installations near salt water
- * High polished stainless steel bowl
- * Solid stainless steel, anti-rotation bubbler
- * Serviceable mesh strainer on inlet water supply
- * Resistant to sunlight, heat and vandalism
- * Stainless steel adjustable push button
- * Integral slow drain

To specify fixture and color, use the Model Number and Options Guide.

Example: To specify a WODF-1-PET outdoor pet drinking fountain in Orange color

Use the following Willoughby Model Number: **WODF-1-PET-O**

visit our website at www.willoughby-ind.com

5105 West 78th Street • Indianapolis, IN. 46268

(317) 875-0830 • Fax: (317) 875-0837 • (800) 428-4065



MADE IN THE U.S.A.

MODEL NUMBER AND OPTIONS:

1.) Outdoor Drinking Fountain Type:

WODF-1-PET Outdoor Pet Drinking Fountain

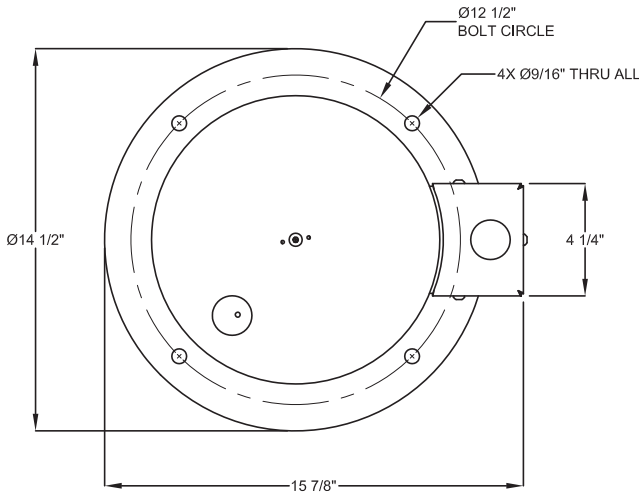
2.) Options:

- 316-1 316 Stainless Steel Body, Single
- CAR-1 Surface Carrier, Single
- SOV Shut Off Valve
- SCV Seasonal Bowl Cover (1)
- FRV-1 Freeze Resistant Valve System, Single

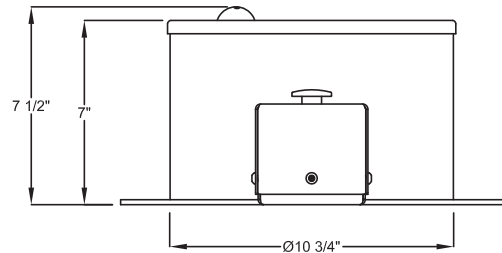
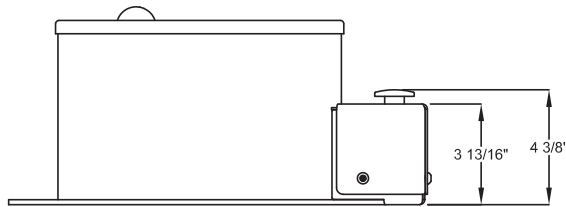
3.) Colors (select one):

- SL Silver
- G Green
- R Red
- BL Blue
- O Orange
- V Violet
- Y Yellow
- BR Brown
- BK Black
- BE Beige
- W White

Approved For Manufacturing By: _____ Date: _____ Company: _____
 Wall Thickness: _____ Wall Type: _____



VERIFY ALL DIMENSIONS WITH FACTORY PRIOR TO ROUGH-IN
 WILLOUGHBY RESERVES THE RIGHT TO MAKE CHANGES IN DESIGN AND DIMENSIONS WITHOUT FORMAL NOTICE AND WITHOUT INCURRING OBLIGATION.

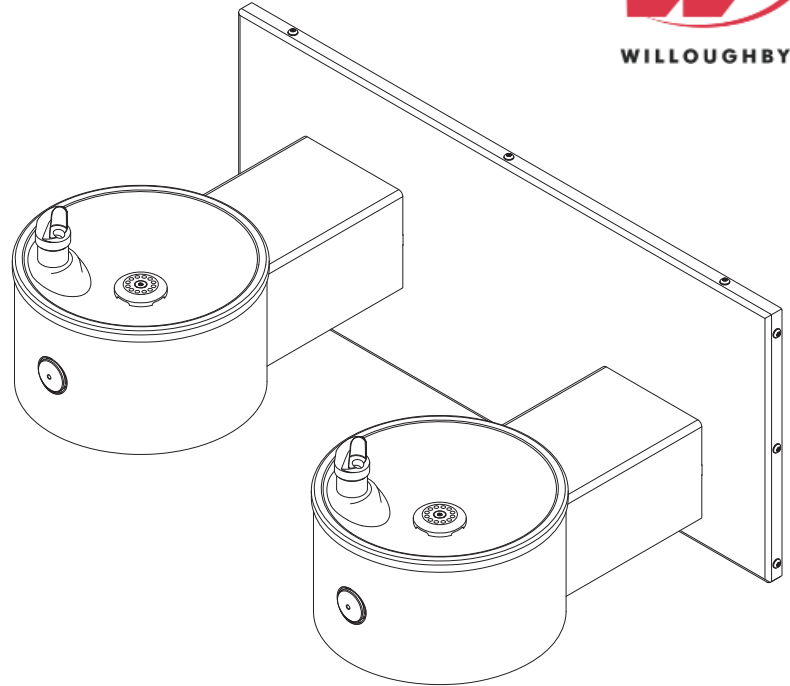


visit our website at www.willoughby-ind.com
 5105 West 78th Street • Indianapolis, IN. 46268
 (317) 875-0830 • Fax: (317) 875-0837 • (800) 428-4065



MADE IN THE U.S.A.

WODF-2WM Series Wall Mounted Two Station Outdoor Drinking Fountain



Recommended Specifications

Willoughby Model **WODF-2WM** wall mounted two station outdoor drinking fountain is a dual-level, vandal resistant drinking fountain with Type 304 stainless steel 10" Schedule-10 fountain bodies.

Fountains shall have high-polished, 18 GA. stainless steel bowls with anti-rotation, anti-squirt, solid stainless steel bubblers. Bubblers shall be activated by pedestal mounted solid stainless steel push button assemblies, which control lead-free, self-closing valves.

Push button shall require less than 5 lbs. of force to operate. Push button shall be adjustable to ensure adequate flow without being wasteful. **WODF-2WM** fountain shall be lead-free, adhering to ANSI/NSF 61, Section 9, ANSIA117.1.

When the fixture is correctly mounted, the respective drinking fountain bowls shall meet American Disabilities Act of 2010 (ADA) compliance requirements (34" max A.F.F. for Adult ADA, 31" max A.F.F. for JR. ADA).

Standard Features

- * Adult ADA and Child (JR.) ADA compliant
- * 5/32" wall thickness stainless steel wall columns
- * Heavy duty Type 304 stainless steel 10" Schedule-10 main columns
- * Optional marine-grade Type 316 stainless steel body for installations near salt water
- * High polished stainless steel bowls
- * Solid stainless steel, anti-rotation bubblers
- * Serviceable mesh strainer on inlet water supply
- * Heavy-duty wall mounting frame
- * Resistant to sunlight, heat, and vandalism
- * Stainless steel adjustable push buttons

To specify fixture and color, use the Model Number and Options Guide.
Example: To specify a WODF-2WM wall mounted two station outdoor drinking fountain in Beige color
Use the following Willoughby Model Number: **WODF-2WM-BE**

visit our website at www.willoughby-ind.com
5105 West 78th Street • Indianapolis, IN. 46268
(317) 875-0830 • Fax: (317) 875-0837 • (800) 428-4065



MADE IN THE U.S.A.

MODEL NUMBER AND OPTIONS:

1.) Outdoor Drinking Fountain Type:

- WODF-2WM Wall Mounted Two Station Outdoor Drinking Fountain

2.) Options:

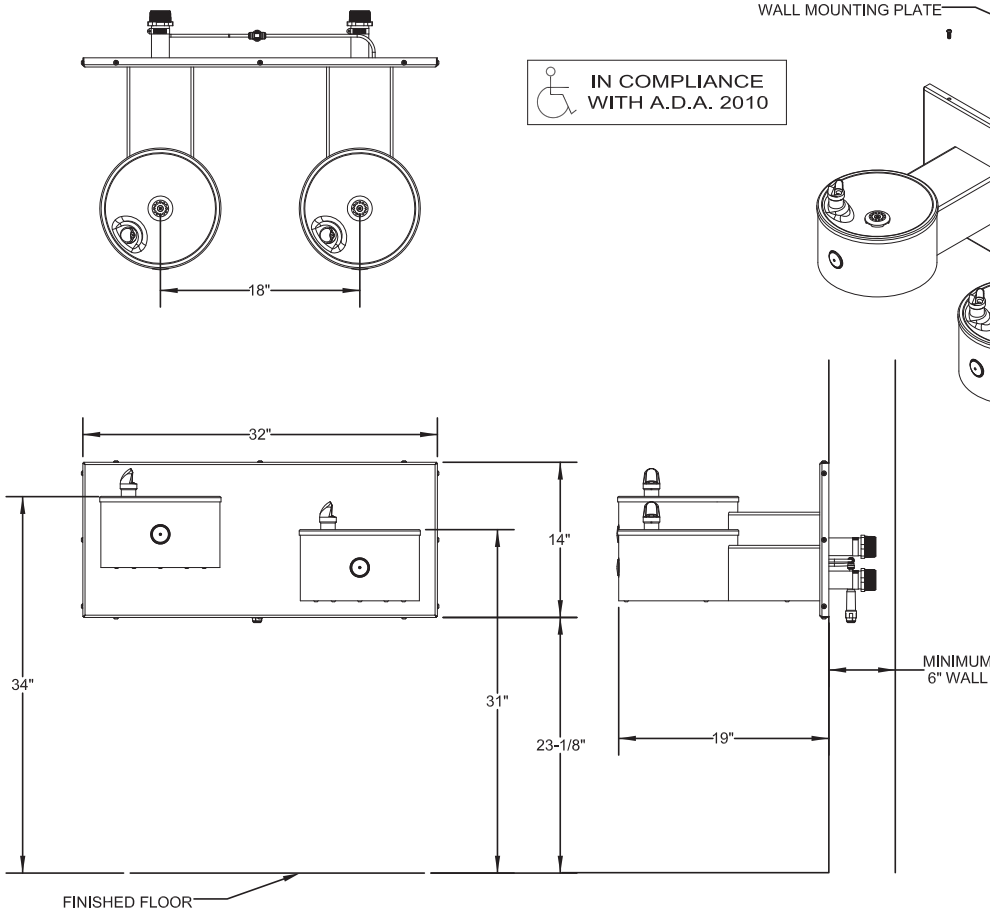
- 316-1 316 Stainless Steel Body, Single
- SCV Seasonal Bowl Covers (2)

3.) Colors (select one):

- SL Silver
- G Green
- R Red
- BL Blue
- O Orange
- V Violet
- Y Yellow
- BR Brown
- BK Black
- BE Beige
- W White

Approved For Manufacturing By: _____ Date: _____ Company: _____
 Wall Thickness: _____ Wall Type: _____

VERIFY ALL DIMENSIONS WITH FACTORY PRIOR TO ROUGH-IN
 WILLOUGHBY RESERVES THE RIGHT TO MAKE CHANGES IN DESIGN AND DIMENSIONS WITHOUT FORMAL NOTICE AND WITHOUT INCURRING OBLIGATION.



visit our website at www.willoughby-ind.com
 5105 West 78th Street • Indianapolis, IN. 46268
 (317) 875-0830 • Fax: (317) 875-0837 • (800) 428-4065



MADE IN THE U.S.A.

CWBF-1 Series Outdoor Bottle Filler

To specify fixture and options, use the Model Number and Options page.

Example: To specify a CWBF-1 outdoor bottle filler with recessed pushbutton, and 316 stainless steel body/cap/flange in Green color,

Use the following Willoughby Model Number: **CWBF-1-RPB-316 -G**

Standard Features

- * Simple, vandal-resistant push button or optional infrared operation
- * Quick, 1-gallon-per-minute fill rate
- * One-piece fully-welded construction
- * Standard heavy duty type 304 stainless steel 8" Sched. 10 main column and 11 Ga. flange
- * Optional marine-grade type 316 stainless steel body for installations near salt water
- * Solid stainless steel vandal resistant anti-rotation filler spout
- * Replaceable in-line charcoal filter on inlet water supply
- * Heavy-duty main column access panels
- * Promotes use of environmentally friendly refillable bottles, reducing use of disposable bottles
- * Compliant to ADA reach height guidelines

Recommended Specifications

Outdoor bottle filler shall be Willoughby Model No. **CWBF-1-___** (see Model Number and Options guide for actuator selection).

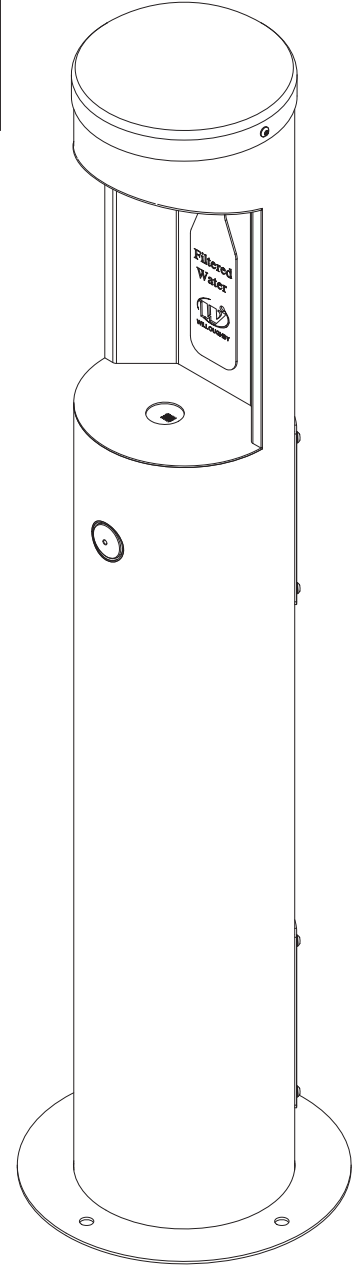
Model **CWBF-1** outdoor bottle filler shall be a single-level, vandal resistant drinking fountain with 304 stainless steel 8" Sched. 10 main column and 11 Ga. flange.

Filler spout shall be activated by a recessed mounted solid stainless steel pushbutton assembly which controls a lead-free, self-closing valve (optional battery operated infrared activation available). Pushbutton operation shall require less than 5 lbs. of force.

Flow controls (1.0 GPM) are used to ensure adequate flow without being wasteful.

Model **CWBF-1** bottle filler shall be lead-free and in compliance with ANSI/NSF 61, Section 9 requirements.

Optional 316 stainless steel body (main column, flange, and cap) are available for applications in which the unit's exterior may come into contact with salt water.



MODEL NUMBER AND OPTIONS:

1.) Outdoor Drinking Fountain Type:

CWBF-1

2.) Actuator options (select one):

RPB Recessed Push Button
 BO Battery Operated Infrared Sensor

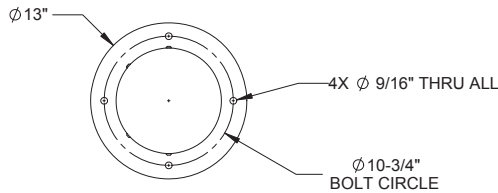
3.) Options:

316-1 316 Stainless Steel Body, Single
 CAR-1 Surface Carrier, Single
 SOV Shut Off Valve
 FRV-1 Freeze Resistant Valve System, Single

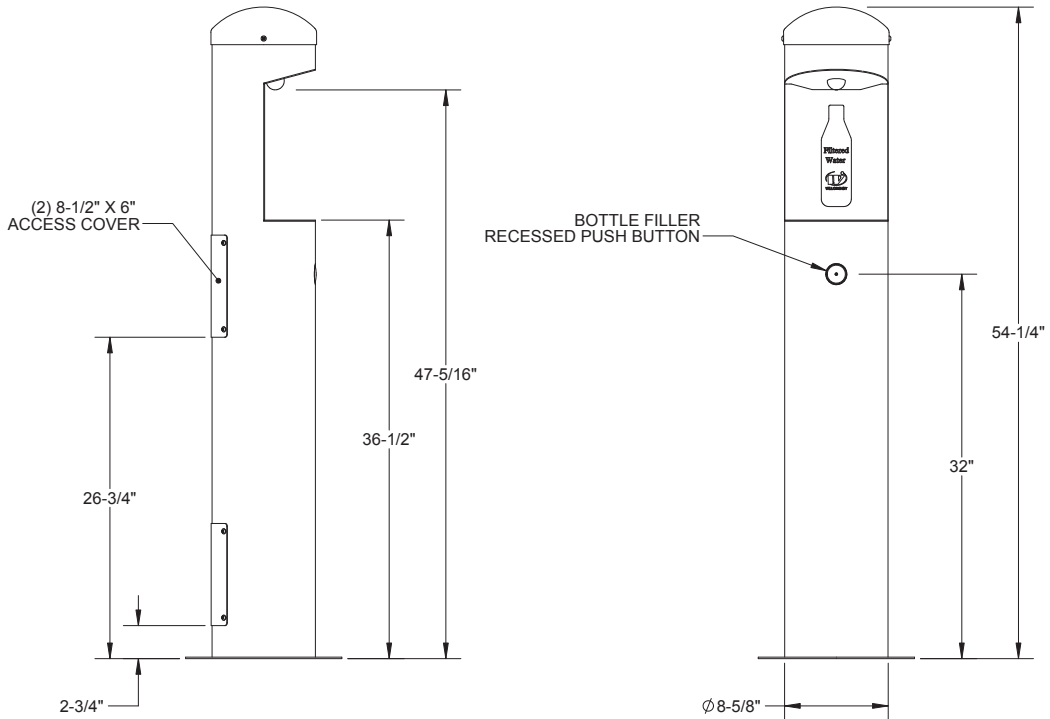
4.) Colors (select one):

SL Silver
 G Green
 R Red
 BL Blue
 O Orange
 V Violet
 Y Yellow
 BR Brown
 BK Black
 BE Beige
 W White

Approved For Manufacturing By: _____ Date: _____ Company: _____
 Wall Thickness: _____ Wall Type: _____



VERIFY ALL DIMENSIONS WITH FACTORY PRIOR TO ROUGH-IN
 WILLOUGHBY RESERVES THE RIGHT TO MAKE CHANGES IN DESIGN AND DIMENSIONS WITHOUT FORMAL NOTICE AND WITHOUT INCURRING OBLIGATION.



visit our website at www.willoughby-ind.com
 5105 West 78th Street • Indianapolis, IN. 46268
 (317) 875-0830 • Fax: (317) 875-0837 • (800) 428-4065



MADE IN THE U.S.A.



CWBF-2 Series Outdoor Bottle Filler w/Drinking Fountain

To specify fixture and options, use the Model Number and Options page.

Example: To specify a CWBF-2 outdoor bottle filler with drinking fountain with recessed pushbutton, child drinking fountain bowl height, and 316 stainless steel body/cap/flange in Blue color,

Use the following Willoughby Model Number: **CWBF-2-RPB-CHD-316-BL**

Standard Features

- * Adult and Child A.D.A. compliant
- * Compliant to ADA reach height guidelines
- * Quick, 1-gallon-per-minute bottle fill rate
- * One-piece fully-welded construction
- * Standard heavy duty type 304 stainless steel 8" Sched. 10 main column and 11 Ga. flange
- * Optional marine-grade type 316 stainless steel body for installations near salt water
- * Solid stainless steel vandal resistant anti-rotation bottle filler spout
- * Solid stainless steel, anti-rotation drinking fountain bubbler
- * High polished stainless steel bowl
- * Replaceable in-line charcoal filter on inlet water supply
- * Heavy-duty main column access panels
- * Resistant to sunlight, heat, and vandalism
- * Promotes use of environmentally friendly refillable bottles, reducing use of disposable bottles

Recommended Specifications

Outdoor bottle filler with drinking fountain shall be Willoughby Model No. **CWBF-2-___** (see Model Number and Options guide for actuator selection).

Model **CWBF-2** outdoor bottle filler with drinking fountain shall be a dual-level, vandal resistant drinking fountain with 304 stainless steel 8" Sched. 10 main column and 11 Ga. flange.

Bottle filler spout and fountain bubbler shall be activated by separate recessed mounted solid stainless steel pushbutton assemblies (optional battery operated infrared activation available for bottle filler spout).

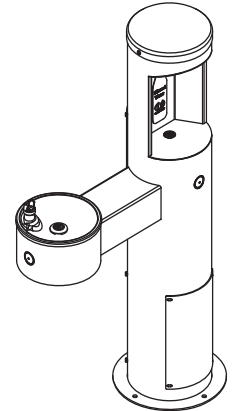
Drinking fountain shall have high-polished, 18 gauge stainless steel bowl with anti-rotation, anti-squirt, solid stainless steel bubblers.

All pushbuttons control lead-free, self-closing valves. Pushbutton operation shall require less than 5 lbs. of force.

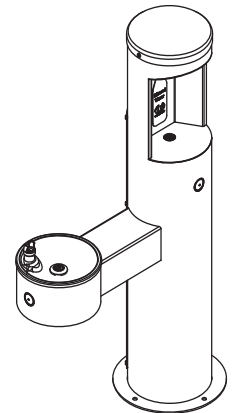
Flow controls are used to ensure adequate flow without being wasteful. Bottle filler flows 1.0 GPM, drinking fountain flows 0.5 GPM.

Model **CWBF-2** fountain shall be lead-free, adhering to ANSI/NSF 61, Section 9, ANSI A117.1 and American Disabilities Act of 2010 requirements.

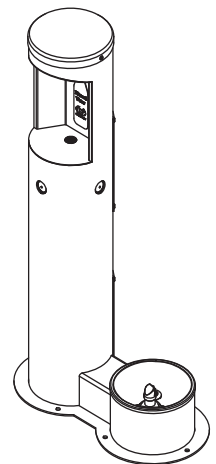
Optional 316 stainless steel body (main column, flange, and cap) are available for applications in which the unit's exterior may come into contact with salt water.



CWBF-2-RPB-HC



CWBF-2-RPB-CHD



CWBF-2-RPB-PET

visit our website at www.willoughby-ind.com
5105 West 78th Street • Indianapolis, IN. 46268
(317) 875-0830 • Fax: (317) 875-0837 • (800) 428-4065



MADE IN THE U.S.A.

MODEL NUMBER AND OPTIONS:

1.) Outdoor Bottle Filler Type:

- CWBF-2

2.) Bottle Filler Actuator Options (select one):

- RPB Recessed Push Button
 BO Battery Operated Infrared Sensor

3.) Drinking Fountain Bowl Height (select one):

- HC Adult A.D.A.
 CHD Child
 PET Pet

4.) Options:

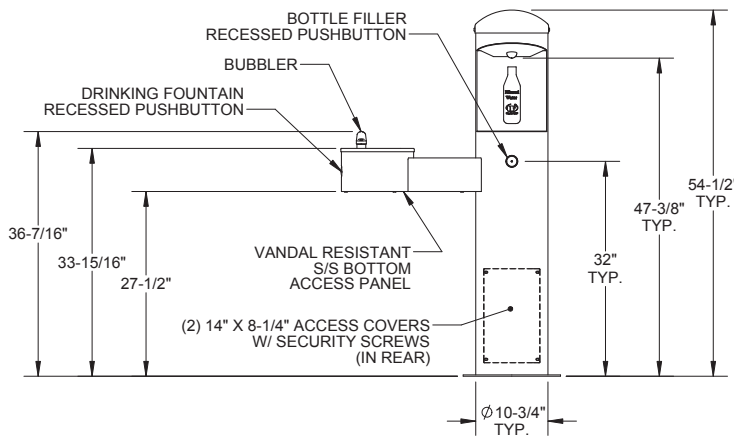
- 316-2 316 Stainless Steel Body, Double
 CAR-1 Surface Carrier, Single
 CAR-2 Surface Carrier, Double
 SOV Shut Off Valve
 SCV Seasonal Bowl Cover (1)
 FRV-2 Freeze Resistant Valve System, Dual

5.) Colors (select one):

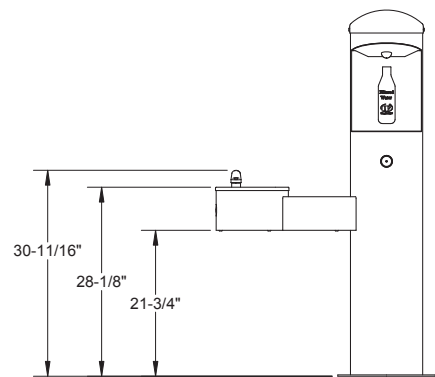
- SL Silver
 G Green
 R Red
 BL Blue
 O Orange
 V Violet
 Y Yellow
 BR Brown
 BK Black
 BE Beige
 W White

Approved For Manufacturing By: _____ Date: _____ Company: _____
 Wall Thickness: _____ Wall Type: _____

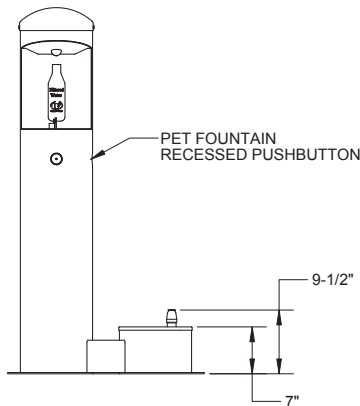
VERIFY ALL DIMENSIONS WITH FACTORY PRIOR TO ROUGH-IN
 WILLOUGHBY RESERVES THE RIGHT TO MAKE CHANGES IN DESIGN AND DIMENSIONS WITHOUT FORMAL NOTICE AND WITHOUT INCURRING OBLIGATION.



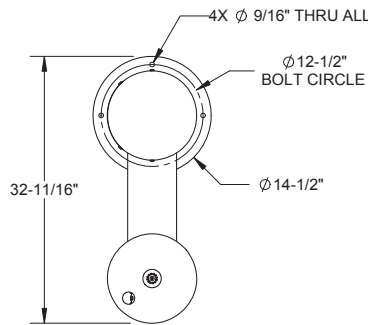
CWBF-2-RPB-HC



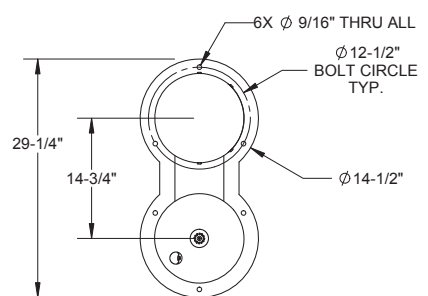
CWBF-2-RPB-CHD



CWBF-2-RPB-PET



ROUGH-IN
HC AND CHD



ROUGH-IN
PET

visit our website at www.willoughby-ind.com
 5105 West 78th Street • Indianapolis, IN. 46268
 (317) 875-0830 • Fax: (317) 875-0837 • (800) 428-4065



MADE IN THE U.S.A.



CWBF-3 Series Outdoor Bottle Filler w/Drinking Fountain

To specify fixture and options, use the Model Number and Options page.

Example: To specify a CWBF-3 outdoor bottle filler with drinking fountain with recessed pushbutton, child drinking fountain bowl height, pet drinking fountain, and 316 stainless steel body/cap/flange in Blue color,

Use the following Willoughby Model Number: **CWBF-3-RPB-CHD-PET-316-BL**

Standard Features

- * Adult and Child A.D.A. compliant
- * Compliant to ADA reach height guidelines
- * Quick, 1-gallon-per-minute bottle fill rate
- * One-piece fully-welded construction
- * Standard heavy duty type 304 stainless steel 8" Sched. 10 main column and 11 Ga. flange
- * Optional marine-grade type 316 stainless steel body for installations near salt water
- * Solid stainless steel vandal resistant anti-rotation bottle filler spout
- * Solid stainless steel, anti-rotation drinking fountain bubbler
- * High polished stainless steel bowl
- * Replaceable in-line charcoal filter on inlet water supply
- * Heavy-duty main column access panels
- * Resistant to sunlight, heat, and vandalism
- * Promotes use of environmentally friendly refillable bottles, reducing use of disposable bottles

Recommended Specifications

Outdoor bottle filler with drinking fountain shall be Willoughby Model No. **CWBF-3-___** (see Model Number and Options guide for actuator selection).

Model **CWBF-3** outdoor bottle filler with drinking fountain shall be a triple-level, vandal resistant drinking fountain with 304 stainless steel 8" Sched. 10 main column and 11 Ga. flange.

Bottle filler spout and fountain bubbler shall be activated by separate recessed mounted solid stainless steel pushbutton assemblies (optional battery operated infrared activation available for bottle filler spout).

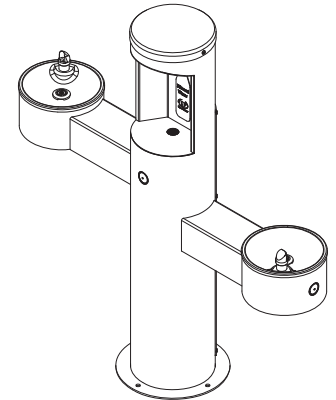
Drinking fountain shall have high-polished, 18 gauge stainless steel bowl with anti-rotation, anti-squirt, solid stainless steel bubblers.

All pushbuttons control lead-free, self-closing valves. Pushbutton operation shall require less than 5 lbs. of force.

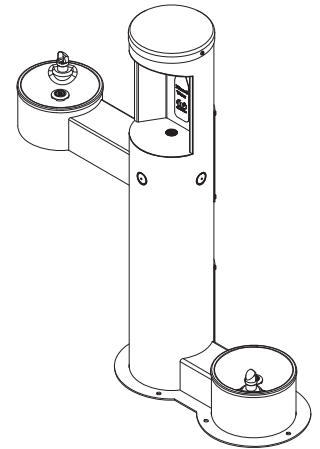
Flow controls are used to ensure adequate flow without being wasteful. Bottle filler flows 1.0 GPM, drinking fountain flows 0.5 GPM.

Model **CWBF-3** fountain shall be lead-free, adhering to ANSI/NSF 61, Section 9, ANSI A117.1 and American Disabilities Act of 2010 requirements.

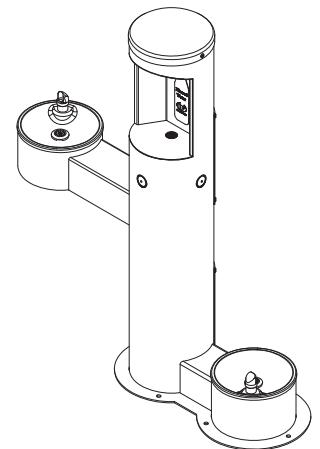
Optional 316 stainless steel body (main column, flange, and cap) are available for applications in which the unit's exterior may come into contact with salt water.



CWBF-3-RPB-HC-CHD



CWBF-3-RPB-HC-PET



CWBF-3-RPB-CHD-PET

visit our website at www.willoughby-ind.com
5105 West 78th Street • Indianapolis, IN. 46268
(317) 875-0830 • Fax: (317) 875-0837 • (800) 428-4065



MADE IN THE U.S.A.

MODEL NUMBER AND OPTIONS:

1.) Outdoor Bottle Filler Type:

- CWBF-3

2.) Bottle Filler Actuator Options (select one):

- RPB Recessed Push Button
 BO Battery Operated Infrared Sensor

3.) Drinking Fountain Bowl Height (select two):

- HC Adult A.D.A.
 CHD Child
 PET Pet

4.) Options:

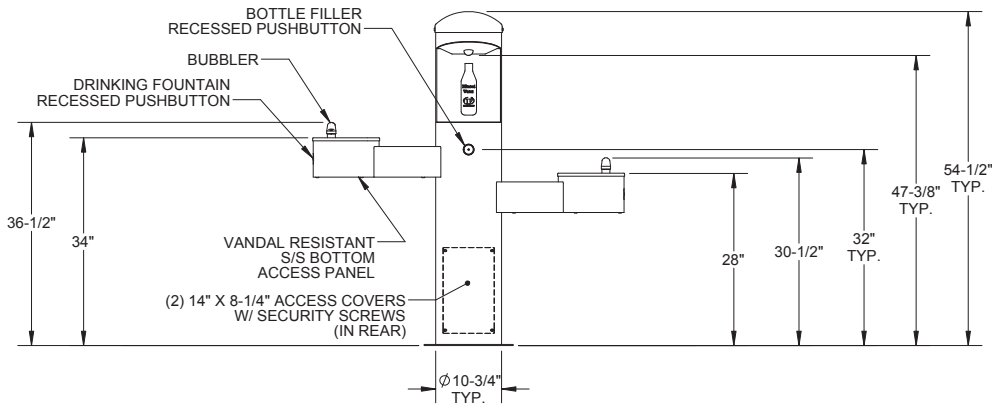
- 316-3 316 Stainless Steel Body, Triple
 CAR-1 Surface Carrier, Single
 CAR-2 Surface Carrier, Double
 SOV Shut Off Valve
 SCV Seasonal Bowl Covers (2)
 FRV-3 Freeze Resistant Valve System, Triple

5.) Colors (select one):

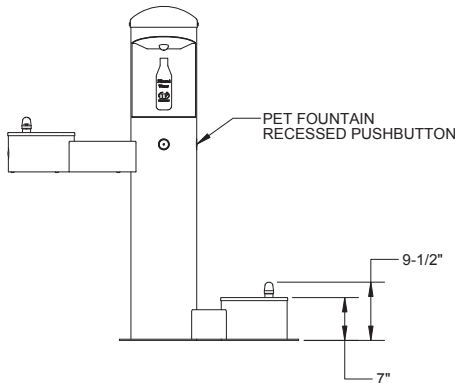
- SL Silver
 G Green
 R Red
 BL Blue
 O Orange
 V Violet
 Y Yellow
 BR Brown
 BK Black
 BE Beige
 W White

Approved For Manufacturing By: _____ Date: _____ Company: _____
 Wall Thickness: _____ Wall Type: _____

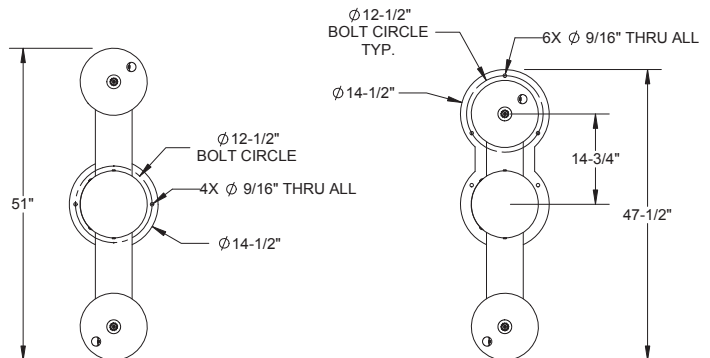
VERIFY ALL DIMENSIONS WITH FACTORY PRIOR TO ROUGH-IN
 WILLOUGHBY RESERVES THE RIGHT TO MAKE CHANGES IN DESIGN AND DIMENSIONS WITHOUT FORMAL NOTICE AND WITHOUT INCURRING OBLIGATION.



CWBF-3-RPB-HC-CHD



CWBF-3-RPB-HC-PET



ROUGH-IN
HC AND CHD

ROUGH-IN
PET

visit our website at www.willoughby-ind.com

5105 West 78th Street • Indianapolis, IN. 46268

(317) 875-0830 • Fax: (317) 875-0837 • (800) 428-4065



MADE IN THE U.S.A.

CWBF-1WM Series Wall Mounted Outdoor Bottle Filler

To specify fixture and options, use the Model Number and Options page.

Example: To specify a CWBF-1WM outdoor bottle filler with recessed pushbutton, and 316 stainless steel body/cap/flange in Green color

Use the following Willoughby Model Number: **CWBF-1WM-RPB-316 -G**

Standard Features

- * Simple, vandal-resistant pushbutton or optional infrared operation
- * Quick, 1-gallon-per-minute fill rate
- * One-piece fully-welded construction
- * Standard heavy duty type 304 stainless steel 8" Sched. 10 main column and 11 Ga. flange
- * Optional marine-grade type 316 stainless steel body for installations near salt water
- * Solid stainless steel vandal resistant anti-rotation filler spout
- * Promotes use of environmentally friendly refillable bottles, reducing use of disposable bottles
- * Compliant to ADA reach height guidelines

Recommended Specifications

Wall mounted outdoor bottle filler shall be Willoughby Model No. **CWBF-1WM** ____ (see Model Number and Options guide for actuator selection).

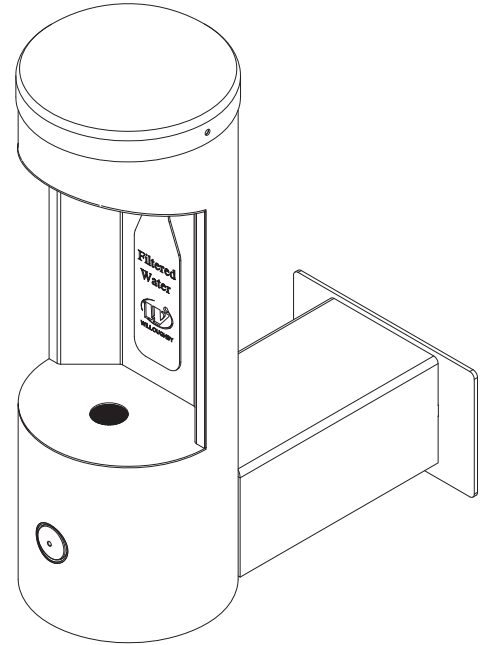
Model **CWBF-1WM** outdoor bottle filler shall be a single-level, vandal resistant drinking fountain with 304 stainless steel 8" Sched. 10 main column and 11 Ga. flange.

Filler spout shall be activated by a recessed mounted solid stainless steel pushbutton assembly which controls a lead-free, self-closing valve (optional hardwire- or battery operated- infrared activation available). Pushbutton operation shall require less than 5 lbs. of force.

Flow controls (1.0 GPM) are used to ensure adequate flow without being wasteful.

Model **CWBF-1WM** bottle filler shall be lead-free and in compliance with ANSI/NSF 61, Section 9 requirements.

Optional 316 stainless steel body (main column, flange, and cap) are available for applications in which the unit's exterior may come into contact with salt water.



MODEL NUMBER AND OPTIONS:

1.) Outdoor Drinking Fountain Type:

CWBF-1WM

2.) Actuator options (select one):

- RPB Recessed Push Button
- IR Infrared Sensor
- BO Battery Operated Infrared Sensor

3.) Options:

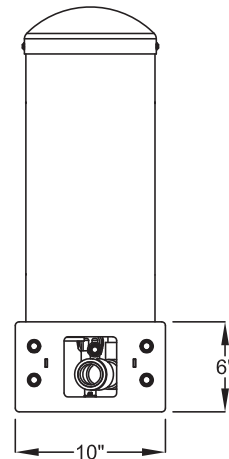
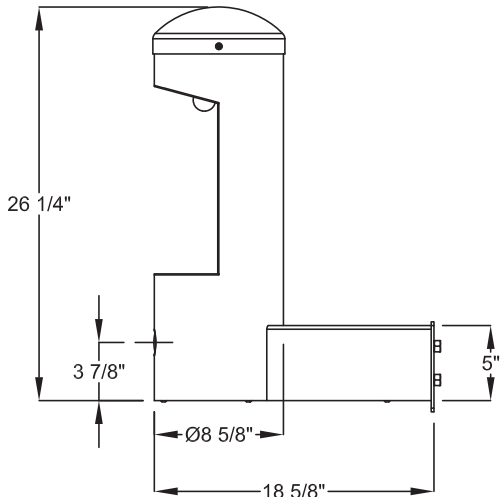
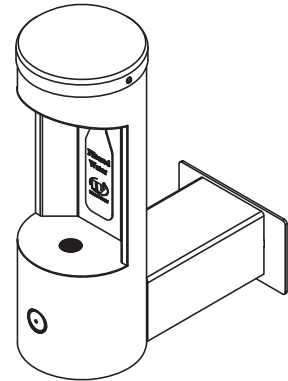
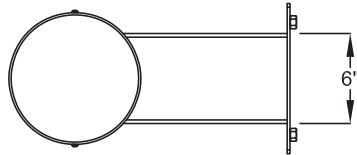
- 316-1 316 Stainless Steel Body, Single
- SOV Shut Off Valve

4.) Colors (select one):

- SL Silver
- G Green
- R Red
- BL Blue
- O Orange
- V Violet
- Y Yellow
- BR Brown
- BK Black
- BE Beige
- W White

Approved For Manufacturing By: _____ Date: _____ Company: _____
 Wall Thickness: _____ Wall Type: _____

VERIFY ALL DIMENSIONS WITH FACTORY PRIOR TO ROUGH-IN
 WILLOUGHBY RESERVES THE RIGHT TO MAKE CHANGES IN DESIGN AND DIMENSIONS WITHOUT FORMAL NOTICE AND WITHOUT INCURRING OBLIGATION.



visit our website at www.willoughby-ind.com
 5105 West 78th Street • Indianapolis, IN. 46268
 (317) 875-0830 • Fax: (317) 875-0837 • (800) 428-4065



MADE IN THE U.S.A.

WODS Series Outdoor Shower

✓	MODEL NUMBER	SHOWER HEADS	FOOT SHOWERS
	WODS-1-0	1	0
	WODS-1-1	1	1
	WODS-2-0	2	0
	WODS-2-1	2	1
	WODS-2-2	2	2
	WODS-4-0	4	0
	WODS-4-1	4	1
	WODS-4-2	4	2

To specify fixture and options, use the Model Number and Options page.

Example: To specify a WODS outdoor shower with 4 shower heads, 1 foot shower, 1.5 GPM flow rate, 316 stainless steel body / cap / flange, in Violet color

Use the following Willoughby Model Number: **WODS-4-1-1.5-316-V**

Recommended Specifications

Outdoor shower shall be Willoughby Model No. **WODS-__-__** (select number of shower heads and foot showers from table above).

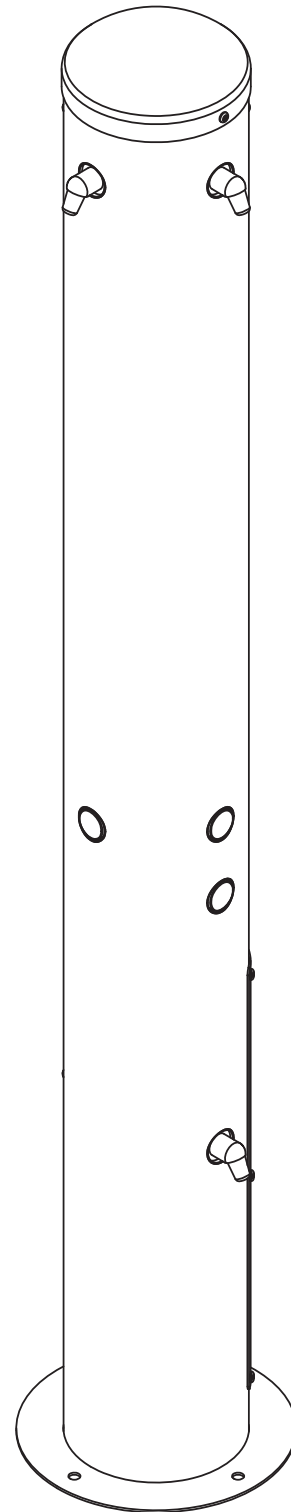
Model **WODS** outdoor shower shall be vandal resistant with a 304 stainless steel 8" Sched. 10 main column and 11 Ga. flange.

Shower heads shall be activated by recessed mounted solid stainless steel push button assemblies controlling lead-free metering valves. Shower unit is easily winterized by turning off the fixture supply line (shut-off valve by others), disconnecting the flexible supply hoses from the valves, and removing the valves from within the body; all valves are secured using a single-point attachment nut.

Shower heads and optional foot showers shall be Willoughby all-stainless steel (NPS) non-user adjustable shower heads.

Shower unit shall be factory assembled, tested for proper operation and ready for installation by a contractor. Unit to be anchored using 1/2"-13 anchoring bolts (by others).

Optional marine-grade type 316 stainless steel body (main column, flange, and cap) is available for applications in which the unit's exterior may come into contact with salt water.



MODEL NUMBER AND OPTIONS:

1.) Outdoor Shower Type:

WODS

2.) Head Showers:

- 1 One (1) Head Shower
- 2 Two (2) Head Showers
- 4 Four (4) Head Showers

3.) Foot Showers:

- 0 No Foot Showers
- 1 One (1) Foot Shower
- 2 Two (2) Foot Showers

4.) Flow Rates:

- 1.5 GPM (Standard)
- 2.0 GPM
- 2.5 GPM

5.) Options:

- 316-ODS 316 Stainless Steel Body For Outdoor Shower
- HBE Hose Bibb Exposed
- HBLD Recessed Hose Bibb w/Lock Door
- HBLD-SS Recessed Stainless Steel Hose Bibb w/Lock Door
- JF Jug Filler
- CAR-ODS Surface Carrier For Outdoor Shower

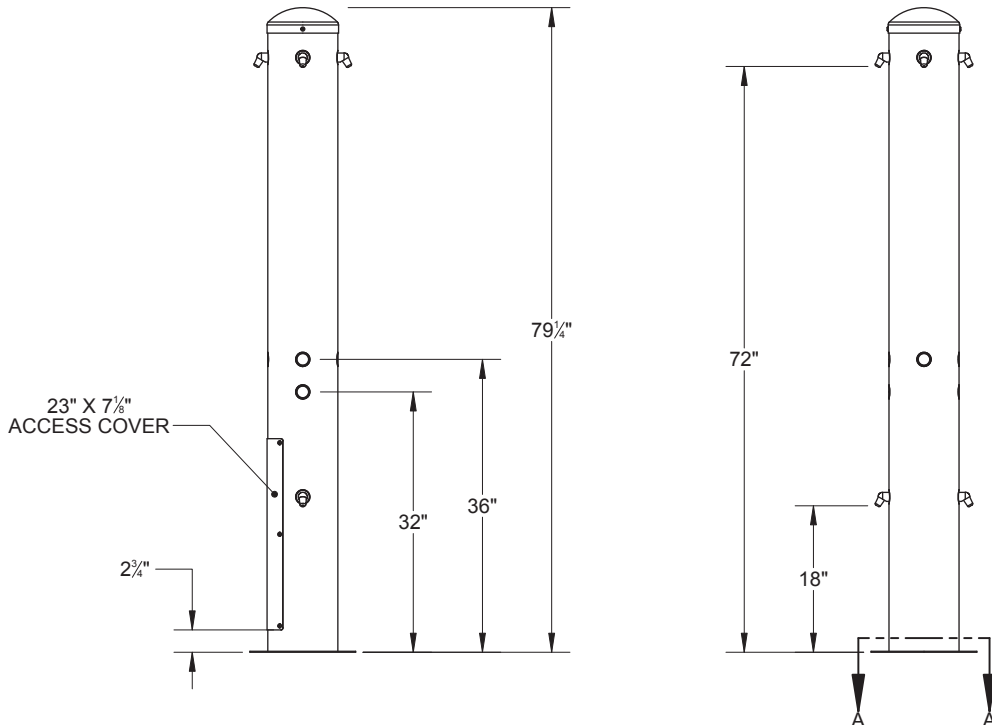
6.) Colors (select one):

- SL Silver
- G Green
- R Red
- BL Blue
- O Orange
- V Violet
- Y Yellow
- BR Brown
- BK Black
- BE Beige
- W White

Approved For Manufacturing By: _____ Date: _____ Company: _____
 Wall Thickness: _____ Wall Type: _____



VERIFY ALL DIMENSIONS WITH FACTORY PRIOR TO ROUGH-IN
 WILLOUGHBY RESERVES THE RIGHT TO MAKE CHANGES IN DESIGN AND DIMENSIONS WITHOUT FORMAL NOTICE AND WITHOUT INCURRING OBLIGATION.



visit our website at www.willoughby-ind.com
 5105 West 78th Street • Indianapolis, IN. 46268
 (317) 875-0830 • Fax: (317) 875-0837 • (800) 428-4065



MADE IN THE U.S.A.

WODS-ADA Series ADA Outdoor Shower



To specify fixture and options, use the Model Number and Options page.

Example: To specify a WODS-ADA outdoor shower with one-sided approach, 1.5 GPM flow rate, 316 stainless steel body/cap/flange, in Yellow color

Use the following Willoughby Model Number: **WODS-ADA-1A-1.5-316-Y**

Recommended Specifications

Outdoor shower shall be Willoughby Model No. **WODS-ADA-_____**...

Model **WODS-ADA** outdoor shower shall be vandal resistant with a 304 stainless steel 8" Sched. 10 main column and 11 Ga. flange.

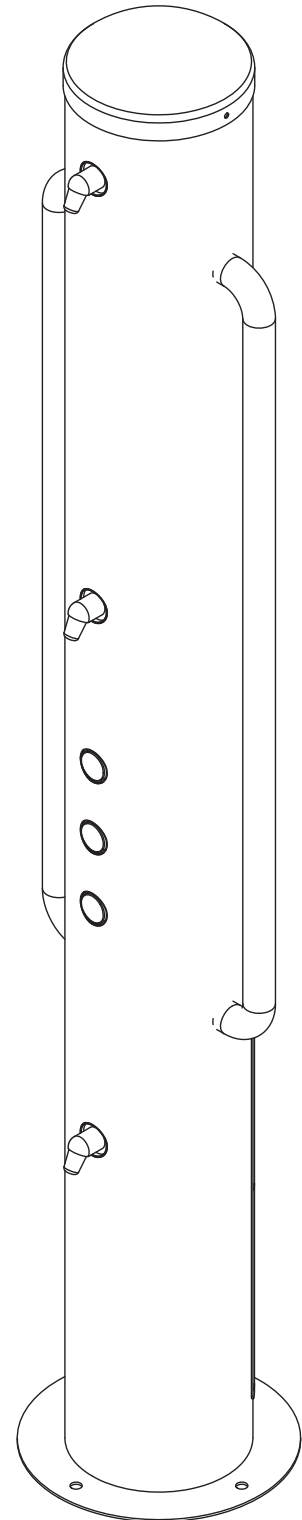
Meets ADA requirements with one (1) standard shower head, one (1) shower head at ADA height, one (1) foot shower, two (2) grab bars, and three (3) push buttons for operating showers. Push button for ADA shower head is also at ADA height requirement.

Shower heads shall be activated by recessed mounted solid stainless steel push button assemblies controlling lead-free metering valves. Shower unit is easily winterized by turning off the fixture supply line (shut-off valve by others), disconnecting the flexible supply hoses from the valves, and removing the valves from within the body; all valves are secured using a single-point attachment nut.

Shower heads and optional foot showers shall be Willoughby all-stainless steel (NPS) non-user adjustable shower heads.

Shower unit shall be factory assembled, tested for proper operation and ready for installation by a contractor. Unit to be anchored using 1/2"-13 anchoring bolts (by others).

Optional marine-grade type 316 stainless steel body (main column, flange, and cap) is available for applications in which the unit's exterior may come into contact with salt water.



visit our website at www.willoughby-ind.com
5105 West 78th Street • Indianapolis, IN. 46268
(317) 875-0830 • Fax: (317) 875-0837 • (800) 428-4065



MADE IN THE U.S.A.

MODEL NUMBER AND OPTIONS:

1.) Outdoor Shower Type:

WODS-ADA

2.) Approach:

- 1A One-sided Approach- Both ADA and non-ADA showering stations are on the same side of the shower column
- 2A Two-sided Approach*- ADA and non-ADA showering stations are on opposite sides of the shower column

***NOTE:** Foot Shower station will be placed on the same side as the non-ADA shower head.

3.) Flow Rates:

- 1.5 GPM (Standard)
- 2.0 GPM
- 2.5 GPM

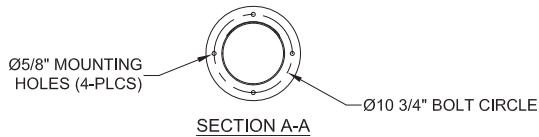
4.) Options:

- 316-ODS 316 Stainless Steel Body For Outdoor Shower
- CAR-ODS Surface Carrier For Outdoor Shower

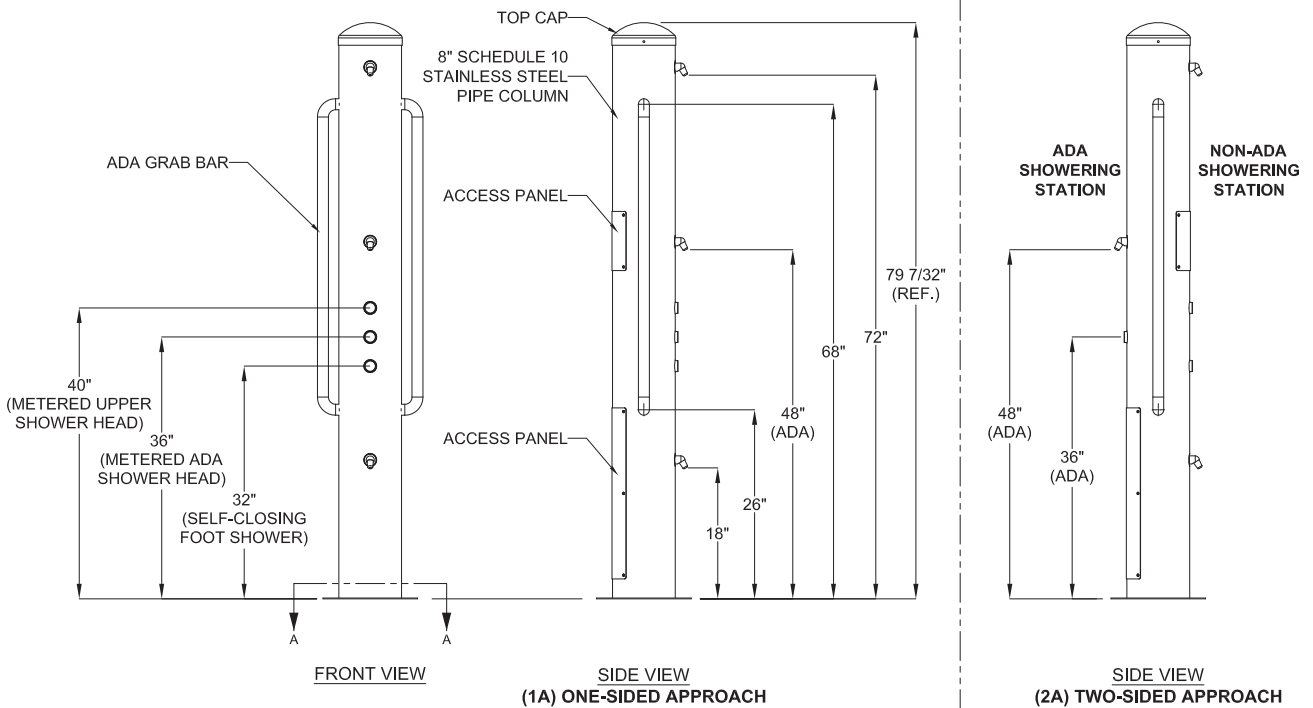
5.) Colors (select one):

- SL Silver
- G Green
- R Red
- BL Blue
- O Orange
- V Violet
- Y Yellow
- BR Brown
- BK Black
- BE Beige
- W White

Approved For Manufacturing By: _____ Date: _____ Company: _____
 Wall Thickness: _____ Wall Type: _____



VERIFY ALL DIMENSIONS WITH FACTORY PRIOR TO ROUGH-IN
 WILLOUGHBY RESERVES THE RIGHT TO MAKE CHANGES IN DESIGN AND DIMENSIONS WITHOUT FORMAL NOTICE AND WITHOUT INCURRING OBLIGATION.



visit our website at www.willoughby-ind.com
 5105 West 78th Street • Indianapolis, IN. 46268
 (317) 875-0830 • Fax: (317) 875-0837 • (800) 428-4065



MADE IN THE U.S.A.

WODFS Series Outdoor Foot Shower

To specify fixture and options, use the Model Number and Options page.

Example: To specify a WODFS outdoor foot shower with 2 foot shower heads, 1.5 GPM flow rate, 316 stainless steel body/cap/flange, in Silver color

Use the following Willoughby Model Number: **WODFS-2-1.5-316-ODS-SL**

Recommended Specifications

Outdoor Foot Shower shall be:

Willoughby Model No. **WODFS-____...**

(Select from model number and options list on next page)

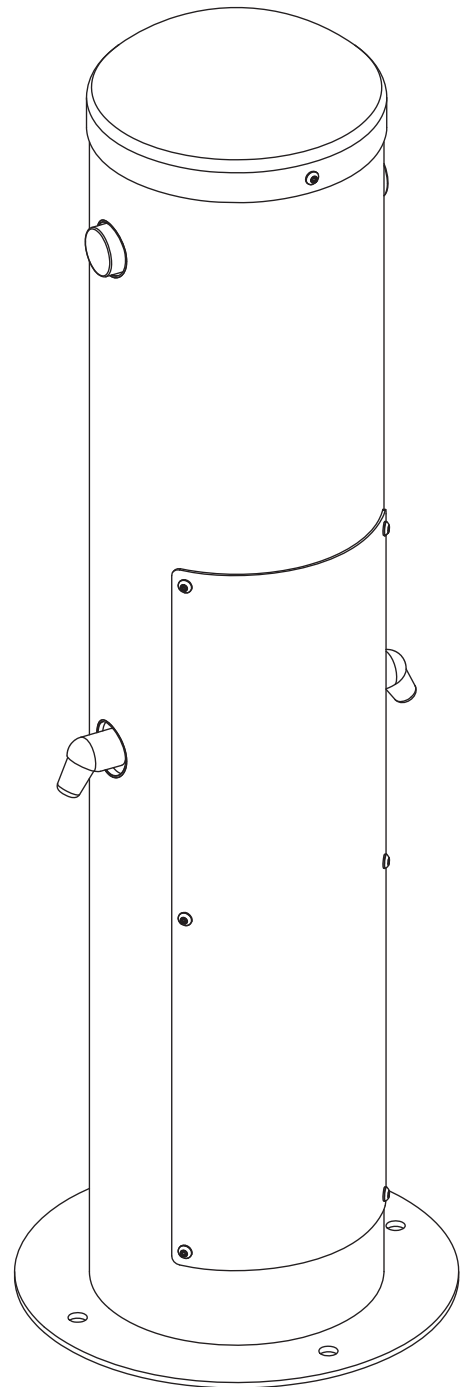
Model **WODFS** outdoor foot shower shall be vandal resistant with a 304 stainless steel 8" Sched. 10 main column and 11 Ga. flange.

Foot shower head(s) shall be activated by recessed mounted solid stainless steel push button assemblies controlling lead-free metering valves. Shower unit is easily winterized by turning off the fixture supply line (shut-off valve by others), disconnecting the flexible supply hoses from the valves, and removing the valves from within the body; all valves are secured using a single-point attachment nut.

Foot shower head(s) shall be Willoughby all-stainless steel (NPS) non-user adjustable shower heads.

Shower unit shall be factory assembled, tested for proper operation and ready for installation by a contractor. Unit to be anchored using 1/2"-13 anchoring bolts (by others).

Optional marine-grade type 316 stainless steel body (main column, flange, and cap) is available for applications in which the unit's exterior may come into contact with salt water.



visit our website at www.willoughby-ind.com

5105 West 78th Street • Indianapolis, IN. 46268

(317) 875-0830 • Fax: (317) 875-0837 • (800) 428-4065



MADE IN THE U.S.A.

MODEL NUMBER AND OPTIONS:

1.) Outdoor Shower Type:

WODFS Outdoor Foot Shower

2.) Foot Showers:

1 Single (1) Foot Shower Head
 2 Dual (2) Foot Shower Heads

3.) Flow Rates:

1.5 GPM (Standard)
 2.0 GPM
 2.5 GPM

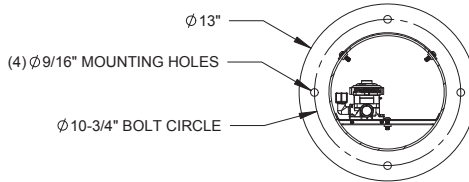
4.) Options:

316-ODS 316 Stainless Steel Body For Outdoor Shower
 HBE Hose Bibb Exposed
 HBLD Recessed Hose Bibb w/Lock Door
 HBLD-SS Recessed Stainless Steel Hose Bibb w/Lock Door
 JF Jug Filler
 CAR-ODS Surface Carrier For Outdoor Shower

5.) Colors (select one):

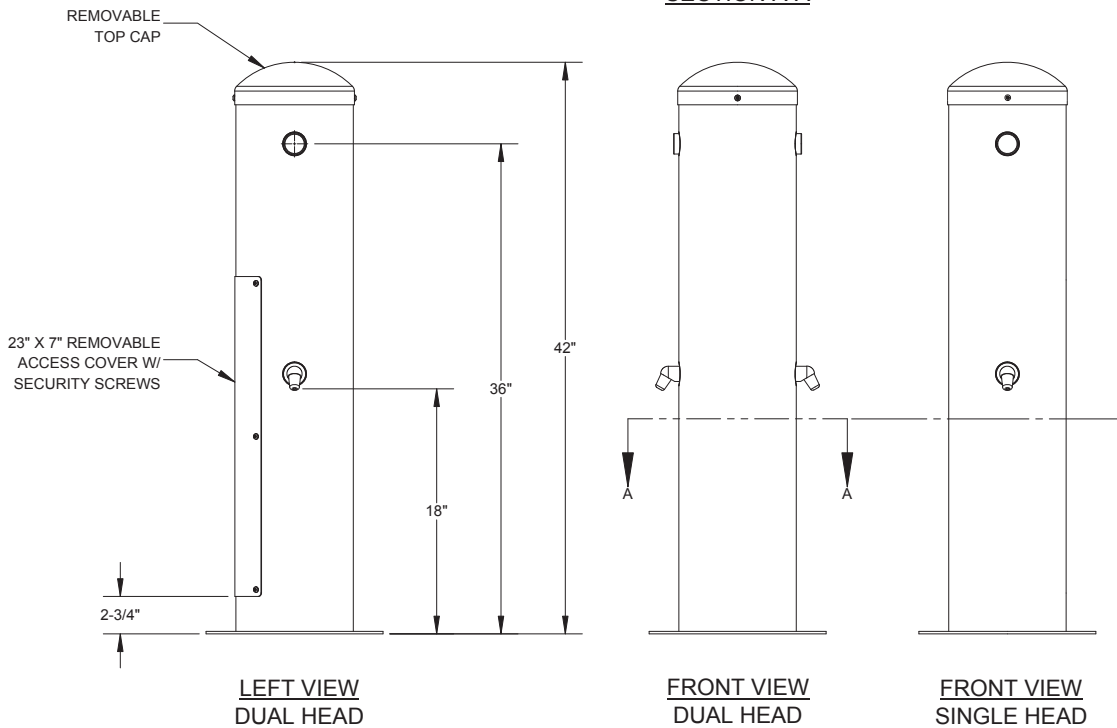
SL Silver
 G Green
 R Red
 BL Blue
 O Orange
 V Violet
 Y Yellow
 BR Brown
 BK Black
 BE Beige
 W White

Approved For Manufacturing By: _____ Date: _____ Company: _____
 Wall Thickness: _____ Wall Type: _____



SECTION A-A

VERIFY ALL DIMENSIONS WITH FACTORY PRIOR TO ROUGH-IN
 WILLOUGHBY RESERVES THE RIGHT TO MAKE CHANGES IN DESIGN AND DIMENSIONS WITHOUT FORMAL NOTICE AND WITHOUT INCURRING OBLIGATION.



visit our website at www.willoughby-ind.com

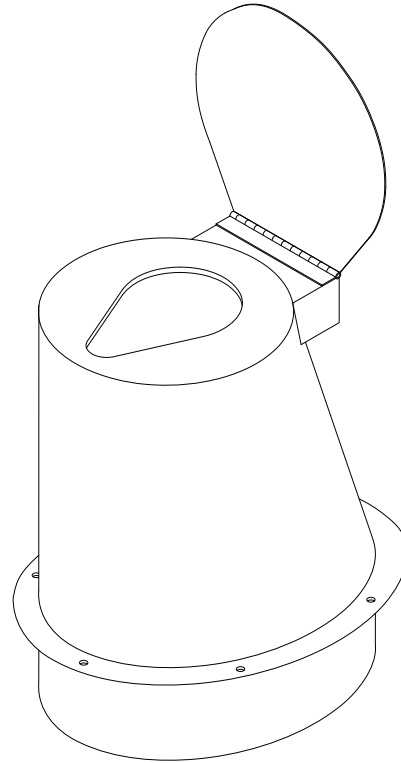
5105 West 78th Street • Indianapolis, IN. 46268

(317) 875-0830 • Fax: (317) 875-0837 • (800) 428-4065



MADE IN THE U.S.A.

WT-2016 Waterless Toilet



To specify fixture and options, use the Model Number and Options page.

Example: To specify a WT-2016 unit with a white hinged plastic seat:

Use the following Willoughby Model Number: WT-2016-HS-White

Recommended Specifications

Waterless toilet shall be Willoughby Model No. **WT-2016**.

This unit is designed for use in parks, campgrounds, farms and wilderness areas where traditional waste systems are not available. Unit is designed for installation over vented pits. Fixture body shall be fabricated from 18 gauge type 304 stainless steel. Below floor extension is fabricated from 24 gauge type 304 stainless steel.

The construction shall be spot welded with exposed stainless surfaces polished to a #4 finish.

Waterless toilet shall include: 18 gauge stainless steel seat with piano hinge and 1 1/2" wide floor flange with 3/8" anchor holes. Anchoring hardware by others.

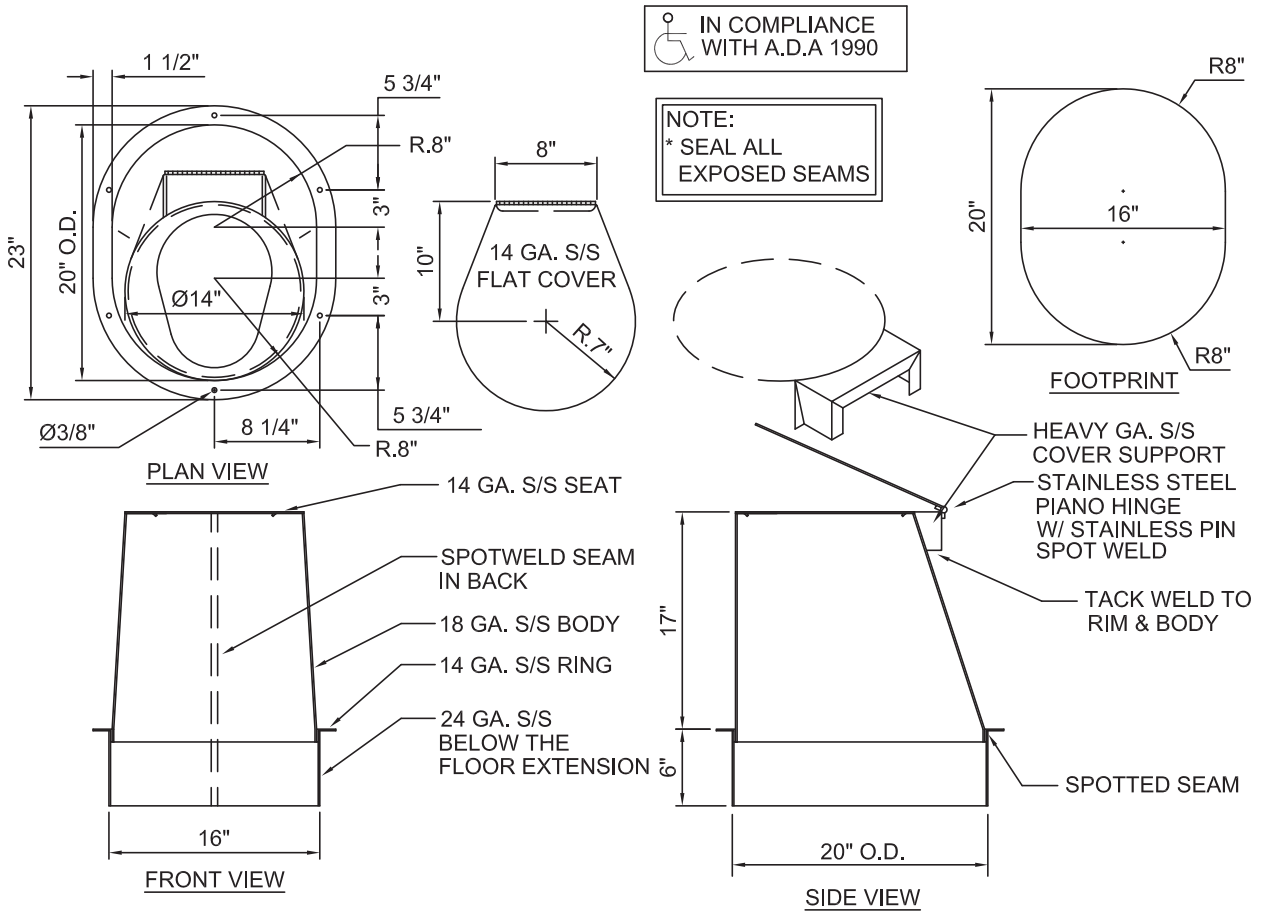
MODEL NUMBER AND OPTIONS:

1.) Options:

HS Hinged White Plastic Seat

Approved For Manufacturing By: _____ Date: _____ Company: _____
 Wall Thickness: _____ Wall Type: _____

VERIFY ALL DIMENSIONS WITH FACTORY PRIOR TO ROUGH-IN
 WILLOUGHBY RESERVES THE RIGHT TO MAKE CHANGES IN DESIGN AND DIMENSIONS WITHOUT FORMAL NOTICE AND WITHOUT INCURRING OBLIGATION.



visit our website at www.willoughby-ind.com
 5105 West 78th Street • Indianapolis, IN. 46268
 (317) 875-0830 • Fax: (317) 875-0837 • (800) 428-4065



MADE IN THE U.S.A.