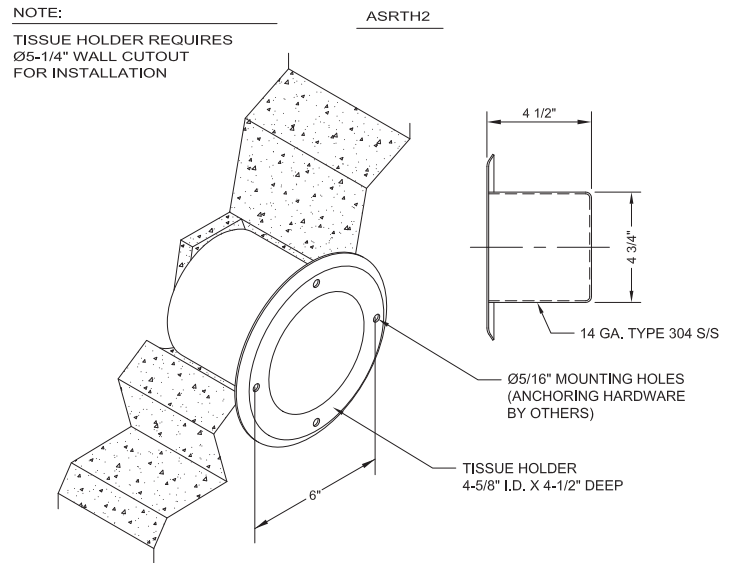


## ASRTH2 Front Mounted Ligature-Resistant Tissue Holder

**ASRTH2** recessed toilet tissue holder shall be die-formed of 14 gauge, type 304 stainless steel with an 16 gauge type 304 S/S #4 satin finish exposed flange. Flange edge to be turned back providing a tight fit to wall. Holder shall accommodate a standard roll of tissue, measuring 4-5/8" in diameter and 4-1/2" deep. Interior shall be seamless and ligature-resistant, providing no free area for the concealment of contraband and no interior exposed flange edge. Mounting shall be from the front. Stainless steel security screws provided, wall anchors by others.



## ASRTH3 Front Mounted Ligature-Resistant Tissue Holder (For 4" Stud Wall)

**ASRTH3** recessed toilet tissue holder shall be die-formed of 14 gauge, type 304 stainless steel with an 16 gauge type 304 S/S #4 satin finish exposed flange. Flange edge to be turned back providing a tight fit to wall. Holder shall accommodate a standard roll of tissue, measuring 4-3/4" in diameter and 3-1/2" deep. Interior shall be seamless and ligature-resistant, providing no free area for the concealment of contraband and no interior exposed flange edge. Mounting shall be from the front. Stainless steel security screws provided, wall anchors by others.

