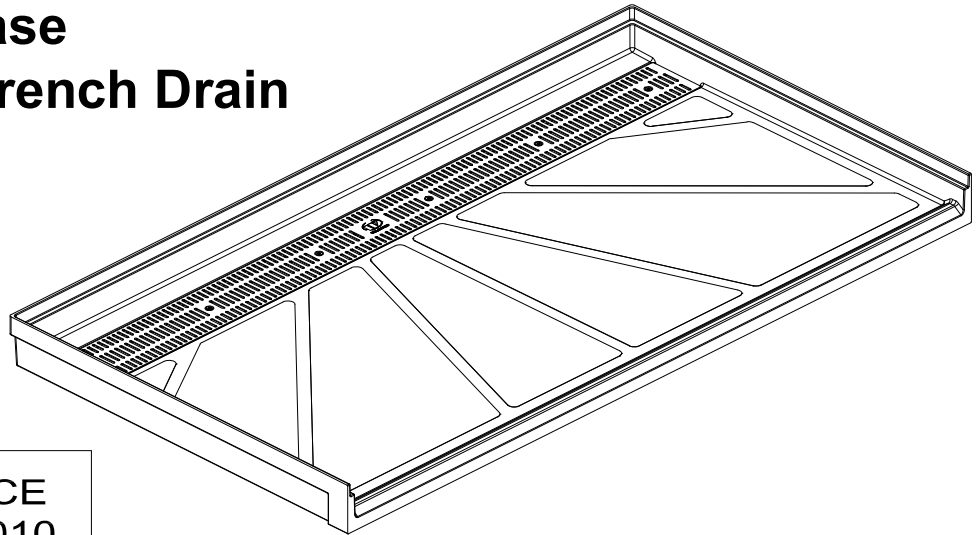


## AS-S3060ADA Aquasurf® Solid Surface 30x60 ADA-Compliant Roll-in Shower Base w/ Integral Rear Trench Drain



To specify fixture and accessories, use the Model Number and Options page.  
Example: To specify an Aquasurf® Solid Surface, 30x60 ADA-Compliant, Roll-in Shower Base with Integral Rear Trench Drain with Center drain in Sea Green  
Use the following Willoughby Model Number:  
**AS-S3060ADA-C-SG**

### Recommended Specifications

Aquasurf® Solid Surface, 30x60, ADA-Compliant, Roll-in Shower Base with Integral Rear Trench Drain shall be:

Willoughby Model No. **AS-S3060ADA**

(Select from model number and options list on next page)

Aquasurf® solid surface shower bases are designed for single- and multiple-applications. The shower base shall be a monolithic component cast from Aquasurf® polymer materials, composed of fully densified aluminum trihydrate mineral fillers, homogeneously blended in an engineered, UV stabilized, acrylic modified polyester resin.

ADA accessibility shall incorporate a rear drain with integrally sloped trench, allowing for unobtrusive and complete draining of the shower area. The rear drain is available in Left, Center, and Right configurations to best suit individual installations.

(Consult local code requirements for ADA design integration.)

The shower base shall have integrally molded support bracing on bottom; negative sloped non-slip textured interior floor; integral perimeter flanges, threshold, and curb; and 2" no-hub drain connection. The full-width drain grate will securely cover the drain trench while allowing water to effectively drain from anywhere in the shower (drain grate secured to base w/ (6) security screws).

### **Durability and Biological Resistance:**

Aquasurf® Solid Surface Products Shower Bases offer high impact, chip, scratch and burn resistance. Topical surface damages can easily be repaired with minor abrasive applications (3M #7448 Scotch-Brite™). The viral, bacteriological, chemical, mildew, and mold resistance provides a sanitary, easily cleaned, durable, low maintenance component.

### **Optional Features:**

Aquasurf® Solid Surface Products wall panel kit is an available option. Wall panel kits come with color-matched overlay battens, coved corners, and soap/shampoo assemblies, providing all components required for a complete shower area enclosure (refer to Model Number and Options sheet for option designation).

visit our website at [www.willoughby-ind.com](http://www.willoughby-ind.com)  
5105 West 78th Street • Indianapolis, IN. 46268  
(317) 875-0830 • Fax: (317) 875-0837 • (800) 428-4065



MADE IN THE U.S.A.

# MODEL NUMBER AND OPTIONS:

## 1.) Base Type:

- AS-S3060ADA Aquasurf® Solid Surface, 30x60, ADA-Compliant, Roll-in Shower Base with Integral Rear Trench Drain

## 4.) Commercial Wall Kit Option (1/4" Panels):

- ASK-S603484 (2) 33-1/2" x 84" Panels  
 (2) 29-1/2" x 84" Panels  
 (1) 3" x 84" Overlay  
 (2) (AS-IS-CV8) Inside Corner Cove Overlay

## 2.) Drain Position (See Drawing Below):

- L Left Drain  
 C Center Drain  
 R Right Drain

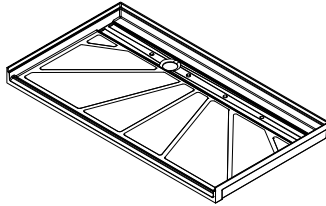
## 5.) Accessories:

- AS-SSH Soap/Shampoo Holder

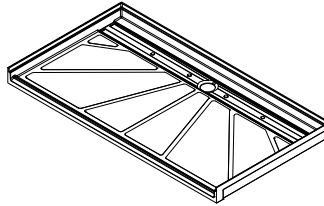
## 3.) Solid Surface Colors:

- BN Bone  
 GW Glacier White  
 GG Grey Granite  
 SS Sandstone  
 WG White Granite  
 BG Black Granite  
 NB Nocturnal Blue  
 RC Red Coral  
 SG Sea Green

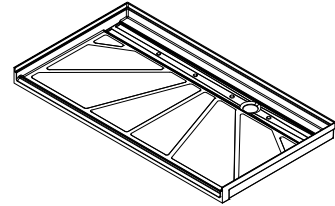
Approved For Manufacturing By: \_\_\_\_\_ Date: \_\_\_\_\_ Company: \_\_\_\_\_



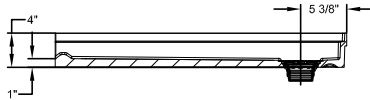
AS-S3060ADA-L (LEFT DRAIN)



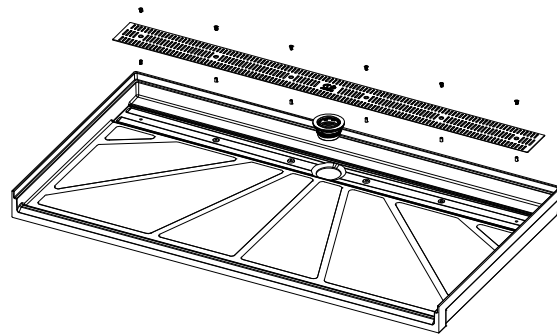
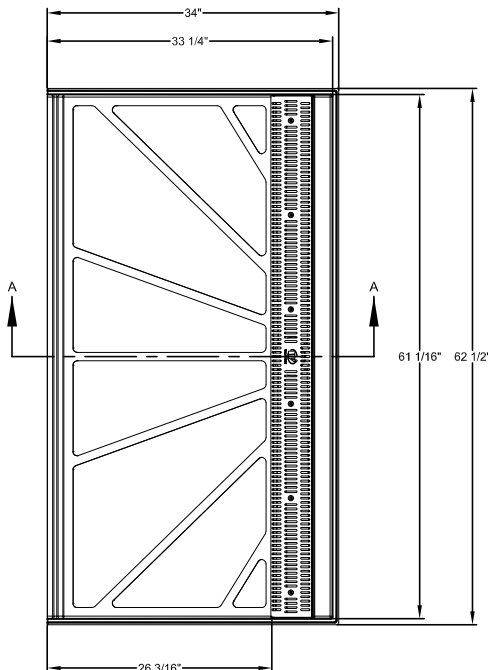
AS-S3060ADA-C (CENTER DRAIN)



AS-S3060ADA-R (RIGHT DRAIN)



SECTION A-A



EXPLODED VIEW

VERIFY ALL DIMENSIONS WITH FACTORY PRIOR TO ROUGH-IN  
 WILLOUGHBY RESERVES THE RIGHT TO MAKE CHANGES IN DESIGN AND  
 DIMENSIONS WITHOUT FORMAL NOTICE AND WITHOUT INCURRING OBLIGATION.

visit our website at [www.willoughby-ind.com](http://www.willoughby-ind.com)  
 5105 West 78th Street • Indianapolis, IN. 46268  
 (317) 875-0830 • Fax: (317) 875-0837 • (800) 428-4065



MADE IN THE U.S.A.