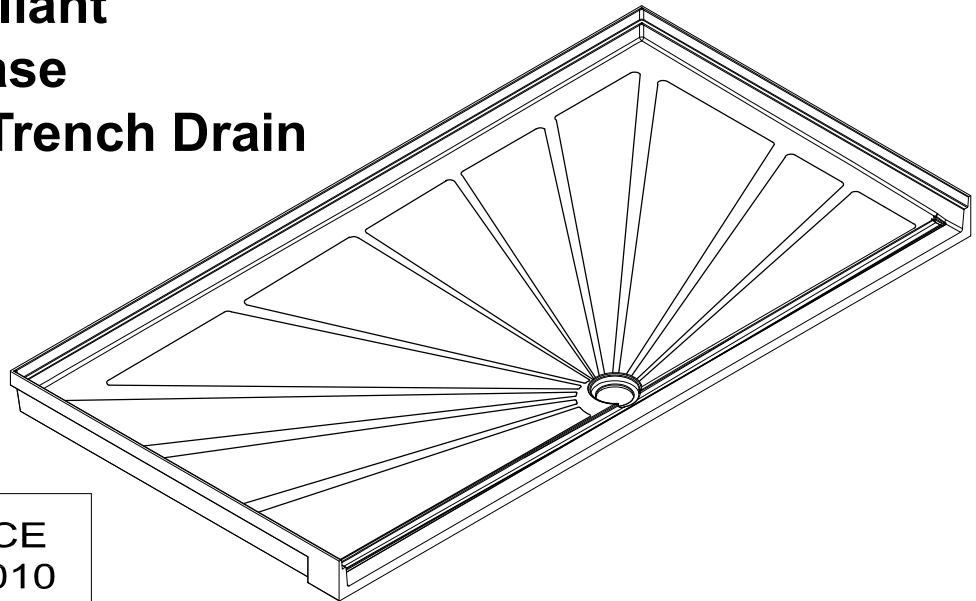


AS-S3462FA Aquasurf® Solid Surface 30x60 ADA-Compliant Roll-in Shower Base w/ Integral Front Trench Drain



To specify fixture and accessories, use the Model Number and Options page.

Example: To specify an Aquasurf® Solid Surface, 30x60, ADA-Compliant, Roll-in Shower Base with Integral Front Trench Drain in glacier white

Use the following Willoughby Model Number:
AS-S3462FA-GW

Recommended Specifications

Aquasurf® Solid Surface, 30x60, ADA-Compliant, Roll-in Shower Base with Integral Front Trench Drain shall be:

Willoughby Model No. **AS-S3462FA**

(Select from model number and options list on next page)

Aquasurf® Solid Surface Products Shower Bases are designed for single and multiple applications. The Shower Base shall be a monolithic cast component of Aquasurf® Solid Surface Products polymer materials, composed of fully densified aluminum trihydrate mineral fillers, homogeneously blended in an engineered, UV stabilized, acrylic modified polyester resin.

Shower Base shall have integrally molded support bracing on bottom, positive sloped non-slip textured interior floor and integral perimeter flange. Aquasurf® Solid Surface Products Shower Base shall incorporate integral threshold, curb, and 2" no-hub drain connection.

ADA Accessibility (consult local code requirements for design integration) shall incorporate a front forward drain with integrally sloped trench, allowing for drainage of shower curtain run-off. The integral front transition strip shall provide room floor drainage toward trench and shower access ramping.

Durability and Biological Resistance:

Aquasurf® Solid Surface Products Shower Bases offer high impact, chip, scratch and burn resistance. Topical surface damages can easily be repaired with minor abrasive applications (3M #7448 Scotch-Brite™). The viral, bacteriological, chemical, mildew, and mold resistance provides a sanitary, easily cleaned, durable, low maintenance component.

Optional Features:

Aquasurf® Solid Surface Products wall panel kits with overlay battens, coved corners and soap/shampoo assemblies provide all components required to complete shower area enclosure (refer to selection sheet for unit designation).

visit our website at www.willoughby-ind.com

5105 West 78th Street • Indianapolis, IN. 46268

(317) 875-0830 • Fax: (317) 875-0837 • (800) 428-4065



MADE IN THE U.S.A.

MODEL NUMBER AND OPTIONS:

1.) Base Type:

- AS-S3462FA Aquasurf® Solid Surface, 30x60, ADA-Compliant, Roll-in Shower Base with Integral Front Trench Drain

2.) Commercial Wall Kits (1/4" Panels):

- ASK-S603484 (2) 33-1/2" x 84" Panels
(2) 29-1/2" x 84" Panels
(1) 3" x 84" Overlay
(2) (AS-IS-CV8) Inside Corner Cove Overlay

3.) Accessories:

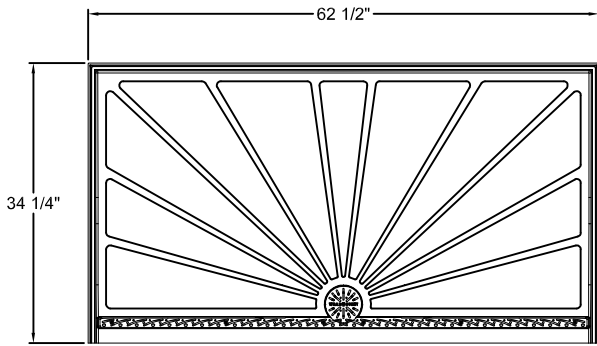
- AS-SSH Soap/Shampoo Holder

4.) Solid Surface Color:

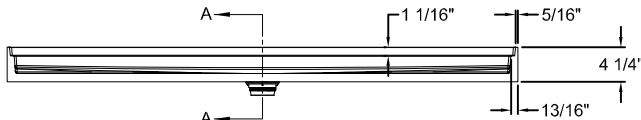
- BN Bone
- GW Glacier White
- GG Grey Granite
- SS Sandstone
- WG White Granite
- BG Black Granite
- NB Nocturnal Blue
- RC Red Coral
- SG Sea Green

Approved For Manufacturing By: _____ Date: _____ Company: _____

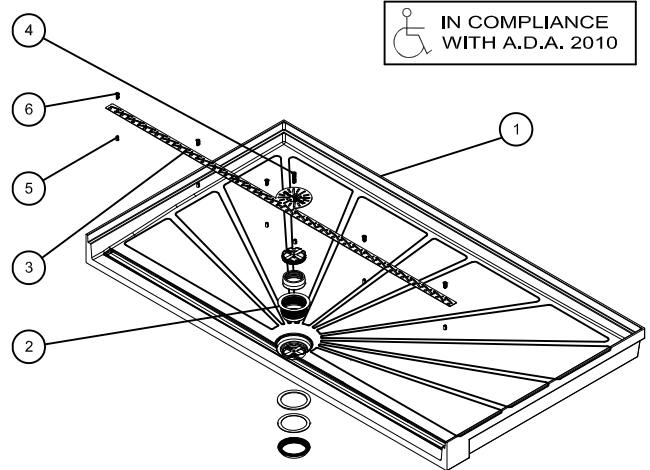
VERIFY ALL DIMENSIONS WITH FACTORY PRIOR TO ROUGH-IN
WILLOUGHBY RESERVES THE RIGHT TO MAKE CHANGES IN DESIGN AND DIMENSIONS WITHOUT FORMAL NOTICE AND WITHOUT INCURRING OBLIGATION.



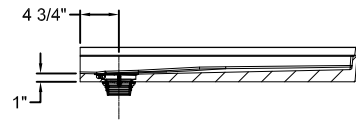
PLAN VIEW



FRONT VIEW



EXPLODED VIEW



SECTION A-A

| ITEM # | PART # | DESCRIPTION | QTY. |
|--------|------------|--|------|
| 1 | AS-S3462FA | AS-S3462FA SHOWER BASE | 1 |
| 2 | 900520S | DRAIN ASSEMBLY, W/ MOD. INTERNAL RING | 1 |
| 3 | S005313 | TRENCH DRAIN COVER | 1 |
| 4 | 800127 | 1/4-20 X 1-1/2" FH SECURITY SCREW | 1 |
| 5 | 991020 | INSERT, BRASS, 1/4-20 x 1/2" | 6 |
| 6 | 4503SSN | SCREW, 1/4-20 X 3/4" SECURITY SCREW (FH) | 6 |

visit our website at www.willoughby-ind.com
5105 West 78th Street • Indianapolis, IN. 46268
(317) 875-0830 • Fax: (317) 875-0837 • (800) 428-4065



MADE IN THE U.S.A.