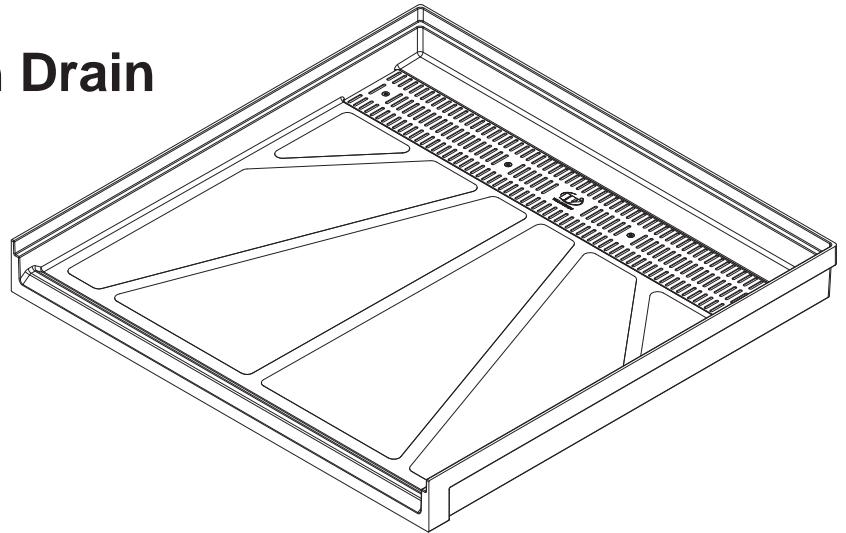


AS-S3636ADA Aquasurf® Solid Surface 36x36 ADA-Compliant Transfer Shower Base w/ Integral Rear Trench Drain



To specify fixture and accessories, use the Model Number and Options page.
Example: To specify an Aquasurf® Solid Surface, 36x36, ADA-Compliant, Transfer Shower Base with Integral Rear Trench Drain with Center drain in Grey Granite
Use the following Willoughby Model Number:
AS-S3636ADA-C-GG

Recommended Specifications

Aquasurf® Solid Surface, 36x36, ADA-Compliant, Transfer Shower Base with Integral Rear Trench Drain shall be:
Willoughby Model No. **AS-S3636ADA**
(Select from model number and options list on next page)

Aquasurf® solid surface shower bases are designed for single- and multiple-applications. The shower base shall be a monolithic component cast from Aquasurf® polymer materials, composed of fully densified aluminum trihydrate mineral fillers, homogeneously blended in an engineered, UV stabilized, acrylic modified polyester resin.

ADA accessibility shall incorporate a rear drain with integrally sloped trench, allowing for unobtrusive and complete draining of the shower area. The rear drain is available in Left, Center, and Right configurations to best suit individual installations.
(Consult local code requirements for ADA design integration.)

The shower base shall have integrally molded support bracing on bottom; negative sloped non-slip textured interior floor; integral perimeter flanges, threshold, and curb; and 2" no-hub drain connection.

Durability and Biological Resistance:

Aquasurf® Solid Surface Products Shower Bases offer high impact, chip, scratch and burn resistance. Topical surface damages can easily be repaired with minor abrasive applications (3M #7448 Scotch-Brite™). The viral, bacteriological, chemical, mildew, and mold resistance provides a sanitary, easily cleaned, durable, low maintenance component.

Optional Features:

Aquasurf® Solid Surface Products wall panel kit is an available option. Wall panel kits come with color-matched overlay battens, coved corners, and soap/shampoo assemblies, providing all components required for a complete shower area enclosure (refer to Model Number and Options sheet for option designation).

visit our website at www.willoughby-ind.com
5105 West 78th Street • Indianapolis, IN. 46268
(317) 875-0830 • Fax: (317) 875-0837 • (800) 428-4065



MADE IN THE U.S.A.

MODEL NUMBER AND OPTIONS:

1.) Base Type:

- AS-S3636ADA Aquasurf® Solid Surface, 36x36, ADA-Compliant, Transfer Shower Base with Integral Rear Trench Drain

4.) Commercial Wall Kit Option (1/4" Panels):

- ASK-S363684 (3) 36" x 84" Panels
 (AS-IS-CV8) Inside Corner Cove Overlay

2.) Drain Position (See Drawing Below):

- L Left Drain
 C Center Drain
 R Right Drain

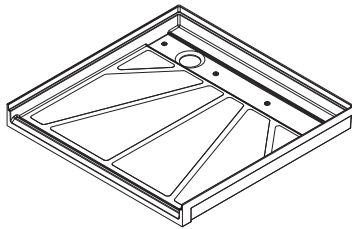
5.) Accessories:

- AS-SSH Soap/Shampoo Holder

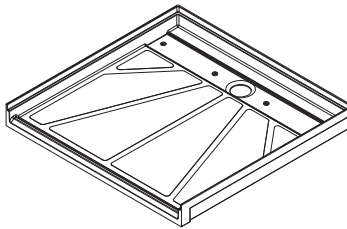
3.) Solid Surface Colors:

- BN Bone
 GW Glacier White
 GG Grey Granite
 SS Sandstone
 WG White Granite
 BG Black Granite
 NB Nocturnal Blue
 RC Red Coral
 SG Sea Green

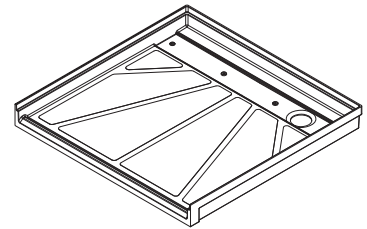
Approved For Manufacturing By: _____ Date: _____ Company: _____



AS-S3636ADA-L (LEFT DRAIN)

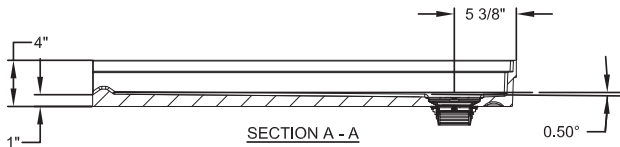


AS-S3636ADA-C (CENTER DRAIN)

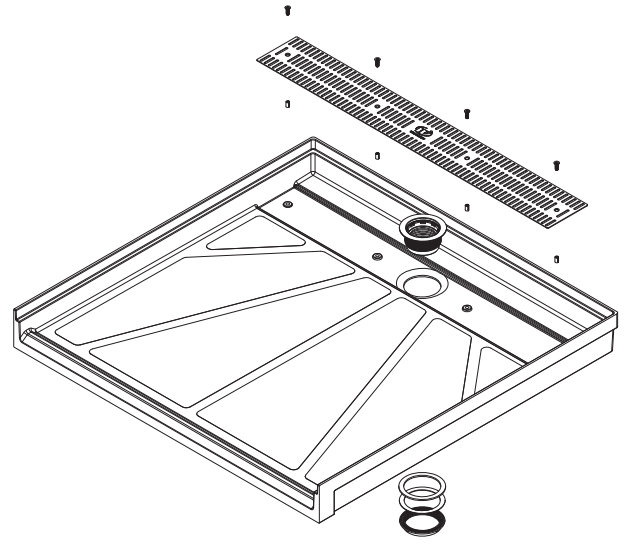
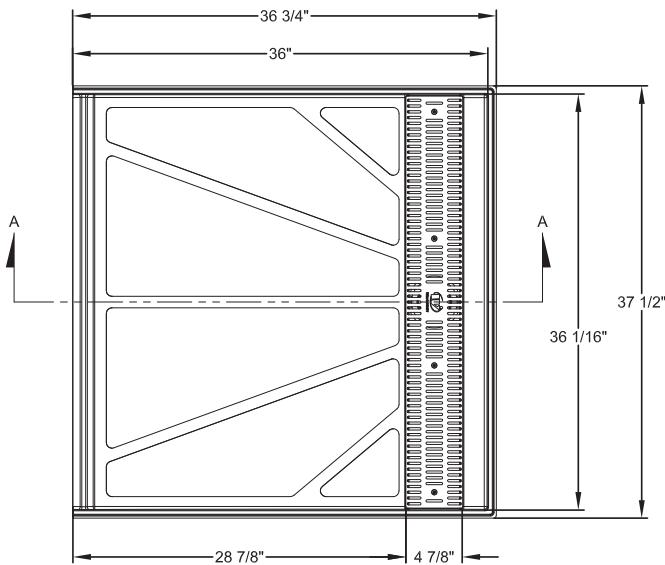


AS-S3636ADA-R (RIGHT DRAIN)

VERIFY ALL DIMENSIONS WITH FACTORY PRIOR TO ROUGH-IN
 WILLOUGHBY RESERVES THE RIGHT TO MAKE CHANGES IN DESIGN AND DIMENSIONS WITHOUT FORMAL NOTICE AND WITHOUT INCURRING OBLIGATION.



 **IN COMPLIANCE WITH A.D.A. 2010**



EXPLODED VIEW

visit our website at www.willoughby-ind.com
 5105 West 78th Street • Indianapolis, IN. 46268
 (317) 875-0830 • Fax: (317) 875-0837 • (800) 428-4065



MADE IN THE U.S.A.