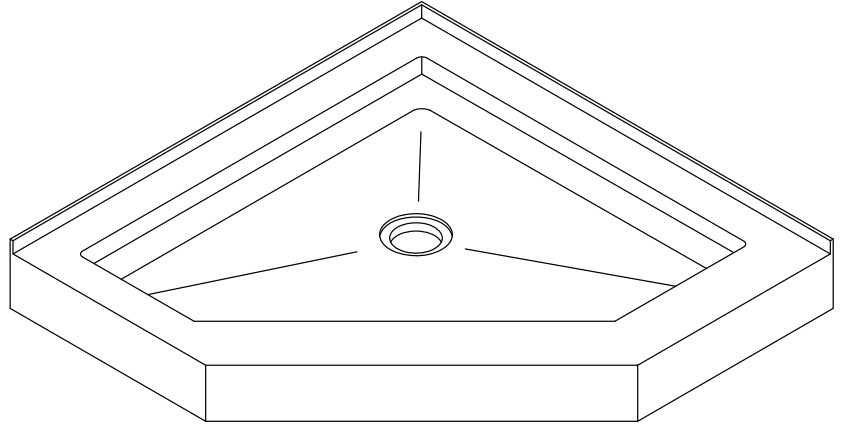


Aquasurf® Solid Surface Shower Base Round, Angular



(NEO ANGLE SHOWN)

To specify fixture and accessories, use the Model Number and Options page.

Example: To specify a 36" neo-angle base in Glacier White

Use the following Willoughby Model Number:
AS-S36NEO-GW

Recommended Specifications

Solid Surface Shower Base shall be:
Willoughby Aquasurf® Model No. **AS-____**
(Select from model number and options list on next page)

Aquasurf® Solid Surface Products Shower Bases are designed for single and multiple applications. The Shower Base shall be a monolithic cast component. Aquasurf® Solid Surface Products polymer materials, composed of fully densified aluminum trihydrate mineral fillers, homogeneously blended in an engineered, UV stabilized, acrylic modified polyester resin.

Shower Base shall have integrally molded support bracing on bottom, positive sloped non-slip textured interior floor and integral perimeter flange. Aquasurf® Solid Surface Products Shower Base shall incorporate integral threshold, curb and Ø3-1/2" standard opening for Ø2" no-hub drain connection. Drain is included.

Shower Base shall be available in solid color or granite pattern solid surface (specify color selection).

Solid Surface Shower Base shall comply with ANSI Z124.2.

Vandal Resistance:

Aquasurf® Solid Surface Products Shower Bases offer high impact, chip, scratch and burn resistance. Topical surface damages can easily be repaired with minor abrasive applications (3M #7448 Scotch-Brite™). The viral, bacteriological, chemical, mildew and mold resistance provides a sanitary, easily cleaned, durable, low maintenance component.

Optional Features:

Aquasurf® Solid Surface Products wall panel kits with overlay battens, coved corners and soap/shampoo assemblies provide all components required to complete shower area enclosure (refer to selection sheet for unit designation).

visit our website at www.willoughby-ind.com

5105 West 78th Street • Indianapolis, IN. 46268
(317) 875-0830 • Fax: (317) 875-0837 • (800) 428-4065



MADE IN THE U.S.A.

MODEL NUMBER AND OPTIONS:

1.) Base Type:

- AS-S36NEO 36x36 Neo-Angle Base
- AS-S42NEO 42x42 Neo-Angle Base
- AS-S36RND 36x36 Round Front Base

2.) Commercial Wall Kits (1/4" Panels):

- ASK-S36NEO (2)-36x84 Panels
(2)-18x84 Jamb Panels
(3)-AS-IS-CV8 Inside Corner Cove Overlay
- ASK-S42NEO (2)-42x84 Panels
(2)-24x84 Jamb Panels
(3)-AS-IS-CV8 Inside Corner Cove Overlay
- ASK-S36RND (2)-36x84 Panels
(1)-AS-IS-CV8 Inside Corner Cove Overlay

3.) Accessories:

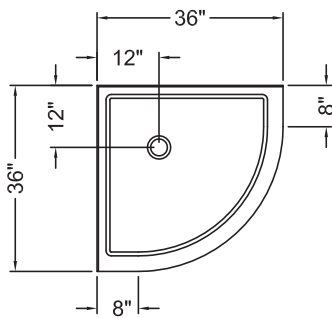
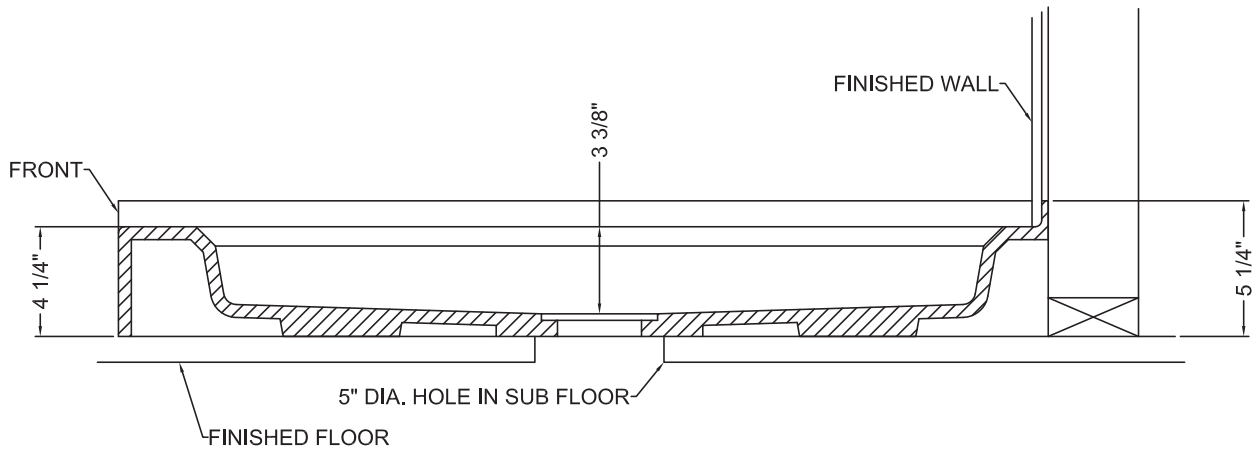
- AS-SSH Soap/Shampoo Holder

4.) Solid Surface Color:

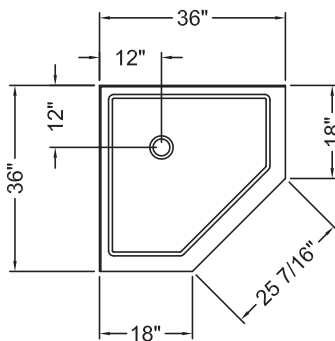
- BN Bone
- GW Glacier White
- GG Grey Granite
- SS Sandstone
- WG White Granite
- BG Black Granite
- NB Nocturnal Blue
- RC Red Coral
- SG Sea Green

Approved For Manufacturing By: _____ Date: _____ Company: _____
 Wall Thickness: _____ Wall Type: _____

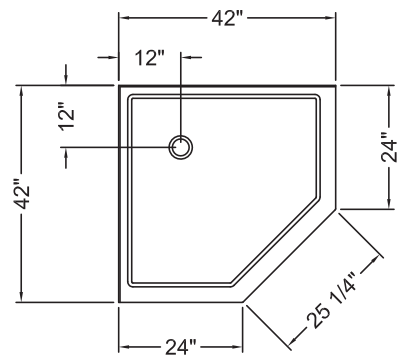
VERIFY ALL DIMENSIONS WITH FACTORY PRIOR TO ROUGH-IN
 WILLOUGHBY RESERVES THE RIGHT TO MAKE CHANGES IN DESIGN AND DIMENSIONS WITHOUT FORMAL NOTICE AND WITHOUT INCURRING OBLIGATION.



AS-S36RND



AS-S36NEO



AS-S42NEO

visit our website at www.willoughby-ind.com
 5105 West 78th Street • Indianapolis, IN. 46268
 (317) 875-0830 • Fax: (317) 875-0837 • (800) 428-4065



MADE IN THE U.S.A.