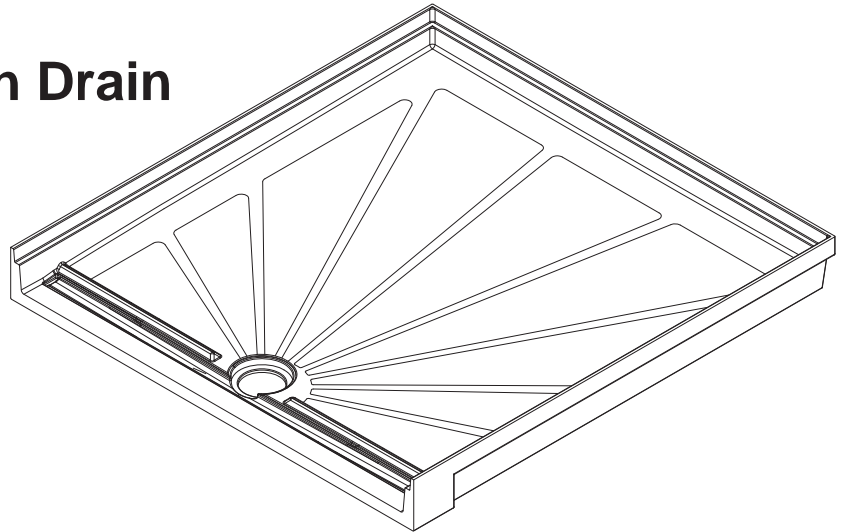


## AS-S3840FA Aquasurf® Solid Surface 36x36 ADA-Compliant Transfer Shower Base w/ Integral Front Trench Drain



To specify fixture and accessories, use the Model Number and Options page.

Example: To specify an Aquasurf® Solid Surface, 36x36, ADA-Compliant, Transfer Shower Base with Integral Front Trench Drain in glacier white

Use the following Willoughby Model Number:  
**AS-S3840FA-GW**

### Recommended Specifications

Aquasurf® Solid Surface, 36x36, ADA-Compliant, Transfer Shower Base with Integral Front Trench Drain shall be:  
Willoughby Model No. **AS-S3840FA**  
(Select from model number and options list on next page)

Aquasurf® Solid Surface Products Shower Bases are designed for single and multiple applications. The Shower Base shall be a monolithic cast component of Aquasurf® Solid Surface Products polymer materials, composed of fully densified aluminum trihydrate mineral fillers, homogeneously blended in an engineered, UV stabilized, acrylic modified polyester resin.

Shower Base shall have integrally molded support bracing on bottom, positive sloped non-slip textured interior floor and integral perimeter flange. Aquasurf® Solid Surface Products Shower Base shall incorporate integral threshold, curb and 2" no-hub drain connection.

ADA Accessibility (consult local code requirements for design integration) shall incorporate a front forward drain with integrally sloped trench, allowing for drainage of shower curtain run-off. The integral front transition strip shall provide room floor drainage toward trench and shower access ramping.

### Durability and Biological Resistance:

Aquasurf® Solid Surface Products Shower Bases offer high impact, chip, scratch and burn resistance. Topical surface damages can easily be repaired with minor abrasive applications (3M #7448 Scotch-Brite™). The viral, bacteriological, chemical, mildew, and mold resistance provides a sanitary, easily cleaned, durable, low maintenance component.

### Optional Features:

Aquasurf® Solid Surface Products wall panel kits with overlay battens, coved corners and soap/shampoo assemblies provide all components required to complete shower area enclosure (refer to selection sheet for unit designation).

visit our website at [www.willoughby-ind.com](http://www.willoughby-ind.com)  
5105 West 78th Street • Indianapolis, IN. 46268  
(317) 875-0830 • Fax: (317) 875-0837 • (800) 428-4065



MADE IN THE U.S.A.

# MODEL NUMBER AND OPTIONS:

## 1.) Base Type:

- AS-S3840FA Aquasurf® Solid Surface, 36x36, ADA-Compliant, Transfer Shower Base with Integral Front Trench Drain

## 2.) Commercial Wall Kits (1/4" Panels):

- ASK-S363684 (3) 36" x 84" Panels
- (2) (AS-IS-CV8) Inside Corner Cove Overlay

## 3.) Accessories:

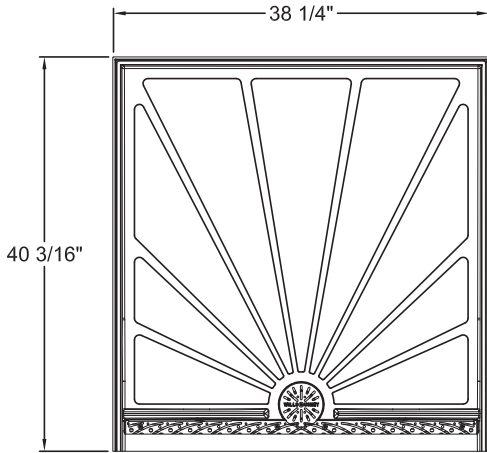
- AS-SSH Soap/Shampoo Holder

## 4.) Solid Surface Colors:

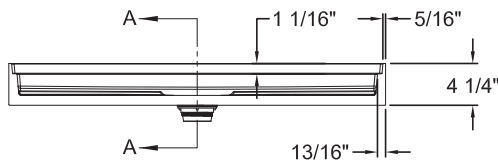
- BN Bone
- GW Glacier White
- GG Grey Granite
- SS Sandstone
- WG White Granite
- BG Black Granite
- NB Nocturnal Blue
- RC Red Coral
- SG Sea Green

Approved For Manufacturing By: \_\_\_\_\_ Date: \_\_\_\_\_ Company: \_\_\_\_\_

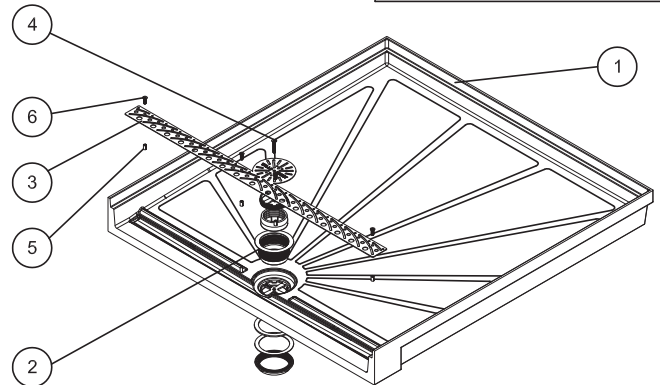
**VERIFY ALL DIMENSIONS WITH FACTORY PRIOR TO ROUGH-IN**  
WILLOUGHBY RESERVES THE RIGHT TO MAKE CHANGES IN DESIGN AND DIMENSIONS WITHOUT FORMAL NOTICE AND WITHOUT INCURRING OBLIGATION.



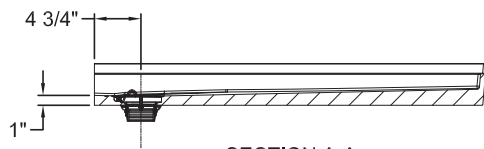
PLAN VIEW



FRONT VIEW



EXPLODED VIEW



SECTION A-A



ITEM #	PART #	DESCRIPTION	QTY.
1	AS-S3840FA	AS-S3840FA SHOWER BASE	1
2	900520S	DRAIN ASSEMBLY, W/ MOD. INTERNAL RING	1
3	S005314	TRENCH DRAIN COVER	1
4	800127	1/4-20 X 1-1/2" FH SECURITY SCREW	1
5	991020	INSERT, BRASS, 1/4-20 x 1/2"	4
6	4503SSN	SCREW, 1/4-20 X 3/4" SECURITY SCREW (FH)	4

visit our website at [www.willoughby-ind.com](http://www.willoughby-ind.com)  
5105 West 78th Street • Indianapolis, IN. 46268  
(317) 875-0830 • Fax: (317) 875-0837 • (800) 428-4065



MADE IN THE U.S.A.