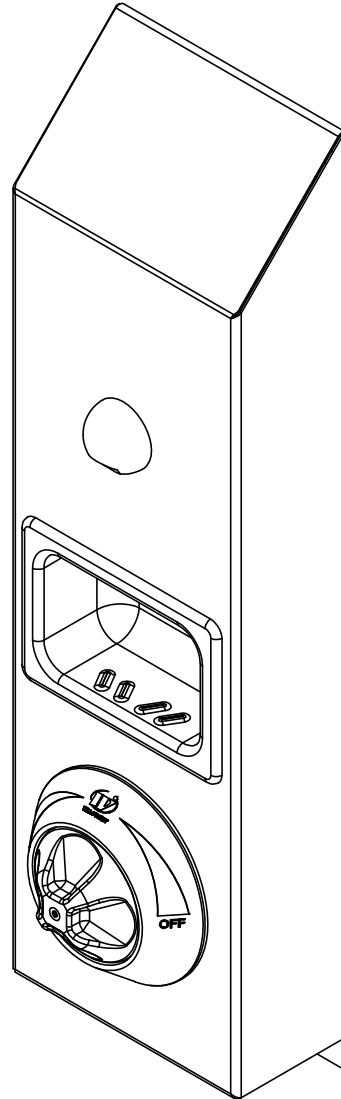


ASCWSMS Series Ligature-resistant Surface Mounted Wall Shower



Recommended Specifications

Single Station, Ligature-resistant, Surface Mounted Wall Shower shall be: Willoughby Model No. **ASCWSMS**
(Select from model number and options list on next page)

Shower panel shall be fabricated from 16 gauge, Type 304 stainless steel with exposed stainless surfaces polished to a #4 satin finish.

Standard equipment shall include:

- Shower valves (from Valve Selection options list)
- Ligature-resistant push buttons
- (CSH) ligature-resistant shower head
- Ligature-resistant sloped cabinet top
- Z-clip mounting bracket

Anchoring shall be by Z-clip and bottom flange with anchoring hardware by others. Shower unit shall be factory assembled, tested for proper operation, and ready for installation by a contractor. Unit requires no chase area for installation and maintenance.

(Unit may be shown with optional features)

To specify fixture and accessories, use the Model Number and Options page.

Example: To specify a Single Station, Ligature-resistant, Surface Mounted Wall Shower with ligature-resistant temp/pressure-balancing mixing valve, standard 2.5 GPM flow rate, standard CSH ligature-resistant shower head, and recessed soap dish

Use the following Willoughby Model Number:

ASCWSMS-TPLR-2.5-CSH-RD

visit our website at www.willoughby-ind.com

5105 West 78th Street • Indianapolis, IN. 46268

(317) 875-0830 • Fax: (317) 875-0837 • (800) 428-4065



MADE IN THE U.S.A.

MODEL NUMBER AND OPTIONS:

1.) Base Model Number:

ASCWSMS Ligature-resistant, Surface Mounted Wall Shower

5.) Electronic Control* (Must Use Electronic Push Button):

WUSC-2200 WUSC-2400 Pneutronic

2.) Valve Selection:

- NV No Valve
- PML1 Single Temp. Pneumatic Metering
- PML2 Dual Temp. Pneumatic Metering
- E1L1 Single Temp. Electronic (w/ Pneutronic Control)*
- E1L2 Dual Temp. Electronic (w/ Pneutronic Control)*
- TPLR Ligature-resistant Temp/Pressure-balancing Mixing Valve

6.) Shower Head Options:

CSH Ligature-resistant Shower Head (Standard)

7.) Other Options:

- TF24H Hard-wired Transformer, 110VAC to 24VAC* (Standard)
- TF24P Plug-in Transformer, 110VAC to 24VAC*
- TMV Inline Thermostatic Mixing Valve
- RD Recessed Mounted Soap Dish
- RSD2 Recessed Soap Dish (In-Wall Mounted)
- ASGB Ligature-resistant Grab Bar (Wall Mounted, Specify Dimensions):

3.) Push Button Selection:

Pneumatic or Electronic Valves Only:

- PBH Ligature-resistant Push Buttons
- EPBH Ligature-resistant Electronic Push Buttons*
- PZPB Piezo Electronic Push Buttons*

PS Pipe Shroud (Wall Mounted, Specify Length): _____

Other _____

Other _____

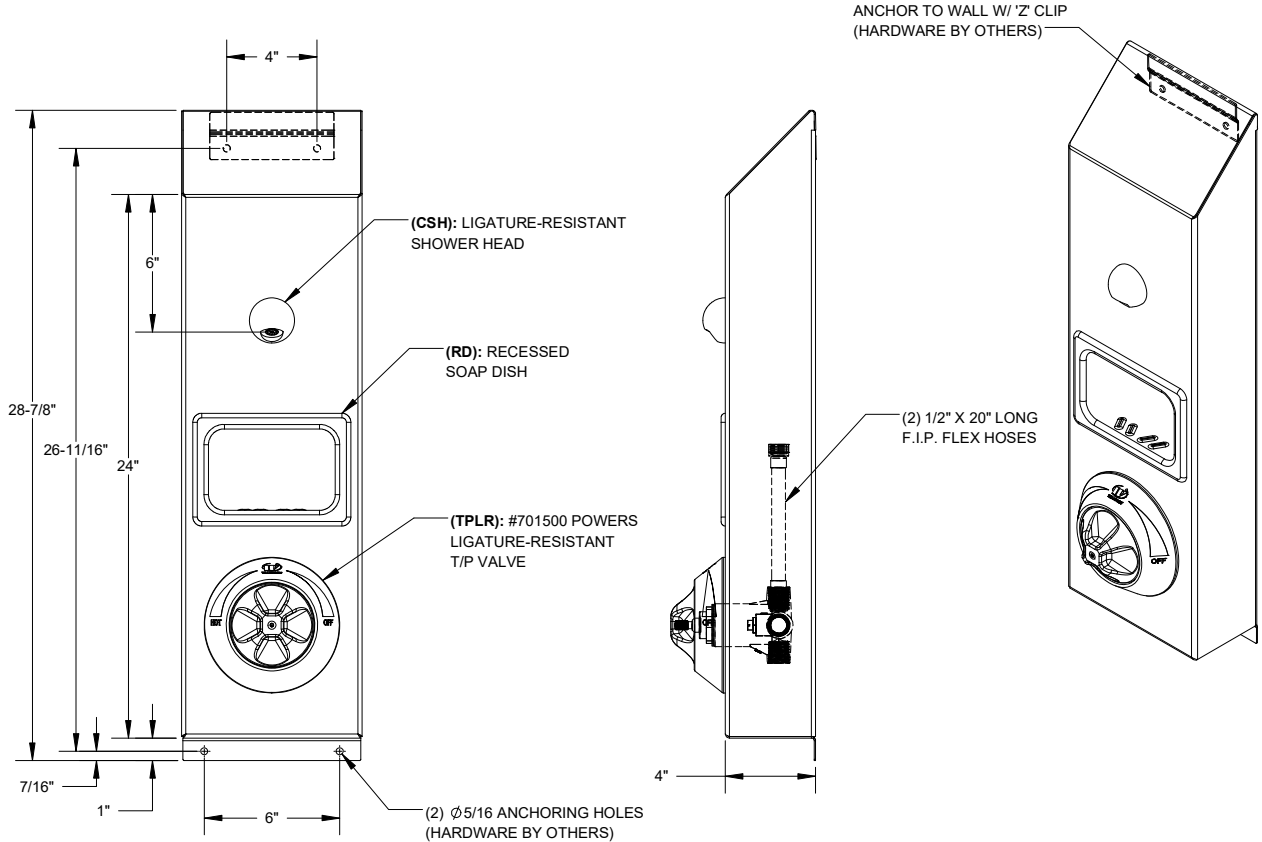
* (Req. 110V power through ground fault interrupter (GFCI) receptacle)

4.) Flow Rates:

2.5 GPM (Standard) 2.0 GPM 1.5 GPM

Approved For Manufacturing By: _____ Date: _____ Company: _____
 Wall Thickness: _____ Wall Type: _____

VERIFY ALL DIMENSIONS WITH FACTORY PRIOR TO ROUGH-IN
 WILLOUGHBY RESERVES THE RIGHT TO MAKE CHANGES IN DESIGN AND DIMENSIONS WITHOUT FORMAL NOTICE AND WITHOUT INCURRING OBLIGATION.



visit our website at www.willoughby-ind.com
 5105 West 78th Street • Indianapolis, IN. 46268
 (317) 875-0830 • Fax: (317) 875-0837 • (800) 428-4065



MADE IN THE U.S.A.