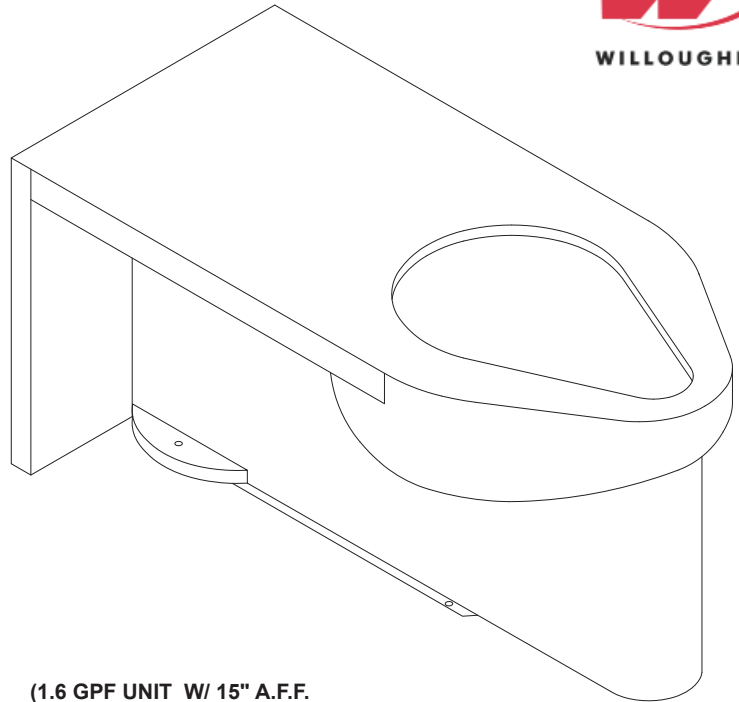


ASETf-1490-FM Ligature-resistant Floor Outlet Floor Mounted Siphon Jet Series Water Closet



IN COMPLIANCE
WITH A.D.A. 2010

* USE "HC" SUFFIX FOR
18" A.F.F. SEAT HEIGHT

(1.6 GPF UNIT W/ 15" A.F.F.
SEAT HEIGHT* SHOWN)
(Unit may be shown with optional features)

To specify fixture and accessories, use the Model Number and Options page.

Example: To specify a Ligature-resistant, Floor Outlet, Floor Mounted, Siphon Jet Series Toilet with back spud, standard 15" seat height, 1.6 GPF, standard gasketed waste connection, floor outlet waste connection, hydraulic flush valve, flush valve connection, high polish seat, wall sleeve, and toilet shipping cover

Use the following Willoughby Model Number:

ASETf-1490-FM-BS-1.6-GWC-TW4-FV-FVT-HPS-WS-TSC

Recommended Specifications

Ligature-resistant, Floor Outlet, Floor Mounted, Siphon Jet Series Toilet shall be: Willoughby Model No. **ASETf-1490-FM**
(Select from model number and options list on next page)

Fixture shall be fabricated from 14 gauge, type 304 stainless steel. The construction shall be all welded, with exposed stainless surfaces polished to a #4 satin finish.

Standard toilet shall include:

- Elongated toilet bowl with contoured seat
- Integral crevice-free self-draining flushing rim with positive afterfill
- Fully enclosed 2-1/2" O.D. trap which shall maintain a minimum 2" seal and pass a 2-1/8" ball
- Bead blast finish bowl interior

Toilet shall be siphon jet type, requiring 35 PSI minimum flushing pressure. Model shall meet the requirements of ASME A112.19.3/CSA B45.4.

Fixture shall withstand loadings of 5,000 lbs. without permanent damage.

Standard ligature-resistant toilet skirt shall extend to floor as close to front of toilet bowl as possible, virtually eliminating open space under the fixture.

Anchoring shall be by standard 4-point system: threaded rods, nuts and washers shall be furnished for walls up to 8" thick. Floor anchoring hardware by others.

Unit shall require chase area for installation and maintenance.

Note: For HET 1.28 GPF, unit will pass a 2" ball.

visit our website at www.willoughby-ind.com

5105 West 78th Street • Indianapolis, IN. 46268
(317) 875-0830 • Fax: (317) 875-0837 • (800) 428-4065



MADE IN THE U.S.A.

MODEL NUMBER AND OPTIONS:

1.) Base Model Number:

- ASETF-1490-FM Ligature-resistant, Floor Outlet, Floor Mounted, Siphon Jet Series Toilet

2.) Inlet Location:

- BS Back Spud
 TS Top Spud

3.) Toilet Seat Height:

- 15" Seat Height (Standard)
 HC 18" Seat Height, Handicap-ADA Compliant

4.) Flush Valve GPF (Must Specify):

- 1.28 GPF HET
 1.6 GPF ULF (Standard)
 3.5 GPF (3" waste tube required)

5.) Toilet Waste:

- GWC Gasketed Waste Connection (Standard)
 TW4 Floor Outlet Waste Connection
 WO3 3" Toilet 'P' Trap (3.5 GPF Only)

6.) Other Options:

- T4 Manual Reset Toilet Overflow Preventer, Requires: (FV) Hydraulic Flush Valve and Accessible Chase
 T4A Auto Reset Toilet Overflow Preventer, Requires: (FV) Hydraulic Flush Valve and Accessible Chase
 ET4 Electronic Toilet Overflow Preventer*, Requires (EFV), Accessible Chase, & (WUCC-3010) or (WMSII) control
 FV Hydraulic Flush Valve (Includes Actuator)
 EFV Electronic Flush Valve (Pick Control)*
 EFVP Electronic Flush Valve w/ (PZPB) Piezo Push Button (Pick Control)*
 FVT Flush Valve Connection (Back Spud Only)
 ASFVC Ligature-resistant Flush Valve Cover (Top Spud Only)
 ASFVCADA Ligature-resistant ADA Flush Valve Cover (Top Spud Only)
 AP Flush Valve Access Panel (Allows access to chase mounted flush valve from fixture side)
 DC Decorator Color (Fixture exterior only - White)
 TF24H Hard-wired Transformer, 110VAC to 24VAC*
 TF24P Plug-in Transformer, 110VAC to 24VAC*
 HPS High Polish Seat
 MT Wall Template
 WS Wall Sleeve (Requires Accessible Chase)
 TSC Toilet Shipping Cover
 ASRTH1 Ligature-resistant Wall Mounted Recessed Tissue Holder (Rear Mounted, Requires Accessible Chase)
 ASRTH2 Ligature-resistant Wall Mounted Recessed Tissue Holder (Front Mounted, 4-1/2" Depth)
 ASRTH3 Ligature-resistant Wall Mounted Recessed Tissue Holder For 4" Stud Wall (Front Mounted, 3-1/2" Depth)
 Other _____
 Other _____

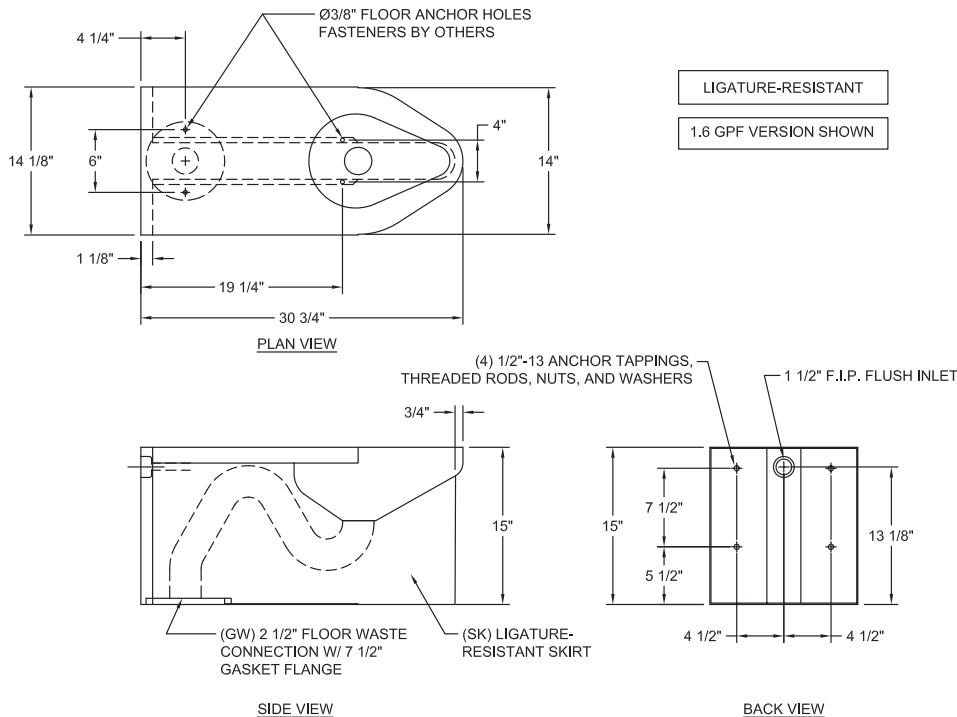
7.) Electronic Controls* (Must Use Electronic Flush Valve):

- WUFC-4000 Pneutronic WMSII
 WUCC-3010 (Select WUCC-3010 Control if pairing a Toilet with a Lavatory or if the Toilet is selected with an (ET4) overflow option)

*(Req. 110V power through ground fault interrupter (GFCI) receptacle)

Approved For Manufacturing By: _____ Date: _____ Company: _____
 Wall Thickness: _____ Wall Type: _____

VERIFY ALL DIMENSIONS WITH FACTORY PRIOR TO ROUGH-IN
 WILLOUGHBY RESERVES THE RIGHT TO MAKE CHANGES IN DESIGN AND DIMENSIONS WITHOUT FORMAL NOTICE AND WITHOUT INCURRING OBLIGATION.



visit our website at www.willoughby-ind.com
 5105 West 78th Street • Indianapolis, IN. 46268
 (317) 875-0830 • Fax: (317) 875-0837 • (800) 428-4065



MADE IN THE U.S.A.