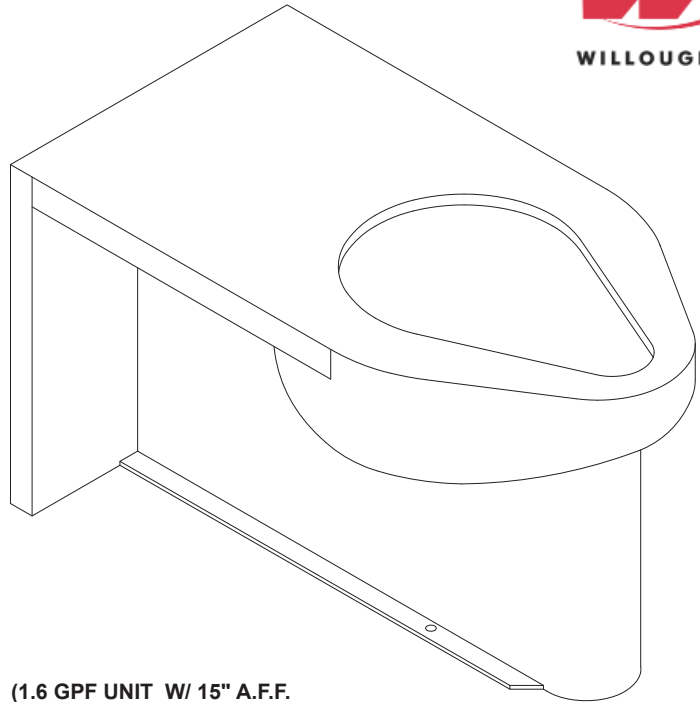


## ASETWS-1490-FM Ligature-resistant Wall Outlet Floor Mounted Siphon Jet Series Water Closet



(1.6 GPF UNIT W/ 15" A.F.F.  
SEAT HEIGHT\* SHOWN)  
*(Unit may be shown with optional features)*



IN COMPLIANCE  
WITH A.D.A. 2010

\* USE "HC" SUFFIX FOR  
18" A.F.F. SEAT HEIGHT

To specify fixture and accessories, use the Model Number and Options page.

Example: To specify a Ligature-resistant, Wall Outlet, Floor Mounted Siphon Jet Series Toilet with back spud, standard 15" seat height, 1.6 GPF, toilet waste extension, 3" PVC waste coupling, hydraulic flush valve, flush valve connection, high polish seat, wall sleeve, and toilet shipping cover

Use the following Willoughby Model Number:  
**ASETWS-1490-FM-BS-1.6-TWE-TWC3P-FV-FVT-HPS-WS-TSC**

### Recommended Specifications

Ligature-resistant, Wall Outlet, Floor Mounted, Siphon Jet Series Toilet shall be: Willoughby Model No. **ASETWS-1490-FM** (Select from model number and options list on next page)

Fixture shall be fabricated from 14 gauge, type 304 stainless steel. The construction shall be all welded, with exposed stainless surfaces polished to a #4 satin finish.

Standard toilet shall include:

- Elongated toilet bowl with contoured seat
- Integral crevice-free self-draining flushing rim with positive afterfill
- Fully enclosed 2-1/2" O.D. trap which shall maintain a minimum 2" seal and pass a 2-1/8" ball
- Bead blast finish bowl interior

Toilet shall be siphon jet type, requiring 35 PSI minimum flushing pressure. Model shall meet the requirements of ASME A112.19.3/CSA B45.4.

Fixture shall withstand loadings of 5,000 lbs. without permanent damage.

Standard ligature-resistant toilet skirt shall extend to floor as close to front of toilet bowl as possible, virtually eliminating open space under the fixture.

Anchoring shall be by standard 6-point system: (4 in the wall and 2 in the floor): threaded rods, nuts and washers shall be furnished for walls up to 8" thick. Floor anchoring hardware by others.

Unit shall require chase area for installation and maintenance.

***On back to back fixture installations, do not use standard cross type waste fitting: cross flow may result due to blowout jet action. Use sanitary or off-set type waste fittings.***

Note: For HET 1.28 GPF, unit will pass a 2" ball.

visit our website at [www.willoughby-ind.com](http://www.willoughby-ind.com)

5105 West 78th Street • Indianapolis, IN. 46268  
(317) 875-0830 • Fax: (317) 875-0837 • (800) 428-4065



MADE IN THE U.S.A.

# MODEL NUMBER AND OPTIONS:

## 1.) Base Model Number:

- ASETWS-1490-FM      Ligature-resistant, Wall Outlet, Floor Mounted, Siphon Jet Series Toilet

## 2.) Inlet Location:

- BS      Back Spud  
 TS      Top Spud

## 3.) Toilet Seat Height:

- 15" Seat Height (Standard)  
 HC      18" Seat Height, Handicap-ADA Compliant

## 4.) Flush Valve GPF (Must Specify):

- 1.28 GPF HET  
 1.6 GPF ULF (Standard)  
 3.5 GPF (3" waste tube required)

## 5.) Toilet Waste:

- TWE      Toilet Waste Extension (Standard)  
 TW3      3" Clean-out for (TWE)  
 TW5      4" Clean-out for (TWE)  
 GWC      Gasketed Waste Connection  
 WO3      3" Toilet 'P' Trap (3.5 GPF Only)  
 PC3      Pinned Clean-out Plug PVC-3"  
 PCB3      Pinned Clean-out Plug Brass-3"  
 PC4      Pinned Clean-out Plug PVC-4"  
 PCB4      Pinned Clean-out Plug Brass-4"  
 COH4      4" Clean-out Hook, 4" PVC Plug

## 6.) Waste Coupling for (TWE) Toilet Waste Extension:

- TWC3P      Connecting to 3" PVC  
 TWC3C      Connecting to 3" Cast Iron  
 TWC4P      Connecting to 4" PVC  
 TWC4C      Connecting to 4" Cast Iron

## 7.) Other Options:

- T4      Manual Reset Toilet Overflow Preventer, Requires: (FV) Hydraulic Flush Valve and Accessible Chase  
 T4A      Auto Reset Toilet Overflow Preventer, Requires: (FV) Hydraulic Flush Valve and Accessible Chase  
 ET4      Electronic Toilet Overflow Preventer\*, Requires (EFV), Accessible Chase, & (WUCC-3010) or (WMSII) control  
 FV      Hydraulic Flush Valve (Includes Actuator)  
 EFV      Electronic Flush Valve (Pick Control)\*  
 EFVP      Electronic Flush Valve w/ (PZPB) Piezo Push Button (Pick Control)\*  
 TFE      Toilet Flush Extension  
 FVT      Flush Valve Connection (Back Spud Only)  
 ASFVC      Ligature-resistant Flush Valve Cover (Top Spud Only)  
 ASFVCADA      Ligature-resistant ADA Flush Valve Cover (Top Spud Only)  
 AP      Flush Valve Access Panel (Allows access to chase mounted flush valve from fixture side)  
 DC      Decorator Color (Fixture exterior only - White)  
 TF24H      Hard-wired Transformer, 110VAC to 24VAC\*  
 TF24P      Plug-in Transformer, 110VAC to 24VAC\*  
 HPS      High Polish Seat  
 MT      Wall Template  
 WS      Wall Sleeve (Requires Accessible Chase)  
 TSC      Toilet Shipping Cover  
 ASRTH1      Ligature-resistant Wall Mounted Recessed Tissue Holder (Rear Mounted, Requires Accessible Chase)  
 ASRTH2      Ligature-resistant Wall Mounted Recessed Tissue Holder (Front Mounted, 4-1/2" Depth)  
 ASRTH3      Ligature-resistant Wall Mounted Recessed Tissue Holder For 4" Stud Wall (Front Mounted, 3-1/2" Depth)  
 Other \_\_\_\_\_

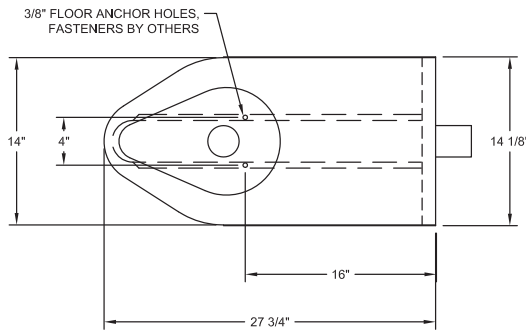
## 8.) Electronic Controls\* (Must Use Electronic Flush Valve):

- WUFC-4000       Pneutronic       WMSII  
 WUCC-3010 (Select WUCC-3010 Control if pairing a Toilet with a Lavatory or if the Toilet is selected with an (ET4) overflow option)

\*(Req. 110V power through ground fault interrupter (GFCI) receptacle)

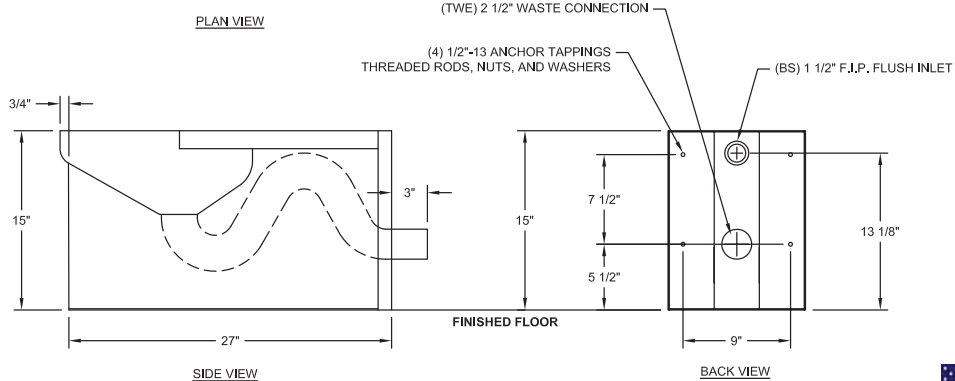
Approved For Manufacturing By: \_\_\_\_\_ Date: \_\_\_\_\_ Company: \_\_\_\_\_  
 Wall Thickness: \_\_\_\_\_ Wall Type: \_\_\_\_\_

**VERIFY ALL DIMENSIONS WITH FACTORY PRIOR TO ROUGH-IN**  
 WILLOUGHBY RESERVES THE RIGHT TO MAKE CHANGES IN DESIGN AND DIMENSIONS WITHOUT FORMAL NOTICE AND WITHOUT INCURRING OBLIGATION.



1.6 GPF VERSION SHOWN; 1.28 GPF AND 3.5 GPF MAY VARY IN SIZE

UNIT SHOWN IS NOT A.D.A. COMPLIANT (15" SEAT HEIGHT); SEE A.D.A. NOTE FROM FRONT PAGE



visit our website at [www.willoughby-ind.com](http://www.willoughby-ind.com)  
 5105 West 78th Street • Indianapolis, IN. 46268  
 (317) 875-0830 • Fax: (317) 875-0837 • (800) 428-4065



MADE IN THE U.S.A.