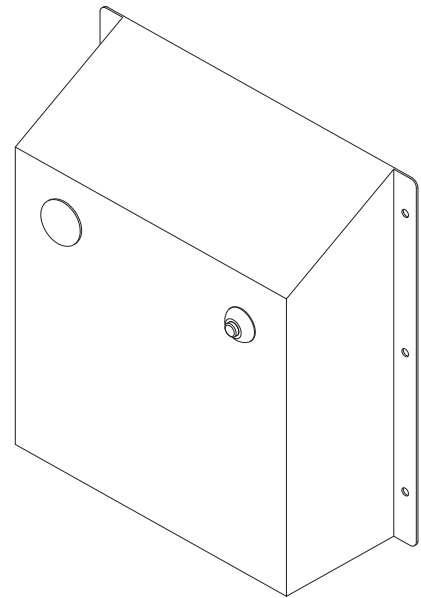


ASFVCADA Ligature-resistant ADA Compliant Flush Valve Cover

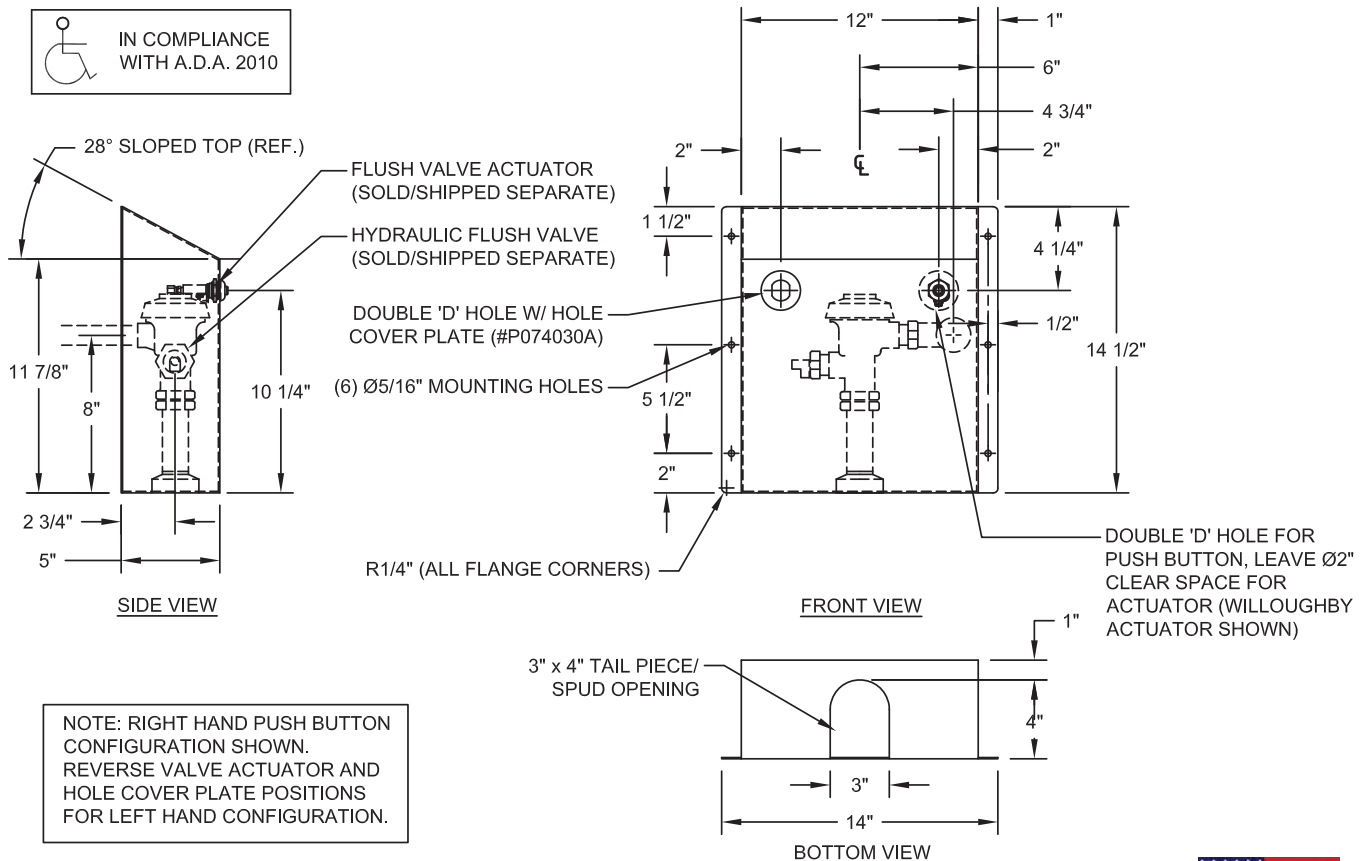
Stainless steel ligature-resistant ADA compliant flush valve cover shall be:
Willoughby Option No. **ASFVCADA**

Flush valve cover shall be fabricated from 14 gauge, type 304 stainless steel with exposed stainless steel surfaces polished to a #4 satin finish. Flush valve cover is supplied with 5/16" diameter mounting holes, anchoring hardware is provided by others. Flush valve cover shall have a ligature-resistant sloped top, (2) flush valve push button holes for a right hand or a left hand toilet and one stainless steel hole cover plate to cover the unused push button hole.



Options:

- DC Decorator Color (Fixture exterior only- White)
- For use with Willoughby push button actuator (double 'D' hole required)
- For use with Sloan push button actuator (1 1/2" diameter hole required)
- For use with another push button actuator (specify hole size: _____)



visit our website at www.willoughby-ind.com
5105 West 78th Street • Indianapolis, IN. 46268
(317) 875-0830 • Fax: (317) 875-0837 • (800) 428-4065



MADE IN THE U.S.A.