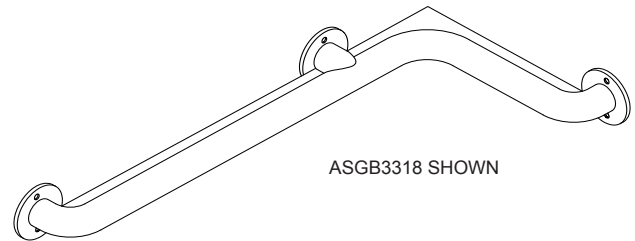
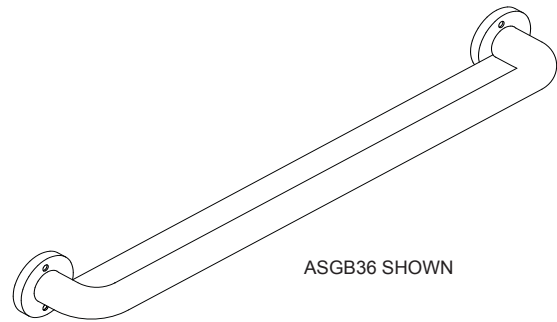


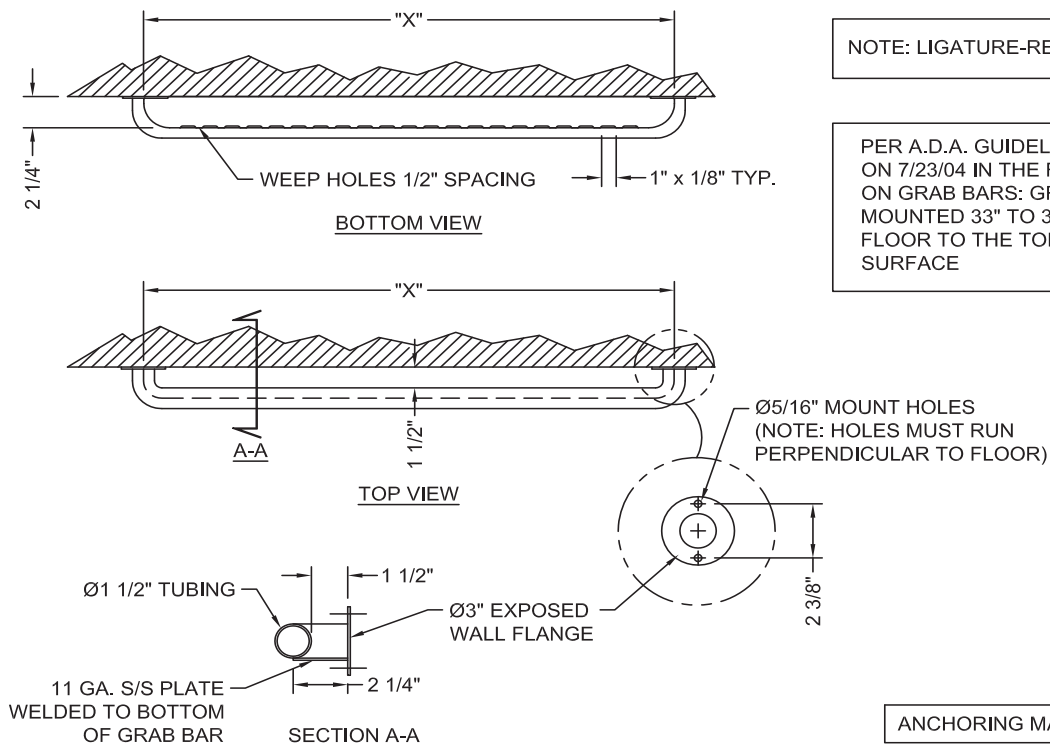
ASGB Series Ligature-resistant Grab Bars

✓	MODEL NUMBER	GRAB BAR LENGTH ("X")
	ASGB18	18"
	ASGB24	24"
	ASGB30	30"
	ASGB36	36"
	ASGB42	42"
	ASGB48	48"
	ASGB3318	33" X 18"



ASGB _____ Ligature-resistant grab bars shall be fabricated from type 304 stainless steel. Exposed stainless steel surfaces shall be polished to a #4 satin finish. Grab bar shall have 11 gauge stainless steel plate welded to bottom to give fixture a ligature-resistant design. Standard flange configuration is exposed. Grab bar fasteners and wall anchors by others.

Various configurations are available.



ANCHORING MATERIAL BY OTHERS

visit our website at www.willoughby-ind.com
 5105 West 78th Street • Indianapolis, IN. 46268
 (317) 875-0830 • Fax: (317) 875-0837 • (800) 428-4065



MADE IN THE U.S.A.