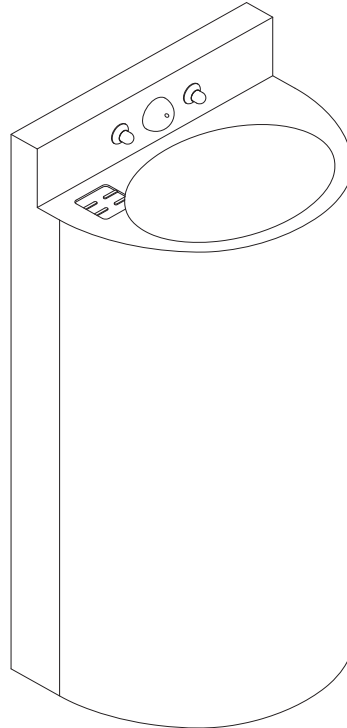


## ASHS-1013-06 18" Wide Rear Mounted Ligature-resistant Lavatory



*(Unit may be shown with optional features)*

To specify fixture and accessories, use the Model Number and Options page.

Example: To specify an 18" Wide, Rear Mounted, Ligature-resistant Lavatory with ligature-resistant bubbler and dual temp. pneumatic metering valve, ligature-resistant pneumatic push buttons, and elbow waste

Use the following Willoughby Model Number:

**ASHS-1013-06-BPH-PML2-PBH-EB**

### Recommended Specifications

18" Wide, Rear Mounted, Ligature-resistant Lavatory shall be:  
Willoughby Model No. **ASHS-1013-06**  
(Select from model number and options list on next page)

Fixture shall be fabricated from 14 GA., Type 304 stainless steel. The construction shall be all welded, with exposed stainless surfaces polished to a #4 satin finish.

Standard lavatory shall include:

- Oval-shaped bowl, 13" x 9-1/2" x 6" deep
- Stainless steel ligature-resistant bubbler/filler
- Slow drain with air vent
- Elbow waste (1-1/2" F.I.P.)
- Self-draining soap dish

Anchoring shall be by standard 4-point system: threaded rods, nuts and washers shall be furnished for walls up to 8" thick. Unit shall require chase area for installation and maintenance.

visit our website at [www.willoughby-ind.com](http://www.willoughby-ind.com)

5105 West 78th Street • Indianapolis, IN. 46268  
(317) 875-0830 • Fax: (317) 875-0837 • (800) 428-4065



MADE IN THE U.S.A.

# MODEL NUMBER AND OPTIONS:

## 1.) Base Model Number:

ASHS-1013-06 18" Wide, Rear Mounted, Ligature-resistant Lavatory

## 2.) Bubbler Selection:

BPH Ligature-resistant Bubbler/Filler (Standard)  
 FLH Ligature-resistant Lav. Filler

## 3.) Lavatory Valve Selection:

NV No Valve  
 PSL1 Single Temp. Pneumatic Non-metering  
 PSL2 Dual Temp. Pneumatic Non-metering  
 PML1 Single Temp. Pneumatic Metering  
 PML2 Dual Temp. Pneumatic Metering  
 E1L1 Single Temp. Electronic (pick control)\*  
 E1L2 Dual Temp. Electronic (pick control)\*

### Valve Manifold Options:

*Pneumatic or Electronic Only:*  
 MA2  MA3  MA4

## 4.) Lavatory Valve Actuation:

PBH Ligature-resistant Push Buttons  
 EPBH Ligature-resistant Electronic Push Buttons\*  
 PZPB Piezo Electronic Push Buttons\*

## 5.) Electronic Controls\* (Must Use Electronic Push Button):

WUCC-3010  Pneutronic  WMSII  
 (The WUCC-3010 Control can be used to pair a Lavatory with a Toilet)

## 6.) Lavatory Waste:

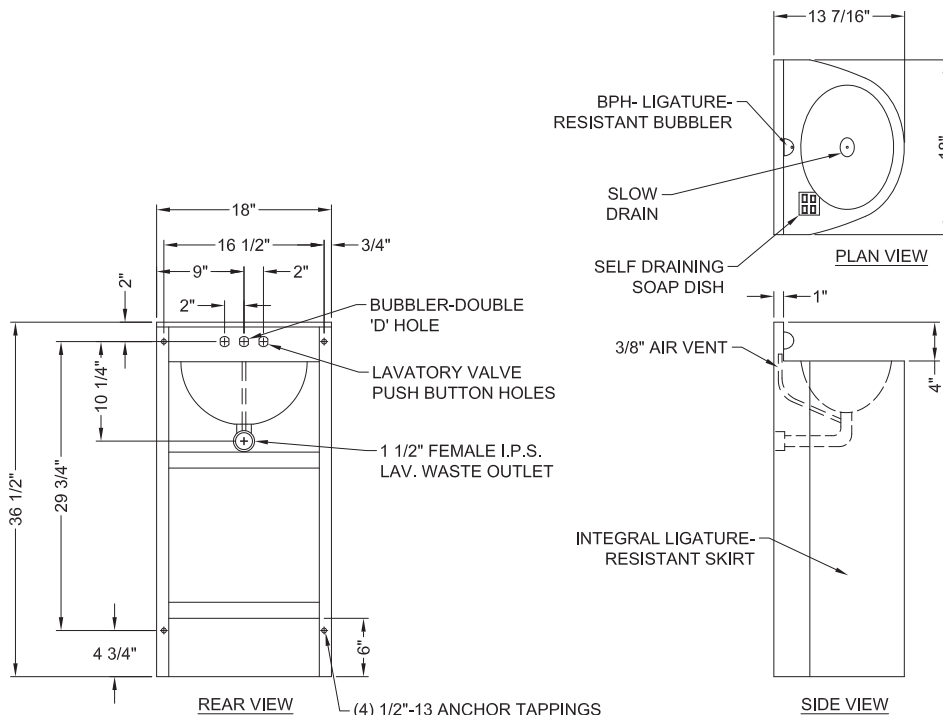
EB Elbow Waste (Standard)  
 PT Integral 'P'-Trap  
 LWL Lavatory Waste Extension  
 OV Lavatory Overflow  
 LW1 Thru-Wall Extension, 'P'-Trap  
 LW2 Thru-Wall Extension and Clean-Out  
 SLOW Slow Drain (Standard)

## 7.) Options:

MT Wall Template  
 TF24H Hard-wired Transformer, 110VAC to 24VAC\*  
 TF24P Plug-in Transformer, 110VAC to 24VAC\*  
 TH1 Single Towel Hook  
      Right  Left  
 TH2 Dual Towel Hook  
      Right  Left  
 WS Wall Sleeve (Requires Accessible Chase)  
 Other: \_\_\_\_\_  
 Other: \_\_\_\_\_  
 \*(Req. 110V power through ground fault interrupter (GFCI) receptacle)

Approved For Manufacturing By: \_\_\_\_\_ Date: \_\_\_\_\_ Company: \_\_\_\_\_  
 Wall Thickness: \_\_\_\_\_ Wall Type: \_\_\_\_\_

**VERIFY ALL DIMENSIONS WITH FACTORY PRIOR TO ROUGH-IN**  
 WILLOUGHBY RESERVES THE RIGHT TO MAKE CHANGES IN DESIGN AND DIMENSIONS WITHOUT FORMAL NOTICE AND WITHOUT INCURRING OBLIGATION.



visit our website at [www.willoughby-ind.com](http://www.willoughby-ind.com)  
 5105 West 78th Street • Indianapolis, IN. 46268  
 (317) 875-0830 • Fax: (317) 875-0837 • (800) 428-4065



MADE IN THE U.S.A.