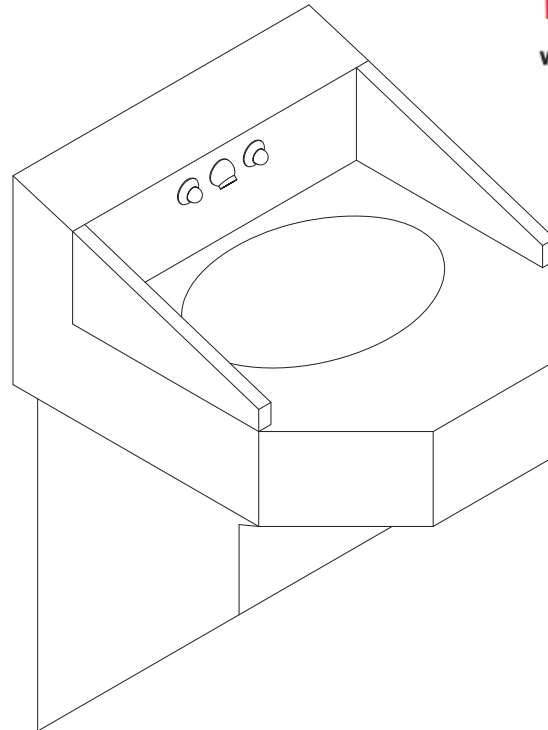


ASHS-1013-46-HC-FA Ligature-resistant Front Access Handicap 18" wide Lavatory



(Unit may be shown with optional features)



IN COMPLIANCE
WITH A.D.A. 2010

To specify fixture and accessories, use the Model Number and Options page.

Example: To specify an ASHS-1013-46-HC-FA front access ligature-resistant handicap lavatory with dual temp. pneumatic metering valve, ligature-resistant pneumatic push buttons, and removable 'p'-trap

Use the following Willoughby Model Number:

ASHS-1013-46-HC-FA-PML2-PBH-RPT

Recommended Specifications

Ligature-resistant front access handicap lavatory shall be:
Willoughby Model No. **ASHS-1013-46-HC-FA-_____**
(select from model number and options list on next page)

Fixture shall be fabricated from 14 gauge, type 304 stainless steel. The construction shall be all welded, with exposed stainless surfaces polished to a #4 satin finish.

Standard lavatory shall include:

- Oval-shaped bowl, 13" x 9-1/2" x 6" deep
- Stainless steel ligature-resistant spray head with 0.5 GPM vandal resistant aerator
- Fast drain with air vent
- (1-1/2") slip joint, cast brass union 'p'-trap
- Sloped side splashes and sloped bottom
- Removable back panel attached with vandal resistant screws

Anchoring shall be from the front with 'z'-clip and anchoring holes provided. Anchoring hardware by others. Unit requires no chase area for installation and maintenance.

visit our website at www.willoughby-ind.com

5105 West 78th Street • Indianapolis, IN. 46268

(317) 875-0830 • Fax: (317) 875-0837 • (800) 428-4065



MADE IN THE U.S.A.

MODEL NUMBER AND OPTIONS:

1.) Lavatory Type:

ASHS

2.) Base Model Number:

1013-46-HC-FA Front Access 18" Ligature-resistant Handicap Lavatory

3.) Bubblers Selection:

BPH Ligature-resistant Bubbler (Standard)
 FLH Ligature-resistant Lav. Filler

4.) Valve Selection:

NV No Valve
 PSL1 Single Temp. Pneu. Self-closing
 PSL2 Dual Temp. Pneu. Self-closing
 PML1 Single Temp. Pneu. Metering
 PML2 Dual Temp. Pneu. Metering
 E1L1 Single Temp. Electronic (pick control)*
 E1L2 Dual Temp. Electronic (pick control)*

5.) Valve Actuation:

PBH Ligature-resistant Push Buttons
 EPBH Ligature-resistant Electronic Push Buttons*
 PZPB Piezo Push Buttons*

6.) Electronic Controls* (Must Use Electronic Push Button):

Pneutronic WITS WMS II

7.) Lavatory Waste:

RPT Removable 'P'-Trap (Standard)
 OV Lavatory Overflow
 SLOW Slow Drain

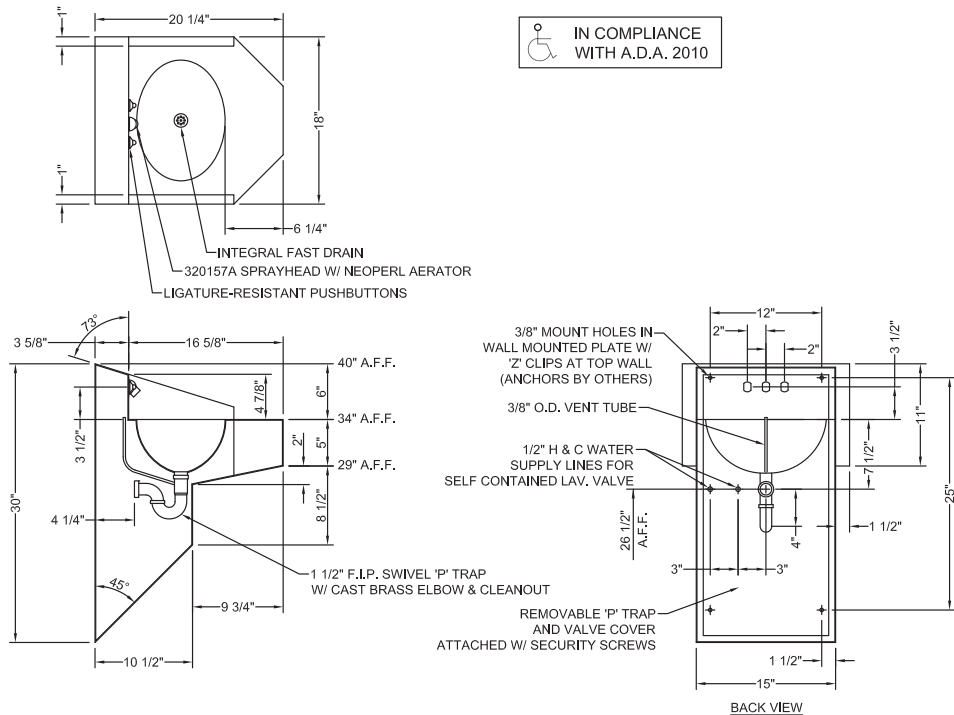
8.) Options:

MT Wall Template
 TH1 Single Towel Hook
 TH2 Dual Towel Hook
 Right Left
 Right Left
 Other: _____
 Other: _____

*(Req. 110V power through ground fault interrupter (GFCI) receptacle)

Approved For Manufacturing By: _____ Date: _____ Company: _____
 Wall Thickness: _____ Wall Type: _____

VERIFY ALL DIMENSIONS WITH FACTORY PRIOR TO ROUGH-IN
 WILLOUGHBY RESERVES THE RIGHT TO MAKE CHANGES IN DESIGN AND DIMENSIONS WITHOUT FORMAL NOTICE AND WITHOUT INCURRING OBLIGATION.



visit our website at www.willoughby-ind.com
 5105 West 78th Street • Indianapolis, IN. 46268
 (317) 875-0830 • Fax: (317) 875-0837 • (800) 428-4065



MADE IN THE U.S.A.