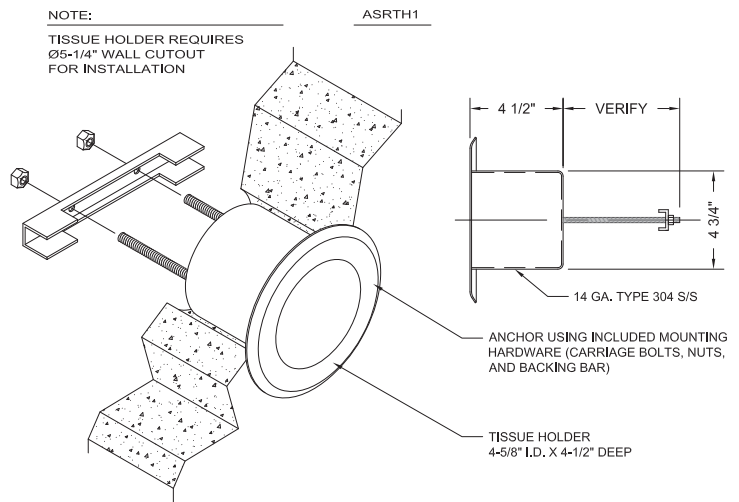


ASRTH Series Ligature-Resistant Tissue Holder

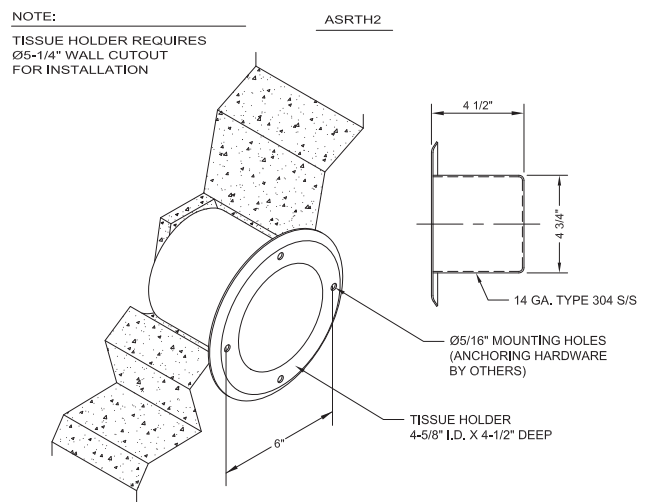
ASRTH1 Rear Mounted Ligature-Resistant Tissue Holder

ASRTH1 recessed toilet tissue holder shall be die-formed of 14 GA., Type 304 stainless steel with a 16 GA Type 304 S/S #4 satin finish exposed flange. Flange edge to be turned back providing a tight fit to wall. Holder shall accommodate a standard roll of tissue, measuring 4-5/8" in diameter and 4-1/2" deep. Interior shall be seamless and ligature-resistant, providing no free area for the concealment of contraband and no interior exposed flange edge. Mounting shall be from the rear using S/S mounting hardware provided (verify wall thickness).



ASRTH2 Front Mounted Ligature-Resistant Tissue Holder

ASRTH2 recessed toilet tissue holder shall be die-formed of 14 GA., Type 304 stainless steel with a 16 GA Type 304 S/S #4 satin finish exposed flange. Flange edge to be turned back providing a tight fit to wall. Holder shall accommodate a standard roll of tissue, measuring 4-5/8" in diameter and 4-1/2" deep. Interior shall be seamless and ligature-resistant, providing no free area for the concealment of contraband and no interior exposed flange edge. Mounting shall be from the front. Stainless steel security screws provided, wall anchors by others.



ASRTH3 Front Mounted Ligature-Resistant Tissue Holder (For 4" Stud Wall)

ASRTH3 recessed toilet tissue holder shall be die-formed of 14 GA., Type 304 stainless steel with a 16 GA Type 304 S/S #4 satin finish exposed flange. Flange edge to be turned back providing a tight fit to wall. Holder shall accommodate a standard roll of tissue, measuring 4-3/4" in diameter and 3-1/2" deep. Interior shall be seamless and ligature-resistant, providing no free area for the concealment of contraband and no interior exposed flange edge. Mounting shall be from the front. Stainless steel security screws provided, wall anchors by others.

