

ASWRS-BF-FA-2HD Series Ligature-resistant Front Mounted Recessed Handicap Shower Panel w/(2) Fixed Shower Heads



Recommended Specifications

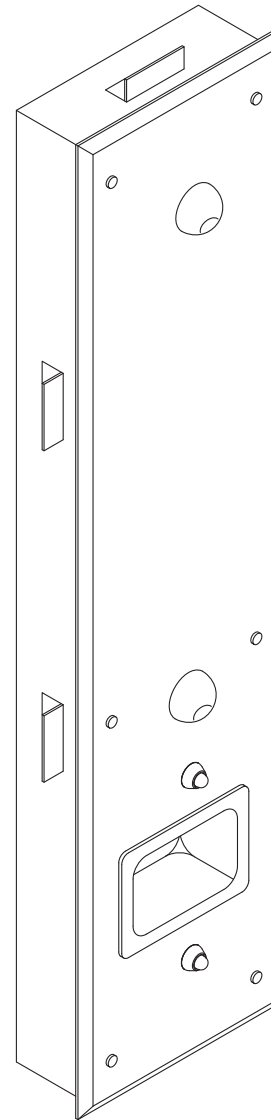
Ligature-resistant, Front Mounted, Recessed Handicap Shower Panel w/(2) Fixed Shower Heads shall be:
Willoughby Model No. **ASWRS-BF-FA-2HD**
(Select from model number and options list on next page)

Shower panel shall be fabricated from 14 gauge, Type 304 stainless steel with exposed stainless surfaces polished to a #4 satin finish. Mounting frame shall be fabricated from 18 gauge galvanized steel.

Standard equipment shall include:

- Shower valve (Select from Valve Selection options list)
- (2) (CSH) ligature-resistant, vandal resistant shower heads

Shower panel shall attach to mounting frame with security screws. Unit requires no chase area for installation and maintenance.



(Unit may be shown with optional features)

To specify fixture and accessories, use the Model Number and Options page.

Example: To specify a Ligature-resistant, Front Mounted, Recessed Handicap Shower Panel w/(2) Fixed Shower Heads with single temp. pneumatic metering valves (manifolded), (PBH) pneumatic push buttons, standard 2.5 GPM flow rate, standard (CSH) shower heads, in-line thermostatic mixing valve, and recessed mounted soap dish

Use the following Willoughby Model Number:

ASWRS-BF-FA-2HD-PML1-MA2-PBH-2.5GPM-CSH-TMV-RD



MODEL NUMBER AND OPTIONS:

1.) Base Model Number:

- ASWRS-BF-FA-2HD Ligature-resistant, Front Mounted, Recessed Handicap Shower Panel w/(2) Fixed Shower Heads

5.) Electronic Controls* (Must Use Electronic Push Button):

- WUSC-2200 WUSC-2400 Pneutronic WMS II

2.) Valve Selection:

- NV No Valve
- PML1 Single Temp. Pneumatic Metering
- PML2 Dual Temp. Pneumatic Metering
- E1L1 Single Temp. Electronic (Pick Control)*
- E1L2 Dual Temp. Electronic (Pick Control)*

Valve Manifold Option:

Pneumatic or Electronic Valves Only:

(See the Manifold Option Page at the end of Catalog Section S5 for further information)

- MA2

6.) Shower Head Selection:

- CSH Ligature-resistant Shower Head (Standard)

7.) Options:

- TMV In-line Thermostatic Mixing Valve
- TF24H Hard-wired Transformer, 110VAC to 24VAC*
- TF24P Plug-in Transformer, 110VAC to 24VAC*
- RD Recessed Mounted Soap Dish
- Other _____
- Other _____

* (Req. 110V power through ground fault interrupter (GFCI) receptacle)

3.) Push Button Selection:

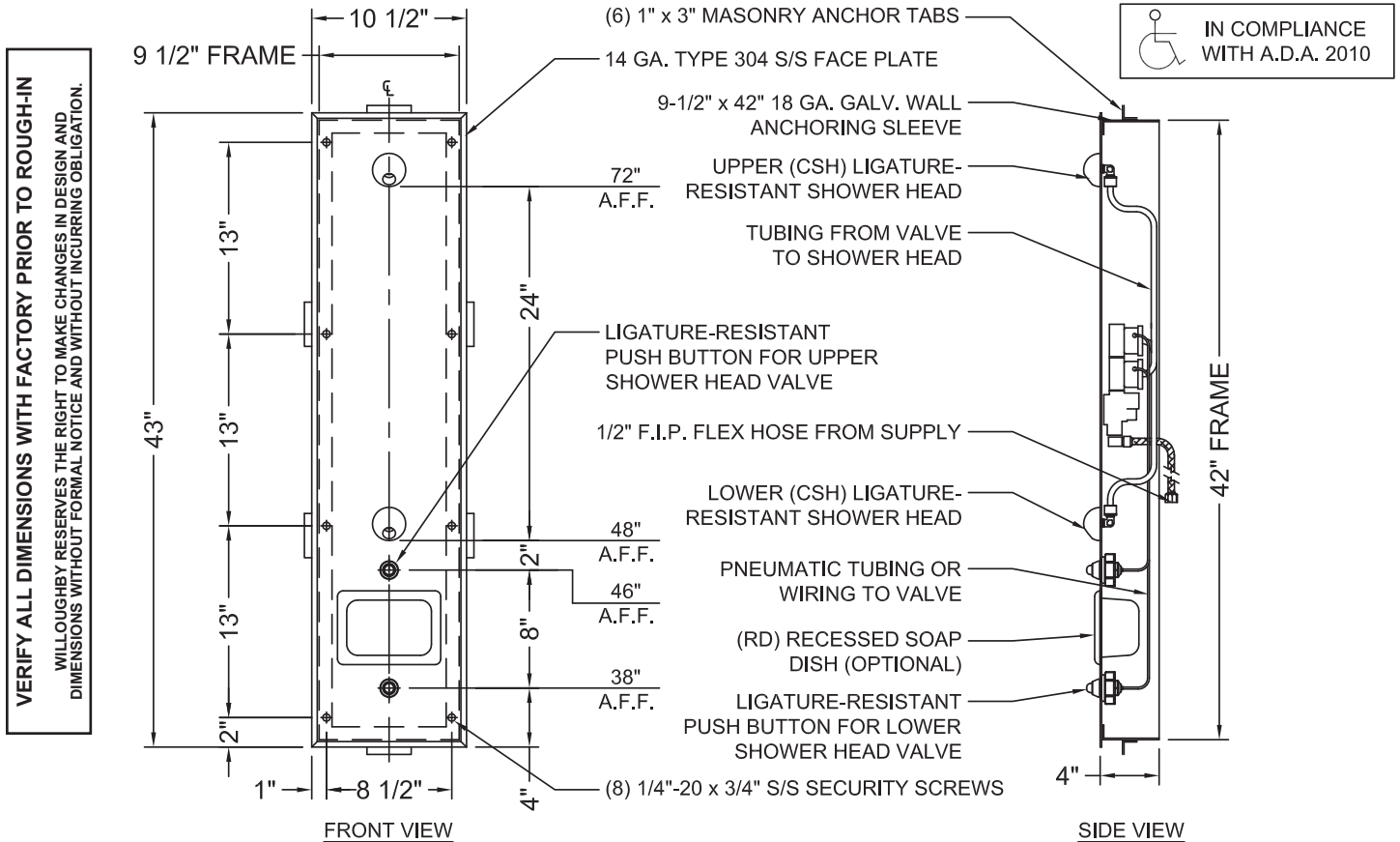
Pneumatic or Electronic Valves Only:

- PBH Ligature-resistant Push Buttons
- EPBH Ligature-resistant Electronic Push Buttons*
- PZPB Piezo Push Buttons*

4.) Flow Rates:

- 2.5 GPM (Standard)
- 2.0 GPM
- 1.5 GPM

Approved For Manufacturing By: _____ Date: _____ Company: _____
 Wall Thickness: _____ Wall Type: _____



visit our website at www.willoughby-ind.com
 5105 West 78th Street • Indianapolis, IN. 46268
 (317) 875-0830 • Fax: (317) 875-0837 • (800) 428-4065



MADE IN THE U.S.A.