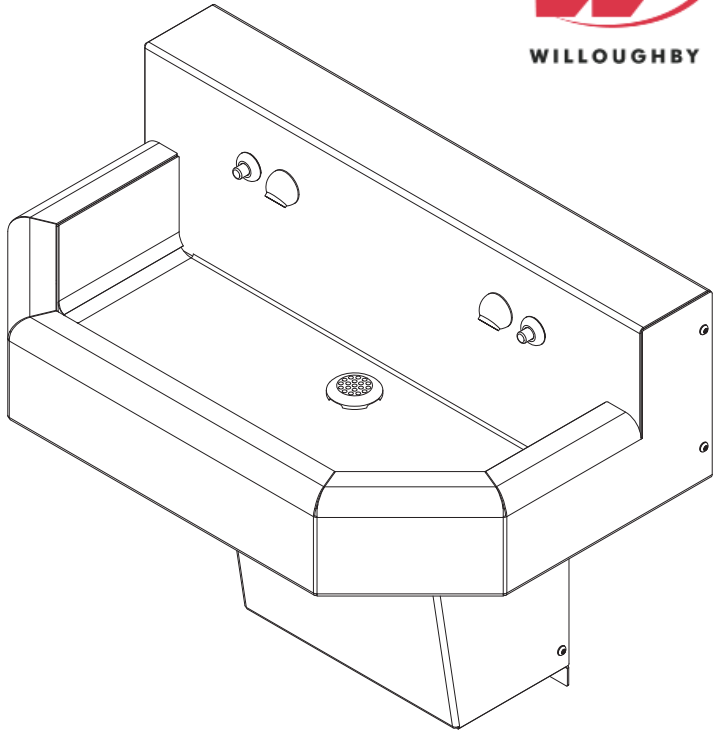


CEL-2817-2 / 4818-3 Multi-station Stainless Steel Washfountain



(Unit may be shown with optional features)



IN COMPLIANCE
WITH A.D.A. 2010

To specify fixture and accessories, use the Model Number and Options page.

Example: To specify a Multi-station, Stainless Steel Washfountain with 2 stations, and hard-wired infrared sensors

Use the following Willoughby Model Number:

CEL-2817-2-IR

Recommended Specifications

Multi-station, Stainless Steel Washfountain shall be:
Willoughby Model No. **CEL-___**
(select from model number and options list on next page)

Washfountain shall accommodate from 1 to 2 users simultaneously for the 2 station or 1 to 3 users simultaneously for the 3 station. Fixture shall be fabricated from 14 GA, Type 304 stainless steel. The construction is all welded (excluding removable stainless steel shroud), with exposed stainless steel surfaces polished to a #3 satin finish.

Standard lavatory shall include:

- Integrally welded 4-1/2" deep lavatory basin
- Stainless steel spray nozzles with 0.5 GPM flow restrictors
- Machined stainless steel drain w/ tailpiece
- Stainless steel trap enclosure/pipe shroud

All washfountains shall be supplied with thermostatic mixing valves, checkstops and strainers, flexible supply hoses, control valves, color coded water lines and Class II, 120/24 VAC plug-in transformers (as needed)*.

Vandal resistance:

All spray nozzles, push buttons, infrared sensors, and escutcheons are secured to the unit from within the sprayhead. Valves, water supplies and waste connections are concealed within the pedestal. Removable access panels are secured with vandal resistant security Torx screws. Unit is shipped pre-assembled.

Mounting:

Anchoring shall be from the front with 'z' clip and anchoring holes provided. Anchoring hardware by others. Wall requires adequate backing to support lavatory. Unit requires no chase area for installation and maintenance.

ADA, TAS, and ANSI Compliant:

When the lavatory is mounted at the standard 34" adult rim height, it complies with applicable ADA, TAS, and ANSI Z124.3 and Z124.6 accessibility guidelines. Lavatory can be ordered with 31" rim height for juvenile use (JR).

* **Note:** Plug-in transformer must be used with a ground fault interrupter (GFCI) receptacle to prevent possible electrical shock.

visit our website at www.willoughby-ind.com
5105 West 78th Street • Indianapolis, IN. 46268
(317) 875-0830 • Fax: (317) 875-0837 • (800) 428-4065



MADE IN THE U.S.A.

MODEL NUMBER AND OPTIONS:

1.) Base Model Number:

- CEL-2817-2 CEL-Series 2 Station Washfountain, 28" Width
- CEL-4818-3 CEL-Series 3 Station Washfountain, 48" Width

2.) Junior Height Option:

- JR Junior Height (31" Rim Height, JR. ADA Compliant)

3.) Valve Actuation:

- PPB1 Standard Pneumatic Push Buttons for Single Temperature Pneumatic Metering Valves
- PZPB1 Piezo Electronic Push Buttons for Single Temperature Electronic Valves (w/ Pneutronic Control)*
- IR Infrared Sensors, Hard-wired*
- BO Infrared Sensors, Battery Operated

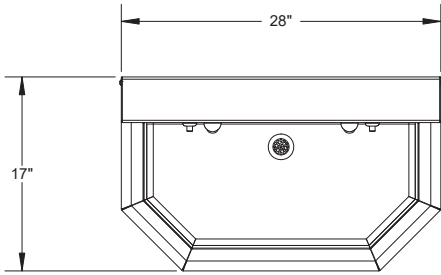
4.) Other Options:

- TL Less In-line Thermostatic Mixing Valve
- LE Less Trap Enclosure
- DC Decorator Color (Fixture exterior only - White)
- LSH 1.5 gpm Laminar Flow Sprayheads
- Other _____
- Other _____

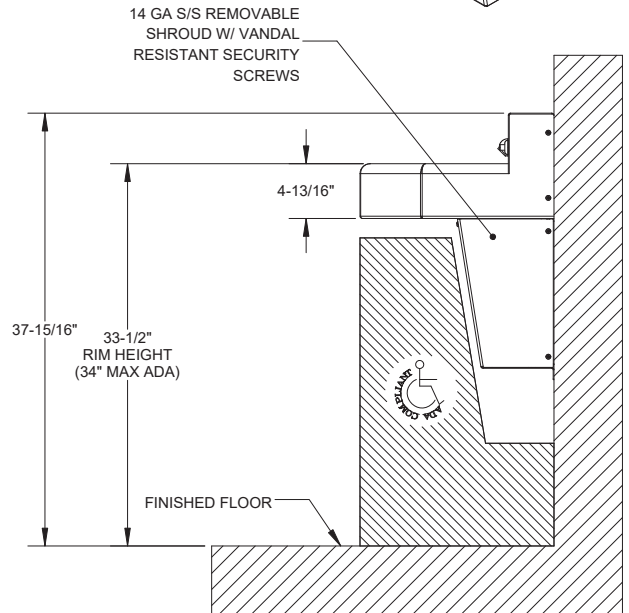
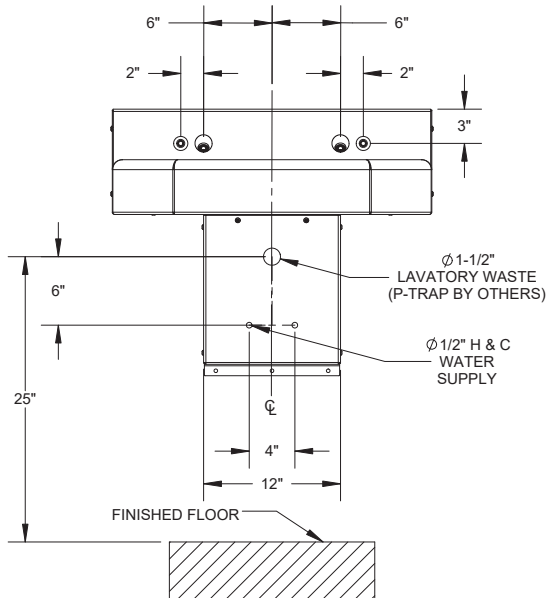
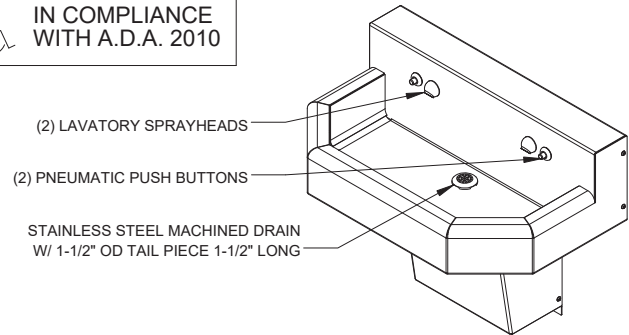
*(Req. 110V power through ground fault interrupter (GFCI) receptacle)

Approved For Manufacturing By: _____ Date: _____ Company: _____
 Wall Thickness: _____ Wall Type: _____

VERIFY ALL DIMENSIONS WITH FACTORY PRIOR TO ROUGH-IN
 WILLOUGHBY RESERVES THE RIGHT TO MAKE CHANGES IN DESIGN AND DIMENSIONS WITHOUT FORMAL NOTICE AND WITHOUT INCURRING OBLIGATION.



IN COMPLIANCE WITH A.D.A. 2010



visit our website at www.willoughby-ind.com
 5105 West 78th Street • Indianapolis, IN. 46268
 (317) 875-0830 • Fax: (317) 875-0837 • (800) 428-4065



MADE IN THE U.S.A.