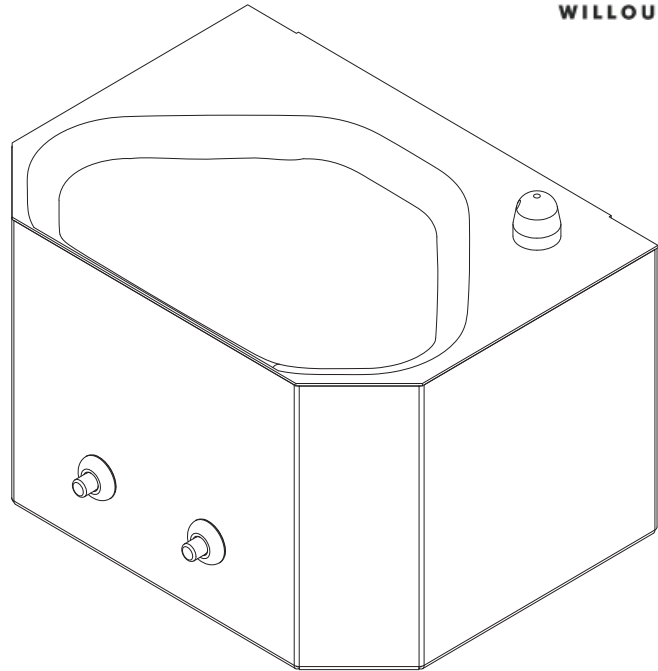


CHS-1013-46 China Alternative Lavatory



(Unit may be shown with optional features)

To specify fixture and accessories, use the Model Number and Options page.

Example: To specify a China Alternative Lavatory with dual temp. pneumatic metering valve, pneumatic push buttons, elbow waste, and single towel hook

Use the following Willoughby Model Number:

CHS-1013-46-PML2-PPB-EB-TH1

Recommended Specifications

China Alternative Lavatory shall be:
Willoughby Model No. **CHS-1013-46**
(Select from model number and options list on next page)

Fixture shall be fabricated from 16 GA., Type 304 stainless steel. The construction shall be all welded, with exposed stainless surfaces having a bead blast finish. Lavatory underside shall be exposed with non-polished finish.

Standard lavatory shall include:

- Multi-sided bowl, 12-3/4" x 8-1/4" x 5" deep
- Stainless steel deck mounted bubbler
- Fast drain with air vent
- Integral elbow waste w/ 6-1/2" lav. waste extension and Ø1-1/2" no-hub waste connection

Anchoring shall be by standard 4-point system: threaded rods, nuts and washers. Unit is wall hung and shall require chase area for installation and maintenance.

visit our website at www.willoughby-ind.com

5105 West 78th Street • Indianapolis, IN. 46268
(317) 875-0830 • Fax: (317) 875-0837 • (800) 428-4065



MADE IN THE U.S.A.

MODEL NUMBER AND OPTIONS:

1.) Base Model Number:

CHS-1013-46 China Alternative Lavatory

2.) Bubbler Selection:

DMB Deck Mounted Bubbler (Standard)

3.) Lavatory Valve Selection:

- NV No Valve
- PSL1 Single Temp. Pneumatic Non-metering
- PSL2 Dual Temp. Pneumatic Non-metering
- PML1 Single Temp. Pneumatic Metering
- PML2 Dual Temp. Pneumatic Metering
- E1L1 Single Temp. Electronic (pick control)*
- E1L2 Dual Temp. Electronic (pick control)*

Valve Manifold Options:

Pneumatic or Electronic Only:

MA2 MA3 MA4

4.) Lavatory Valve Actuation:

- PPB Pneumatic Push Buttons
- PBH Ligature-resistant Push Buttons
- EPB Electronic Push Buttons*
- EPBH Ligature-resistant Electronic Push Buttons*
- PZPB Piezo Electronic Push Buttons*

5.) Electronic Controls* (Must Use Electronic Push Button):

- WUCC-3010 Pneutronic WMSII
- (The WUCC-3010 Control can be used to pair a Lavatory with a Toilet)

6.) Lavatory Waste:

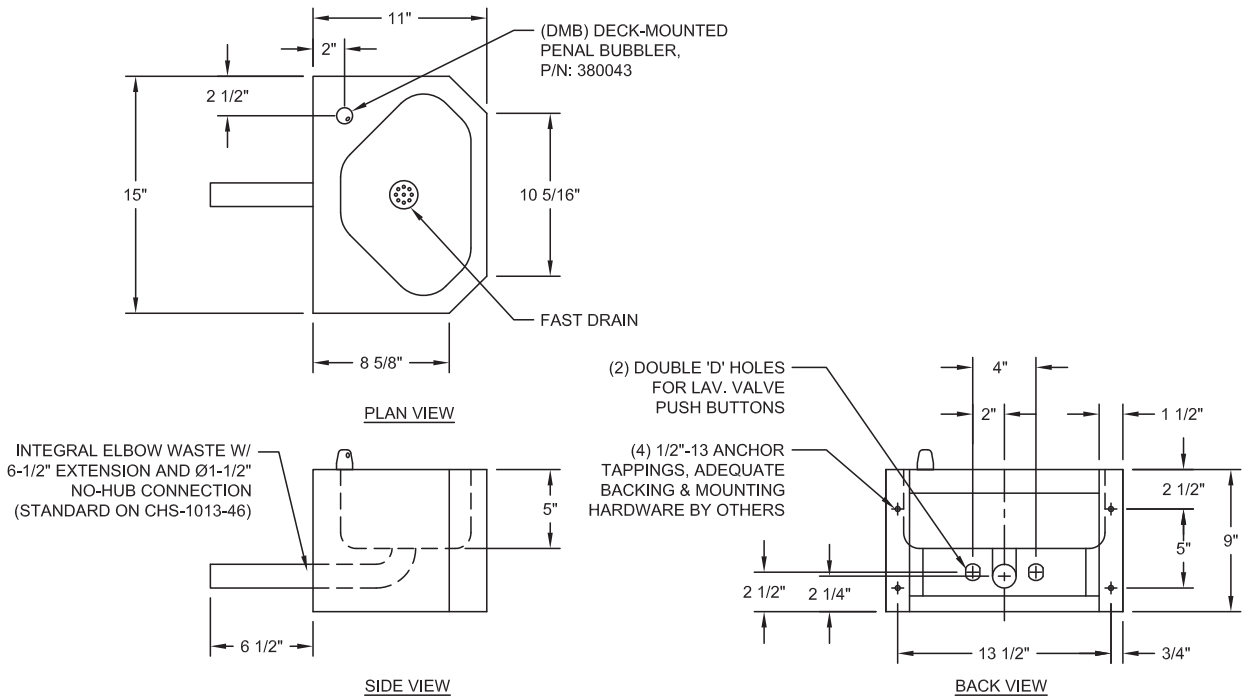
- Integral Elbow Waste w/ 6-1/2" Lav. Waste Extension and 1-1/2" No-hub Waste Connection (Standard)
- EB Elbow Waste (Standard)
- PT Integral 'P'-Trap
- LWL Lavatory Waste Extension
- OV Lavatory Overflow
- SLOW Slow Drain
- LW1 Thru-Wall Extension, 'P'-Trap
- LW2 Thru-Wall Extension and Clean-Out

7.) Options:

- MT Wall Template
 - TB1 Single Toothbrush Holder
 - Right Left
 - TB2 Dual Toothbrush Holder
 - Right Left
 - TF24H Hard-wired Transformer, 110VAC to 24VAC*
 - TF24P Plug-in Transformer, 110VAC to 24VAC*
 - TH1 Single Towel Hook
 - Right Left
 - TH2 Dual Towel Hook
 - Right Left
 - WS Wall Sleeve (Requires Accessible Chase)
 - ISH Integral Shelf
 - Other: _____
 - Other: _____
- *(Req. 110V power through ground fault interrupter (GFCI) receptacle)

Approved For Manufacturing By: _____ Date: _____ Company: _____
 Wall Thickness: _____ Wall Type: _____

VERIFY ALL DIMENSIONS WITH FACTORY PRIOR TO ROUGH-IN
 WILLOUGHBY RESERVES THE RIGHT TO MAKE CHANGES IN DESIGN AND DIMENSIONS WITHOUT FORMAL NOTICE AND WITHOUT INCURRING OBLIGATION.



visit our website at www.willoughby-ind.com
 5105 West 78th Street • Indianapolis, IN. 46268
 (317) 875-0830 • Fax: (317) 875-0837 • (800) 428-4065



MADE IN THE U.S.A.