

CWBIS-FA-ADA Series ADA-Compliant Front Mounted Built-In Shower



Recommended Specifications

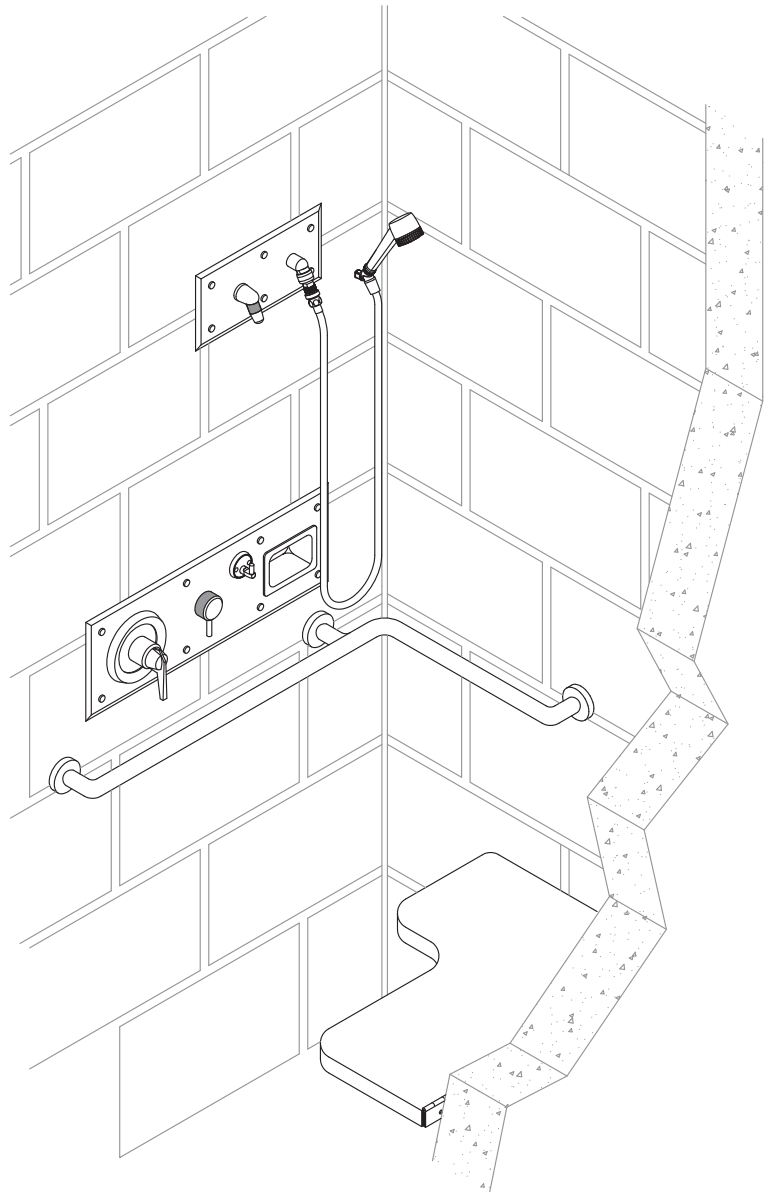
ADA-Compliant, Front Mounted Built-In Shower shall be:
Willoughby Model No. **CWBIS-FA-ADA**
(Select from model number and options list on next page)

Shower head and valve push button face plates shall be fabricated from 14 gauge, Type 304 stainless steel with exposed surfaces polished to a #4 satin finish.

Standard equipment shall include:

- Shower valves (from Valve Selection options list)
- Shower heads (from Shower Head Selection options list)

Anchoring of stainless steel panels shall be from the front.
Wall anchors by others.



LEFT HAND CONTROL FIXTURE SHOWN
(Unit may be shown with optional features)

To specify fixture and accessories, use the Model Number and Options page.

Example: To specify an ADA-Compliant, Front Mounted Built-In Shower with left hand controls, temp./ pressure-balancing mixing valve, diverter valve, standard 2.5 GPM flow rate, APS adjustable vandal-resistant and FX Flexshower shower heads, S/S folding shower seat (right hand), two wall grab bar, and recessed soap dish

Use the following Willoughby Model Number:

CWBIS-FA-ADA-L-TPV-DV-2.5-APS-FX-FSSR-GB3318-RD

visit our website at www.willoughby-ind.com
5105 West 78th Street • Indianapolis, IN. 46268
(317) 875-0830 • Fax: (317) 875-0837 • (800) 428-4065



MADE IN THE U.S.A.

MODEL NUMBER AND OPTIONS:

1.) Base Model Number:

- CWBIS-FA-ADA ADA-Compliant, Front Mounted Built-In Shower

6.) Flow Rates:

- 2.5 GPM (Standard) 2.0 GPM 1.5 GPM

2.) Panel Orientation (Must Specify):

- L Left Hand Controls
 R Right Hand Controls

7.) Electronic Control* (Must Use Electronic Push Button):

- WUSC-2200 WUSC-2400 Pneutronic

3.) Valve Selection:

- NV No Valve
 PML1 Single Temp. Pneumatic Metering
 PML2 Dual Temp. Pneumatic Metering
 E1L1 Single Temp. Electronic (w/ Pneutronic Control)*
 E1L2 Dual Temp. Electronic (w/ Pneutronic Control)*
 PBV Pressure-Balancing Mixing Valve
 TPV Temperature/Pressure-Balancing Mixing Valve
 TPLR Ligature-resistant Temp/Pressure-balancing Mixing Valve
 SVC Single Temp. Compression Valve
 DVC Dual Temp. Compression Valves
 MA2 **Valve Manifold Option (Pneumatic or Electronic Valves Only):**
(See the Manifold Option Page at the end of Catalog Section C14 for further information)

8.) Shower Head Selection:

- APS Adjustable Vandal-resistant Shower Head
 NPS Non-Adjustable Vandal-resistant Shower Head
 UBJ Universal Ball Joint Shower Head
 LBJ Lockable Ball Joint Shower Head
 CSH Ligature-resistant Shower Head
 FX Hand-held Flexshower Head (w/ quick disconnect, vacuum breaker, and (1) hook)

9.) Optional Shower Seat:

- FSSL Left Hand Stainless Steel Folding Shower Seat
 FSSR Right Hand Stainless Steel Folding Shower Seat
 PFSSL Left Hand Padded Stainless Steel Folding Shower Seat
 PFSSR Right Hand Padded Stainless Steel Folding Shower Seat
 PHSSL Left Hand Phenolic Folding Shower Seat
 PHSSR Right Hand Phenolic Folding Shower Seat

4.) Diverter Valve:

- DV Diverter Valve
 DVLR Ligature-resistant Diverter Valve
 PML1-MA2 Two Single Temp. Pneumatic Metering Valves
 (Used to divert water flow to either upper, lower, or both shower heads; for use with Mixing Valve options above)

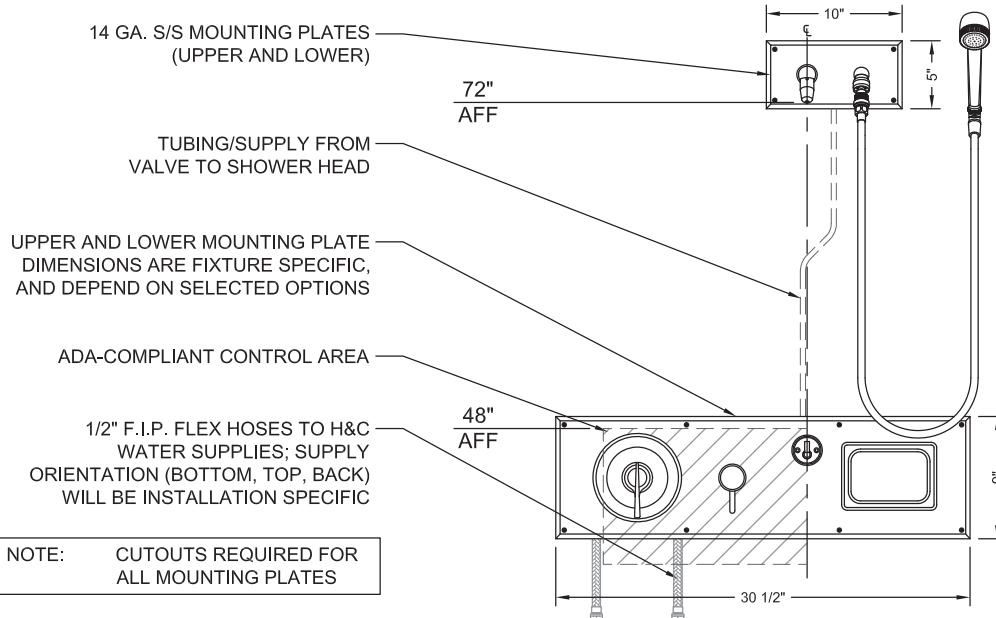
10.) Other Options:

- TF24H Hard-wired Transformer, 110VAC to 24VAC* (Standard)
 TF24P Plug-in Transformer, 110VAC to 24VAC*
 TMV Inline Thermostatic Mixing Valve
 HL Hi-Lo (2 Hooks For Flexshower)
 SLB24 24" Adjustable Slide Bar (for Flexshower, Wall Mounted)
 SD Surface Mounted Soap Dish
 RD Recessed Mounted Soap Dish
 GB Grab Bar (Wall Mounted, Specify Dimensions): _____
 CR Curtain Rod
 SC Shower Curtain
 Other _____

* (Req. 110V power through ground fault interrupter (GFCI) receptacle)

Approved For Manufacturing By: _____ Date: _____ Company: _____
 Wall Thickness: _____ Wall Type: _____

VERIFY ALL DIMENSIONS WITH FACTORY PRIOR TO ROUGH-IN
 WILLOUGHBY RESERVES THE RIGHT TO MAKE CHANGES IN DESIGN AND DIMENSIONS WITHOUT FORMAL NOTICE AND WITHOUT INCURRING OBLIGATION.



NOTE: CUTOUTS REQUIRED FOR ALL MOUNTING PLATES

NOTE: CERTAIN ACCESSORIES SUCH AS SOAP DISHES, GRAB BARS, AND FLEXSHOWER ACCESSORIES CAN BE WALL MOUNTED

CWBIS-FA-ADA W/ (TPV) MIXING VALVE,
 (DV) DIVERTER VALVE, (APS) SHOWER HEAD,
 (FX) FLEXSHOWER, AND (RD) SOAP DISH

visit our website at www.willoughby-ind.com
 5105 West 78th Street • Indianapolis, IN. 46268
 (317) 875-0830 • Fax: (317) 875-0837 • (800) 428-4065



MADE IN THE U.S.A.