

CWIS Island Sink

Recommended Specifications

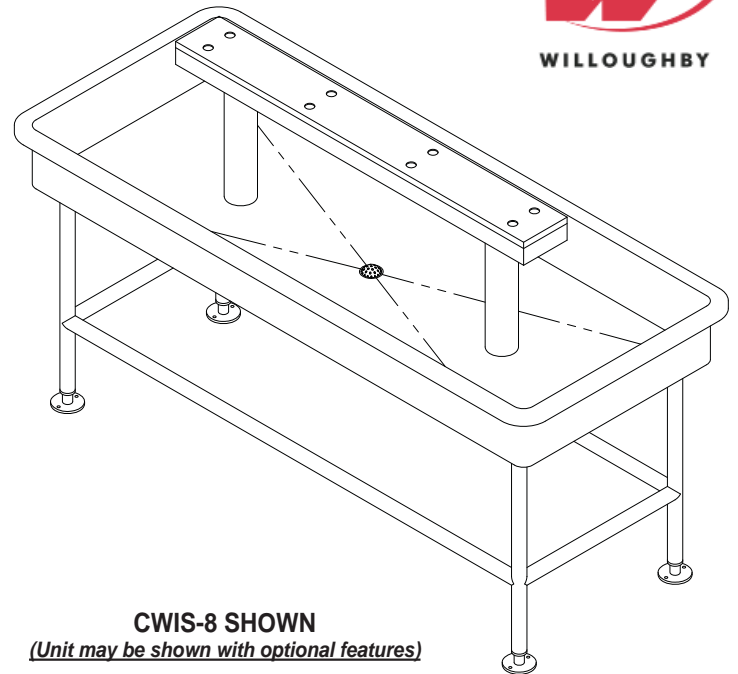
Island sink shall be: Willoughby Model No. **CWIS-___**
(select model from model number and options page)

Fixture shall be fabricated from 14 GA, Type 304 stainless steel with 12 GA stainless steel under-bracing. The construction shall be all-welded with exposed exterior surfaces polished to a #4 satin finish. Bowl interior is a bead-blast finish.

Standard equipment shall include:

- Stainless steel bowl and head assembly
- Ø4" stainless support columns
- Ø1-1/2" O.D. stainless steel legs, adjustable flanged feet with (2) Ø5/16" holes for anchoring to the floor
- 2" beehive strainer with Ø2" x 4" long welded-on s/s tailpiece
- sound deadened underside of sink bowl.

Stainless steel head assembly cover is secured with vandal resistant screws. Unit is field plumbed for faucet connections. Verify faucet hole configurations when ordering.



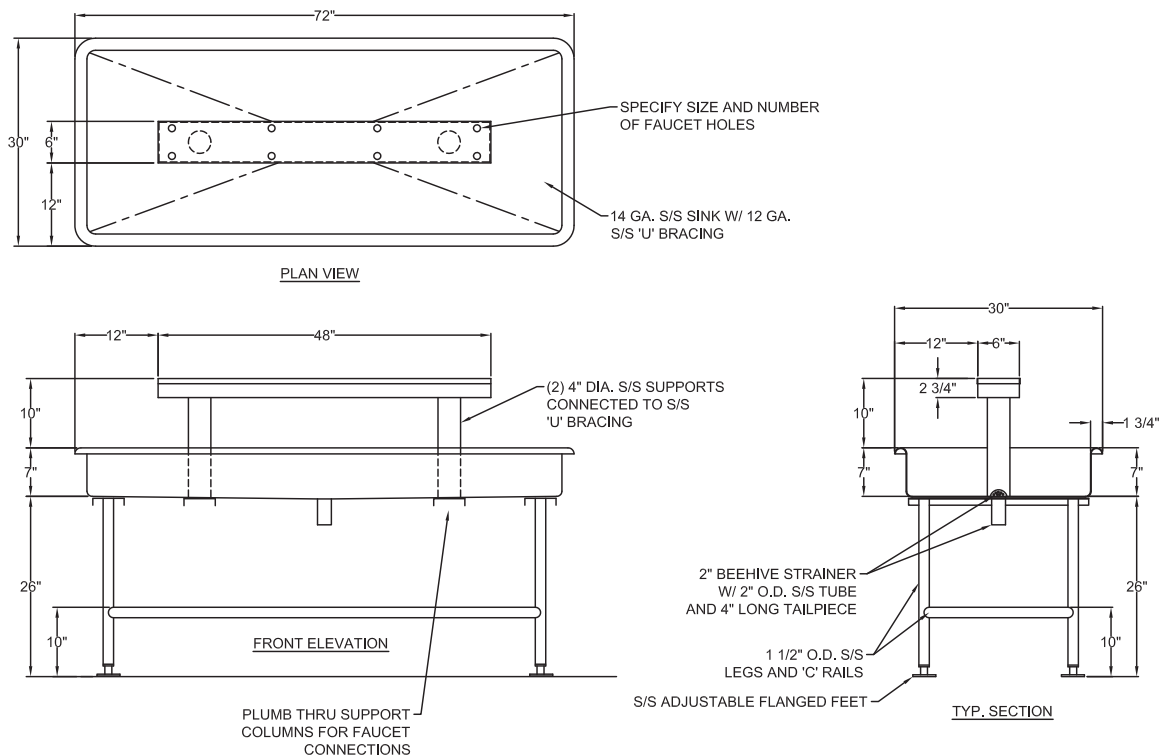
CWIS-8 SHOWN
(Unit may be shown with optional features)

| ✓ | MODEL NUMBER | STATIONS | LENGTH | WIDTH |
|---|--------------|----------|--------|-------|
| | CWIS-6 | 6 | 58" | 30" |
| | CWIS-8 | 8 | 72" | 30" |

Other Options:

- SD Surface Mounted Soap Dishes
- ENB Enclosed Base

VERIFY ALL DIMENSIONS WITH FACTORY PRIOR TO ROUGH-IN
WILLOUGHBY RESERVES THE RIGHT TO MAKE CHANGES IN DESIGN AND DIMENSIONS WITHOUT FORMAL NOTICE AND WITHOUT INCURRING OBLIGATION.



visit our website at www.willoughby-ind.com
5105 West 78th Street • Indianapolis, IN. 46268
(317) 875-0830 • Fax: (317) 875-0837 • (800) 428-4065



MADE IN THE U.S.A.