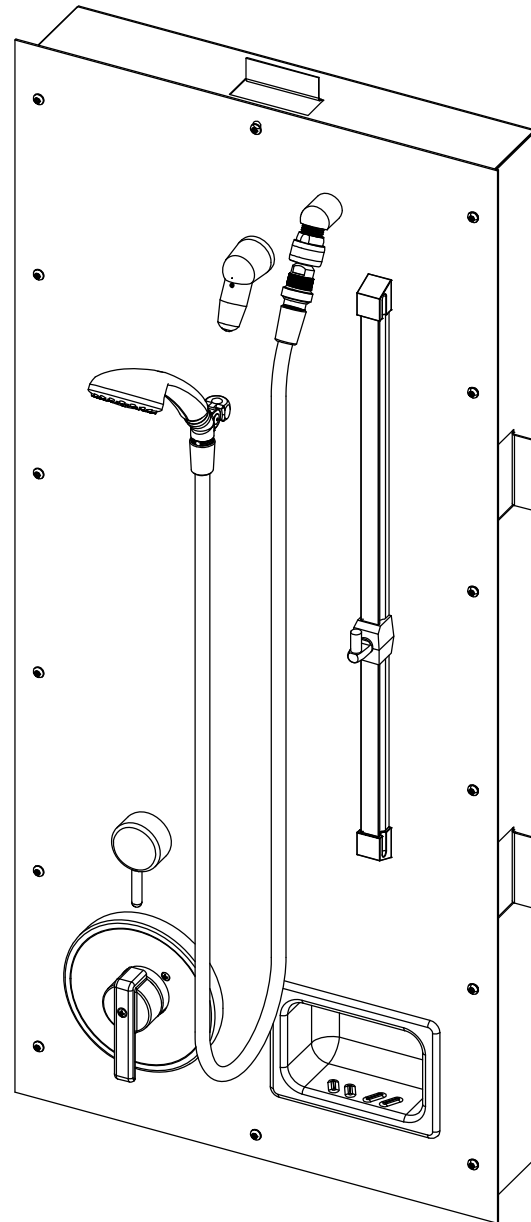


CWRS-FA-ADA-WH Series Wide Housing ADA-Compliant Front Mounted Recessed Shower Panel



LEFT HAND CONTROL FIXTURE SHOWN
(Unit may be shown with optional features)

Recommended Specifications

Wide Housing, ADA-Compliant, Front Mounted, Recessed Shower Panel shall be:
Willoughby Model No. **CWRS-FA-ADA-WH**
(Select from model number and options list on next page)

Shower panel shall be fabricated from 16 gauge, Type 304 stainless steel with exposed stainless surfaces polished to a #4 satin finish. In-wall mounting frame shall be fabricated from 18 gauge galvanized steel.

- Standard equipment shall include:
- Shower valves (from Valve Selection options list)
 - Shower heads (from Shower Head Selection options list)
 - In-wall mounting frame

Shower panel shall attach to in-wall mounting frame with vandal resistant stainless steel screws. Shower unit shall be factory assembled, tested for proper operation, and ready for installation by a contractor. Unit requires no chase area for installation and maintenance.

To specify fixture and accessories, use the Model Number and Options page.
Example: To specify a Wide Housing, ADA-Compliant, Front Mounted, Recessed Shower Panel with left hand controls, pressure-balancing mixing valve, diverter valve, 2.5 GPM flow rate, APS adjustable vandal-resistant and FX Flexshower shower heads, flex shower slide bar, and recessed soap dish
Use the following Willoughby Model Number:
CWRS-FA-ADA-WH-L-PBV-DV-2.5-APS-FX-SLB24-RD



MODEL NUMBER AND OPTIONS:

1.) Base Model Number:

- CWRS-FA-ADA-WH Wide Housing, ADA-Compliant, Front Mounted, Recessed Shower Panel

2.) Panel Orientation (Must Specify):

- L Left Hand Controls
 R Right Hand Controls

3.) Valve Selection:

- NV No Valve
 PML1 Single Temp. Pneumatic Metering
 PML2 Dual Temp. Pneumatic Metering
 E1L1 Single Temp. Electronic (w/ Pneumatic Control)*
 E1L2 Dual Temp. Electronic (w/ Pneumatic Control)*
 PBV Pressure-Balancing Mixing Valve
 TPV Temperature/Pressure-Balancing Mixing Valve
 TPLR Ligature-resistant Temp/Pressure-balancing Mixing Valve
 SVC Single Temp. Compression Valve
 DVC Dual Temp. Compression Valves
 MA2 **Valve Manifold Option (Pneumatic or Electronic Valves Only):**
(See the Manifold Option Page at the end of Catalog Section C14 for further information)

4.) Diverter Valve:

- DV Diverter Valve
 DVLR Ligature-resistant Diverter Valve
 PML1-MA2 Two Single Temp. Pneumatic Metering Valves in Lieu of Diverter Valve

5.) Push Button Selection:

Pneumatic or Electronic Valves Only:

- PPB Pneumatic Push Buttons
 PBH Ligature-resistant Push Buttons
 EPB Electronic Push Buttons*
 EPBH Ligature-resistant Electronic Push Buttons*
 PZPB Piezo Electronic Push Buttons*

6.) Flow Rates:

- 2.5 GPM (Standard) 2.0 GPM 1.5 GPM

7.) Electronic Control* (Must Use Electronic Push Button):

- WUSC-2200 WUSC-2400 Pneumatic

8.) Shower Head Selection:

- APS Adjustable Vandal-resistant Shower Head
 NPS Non-Adjustable Vandal-resistant Shower Head
 UBJ Universal Ball Joint Shower Head
 LBJ Lockable Ball Joint Shower Head
 CSH Ligature-resistant Shower Head
 FX Hand-held Flexshower Head (w/ quick disconnect, vacuum breaker, and (1) hook)
 2HD Dual Fixed Shower Heads (replaces (FX) Flexshower head w/ second of the selected fixed Shower Head)

9.) Optional Shower Seat:

- FSSL Left Hand Stainless Steel Folding Shower Seat
 FSSR Right Hand Stainless Steel Folding Shower Seat
 PFSSL Left Hand Padded Stainless Steel Folding Shower Seat
 PFSSR Right Hand Padded Stainless Steel Folding Shower Seat
 PHSSL Left Hand Phenolic Folding Shower Seat
 PHSSR Right Hand Phenolic Folding Shower Seat

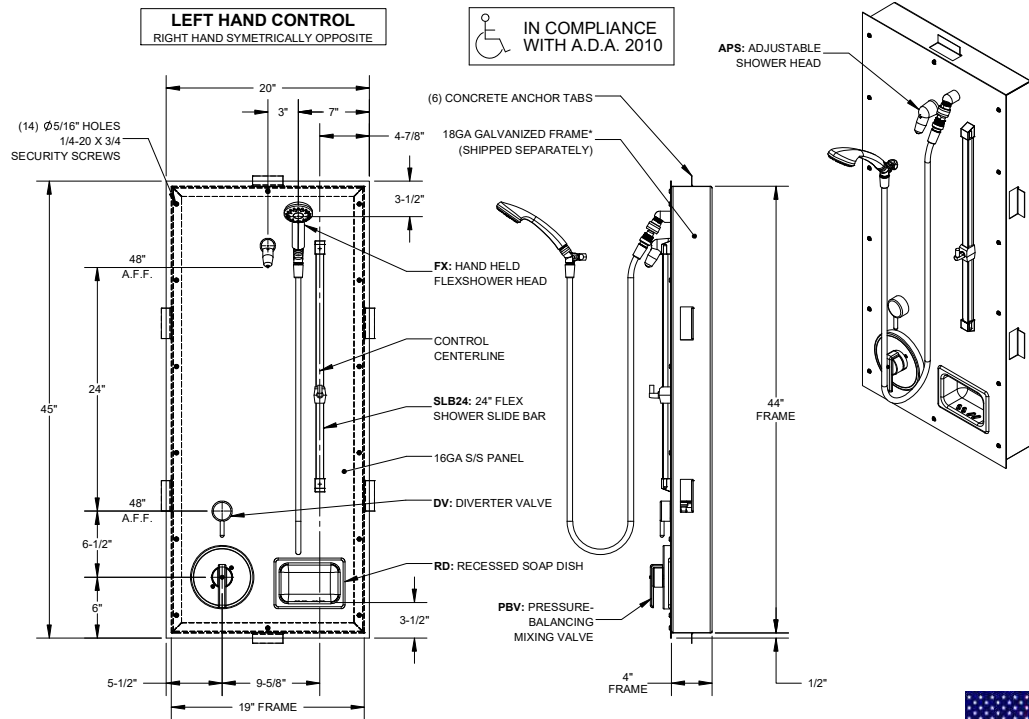
10.) Other Options:

- TF24H Hard-wired Transformer, 110VAC to 24VAC* (Standard)
 TF24P Plug-in Transformer, 110VAC to 24VAC*
 TMV Inline Thermostatic Mixing Valve
 HL Hi-Lo (2 Hooks For Flexshower)
 SLB24 24" Adjustable Slide Bar (for Flexshower)
 SD Surface Mounted Soap Dish
 RD Recessed Mounted Soap Dish
 GB3318 18" x 33" Two Wall Grab Bar
 CR Curtain Rod
 SC Shower Curtain
 GB Grab Bar (Wall Mounted, Specify Dimensions): _____
 Other _____
 Other _____

*(Req. 110V power through ground fault interrupter (GFCI) receptacle)

Approved For Manufacturing By: _____ Date: _____ Company: _____
 Wall Thickness: _____ Wall Type: _____

VERIFY ALL DIMENSIONS WITH FACTORY PRIOR TO ROUGH-IN
 WILLOUGHBY RESERVES THE RIGHT TO MAKE CHANGES IN DESIGN AND DIMENSIONS WITHOUT FORMAL NOTICE AND WITHOUT INCURRING OBLIGATION.



visit our website at www.willoughby-ind.com
 5105 West 78th Street • Indianapolis, IN. 46268
 (317) 875-0830 • Fax: (317) 875-0837 • (800) 428-4065



MADE IN THE U.S.A.