

CWSMS-ADA-WH Series Wide Housing ADA-Compliant Surface Mounted Wall Shower



Recommended Specifications

Wide Housing, ADA-Compliant, Surface Mounted Wall Shower shall be:

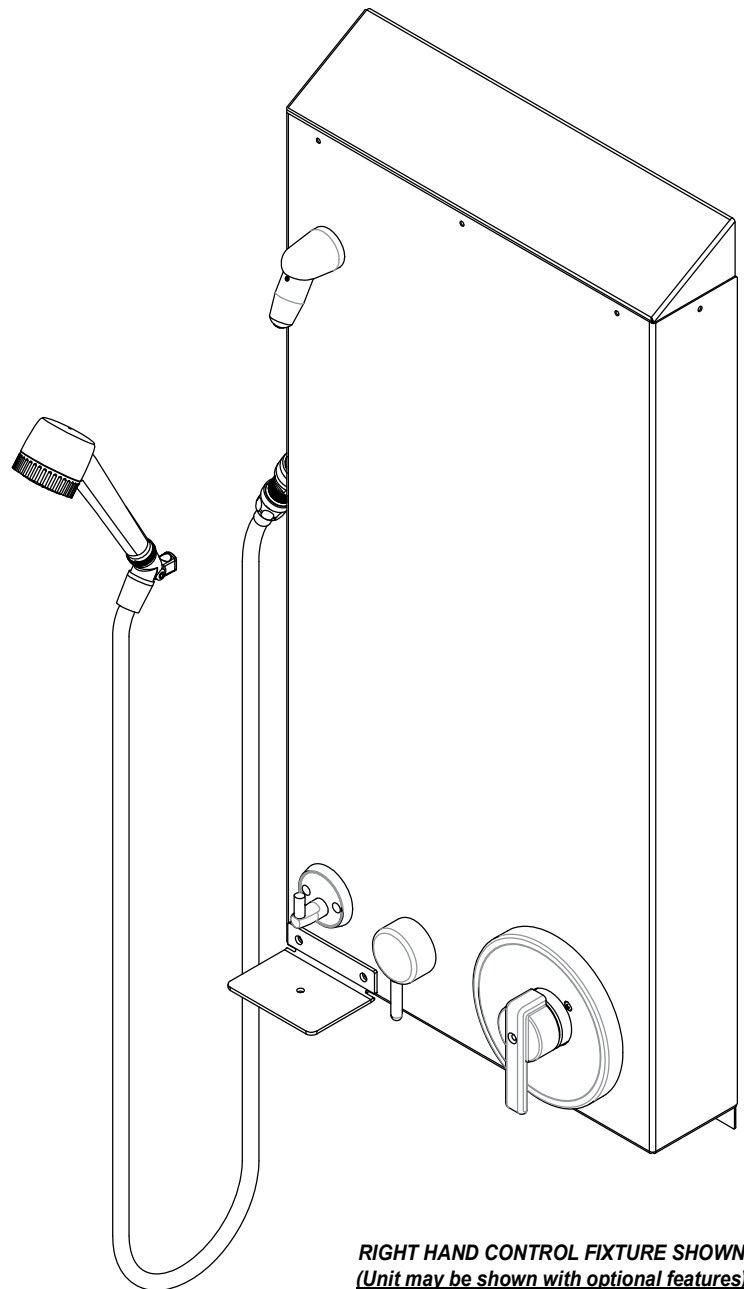
Willoughby Model No. **CWSMS-ADA-WH**
(Select from model number and options list on next page)

Shower panel shall be fabricated from 18 gauge, Type 304 stainless steel with exposed stainless surfaces polished to a #4 satin finish. Sloped top panel and bottom panel are riveted onto the cabinet.

Standard equipment shall include:

- Shower valves (from Valve Selection options list)
- Shower heads (from Shower Head Selection options list)
- Z-clip mounting bracket

Anchoring shall be by Z-clip and bottom flange with anchoring hardware by others. Shower unit shall be factory assembled, tested for proper operation, and ready for installation by a contractor. Unit requires no chase area for installation and maintenance.



To specify fixture and accessories, use the Model Number and Options page.

Example: To specify a Wide Housing, ADA-Compliant, Surface Mounted Wall Shower with Right Hand controls, pressure-balancing valve, diverter valve, 1.5 GPM flow rate, APS and FX shower heads, and surface mounted soap dish

Use the following Willoughby Model Number:
CWSMS-ADA-WH-R-PBV-DV-1.5-APS-FX-SD

visit our website at www.willoughby-ind.com

5105 West 78th Street • Indianapolis, IN. 46268
(317) 875-0830 • Fax: (317) 875-0837 • (800) 428-4065



MADE IN THE U.S.A.

MODEL NUMBER AND OPTIONS:

1.) Base Model Number:

- CWSMS-ADA-WH Wide Housing, ADA-Compliant, Surface Mounted Wall Shower

2.) Panel Orientation (Must Specify):

- L Left Hand Controls
 R Right Hand Controls

3.) Valve Selection:

- NV No Valve
 PML1 Single Temp. Pneumatic Metering
 PML2 Dual Temp. Pneumatic Metering
 E1L1 Single Temp. Electronic (w/ Pneumatic Control)*
 E1L2 Dual Temp. Electronic (w/ Pneumatic Control)*
 PBV Pressure-Balancing Mixing Valve
 TPV Temp/Pressure-Balancing Mixing Valve
 TPLR Ligature-resistant Temperature/Pressure-Balancing Mixing Valve
 SVC Single Temp. Compression Valve
 DVC Dual Temp. Compression Valves

4.) Diverter Valve:

- DV Diverter Valve
 DVLR Ligature-resistant Diverter Valve
 PML1-MA2 Two Single Temp. Pneumatic Metering Valves
 (Used to divert water flow to either upper, lower, or both shower heads; for use with Mixing Valve options above)

5.) Push Button Selection:

Pneumatic or Electronic Valves Only:

- PPB Pneumatic Push Buttons
 PBH Ligature-resistant Pneumatic Push Buttons
 EPB Electronic Push Buttons*
 EPBH Ligature-resistant Electronic Push Buttons*
 PZPB Piezo Electronic Push Buttons*

6.) Flow Rates:

- 2.5 GPM (Standard) 2.0 GPM 1.5 GPM

7.) Electronic Control* (Must Use Electronic Push Button):

- WUSC-2200 WUSC-2400 Pneumatic

8.) Shower Head Selection:

- APS Adjustable Vandal-resistant Shower Head
 NPS Non-Adjustable Vandal-resistant Shower Head
 UBJ Universal Ball Joint Shower Head
 LBJ Lockable Ball Joint Shower Head
 CSH Ligature-resistant Shower Head
 FX Hand-held Flexshower Head (w/ quick disconnect, vacuum breaker, hook)
 2HD Dual Fixed Shower Heads (replaces (FX) Flexshower head w/ second of the selected fixed Shower Head)

9.) Optional Shower Seat:

- FSSL Left Hand Stainless Steel Folding Shower Seat
 FSSR Right Hand Stainless Steel Folding Shower Seat
 PFSSL Left Hand Padded Stainless Steel Folding Shower Seat
 PFSSR Right Hand Padded Stainless Steel Folding Shower Seat
 PHSSL Left Hand Phenolic Folding Shower Seat
 PHSSR Right Hand Phenolic Folding Shower Seat

10.) Other Options:

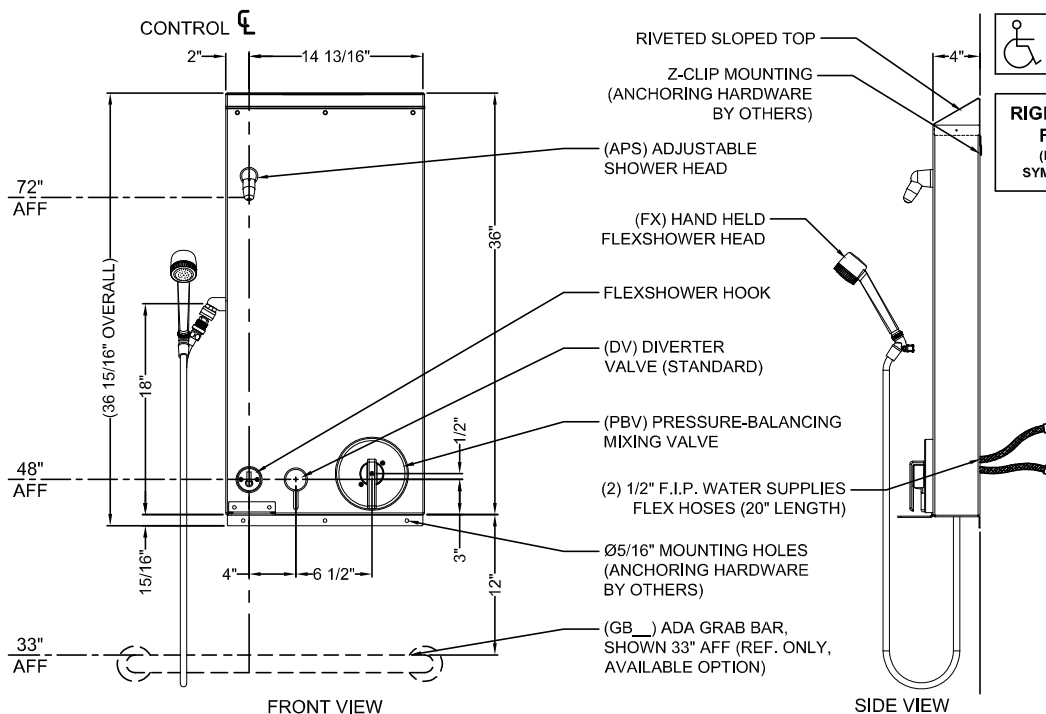
- TF24H Hard-wired Transformer, 110VAC to 24VAC* (Standard)
 TF24P Plug-in Transformer, 110VAC to 24VAC*
 TMV Inline Thermostatic Mixing Valve
 HL Hi-Lo (2 Hooks For Flexshower)
 SLB24 24" Adjustable Slide Bar (for Flexshower)
 SD Surface Mounted Soap Dish
 RD Recessed Mounted Soap Dish (Option increases the cabinet width 7" to accommodate the soap dish while maintaining ADA compliance)
 GB3318 18" x 33" Two Wall Grab Bar
 CR Curtain Rod
 SC Shower Curtain
 GB Grab Bar (Wall Mounted, Specify Dimensions): _____
 PS Pipe Shroud (Specify Length): _____
 (Pipe Shroud option changes Riveted Sloped Top to Flat Top)

Other _____

* (Req. 110V power through ground fault interrupter (GFCI) receptacle)

Approved For Manufacturing By: _____ Date: _____ Company: _____
 Wall Thickness: _____ Wall Type: _____

VERIFY ALL DIMENSIONS WITH FACTORY PRIOR TO ROUGH-IN
 WILLOUGHBY RESERVES THE RIGHT TO MAKE CHANGES IN DESIGN AND DIMENSIONS WITHOUT FORMAL NOTICE AND WITHOUT INCURRING OBLIGATION.



visit our website at www.willoughby-ind.com
 5105 West 78th Street • Indianapolis, IN. 46268
 (317) 875-0830 • Fax: (317) 875-0837 • (800) 428-4065



MADE IN THE U.S.A.