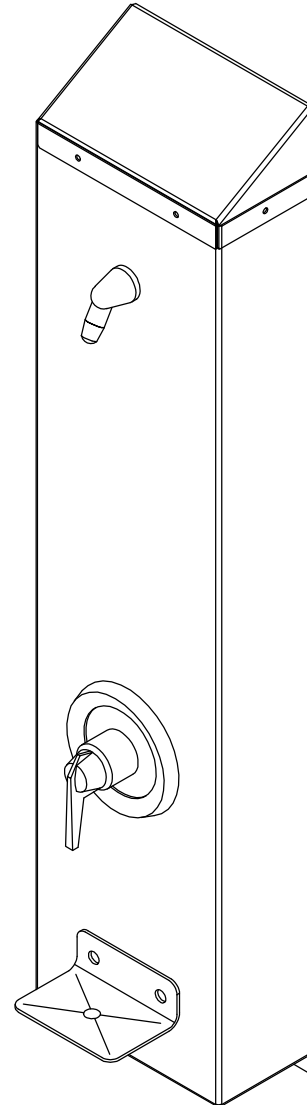


## CWSMS Series Surface Mounted Wall Shower



### Recommended Specifications

Surface Mounted Wall Shower shall be:  
Willoughby Model No. **CWSMS**  
(Select from model number and options list on next page)

Shower panel shall be fabricated from 18 gauge, Type 304 stainless steel with exposed stainless surfaces polished to a #4 satin finish. Sloped top panel and bottom panel are riveted onto the wall shower.

Standard equipment shall include:

- Shower valves (from Valve Selection options list)
- Shower head (from Shower Head Selection options list)
- Z-clip mounting bracket

Anchoring shall be by Z-clip and bottom flange with anchoring hardware by others. Shower unit shall be factory assembled, tested for proper operation, and ready for installation by a contractor. Unit requires no chase area for installation and maintenance.

(Unit may be shown with optional features)

To specify fixture and accessories, use the Model Number and Options page.

Example: To specify a Surface Mounted Wall Shower with temp./pressure-balancing mixing valve, standard 2.5 GPM flow rate, APS adjustable vandal-resistant shower head, and surface mounted soap dish

Use the following Willoughby Model Number:

**CWSMS-TPV-2.5-APS-SD**

visit our website at [www.willoughby-ind.com](http://www.willoughby-ind.com)

5105 West 78th Street • Indianapolis, IN. 46268

(317) 875-0830 • Fax: (317) 875-0837 • (800) 428-4065



MADE IN THE U.S.A.

# MODEL NUMBER AND OPTIONS:

**1.) Base Model Number:**

CWSMS Surface Mounted Wall Shower

**5.) Electronic Control\* (Must Use Electronic Push Button):**

WUSC-2200     WUSC-2400     Pneutronic

**2.) Valve Selection:**

- NV No Valve
- PML1 Single Temp. Pneumatic Metering
- PML2 Dual Temp. Pneumatic Metering
- E1L1 Single Temp. Electronic (w/ Pneutronic Control)\*
- E1L2 Dual Temp. Electronic (w/ Pneutronic Control)\*
- PBV Pressure-Balancing Mixing Valve
- TPV Temperature/Pressure-Balancing Mixing Valve
- TPLR Ligature-resistant Temperature/Pressure-Balancing Mixing Valve
- SVC Single Temp. Compression Valve
- DVC Dual Temp. Compression Valves

**6.) Shower Head Selection:**

- APS Adjustable Vandal-resistant Shower Head
- NPS Non-Adjustable Vandal-resistant Shower Head
- UBJ Universal Ball Joint Shower Head
- LBJ Lockable Ball Joint Shower Head
- CSH Ligature-resistant Shower Head

**3.) Push Button Selection:**

*Pneumatic or Electronic Valves Only:*

- PPB Pneumatic Push Buttons
- PBH Ligature-resistant Pneumatic Push Buttons
- EPB Electronic Push Buttons\*
- EPBH Ligature-resistant Electronic Push Buttons\*
- PZPB Piezo Electronic Push Buttons\*

**7.) Other Options:**

- TF24H Hard-wired Transformer, 110VAC to 24VAC\* (Standard)
- TF24P Plug-in Transformer, 110VAC to 24VAC\*
- TMV Inline Thermostatic Mixing Valve
- SD Surface Mounted Soap Dish
- RD Recessed Mounted Soap Dish
- GB Grab Bar (Wall Mounted, Specify Dimensions): \_\_\_\_\_

PS Pipe Shroud (Specify Length): \_\_\_\_\_  
 (Pipe Shroud option changes Riveted Sloped Top to Flat Top)

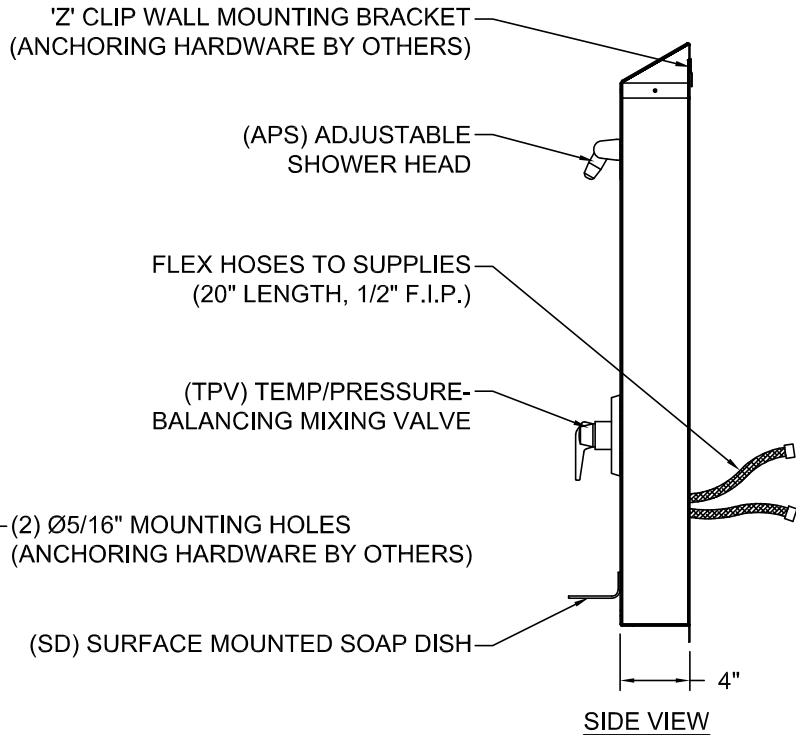
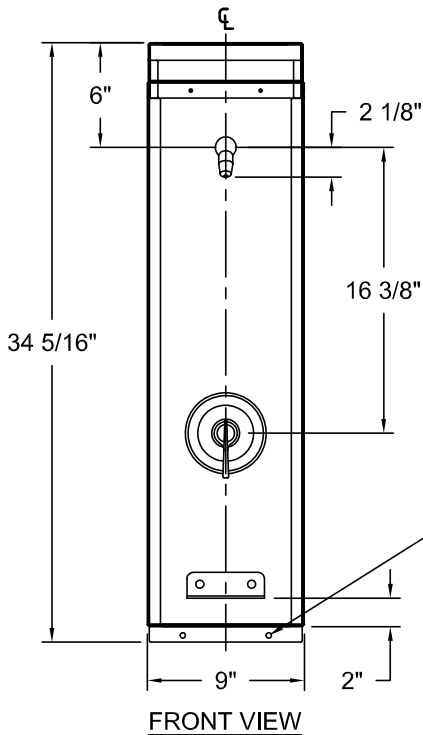
Other \_\_\_\_\_  
 Other \_\_\_\_\_  
 \*(Req. 110V power through ground fault interrupter (GFCI) receptacle)

**4.) Flow Rates:**

2.5 GPM (Standard)     2.0 GPM     1.5 GPM

Approved For Manufacturing By: \_\_\_\_\_ Date: \_\_\_\_\_ Company: \_\_\_\_\_  
 Wall Thickness: \_\_\_\_\_ Wall Type: \_\_\_\_\_

**VERIFY ALL DIMENSIONS WITH FACTORY PRIOR TO ROUGH-IN**  
 WILLOUGHBY RESERVES THE RIGHT TO MAKE CHANGES IN DESIGN AND DIMENSIONS WITHOUT FORMAL NOTICE AND WITHOUT INCURRING OBLIGATION.



visit our website at [www.willoughby-ind.com](http://www.willoughby-ind.com)  
 5105 West 78th Street • Indianapolis, IN. 46268  
 (317) 875-0830 • Fax: (317) 875-0837 • (800) 428-4065



MADE IN THE U.S.A.