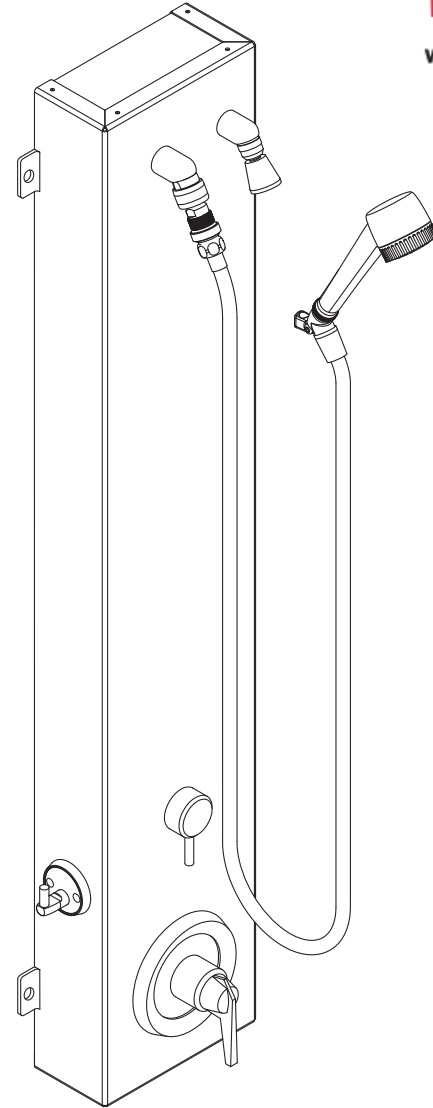


CWSMSH-HCA Series Handicap Accessible Hinged Surface Mounted Wall Shower



(Unit may be shown with optional features)

Recommended Specifications

Handicap Accessible, Hinged Surface Mounted Wall Shower shall be: Willoughby Model No. **CWSMSH-HCA** (Select from model number and options list on next page)

Hinged shower panel shall be fabricated from 18 gauge, Type 304 stainless steel with exposed stainless surfaces polished to a #4 satin finish. Top and bottom panels are riveted on to shower panel.

Standard equipment shall include:

- Shower valves (from Valve Selection options list)
- Shower heads (from Shower Head Selection options list)

Anchoring shall be by (3) 1" opening hinges with $\text{Ø}5/16$ " mounting holes and (2) $\text{Ø}5/16$ " mounting tabs (anchoring hardware by others). Shower unit shall be factory assembled, tested for proper operation, and ready for installation by a contractor. Unit requires no chase area for installation and maintenance.

To specify fixture and accessories, use the Model Number and Options page.

Example: To specify a Handicap Accessible, Hinged Surface Mounted Wall Shower with temp./ pressure-balancing mixing valve, diverter valve, standard 2.5 GPM flow rate, and UBJ universal ball joint and FX Flexshower shower heads

Use the following Willoughby Model Number:
CWSMSH-HCA-TPV-DV-2.5-UBJ-FX

Handicap Accessible:

The CWSMSH-HCA will conform to most, but not all, ADA requirements; for complete ADA Compliance, see Model No. CWSMS-ADA-WH (non-hinged). (Compliance shall be subject to the requirements of the local code authority based on installation-specific details and is the responsibility of the installer.)

MODEL NUMBER AND OPTIONS:

1.) Base Model Number:

- CWSMSH-HCA Handicap Accessible, Hinged Surface Mounted Wall Shower

2.) Valve Selection:

- NV No Valve
- PML1 Single Temp. Pneumatic Metering
- PML2 Dual Temp. Pneumatic Metering
- E1L1 Single Temp. Electronic (w/ Pneutronic Control)*
- E1L2 Dual Temp. Electronic (w/ Pneutronic Control)*
- PBV Pressure-Balancing Mixing Valve
- TPV Temperature/Pressure-Balancing Mixing Valve
- SVC Single Temp. Compression Valve
- DVC Dual Temp. Compression Valves
- MA2 **Valve Manifold Option (Pneumatic or Electronic Valves Only):**
(See the Manifold Option Page at the end of Catalog Section C14 for further information)

3.) Diverter Valve:

- DV Diverter Valve
- DVLR Ligature-resistant Diverter Valve
- PML1-MA2 Two Single Temp. Pneumatic Metering Valves
(Used to divert water flow to either upper, lower, or both shower heads; for use with Mixing Valve options above)

4.) Push Button Selection:

Pneumatic or Electronic Valves Only:

- PPB Pneumatic Push Buttons
- PBH Ligature-resistant Push Buttons
- EPB Electronic Push Buttons*
- EPBH Ligature-resistant Electronic Push Buttons*
- PZPB Piezo Electronic Push Buttons*

5.) Flow Rates:

- 2.5 GPM (Standard) 2.0 GPM 1.5 GPM

6.) Electronic Control* (Must Use Electronic Push Button):

- WUSC-2200 WUSC-2400 Pneutronic

7.) Shower Head Selection:

- APS Adjustable Vandal-resistant Shower Head
- NPS Non-Adjustable Vandal-resistant Shower Head
- UBJ Universal Ball Joint Shower Head
- LBJ Lockable Ball Joint Shower Head
- CSH Ligature-resistant Shower Head
- FX Hand-held Flexshower Head (w/ quick disconnect, vacuum breaker, and (1) hook)
- 2HD Dual Fixed Shower Heads (replaces (FX) Flexshower head w/ second of the selected fixed Shower Head)

8.) Other Options:

- TF24H Hard-wired Transformer, 110VAC to 24VAC* (Standard)
- TF24P Plug-in Transformer, 110VAC to 24VAC*
- TMV Inline Thermostatic Mixing Valve
- HL Hi-Lo (2 Hooks For Flexshower)
- SLB24 24" Adjustable Slide Bar (for Flexshower)
- SD Surface Mounted Soap Dish (Wall Mounted)
- RSD2 Recessed Soap Dish (In-Wall Mounted)
- GB Grab Bar (Wall Mounted, Specify Dimensions):

- PS Pipe Shroud (Specify Length): _____

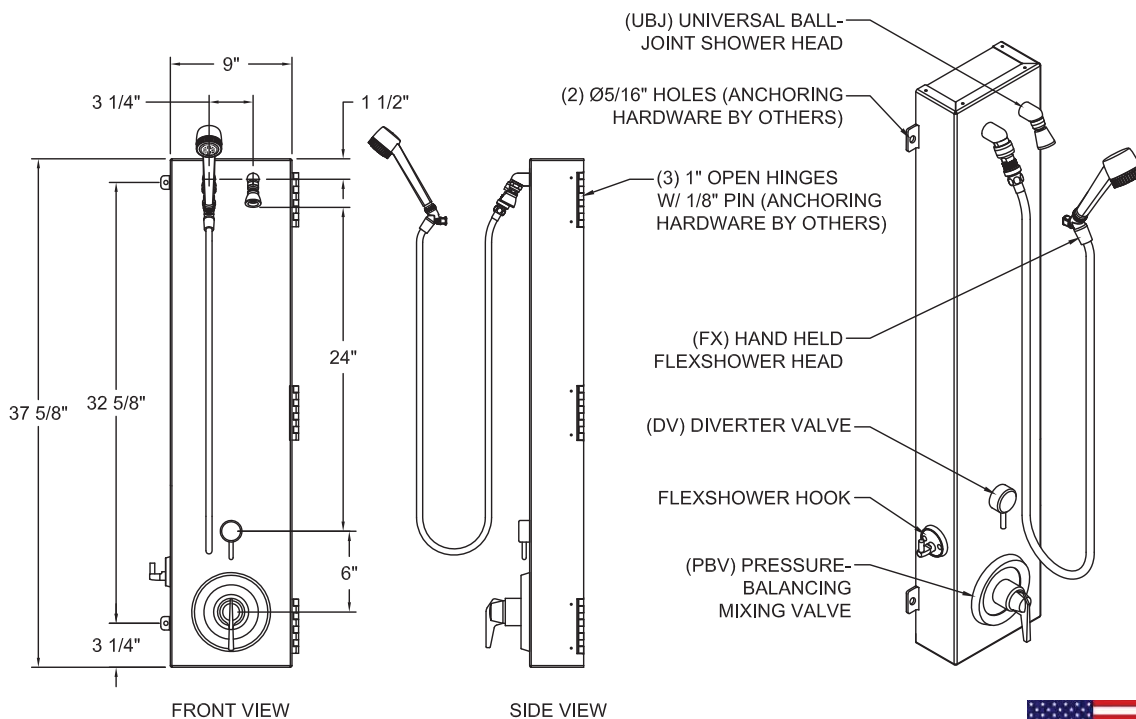
- Other _____

- Other _____

*(Req. 110V power through ground fault interrupter (GFCI) receptacle)

Approved For Manufacturing By: _____ Date: _____ Company: _____
Wall Thickness: _____ Wall Type: _____

VERIFY ALL DIMENSIONS WITH FACTORY PRIOR TO ROUGH-IN
WILLOUGHBY RESERVES THE RIGHT TO MAKE CHANGES IN DESIGN AND DIMENSIONS WITHOUT FORMAL NOTICE AND WITHOUT INCURRING OBLIGATION.



visit our website at www.willoughby-ind.com

5105 West 78th Street • Indianapolis, IN. 46268

(317) 875-0830 • Fax: (317) 875-0837 • (800) 428-4065



MADE IN THE U.S.A.