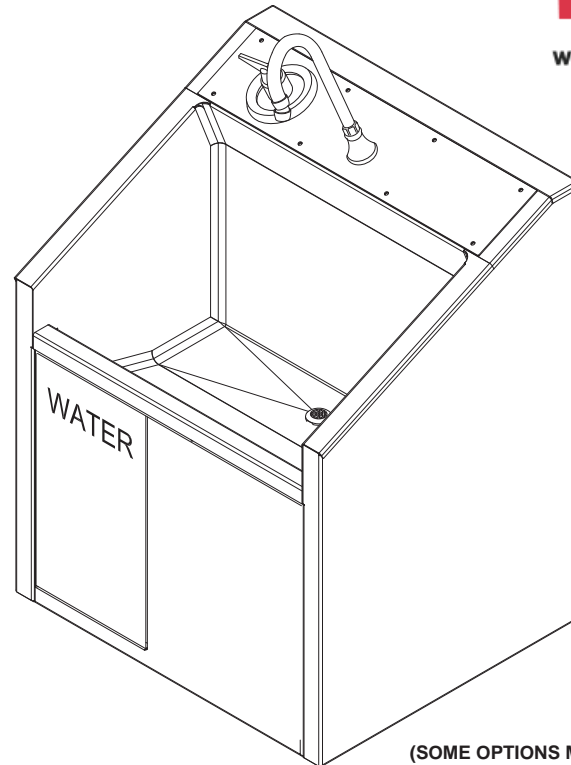


CWSSS Series Commercial Surgical Scrub Sink



(SOME OPTIONS MAY BE SHOWN)

To specify fixture and accessories, use the Model Number and Options page.

Example: To specify a single station Commercial Surgical Scrub Sink with standard temp/pressure-balancing mixing valve, standard knee-activated water actuator, and in-wall mounting carrier

Use the following Willoughby Model Number:

CWSSS-1-TPV-KA-MC

Recommended Specifications

Commercial Surgical Scrub Sink shall be:
Willoughby Model No. **CWSSS**
(Select from model number and options list on next page)

Fixture shall be fabricated from 14 GA, Type 304 stainless steel. The construction shall be all-welded with exposed exterior stainless steel surfaces polished to a #4 satin finish. Bowl shall have a bead-blast finish.

Standard equipment shall include:

- Knee-activated mechanical pilot-type water valves, activated by one push of a knee-operated front panel and turned off by a second push of the panel
- Faucet panel-mounted temperature/pressure mixing valves
- Gooseneck faucets with laminar flow nozzles
- Machined stainless steel drain with tailpiece
- 1-1/2" F.I.P. slip joint, cast brass union 'P' trap

Anchoring shall be from the front with 'Z' clip and wall anchoring hardware (by others); a wall mounting carrier or mounting base is available as optional equipment. Unit requires no chase area for installation and maintenance.

Units are provided with front panels which are easily removed for access to valves and waste connections.

Optional Features:

- IR- Infrared Sensor Actuated Water Valves
- Mounting Carrier
- Mounting Base
- Liquid Soap Dispensers- Knee-activated, Hydraulic
- Storage Shelf
- Light Module- with Built-in Storage Shelf
- Digital Time Display
- Swing-down Eye Wash Stations

visit our website at www.willoughby-ind.com

5105 West 78th Street • Indianapolis, IN. 46268

(317) 875-0830 • Fax: (317) 875-0837 • (800) 428-4065



MADE IN THE U.S.A.

MODEL NUMBER AND OPTIONS:

1.) Base Model:

CWSSS Commercial Surgical Scrub Sink

2.) Number of Stations:

- 1 Single Station
- 2 Two Station (with 1 Divider Panel)
- 3 Three Station (with 2 Divider Panels)

3.) Temperature Controls:

- TPV Temperature/Pressure-balancing Mixing Valves -Above Deck (Standard)
- PBV Pressure-Balancing Mixing Valves- Above Deck
- TMV Inline Thermostatic Mixing Valves

4.) Water Actuators:

- KA Knee-activated Actuators (Standard)
- IR Infrared Sensor Actuators*

5.) Mounting Options:

- 'Z' Clips (Wall anchors by others) (Standard)
- MC Mounting Carrier (off-floor installation)
- MB Mounting Base (on-floor installation)

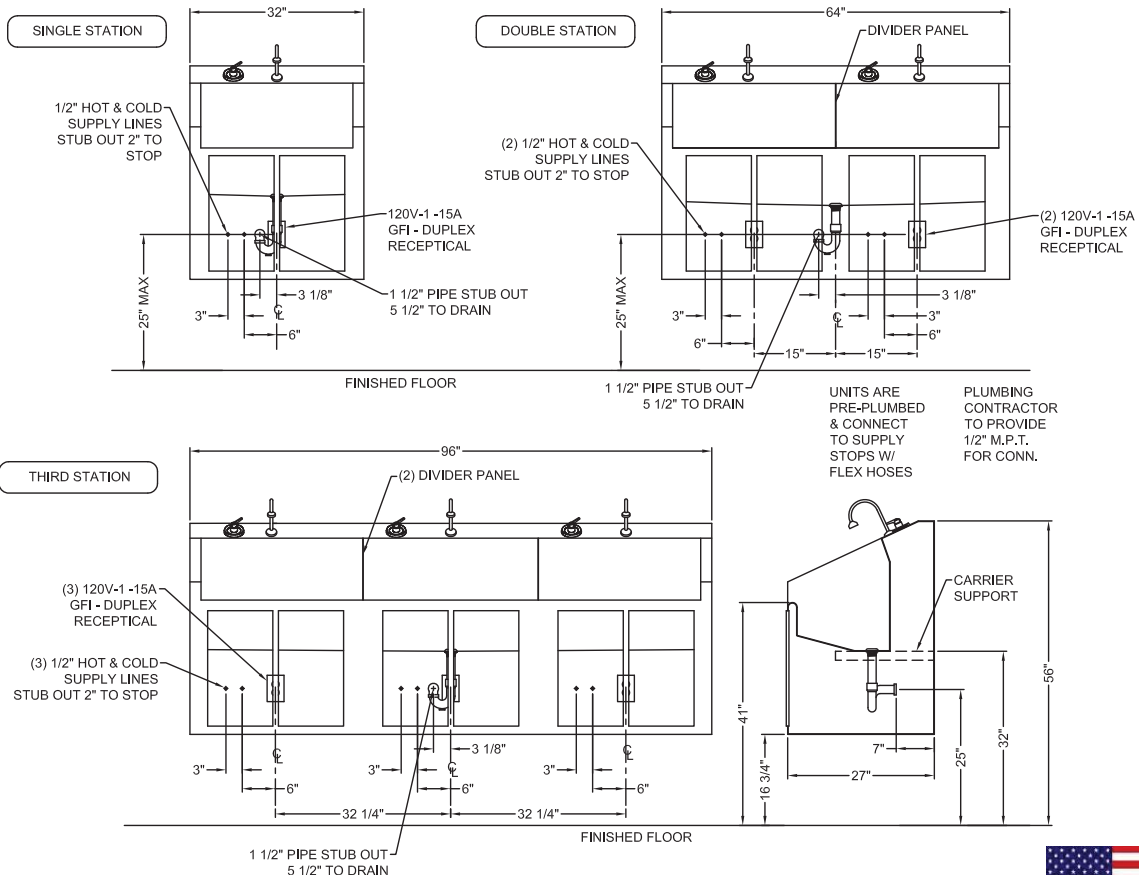
6.) Options:

- LSD Liquid Soap Dispensers (Knee-activated hydraulic)
- LM Light Module w/ Storage Shelf (Field-wired to 120V-15A wall switch, by others)
- SHLF Storage Shelf
- DTD Digital Time Display*
- SDEW Swing Down Eye Wash (Mixing valve by others)
- Other: _____
- Other: _____

*(Req. 110V power through ground fault interrupter (GFCI) receptacle)

Approved For Manufacturing By: _____ Date: _____ Company: _____
 Wall Thickness: _____ Wall Type: _____

VERIFY ALL DIMENSIONS WITH FACTORY PRIOR TO ROUGH-IN
 WILLOUGHBY RESERVES THE RIGHT TO MAKE CHANGES IN DESIGN AND DIMENSIONS WITHOUT FORMAL NOTICE AND WITHOUT INCURRING OBLIGATION.



visit our website at www.willoughby-ind.com
 5105 West 78th Street • Indianapolis, IN. 46268
 (317) 875-0830 • Fax: (317) 875-0837 • (800) 428-4065



MADE IN THE U.S.A.