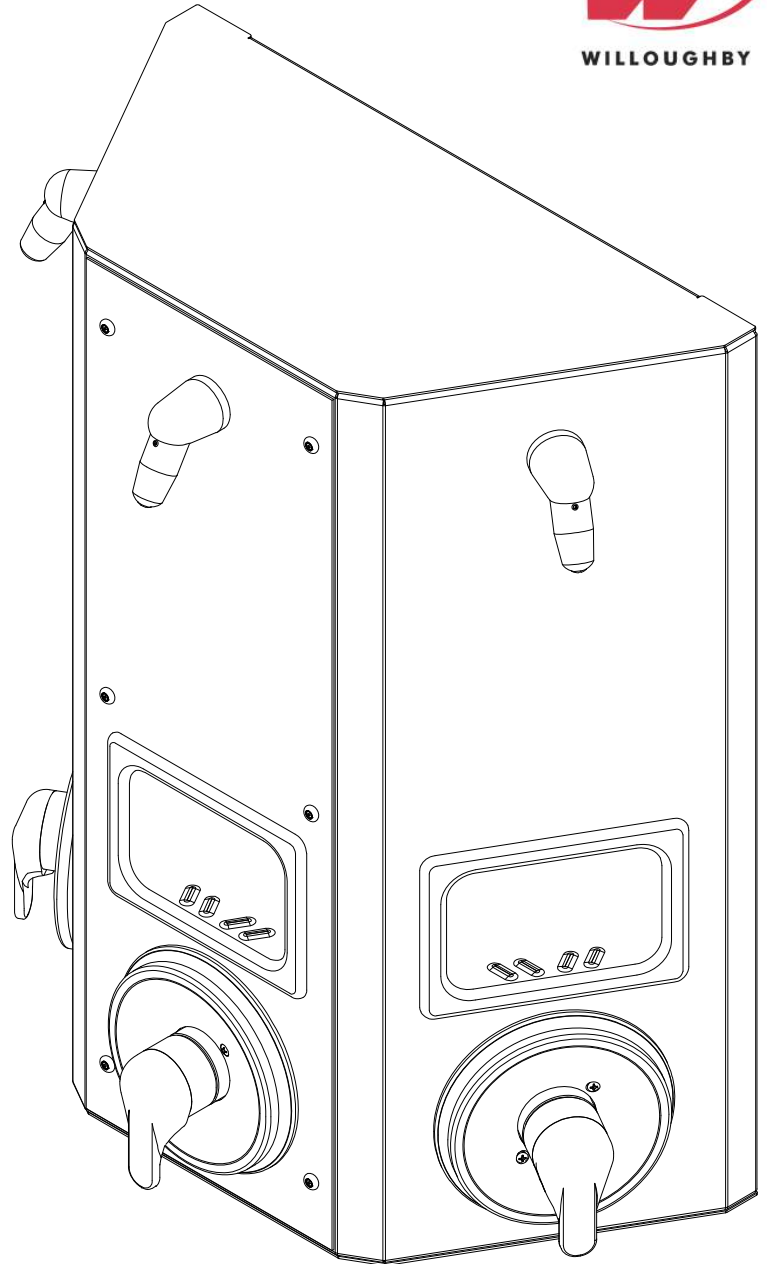


## CWTS Series Three Station Surface Mounted Wall Shower



### Recommended Specifications

Three Station, Surface Mounted Wall Shower shall be:  
Willoughby Model No. **CWTS**  
(Select from model number and options list on next page)

Shower face plates shall be fabricated from 16 gauge,  
Type 304 stainless steel with exposed stainless surfaces  
polished to a #4 satin finish. Wall bracket shall be fabri-  
cated from 16 gauge, Type 304 stainless steel.

Standard equipment shall include:

- Shower valves (from Valve Selection options list)
- Shower heads (from Shower Head Selection options list)
- Mounting bracket

Shower face plate shall attach to mounting bracket with  
vandal resistant stainless steel security screws. Mounting  
bracket anchoring hardware by others. Unit requires no  
chase area for installation and maintenance.

(Unit may be shown with optional features)

To specify fixture and accessories, use the Model Number and Options page.

Example: To specify a Three Station, Surface Mounted Wall Shower with temp./pressure-balancing mixing valves, standard 2.5 GPM flow rate, APS adjustable vandal-resistant shower heads, and recessed soap dishes

Use the following Willoughby Model Number:  
**CWTS-TPV-2.5-APS-RD**

# MODEL NUMBER AND OPTIONS:

## 1.) Base Model Number:

- CWTS Surface Mounted, Three Station Wall Shower

## 2.) Valve Selection:

- NV No Valve  
 PML1 Single Temp. Pneumatic Metering  
 PML2 Dual Temp. Pneumatic Metering  
 E1L1 Single Temp. Electronic (w/ Pneutronic Control)\*  
 E1L2 Dual Temp. Electronic (w/ Pneutronic Control)\*  
 PBV Pressure-Balancing Mixing Valve  
 TPV Temperature/Pressure-Balancing Mixing Valve  
 TPLR Ligature-resistant Temp/Pressure-balancing Mixing Valve  
 SVC Single Temp. Compression Valve  
 DVC Dual Temp. Compression Valves

## 3.) Push Button Selection:

*Pneumatic or Electronic Valves Only:*

- PPB Pneumatic Push Buttons  
 PBH Ligature-resistant Push Buttons  
 EPB Electronic Push Buttons\*  
 EPBH Ligature-resistant Electronic Push Buttons\*  
 PZPB Piezo Electronic Push Buttons\*

## 4.) Flow Rates:

- 2.5 GPM (Standard)     2.0 GPM     1.5 GPM

## 5.) Electronic Control\* (Must Use Electronic Push Button):

- WUSC-2200     WUSC-2400     Pneutronic

## 6.) Shower Head Selection:

- APS Adjustable Vandal-resistant Shower Head  
 NPS Non-Adjustable Vandal-resistant Shower Head  
 UBJ Universal Ball Joint Shower Head  
 LBJ Lockable Ball Joint Shower Head  
 CSH Ligature-resistant Shower Head  
 FX Hand-held Flexshower Head (w/ quick disconnect, vacuum breaker, and (1) hook)

## 7.) Other Options:

- TF24H Hard-wired Transformer, 110VAC to 24VAC\* (Standard)  
 TF24P Plug-in Transformer, 110VAC to 24VAC\*  
 TMV Inline Thermostatic Mixing Valve  
 SLB24 24" Adjustable Slide Bar (for Flexshower, Wall Mounted)  
 SD Surface Mounted Soap Dish  
 RD Recessed Mounted Soap Dish  
 GB Grab Bar (Wall Mounted, Specify Dimensions):

PS Pipe Shroud (Specify Length): \_\_\_\_\_

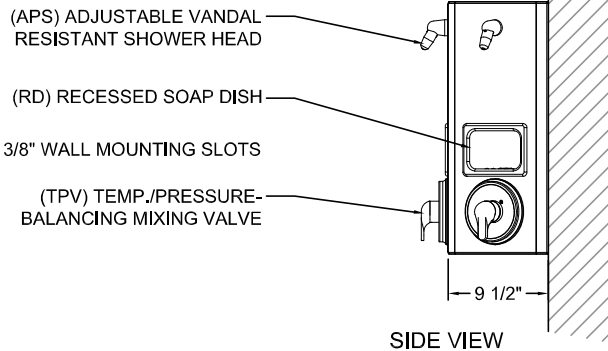
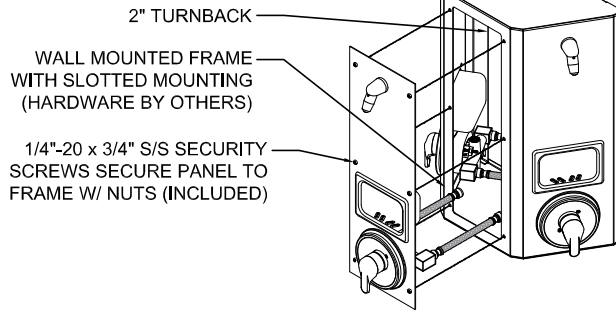
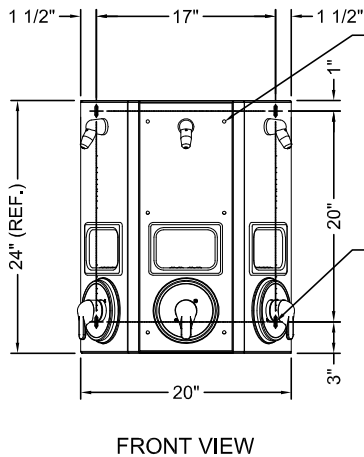
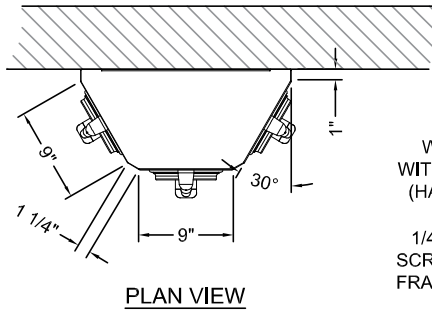
Other \_\_\_\_\_

Other \_\_\_\_\_

\* (Req. 110V power through ground fault interrupter (GFCI) receptacle)

Approved For Manufacturing By: \_\_\_\_\_ Date: \_\_\_\_\_ Company: \_\_\_\_\_  
 Wall Thickness: \_\_\_\_\_ Wall Type: \_\_\_\_\_

**VERIFY ALL DIMENSIONS WITH FACTORY PRIOR TO ROUGH-IN**  
 WILLOUGHBY RESERVES THE RIGHT TO MAKE CHANGES IN DESIGN AND DIMENSIONS WITHOUT FORMAL NOTICE AND WITHOUT INCURRING OBLIGATION.



visit our website at [www.willoughby-ind.com](http://www.willoughby-ind.com)  
 5105 West 78th Street • Indianapolis, IN. 46268  
 (317) 875-0830 • Fax: (317) 875-0837 • (800) 428-4065



MADE IN THE U.S.A.