

## CWWS Commercial Wall Sink

### Recommended Specifications

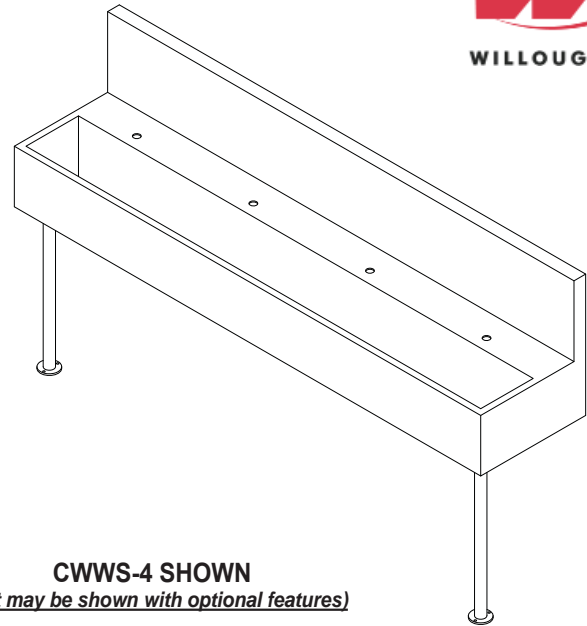
Commercial Wall Sink shall be:  
Willoughby Model No. **CWWS-\_\_\_**  
(select model from table)

Fixture shall be fabricated from 14 GA, Type 304 stainless steel with 12 GA stainless steel under-bracing. The construction shall be all-welded with exposed exterior surfaces polished to a #4 satin finish. Bowl interior is a bead-blast finish.

Standard equipment shall include:

- Rectangular stainless steel bowl w/sound-deadened underside
- 1-1/2" O.D. stainless steel legs
- Flanged feet with (3) Ø5/16" holes for floor anchoring
- Z-clip for wall mounting
- 5" square flat strainer
- Ø1-1/2" x 4" long welded stainless steel tailpiece

Unit is field plumbed for faucet connections.  
Verify faucet hole configurations when ordering.



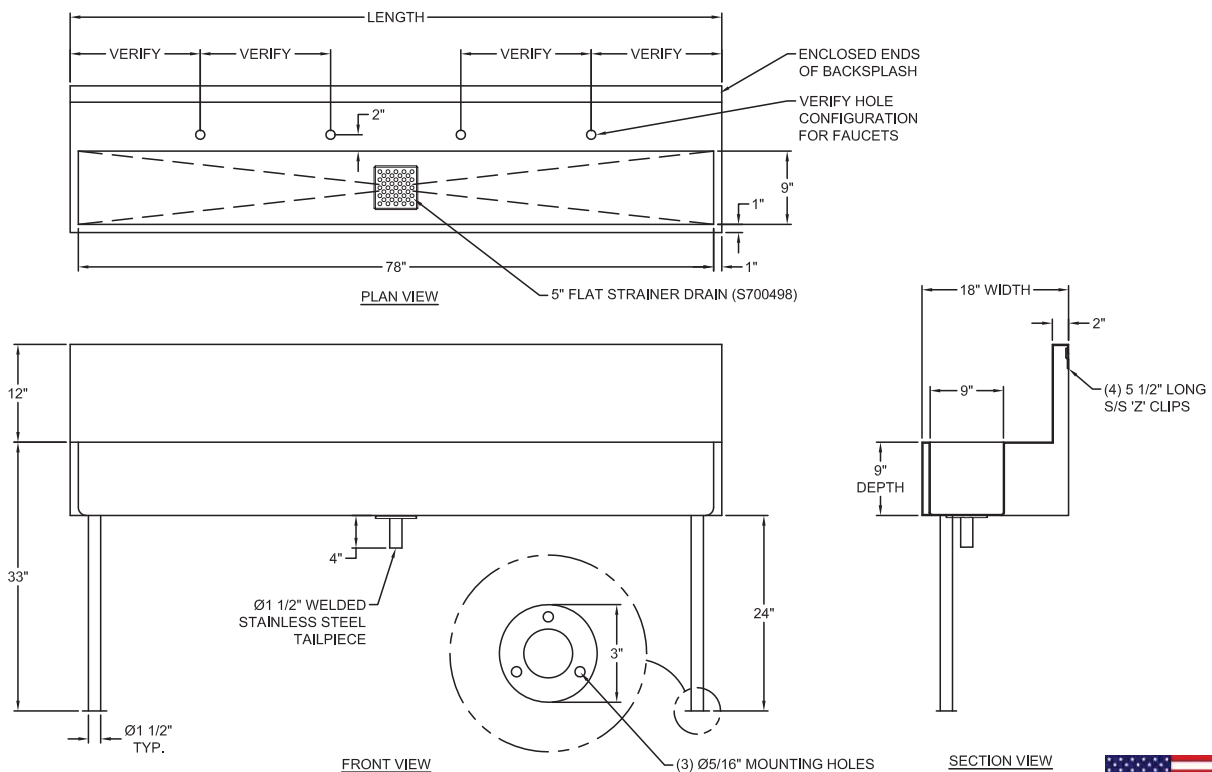
**CWWS-4 SHOWN**  
(Unit may be shown with optional features)

✓	MODEL NUMBER	STATIONS	LENGTH	WIDTH
	<b>CWWS-2</b>	2	48"	18"
	<b>CWWS-3</b>	3	62"	18"
	<b>CWWS-4</b>	4	80"	18"
	<b>CWWS-5</b>	5	102"	18"

**Other Options:**

- SD Surface Mounted Soap Dishes

**VERIFY ALL DIMENSIONS WITH FACTORY PRIOR TO ROUGH-IN**  
WILLOUGHBY RESERVES THE RIGHT TO MAKE CHANGES IN DESIGN AND DIMENSIONS WITHOUT FORMAL NOTICE AND WITHOUT INCURRING OBLIGATION.



visit our website at [www.willoughby-ind.com](http://www.willoughby-ind.com)  
5105 West 78th Street • Indianapolis, IN. 46268  
(317) 875-0830 • Fax: (317) 875-0837 • (800) 428-4065



MADE IN THE U.S.A.