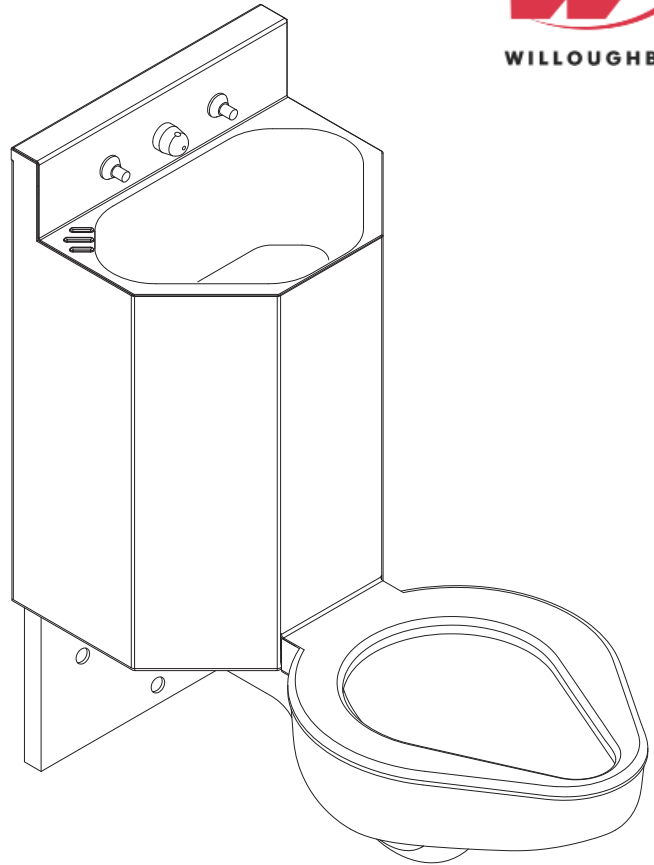


## ECW-1546-350-RPF Wall Mounted Wall Outlet Replacement Combination For Super Secur A-350



### Recommended Specifications

*(Unit may be shown with optional features)*

Wall Mounted, Wall Outlet, Replacement Combination lavatory/toilet (for Super Secur A-350) shall be:  
Willoughby Model No. **ECW-1546-350-RPF**  
(Designed to replace the discontinued **Super Secur A-350**)

Fixture shall be fabricated from 14 GA, Type 304 stainless steel. The construction shall be all welded, with exposed stainless surfaces polished to a #3 satin finish.

Standard toilet shall include: elongated toilet bowl with contoured seat, integral crevice-free self-draining flushing rim with positive afterfill and fully enclosed 3" O.D. trap which shall maintain a minimum 2" seal and pass a 2-5/8" ball. Toilet shall be blowout type which requires 35 psi minimum flushing pressure.

Standard lavatory shall include: multi-sided shaped bowl, 12-3/4" x 8-3/4" x 5" deep, stainless steel penal filler/bubbler, fast drain with air vent, combined waste w/ cleanout\* and self-draining soap dish.

Fixture shall withstand loadings up to 2,000 lbs. with no measurable deflection and loadings up to 5,000 lbs. with no permanent damage.

Cabinet interior shall be sound deadened with fire-resistant material.

Anchoring hardware by others. Unit shall require chase area for installation and maintenance.

***On back to back fixture installations, do not use standard cross type waste fitting: cross flow may result due to blowout jet action. Use sanitary or offset type waste fittings.***

Note: For 1.6 gallon flush, unit will pass a 2-1/8" ball.

***\* Check applicable plumbing code for acceptability.***

# MODEL NUMBER AND OPTIONS:

## 1.) Base Model Number:

- ECW-1546-350-RPF Wall Mounted, Wall Outlet, Replacement Combination for Super Secur A-350

## 2.) Toilet Orientation:

- C Centered

## 3.) Fixture Mounting:

- OF Off-Floor

## 4.) Bubblers Selection:

- BP Penal Bubbler/Filler (Standard)  
 BC Code Bubbler/Filler (w/ Mouth Guard)  
 BPH Ligature-resistant Bubbler/Filler  
 FL Penal Lav. Filler  
 FLH Ligature-resistant Lav. Filler

## 5.) Flush Valve GPF'S (Must Specify):

- 1.28 GPF HET  
 1.6 GPF ULF (Standard)  
 3.5 GPF (3" waste tube required)

## 6.) Lavatory Valve Selection:

- NV No Valve  
 PSL1 Single Temp. Pneumatic Non-metering  
 PSL2 Dual Temp. Pneumatic Non-metering  
 PML1 Single Temp. Pneumatic Metering  
 PML2 Dual Temp. Pneumatic Metering  
 E1L1 Single Temp. Electronic (Pick Control)\*  
 E1L2 Dual Temp. Electronic (Pick Control)\*

### Valve Manifold Options:

*Pneumatic or Electronic Only:*

- MA2  MA3  MA4

## 7.) Lavatory Valve Actuation:

- PPB Pneumatic Push Buttons  
 PBH Ligature-resistant Push Buttons  
 EPB Electronic Push Buttons\*  
 EPBH Ligature-resistant Electronic Push Buttons\*  
 PZPB Piezo Push Buttons\*

## 8.) Electronic Controls\*

**(Must Use Electronic Lavatory & Flush Valves):**

- WUCC-3010  Pneutronic  WMSII

## 9.) Lavatory Waste:

- EB Elbow Waste (1-1/2" F.I.P.)  
 PT Integral 'P'-Trap (1-1/2" F.I.P.)  
 LWLW Lavatory Waste Extension  
 OV Lavatory Overflow  
 CW1 Combined Waste w/o Clean-out  
 CW2 Combined Waste w/ Clean-out (Standard)  
 LW1 Thru-Wall Extension, 'P' Trap  
 LW2 Thru-Wall Extension & Clean-Out  
 SLOW Slow Drain

## 10.) Toilet Waste:

- TWE Toilet Waste Extension  
 TW3 3" Clean-Out for (TWE)  
 TW5 4" Clean-Out for (TWE)  
 PC3 Pinned Clean-Out Plug PVC-3"  
 PCB3 Pinned Clean-Out Plug Brass-3"  
 PC4 Pinned Clean-Out Plug PVC-4"  
 PCB4 Pinned Clean-Out Plug Brass-4"  
 GWC Gasketed Waste Connection (Standard)

## 11.) Toilet Waste Coupling For (TWE):

- TWC3P Connecting to 3" PVC  
 TWC3C Connecting to 3" Cast Iron  
 TWC4P Connecting to 4" PVC  
 TWC4C Connecting to 4" Cast Iron

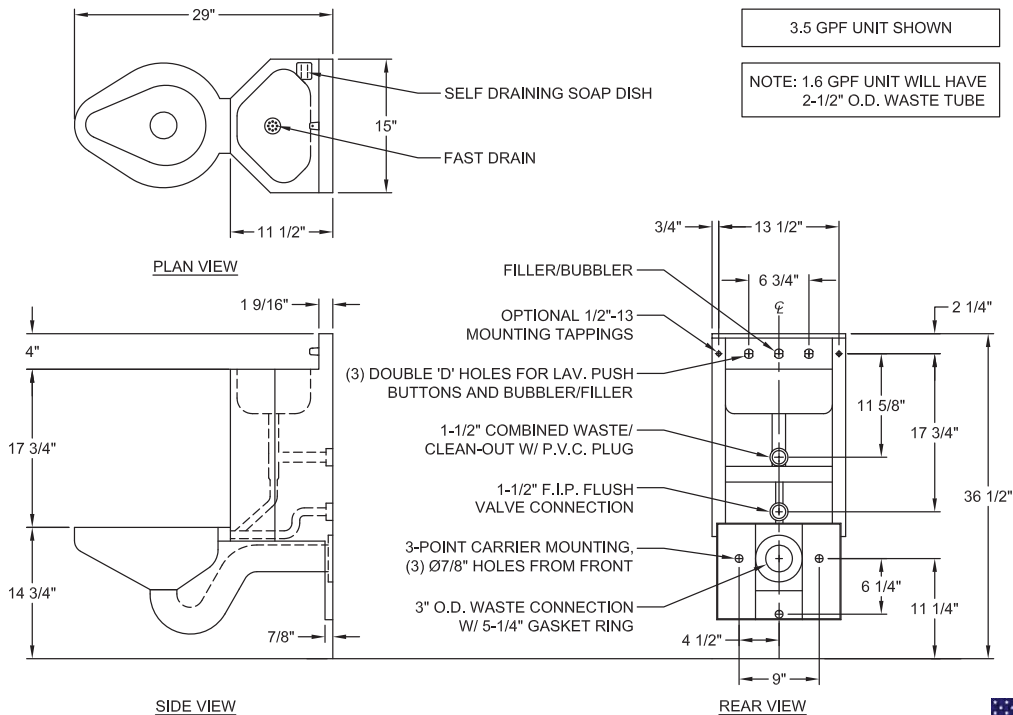
## 12.) Options

- T4 Manual Reset Toilet Overflow Preventer, Req.(FV)  
 T4A Auto Reset Toilet Overflow Preventer, Req. (FV)  
 ET4 Electronic Toilet Overflow Preventer, Requires (EFV) & (WUCC-3010) or (WMSII)\*  
 FV Hydraulic Flush Valve (Includes Push Button)  
 EFV Electronic Flush Valve (Pick Control)\*  
 EFVP Electronic Flush Valve w/ (PZPB) (Pick Control)\*  
 TFE Toilet Flush Extension  
 FVT Flush Valve Connection  
 HS Hinged White Plastic Seat (No Cover, not recommended for Maximum Security/Ligature-resistant use)  
 RTH\_\_ Recessed Tissue Holder  
 L  LF  C  RF  R  
 TB1\_\_ Single Toothbrush Holder  
 L  R  
 TB2\_\_ Dual Toothbrush Holder  
 L  R  
 TH1\_\_ Single Towel Hook  
 L  LF  C  RF  R  
 TH2\_\_ Dual Towel Hook  
 L  LF  C  RF  R  
 DC Decorator Color (Fixture exterior only - White)  
 TF24H Hard-wired Transformer, 110VAC to 24VAC\*  
 TF24P Plug-in Transformer, 110VAC to 24VAC\*  
 HPS High Polish Seat  
 VG Vent Grille, 6-1/2"x 9-1/2" (13-3/4 in<sup>2</sup> free area)  
 L  LF  RF  R  
 TG 12 Gauge Cabinet  
 TSC Toilet Shipping Cover  
 Other \_\_\_\_\_  
 Other \_\_\_\_\_

\*(Req. 110V power through ground fault interrupter (GFCI) receptacle)

Approved For Manufacturing By: \_\_\_\_\_ Date: \_\_\_\_\_ Company: \_\_\_\_\_  
 Wall Thickness: \_\_\_\_\_ Wall Type: \_\_\_\_\_

**VERIFY ALL DIMENSIONS WITH FACTORY PRIOR TO ROUGH-IN**  
 WILLOUGHBY RESERVES THE RIGHT TO MAKE CHANGES IN DESIGN AND DIMENSIONS WITHOUT FORMAL NOTICE AND WITHOUT INCURRING OBLIGATION.



visit our website at [www.willoughby-ind.com](http://www.willoughby-ind.com)  
 5105 West 78th Street • Indianapolis, IN. 46268  
 (317) 875-0830 • Fax: (317) 875-0837 • (800) 428-4065



MADE IN THE U.S.A.