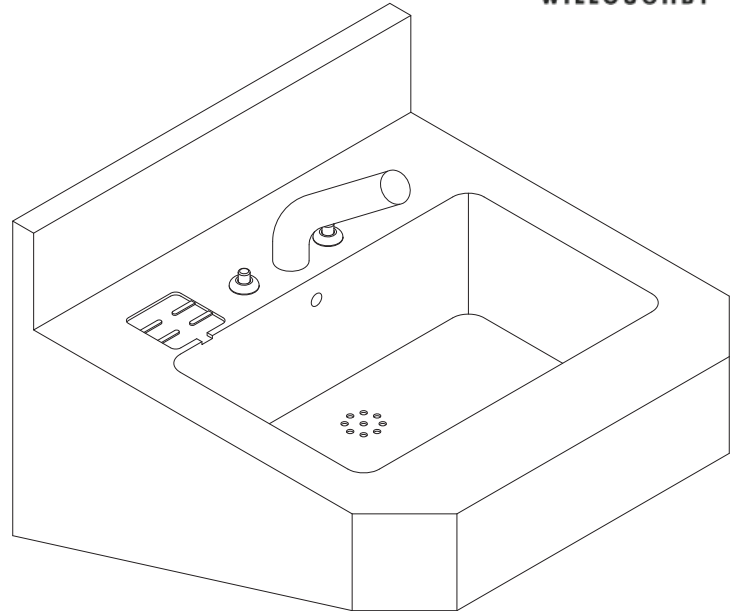




## ES-1015-HC Handicap Stainless Steel Commercial Lavatory



*(Unit may be shown with optional features)*

To specify fixture and accessories, use the Model Number and Options page.

Example: To specify a Handicap Stainless Steel Commercial Lavatory with deck mounted spout, dual temp. pneumatic metering valves, standard pneumatic push buttons, standard lav. overflow vent, and chrome plated removable P-trap

Use the following Willoughby Model Number:  
**ES-1015-HC-DMS-PML2-PPB-OV-TT**

### Recommended Specifications

Handicap Stainless Steel Commercial Lavatory shall be:  
Willoughby Model No. **ES-1015-HC**  
(select from model number and options list on next page)

Fixture shall be fabricated from 16 gauge, Type 304 stainless steel. The construction is all-welded with exposed stainless surfaces polished to a #3 satin finish.

Standard lavatory shall include:

- Rectangular-shaped bowl, 14-1/2" x 9-1/2" x 4-3/8" deep
- Fast drain with overflow vent
- 4" long, Ø1-1/2" tailpiece
- Self-draining soap dish

#### **Mounting:**

Anchoring shall be from the front with Z-clip and anchoring holes provided. Anchoring hardware by others. Wall requires adequate backing to support lavatory. Unit requires no chase area for installation and maintenance.

#### **ADA, TAS, and ANSI Compliant:**

When the lavatory is mounted at the standard 34" adult rim height, it complies with applicable ADA, TAS, and ANSI Z124.3 and Z124.6 accessibility guidelines.

*Note:* Plug-in transformer must be used with a ground fault interrupter (GFCI) receptacle to prevent possible electrical shock.

visit our website at [www.willoughby-ind.com](http://www.willoughby-ind.com)  
5105 West 78th Street • Indianapolis, IN. 46268  
(317) 875-0830 • Fax: (317) 875-0837 • (800) 428-4065



MADE IN THE U.S.A.

# MODEL NUMBER AND OPTIONS:

## 1.) Lavatory Model:

- ES-1015-HC 18" Handicap Stainless Steel Commercial Lavatory

## 2.) Spout/Bubbler Selection:

- DMS Deck Mounted Spout  
 DMBH Deck Mounted Hemispherical Bubbler

## 3.) Valve Selection:

- NV No Valve, No Spout / Bubbler- Faucet by Others (Select Hole Punching if needed)  
 PSL1 Single Temp. Pneumatic Non-metering  
 PSL2 Dual Temp. Pneumatic Non-metering  
 PML1 Single Temp. Pneumatic Metering  
 PML2 Dual Temp. Pneumatic Metering  
 E1L1 Single Temp. Electronic (w/ Pneutronic Control)\*  
 E1L2 Dual Temp. Electronic (w/ Pneutronic Control)\*

## 4.) Valve Actuation:

- PPB Pneumatic Push Buttons  
 PBH Ligature-resistant Pneumatic Push Buttons  
 EPB Electronic Push Buttons\*  
 EPBH Ligature-resistant Electronic Push Buttons\*  
 PZPB Piezo Electronic Push Buttons\*

## 5.) Hole Punching Selection (Faucet by Others):

- 4CC 4" Centerset, Ø1" Holes (Specify 2 or 3 holes: \_\_\_)  
 8CC 8" Centerset, Ø1" Holes (Specify 2 or 3 holes: \_\_\_)  
 1CC Center Shank, (1) Ø1" Hole  
 SP Special Punching (Specify hole punching dim.)  
 SP: \_\_\_\_\_

## 6.) Lavatory Waste Options:

- TT Chrome Plated Removable P-Trap  
 TE Trap Enclosure  
 OV Overflow Vent (Standard)

## 7.) Other Options:

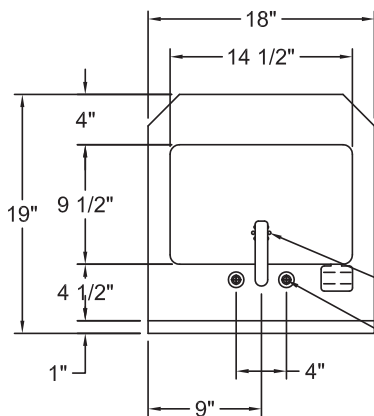
- TMV In-line Thermostatic Mixing Valve  
 DC Decorator Color (Fixture exterior only - White)  
 TF24H Hard-wired Transformer, 110VAC to 24VAC\* (Standard)  
 TF24P Plug-in Transformer, 110VAC to 24VAC\*  
 Other \_\_\_\_\_  
 Other \_\_\_\_\_

## 8.) Electronic Controls\* (Must Use Electronic Push Button):

- WUCC-3010  Pneutronic  
 (The WUCC-3010 Control can be used to pair a Lavatory with a Toilet)  
 \*(Req. 110V power through ground fault interrupter (GFCI) receptacle)

Approved For Manufacturing By: \_\_\_\_\_ Date: \_\_\_\_\_ Company: \_\_\_\_\_  
 Wall Thickness: \_\_\_\_\_ Wall Type: \_\_\_\_\_

**VERIFY ALL DIMENSIONS WITH FACTORY PRIOR TO ROUGH-IN**  
 WILLOUGHBY RESERVES THE RIGHT TO MAKE CHANGES IN DESIGN AND DIMENSIONS WITHOUT FORMAL NOTICE AND WITHOUT INCURRING OBLIGATION.



PLAN VIEW

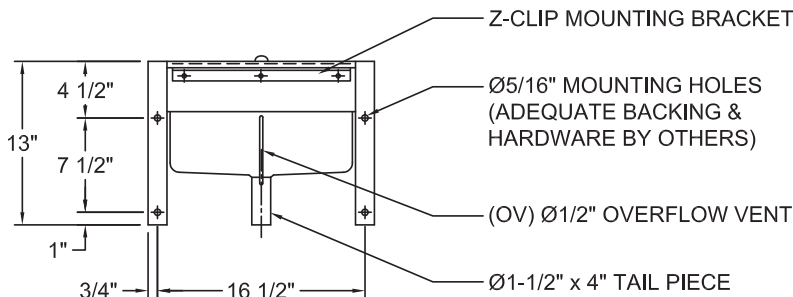
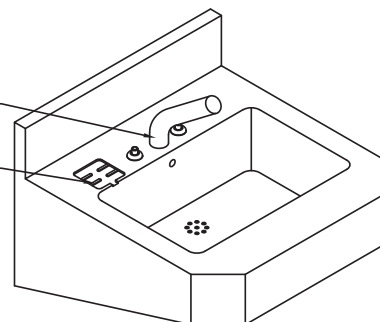


(DMS) DECK MOUNTED SPOUT

SELF-DRAINING SOAP DISH

INTEGRAL STRAINER FAST DRAIN

(3) DOUBLE-D HOLES FOR LAV. PUSH BUTTONS AND SPOUT/BUBBLER OR SPECIFIED HOLE PUNCHING FOR SEPARATE FAUCET (BY OTHERS)



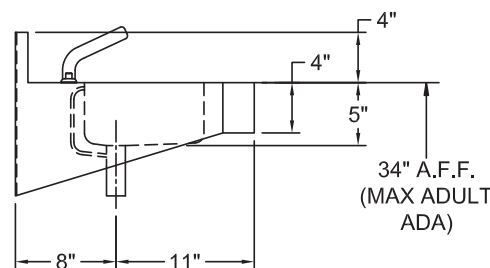
REAR VIEW

Z-CLIP MOUNTING BRACKET

Ø5/16" MOUNTING HOLES (ADEQUATE BACKING & HARDWARE BY OTHERS)

(OV) Ø1/2" OVERFLOW VENT

Ø1-1/2" x 4" TAIL PIECE



SIDE VIEW

visit our website at [www.willoughby-ind.com](http://www.willoughby-ind.com)

5105 West 78th Street • Indianapolis, IN. 46268

(317) 875-0830 • Fax: (317) 875-0837 • (800) 428-4065



MADE IN THE U.S.A.