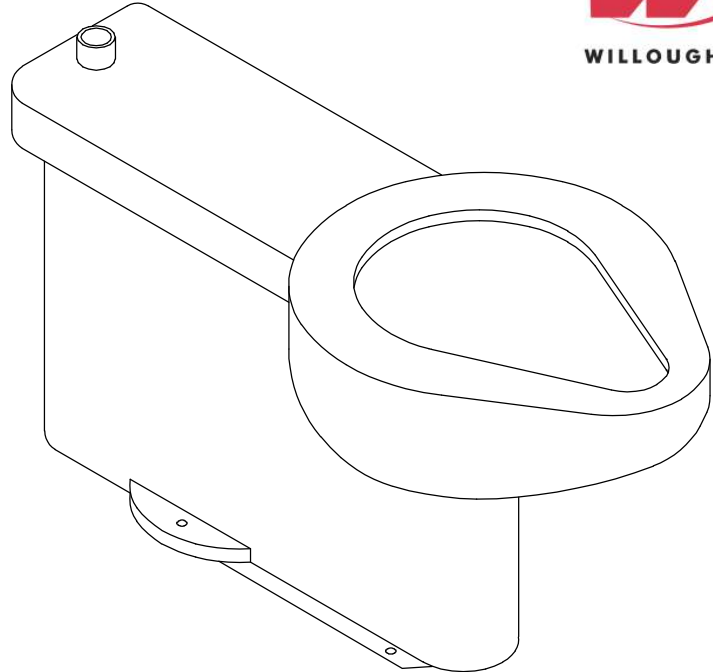


## ETF-1490-OW Floor Outlet Off Wall Mounted Siphon Jet Series Water Closet



IN COMPLIANCE  
WITH A.D.A. 2010

\* USE "HC" SUFFIX FOR  
18" A.F.F. SEAT HEIGHT

(1.6 GPF UNIT W/ 15" A.F.F.  
SEAT HEIGHT\* SHOWN)  
*(Unit may be shown with optional features)*

To specify fixture and accessories, use the Model Number and Options page.

Example: To specify a Floor Outlet, Off Wall Mounted, Siphon Jet Series Toilet with top spud, standard 15" seat height, 1.6 GPF, floor outlet waste connection, high polish seat, and toilet shipping cover

Use the following Willoughby Model Number:

**ETF-1490-OW-TS-1.6-TW4-HPS-TSC**

### Recommended Specifications

Floor Outlet, Off Wall Mounted, Siphon Jet Series Toilet shall be:  
Willoughby Model No. **ETF-1490-OW**  
(Select from model number and options list on next page)

Fixture shall be fabricated from 14 gauge, type 304 stainless steel.  
The construction shall be all welded, with exposed stainless surfaces  
polished to a #4 satin finish.

Standard toilet shall include:

- Elongated toilet bowl with contoured seat
- Integral crevice-free self-draining flushing rim with positive afterfill
- Fully enclosed 2-1/2" O.D. trap which shall maintain a minimum 2" seal and pass a 2-1/8" ball
- Bead blast finish bowl interior

Toilet shall be siphon jet type, requiring 35 PSI minimum flushing pressure. Model shall meet the requirements of ASME A112.19.3/CSA B45.4.

Fixture shall withstand loadings of 5,000 lbs. without permanent damage.

Anchoring shall be through the floor (anchoring hardware provided by others).

Unit requires no chase area for installation and maintenance.

Note: For HET 1.28 GPF, unit will pass a 2" ball.

visit our website at [www.willoughby-ind.com](http://www.willoughby-ind.com)

5105 West 78th Street • Indianapolis, IN. 46268

(317) 875-0830 • Fax: (317) 875-0837 • (800) 428-4065



MADE IN THE U.S.A.

# MODEL NUMBER AND OPTIONS:

**1.) Base Model Number:**

ETF-1490-OW Floor Outlet, Off Wall Mounted, Siphon Jet Series Toilet

**2.) Inlet Location:**

TS Top Spud

**3.) Toilet Seat Height:**

15" Seat Height (Standard)  
 HC 18" Seat Height, Handicap-ADA Compliant

**4.) Flush Valve GPF (Must Specify):**

1.28 GPF HET  
 1.6 GPF ULF (Standard)  
 3.5 GPF (3" waste tube required)

**5.) Toilet Waste:**

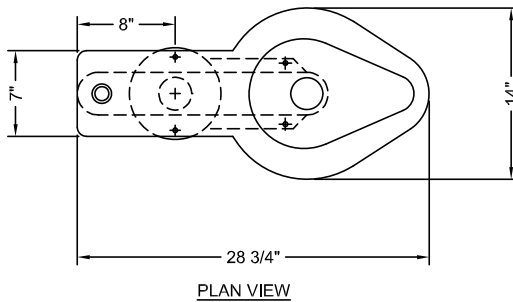
GWC Gasketed Waste Connection (Standard)  
 TW4 Floor Outlet Waste Connection  
 WO3 3" Toilet 'P' Trap (3.5 GPF Only)

**6.) Other Options:**

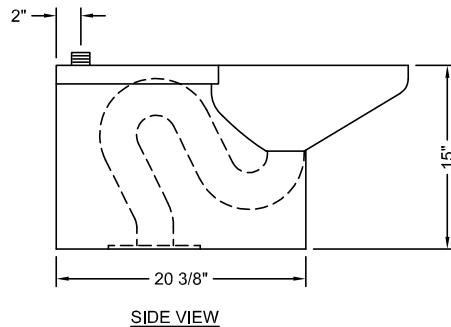
HS Hinged White Plastic Seat (No Cover, not recommended for Maximum Security/Ligature-resistant use)  
 DC Decorator Color (Fixture exterior only - White)  
 HPS High Polish Seat  
 TSC Toilet Shipping Cover  
 RTH1 Wall Mounted Recessed Tissue Holder (Rear Mounted, Requires Accessible Chase)  
 RTH2 Wall Mounted Recessed Tissue Holder (Front Mounted, 4-1/2" Depth)  
 Other \_\_\_\_\_  
 Other \_\_\_\_\_

Approved For Manufacturing By: \_\_\_\_\_ Date: \_\_\_\_\_ Company: \_\_\_\_\_  
 Wall Thickness: \_\_\_\_\_ Wall Type: \_\_\_\_\_

**VERIFY ALL DIMENSIONS WITH FACTORY PRIOR TO ROUGH-IN**  
 WILLOUGHBY RESERVES THE RIGHT TO MAKE CHANGES IN DESIGN AND DIMENSIONS WITHOUT FORMAL NOTICE AND WITHOUT INCURRING OBLIGATION.



1.6 GPF VERSION SHOWN,  
 3.5 AND 1.28 MAY VARY  
 IN SIZE.



visit our website at [www.willoughby-ind.com](http://www.willoughby-ind.com)  
 5105 West 78th Street • Indianapolis, IN. 46268  
 (317) 875-0830 • Fax: (317) 875-0837 • (800) 428-4065



MADE IN THE U.S.A.