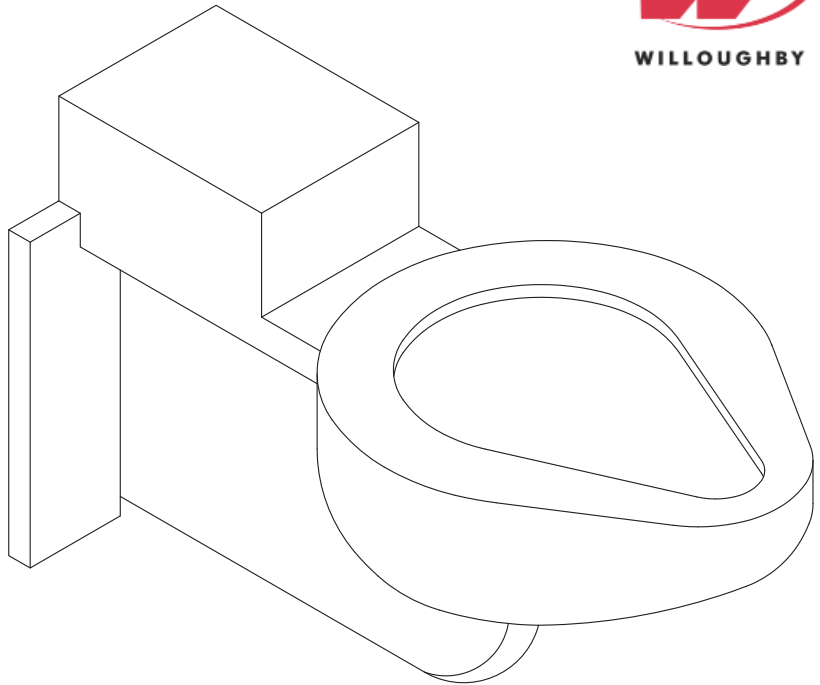


ETWS-1490-OF Wall Outlet Off Floor Mounted Siphon Jet Series Water Closet



IN COMPLIANCE
WITH A.D.A. 2010

* IF MOUNTING WITH
SEAT HEIGHT BETWEEN
17"-19" A.F.F.

(1.6 GPF UNIT SHOWN)

(Unit may be shown with optional features)

To specify fixture and accessories, use the Model Number and Options page.

Example: To specify a Wall Outlet, Off Floor Mounted, Siphon Jet Series Toilet with back spud, 1.6 GPF, toilet waste extension, 3" PVC waste connection, hydraulic flush valve, flush valve connection, high polish seat, wall sleeve, and toilet shipping cover

Use the following Willoughby Model Number:

ETWS-1490-OF-BS-1.6-TWE-TWC3P-FV-FVT-HPS-WS-TSC

Recommended Specifications

Wall Outlet, Off Floor Mounted, Siphon Jet Series Toilet shall be:
Willoughby Model No. **ETWS-1490-OF**
(Select from model number and options list on next page)

Fixture shall be fabricated from 14 gauge, type 304 stainless steel.
The construction shall be all welded, with exposed stainless surfaces
polished to a #4 satin finish.

Standard toilet shall include:

- Elongated toilet bowl with contoured seat
- Integral crevice-free self-draining flushing rim with positive afterfill
- Fully enclosed 2-1/2" O.D. trap which shall maintain a minimum 2" seal and pass a 2-1/8" ball
- Bead blast finish bowl interior

Toilet shall be siphon jet type, requiring 35 PSI minimum flushing pressure. Model shall meet the requirements of ASME A112.19.3/CSA B45.4.

Fixture shall withstand loadings of 5,000 lbs. without permanent damage.

Anchoring shall be by standard 4-point system: threaded rods, nuts and washers shall be furnished for walls up to 8" thick.

Unit shall require chase area for installation and maintenance.

On back to back fixture installations, do not use standard cross type waste fitting: cross flow may result due to blowout jet action. Use sanitary or off-set type waste fittings.

Note: For HET 1.28 GPF, unit will pass a 2" ball.

visit our website at www.willoughby-ind.com

5105 West 78th Street • Indianapolis, IN. 46268

(317) 875-0830 • Fax: (317) 875-0837 • (800) 428-4065



MADE IN THE U.S.A.

MODEL NUMBER AND OPTIONS:

1.) Base Model Number:

ETWS-1490-OF Wall Outlet, Off Floor Mounted, Siphon Jet Series Toilet

2.) Inlet Location:

BS Back Spud
 TS Top Spud

3.) Flush Valve GPF (Must Specify):

1.28 GPF HET
 1.6 GPF ULF (Standard)
 3.5 GPF (3" waste tube required)

4.) Toilet Waste:

TWE Toilet Waste Extension (Standard)
 TW3 3" Clean-out for (TWE)
 TW5 4" Clean-out for (TWE)
 GWC Gasketed Waste Connection
 WO3 3" Toilet 'P' Trap (3.5 GPF Only)
 PC3 Pinned Clean-out Plug PVC-3"
 PCB3 Pinned Clean-out Plug Brass-3"
 PC4 Pinned Clean-out Plug PVC-4"
 PCB4 Pinned Clean-out Plug Brass-4"
 COH4 4" Clean-out Hook, 4" PVC Plug

5.) Waste Coupling for (TWE) Toilet Waste Extension:

TWC3P Connecting to 3" PVC
 TWC3C Connecting to 3" Cast Iron
 TWC4P Connecting to 4" PVC
 TWC4C Connecting to 4" Cast Iron

6.) Other Options:

T4 Manual Reset Toilet Overflow Preventer, Requires: (FV) Hydraulic Flush Valve and Accessible Chase
 T4A Auto Reset Toilet Overflow Preventer, Requires: (FV) Hydraulic Flush Valve and Accessible Chase
 ET4 Electronic Toilet Overflow Preventer*, Requires (EFV), Accessible Chase, & (WUCC-3010) or (WMSII) control
 FV Hydraulic Flush Valve (Includes Actuator)
 EFV Electronic Flush Valve (Pick Control)*
 EFVP Electronic Flush Valve w/ (PZPB) Piezo Push Button (Pick Control)*
 TFE Toilet Flush Extension
 FVT Flush Valve Connection (Back Spud Only)
 ASFVC Flush Valve Cover (Ligature-resistant, Top Spud Only)
 ASFVCADA Ligature-resistant ADA Flush Valve Cover (Top Spud Only)
 AP Flush Valve Access Panel (Allows access to chase mounted flush valve from fixture side)
 HS Hinged White Plastic Seat (No Cover, not recommended for Maximum Security/Ligature-resistant use)
 DC Decorator Color (Fixture exterior only - White)
 TF24H Hard-wired Transformer, 110VAC to 24VAC*
 TF24P Plug-in Transformer, 110VAC to 24VAC*
 HPS High Polish Seat
 MT Wall Template
 WS Wall Sleeve (Requires Accessible Chase)
 TSC Toilet Shipping Cover
 RTH1 Wall Mounted Recessed Tissue Holder (Rear Mounted, Requires Accessible Chase)
 RTH2 Wall Mounted Recessed Tissue Holder (Front Mounted, 4-1/2" Depth)
 Other _____

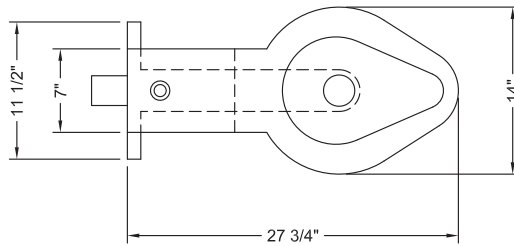
7.) Electronic Controls* (Must Use Electronic Flush Valve):

WUFC-4000 Pneutronic WMSII
 WUCC-3010 (Select WUCC-3010 Control if pairing a Toilet with a Lavatory or if the Toilet is selected with an (ET4) overflow option)

*(Req. 110V power through ground fault interrupter (GFCI) receptacle)

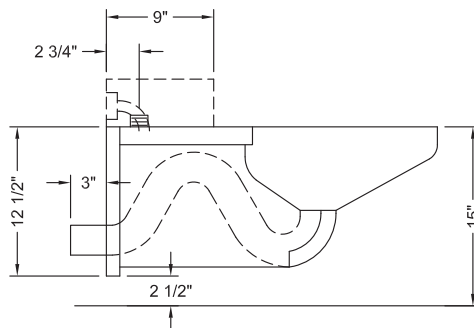
Approved For Manufacturing By: _____ Date: _____ Company: _____
 Wall Thickness: _____ Wall Type: _____

VERIFY ALL DIMENSIONS WITH FACTORY PRIOR TO ROUGH-IN
 WILLOUGHBY RESERVES THE RIGHT TO MAKE CHANGES IN DESIGN AND DIMENSIONS WITHOUT FORMAL NOTICE AND WITHOUT INCURRING OBLIGATION.



PLAN VIEW

1.6 GPF VERSION SHOWN,
 3.5 AND 1.28 MAY VARY
 IN SIZE.



SIDE VIEW

visit our website at www.willoughby-ind.com
 5105 West 78th Street • Indianapolis, IN. 46268
 (317) 875-0830 • Fax: (317) 875-0837 • (800) 428-4065



MADE IN THE U.S.A.