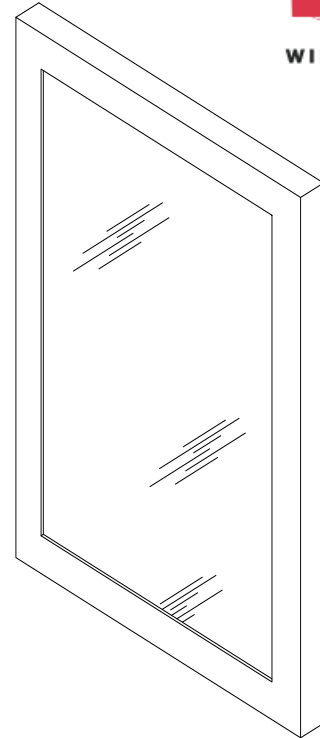


## FMR1 Framed Security Mirror Rear Mounted

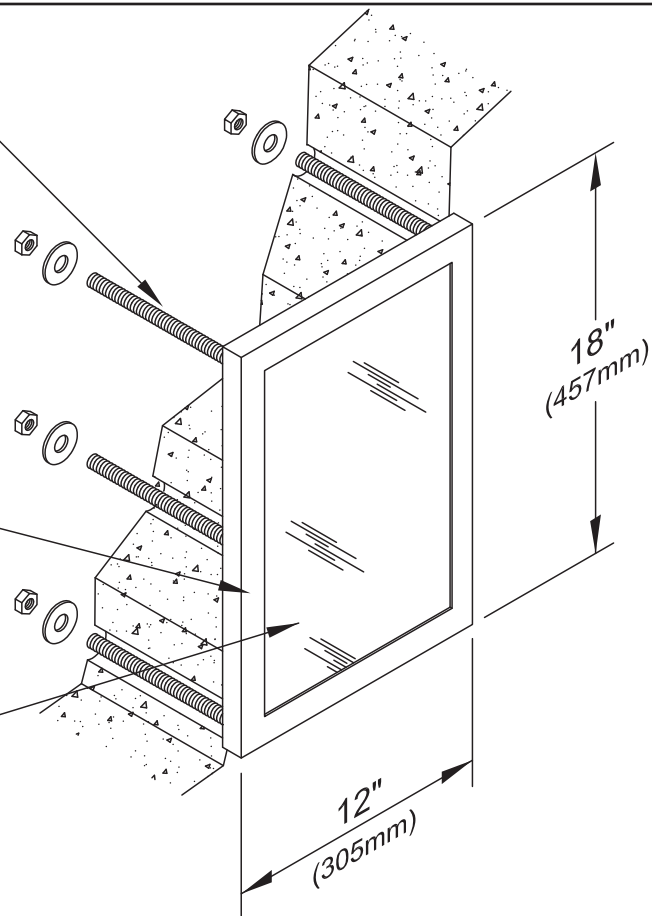


**FMR1** framed security mirror to be 16 GA, Type 304 stainless steel, polished to a #8 non-directional mirror finish. Mirror shall be reinforced with 1/2" fiberboard backing. Anchoring shall be by a 6-point system: threaded rods, nuts and washers furnished for walls up to 8" thick. Unit requires chase for installation.

1/2-13 ALL-THREAD W/  
NUTS & WASHERS,  
6-POINT Ø5/8" DRILLED  
HOLES REQUIRED

14 GA. STAINLESS  
STEEL MIRROR  
FRAME

20 GA. STAINLESS  
STEEL, TYPE 304,  
MIRROR FINISH



visit our website at [www.willoughby-ind.com](http://www.willoughby-ind.com)

5105 West 78th Street • Indianapolis, IN. 46268

(317) 875-0830 • Fax: (317) 875-0837 • (800) 428-4065



MADE IN THE U.S.A.