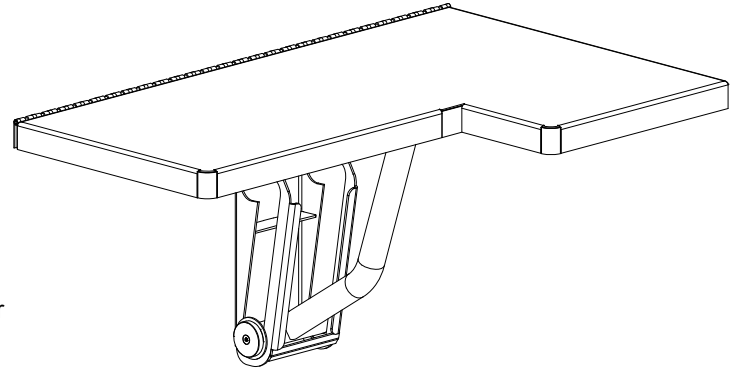


FSS Series Folding Shower Seat

✓	MODEL NUMBER	SEAT CONFIGURATION
	FSSR	RIGHT HAND
	FSSL	LEFT HAND



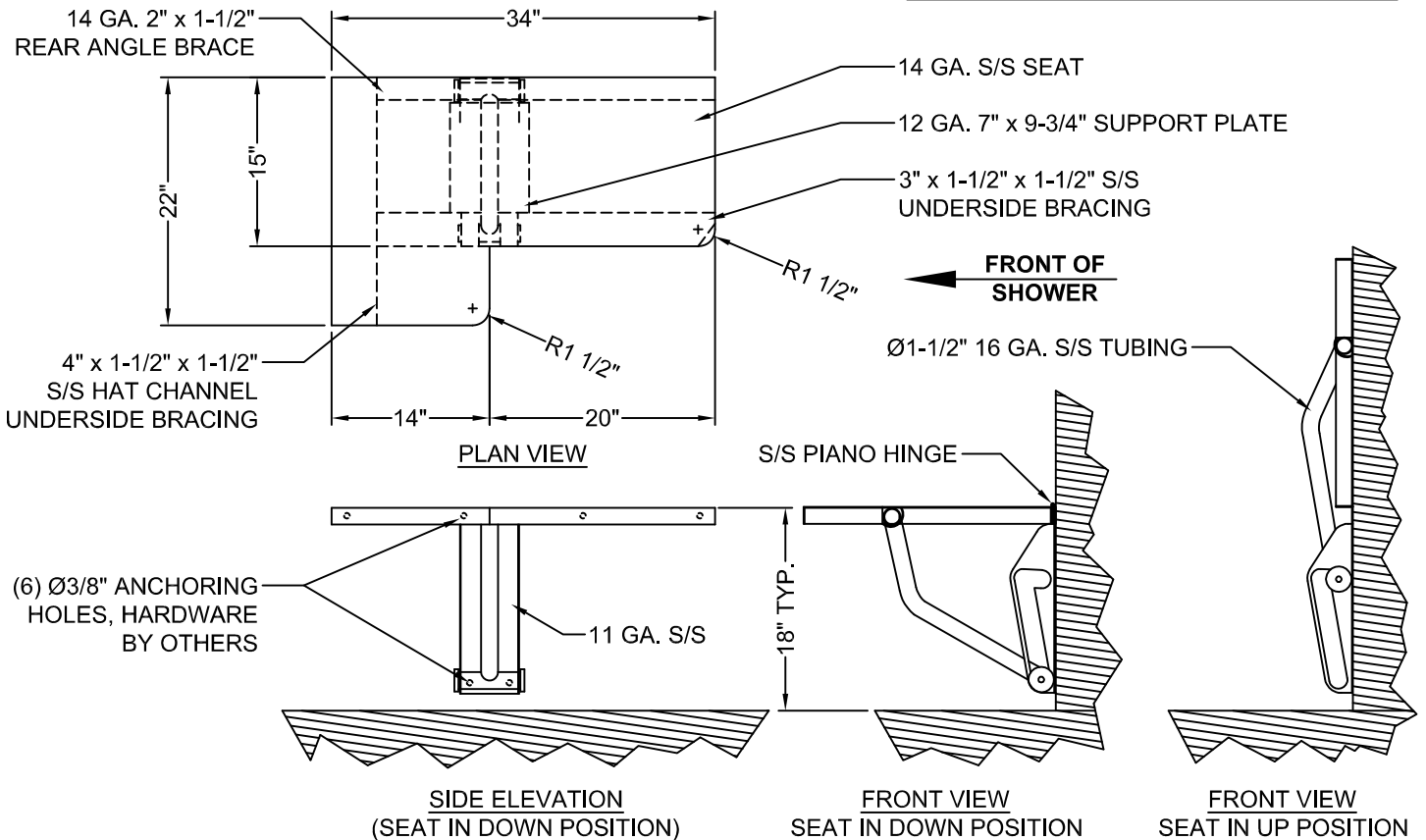
FSS _____ folding shower seat shall be fabricated from Type 304 stainless steel. Seating surface and flanges polished to a #3 satin finish. Folding shower seat provides sturdy seating for users of handicapped shower facilities and can be easily folded up when not in use.

Wall anchors and fasteners by others.

 IN COMPLIANCE WITH A.D.A. 2010

RIGHT HAND SHOWN; LEFT HAND IS SYMMETRICALLY OPPOSITE

NOTE: FOLDING SEAT MUST MOUNT 1" OUT FROM BACK WALL TO AVOID GRAB BAR INTERFERENCE



visit our website at www.willoughby-ind.com
 5105 West 78th Street • Indianapolis, IN. 46268
 (317) 875-0830 • Fax: (317) 875-0837 • (800) 428-4065



MADE IN THE U.S.A.