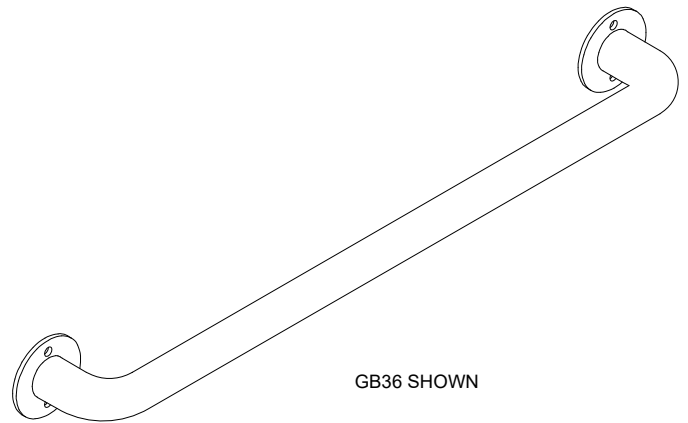


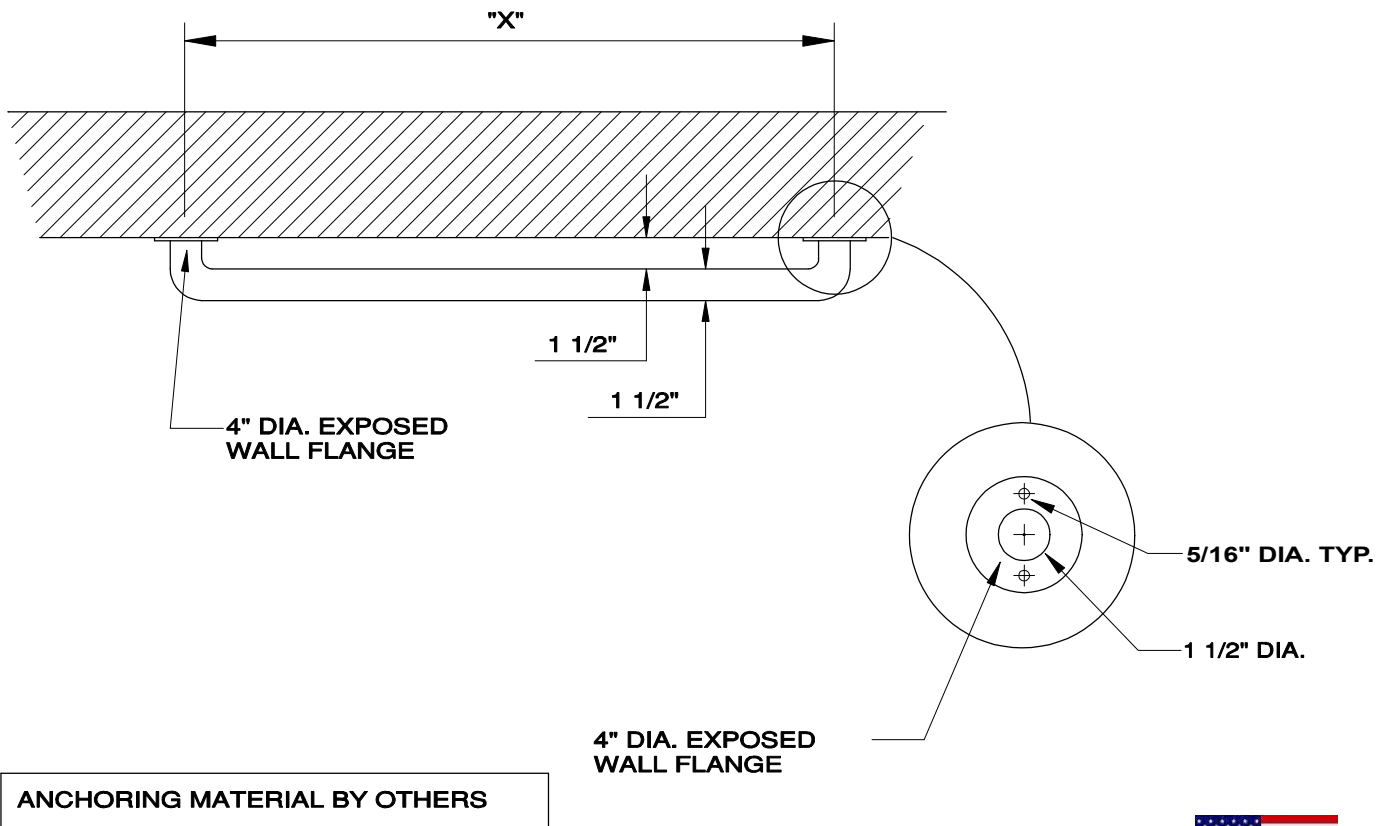
## GB Series Grab Bars

✓	MODEL NUMBER	GRAB BAR LENGTH ("X")
	GB18	18"
	GB24	24"
	GB30	30"
	GB36	36"
	GB42	42"
	GB48	48"
	GB3318	33" X 18"



**GB** \_\_\_\_ grab bars shall be fabricated from Type 304 stainless steel. Exposed stainless steel surfaces shall be polished to a #3 satin finish. Standard flange configuration is exposed. Grab bar fasteners and wall anchors by others.

Various configurations are available.



visit our website at [www.willoughby-ind.com](http://www.willoughby-ind.com)  
 5105 West 78th Street • Indianapolis, IN. 46268  
 (317) 875-0830 • Fax: (317) 875-0837 • (800) 428-4065



MADE IN THE U.S.A.