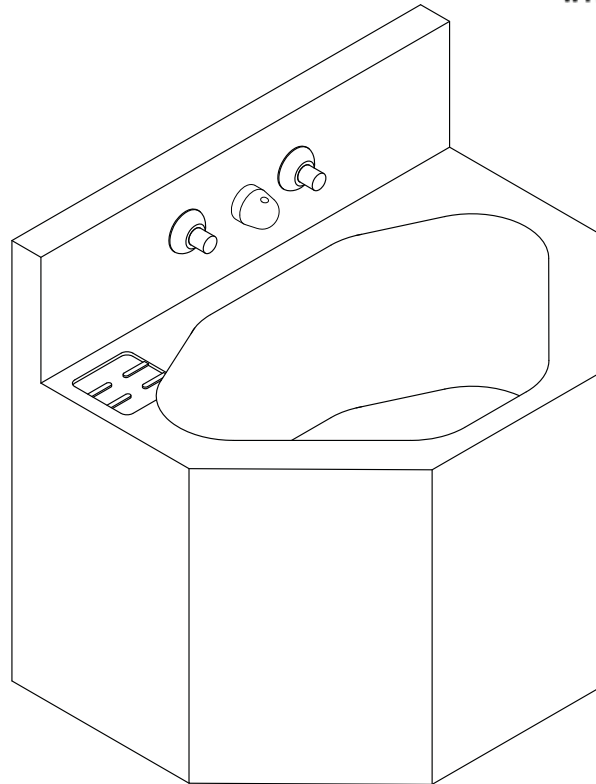


HS-1013-46-15-RPF Replacement 15" Wide Lavatory



(Unit may be shown with optional features)

Recommended Specifications

Replacement 15" Wide Lavatory shall be:
Willoughby Model No. **HS-1013-46-15-RPF**

Fixture shall be fabricated from 14 GA., Type 304 stainless steel. The construction shall be all welded, with exposed surfaces polished to a #3 satin finish.

Standard lavatory shall include:

- Multi-sided bowl, 12-3/4" x 8-1/4" x 5" deep
- Stainless steel penal bubbler/filler
- Fast drain with air vent
- Elbow waste (1-1/2" F.I.P.)
- Self-draining soap dish

Cabinet interior shall be sound deadened with fire-resistant material.

Anchoring shall be by standard 4-point system: threaded rods, nuts and washers shall be furnished for walls up to 8" thick. Unit shall require chase area for installation and maintenance.

visit our website at www.willoughby-ind.com

5105 West 78th Street • Indianapolis, IN. 46268
(317) 875-0830 • Fax: (317) 875-0837 • (800) 428-4065



MADE IN THE U.S.A.

MODEL NUMBER AND OPTIONS:

1.) Base Model Number:

HS-1013-46-15-RPF Replacement 15" Wide Lavatory

2.) Bubbler or Spout Selection:

- BP Penal Bubbler/Filler
- BC Code Bubbler/Filler
- BPH Ligature-resistant Bubbler/Filler
- FL Lavatory Filler
- FLH Ligature-resistant Lavatory Filler

3.) Lavatory Valve Selection:

- NV No Valve (Select Hole Punching if needed)
- PSL1 Single Temp. Pneumatic Non-metering
- PSL2 Dual Temp. Pneumatic Non-metering
- PML1 Single Temp. Pneumatic Metering
- PML2 Dual Temp. Pneumatic Metering
- E1L1 Single Temp. Electronic (pick control)*
- E1L2 Dual Temp. Electronic (pick control)*

Valve Manifold Options:

Pneumatic or Electronic Only:
 MA2 MA3 MA4

4.) Lavatory Valve Actuation:

- PPB Pneumatic Push Buttons
- PBH Ligature-resistant Push Buttons
- EPB Electronic Push Buttons*
- EPBH Ligature-resistant Electronic Push Buttons*
- PZPB Piezo Push Buttons*

5.) Electronic Controls* (Must Use Electronic Push Button):

WUCC-3010 Pneutronic WMSII
 (The WUCC-3010 Control can be used to pair a Sink with a Toilet)

6.) Push Button Hole Punching:

If Less-Lavatory Valve, please specify push button hole sizes and locations on fixture backplash:
 SP: _____

7.) Lavatory Waste:

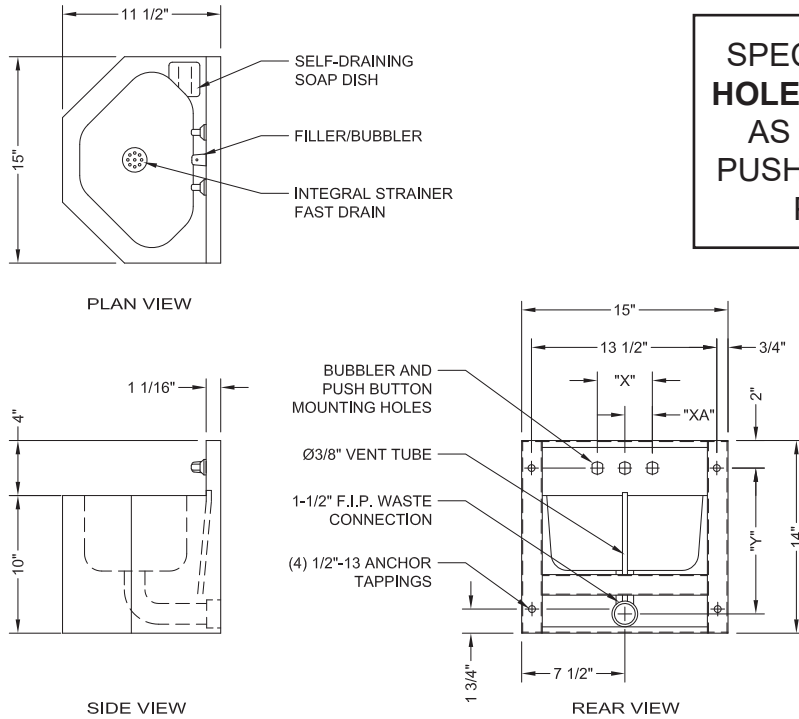
- EB Elbow Waste (Standard)
- PT Integral 'P'-Trap
- LWL Lavatory Waste Extension
- SLOW Slow Drain
- LW1 Thru-Wall Extension, 'P'-Trap
- LW2 Thru-Wall Extension and Clean-Out (Use w/"PT" Option)

8.) Options:

- MT Wall Template
 - TB1 Single Toothbrush Holder
 - Right Left
 - TB2 Dual Toothbrush Holder
 - Right Left
 - TH1 Single Towel Hook
 - Right Left
 - TH2 Dual Towel Hook
 - Right Left
 - ISH Integral Shelf
 - VG Ventilation Grille (Specify Location and Free Area)
 - TF24H Hard-wired Transformer, 110VAC to 24VAC*
 - TF24P Plug-in Transformer, 110VAC to 24VAC*
 - Other: _____
 - Other: _____
- *(Req. 110V power through ground fault interrupter (GFCI) receptacle)

Approved For Manufacturing By: _____ Date: _____ Company: _____
 Wall Thickness: _____ Wall Type: _____

VERIFY ALL DIMENSIONS WITH FACTORY PRIOR TO ROUGH-IN
 WILLOUGHBY RESERVES THE RIGHT TO MAKE CHANGES IN DESIGN AND DIMENSIONS WITHOUT FORMAL NOTICE AND WITHOUT INCURRING OBLIGATION.



SPECIFY X, XA, Y, & HOLE Ø DIMENSIONS AS NEEDED FOR PUSH BUTTON HOLE PUNCHING

visit our website at www.willoughby-ind.com
 5105 West 78th Street • Indianapolis, IN. 46268
 (317) 875-0830 • Fax: (317) 875-0837 • (800) 428-4065



MADE IN THE U.S.A.