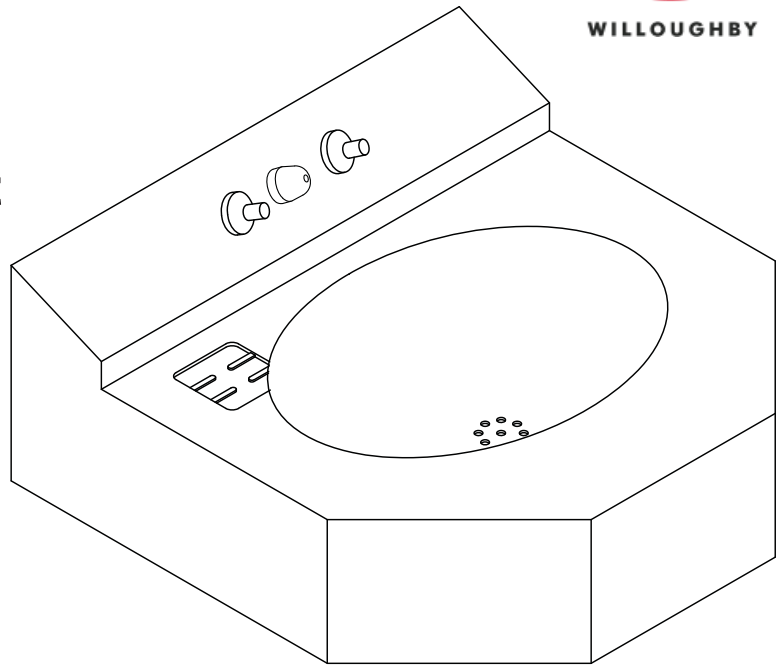




## HS-1013-46-HC 18" Wide Rear Mounted Handicap-ADA Compliant Lavatory



*(Unit may be shown with optional features)*

To specify fixture and accessories, use the Model Number and Options page.

Example: To specify an 18" Wide, Rear Mounted, Handicap-ADA Compliant Lavatory with security penel filler/bubbler, dual temp. pneumatic metering valve, pneumatic push buttons, elbow waste, and single towel hook

Use the following Willoughby Model Number:

**HS-1013-46-HC-SBP-PML2-PPB-EB-TH1**

### Recommended Specifications

18" Wide, Rear Mounted, Handicap-ADA Compliant Lavatory shall be: Willoughby Model No. **HS-1013-46-HC**  
(Select from model number and options list on next page)

Fixture shall be fabricated from 14 GA., Type 304 stainless steel. The construction shall be all welded, with exposed stainless surfaces polished to a #4 satin finish.

Standard lavatory shall include:

- Oval-shaped bowl, 13" x 9-1/2" x 6" deep
- Stainless steel penel bubbler/filler
- Fast drain with air vent
- Elbow waste (1-1/2" F.I.P.)
- Self-draining soap dish

Cabinet interior shall be sound deadened with fire-resistant material.

Anchoring shall be by standard 4-point system: threaded rods, nuts and washers shall be furnished for walls up to 8" thick. Unit shall require chase area for installation and maintenance.

visit our website at [www.willoughby-ind.com](http://www.willoughby-ind.com)

5105 West 78th Street • Indianapolis, IN. 46268

(317) 875-0830 • Fax: (317) 875-0837 • (800) 428-4065



MADE IN THE U.S.A.

# MODEL NUMBER AND OPTIONS:

## 1.) Base Model Number:

- HS-1013-46-HC 18" Wide, Rear Mounted, Handicap-ADA Compliant Lavatory

## 2.) Bubblers Selection:

- SBP Security Penal Bubbler/Filler (Standard)  
 SBC Security Code Bubbler/Filler  
 SBPH Security Ligature-resistant Penal Bubbler/Filler

## 3.) Lavatory Valve Selection:

- NV No Valve  
 PML1 Single Temp. Pneumatic Metering  
 PML2 Dual Temp. Pneumatic Metering  
 E1L1 Single Temp. Electronic (pick control)\*  
 E1L2 Dual Temp. Electronic (pick control)\*

### Valve Manifold Options:

- Pneumatic or Electronic Only:*  
 MA2  MA3  MA4

## 4.) Lavatory Valve Actuation:

- PPB Pneumatic Push Buttons  
 PBH Ligature-resistant Push Buttons  
 EPB Electronic Push Buttons\*  
 EPBH Ligature-resistant Electronic Push Buttons\*  
 PZPB Piezo Electronic Push Buttons\*

## 5.) Electronic Controls\* (Must Use Electronic Push Button):

- WUCC-3010  Pneutronic  WMSII  
 (The WUCC-3010 Control can be used to pair a Lavatory with a Toilet)

## 6.) Lavatory Waste:

- EB Elbow Waste (Standard)  
 PT Integral 'P'-Trap  
 LWL Lavatory Waste Extension  
 OV Lavatory Overflow  
 SLOW Slow Drain  
 LW1 Thru-Wall Extension, 'P'-Trap  
 LW2 Thru-Wall Extension and Clean-Out

## 7.) Options:

- MT Wall Template  
 TB1 Single Toothbrush Holder  
      Right  Left  
 TB2 Dual Toothbrush Holder  
      Right  Left  
 TF24H Hard-wired Transformer, 110VAC to 24VAC\*  
 TF24P Plug-in Transformer, 110VAC to 24VAC\*  
 TH1 Single Towel Hook  
      Right  Left  
 TH2 Dual Towel Hook  
      Right  Left  
 WS Wall Sleeve (Requires Accessible Chase)  
 PSL1-DMB Deck Mounted Bubbler/Filler\*\*  
 PSL1-DMBH Ligature-resistant DM Bubbler/Filler\*\*  
     \*\*(Panel Mounted Push Button)

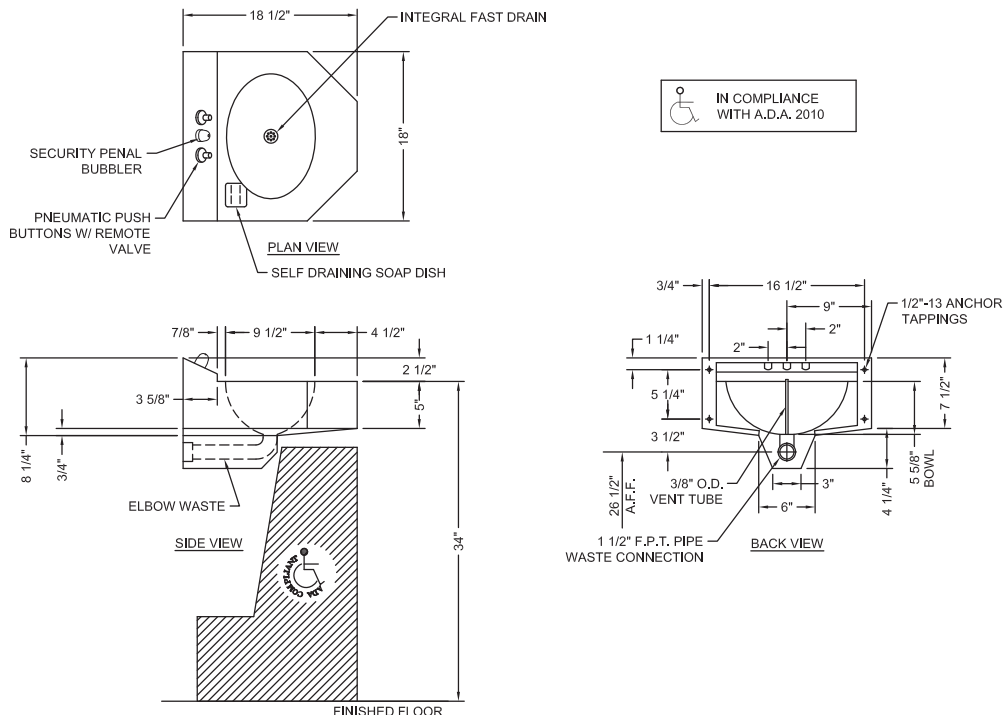
Other: \_\_\_\_\_

Other: \_\_\_\_\_

\*(Req. 110V power through ground fault interrupter (GFCI) receptacle)

Approved For Manufacturing By: \_\_\_\_\_ Date: \_\_\_\_\_ Company: \_\_\_\_\_  
 Wall Thickness: \_\_\_\_\_ Wall Type: \_\_\_\_\_

**VERIFY ALL DIMENSIONS WITH FACTORY PRIOR TO ROUGH-IN**  
 WILLOUGHBY RESERVES THE RIGHT TO MAKE CHANGES IN DESIGN AND DIMENSIONS WITHOUT FORMAL NOTICE AND WITHOUT INCURRING OBLIGATION.



IN COMPLIANCE WITH A.D.A. 2010

visit our website at [www.willoughby-ind.com](http://www.willoughby-ind.com)  
 5105 West 78th Street • Indianapolis, IN. 46268  
 (317) 875-0830 • Fax: (317) 875-0837 • (800) 428-4065



MADE IN THE U.S.A.