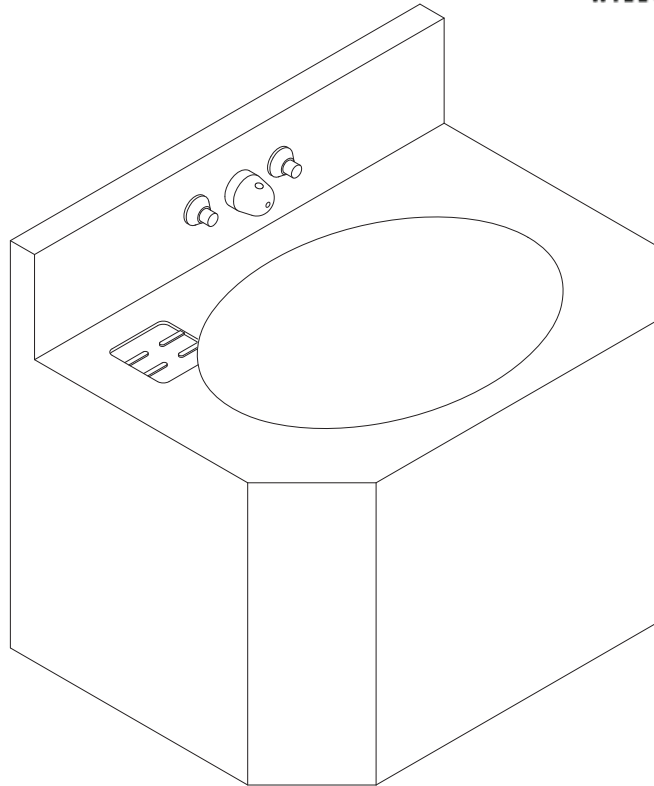


HS-1013-96-RPF Replacement 18" Wide Lavatory



(Unit may be shown with optional features)

Recommended Specifications

Replacement 18" Wide Lavatory shall be:
Willoughby Model No. **HS-1013-96-RPF**

Fixture shall be fabricated from 14 GA, Type 304 stainless steel. The construction shall be all welded, with exposed stainless surfaces polished to a #3 satin finish.

Standard lavatory shall include: oval-shaped bowl, 13" x 9-1/2" x 6" deep, stainless steel penal filler/bubbler, fast drain with air vent, elbow waste (1-1/2" F.I.P.) and self-draining soap dish.

Cabinet interior shall be sound deadened with fire-resistant material.

Anchoring shall be by standard 4-point system: threaded rods, nuts and washers shall be furnished for walls up to 8" thick. Unit shall require chase area for installation and maintenance.

visit our website at www.willoughby-ind.com

5105 West 78th Street • Indianapolis, IN. 46268
(317) 875-0830 • Fax: (317) 875-0837 • (800) 428-4065



MADE IN THE U.S.A.

MODEL NUMBER AND OPTIONS:

1.) Base Model Number:

- HS-1013-96-RPF Replacement 18" Wide Lavatory

2.) Bubbler or Spout Selection:

- BP Penal Bubbler/Filler
 BC Code Bubbler/Filler
 BPH Ligature-resistant Bubbler/Filler
 FL Lavatory Filler
 FLH Ligature-resistant Lavatory Filler

3.) Lavatory Valve Selection:

- NV No Valve (Select Hole Punching if needed)
 PSL1 Single Temp. Pneumatic Non-metering
 PSL2 Dual Temp. Pneumatic Non-metering
 PML1 Single Temp. Pneumatic Metering
 PML2 Dual Temp. Pneumatic Metering
 E1L1 Single Temp. Electronic (pick control)*
 E1L2 Dual Temp. Electronic (pick control)*

Valve Manifold Options:

Pneumatic or Electronic Only:

- MA2 MA3 MA4

4.) Lavatory Valve Actuation:

- PPB Pneumatic Push Buttons
 PBH Ligature-resistant Push Buttons
 EPB Electronic Push Buttons*
 EPBH Ligature-resistant Electronic Push Buttons*
 PZPB Piezo Push Buttons*

5.) Electronic Controls* (Must Use Electronic Push Button):

- WUCC-3010 Pneutronic WMSII
 (The WUCC-3010 Control can be used to pair a Sink with a Toilet)

6.) Push Button Hole Punching:

If Less-Lavatory Valve, please specify push button hole sizes and locations on fixture backplash:
 SP: _____

7.) Lavatory Waste:

- EB Elbow Waste (Standard)
 PT Integral 'P'-Trap
 LWL Lavatory Waste Extension
 SLOW Slow Drain
 LW1 Thru-Wall Extension, 'P'-Trap
 LW2 Thru-Wall Extension and Clean-Out (Use w/"PT" Option)

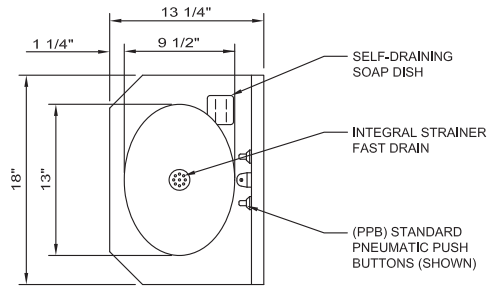
8.) Options:

- MT Wall Template
 TB1 Single Toothbrush Holder
 Right Left
 TB2 Dual Toothbrush Holder
 Right Left
 TH1 Single Towel Hook
 Right Left
 TH2 Dual Towel Hook
 Right Left
 ISH Integral Shelf
 VG Ventilation Grille (Specify Location and Free Area)
 TF24H Hard-wired Transformer, 110VAC to 24VAC*
 TF24P Plug-in Transformer, 110VAC to 24VAC*
 Other: _____
 Other: _____

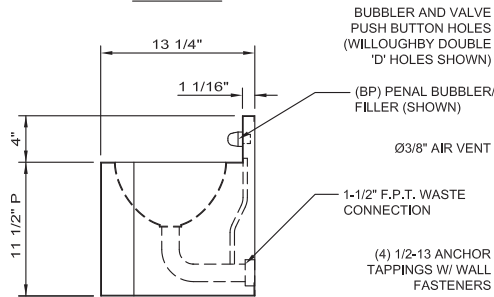
*(Req. 110V power through ground fault interrupter (GFCI) receptacle)

Approved For Manufacturing By: _____ Date: _____ Company: _____
 Wall Thickness: _____ Wall Type: _____

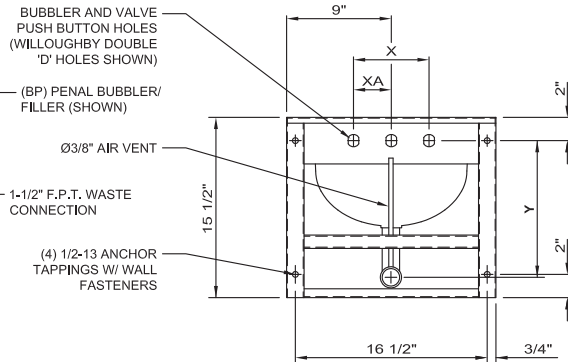
VERIFY ALL DIMENSIONS WITH FACTORY PRIOR TO ROUGH-IN
 WILLOUGHBY RESERVES THE RIGHT TO MAKE CHANGES IN DESIGN AND DIMENSIONS WITHOUT FORMAL NOTICE AND WITHOUT INCURRING OBLIGATION.



PLAN VIEW



SIDE VIEW



REAR VIEW

SPECIFY X, XA, Y, & HOLE Ø DIMENSIONS AS NEEDED FOR PUSH BUTTON HOLE PUNCHING

visit our website at www.willoughby-ind.com
 5105 West 78th Street • Indianapolis, IN. 46268
 (317) 875-0830 • Fax: (317) 875-0837 • (800) 428-4065



MADE IN THE U.S.A.