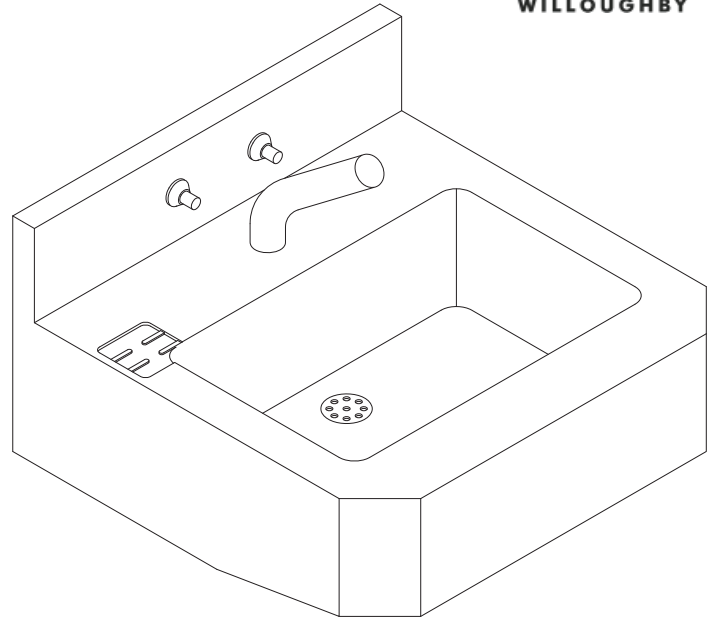


HS-1014-96-HC 18" Wide Rear Mounted Handicap-ADA Compliant Rectangular Bowl Lavatory



(Unit may be shown with optional features)

To specify fixture and accessories, use the Model Number and Options page.
Example: To specify an 18" Wide, Rear Mounted, Handicap-ADA Compliant, Rectangular Bowl Lavatory with dual temp. pneumatic metering valve, pneumatic push buttons, deck mounted spout, standard elbow waste, and wall sleeve
Use the following Willoughby Model Number:
HS-1014-96-HC-PML2-PPB-DMS-EB-WS

Recommended Specifications

18" Wide, Rear Mounted, Handicap-ADA Compliant, Rectangular Bowl Lavatory shall be:
Willoughby Model No. **HS-1014-96-HC**
(Select from model number and options list on next page)

Fixture shall be fabricated from 14 GA., Type 304 stainless steel. The construction shall be all welded, with exposed stainless surfaces polished to a #4 satin finish.

Standard lavatory shall include:

- Rectangular-shaped bowl, 14-1/2" x 9-1/2" x 5-1/2" deep
- Fast drain with air vent
- Elbow waste (1-1/2" F.I.P.)
- Self-draining soap dish

Cabinet interior shall be sound deadened with fire-resistant material.

Anchoring shall be by standard 4-point system: threaded rods, nuts and washers shall be furnished for walls up to 8" thick. Unit shall require chase area for installation and maintenance.

Note: Only deck mounted Willoughby lavatory spouts and filler/bubblers are available with this lavatory model.

MODEL NUMBER AND OPTIONS:

1.) Base Model Number:

- HS-1014-96-HC 18" Wide, Rear Mounted, Handicap-ADA Compliant, Rectangular Bowl Lavatory

2.) Spout/Bubbler Selection:

- DMS Deck Mounted Spout
 DMB Deck Mounted Bubbler
 DMBH Ligature-resistant Deck Mounted Bubbler

3.) Lavatory Valve Selection:

- NV No Valve (Select Hole Punching if needed)
 PML1 Single Temp. Pneumatic Metering
 PML2 Dual Temp. Pneumatic Metering
 E1L1 Single Temp. Electronic (pick control)*
 E1L2 Dual Temp. Electronic (pick control)*

Valve Manifold Options:

- Pneumatic or Electronic Only:*
 MA2 MA3 MA4

4.) Lavatory Valve Actuation:

- PPB Pneumatic Push Buttons
 PBH Ligature-resistant Push Buttons
 EPB Electronic Push Buttons*
 EPBH Ligature-resistant Electronic Push Buttons*
 PZPB Piezo Electronic Push Buttons*

5.) Electronic Controls* (Must Use Electronic Push Button):

- WUCC-3010 Pneutronic WMSII
 (The WUCC-3010 Control can be used to pair a Lavatory with a Toilet)

6.) Hole Punching:

- 4CC 4" Centerset, Ø1" Holes (Specify 2 or 3 holes: ___)
 8CC 8" Centerset, Ø1" Holes (Specify 2 or 3 holes: ___)
 1CC Center Shank, (1) Ø1" Hole
 SP Special Punching (Specify hole punching dim.)
 SP: _____

7.) Lavatory Waste:

- EB Elbow Waste (Standard)
 PT Integral 'P'-Trap
 LWL Lavatory Waste Extension
 OV Lavatory Overflow
 SLOW Slow Drain
 LW1 Thru-Wall Extension, 'P'-Trap
 LW2 Thru-Wall Extension and Clean-Out

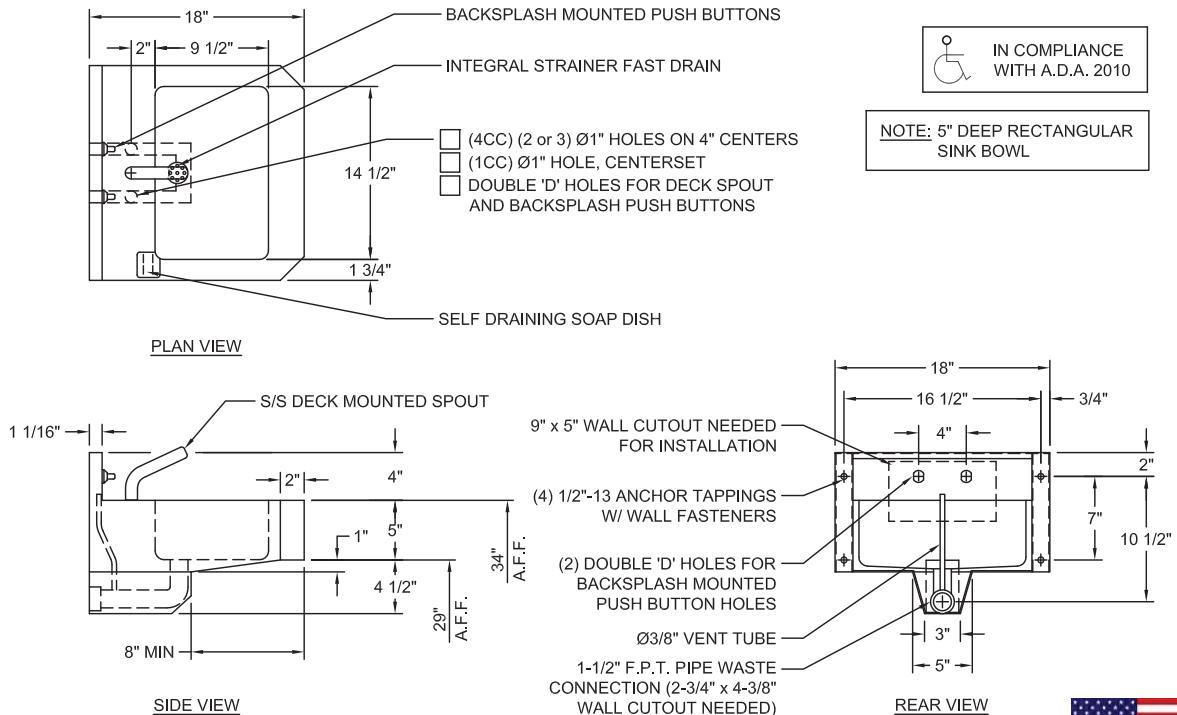
8.) Options:

- MT Wall Template
 TB1 Single Toothbrush Holder
 Right Left
 TB2 Dual Toothbrush Holder
 Right Left
 TF24H Hard-wired Transformer, 110VAC to 24VAC*
 TF24P Plug-in Transformer, 110VAC to 24VAC*
 TH1 Single Towel Hook
 Right Left
 TH2 Dual Towel Hook
 Right Left
 DC Decorator Color (Fixture exterior only - White)
 WS Wall Sleeve (Requires Accessible Chase)
 ISH Integral Shelf
 VG Ventilation Grille (Specify Location and Free Area)
 Other: _____
 Other: _____

*(Req. 110V power through ground fault interrupter (GFCI) receptacle)

Approved For Manufacturing By: _____ Date: _____ Company: _____
 Wall Thickness: _____ Wall Type: _____

VERIFY ALL DIMENSIONS WITH FACTORY PRIOR TO ROUGH-IN
 WILLOUGHBY RESERVES THE RIGHT TO MAKE CHANGES IN DESIGN AND DIMENSIONS WITHOUT FORMAL NOTICE AND WITHOUT INCURRING OBLIGATION.



IN COMPLIANCE WITH A.D.A. 2010

NOTE: 5" DEEP RECTANGULAR SINK BOWL

visit our website at www.willoughby-ind.com
 5105 West 78th Street • Indianapolis, IN. 46268
 (317) 875-0830 • Fax: (317) 875-0837 • (800) 428-4065



MADE IN THE U.S.A.