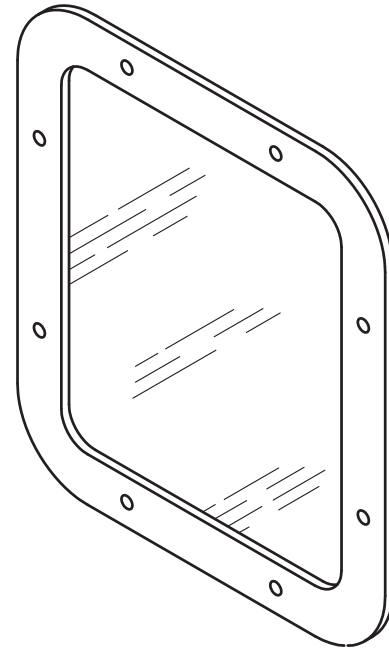


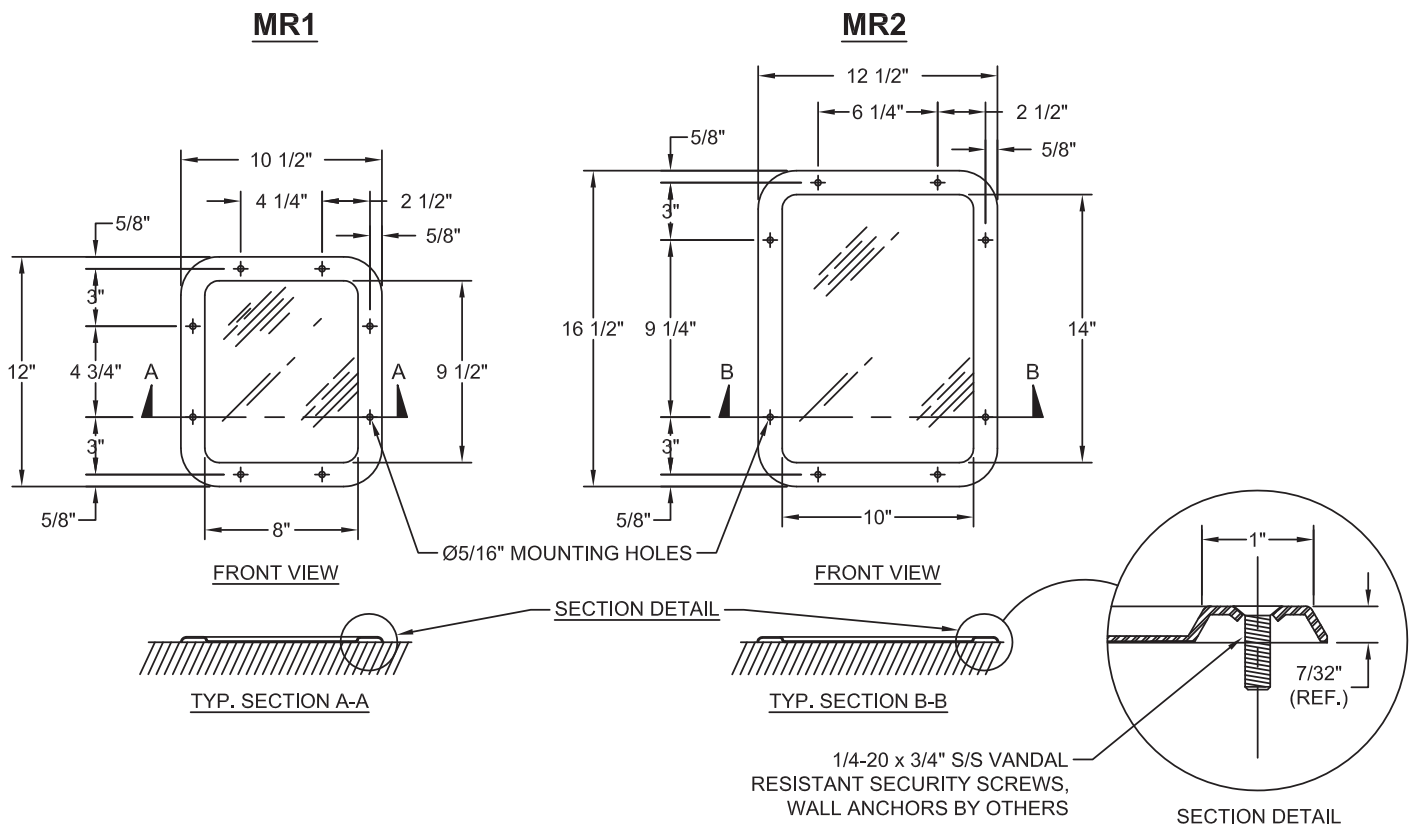
## MR Series Front Access Security Mirror

✓	MODEL NUMBER	HEIGHT	WIDTH
	MR1	12"	10 1/2"
	MR2	16 1/2"	12 1/2"
	EM1 (OPTIONAL)	MOUNTING FRAME FOR MR1	
	EM2 (OPTIONAL)	MOUNTING FRAME FOR MR2	



**MR** \_\_\_ mirror with integral frame shall be die formed 16 gauge 304 series stainless steel, polished to a #8 non-directional mirror finish. Anchoring shall be by standard 8-point mounting. Vandal-resistant security screws provided with the mirror. Wall anchors provided by others.

Optional in-wall embedded mounting plate is available. For optional embedded mounting plate, specify EM1 or EM2 to correspond with above mirror size.



visit our website at [www.willoughby-ind.com](http://www.willoughby-ind.com)  
 5105 West 78th Street • Indianapolis, IN. 46268  
 (317) 875-0830 • Fax: (317) 875-0837 • (800) 428-4065



MADE IN THE U.S.A.