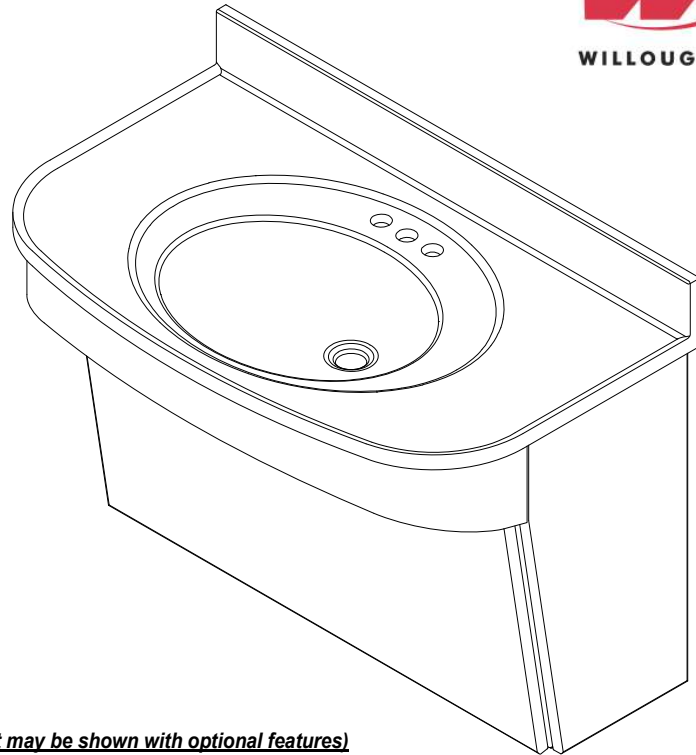


## PWS Series Patient Wash Station



IN COMPLIANCE  
WITH A.D.A. 2010

*(Unit may be shown with optional features)*

To specify fixture and accessories, use the Model Number and Options page.

Example: To specify a Patient Wash Station with an Arctic White cabinet, Grey Granite countertop, and 4CC 10" Gooseneck, Wrist Blade Handle Faucet

Use the following Willoughby Model Number:

**PWS37-AW-GG-WB**

### Recommended Specifications

Patient Wash Station shall be:  
Willoughby Model No. **PWS-\_\_\_\_**  
(select from model number and options list on next page)

ADA compliant wash station shall be wall mounted and manufactured from Type 304 stainless steel and solid polymer panels with Willoughby Aquasurf® Solid Surface cast countertop with integral lavatory bowl.

Standard features include:

- Cabinet exterior finished in solid polymer
- Aquasurf® Solid Surface countertop and lavatory
- Lavatory integral to countertop
- Fully welded stainless steel frame

#### Cabinet

Cabinet framework is formed and welded Type 304 stainless steel with interior satin finish. Exterior attached fixed panels are solid polymer, which is moisture resistant and non-porous. Front access cabinet shall have a single fixed panel. The edge finishes are smooth and rounded over to enhance safety.

Anchoring of the cabinet shall be with surface mounted 'Z' clips and screw anchors through cabinet into vertical wall supports (by others).

#### Lavatory

Aquasurf® Solid Surface lavatory is a cast component manufactured of alumina-trihydrate and resin. The lavatory unit is comprised of a cast deck with an integral bowl.

Aquasurf® Solid Surface 22" deep countertop deck with an integral 12-1/2" x 17-1/2" lavatory sink including depressed soap ledge. Cast lavatory deck shall have an integral coved backsplash and round-over finished edge.

Deck mounted faucets are available optionally (select from model number and options list on next page).



# MODEL NUMBER AND OPTIONS:

**1.) Wash Station Model Number:**

PWS37 Patient Wash Station, 37" Cabinet

**2.) Cabinet (Exterior Polymer-Indicate Color):**

- AW Arctic White
- WW White/White
- LG Light Grey
- SN Sansshade (Almond)
- SM Seafoam
- DG Dolphin Grey

**3.) Solid Surface Colors:**

- BN Bone
- GW Glacier White
- GG Gray Granite
- SS Sandstone
- WG White Granite
- BG Black Granite
- NB Nocturnal Blue
- RC Red Coral
- SG Sea Green

**4.) Hole Drilling Selection (Faucet by Others):**

- NV No Faucet Holes (Standard)
- 4CC 4" Centerset, Ø1-1/4" Holes (Specify 2 or 3 holes:\_\_\_)
- 8CC 8" Centerset, Ø1-1/4" Holes (Specify 2 or 3 holes:\_\_\_)
- 1CC Center Shank, (1) Ø1-1/4" Hole
- SP Special Drilling (Specify hole drilling dim.)  
SP: \_\_\_\_\_

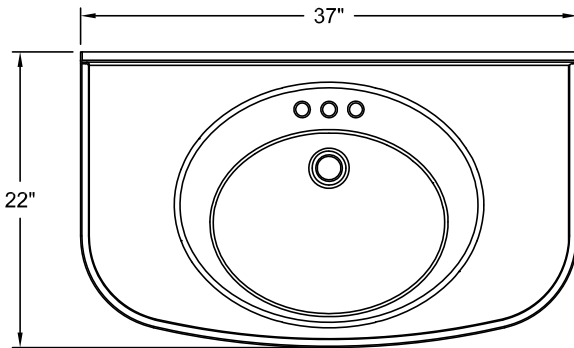
**5.) Faucet:**

- WB 4CC 10" Gooseneck, Wrist Blade Handles
- SSF Gooseneck Sensor Spout, Center Shank, Infrared (Hardwired), Laminar Flow (12v transformer is required)
- SSFB Gooseneck Sensor Spout, Center Shank, Infrared (Battery Operated), Laminar Flow

**6.) Other Options:**

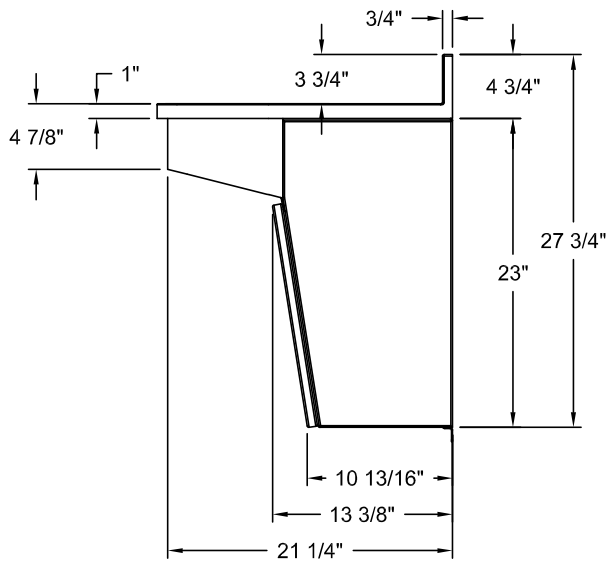
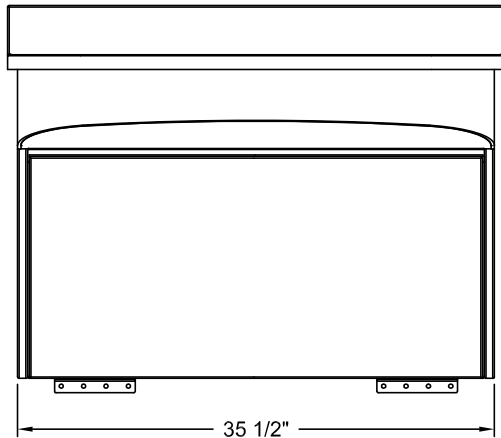
- PTC P-Trap w/ Clean-Out Plug
- TMV Thermostatic Mixing Valve
- LSS 1/2" x 3/8" Lavatory Supply Stops
- TF12PI 12v Plug-in Transformer (SSF faucet only)
- TF12HW 12v Hard-wire Transformer (SSF faucet only)
- Other \_\_\_\_\_
- Other \_\_\_\_\_

Approved For Manufacturing By: \_\_\_\_\_ Date: \_\_\_\_\_ Company: \_\_\_\_\_  
 Wall Thickness: \_\_\_\_\_ Wall Type: \_\_\_\_\_



 IN COMPLIANCE WITH A.D.A. 2010

**VERIFY ALL DIMENSIONS WITH FACTORY PRIOR TO ROUGH-IN**  
 WILLOUGHBY RESERVES THE RIGHT TO MAKE CHANGES IN DESIGN AND DIMENSIONS WITHOUT FORMAL NOTICE AND WITHOUT INCURRING OBLIGATION.



visit our website at [www.willoughby-ind.com](http://www.willoughby-ind.com)  
 5105 West 78th Street • Indianapolis, IN. 46268  
 (317) 875-0830 • Fax: (317) 875-0837 • (800) 428-4065



MADE IN THE U.S.A.