

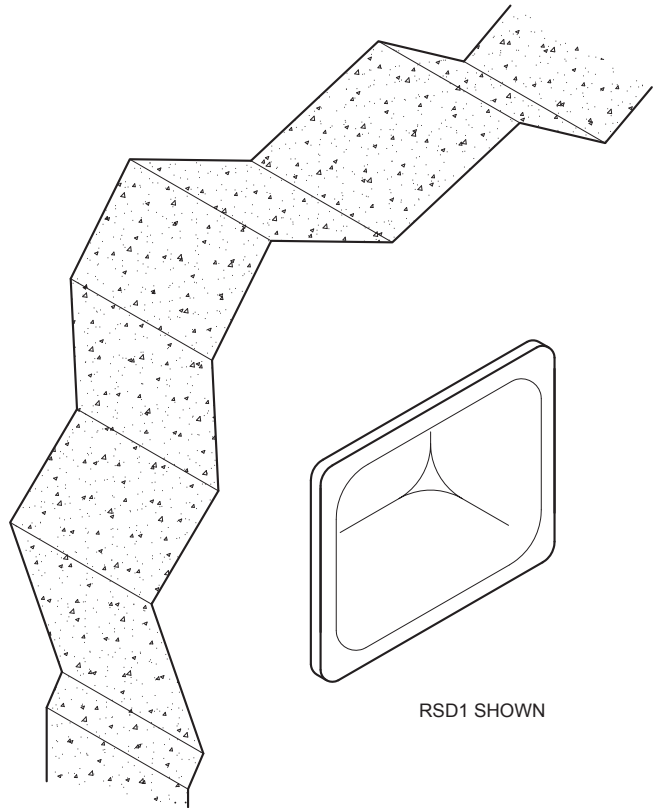
RSD1 Rear Mounted Recessed Soap Dish

RSD1 recessed soap dish shall be 16 gauge, type 304 stainless steel. Unit is one piece construction, tamper-resistant with all exposed surfaces polished to a #4 satin finish. Wide radius corners assure cleanliness.

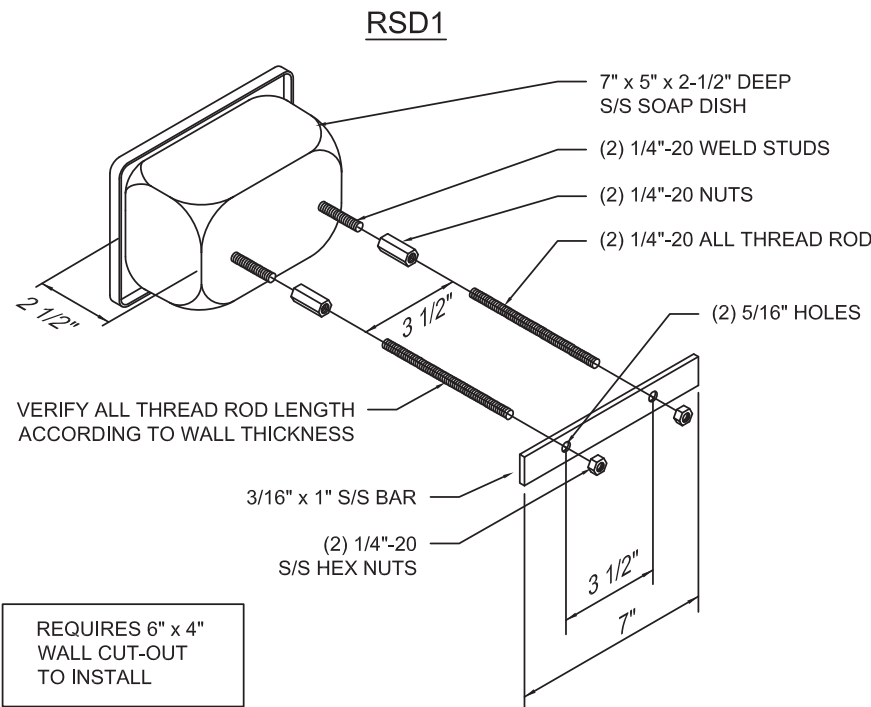
RSD2 Front Mounted Recessed Soap Dish

RSD2 recessed soap dish shall be 16 gauge, type 304 stainless steel. Unit is one piece construction, tamper-resistant with all exposed surfaces polished to a #4 satin finish. Wide radius corners assure cleanliness. Mounting shall be from the front.

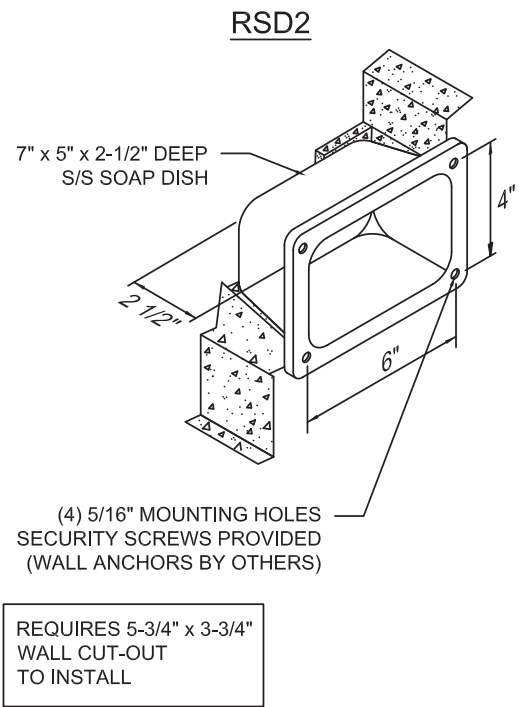
Stainless steel security screws provided, wall anchors by others.



RSD1 SHOWN



REQUIRES 6" x 4" WALL CUT-OUT TO INSTALL



REQUIRES 5-3/4" x 3-3/4" WALL CUT-OUT TO INSTALL

