

RTH1 Rear Mounted Tissue Holder

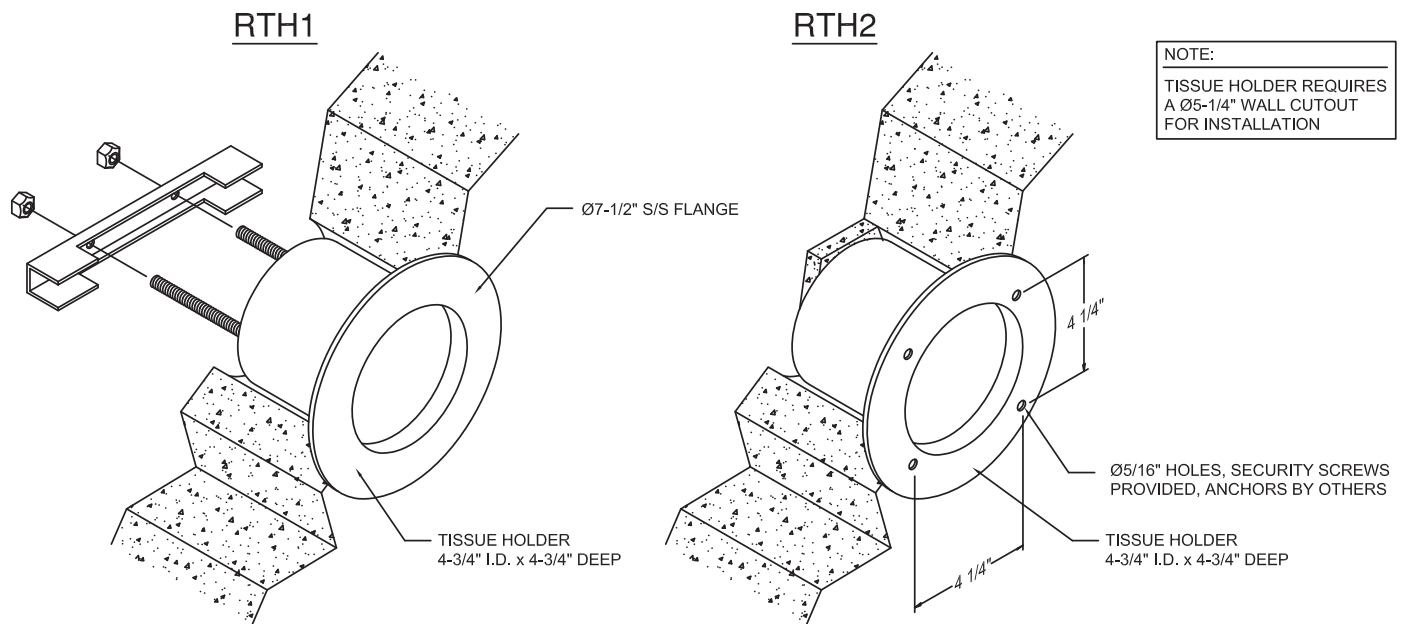
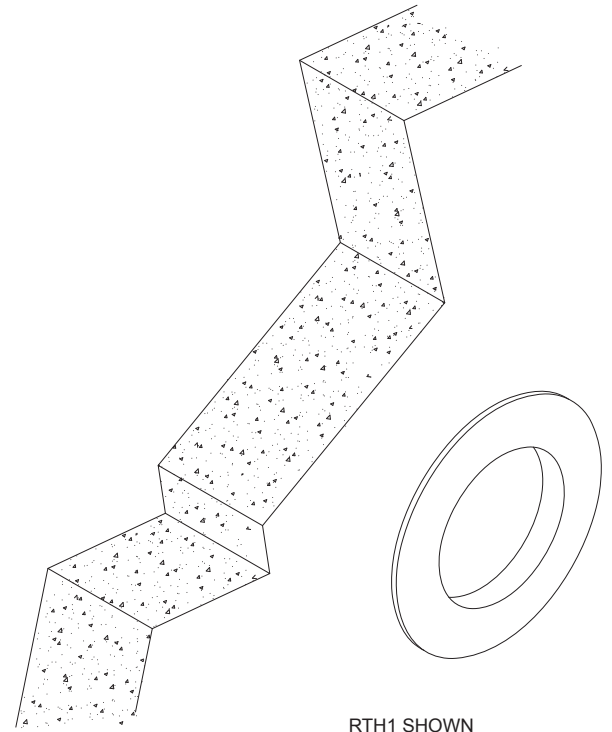
RTH1 recessed toilet tissue holder shall be die-formed of 14 gauge, type 304 stainless steel with an 18 gauge type 304 S/S #4 satin finish exposed flange. Flange edge to be turned back providing a tight fit to wall. Holder shall accommodate a standard roll of tissue, measuring 4-3/4" in diameter and 4-3/4" deep, providing no free area for the concealment of contraband.

Mounting hardware supplied with the tissue holder.

RTH2 Front Mounted Tissue Holder

RTH2 recessed toilet tissue holder shall be die-formed of 14 gauge, type 304 stainless steel with an 18 gauge type 304 s/s #4 satin finish exposed flange. Flange edge to be turned back providing a tight fit to wall. Holder shall accommodate a standard roll of tissue, measuring 4-3/4" in diameter and 4-3/4" deep, providing no free area for the concealment of contraband. Mounting shall be from the front.

Stainless steel security screws provided, wall anchors by others.



visit our website at www.willoughby-ind.com
5105 West 78th Street • Indianapolis, IN. 46268
(317) 875-0830 • Fax: (317) 875-0837 • (800) 428-4065



MADE IN THE U.S.A.